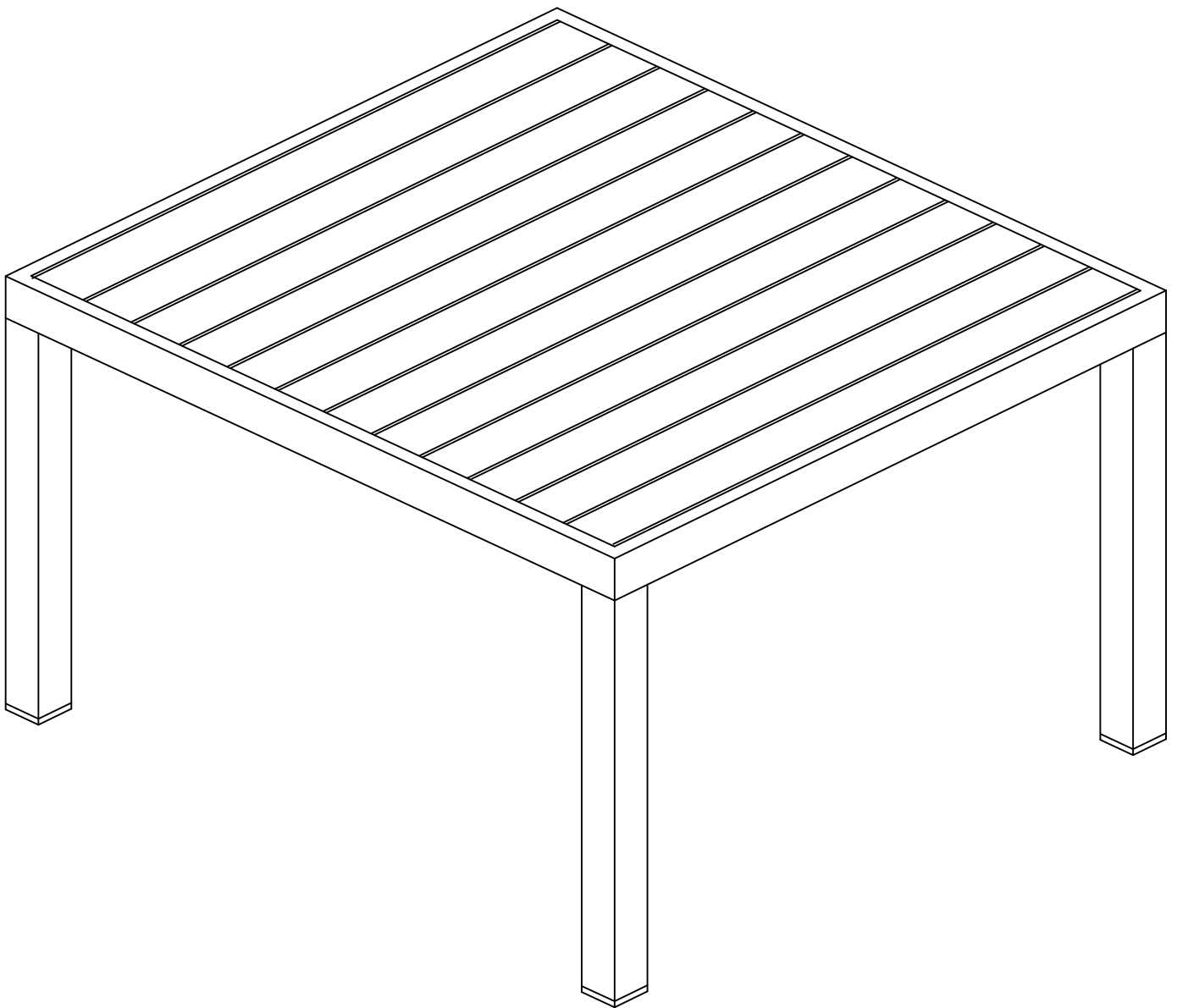


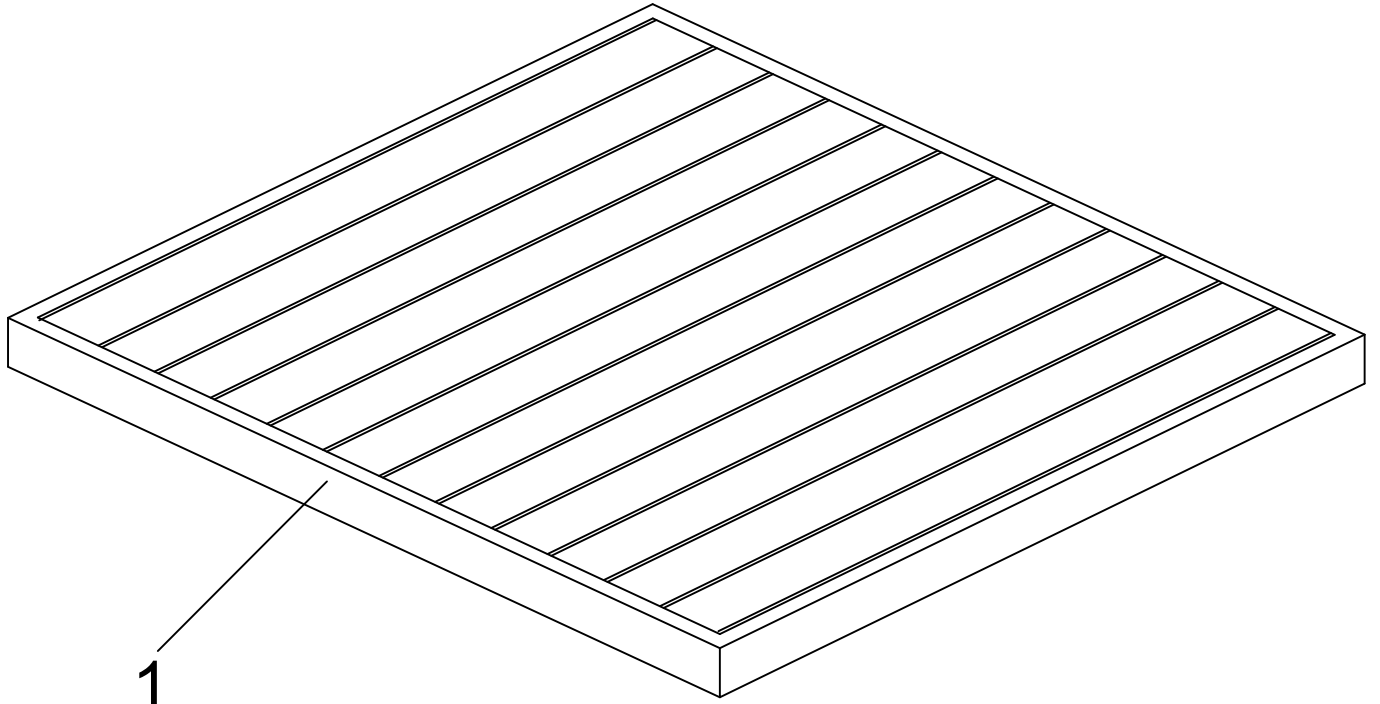
Assembly Manual

Square table

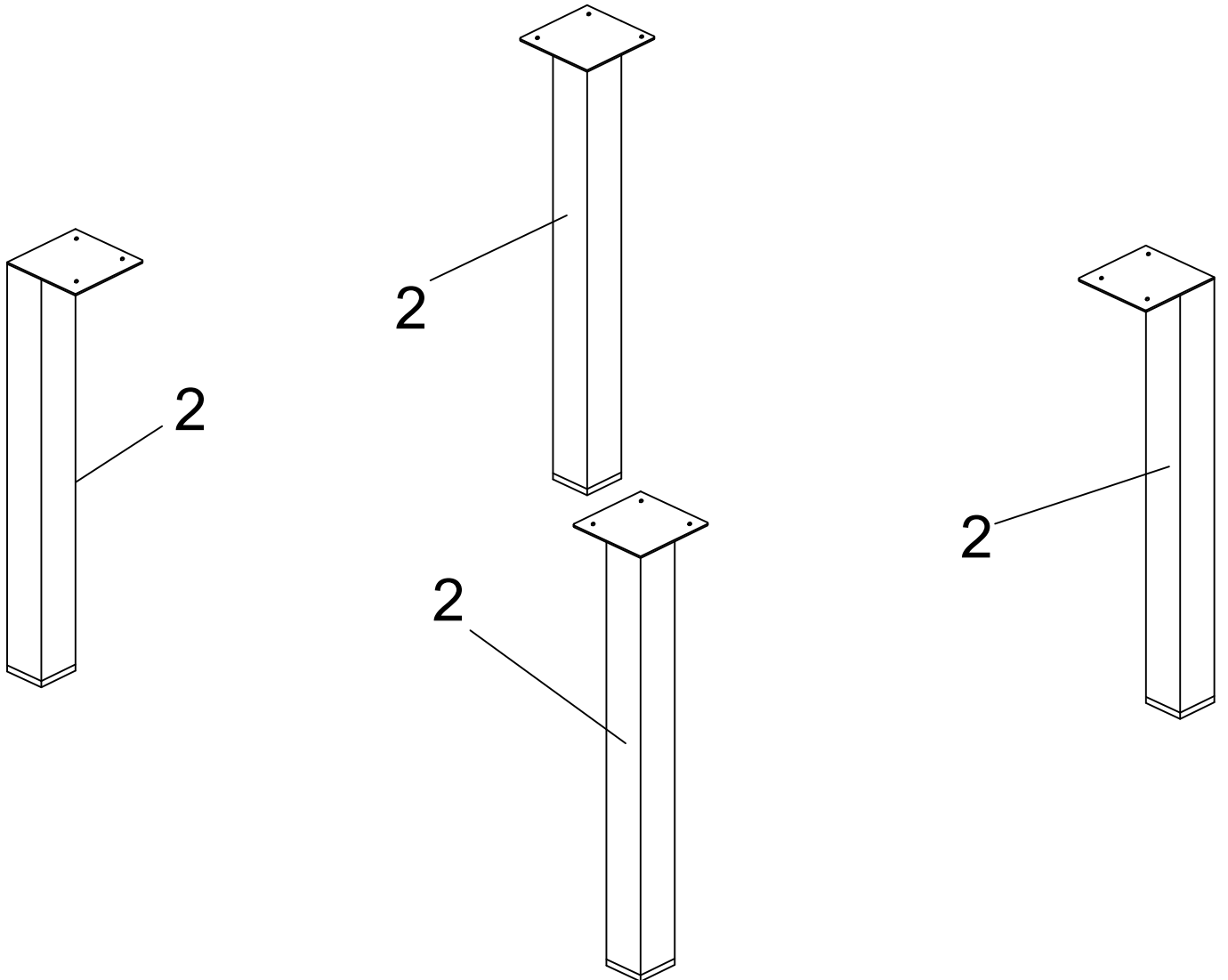


Please read this manual carefully before any operation and keep it properly for future use.
If any problems on our product, please feel free to contact us

Exploded View



1



2

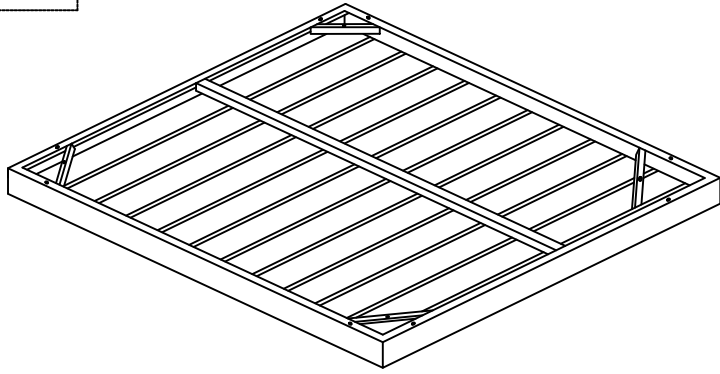
2

2

2

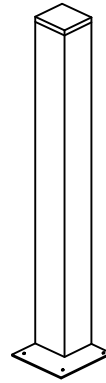
Components List

1



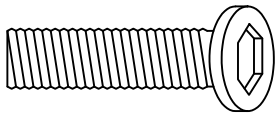
Top 1PC

2



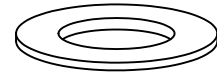
leg 4PCS

3



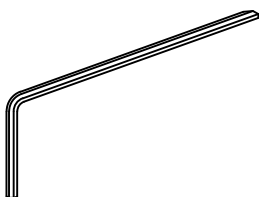
Bolt M6X20 14PCS

4



Washer M6 14PCS

5



Allen wrench M6 1PC

