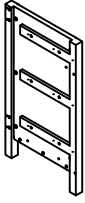
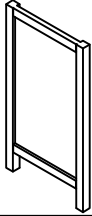
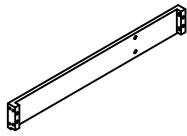
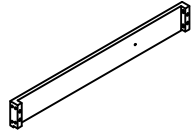
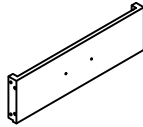
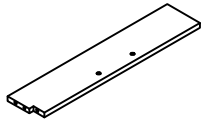
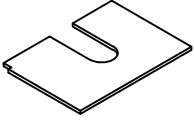
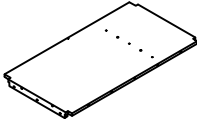

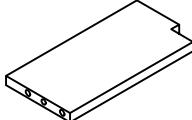
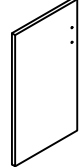
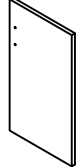
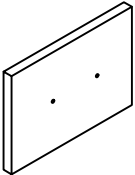
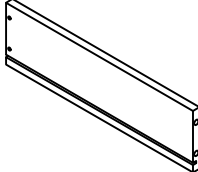
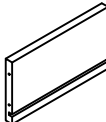
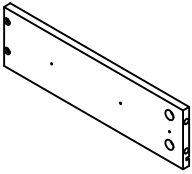
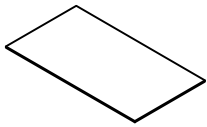
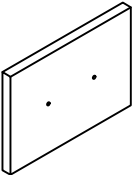
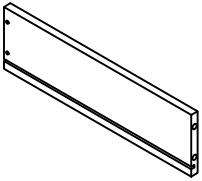
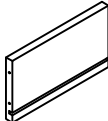
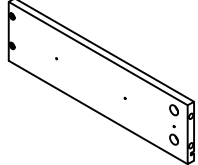
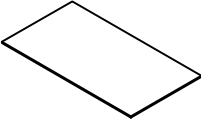


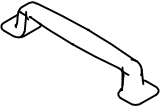
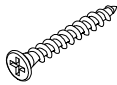
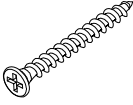
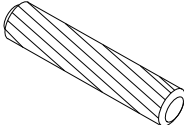
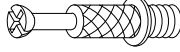
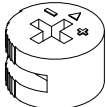
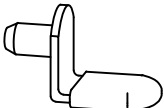

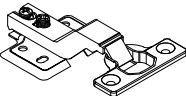

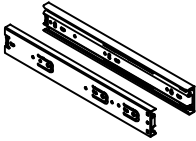

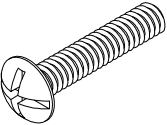


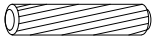
PRODUCT PARTS:

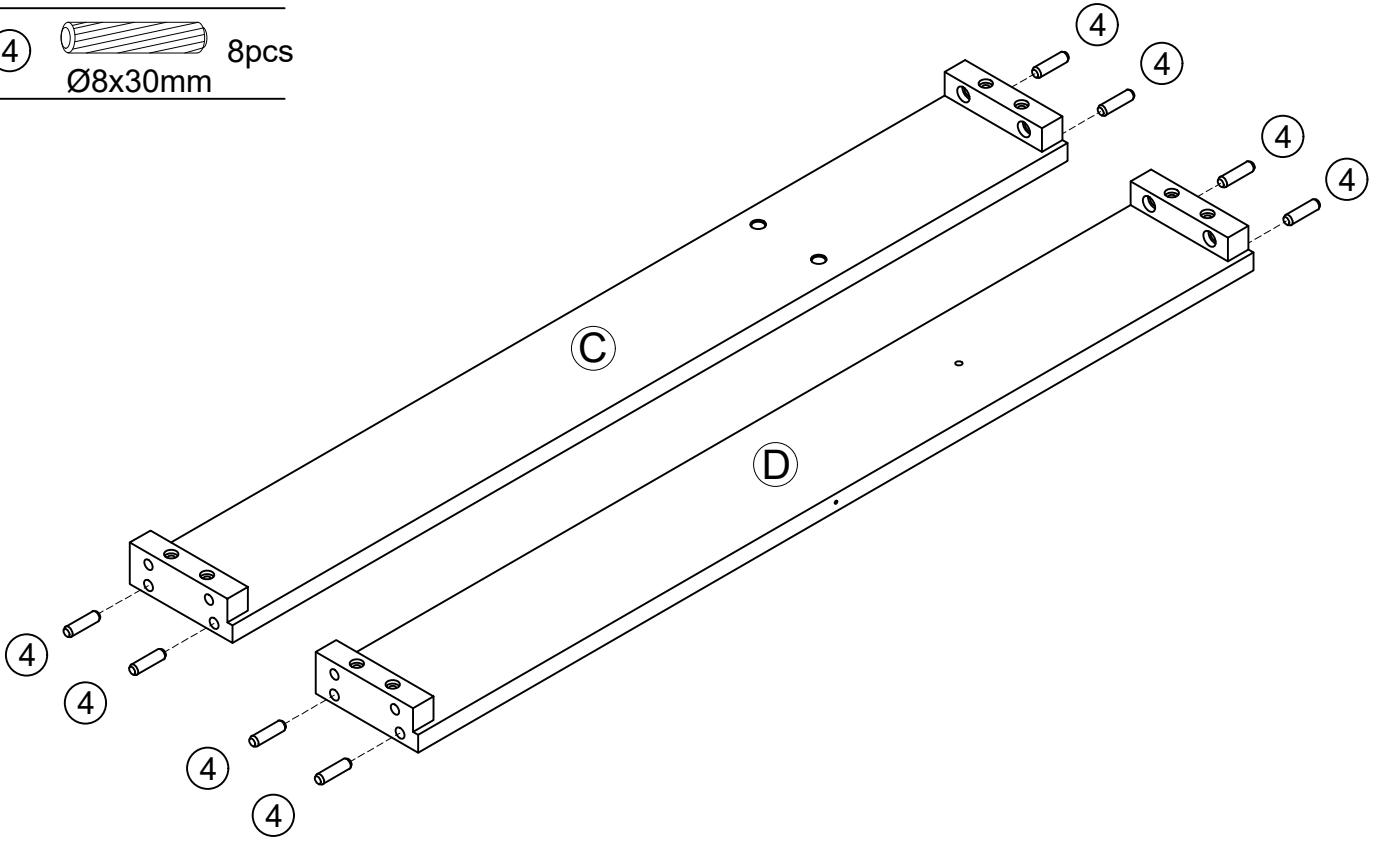
|   |   |   |  |   |   |
|---|---|---|--|---|---|
| A   | B   | C   | D  | E   | F   |
|    |    |    |    |    |    |
| 1PC   | 1PC   | 1PC   | 1PC  | 1PC   | 1PC   |
| G   | H   | I   | J  | K   | L   |
|    |    |    |    |    |    |
| 1PC   | 1PC   | 1PC   | 1PC  | 1PC   | 1PC   |
| M   | N   | O   | P  | Q   | R   |
|   |   |   |   |   |   |
| 1PC   | 1PC   | 1PC   | 1PC  | 1PC   | 2PCS  |
| S   | T   | U   | V  | W   | X   |
|  |  |  |  |  |  |
| 2PCS  | 2PCS  | 2PCS  | 2PCS   | 1PC   | 1PC   |

# HARDWARE:



| ①   | ②   | ③  | ④  | ⑤   | ⑥  |
|---|---|--|--|---|--|
|                | <br>Ø4x25mm    | <br>Ø4x35mm | <br>Ø8x30mm | <br>Ø6x33mm  | <br>Ø15x9mm |
| 6 PCS   | 12+1 PCS  | 5 PCS  | 30+2 PCS   | 19+1 PCS  | 19+1 PCS   |
| ⑦   | ⑧   | ⑨  | ⑩  | ⑪   | ⑫  |
|                | <br>5/32"x15mm |             | <br>Ø4x12mm | <br>12"x45mm | <br>Ø3x10mm |
| 4 PCS   | 12 PCS  | 4 PCS  | 24+2 PCS   | 3 SET   | 36+2 PCS   |
| ⑬   |   |  |  |   |  |
| <br>1/4"x25mm |   |  |  |   |  |
| 22+2 PCS  |   |  |  |   |  |

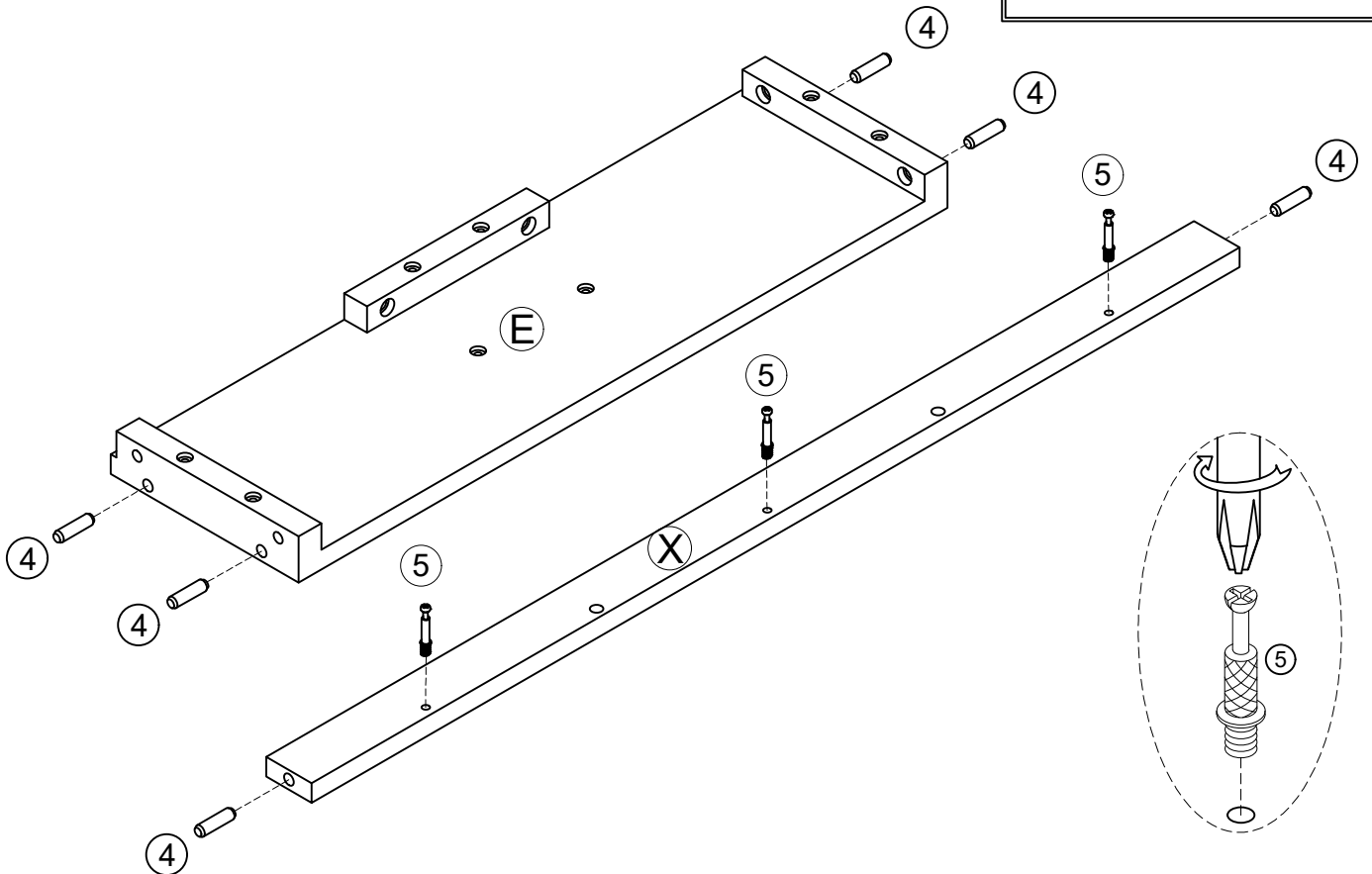
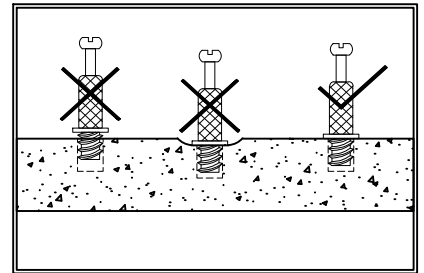
STEP 1

- ④  8pcs  
Ø8x30mm

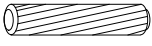


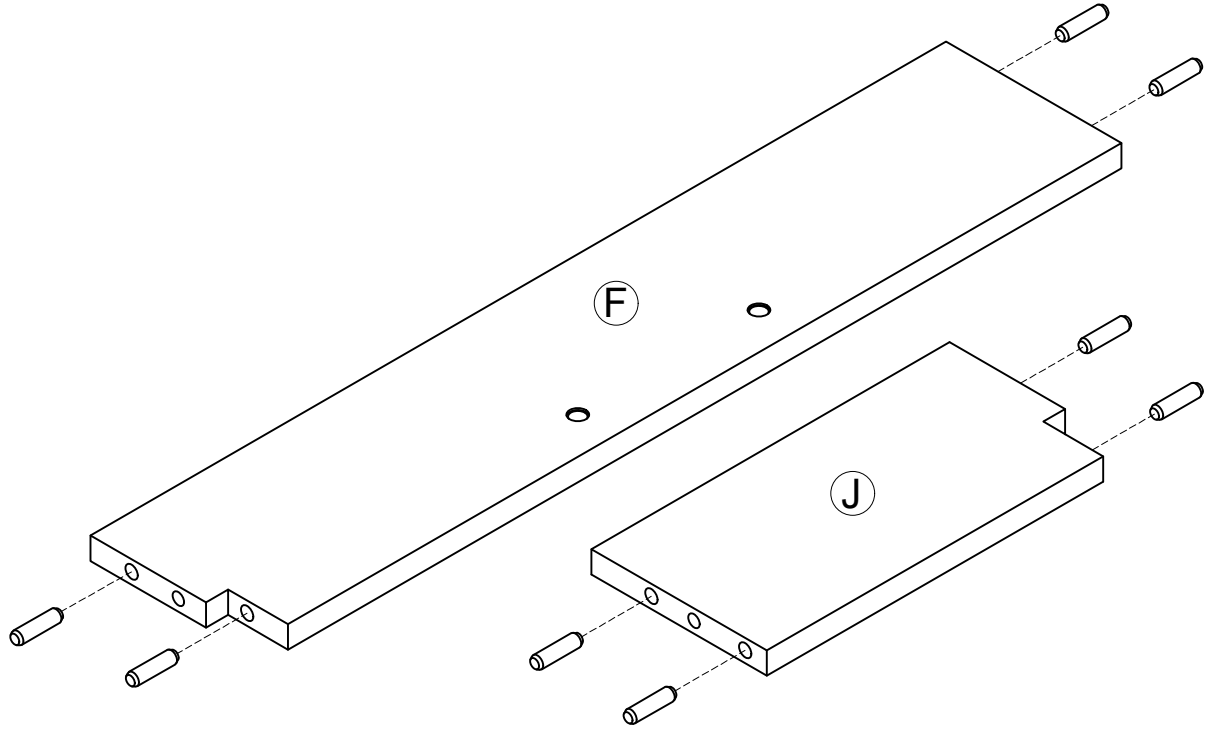
STEP 2

- ④  6pcs  
Ø8x30mm
- ⑤  3pcs  
Ø6x33mm




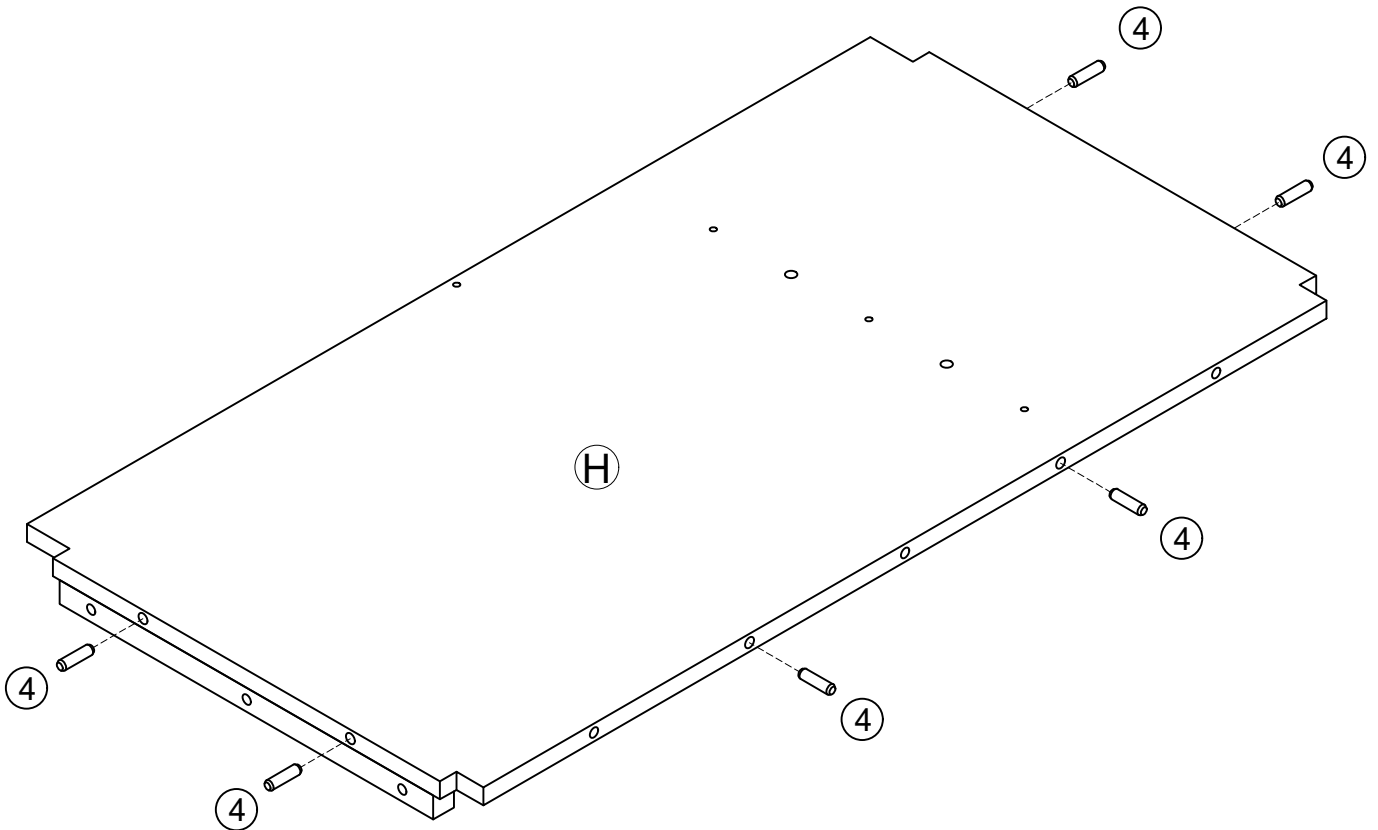
STEP 3

④  8pcs  
Ø8x30mm

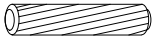


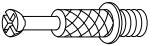
STEP 4

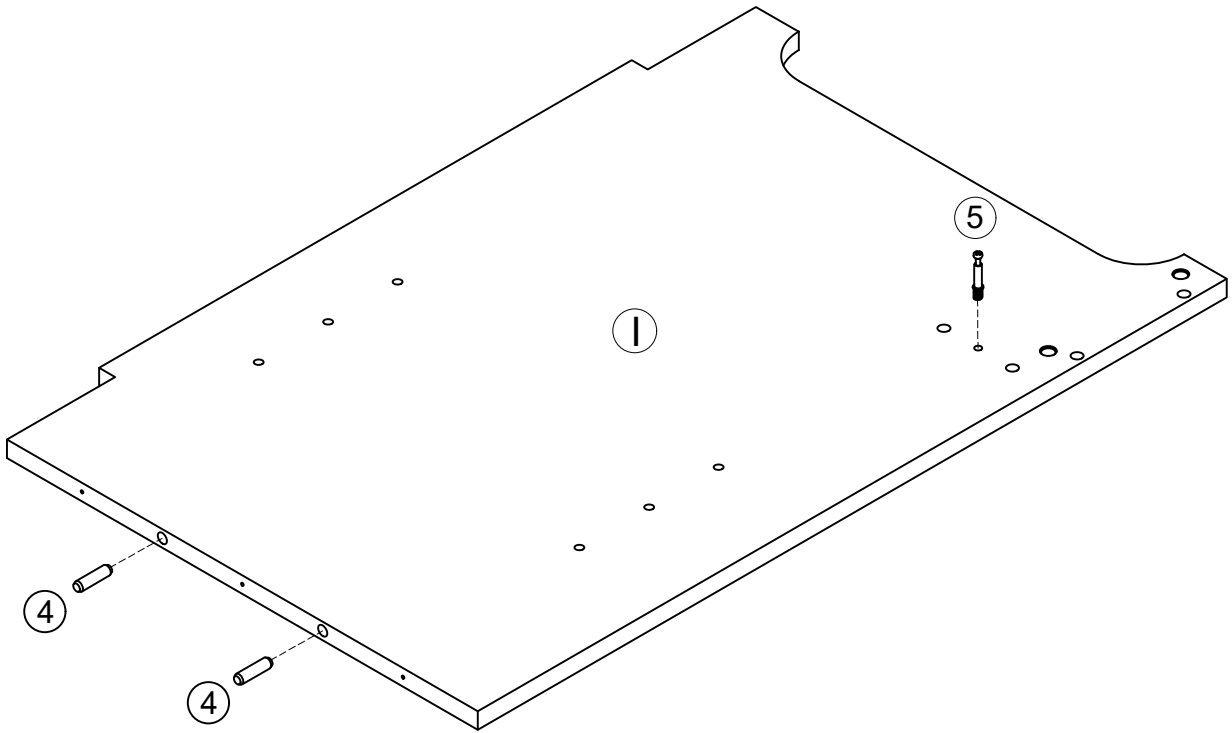
④  6pcs  
Ø8x30mm




STEP 5

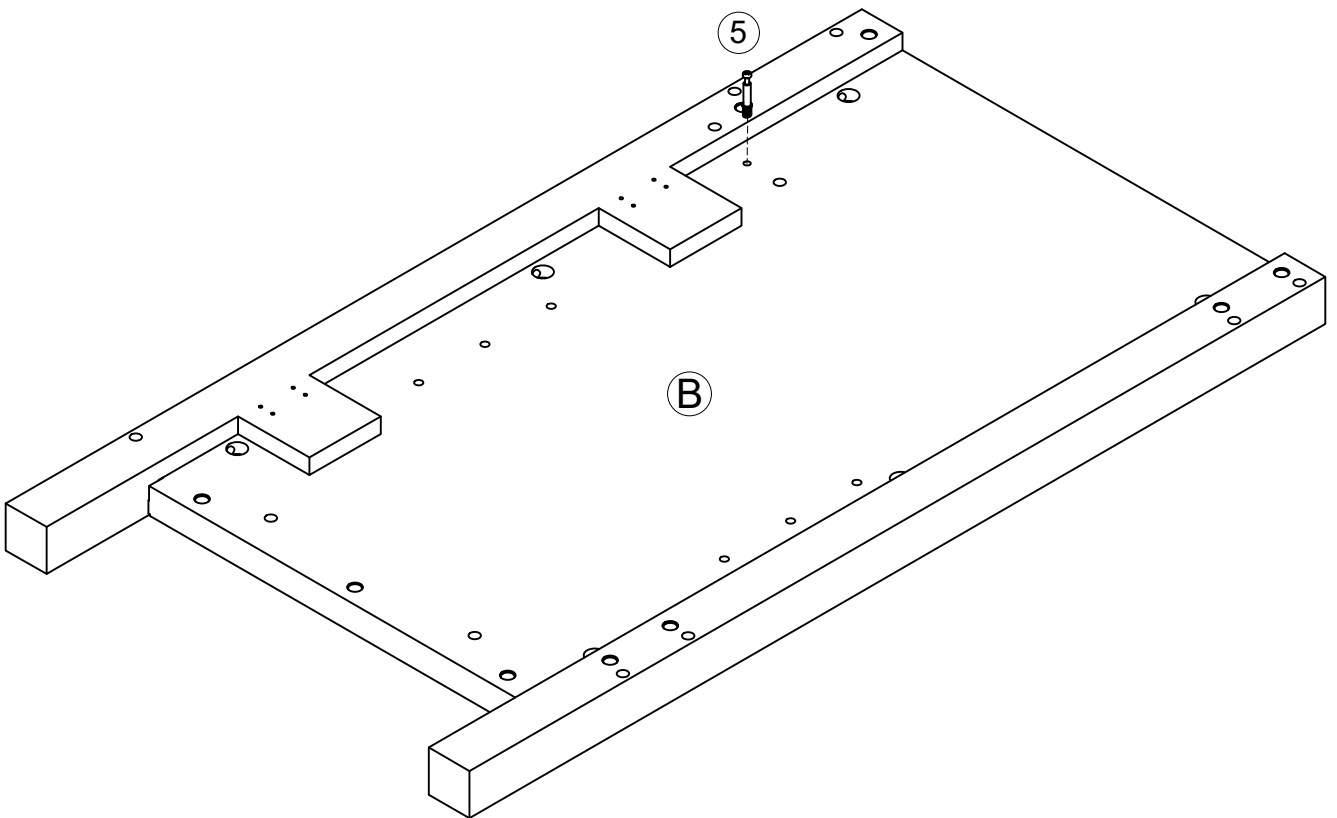
④  2pcs  
Ø8x30mm

⑤  1pc  
Ø6x33mm




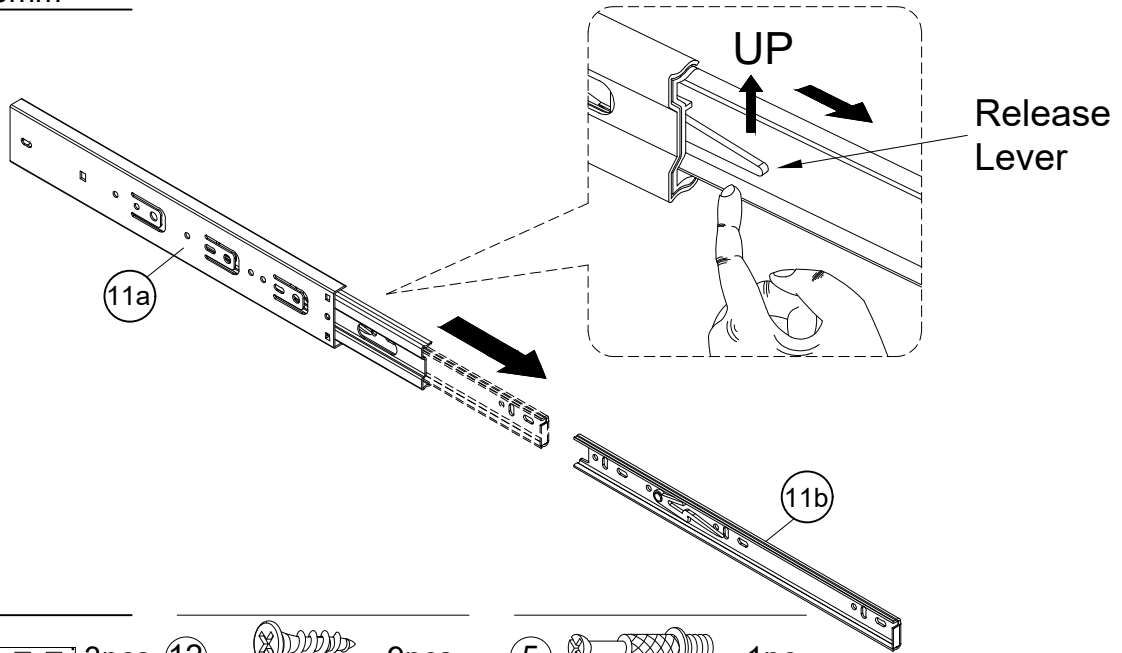
STEP 6

⑤  1pc  
Ø6x33mm

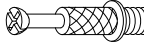


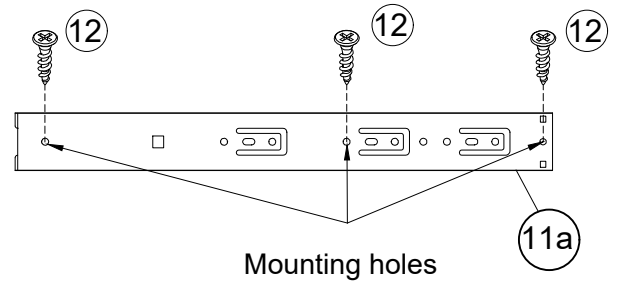
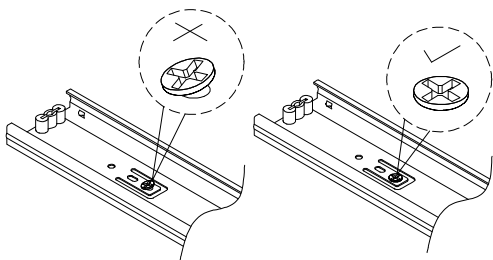
## STEP 7

⑪  3SET  
12"x45mm

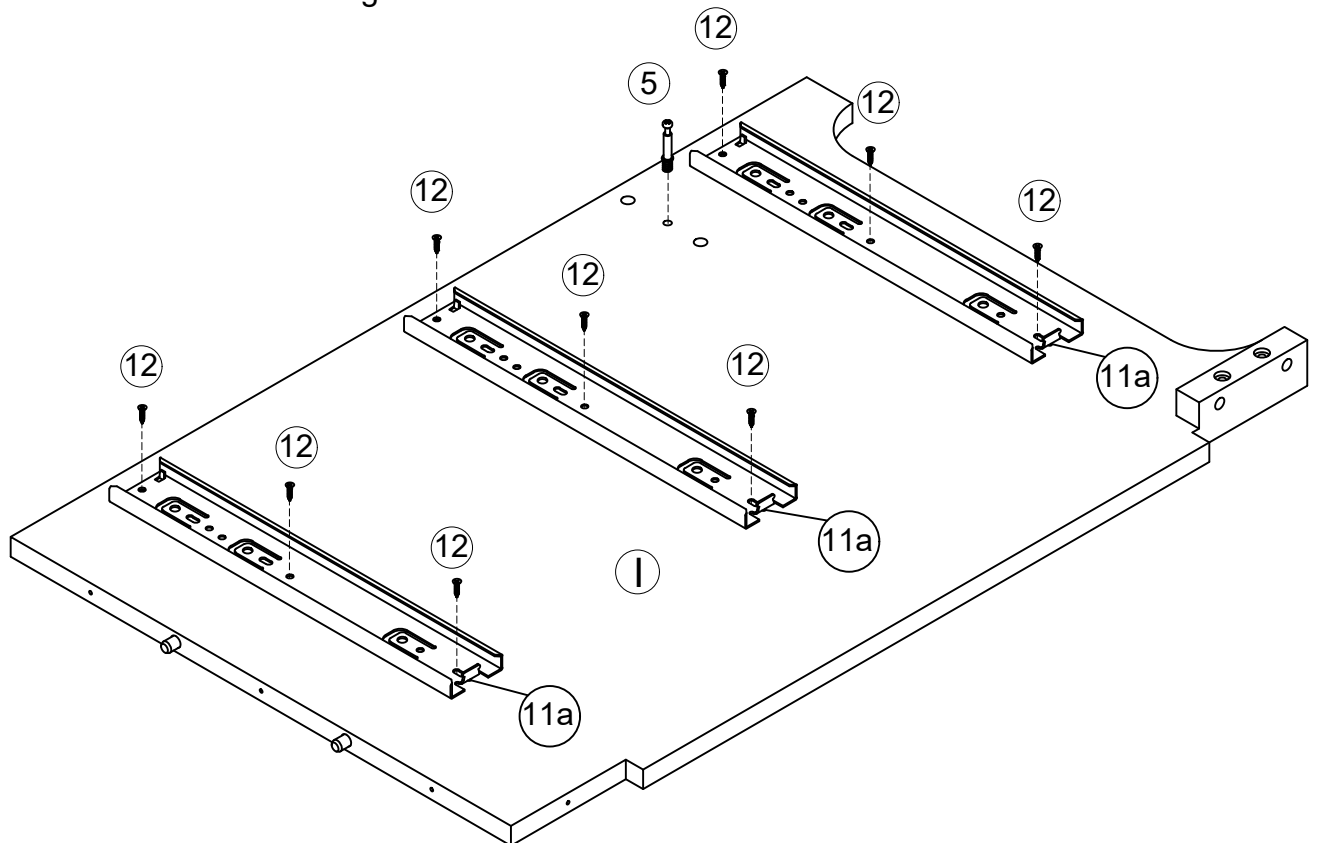


## STEP 8

⑪a  3pcs ⑫  9pcs  
12"x45mm Ø3x10mm ⑤  1pc  
Ø6x33mm



Please make sure that the screw is VERTICAL so as not to affect the sliding of the drawer.

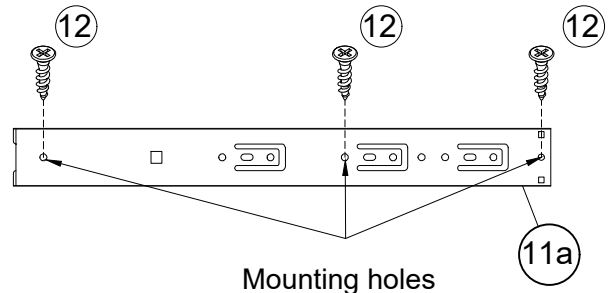
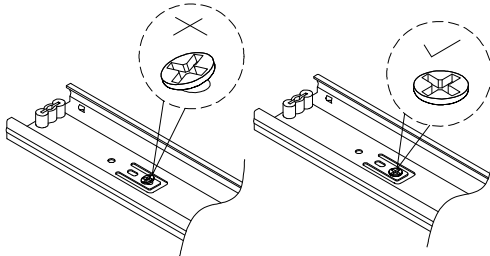


STEP 9

11a 12"x45mm 3pcs

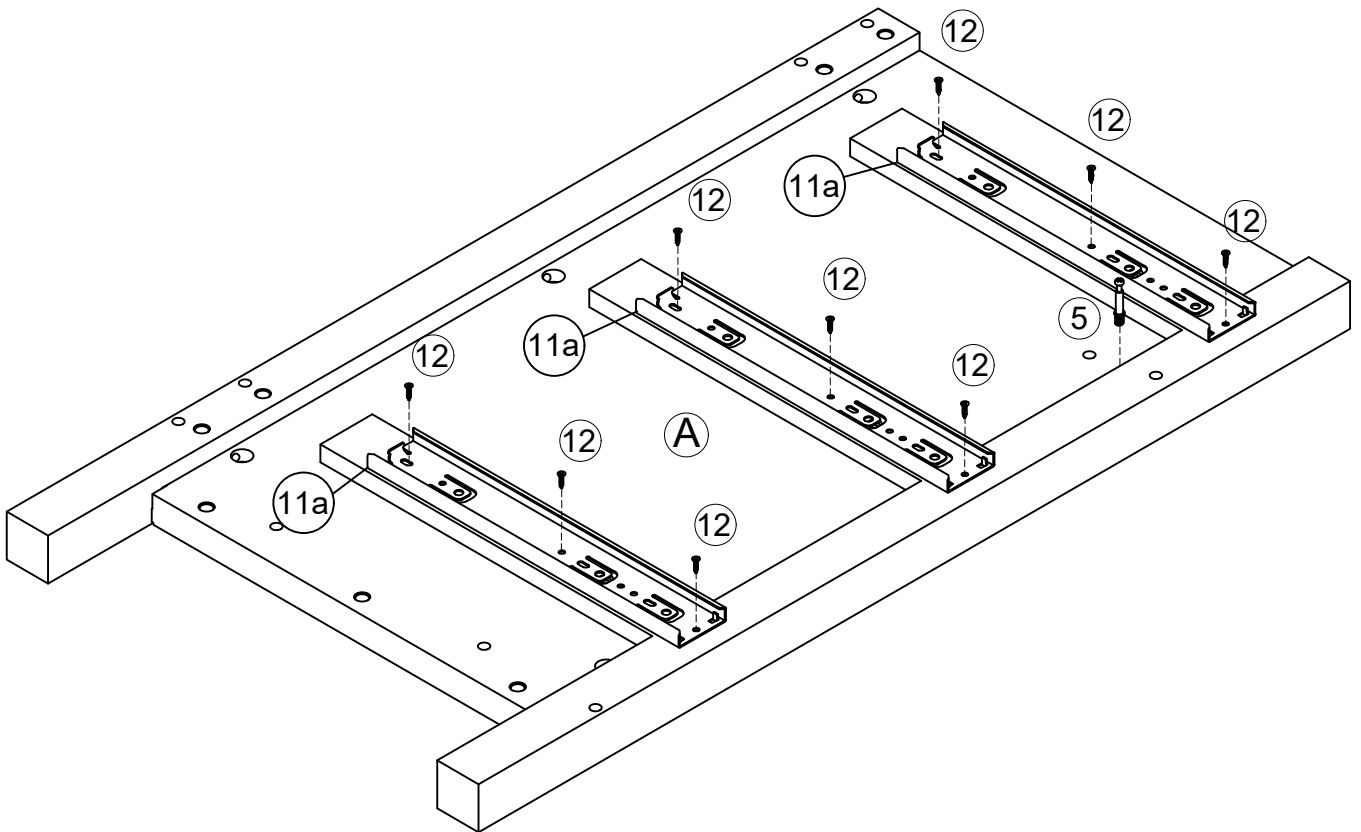
12 Ø3x10mm 9pcs

5 Ø6x33mm 1pc



Mounting holes

Please make sure that the screw is VERTICAL so as not to affect the sliding of the drawer.

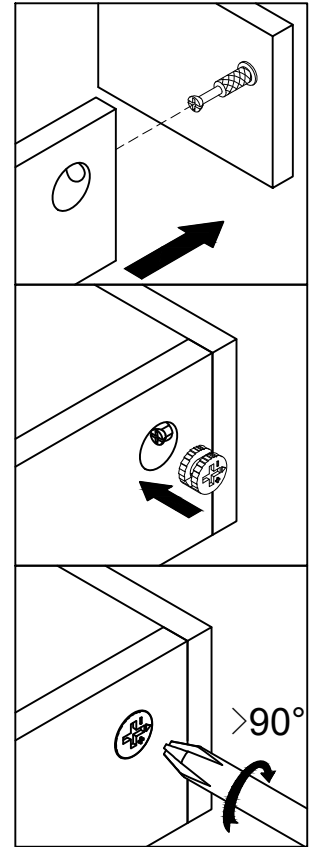
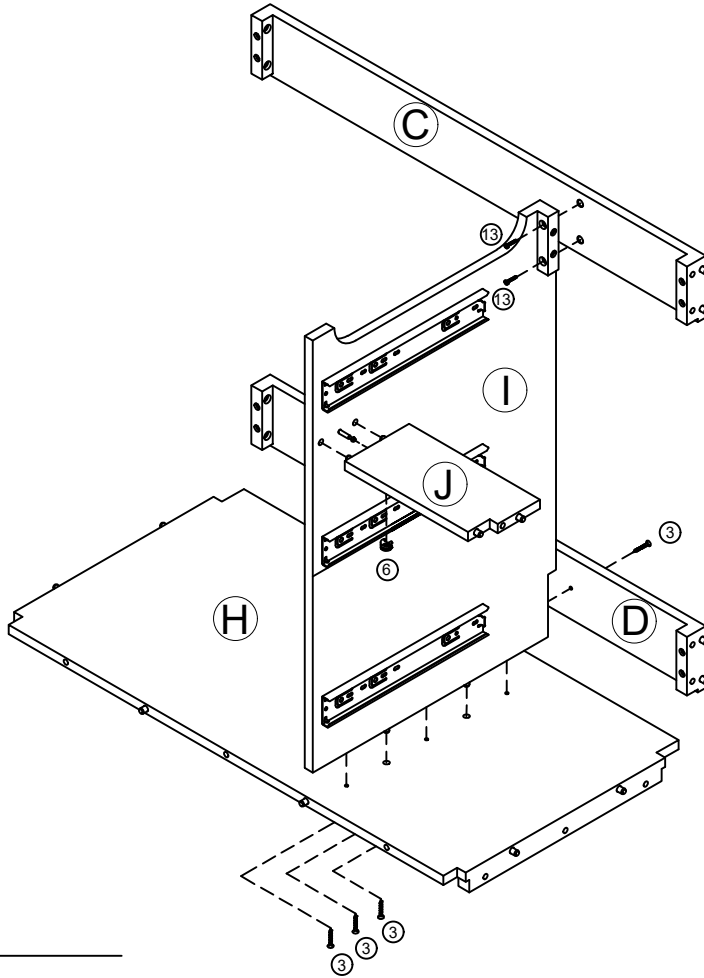


STEP 10

⑬ 1/4"x25mm 2pcs

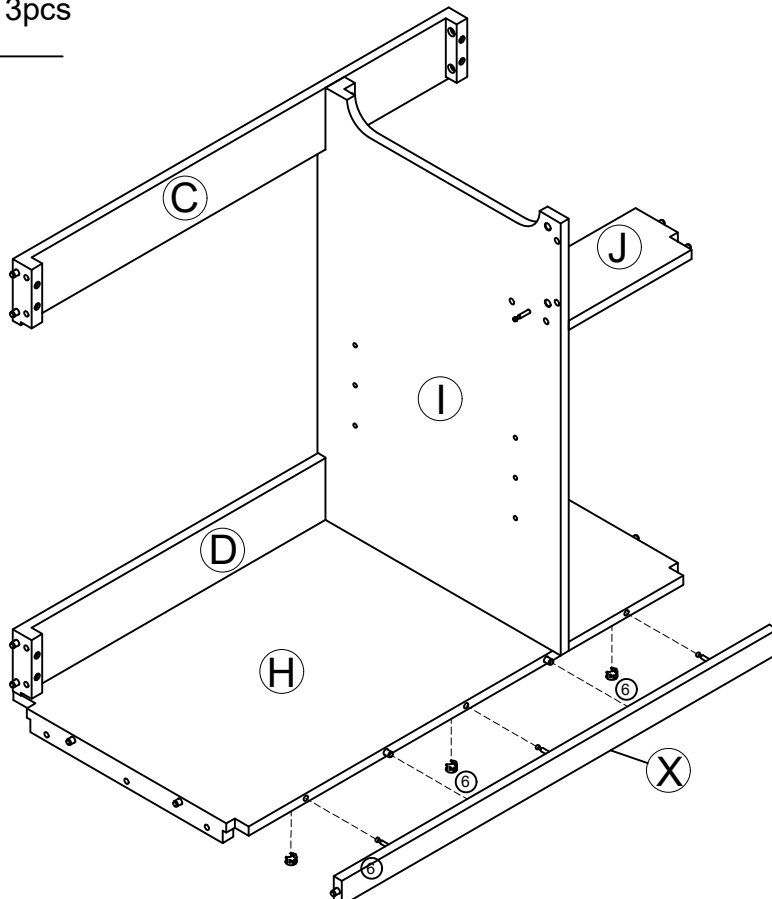
⑥ Ø15x9mm 1pc

③ Ø4x35mm 4pcs



STEP 11

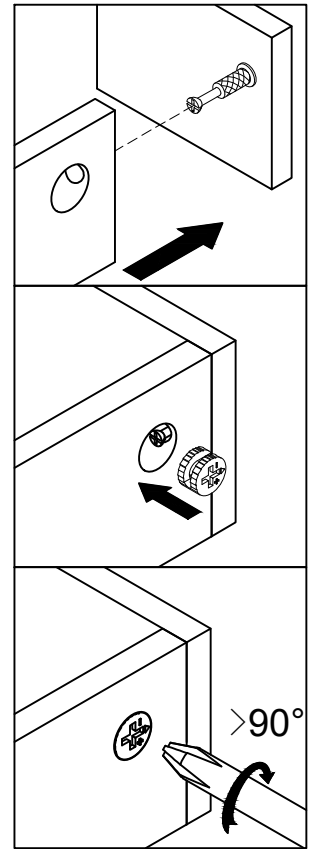
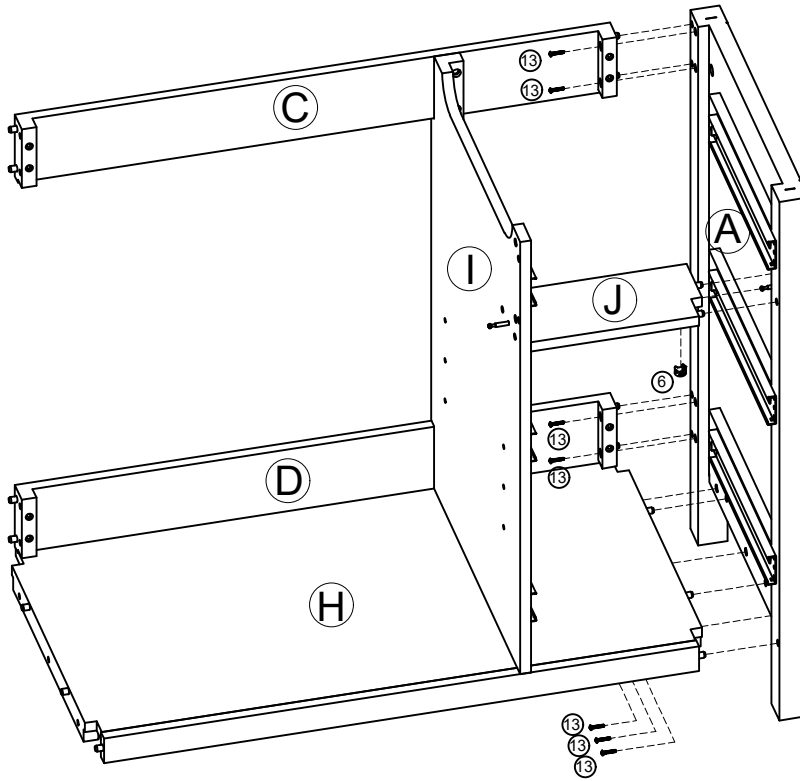
⑥ Ø15x9mm 3pcs



STEP 12

⑬ 1/4"x25mm 7pcs

⑥ Ø15x9mm 1pc

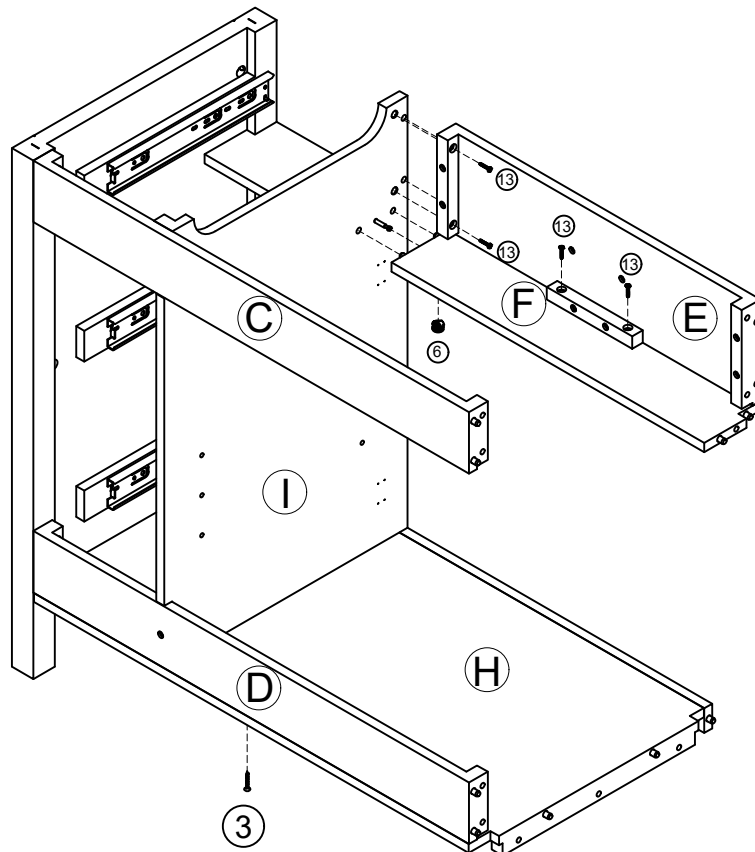


STEP 13

⑬ 1/4"x25mm 4pcs

⑥ Ø15x9mm 1pc

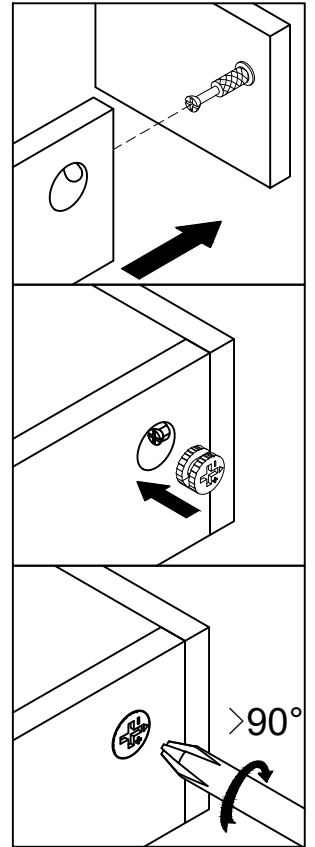
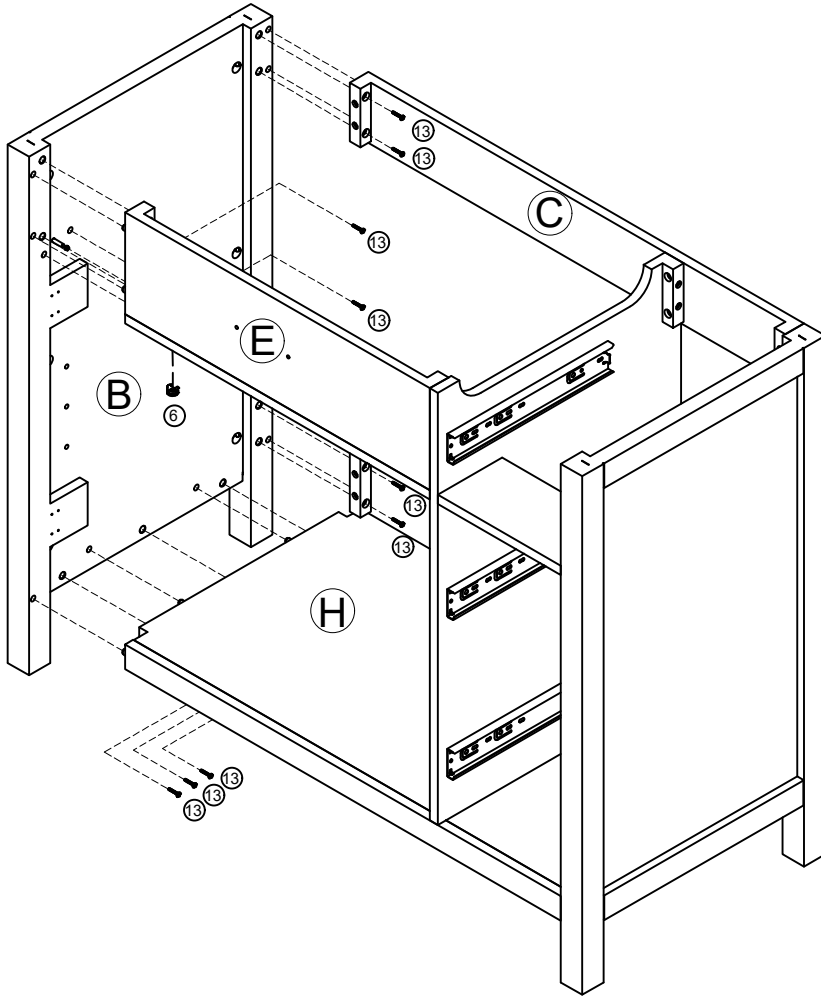
③ Ø4x35mm 1pc



STEP 14

⑬ 1/4"x25mm 9pcs

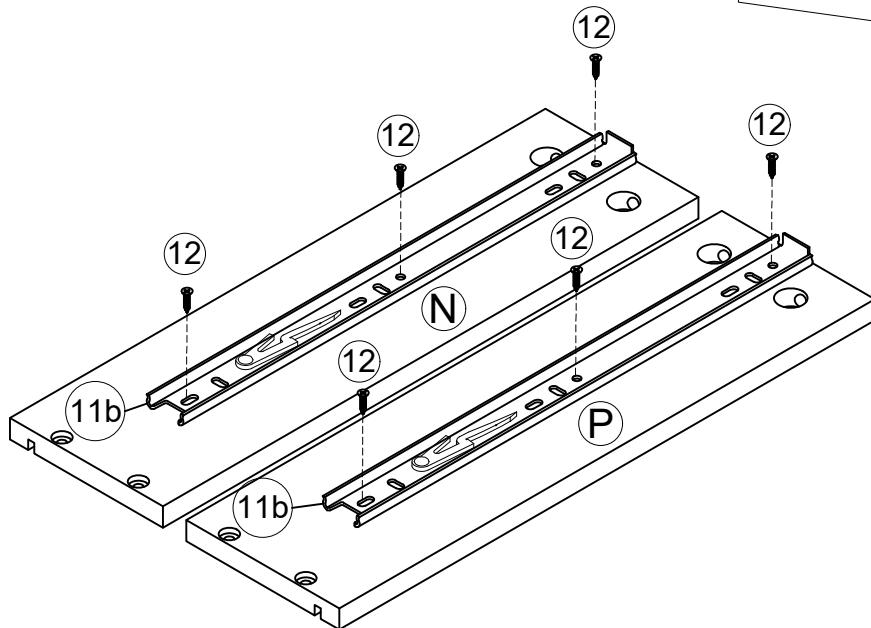
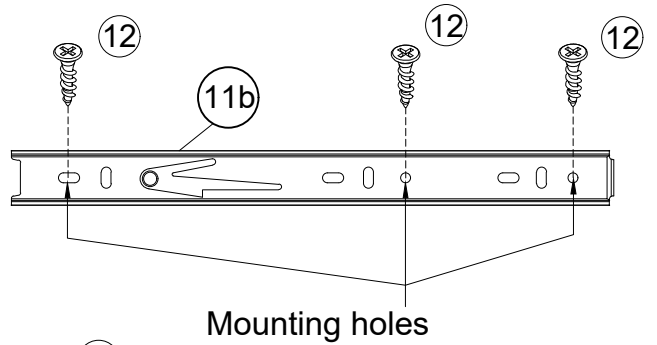
⑥ Ø15x9mm 1pc



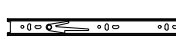
STEP 15

⑪b 12"x45mm 2pcs

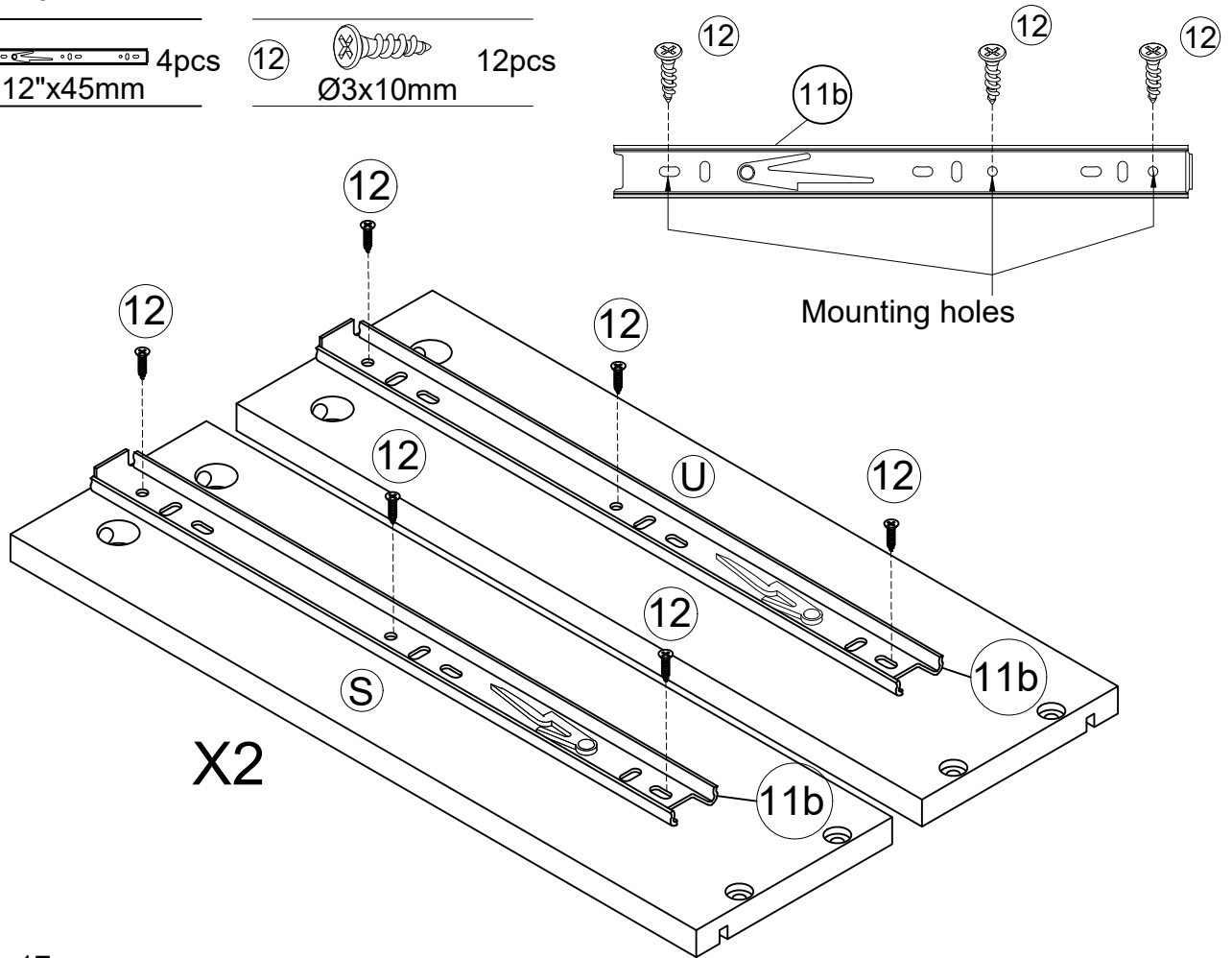
⑫ Ø3x10mm 6pcs



STEP 16

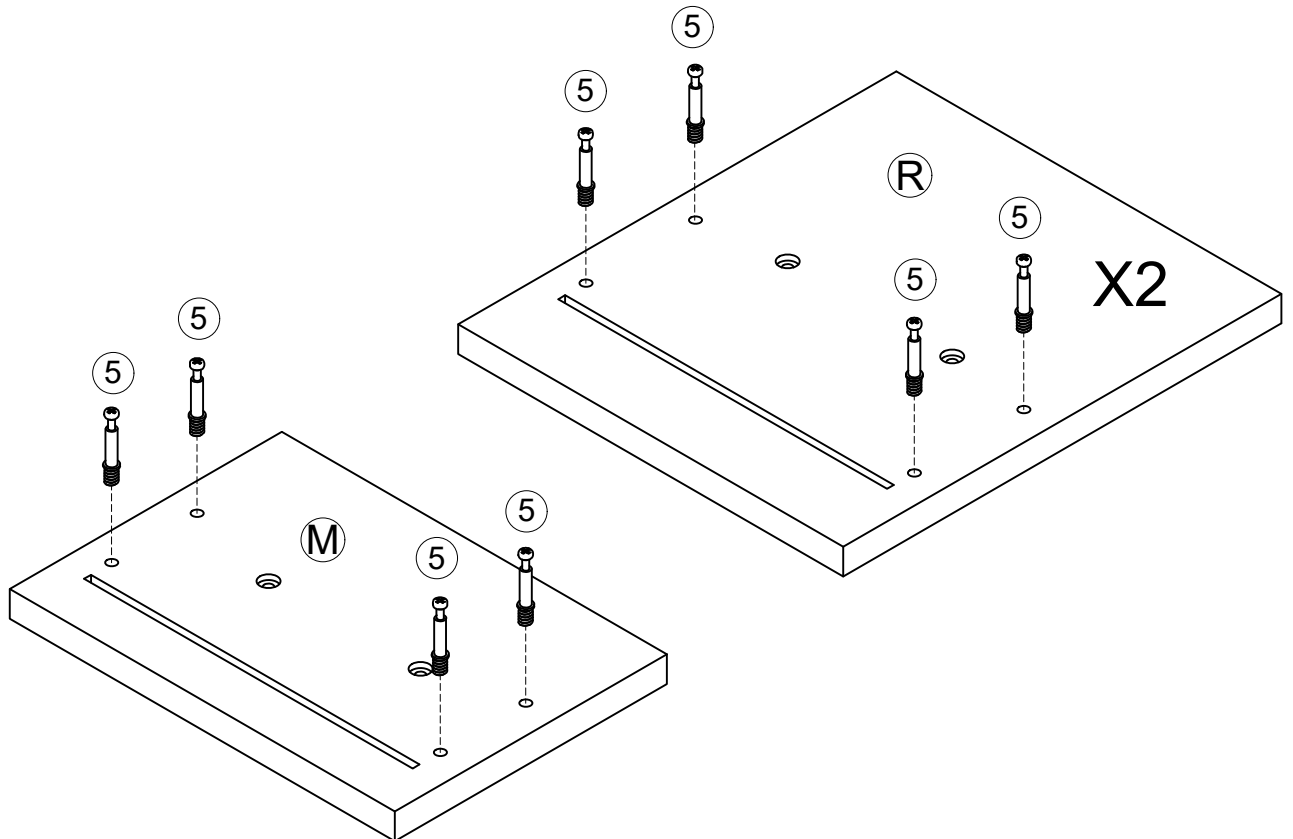
11b  4pcs  
12"x45mm

12  12pcs  
Ø3x10mm




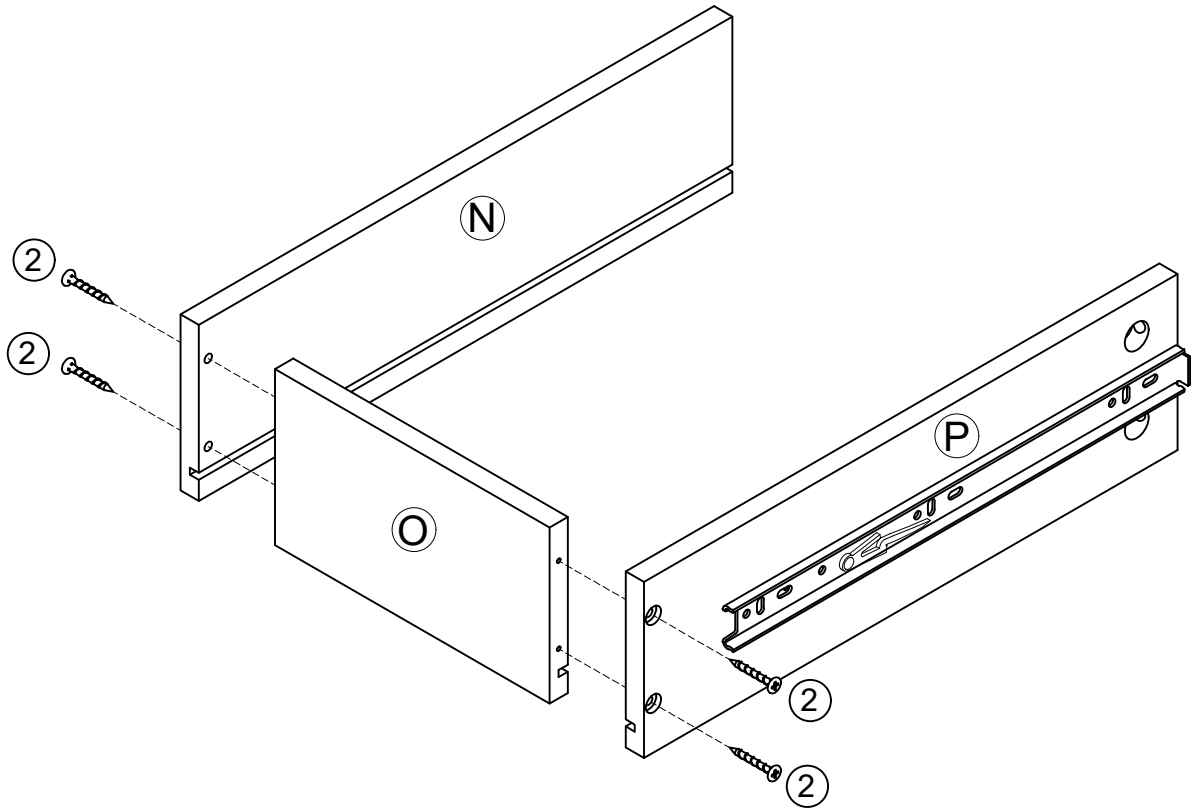
STEP 17

5  12pcs  
Ø6x33mm

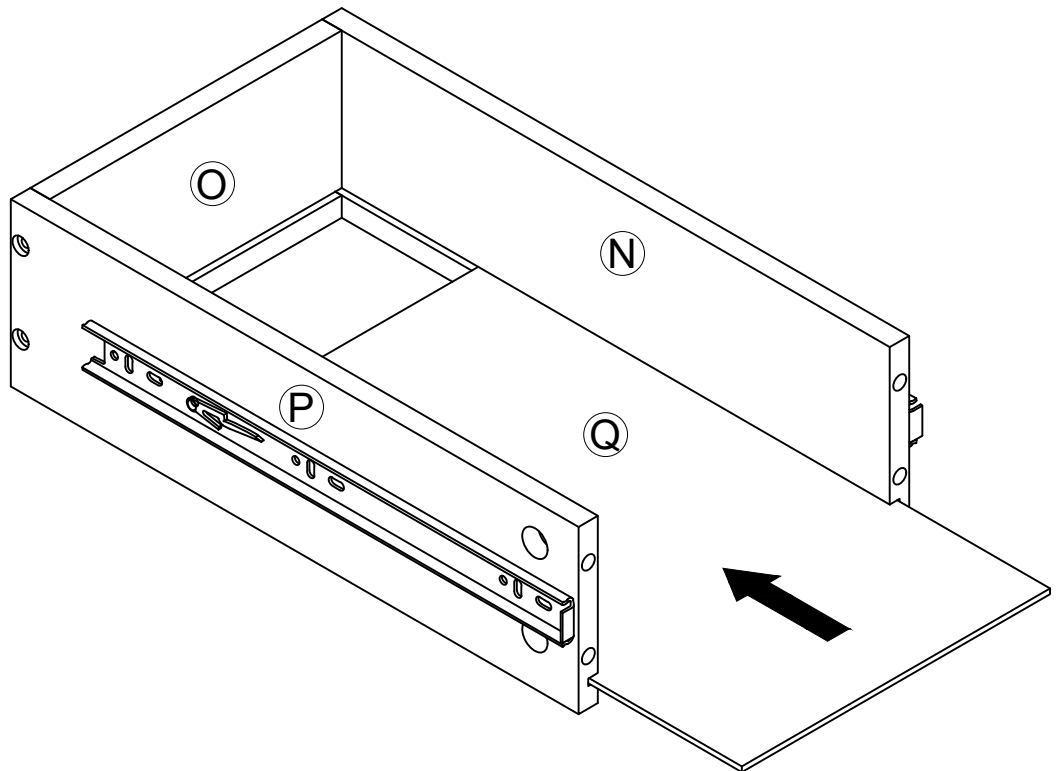


STEP 18


②  4pcs  
Ø4x25mm

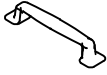



STEP 19

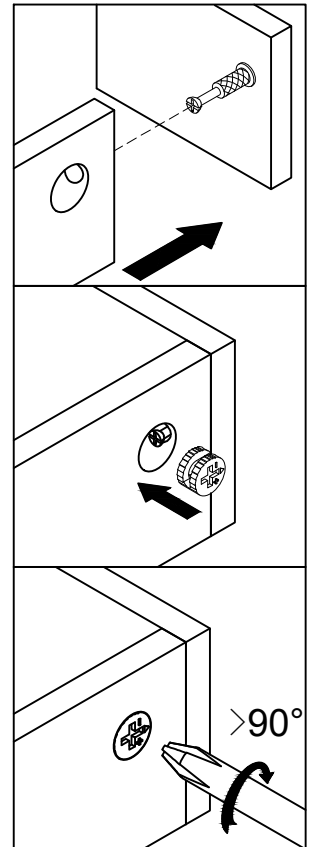
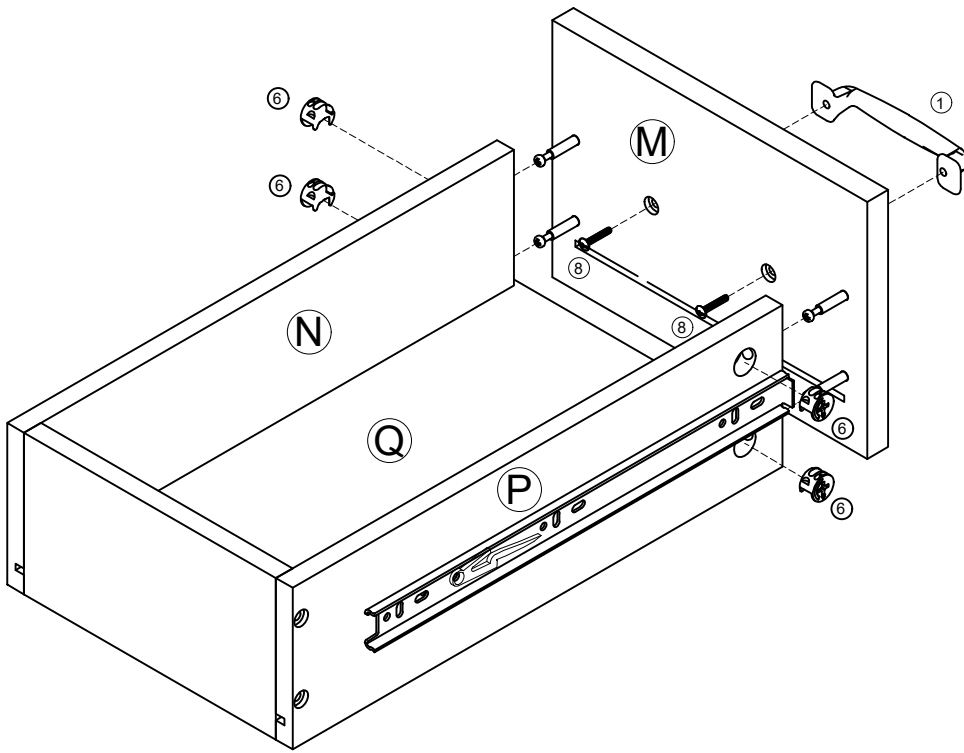


STEP 20

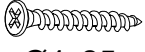
⑥  4pcs  
Ø15x9mm

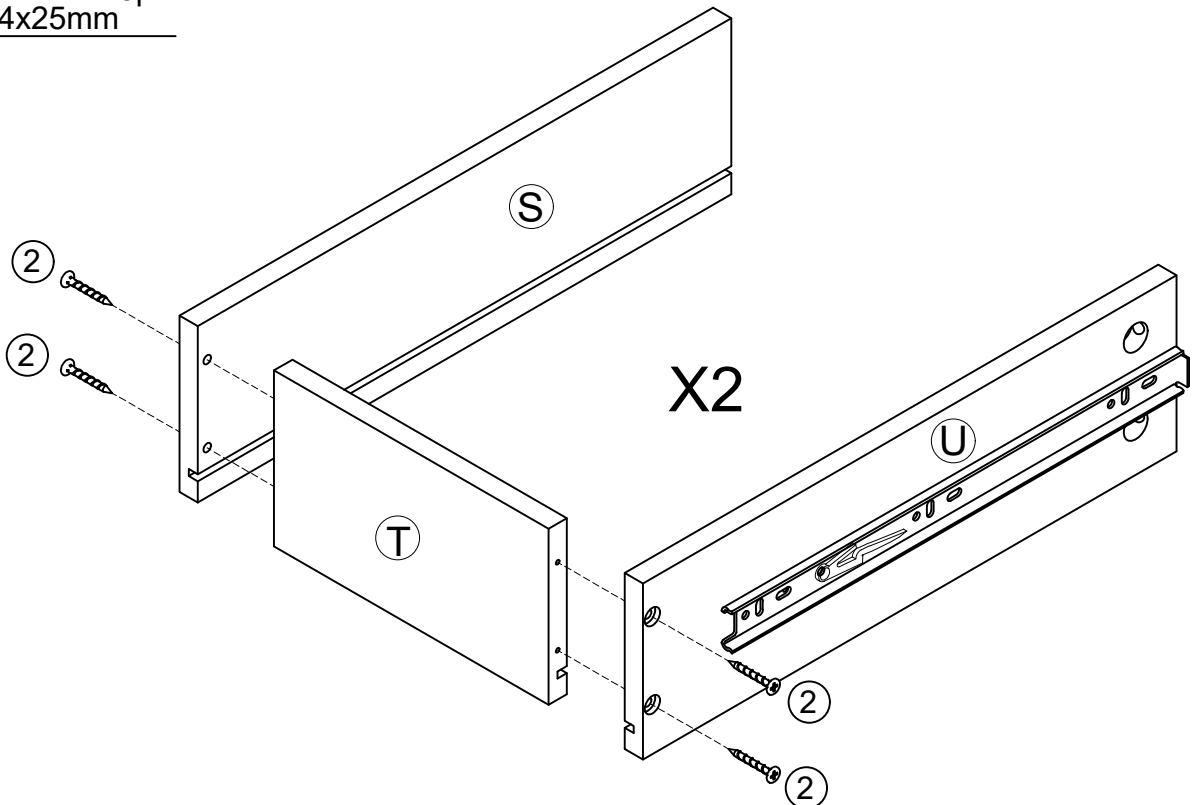
①  1pc

⑧  2pcs  
5/32"x15mm

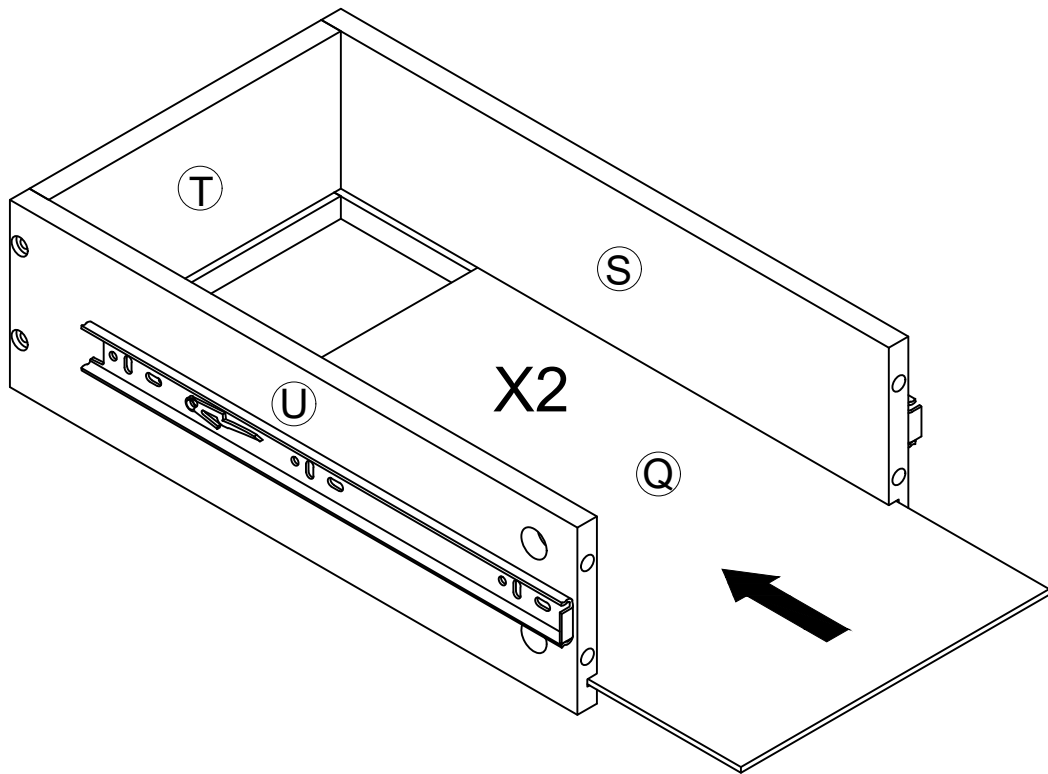


STEP 21




②  8pcs  
Ø4x25mm

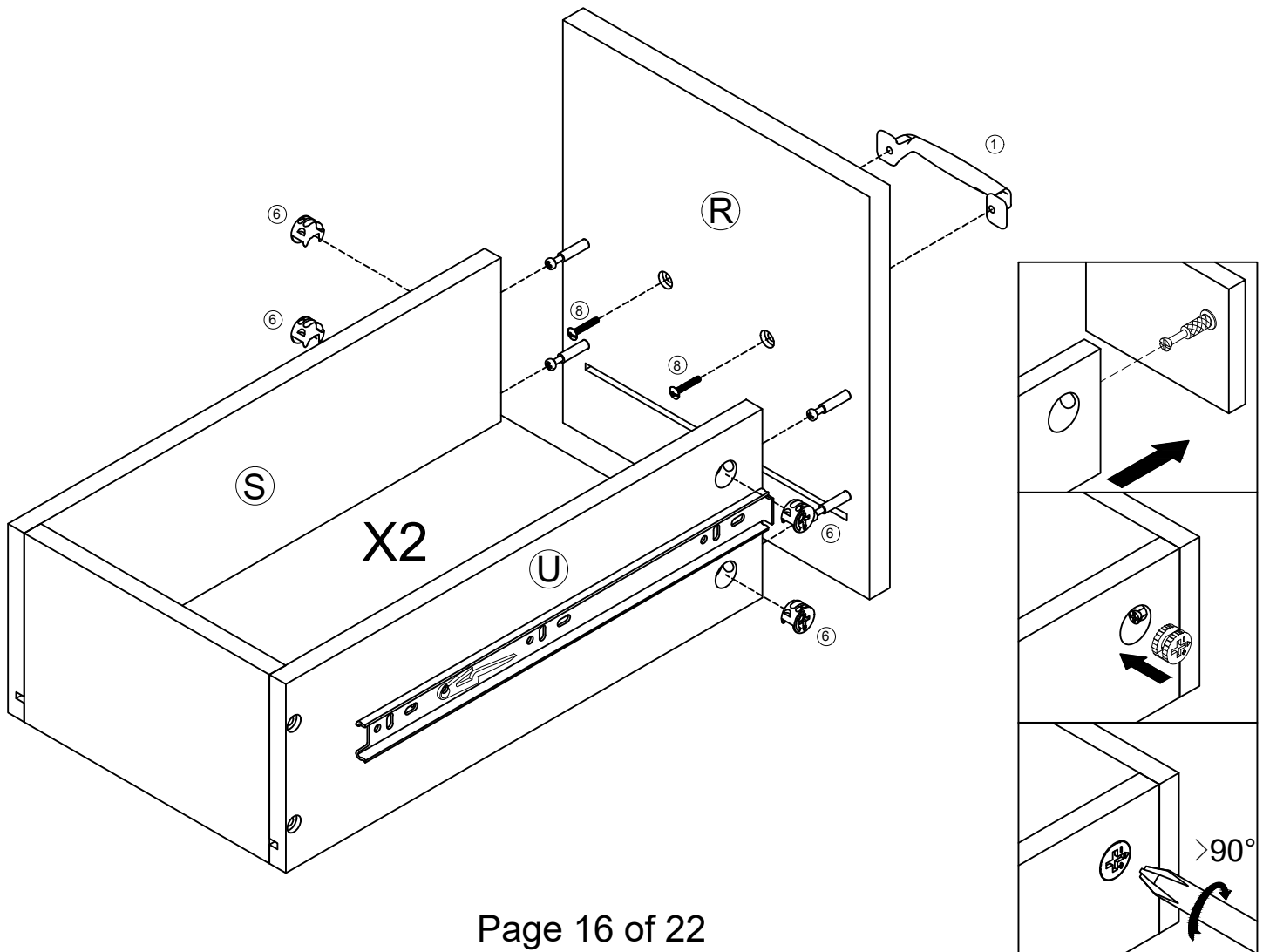


STEP 22

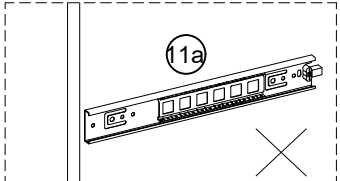
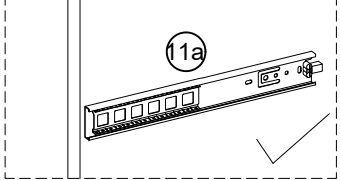
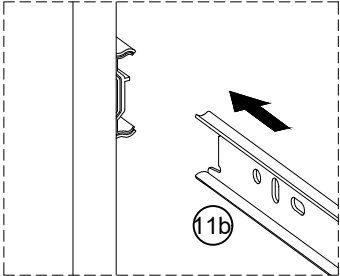
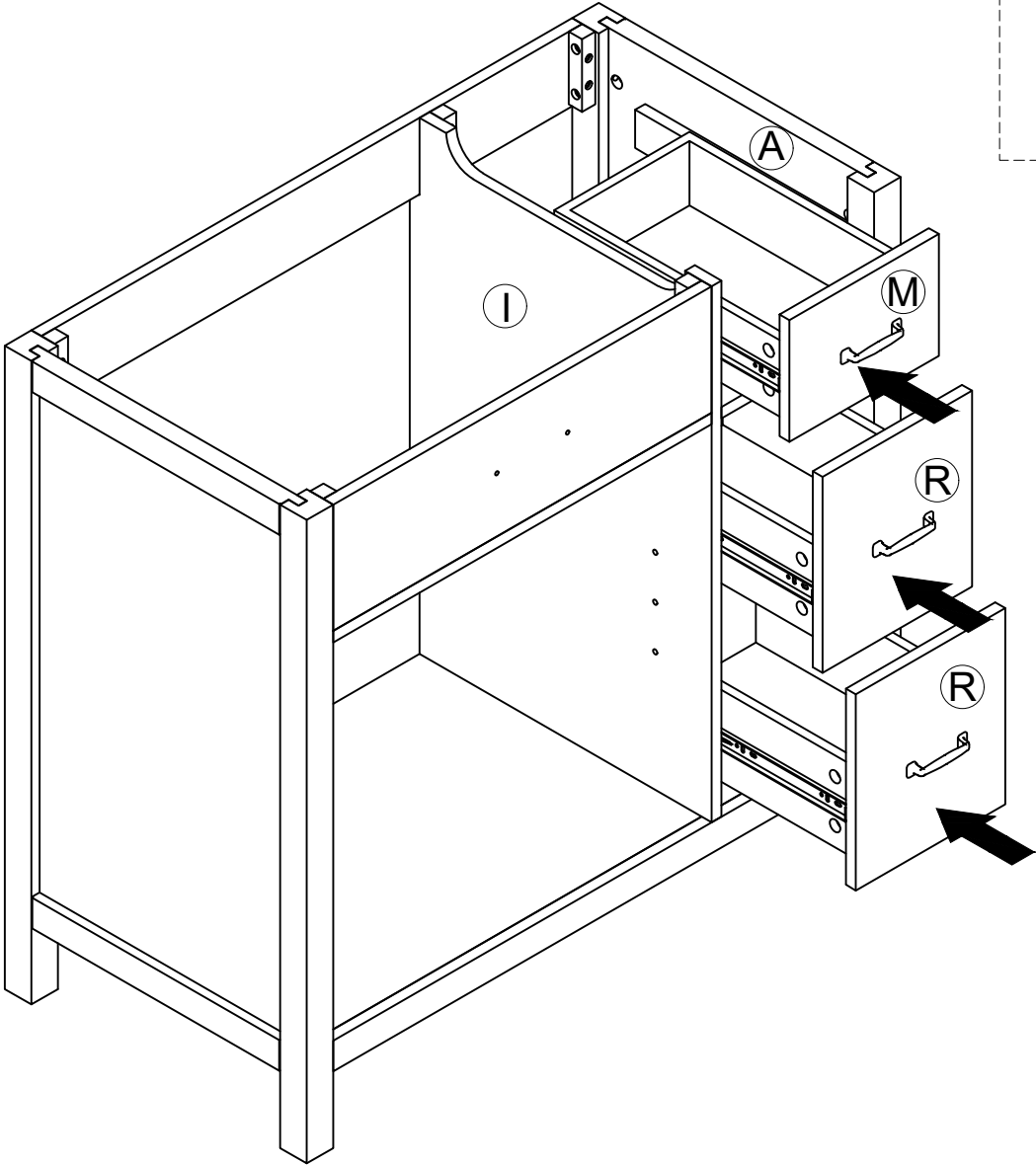


STEP 23

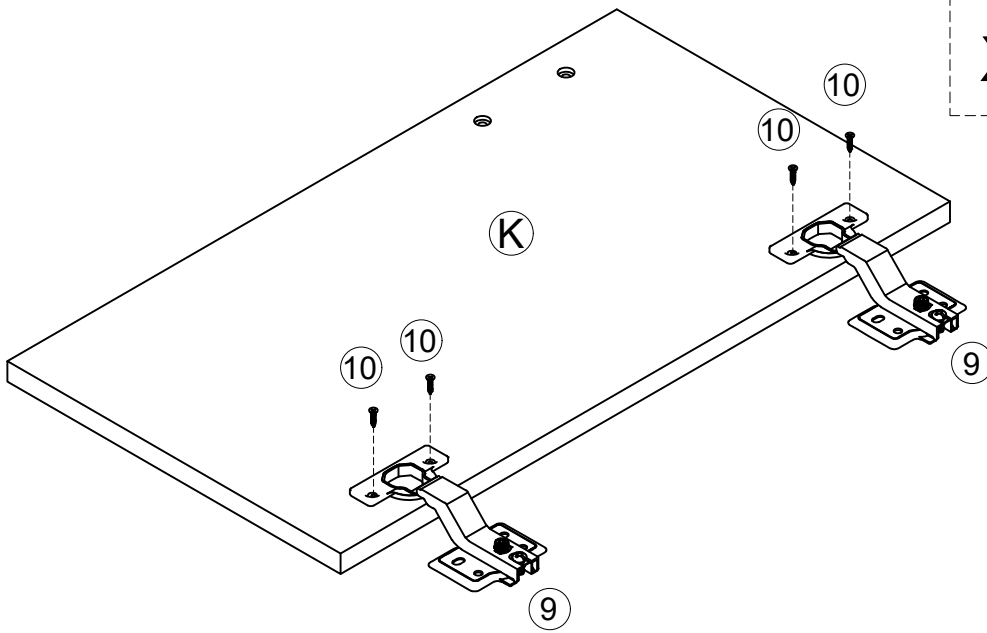
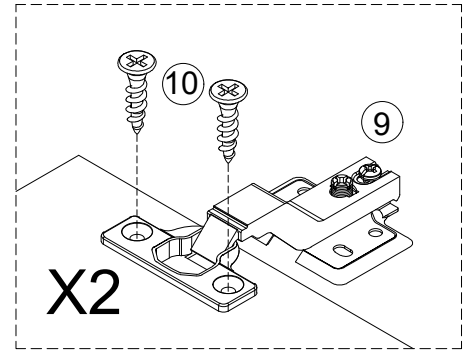
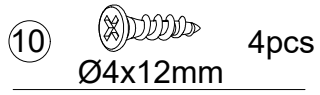
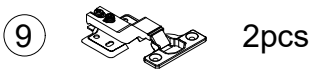
- |  |         |  |      |  |            |
|--|---------|--|------|--|------------|
|  | 8pcs    |  | 2pcs |  | 4pcs       |
| 6  | Ø15x9mm | 1  |      | 8  | 5/32"x15mm |



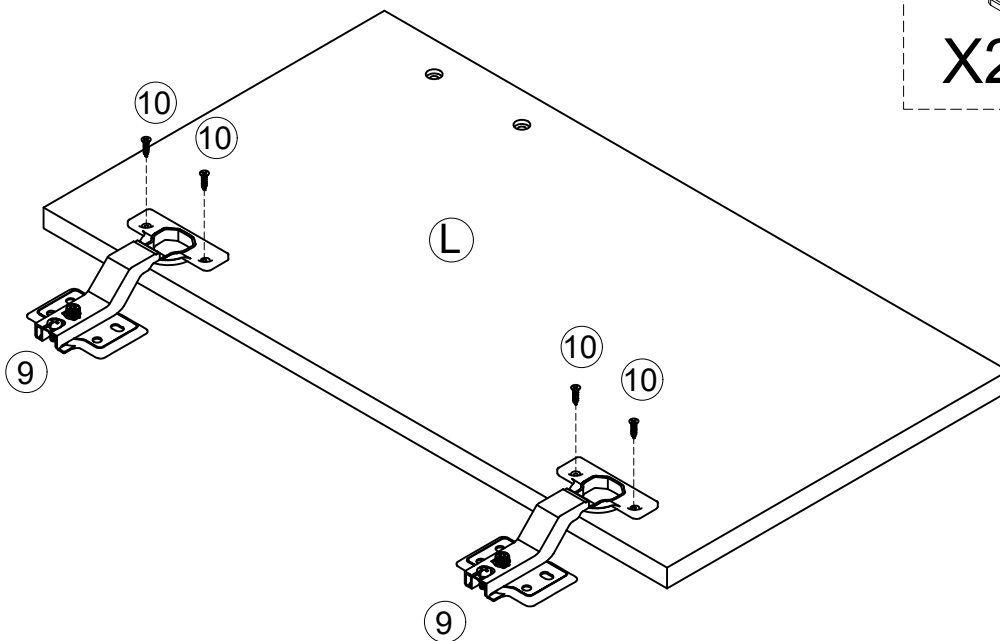
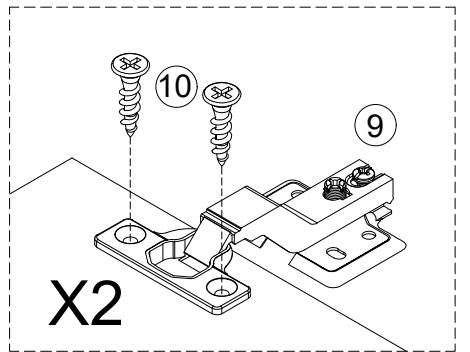
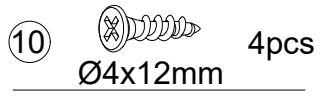
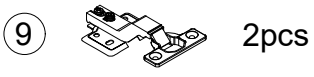
STEP 24




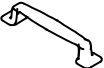

STEP 25



STEP 26

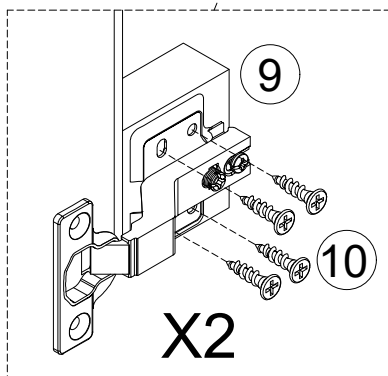
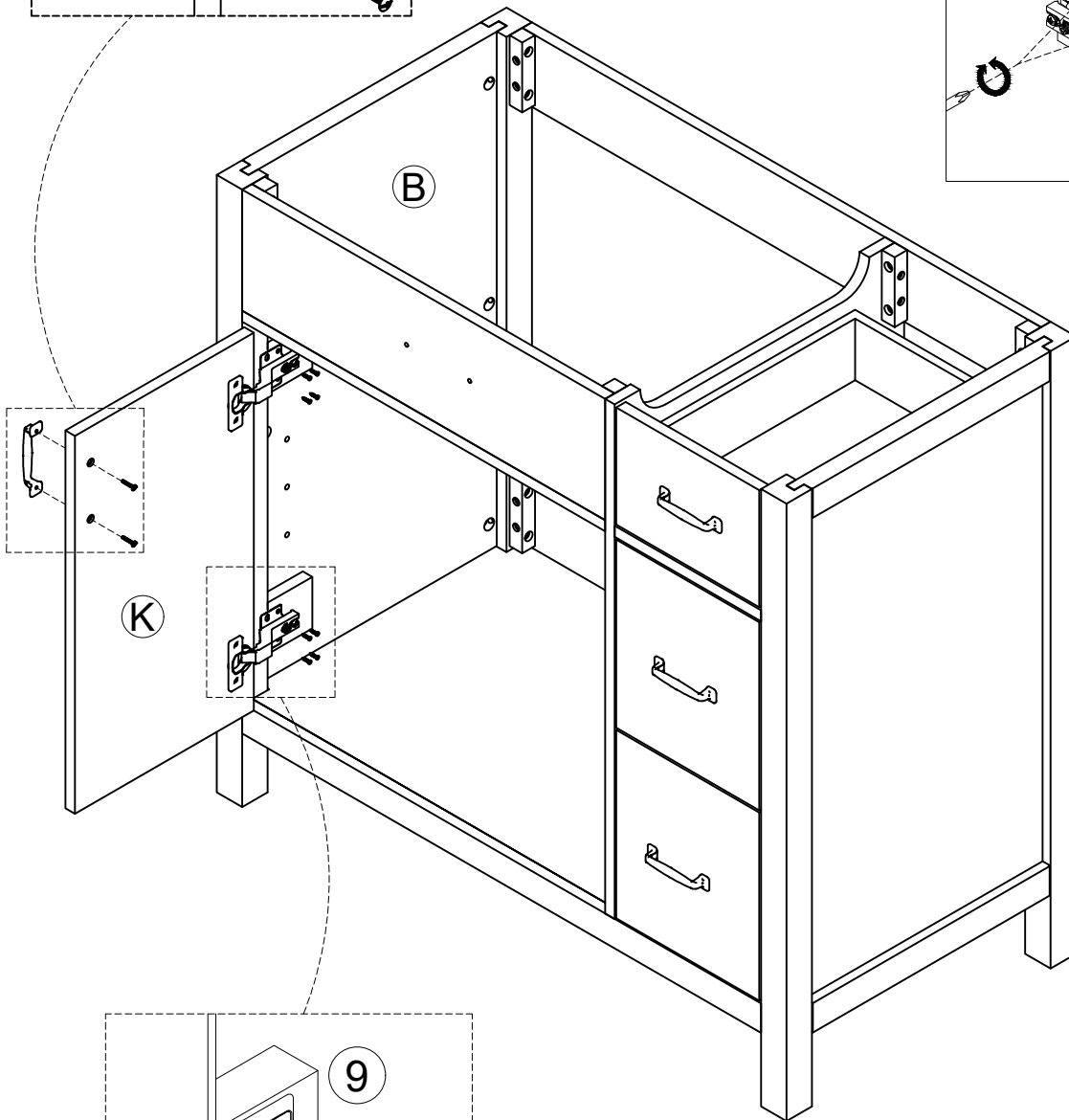
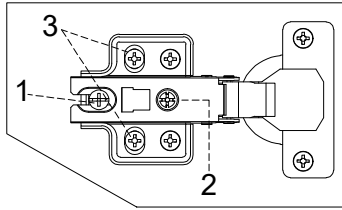
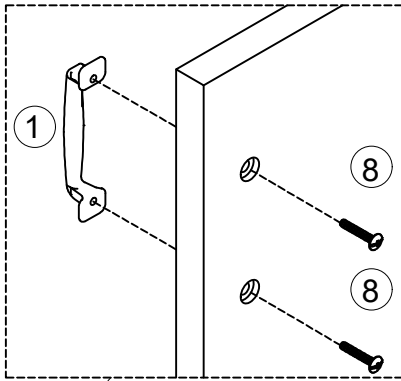
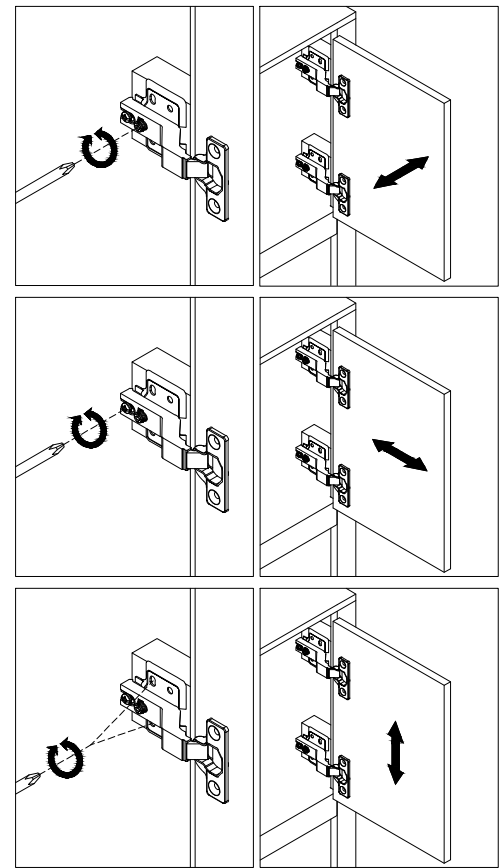


# STEP 27


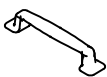

- 10  8pcs  $\varnothing 4 \times 12 \text{mm}$
- 1  1pc
- 8  2pcs  $5/32" \times 15 \text{mm}$

Three-way adjustable hinge for perfectly aligned doors

- 1. TO ADJUST DOOR FORWARD OR BACKWARD.
- 2. TO ADJUST DOOR TO RIGHT OR TO LEFT.
- 3. TO ADJUST DOOR UP OR DOWN.

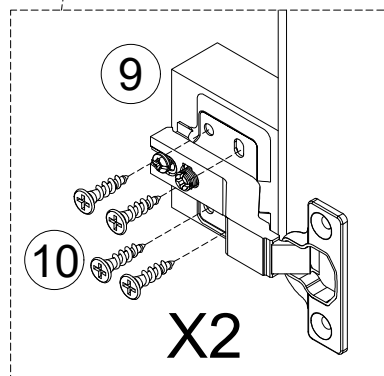
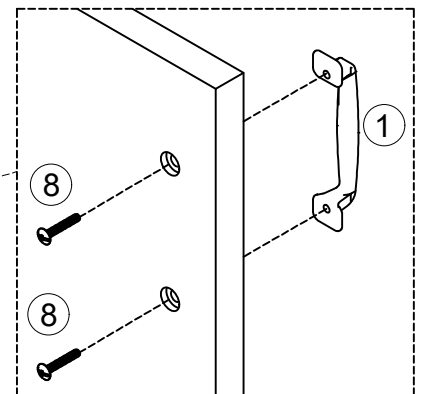
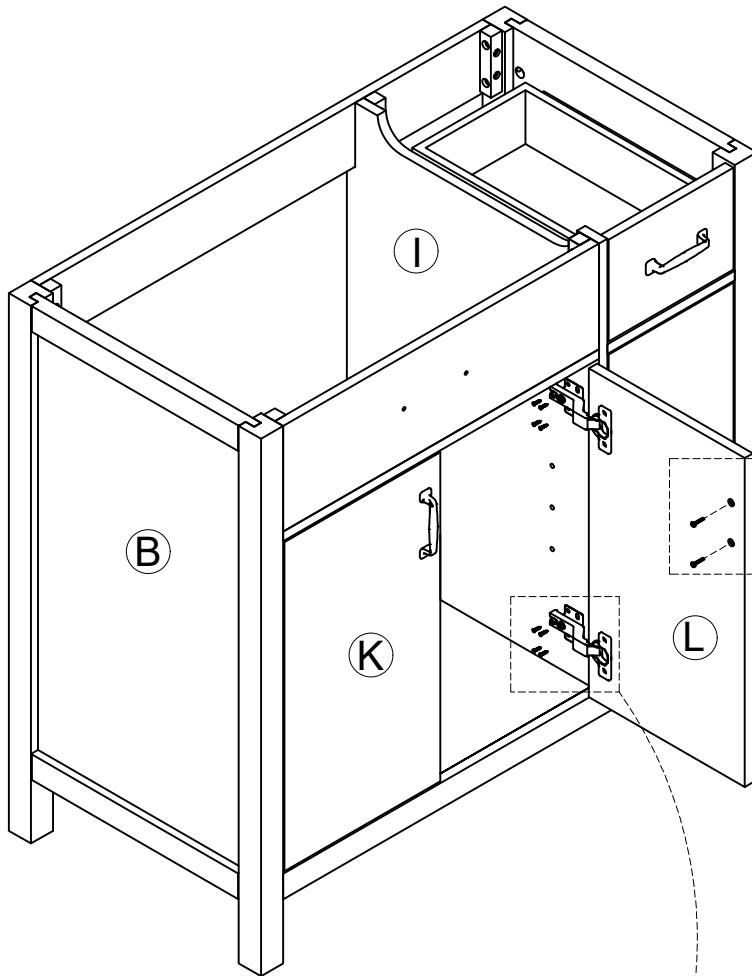
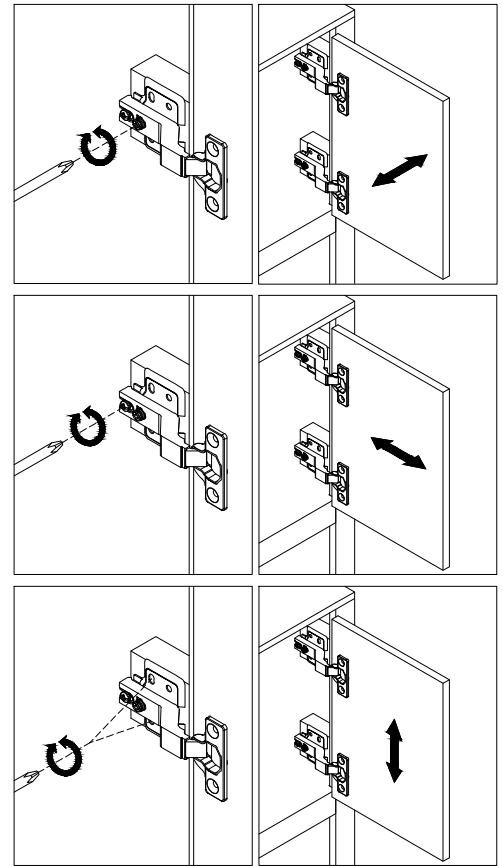
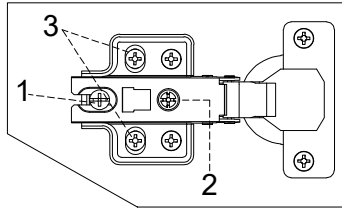


# STEP 28

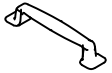
- 10  8pcs  $\text{\O}4 \times 12\text{mm}$
- 1  1pc
- 8  2pcs  $5/32" \times 15\text{mm}$


Three-way adjustable hinge for perfectly aligned doors


- 1. TO ADJUST DOOR FORWARD OR BACKWARD.
- 2. TO ADJUST DOOR TO RIGHT OR TO LEFT.
- 3. TO ADJUST DOOR UP OR DOWN.

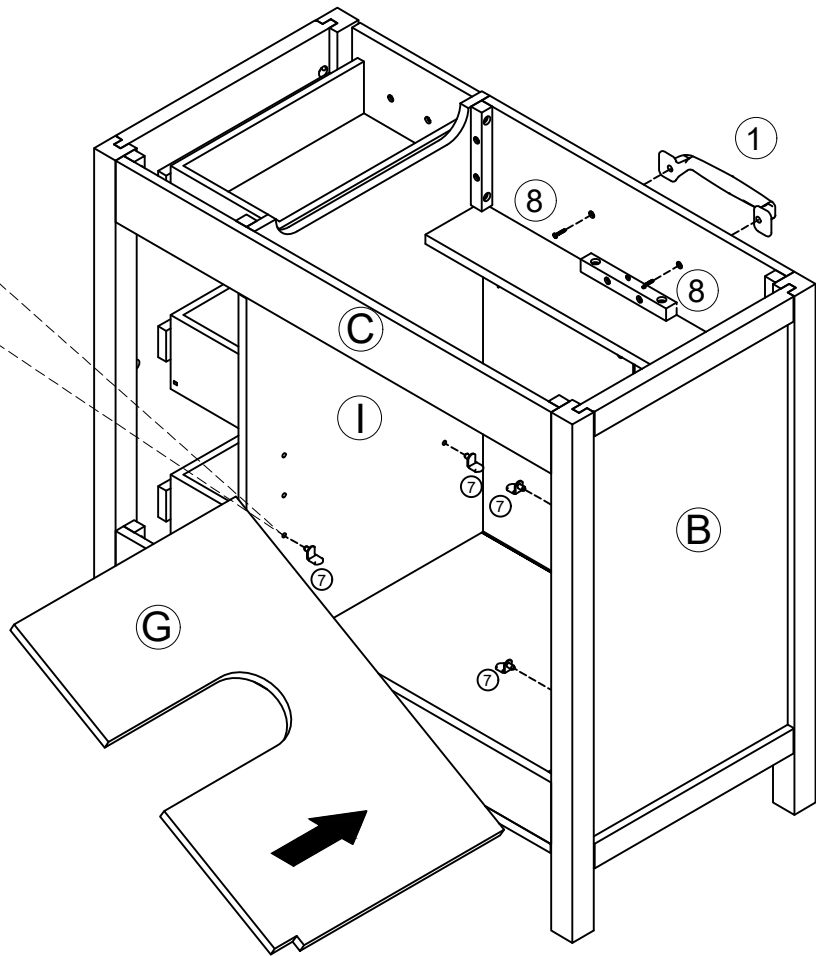
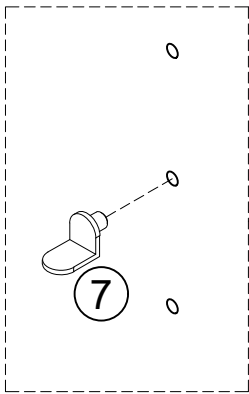


STEP 29

①  1pc

⑧  2pcs  
5/32"x15mm

⑦  4pcs



## STEP 30

To install the Top (1) to the vanity (2).  
Apply silicone caulk to the top edge of the wood cabinet. With the help of another adult, gently lower the Sink top with assembled sink onto the cabinet. Make sure the Sink top is flush with the back side of the wood cabinet and the wood cabinet left and right side walls.

