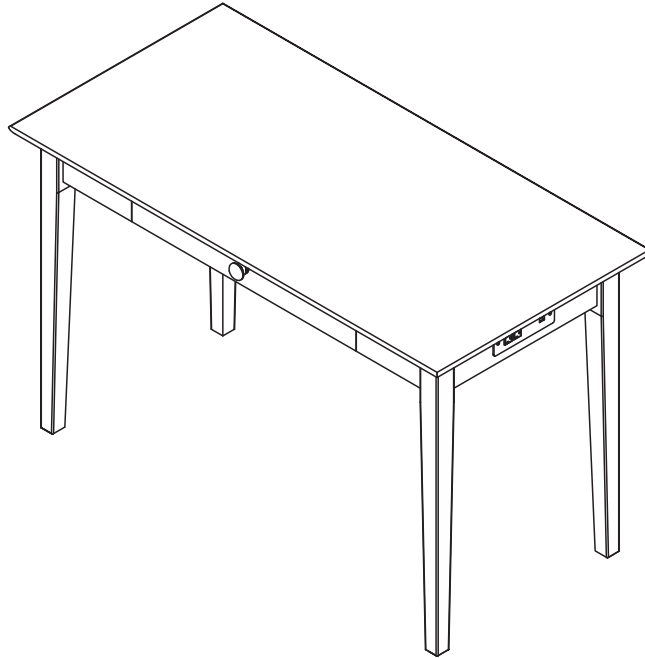
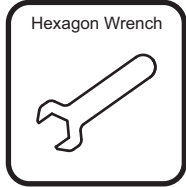


DESK WITH DRAWER CHARGING STATION

ASSEMBLY INSTRUCTIONS

Before assembling your Desk, please read through these instructions carefully and familiarize yourself with the different parts.



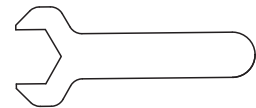
NOTE: WE INCLUDE SPARE HARDWARE IN CASE THE HEXAGON NUT OR WASHER ARE DAMAGED DURING ASSEMBLY.



A Flat washer - 8 pcs
Spare - 2 pcs



B Hexagon nut - 8 pcs
Spare - 2 pcs

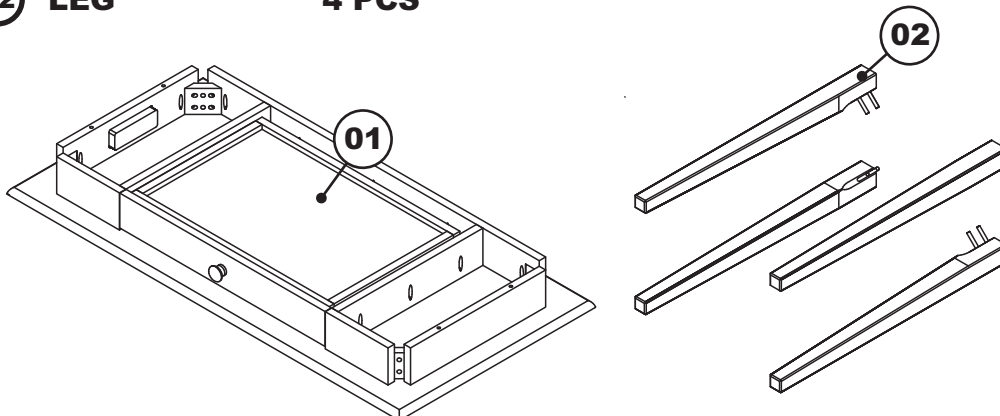


C Hexagon wrench - 1 pc

PARTS LIST

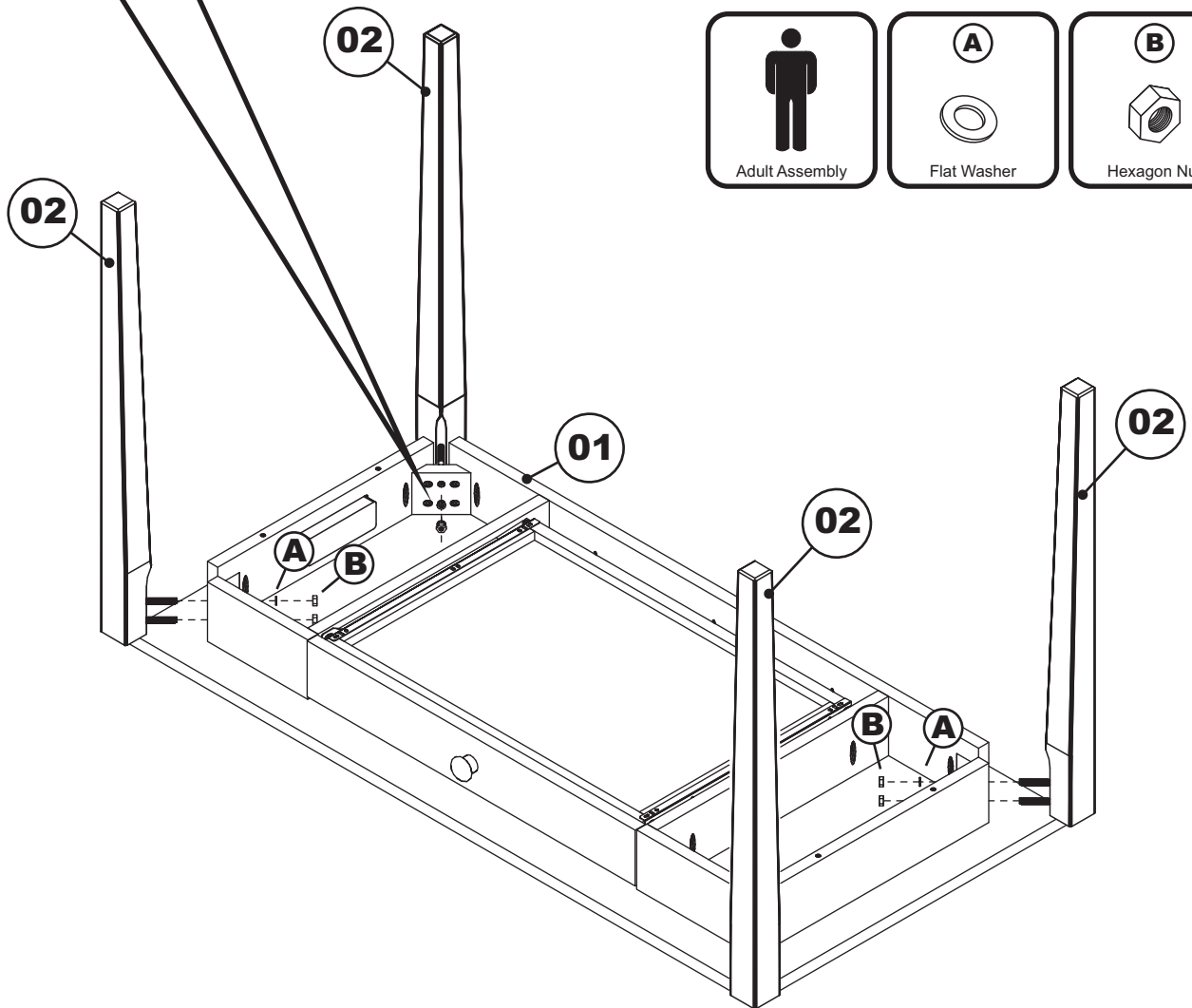
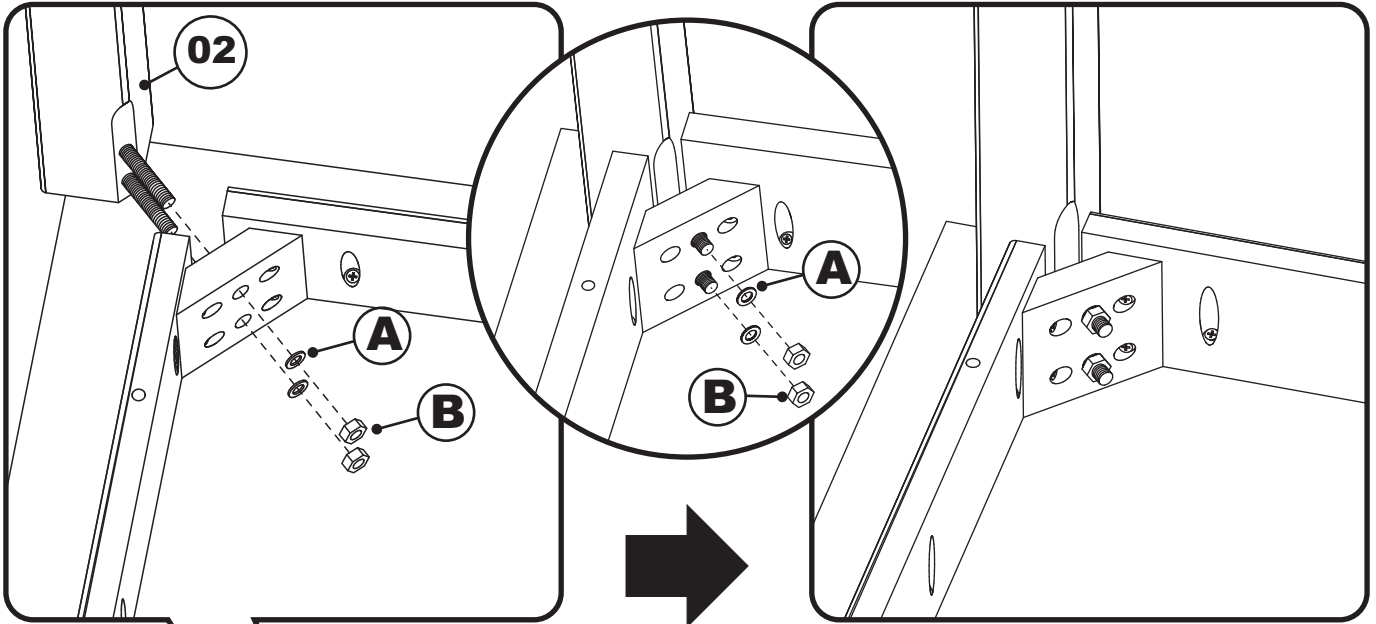
01 TOP PANEL 1 PC

02 LEG 4 PCS



STEP 1

Attach the legs (02) to the top panel (01) using flat washers (A) and hexagon nuts (B), tighten with hexagon wrench (C) as shown below.



Congratulations!

Your Desk is now ready for use.

To ensure lasting safety, we recommend that you periodically check that all screws are tight and all parts are secure.