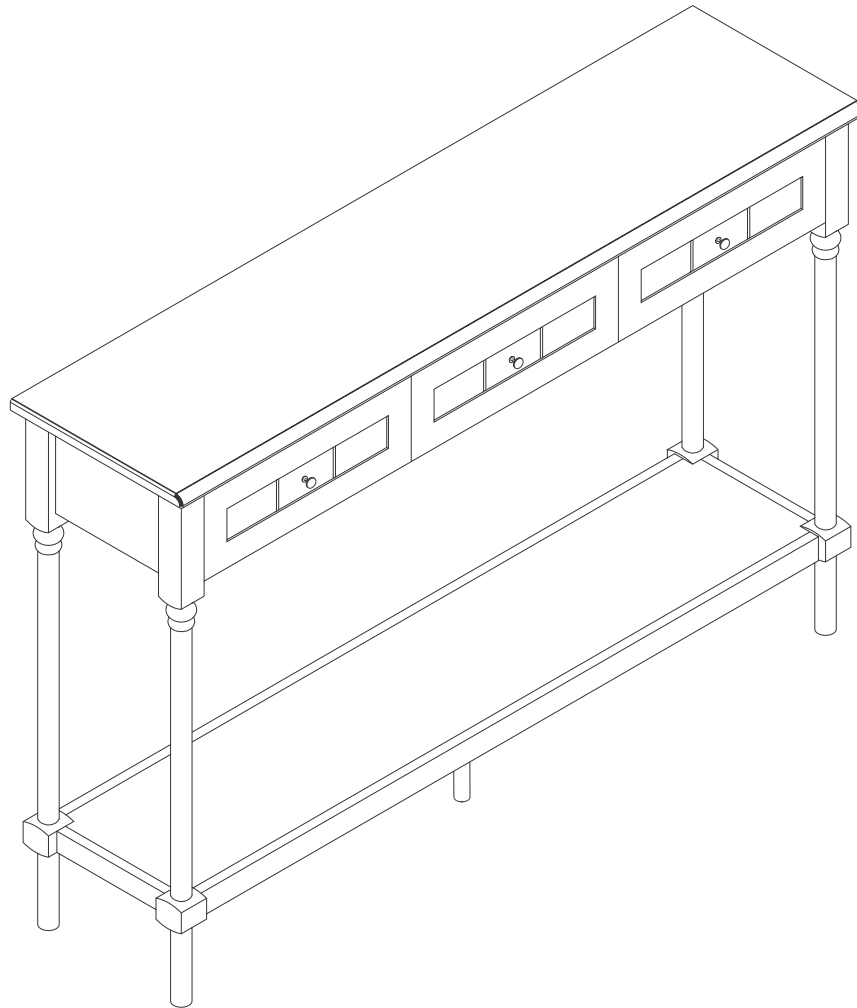


Three Drawer Door Cabinet



Please make sure to read the instruction manual carefully before installing the product.

Do Not Return This Product!

Contact our customer service team
for help first.

WARNING

- Unit can tip over causing severe injury or death.
- Anchor unit to stud in wall (if instructed to)
- Do Not allow children to climb on unit.
- put heavy items on lower shelves or drawers.

**PEOPLE NEEDED
FOR ASSEMBLY:2**

CONTACT US!

Do NOT return this product!

Contact our friendly customer service team first for help.

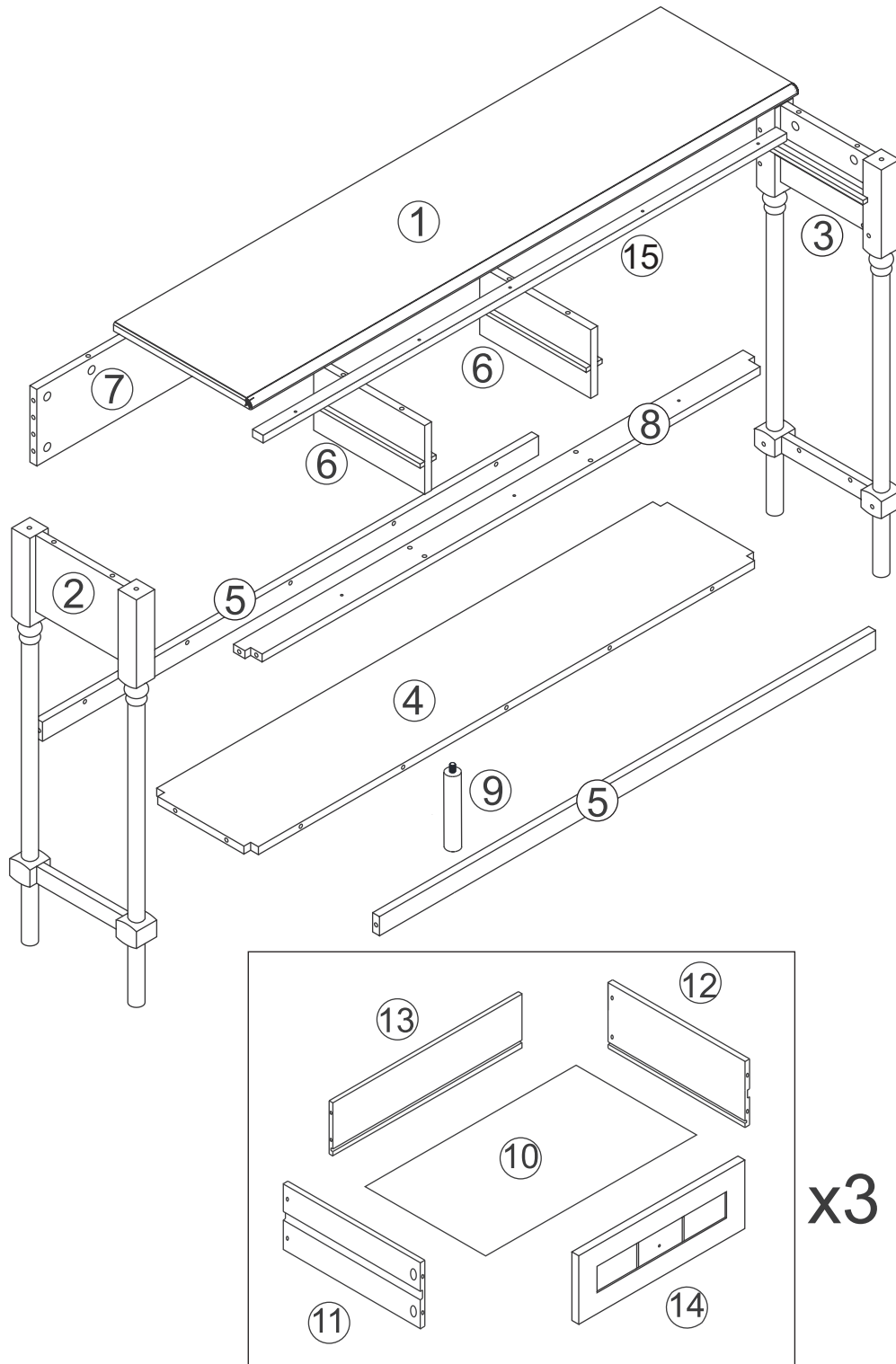
- Open your item in the area you plan to keep it to avoid excessive heavy lifting.
- Identify, sort and count the parts before attempting assembly.
- Back panel must be used to make sure your unit is sturdy.
- Do NOT use harsh chemicals or abrasive cleaners on this item.
- Never push,pull,or drag your furniture.



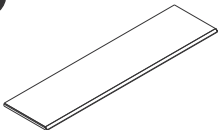
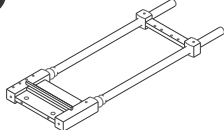
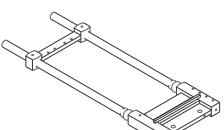
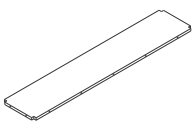
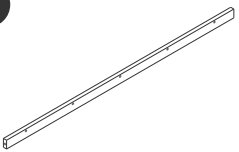
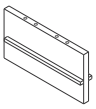
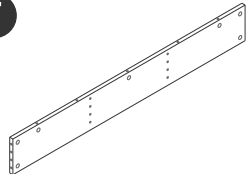
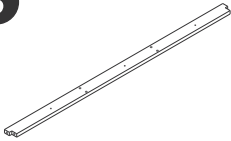

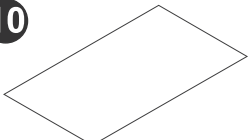
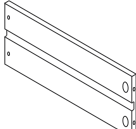
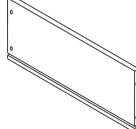
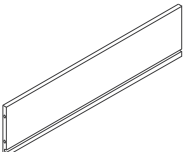
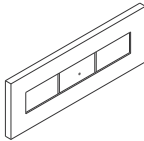
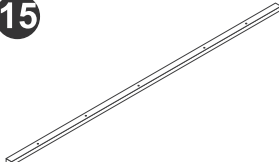
BEFORE YOU START

- Read through each step carefully and follow the proper order
- Separate and count all your parts and hardware
- Give yourself enough room for the assembly process
- Have the following tools:Flat Head Screwdriver,#2 Phillips Head Screwdriver and Hammer
- Caution: IF using a power drill or power screwdriver for screwing,please be aware to slow down and stop when screw is tight.Failure to do so may result in stripping the screw.

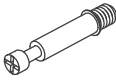



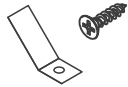

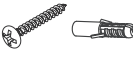


BOARD IDENTIFICATION



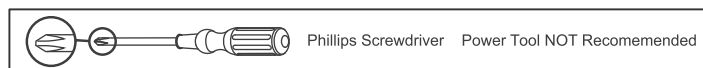
BOARD IDENTIFICATION

1  1PC	2  1PC	3  1PC	4  1PC
5  2PC	6  2PC	7  1PC	8  1PC
9  1PC	10  3PC	11  3PC	12  3PC
13  3PC	14  3PC	15  1PC	

THE HARDWARE

A x39	B x39	C x20	D x25	E x3
				
Cam Bolt	Cam Lock	Wood Dowel	Screw	Drawer Rails
Ø6x35mm	Ø15x10mm	Ø6x30mm	Ø4x30mm	Ø 3x12mm
F x2	G x2	H x3	I x5	
				
Anti-fall	Anti-fall	Handle	EVE Pads	
		Ø4x20mm		

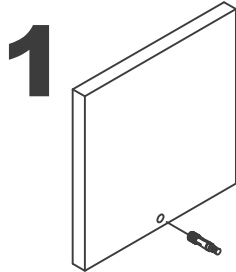
IMPORTANT :



1. Do not tighten bolts / screws completely until all bolts / screws are lined up and inserted into holes.
2. Do not over tighten screws and bolts to avoid stripping.
3. Please use hand tools to assemble this product. Do not use power tools.

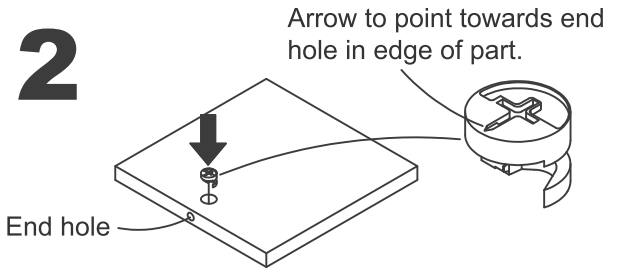
CAM LOCK FASTENING SYSTEM

This Cam Lock Fastening System will be used throughout the assembly process.



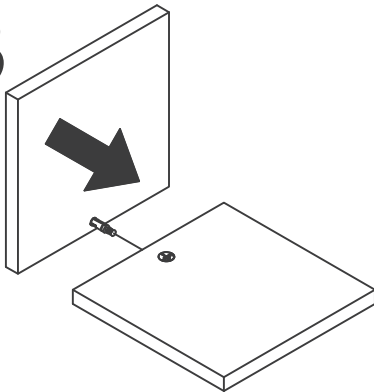
1 Press CAM BOLT into hole.

2



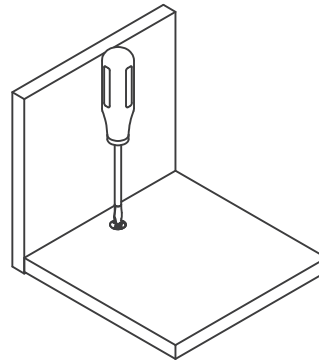
Press CAM LOCK into hole.

3

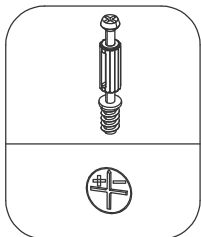


Press parts together so CAM BOLT inserts into edge hole.

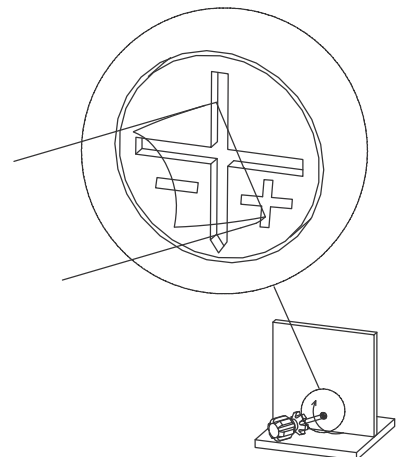
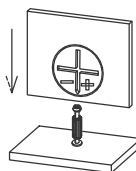
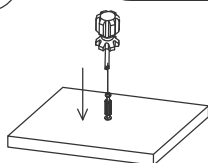
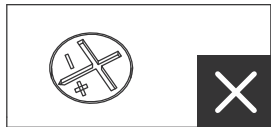
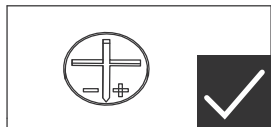
4



Using a screwdriver, turn the CAM LOCK clockwise to lock the CAM LOCK and CAM BOLT into their holes and fastening parts together.

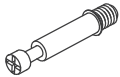


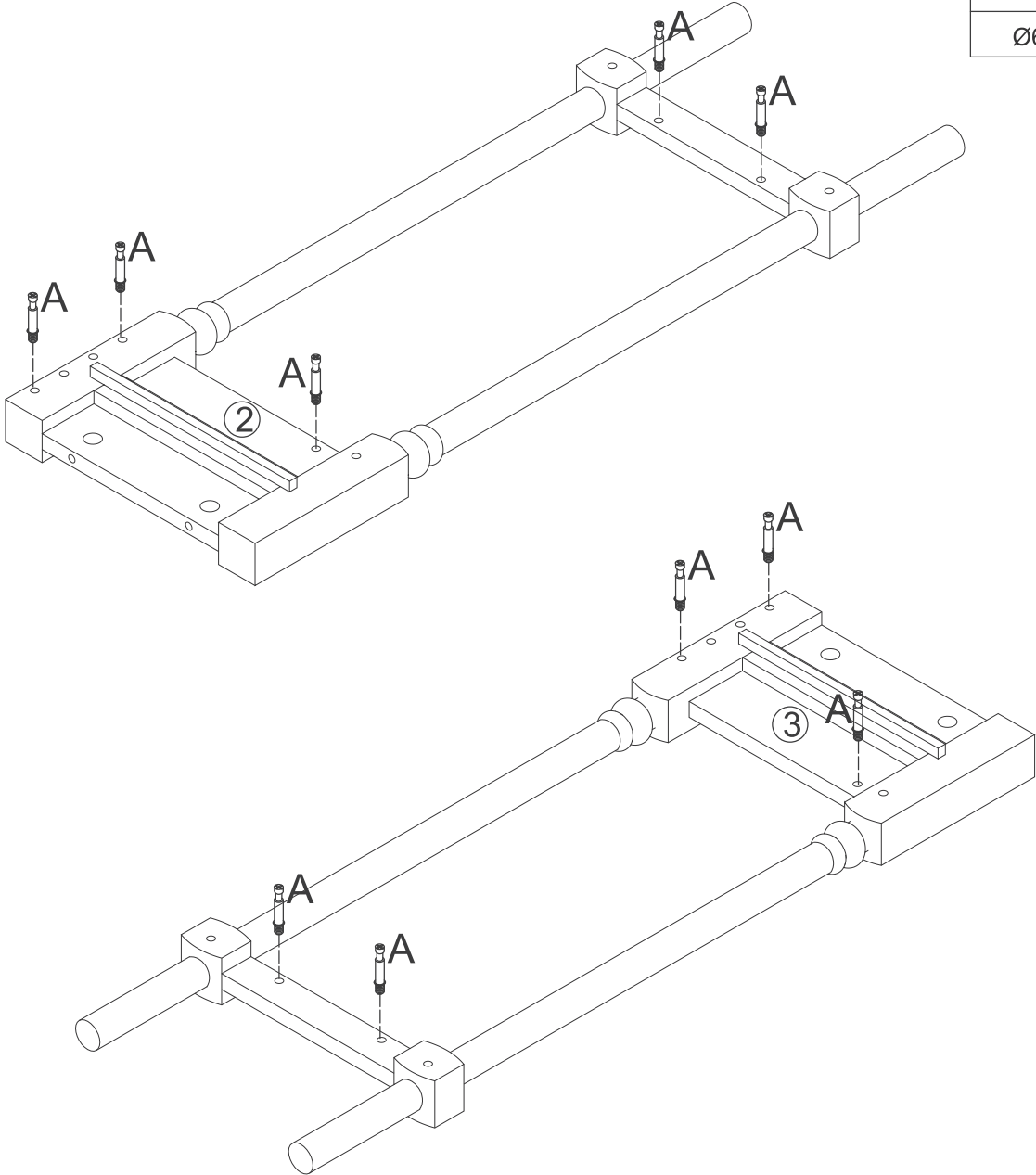
Notice: Proper orientation of CAM LOCK



INSTALLATION STEPS

STEP 1

A x10

Cam Bolt
Ø6x35mm

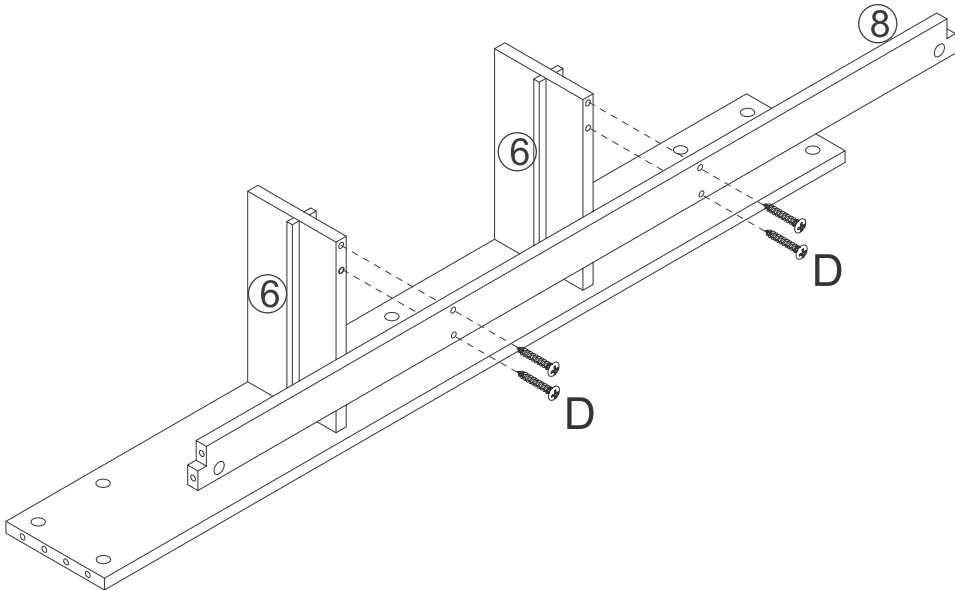
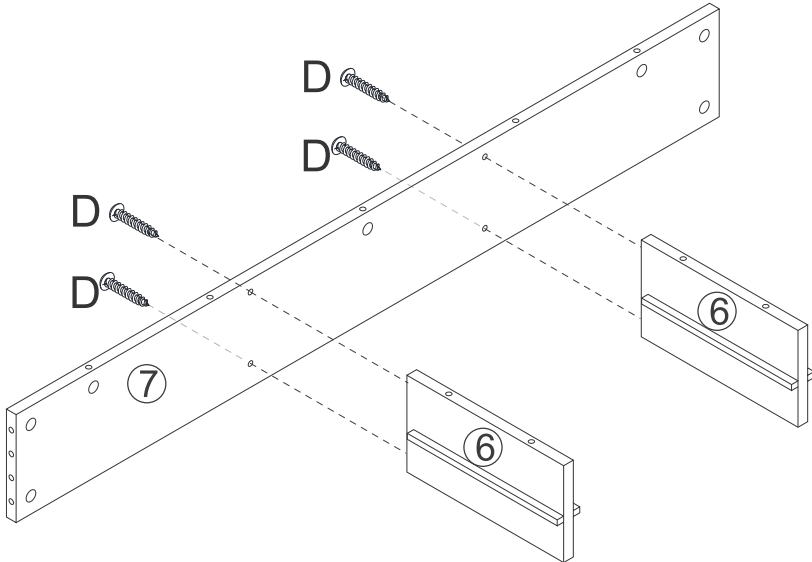


INSTALLATION STEPS



STEP 2




D x8
Screw
Ø4x30mm

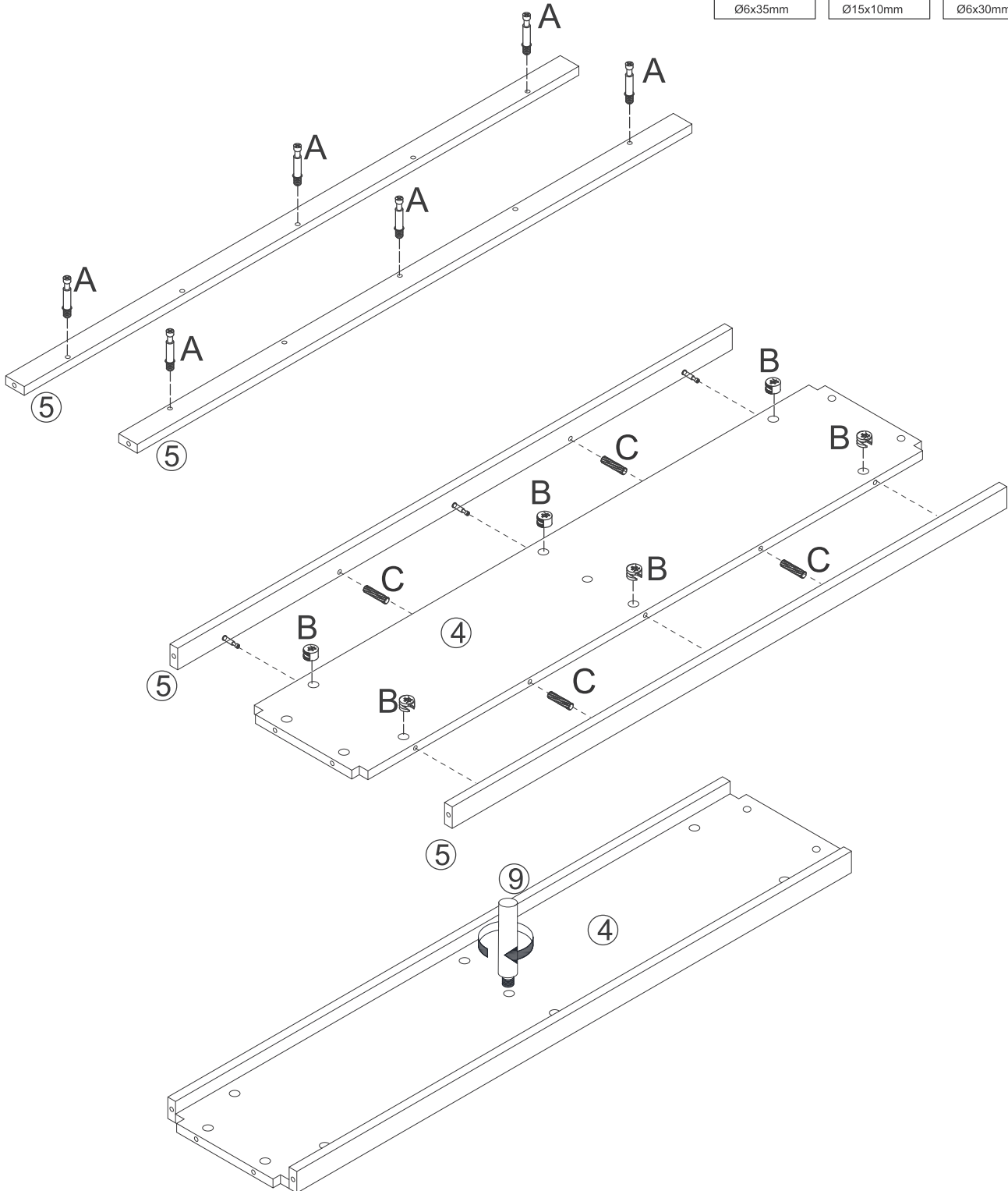




STEP 3


INSTALLATION STEPS


A x6  Cam Bolt Ø6x35mm	B x6  Cam Lock Ø15x10mm	C x4  Wood Dowel Ø6x30mm
---	--	---

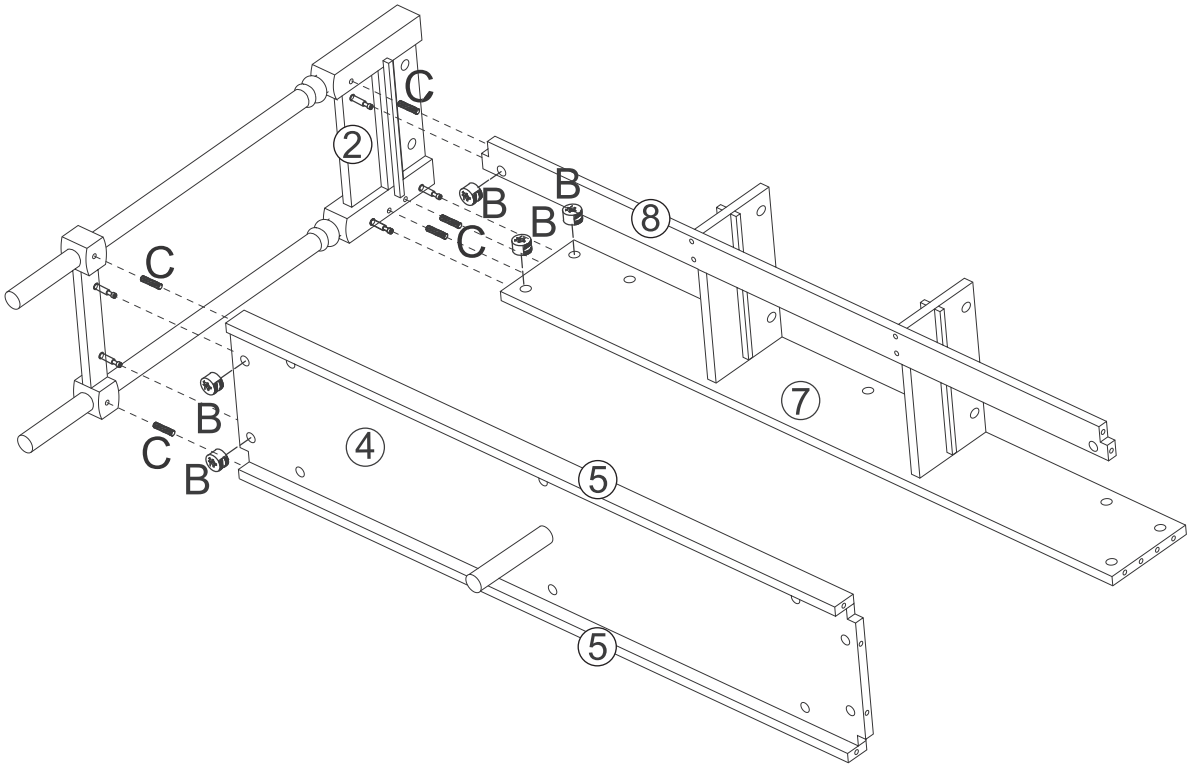


INSTALLATION STEPS

 **STEP 4**


B x5

Cam Lock
Ø15x10mm


C x5

Wood Dowel
Ø6x30mm




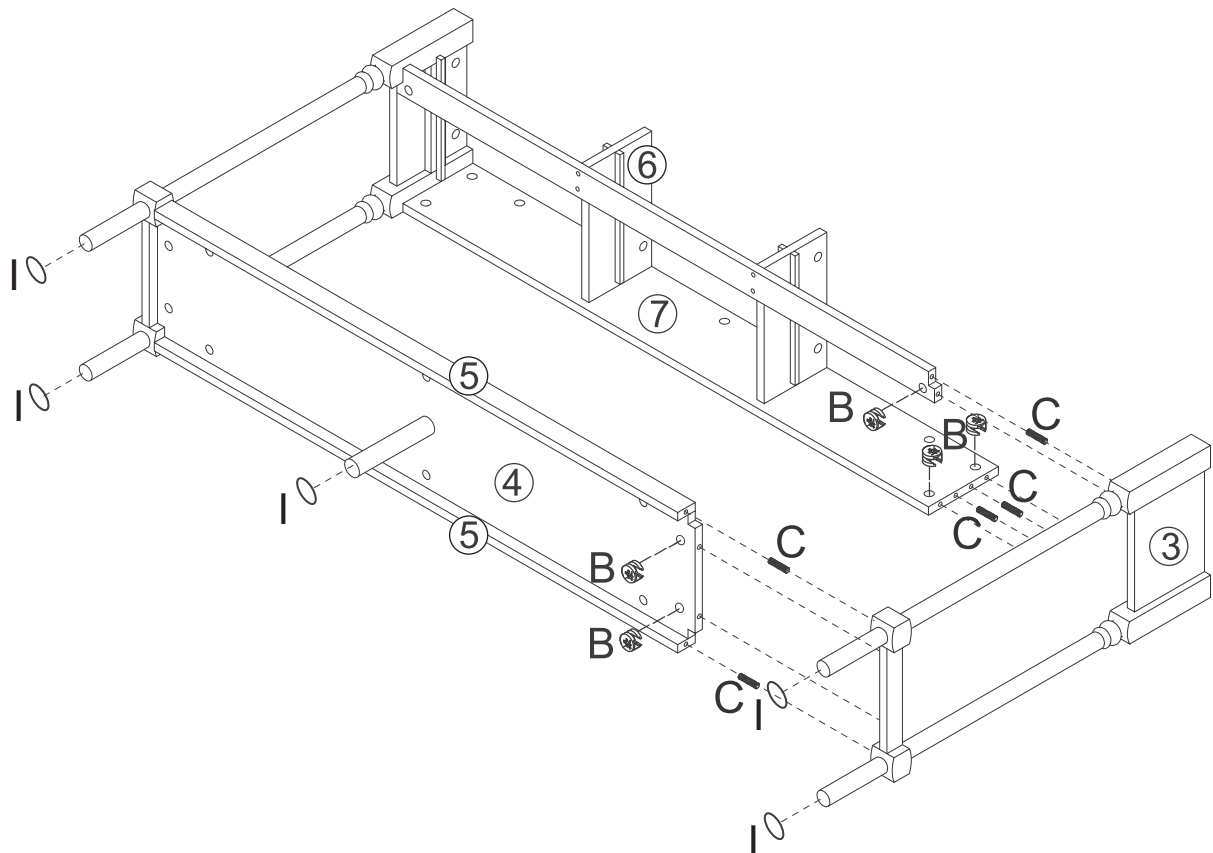
INSTALLATION STEPS

STEP 5

B x5

Cam Lock
Ø15x10mm

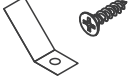
C x5

Wood Dowel
Ø6x30mm

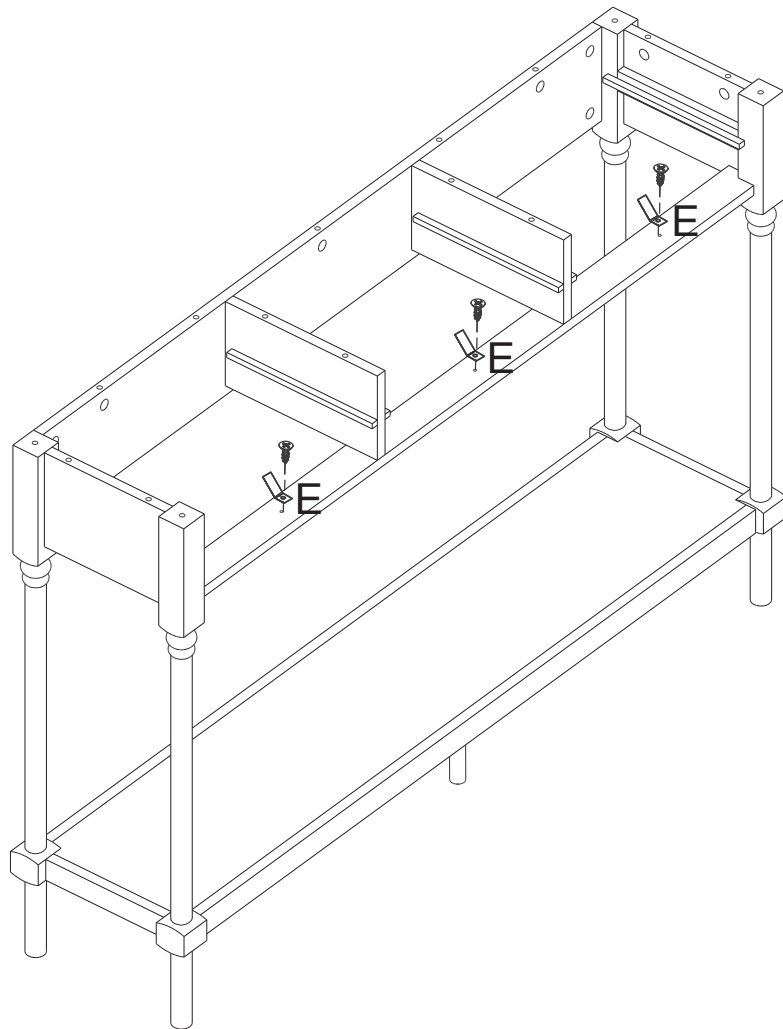
I x5

EVE Pads



INSTALLATION STEPS

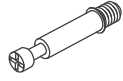
STEP 6

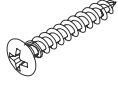
E x3

Drawer Rails
Ø3x12mm




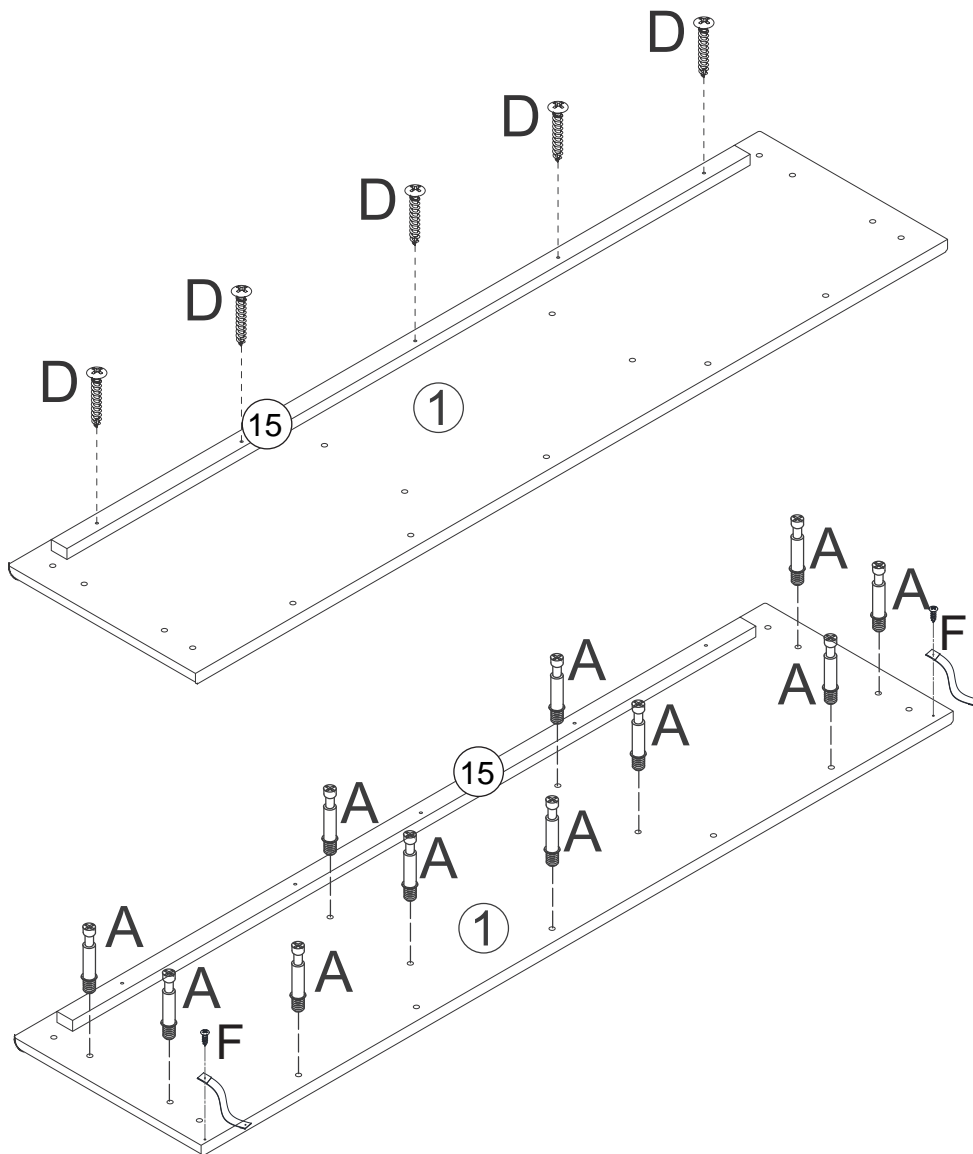
INSTALLATION STEPS

STEP 7

A x11

Cam Bolt
Ø6x35mm


D x5

Screw
Ø4x30mm


F x2

Anti-fall

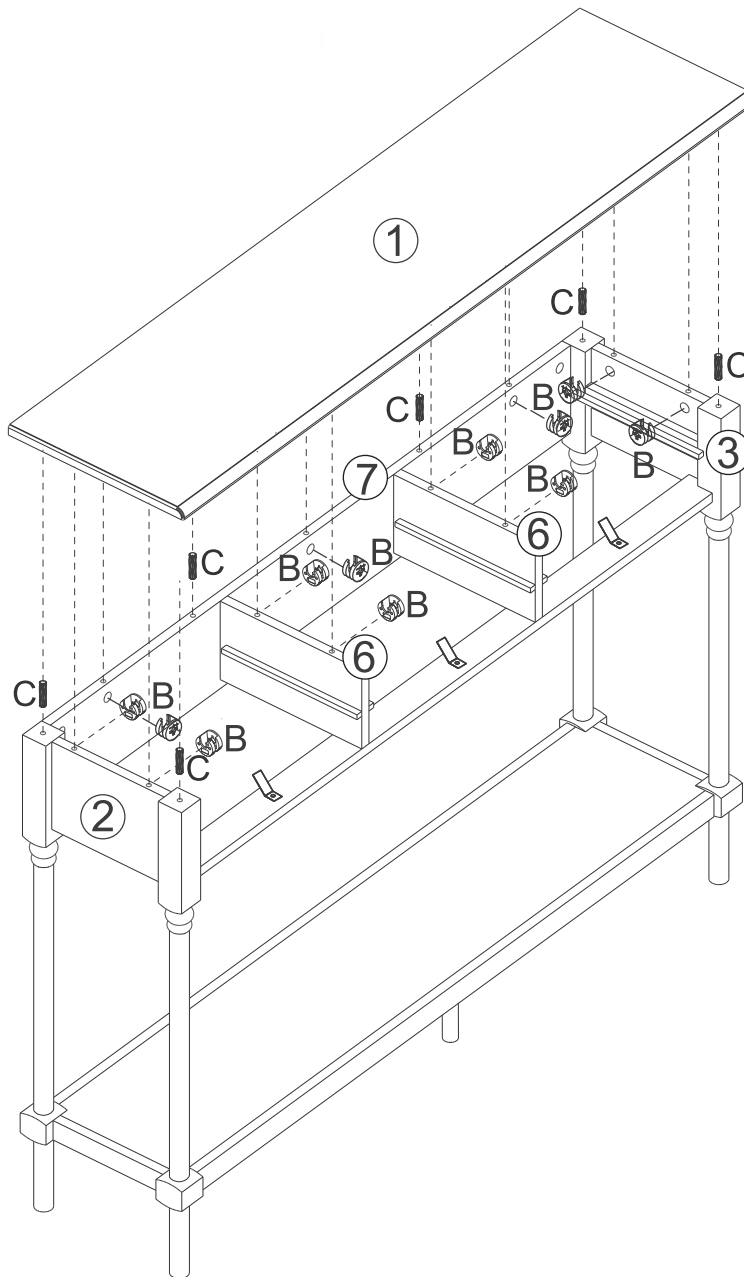


INSTALLATION STEPS

STEP 8

B x11

Cam Lock
Ø15x10mm

C x6

Wood Dowel
Ø6x30mm





STALLATION STEPS

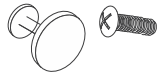
STEP 9

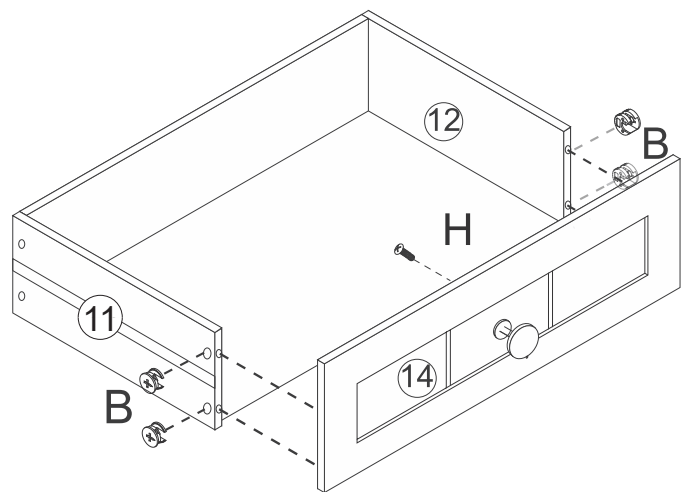
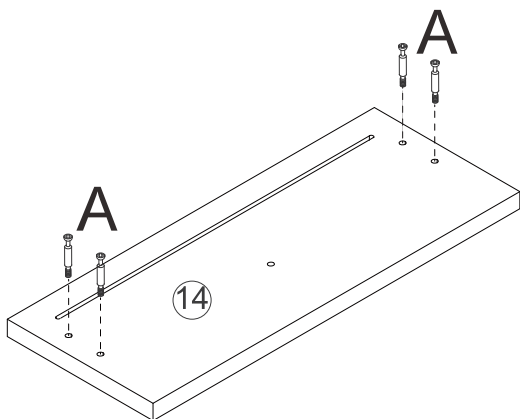
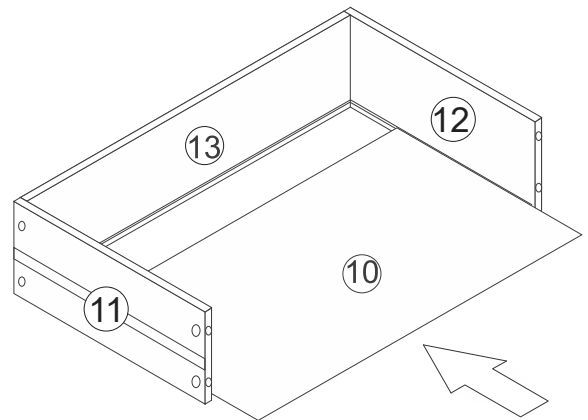
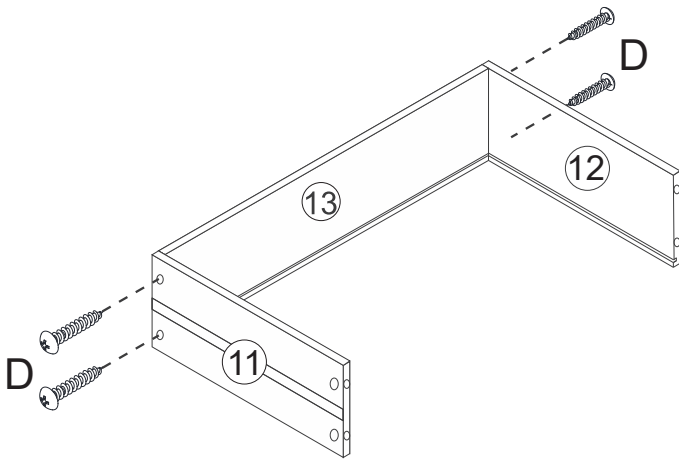
A x12

Cam Bolt
Ø6x35mm

B x12

Cam Lock
Ø15x10mm

D x 12

Screw
Ø4x30mm

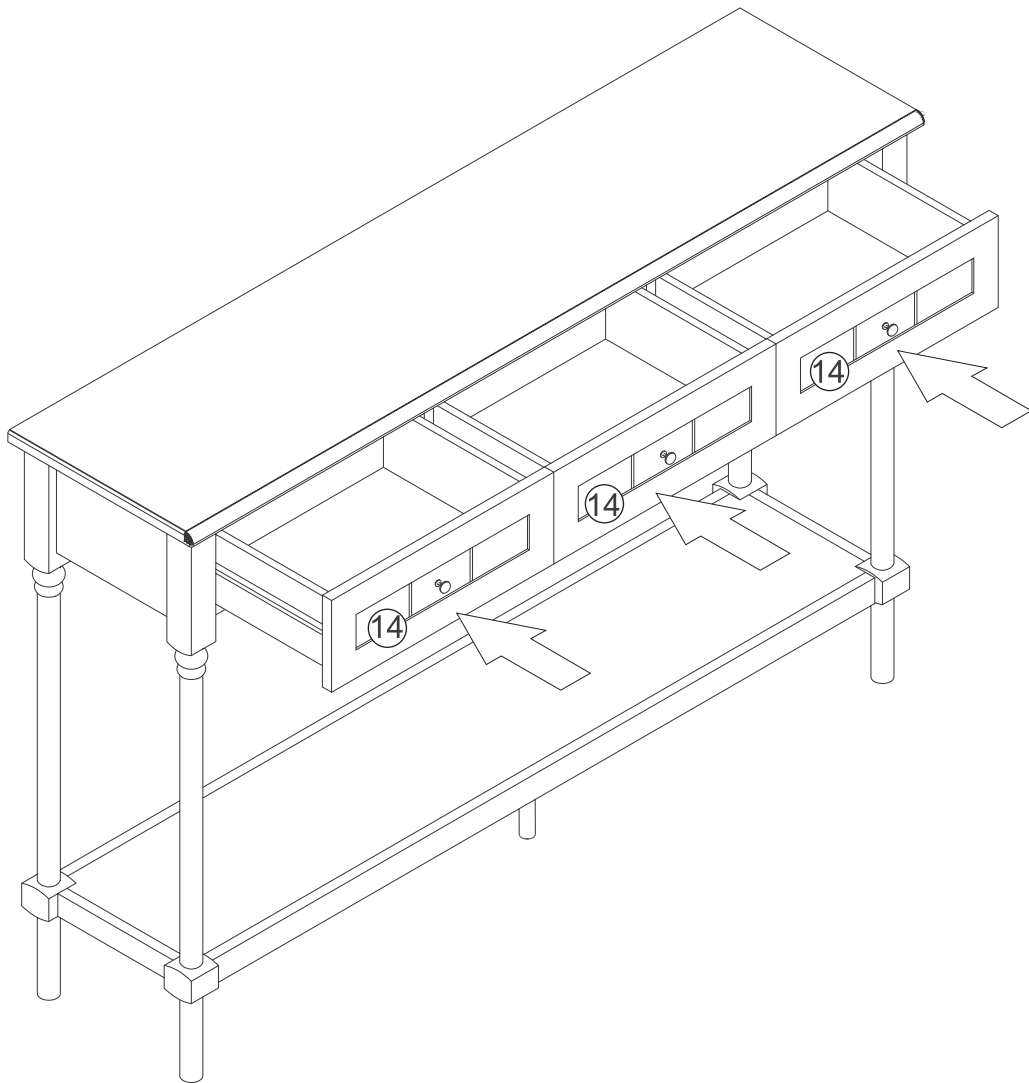
H x3

Handle
Ø4x20mm



x3

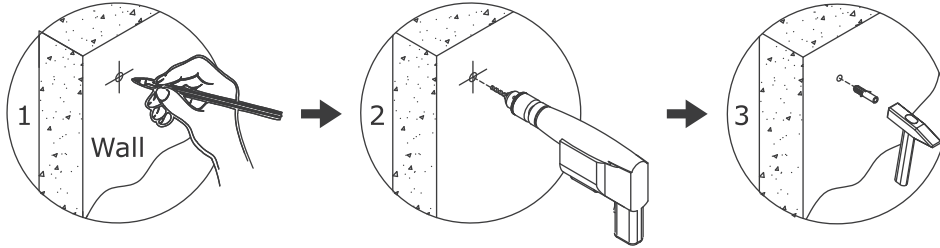
STALLATION STEPS

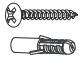
STEP 10



 **STEP 11**

STALLATION STEPS



G x2

Anti-fall

Tips: This step is to install the anti-tipping device system, which requires drilling holes in the wall

