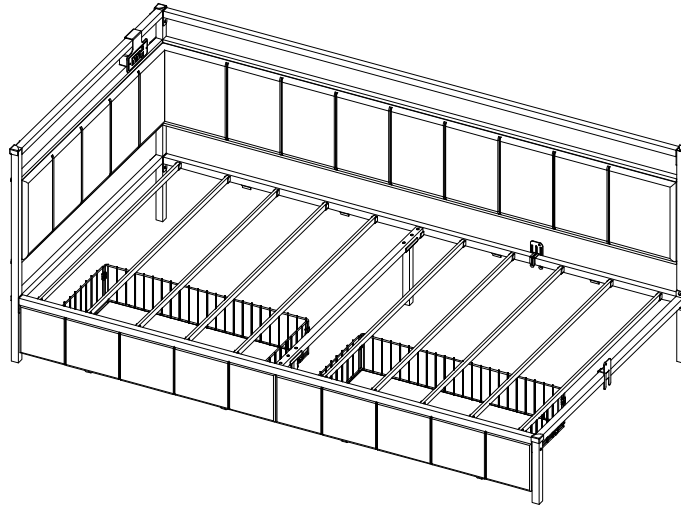
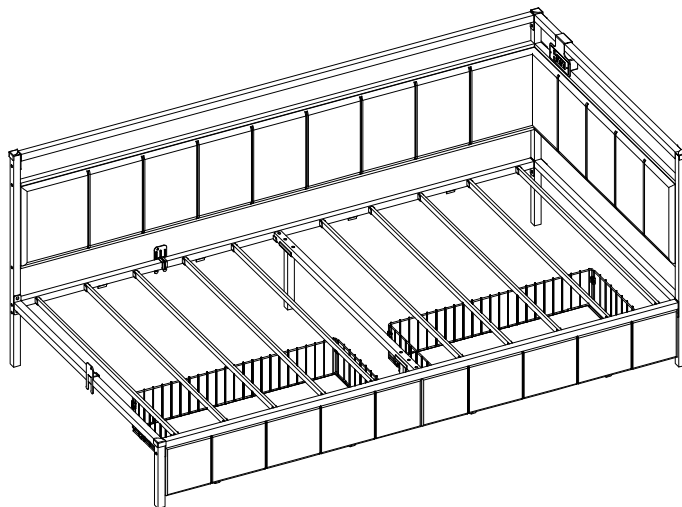


ASSEMBLY INSTRUCTIONS

Installation guide A : The page number corresponding to the installation procedure is Page 5-12. The head of the bed is on the left side facing the bed (as the figure shows) .



Installation guide B : The page number corresponding to the installation procedure is Page 13-20. The head of the bed is on the right side facing the bed (as the figure shows) .



DEAR CUSTOMER,

Caution:

1. Please read all instructions before assembly and check the carton for any parts that may have come loose during shipment. It is recommended to use two or more persons during the assembly process.
2. Please do not discard any packaging before you have checked all the parts and fittings are included. if for any reason this product needs to be returned it must be returned packed in its original packaging.
3. Assemble this product on a flat and clean surface to avoid scratching.


You can choose mobile control or RF Remote Control

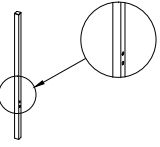
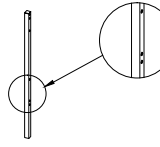
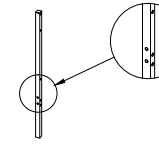
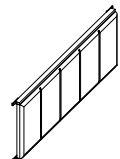
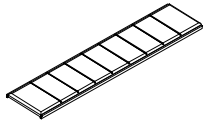
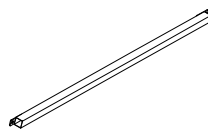
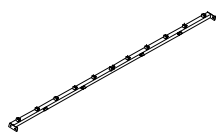
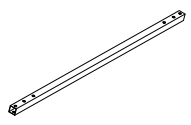
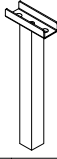
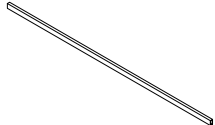
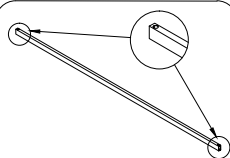
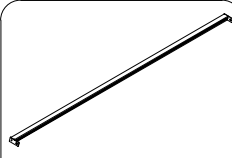
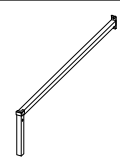
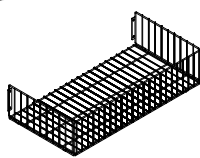
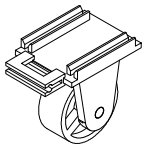
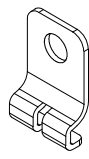
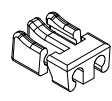
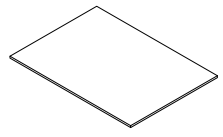
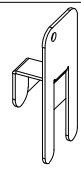
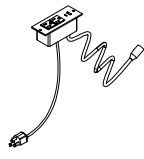
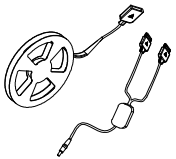
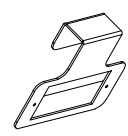
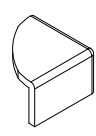
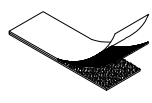

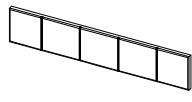
First, pull out the plastic card on the RF Remote Controller and power on the RF Remote Controller.

Mobile phone control steps:


1. Connect LED Lamp and RF RGB Controller.
2. Plug in the Adaptor Power supply.
3. Scan the RF RGB Controller QR code on the controller and download the software LotusLantern.
4. Turn on the Bluetooth function of the mobile phone and search for Bluetooth pairing "Trinoes".
5. Open the "LotusLantern" APP and switch colors change.
Click the music switch to realize the skip mode of different LED lights.
Press the timing switch to realize the automatic light off function, etc.

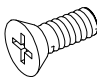
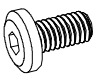
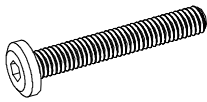
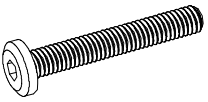
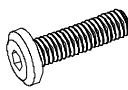

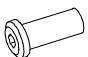
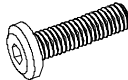

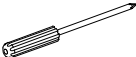
Hardware List

 Pls make sure all the accesories are complete!

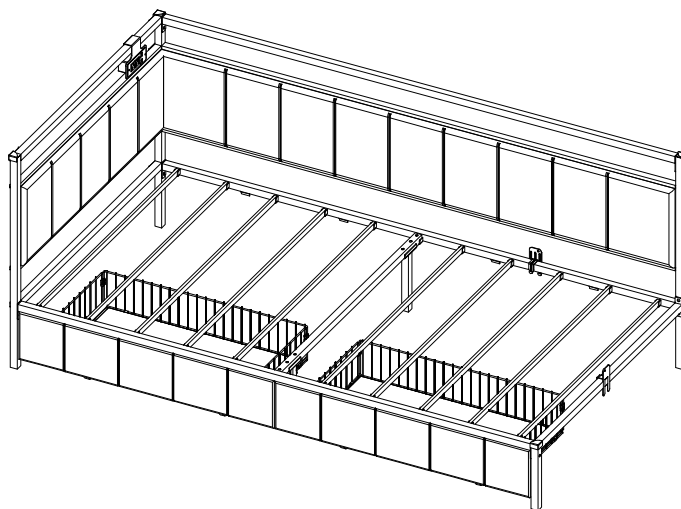
 ① 1PC	 ② 1PC	 ③ 1PC	 ④ 1PC	 ⑤ 1PC
 ⑥ 2PCS	 ⑦ 2PCS	 ⑧ 1PC	 ⑨ 2PCS	 ⑩ 8PCS
 ⑪ 2PCS	 ⑫ 1PC	 ⑬ 1PC	 ⑭ 2PCS	 ⑮ 8PCS
 ⑯ 2PCS	 ⑰ 4PCS	 ⑱ 2PCS	 ⑲ 2PCS	 ⑳ 1PC
 ㉑ 1PC	 ㉒ 1PC	 ㉓ 4PCS	 ㉔ 2PCS	 ㉕ 2PCS
 ㉖ 2PCS				

Hardware List

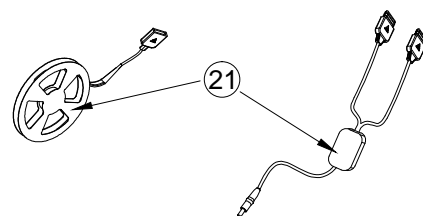
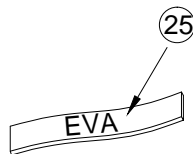
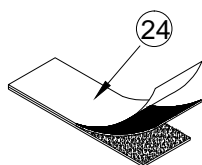
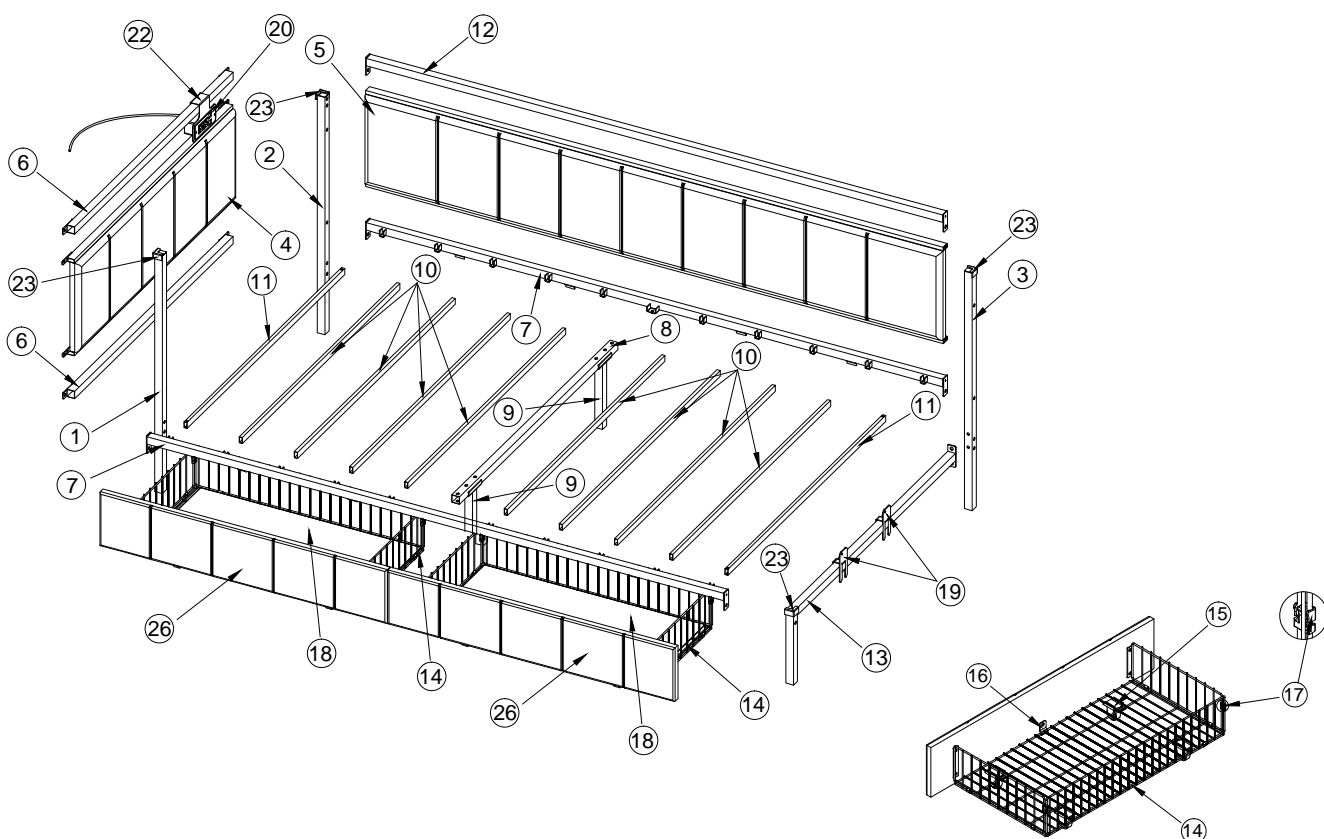
 Pls make sure all the accesories are complete!

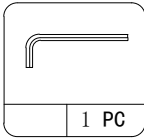
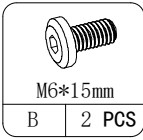
 M4*10	 M6*15mm	 M6*45mm	 M8*45mm	 M6*35mm
A 2PCS	B 21PCS	C 4PCS	D 6PCS	E 6PCS
 φ8	 M6*20mm	 M5*25mm		
F 5PCS	G 8PCS	H 4PCS	2PCS	1PC

Installation guide A--Page 5-12



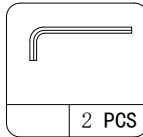
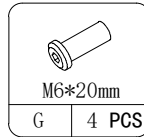
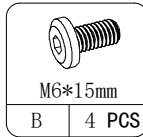
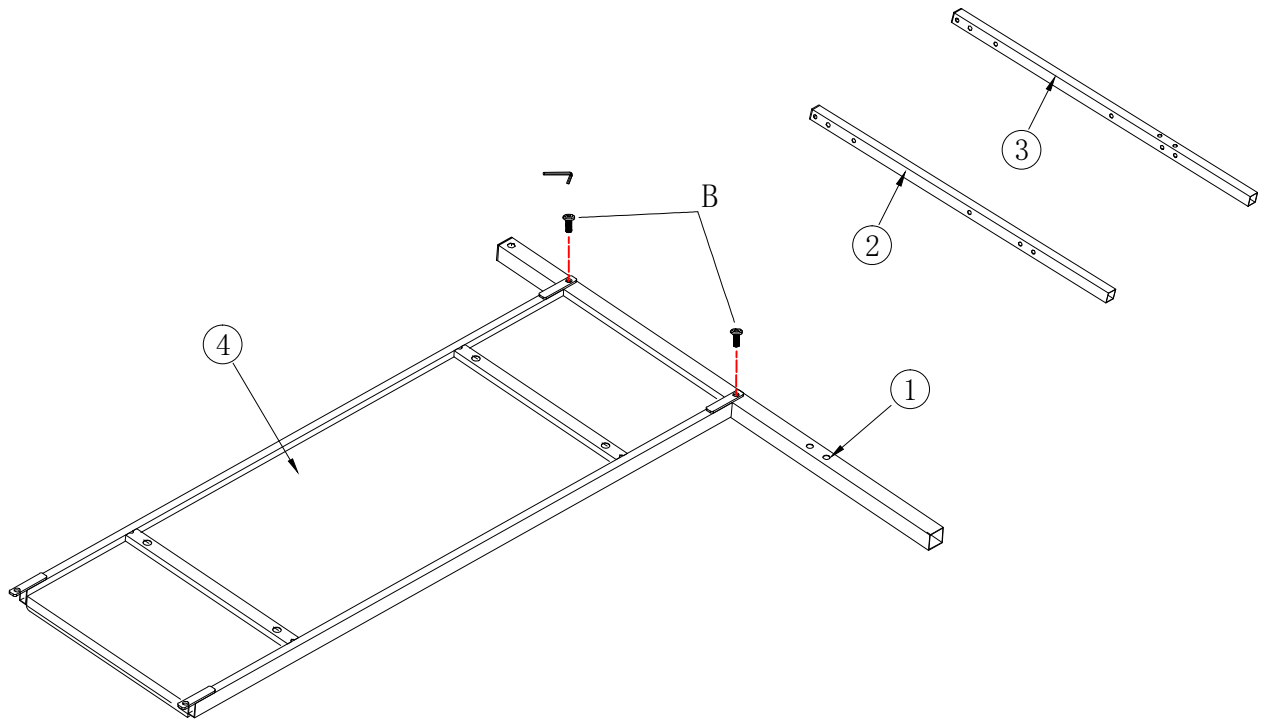
The head of the bed is on the left side facing the bed (as the figure shows) .





Pay attention to distinguish 1\2\3 parts to avoid installation errors.

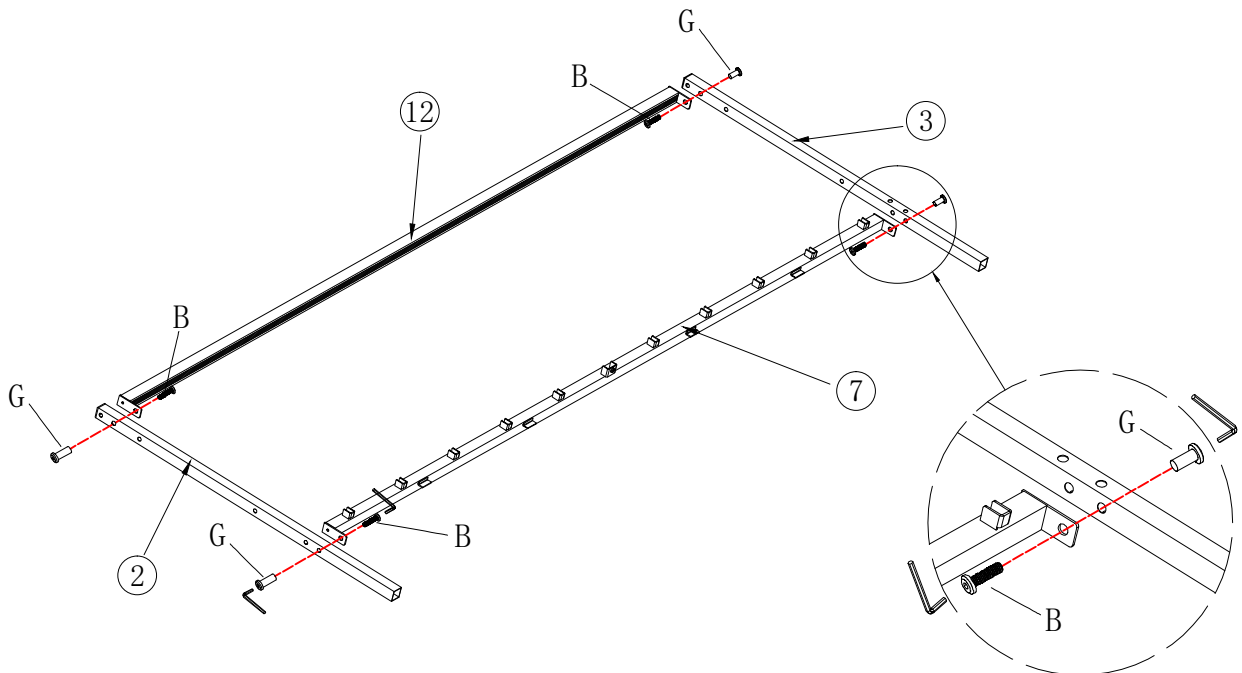
1





After screwing all screws into the holes, tighten them again.


Pay attention to distinguish 2\3 parts to avoid installation errors.

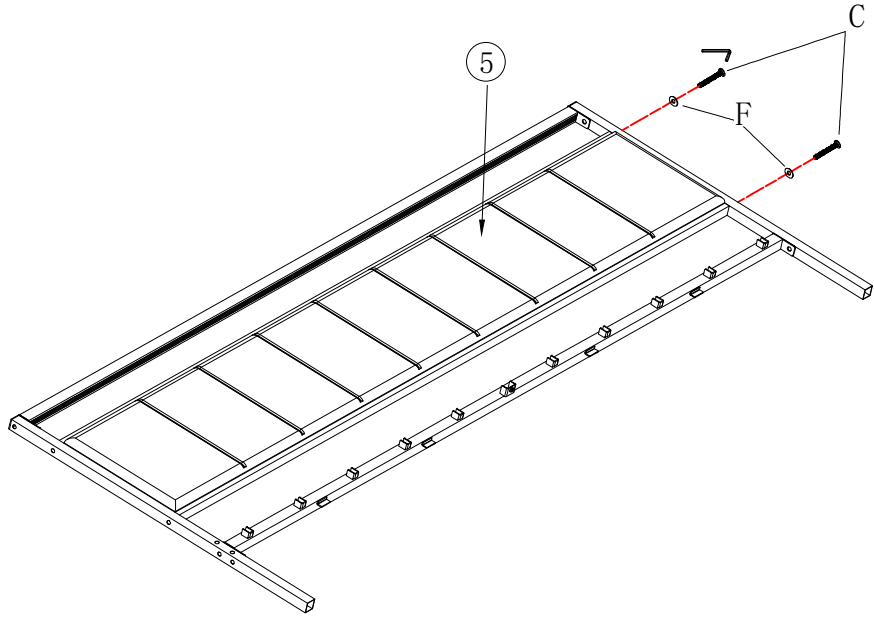
2





	
M6*45mm	
C	2 PCS

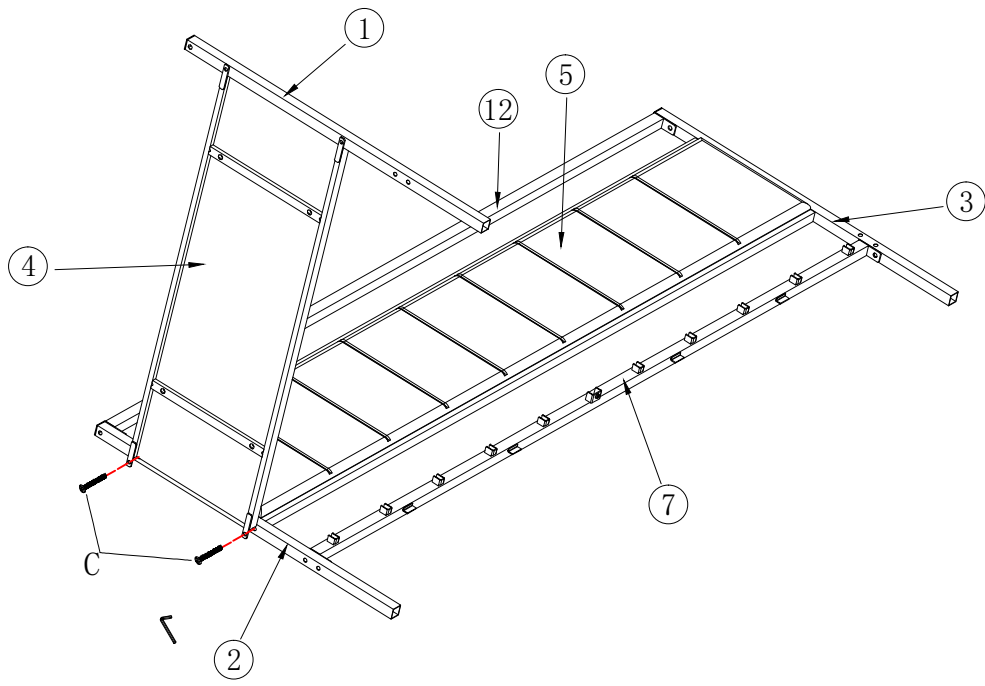
	
ø8	
F	2 PCS






	
1 PC	



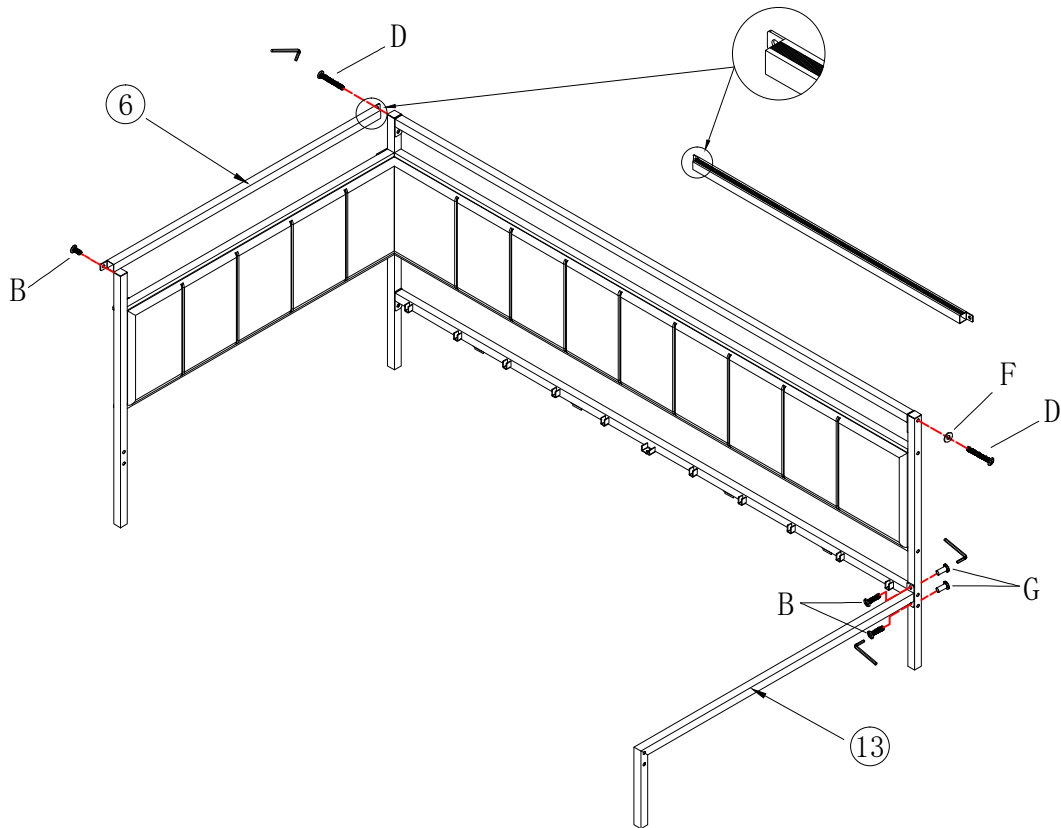
	
M6*45mm	
C	2 PCS

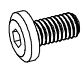




	
1 PC	

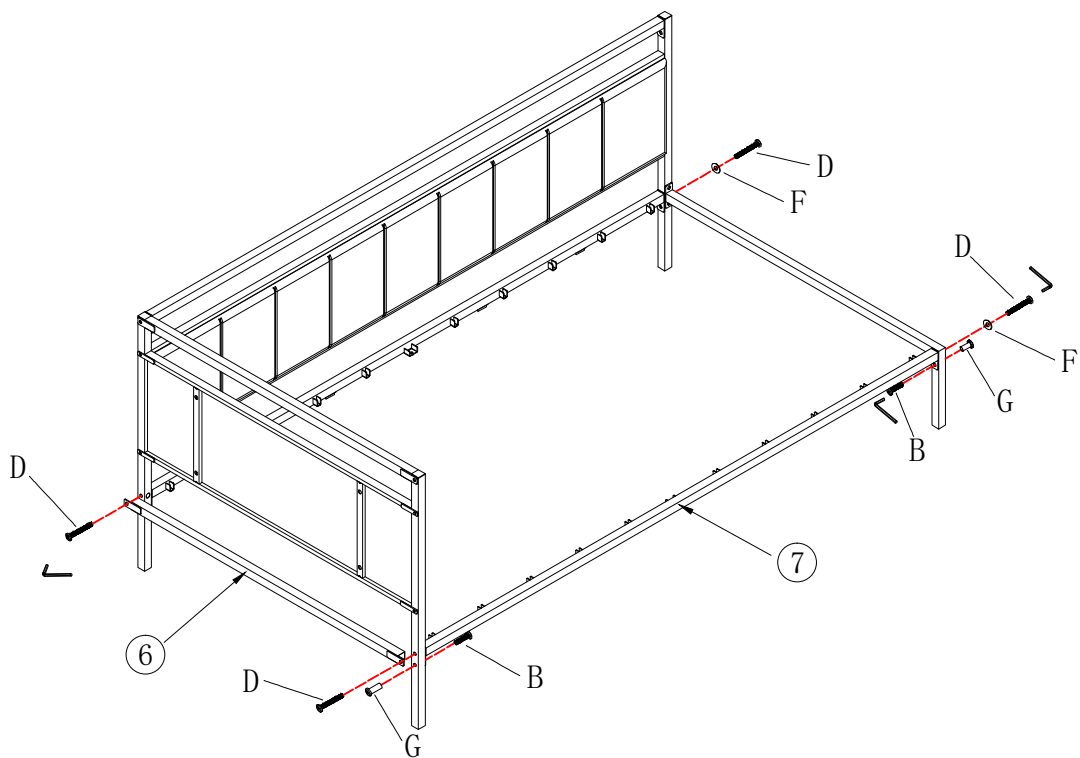


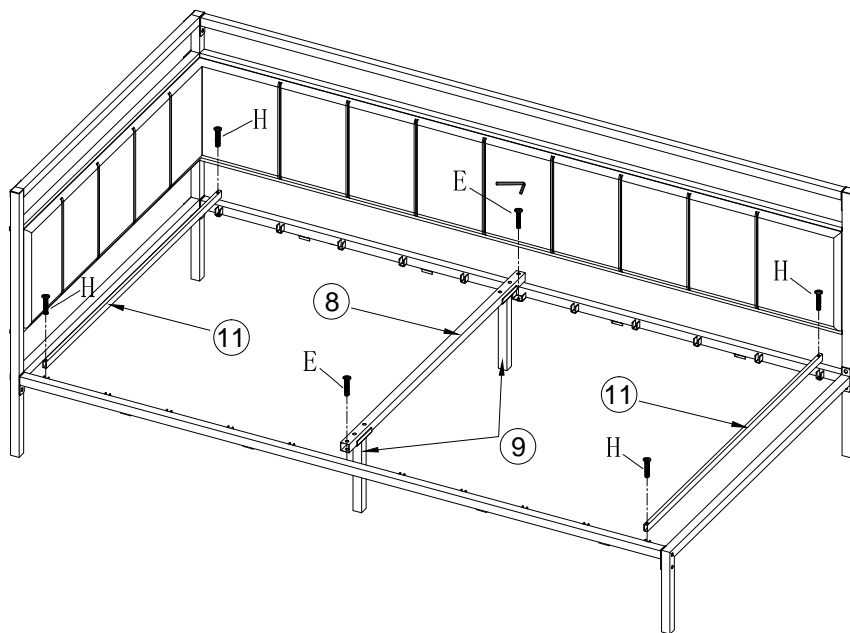
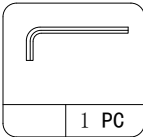
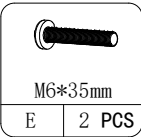
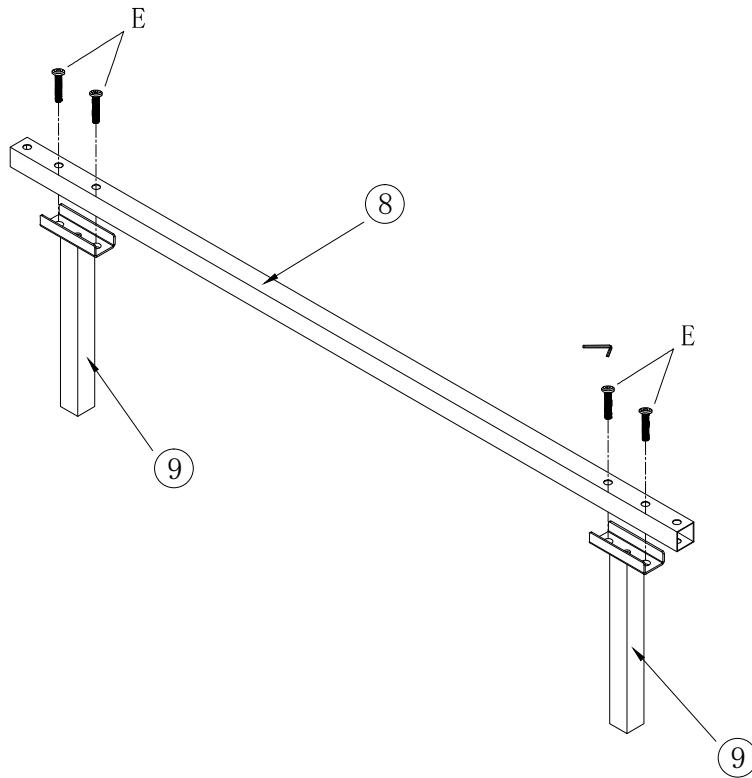
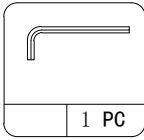
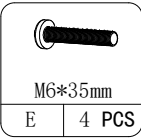
				
M6*15mm	M8*45mm	M6*20mm	ø8	
B 3 PCS	D 2 PCS	G 2 PCS	F 1 PC	2 PCS

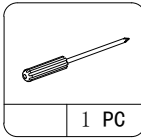
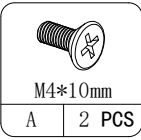
There is a taped EVA face down.



				
M6*15mm	M8*45mm	M6*20mm	ø8	
B 2 PCS	D 4 PCS	G 2 PCS	F 2 PCS	2 PCS

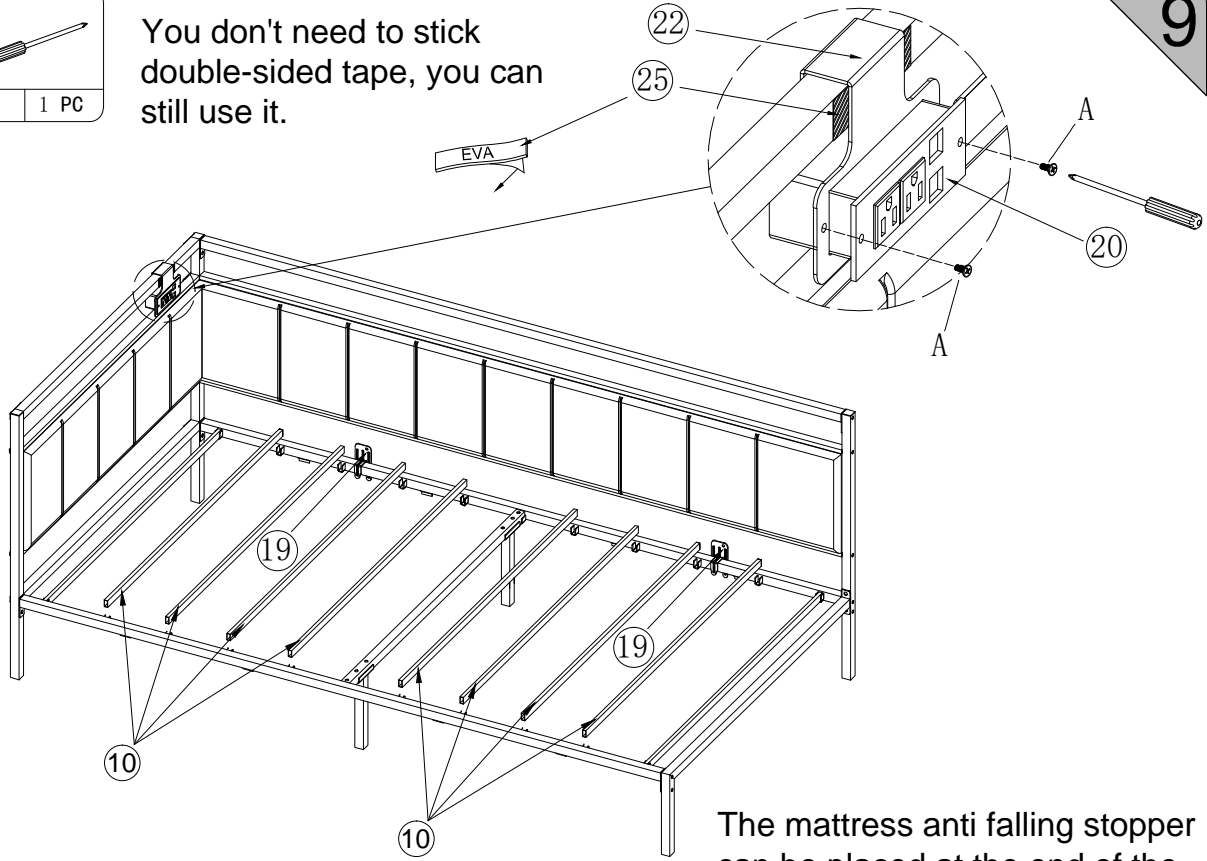




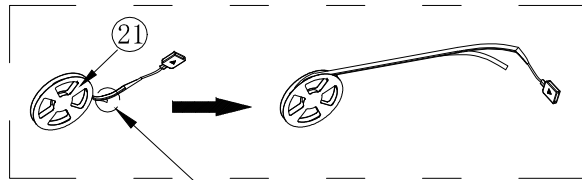
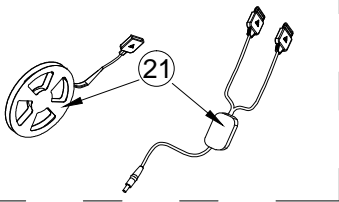


You don't need to stick double-sided tape, you can still use it.

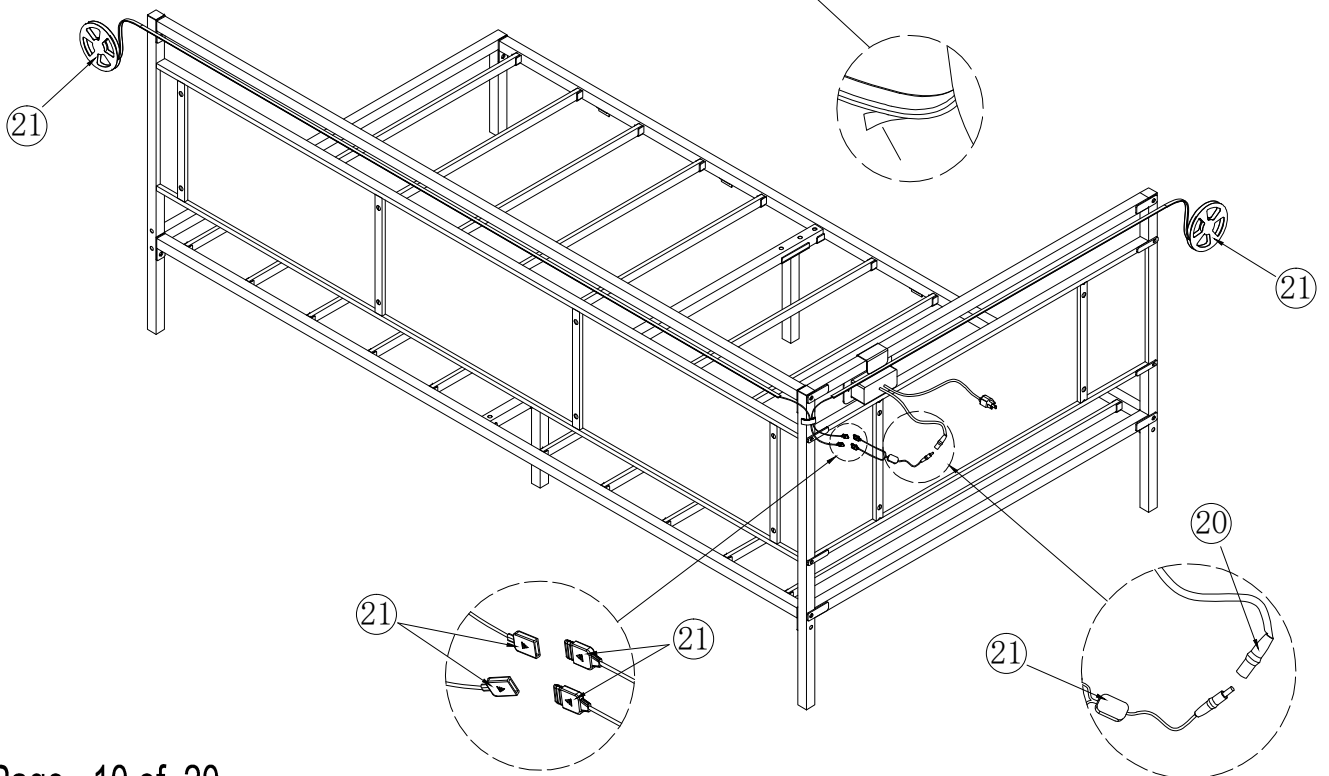
9

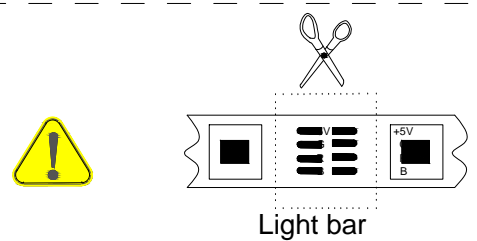
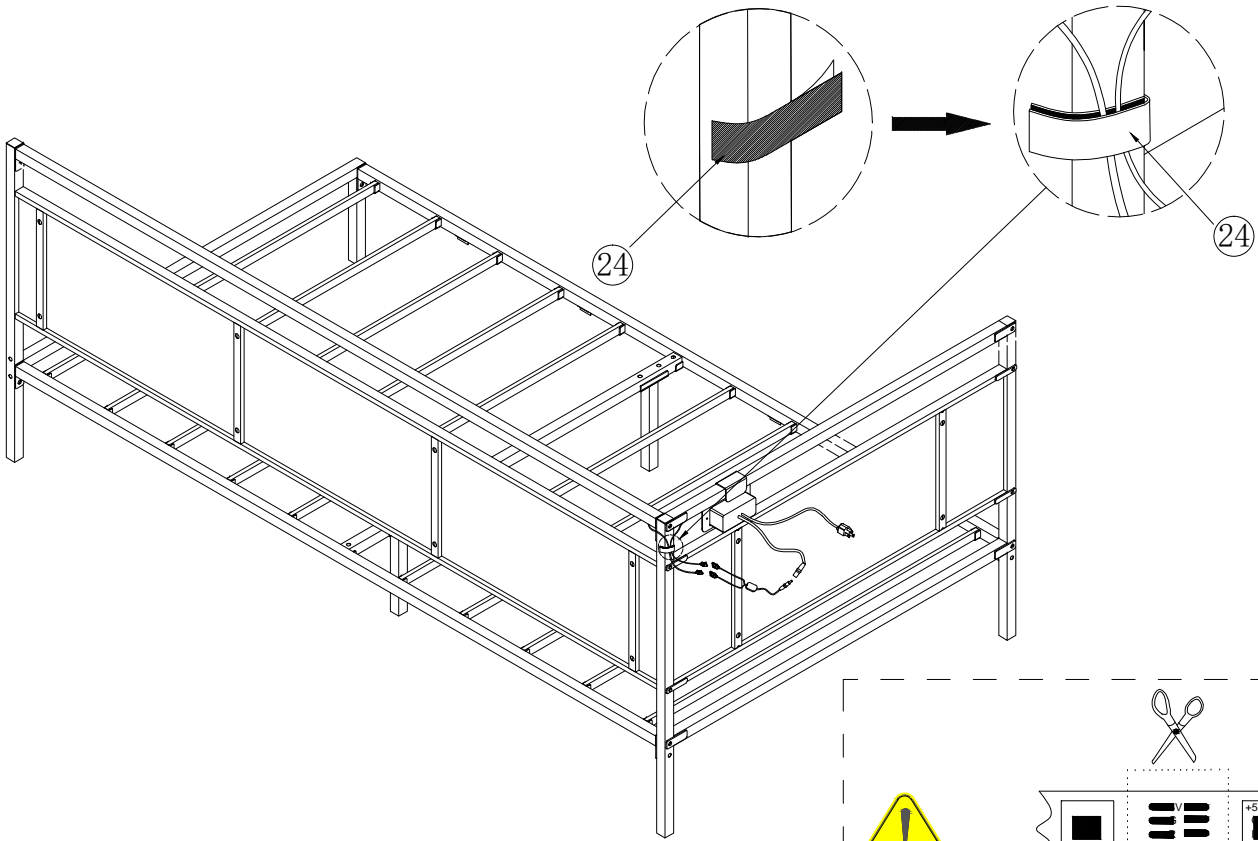


The mattress anti falling stopper can be placed at the end of the bed for use.

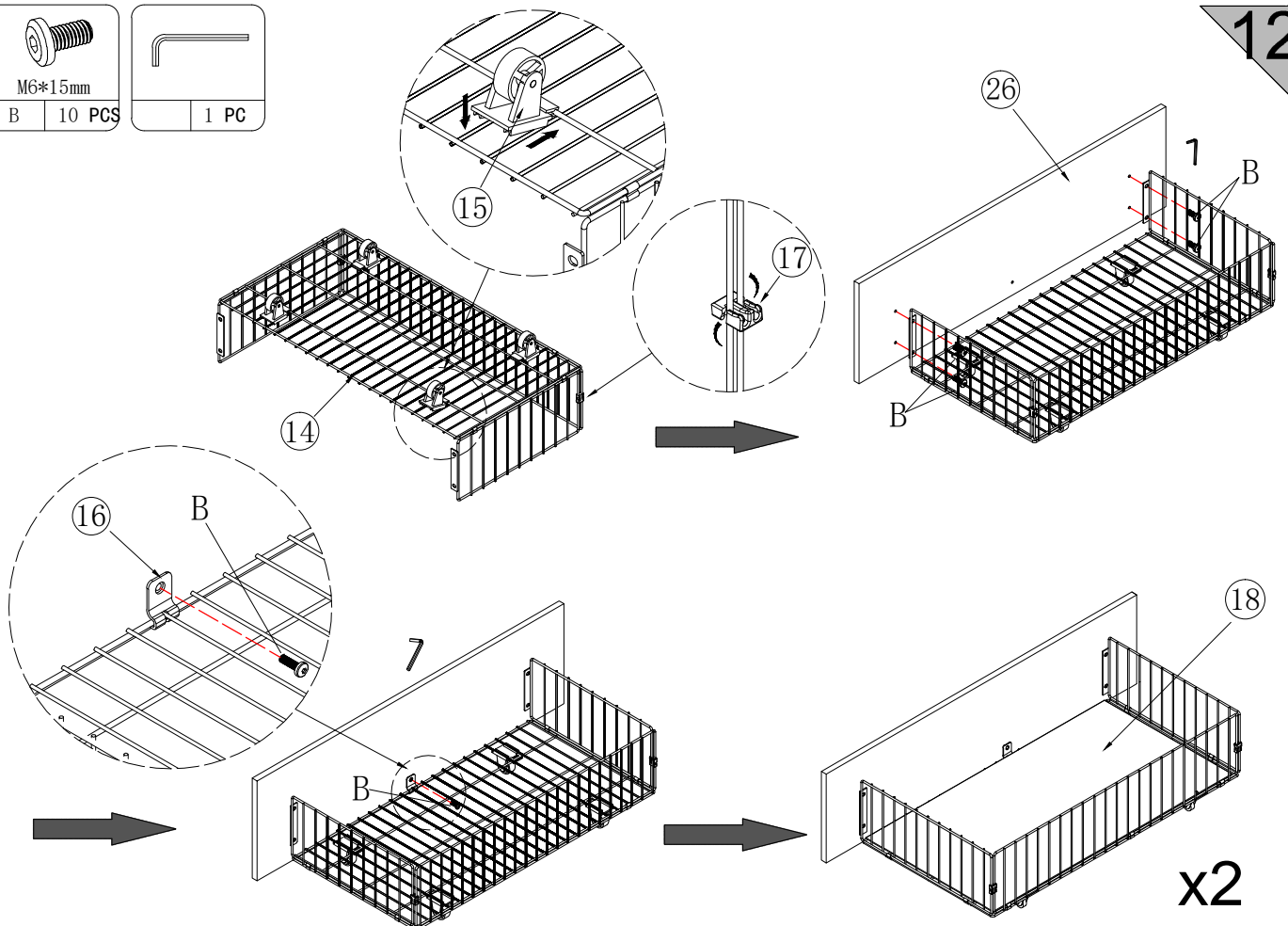
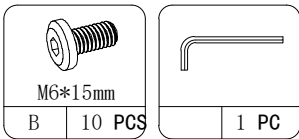


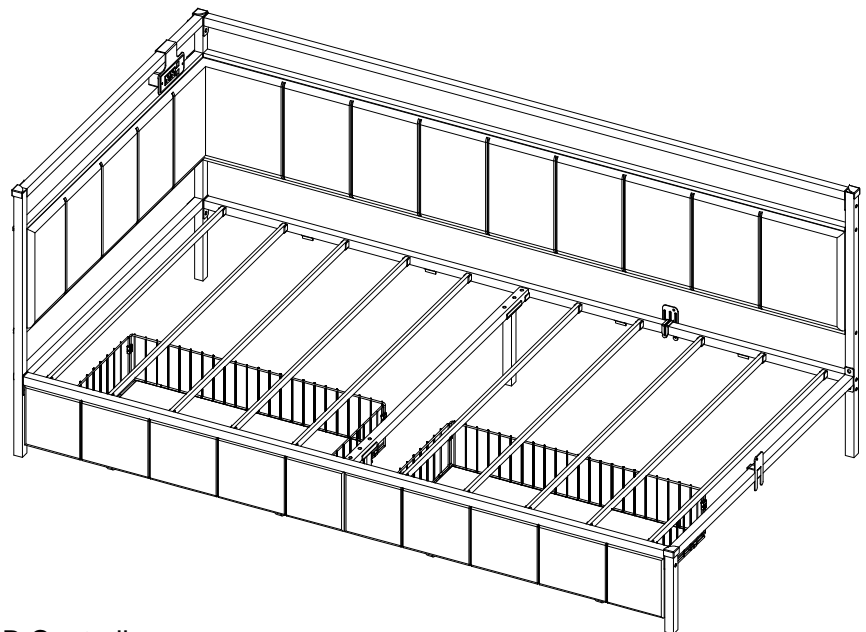
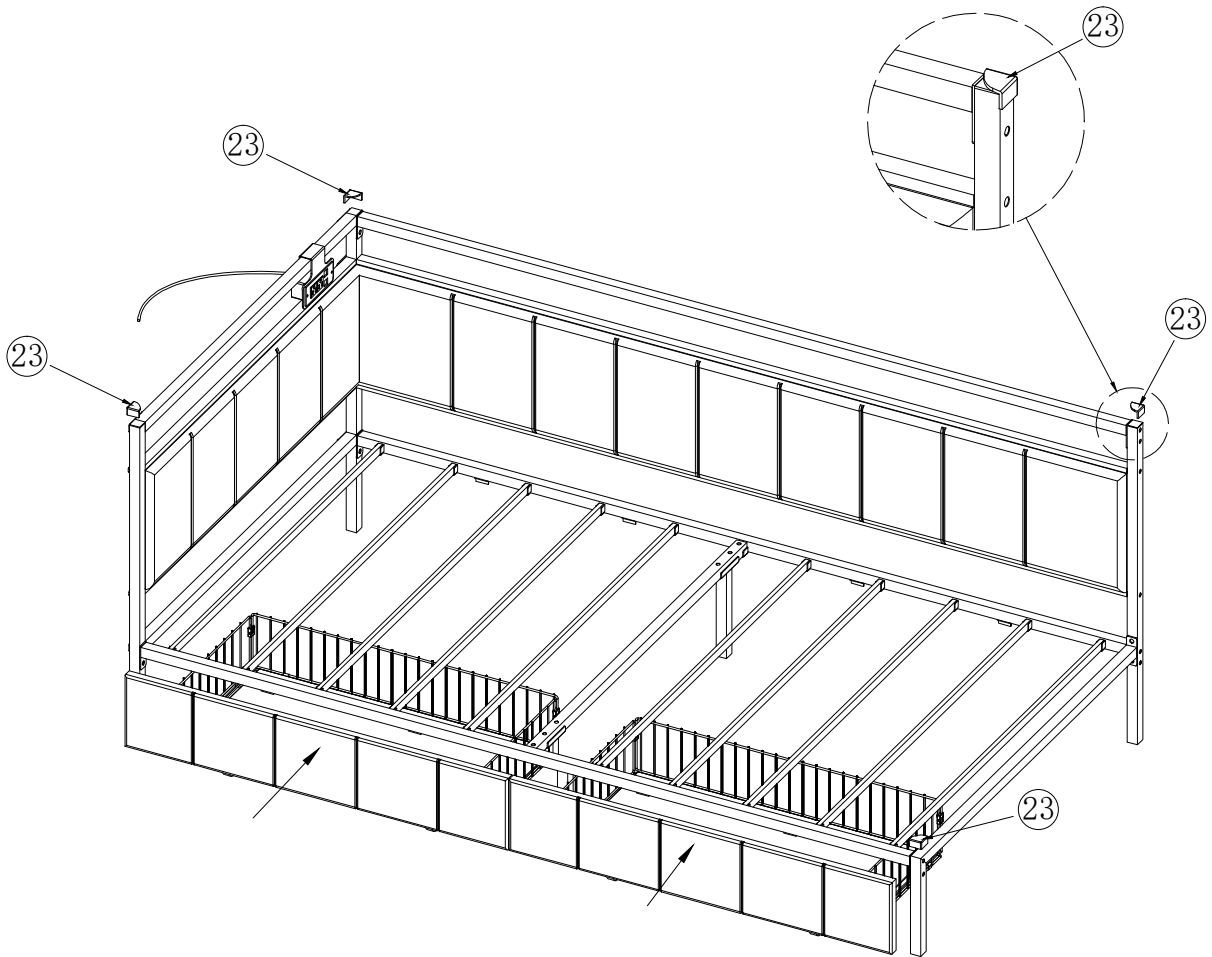
10





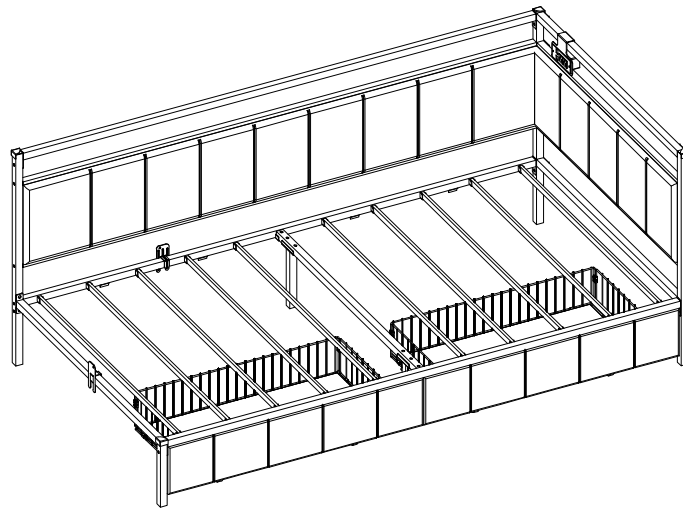
Light bar
According to the actual length, cut the excess light strip or keep it



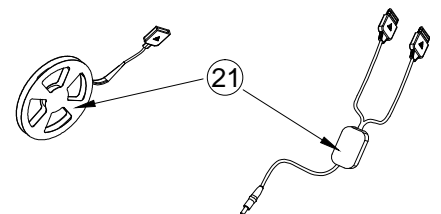
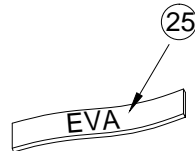
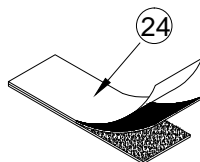
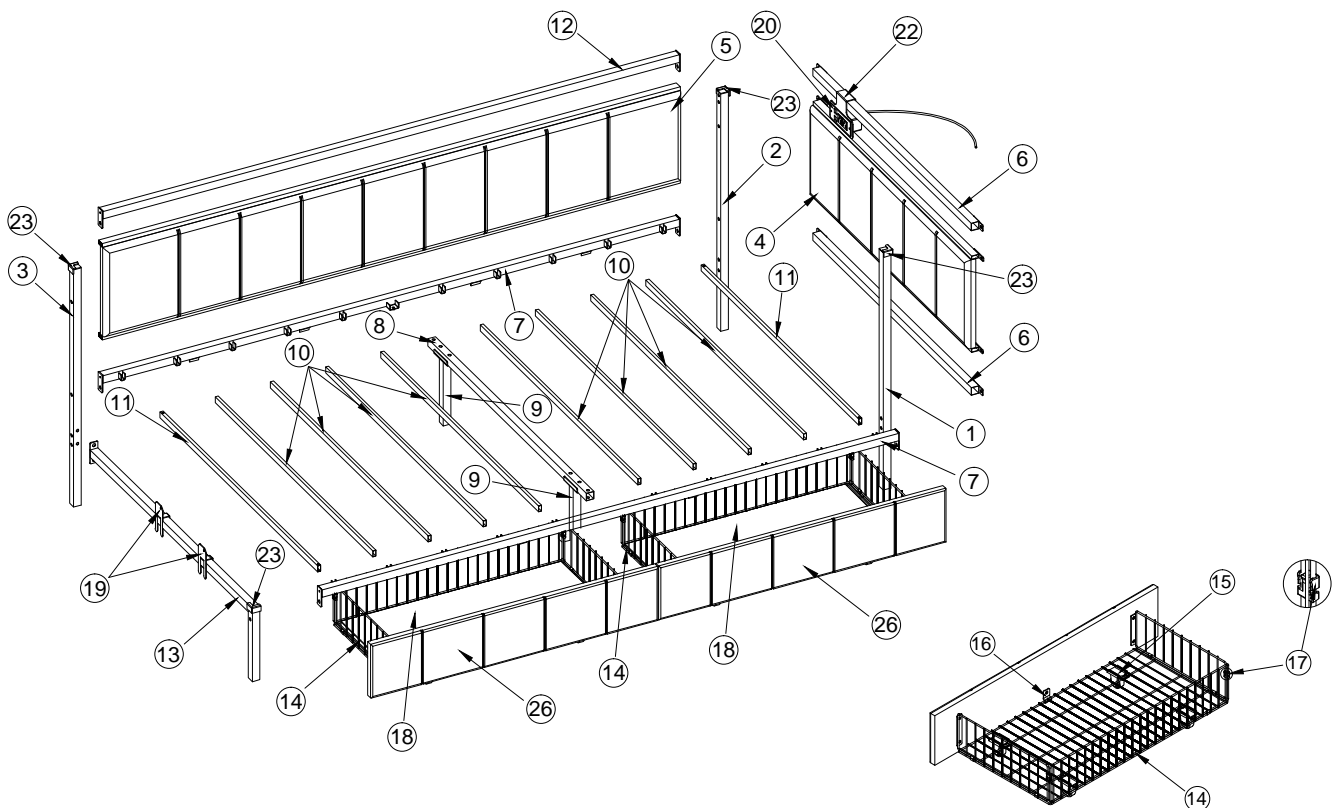


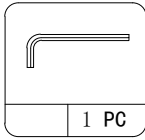
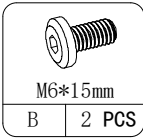
1. Connect LED Lamp and RF RGB Controller.
2. Plug in the Adaptor Power supply.
3. Scan the RF RGB Controller QR code on the controller and download the software LotusLantern.
4. Turn on the Bluetooth function of the mobile phone and search for Bluetooth pairing "Trinoes".
5. Open the "LotusLantern" APP and switch colors change.
 Click the music switch to realize the skip mode of different LED lights.
 Press the timing switch to realize the automatic light off function, etc.

Installation guide B--Page 13-20



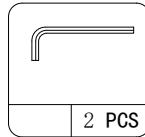
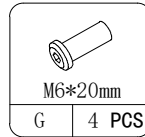
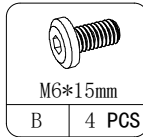
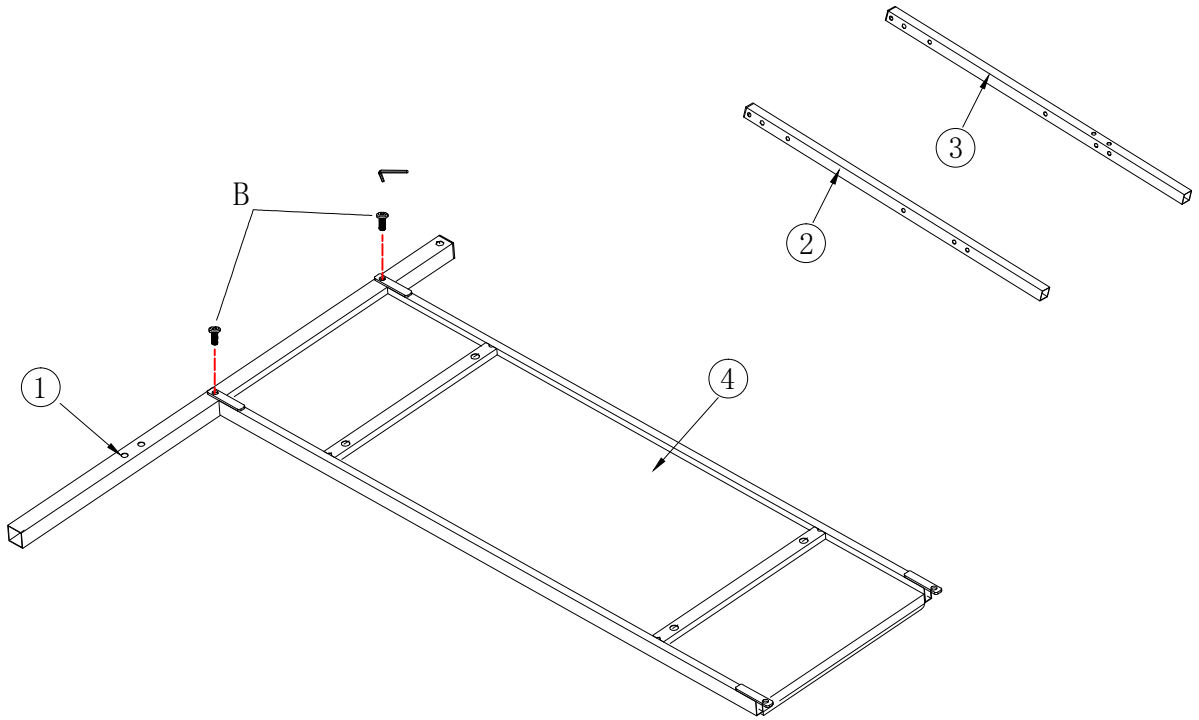
The head of the bed is on the right side facing the bed (as the figure shows) .





Pay attention to distinguish 1\2\3 parts to avoid installation errors.

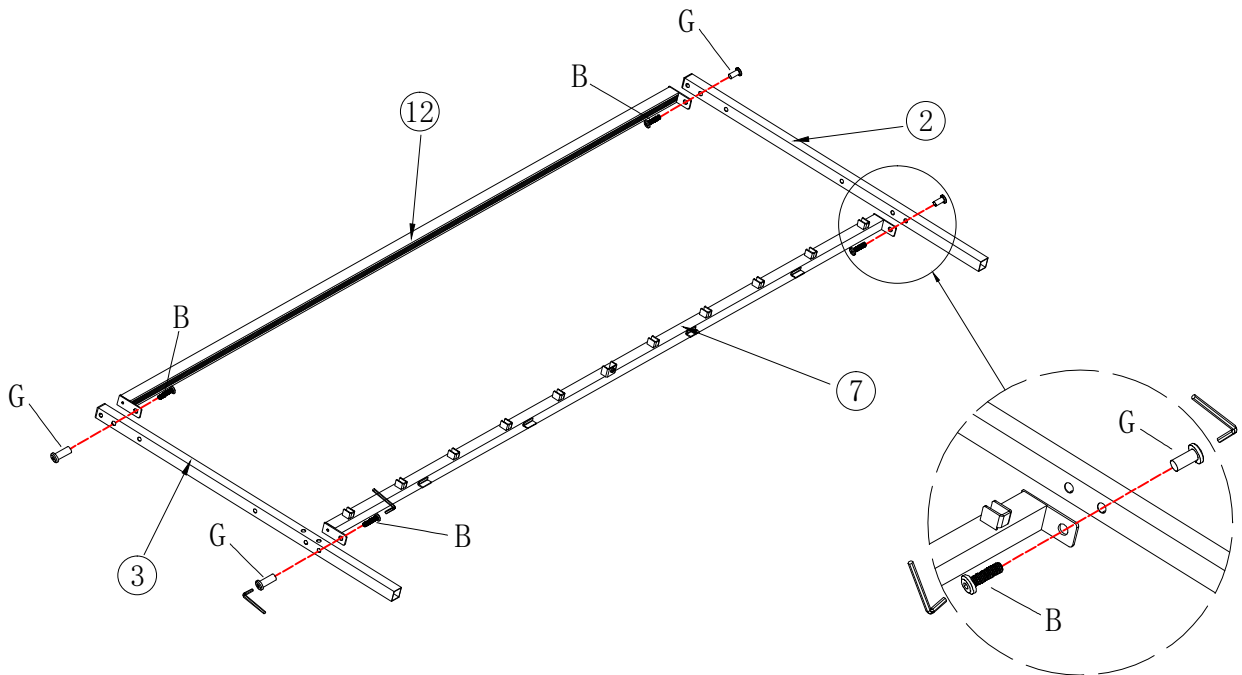
1

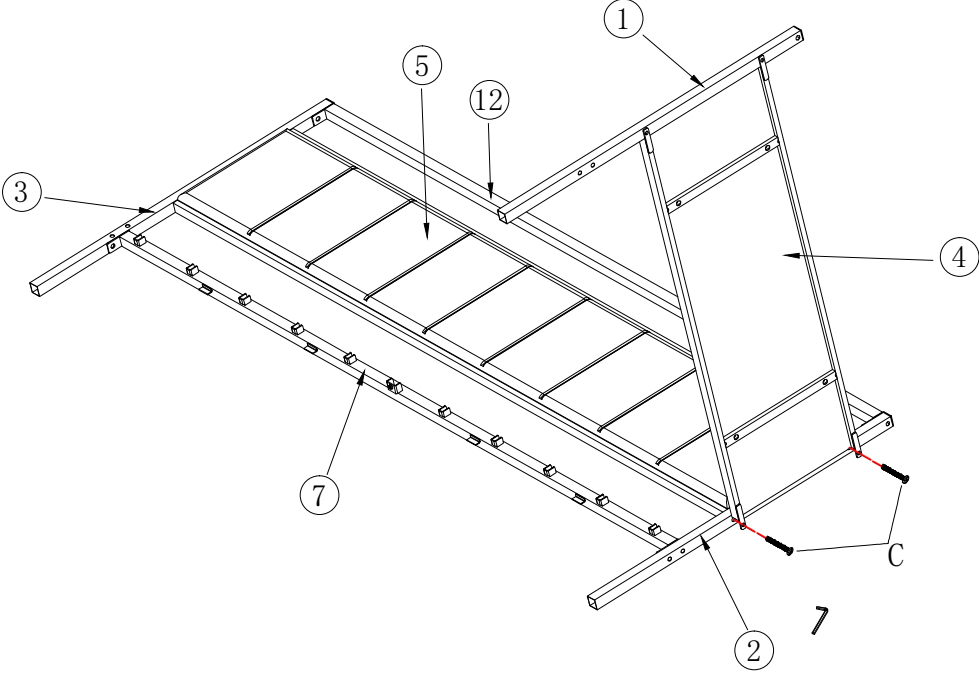
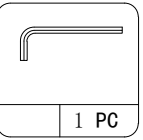
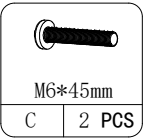
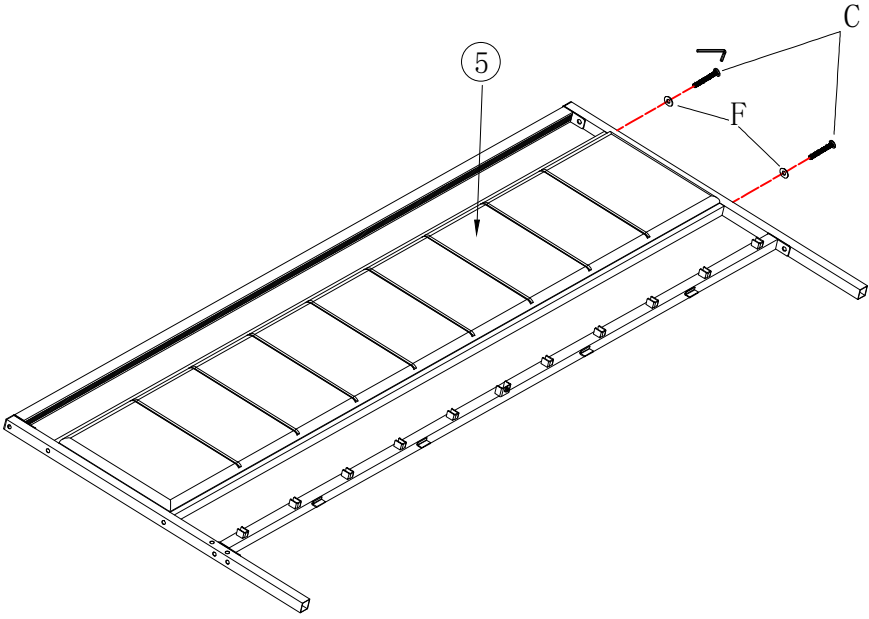
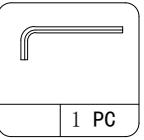
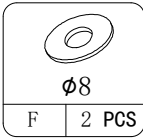
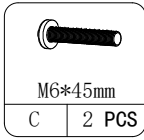







After screwing all screws into the holes, tighten them again.

Pay attention to distinguish 2\3 parts to avoid installation errors.

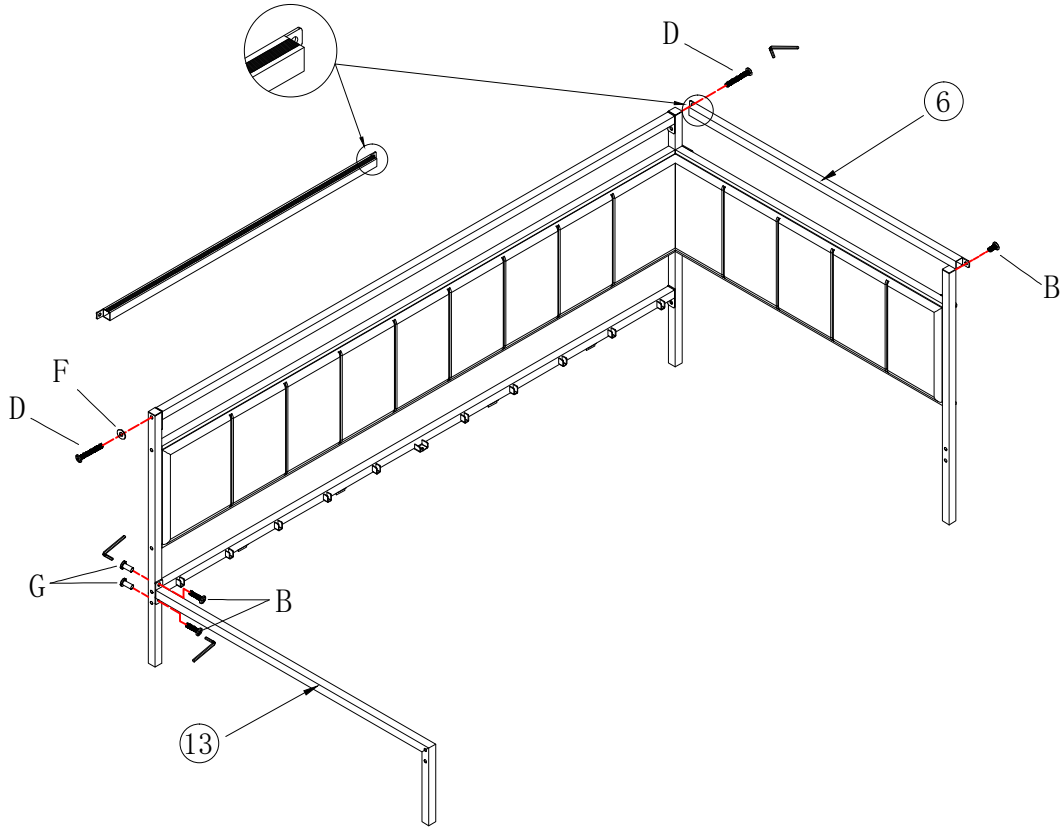
2

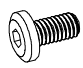






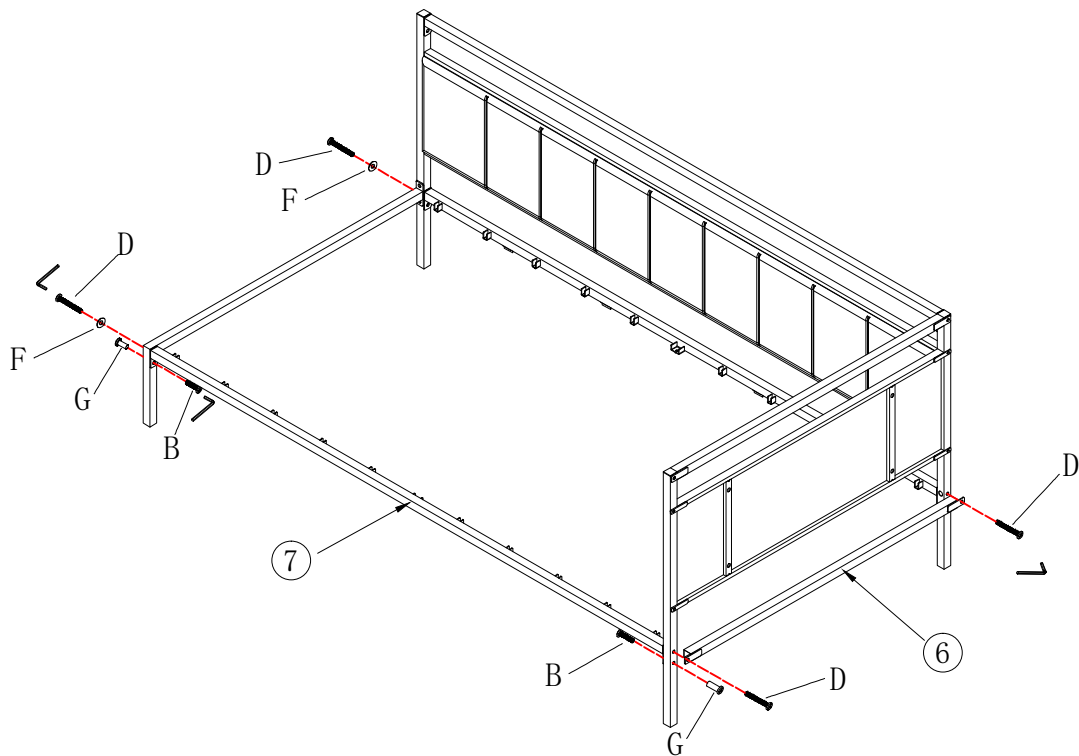


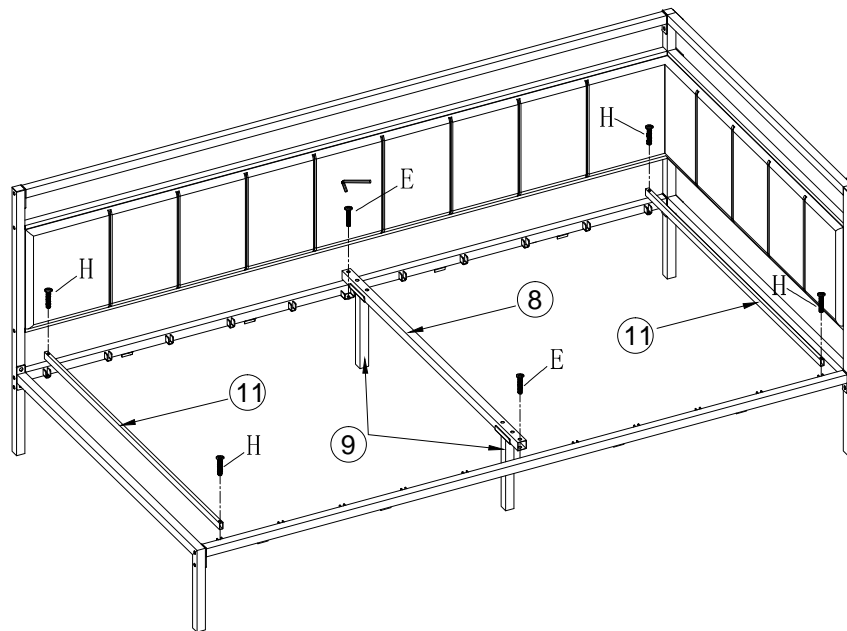
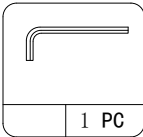
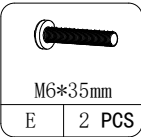
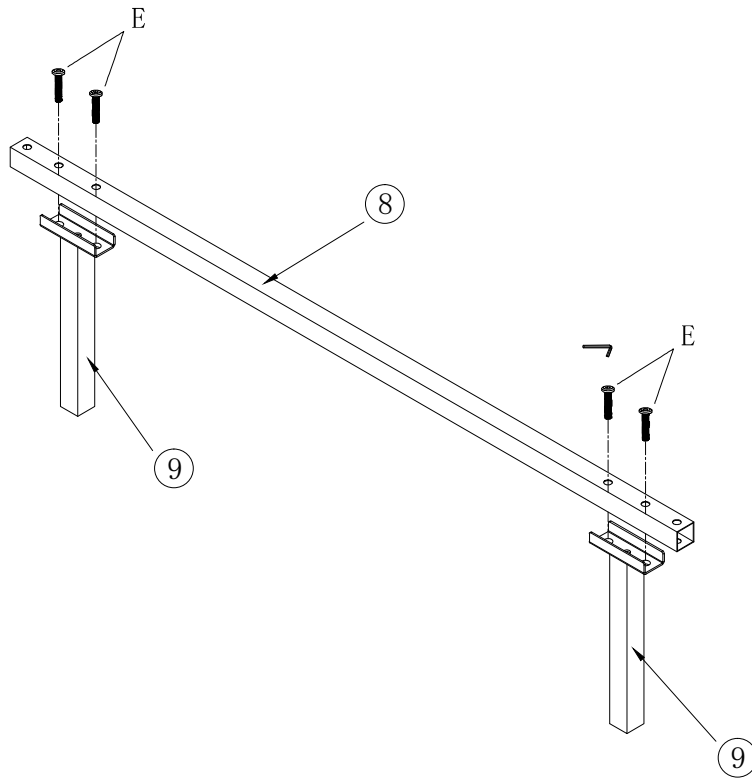
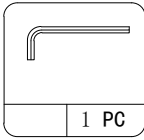
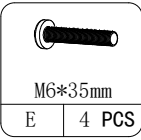
				
M6*15mm	M8*45mm	M6*20mm	ø8	
B 3 PCS	D 2 PCS	G 2 PCS	F 1 PC	2 PCS

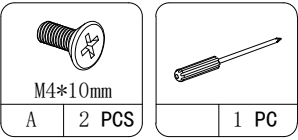
There is a taped EVA face down.



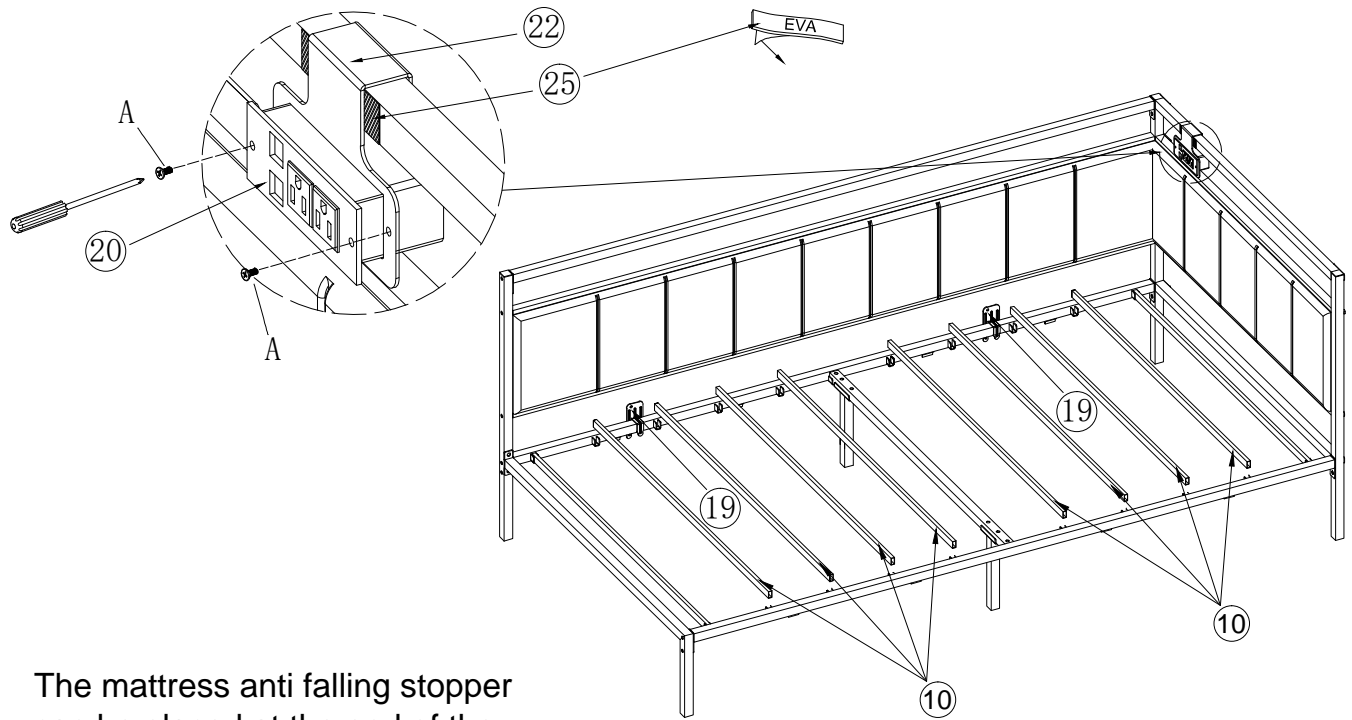
				
M6*15mm	M8*45mm	M6*20mm	ø8	
B 2 PCS	D 4 PCS	G 2 PCS	F 2 PCS	2 PCS



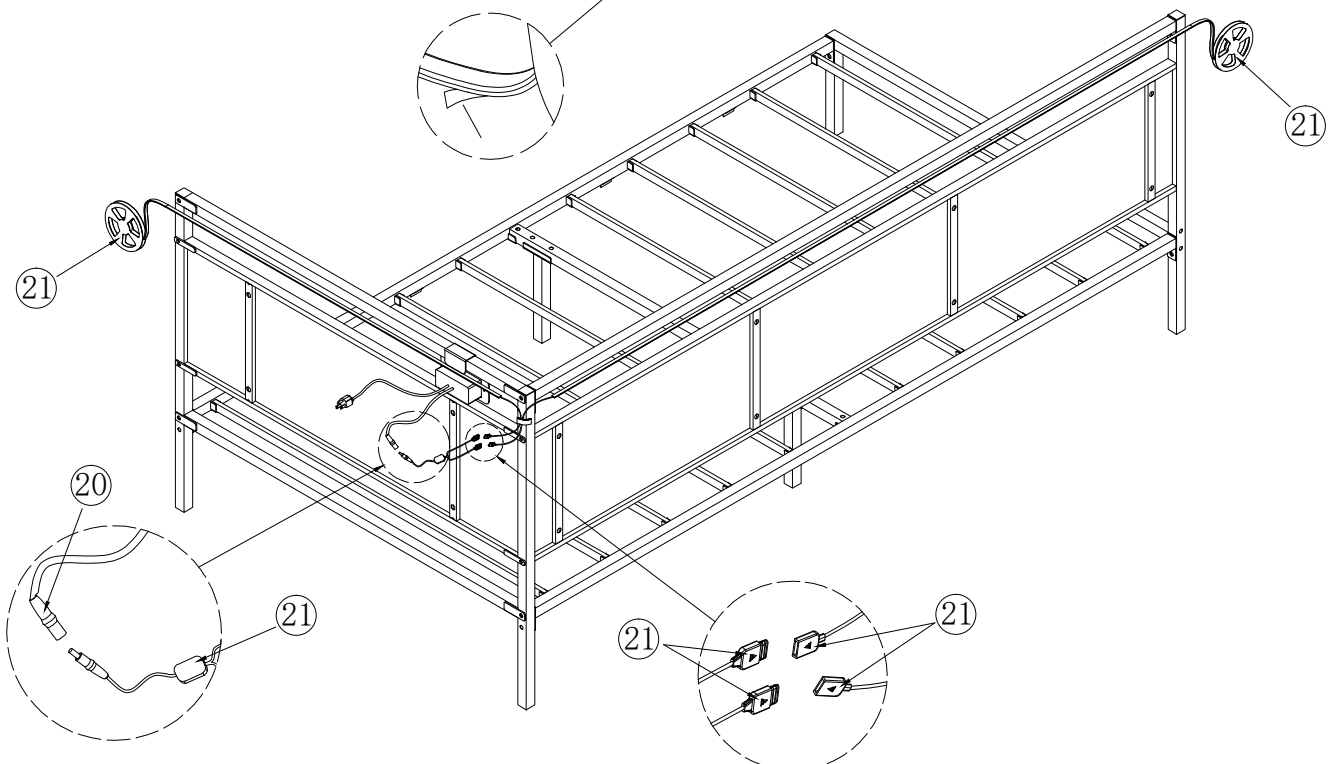
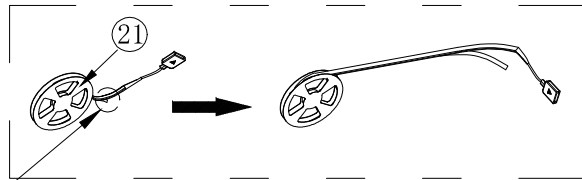
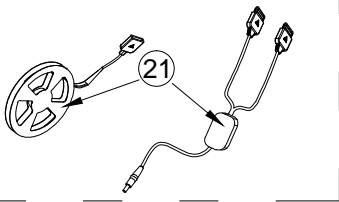


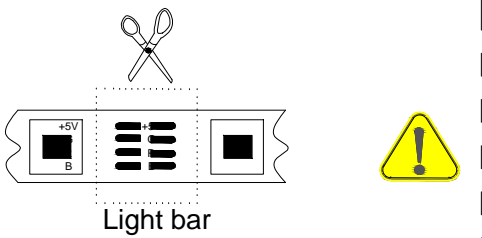
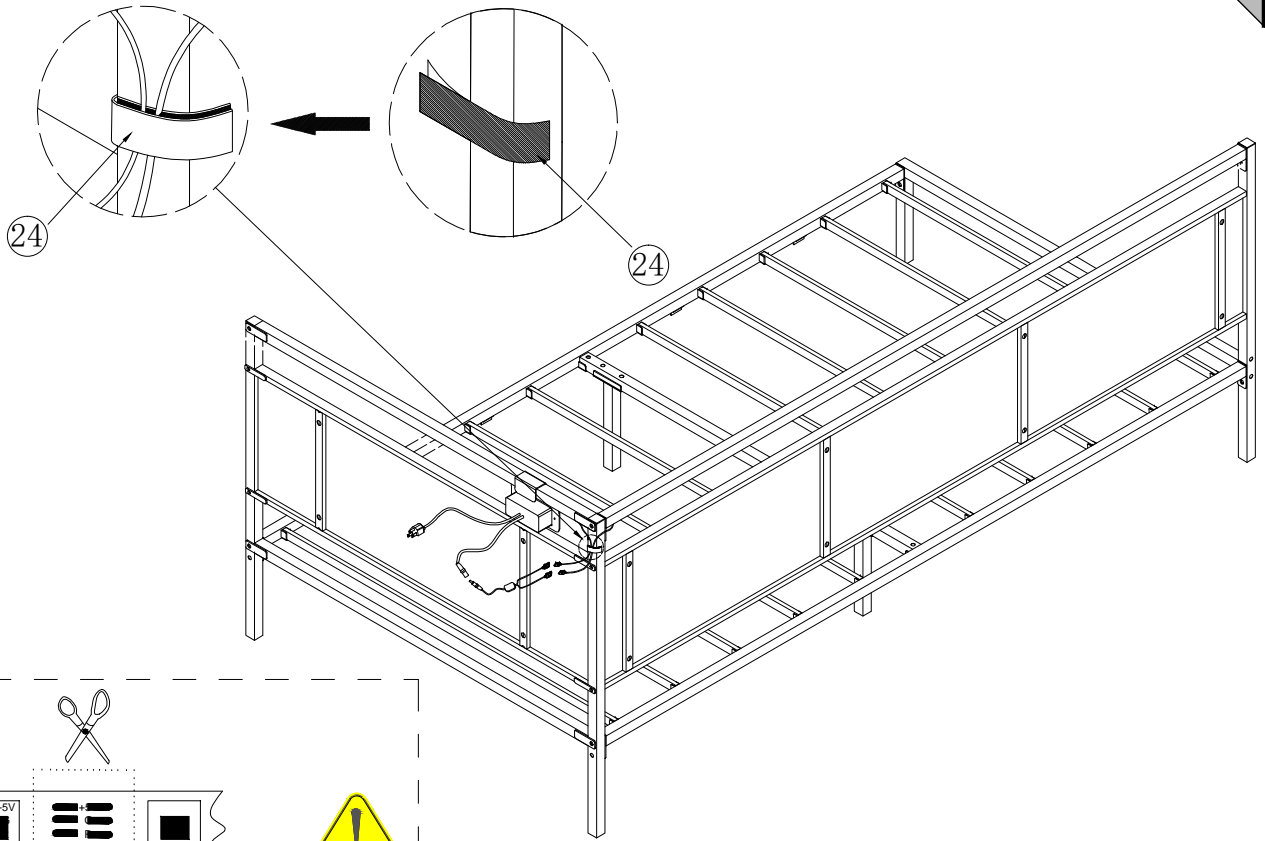


You don't need to stick double-sided tape, you can still use it.

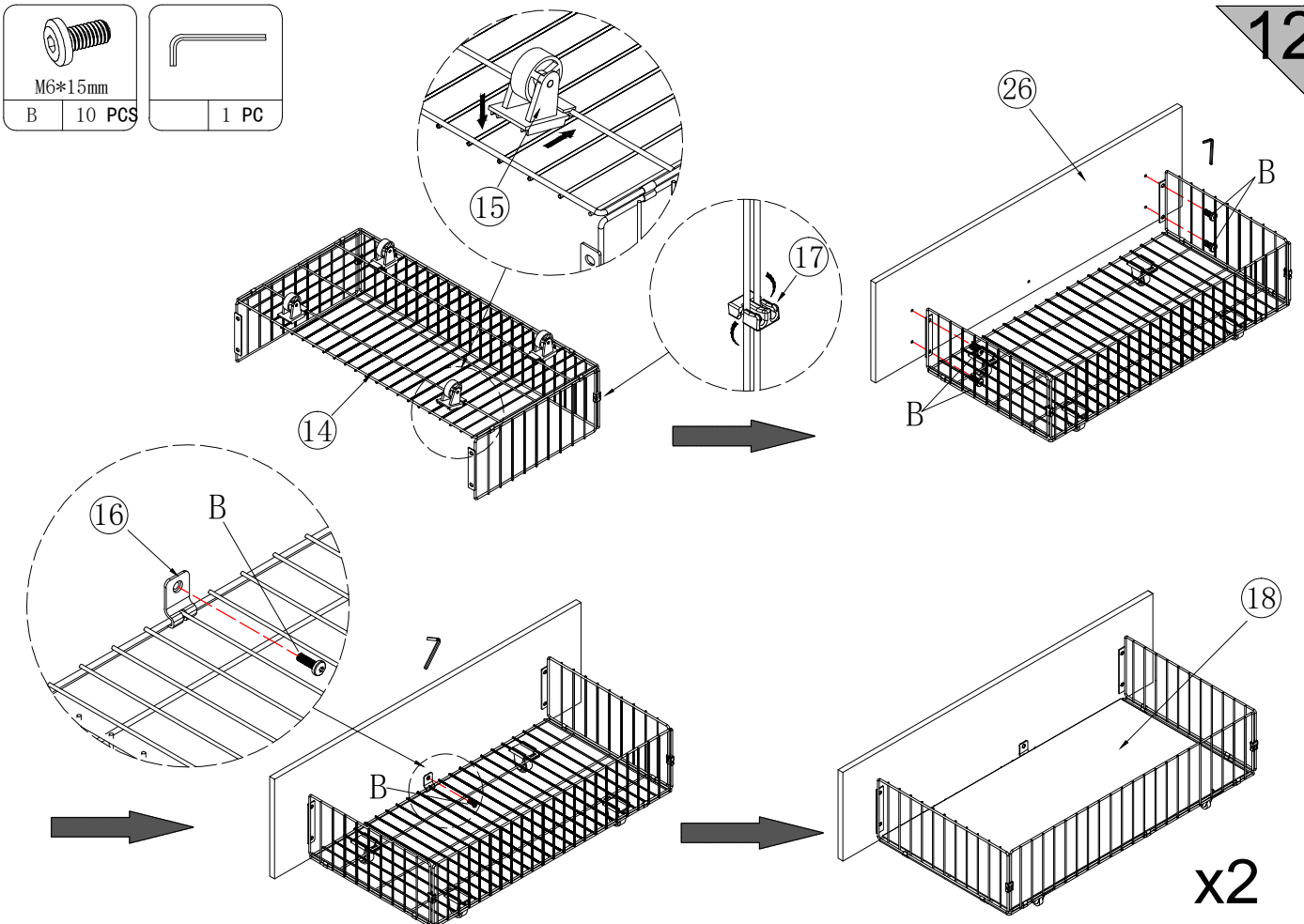


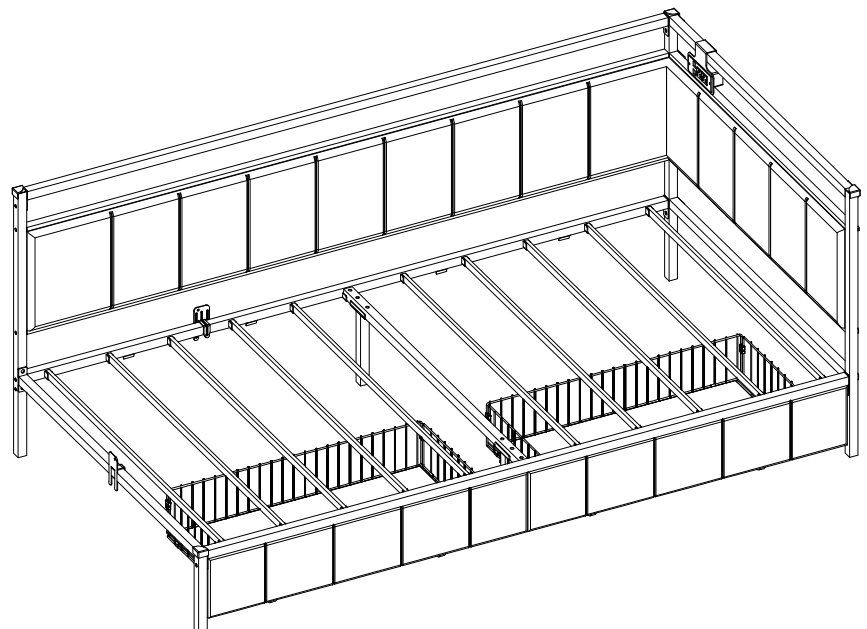
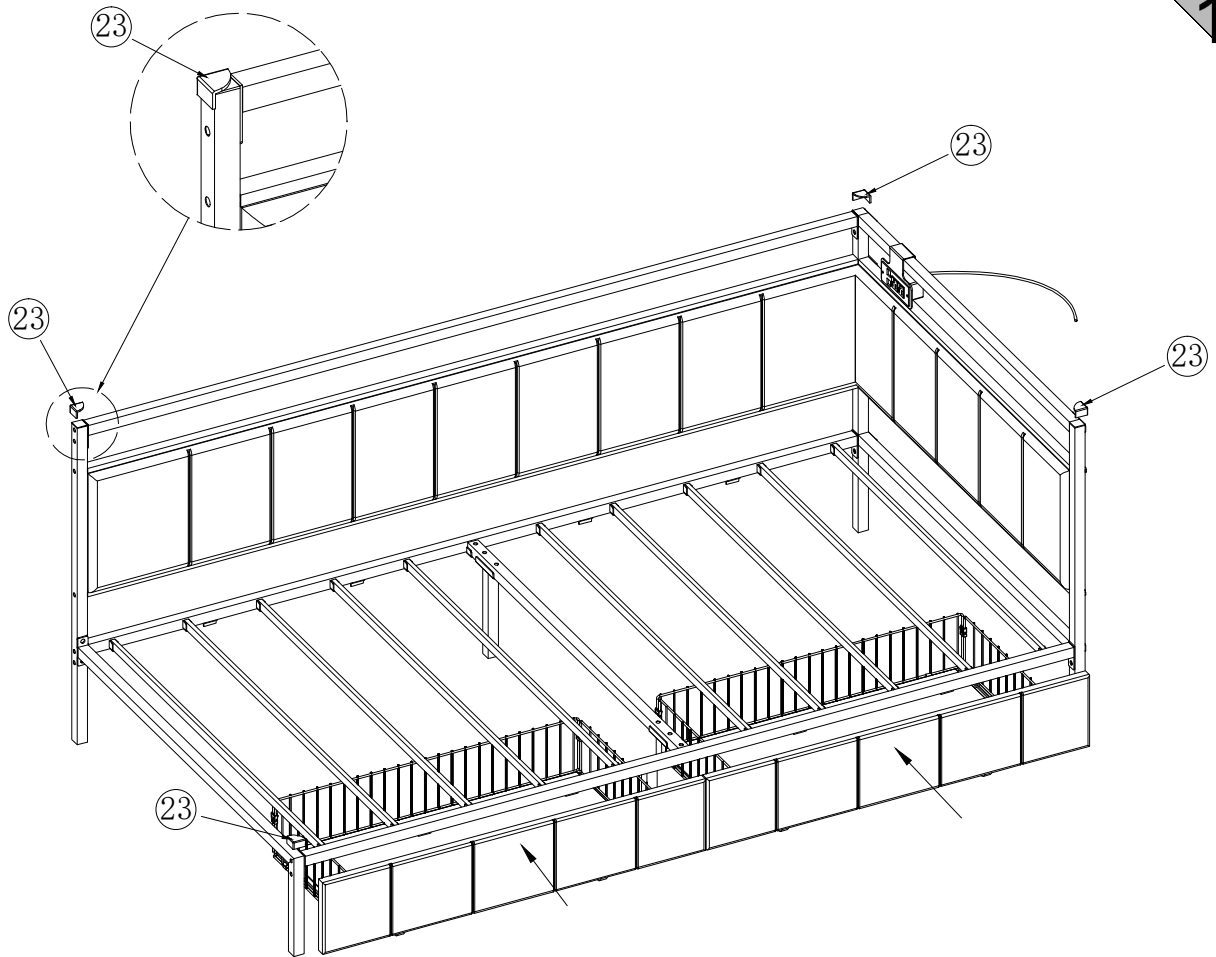
The mattress anti falling stopper can be placed at the end of the bed for use.





According to the actual length, cut the excess light strip or keep it





1. Connect LED Lamp and RF RGB Controller.
2. Plug in the Adaptor Power supply.
3. Scan the RF RGB Controller QR code on the controller and download the software LotusLantern.
4. Turn on the Bluetooth function of the mobile phone and search for Bluetooth pairing "Trinoes".
5. Open the "LotusLantern" APP and switch colors change.
 Click the music switch to realize the skip mode of different LED lights.
 Press the timing switch to realize the automatic light off function, etc.