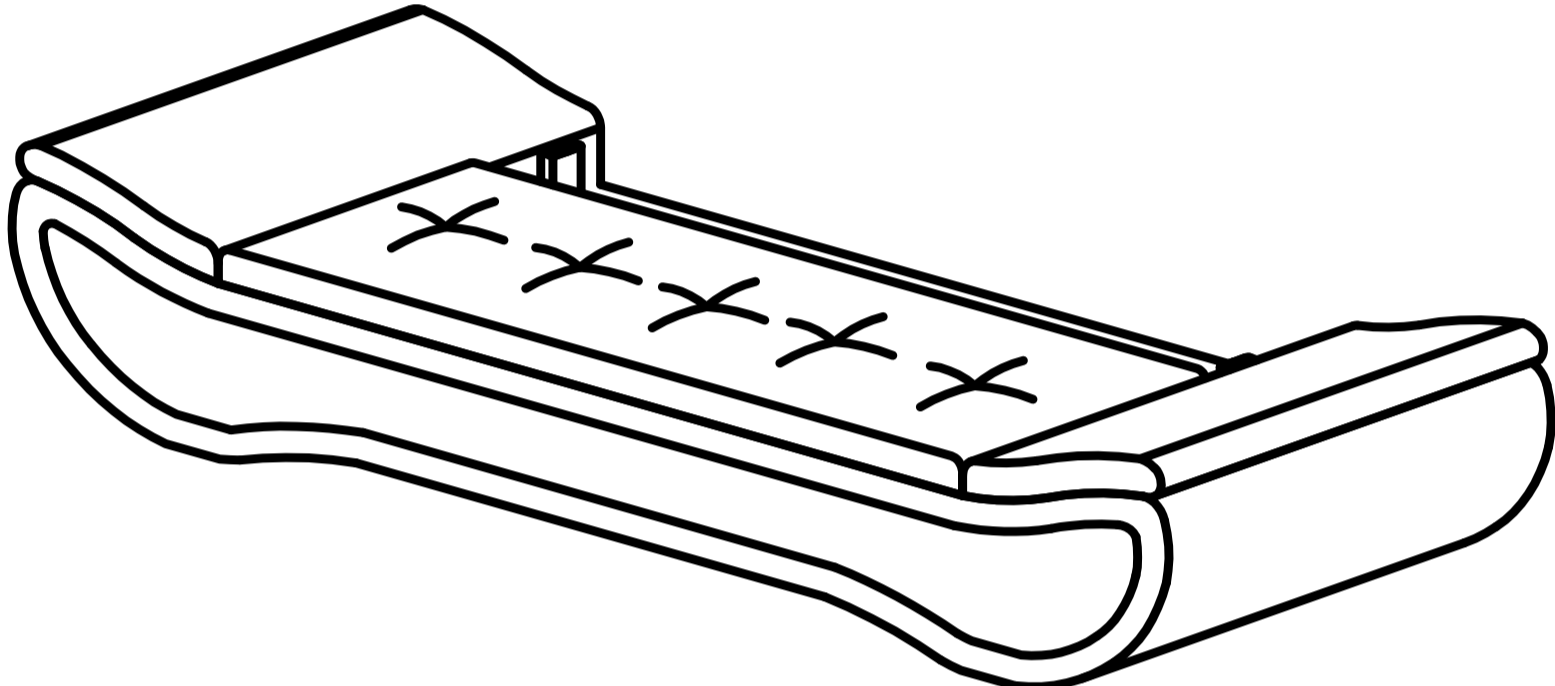
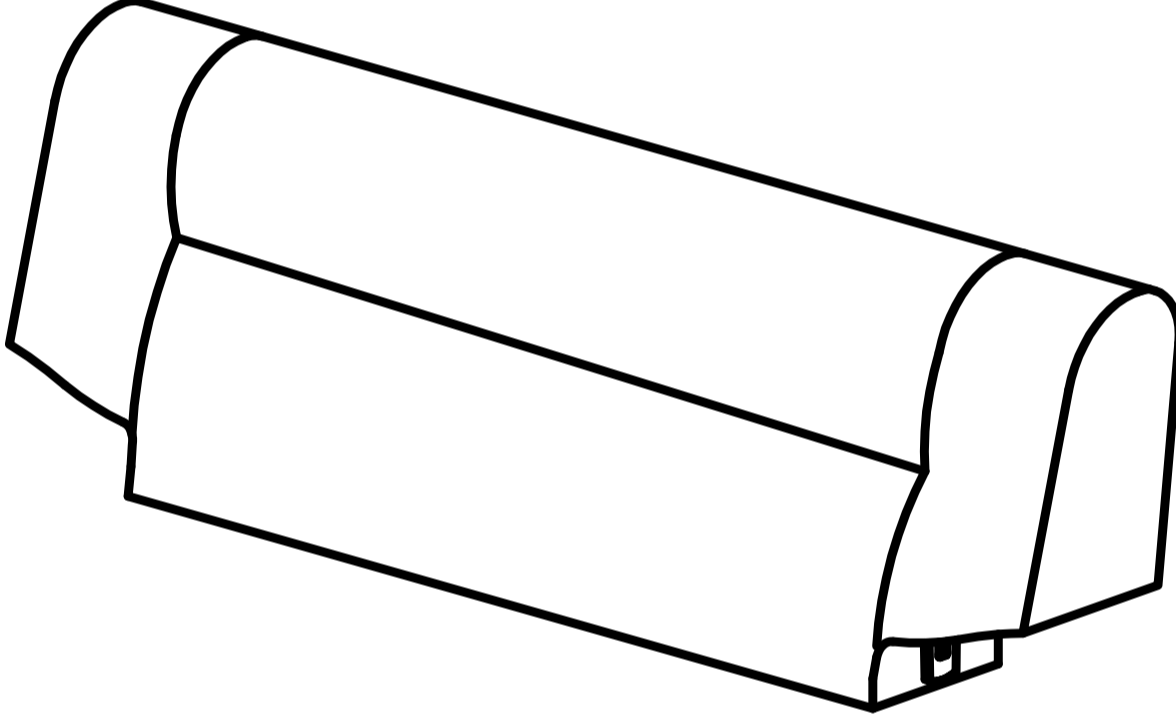
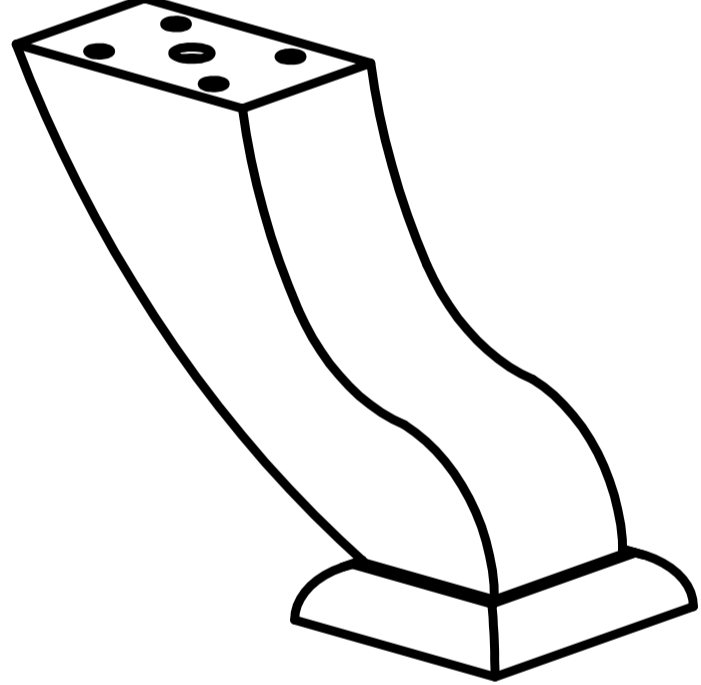
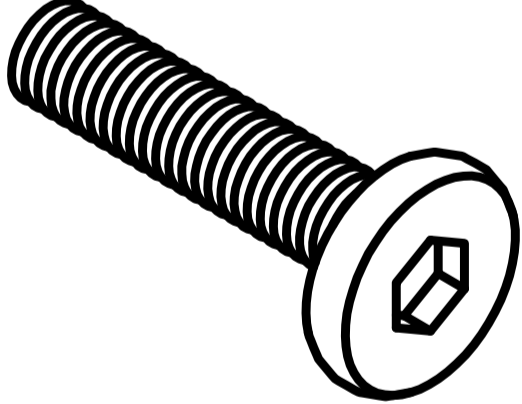
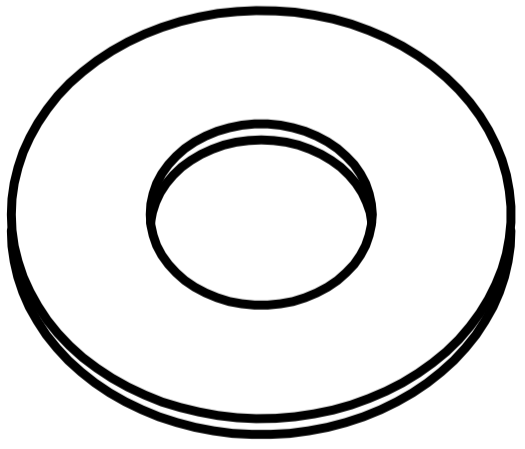

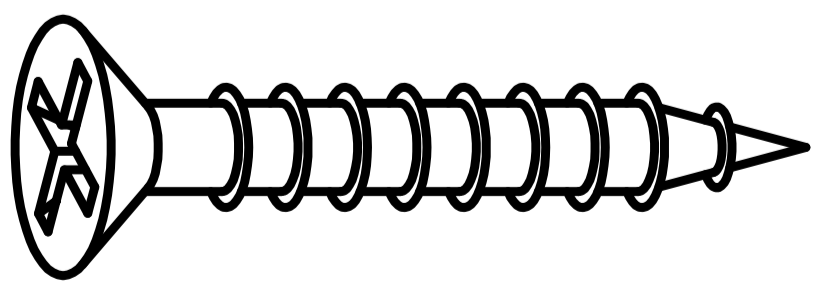
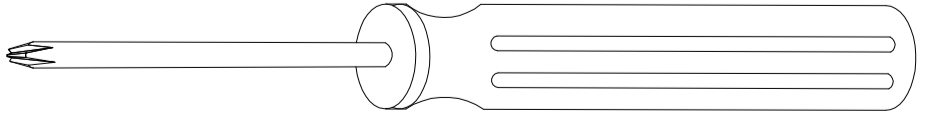


Assembly Instruction

SOFA

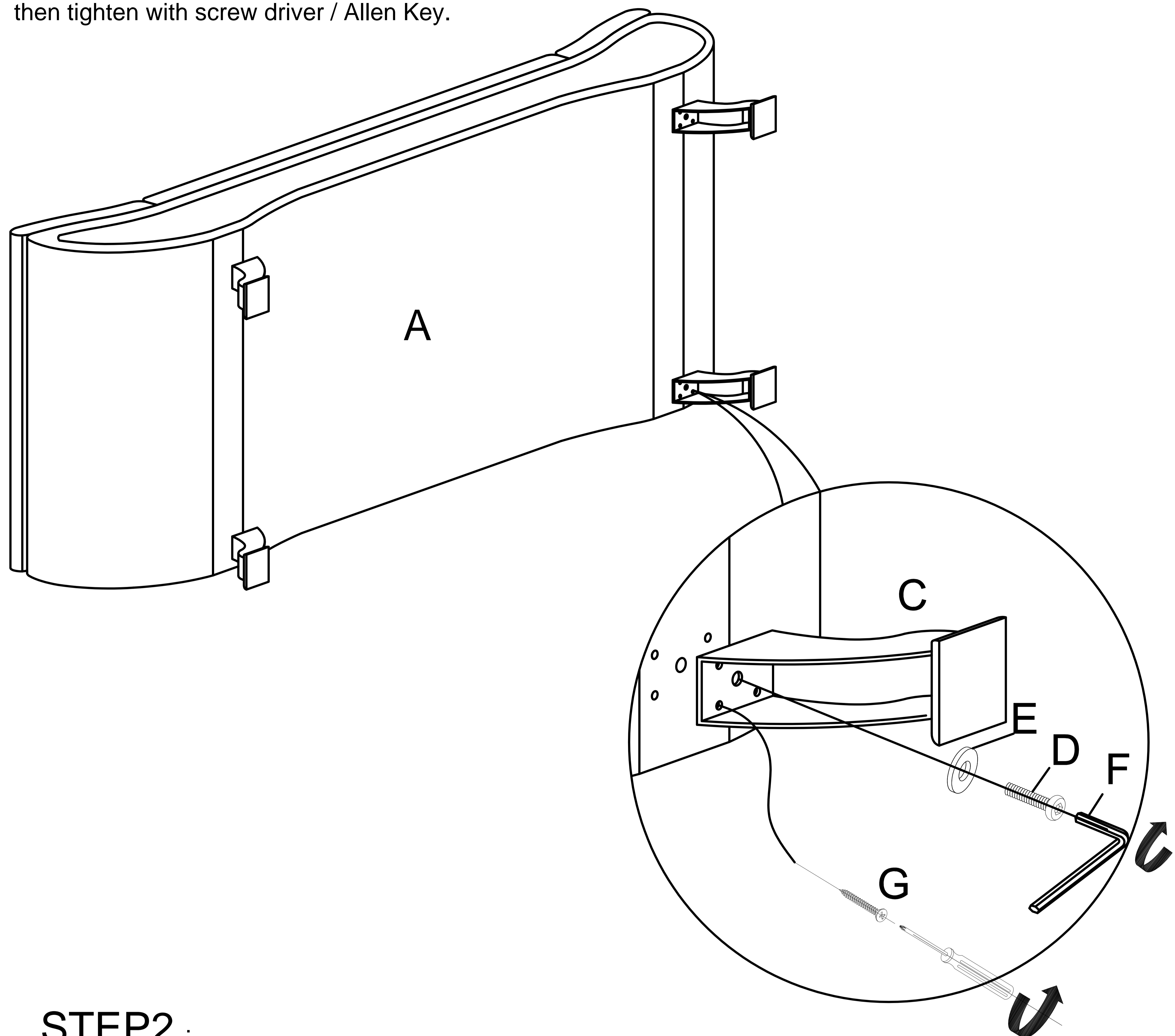
NOTE: Do not use power tools for assembly. Power tools increase the risk of over tightening which lead to shitting or cracking the wood.

COMPONENT LIST

NO.	DRAWING	QTY	DESCRIPTION
A		1	SOFA
B		1	BACK REST
C		4	LEG
D		4	BOLT($\frac{5}{16}$ "*40MM)
E		4	FLAT WASHER (8*19MM)
F		1	ALLEN KEY($\frac{5}{16}$ ")
G		16	SCREW(4*30MM)
H		1	SCREWDRIVER (NOT PROVIDED)

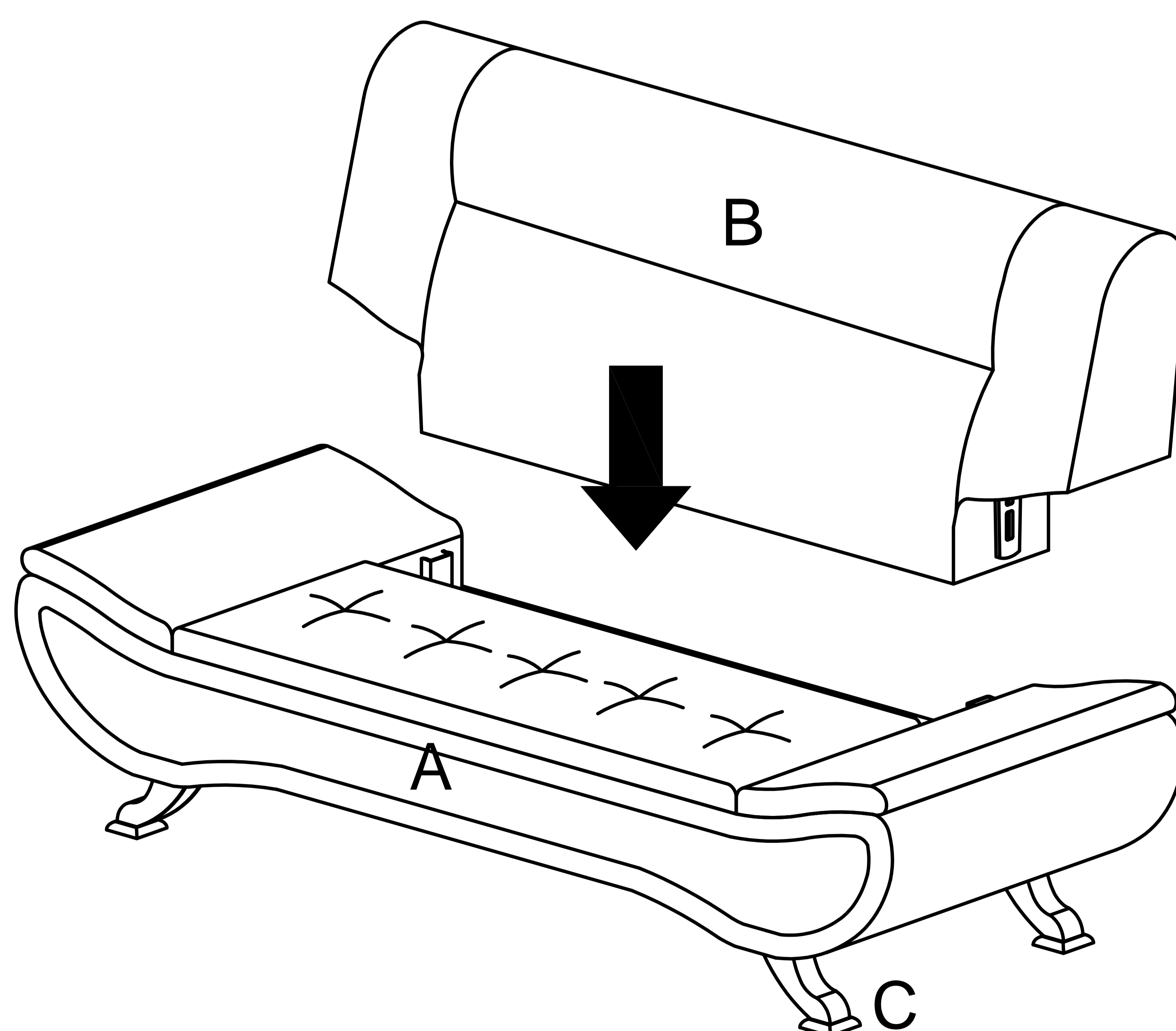
STEP1 :

Align the legs to the pre-drilled holes at the bottom of the units, insert bolts and washers then tighten with screw driver / Allen Key.



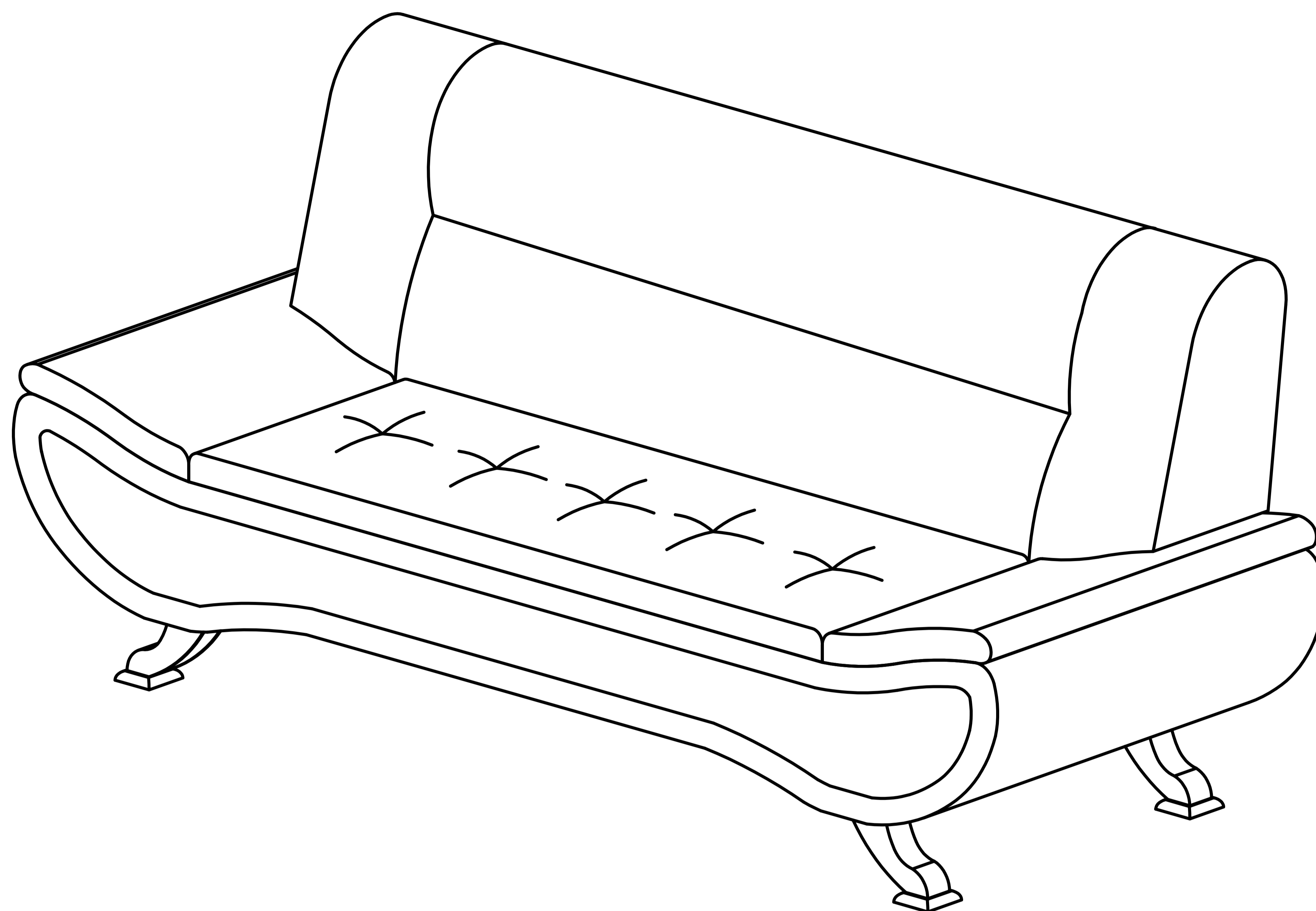
STEP2 :

Align and insert the back rest , push to the end to secure it.



STEP3 :

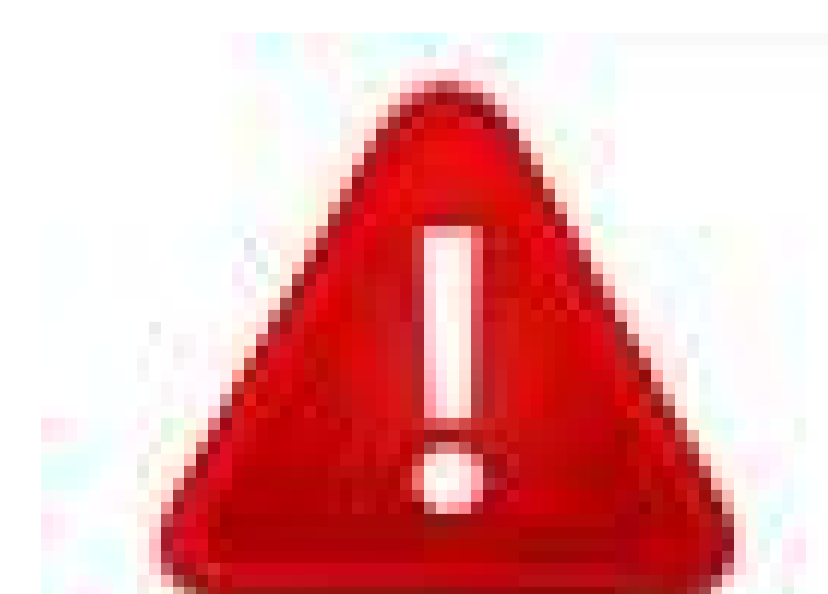
Assembly completed.



Care instruction for PU furniture.

In order to maintain the original appearance of your PU furniture, please follow below simple care procedures:

- Avoid exposing furniture directly to sunlight or heating and air conditioning outlets. Sunlight and/or exposure to heating and air conditioning outlets will fade/damage fabrics. Do not place your upholstered furniture too close to windows, radiators, or vents, and be sure to use windows, radiators, or vents.
- Vacuum or wipe with a cloth regularly to remove dust.
- Clean PU furniture with professional cleanser.



For items use on wooden floor, hard surfaces or carpets, it is recommended to Install protective pads under all legs and supports to avoid/prevent fromdamages/scratches and discoloration.