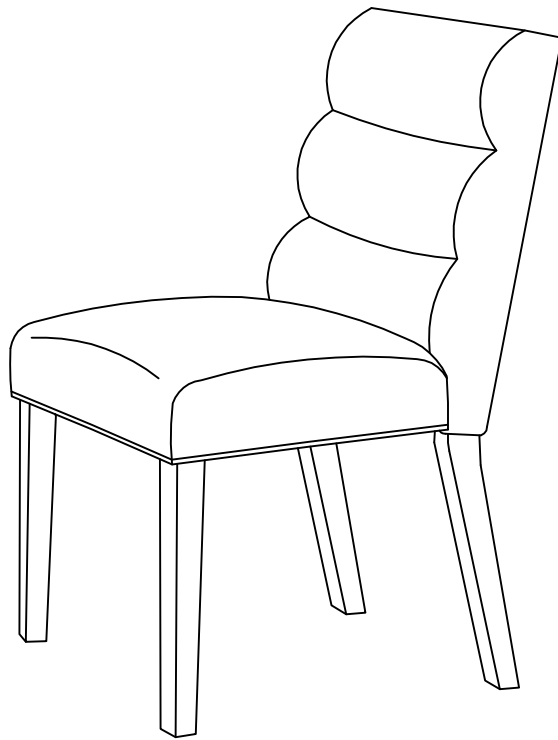


ASSEMBLY INSTRUCTIONS



Fine Furniture for every stage of life

Side Chair

REVISION 0 : 10/24/2023

PAGE 1 OF 4

ASSEMBLY INSTRUCTIONS

ASSEMBLY TIPS:

1. Remove hardware from box and sort by size.
2. Please check to see that all hardware and parts are present prior to start of assembly.
3. Please follow attached instructions in the same sequence as numbered to assure fast & easy assembly.

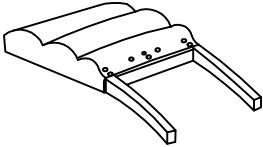

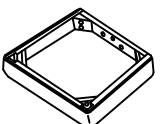


WARNING!







1. Don't attempt to repair or modify parts that are broken or defective. Please contact the store immediately.
2. This product is for home use only and not intended for commercial establishments.

ASSEMBLY TIME 30 MINUTES

PARTS IDENTIFICATION

A	BACK		1PC		C	LEG		2PCS
B	SEAT		1PC					

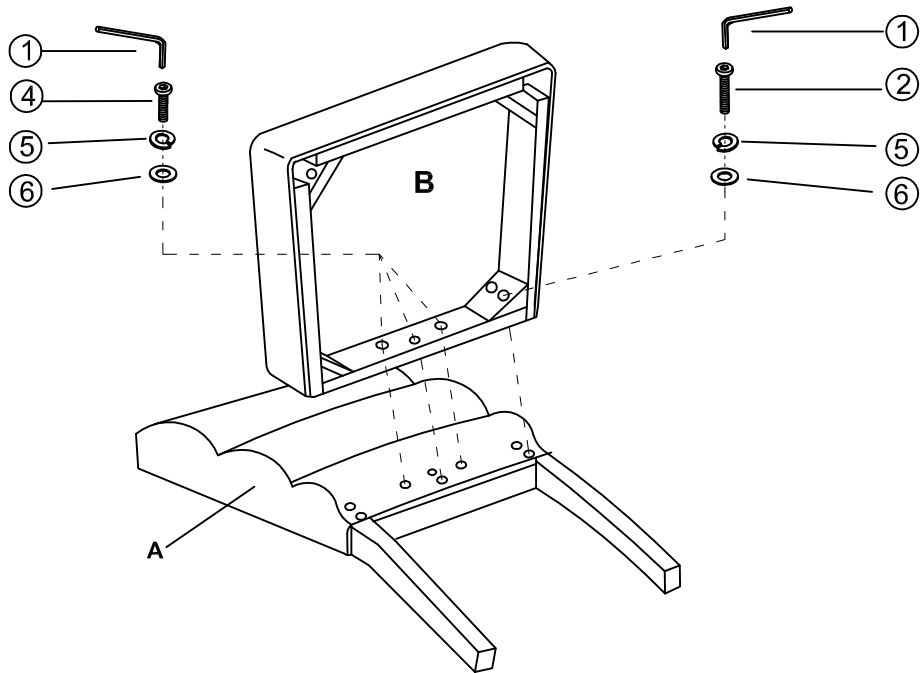
HARDWARE IDENTIFICATION

Z								
1	ALLEN WRENCH (5MM - BLK)		1PC		4	ALLEN BOLT (Ø5/16 x 2" - BLK)		3PCS
2	ALLEN BOLT (Ø5/16 x 3-1/2" - BLK)		4PCS		5	LOCK WASHER (Ø5/16" -BLK)		11PCS
3	ALLEN BOLT (Ø5/16 x 2-1/4" - BLK)		4PCS		6	FLAT WASHER (Ø5/16" x 19MM- BLK)		11PCS

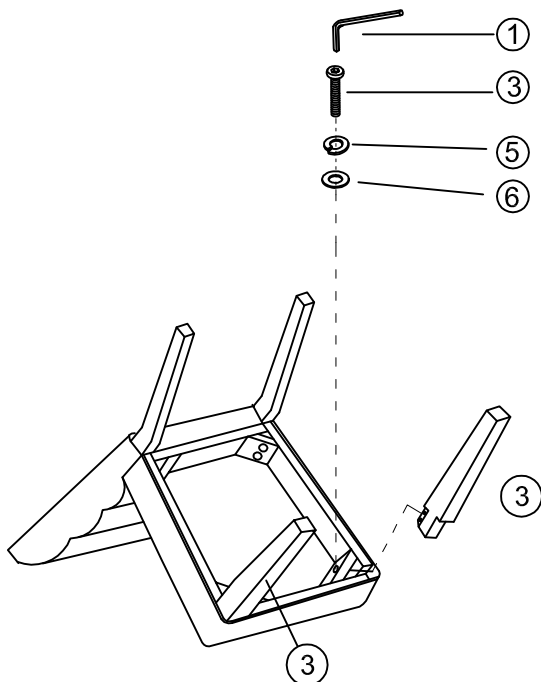
NOTE:
Quantities shown are for one chair.

ASSEMBLY INSTRUCTIONS

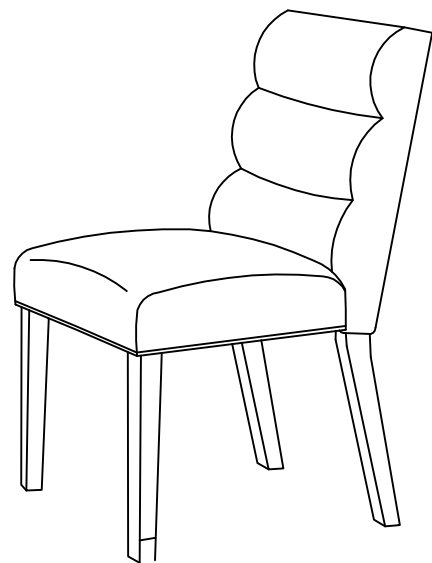
STEP 1

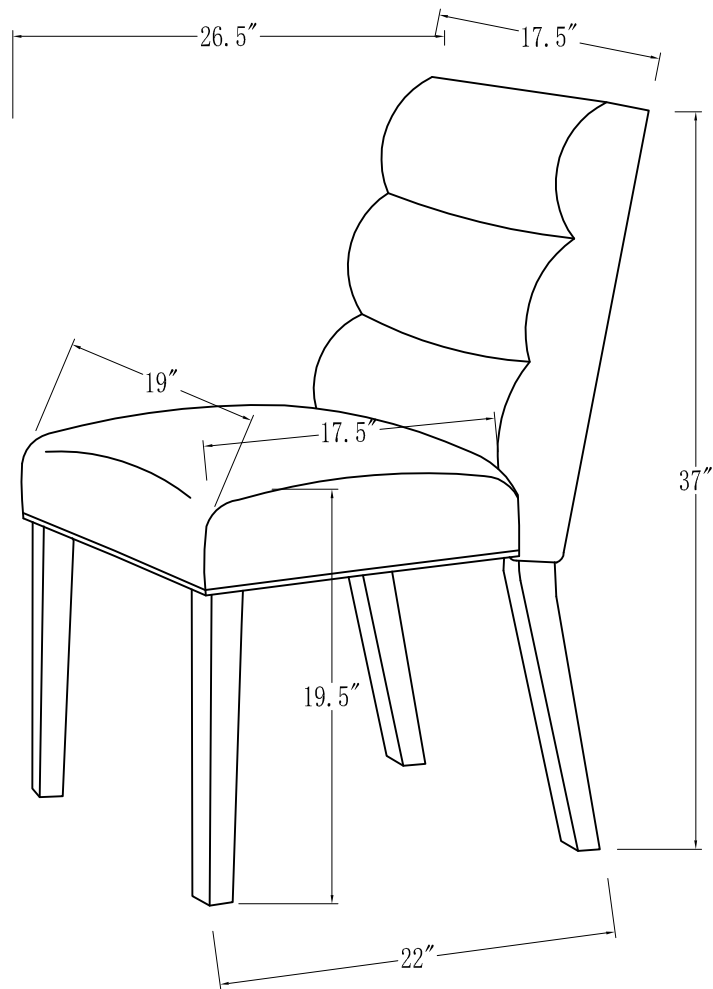


STEP 2



STEP 3 COMPLETE





Note : Dimension tolerance $\pm 5\%$