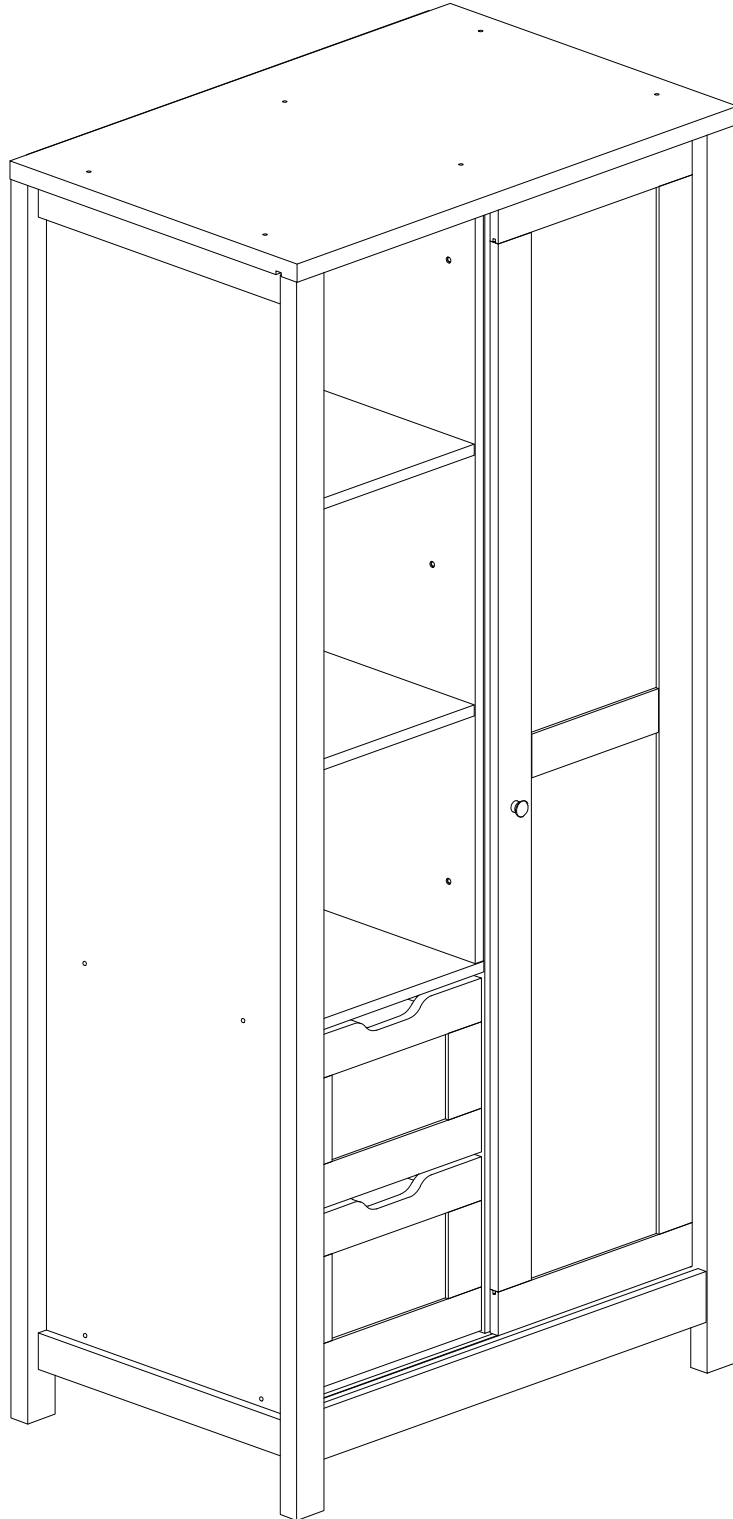
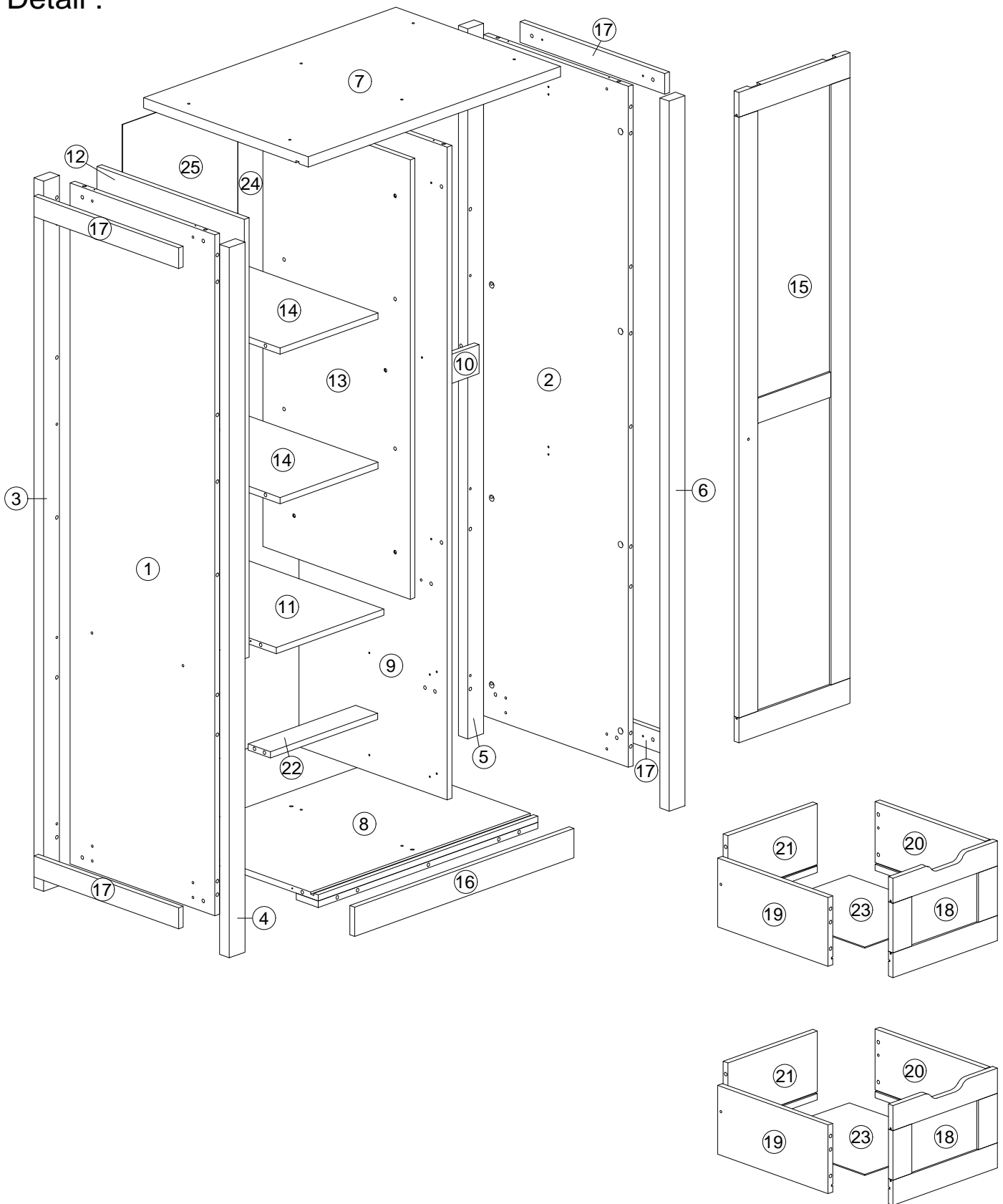


# Assembly Instruction



# Assembly Instruction

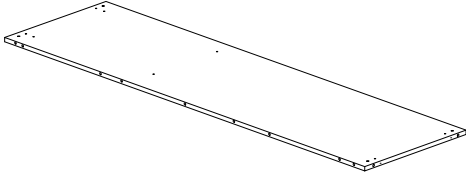
Detail :



# Assembly Instruction

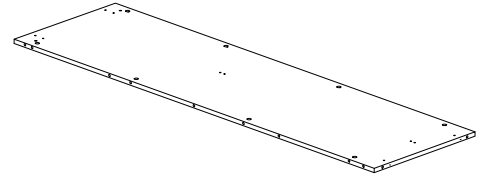
## Part List

① X 1



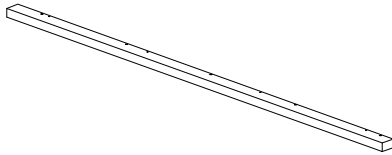
Side Panel Left

② X 1



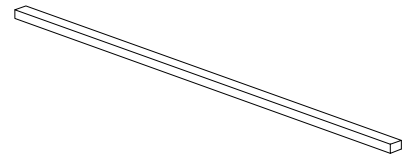
Side Panel Right

③ X 1



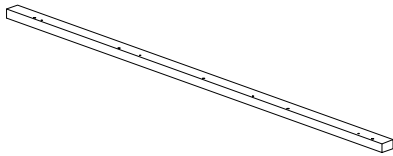
Side Panel Left Back Support

④ X 1



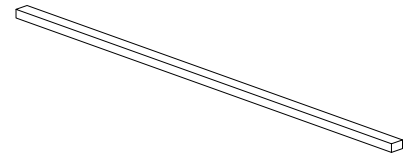
Side Panel Left Front Support

⑤ X 1



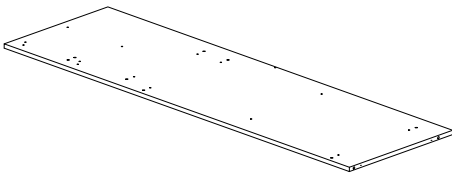
Side Panel Right Back Support

⑥ X 1



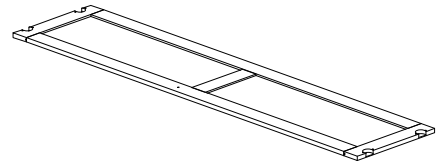
Side Panel Right Front Support

⑨ X 1



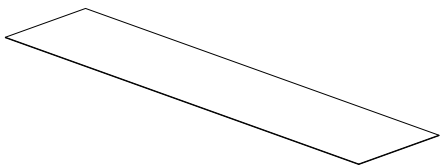
Center Panel

⑮ X 1



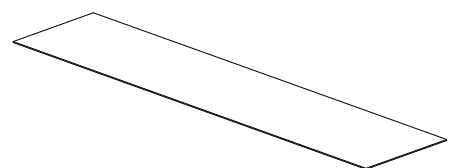
Door Panel Right

⑳ X 1



Back Panel Right

㉕ X 1

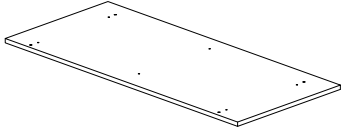


Back Panel Left

# Assembly Instruction

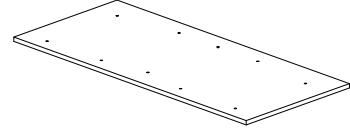
## Part List

⑫ X 1



Side Panel Small Left

⑬ X 1



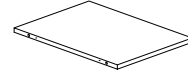
Side Panel Small Right

⑩ X 1



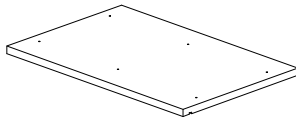
Back Support Right

⑪ X 1



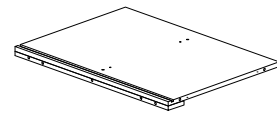
Partition Panel Left

⑦ X 1



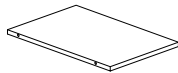
Top Panel

⑧ X 1



Bottom Panel

⑭ X 2



Support Panel

⑰ X 4



Side Panel Small Support Left Right

⑯ X 1



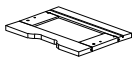
Bottom Support Panel

⑲ X 2



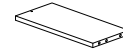
Drawer Side Panel Left

⑱ X 2



Drawer Front Panel

⑳ X 2



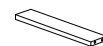
Drawer Side Panel Right

㉑ X 2



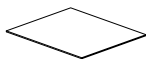
Drawer Back Panel

㉒ X 1



Drawer Support Front Panel

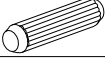
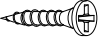

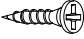





㉓ X 2







Drawer Bottom Panel

# Assembly Instruction

## Hardware List

No.	SHAPE	DESCRIPTION	Qty.
A		8x25mm Dowel (Wood)	69Pcs
B		8x20mm Dowel (Wood)	16Pcs
C		15mm Myfix Minifix	23Sets
D		M3.5x16mm Screw	28Pcs
E		M4x45mm Screw	21Pcs
F		M3.5x12mm Screw	12Pcs
G		V Bracket	4Pcs
H		Handle 209	1Pc
I		M4x28mm Screw	21Pcs
J		PVC Roller T446 Up	2Pcs
K		PVC Roller T446 Down	2Pcs
L		5/8 Nail With Pin	4Pcs
M		6/8 Power Pin	30Pcs
N		Drawer Slide (300mm)	2Sets
O		Aluminium Pipe(334mm)	2Pcs
P		Sticker	6Pcs

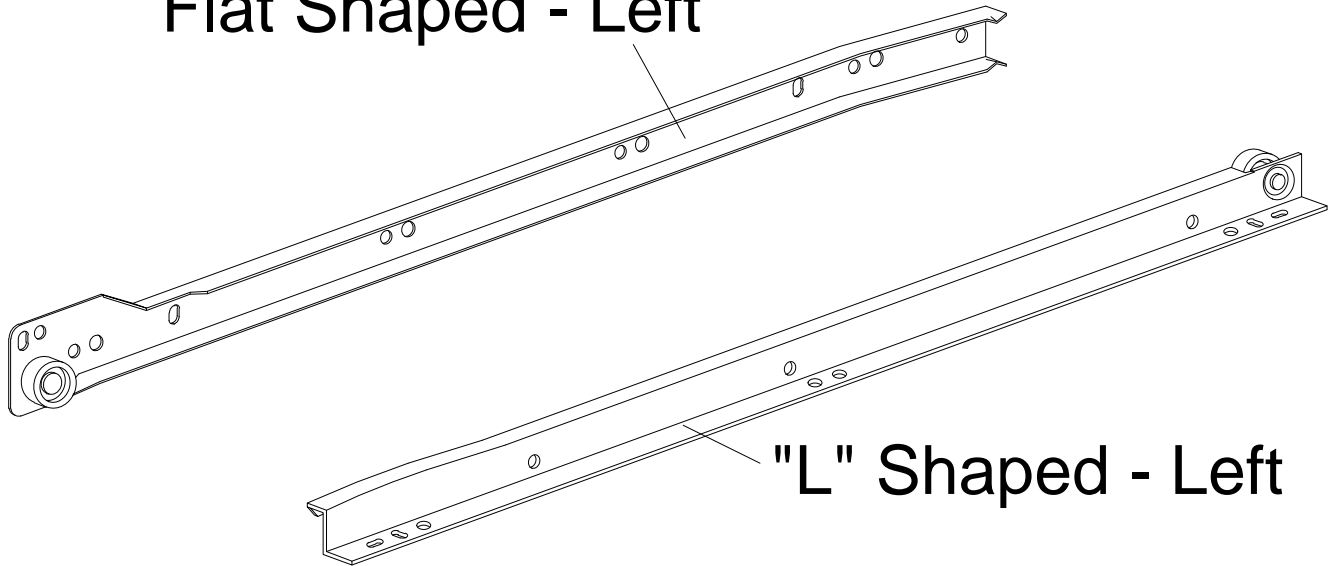
## Anti Tipping Hardware

No.	SHAPE	DESCRIPTION	Qty.
a		Mounting Bracket	2Pcs
b		TP 6# x 5/8" Screw	1Pc
c		TP 8# x 2" Screw	1Pc
d		Restraint Strap	1Pc

# Assembly Instruction

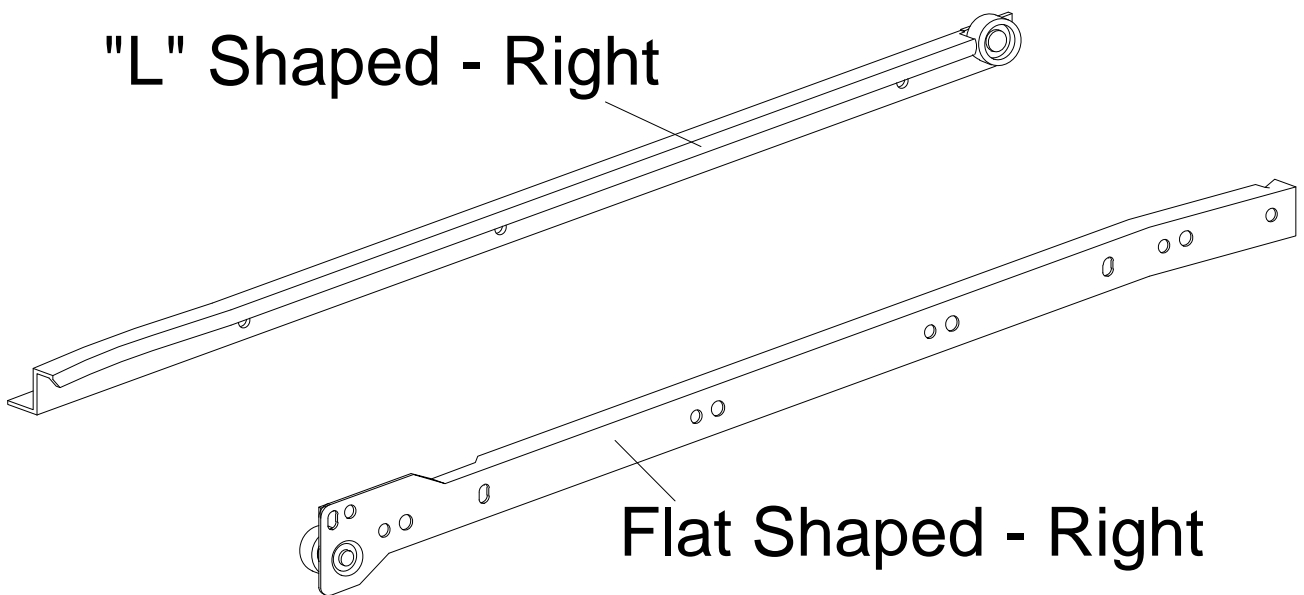
## Left Drawer Silde (N)

Flat Shaped - Left




## Right Drawer Silde (N)

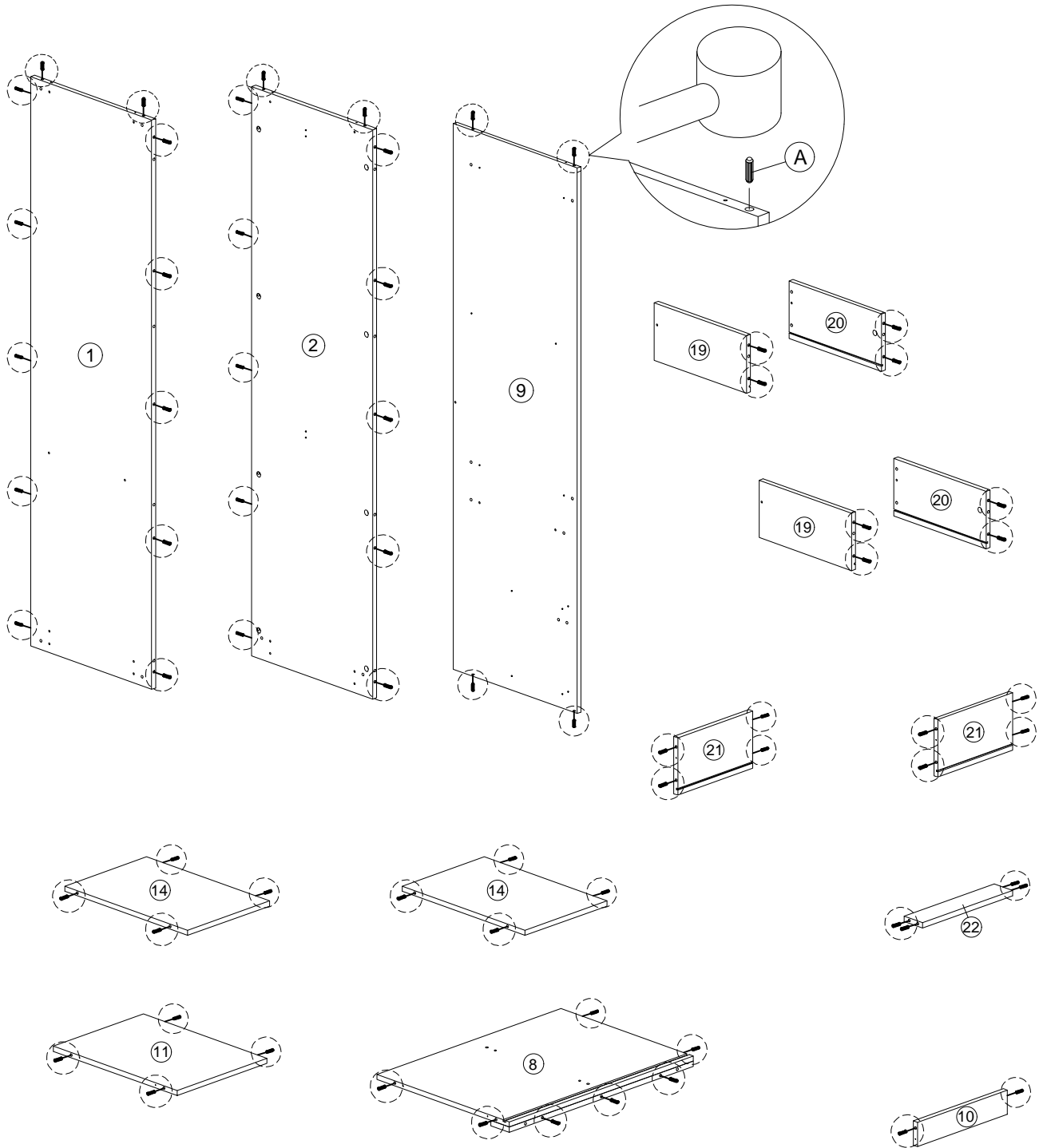
"L" Shaped - Right



# Assembly Instruction

## Step 1

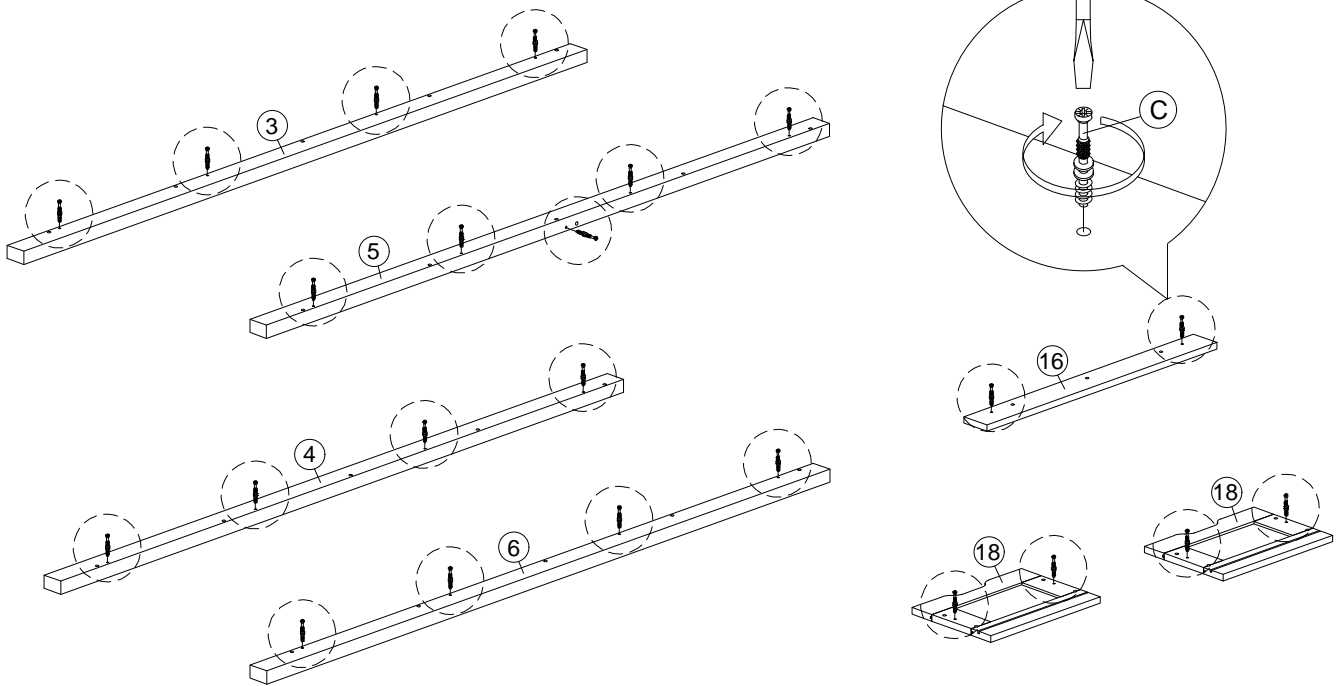
A		8x25mm Dowel (Wood)	69Pcs
---	---	---------------------	-------




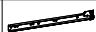
# Assembly Instruction


## Step 2

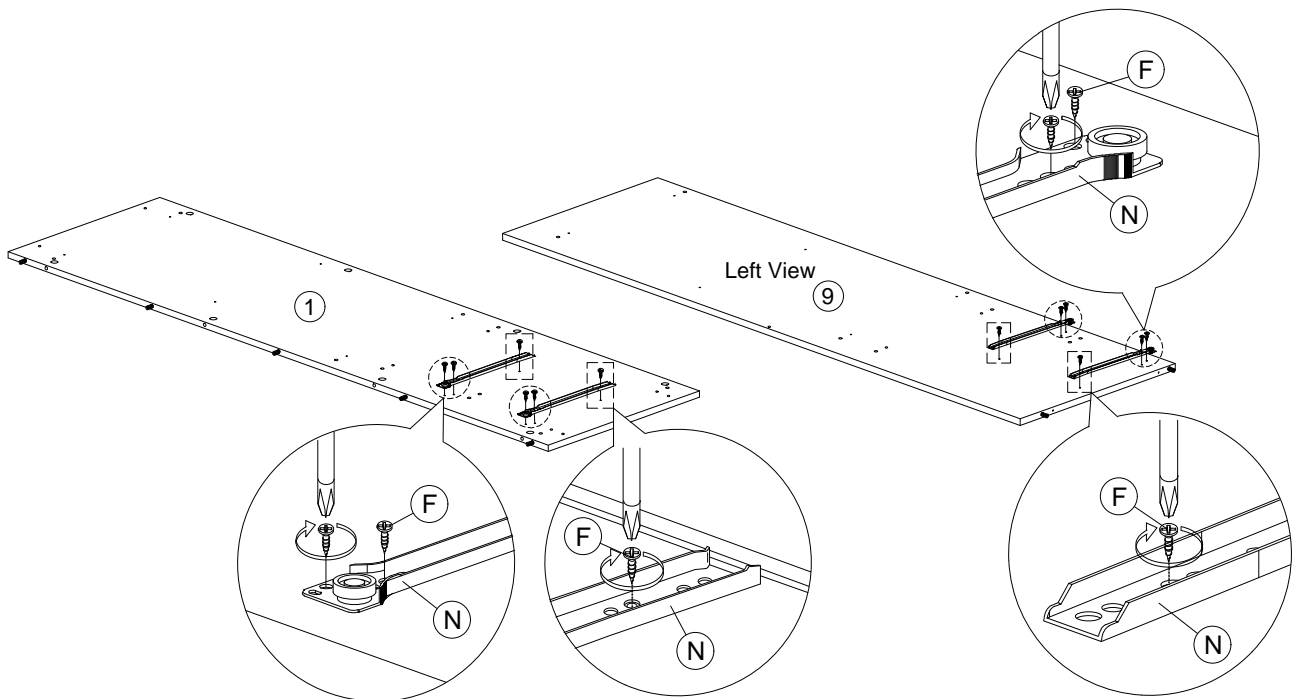
C		Myfix	23Pcs
---	---	-------	-------



## Step 3

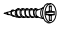

F		M3.5x12mm Screw	12Pcs
N		Drawer Slide 300mm - R	2Pcs

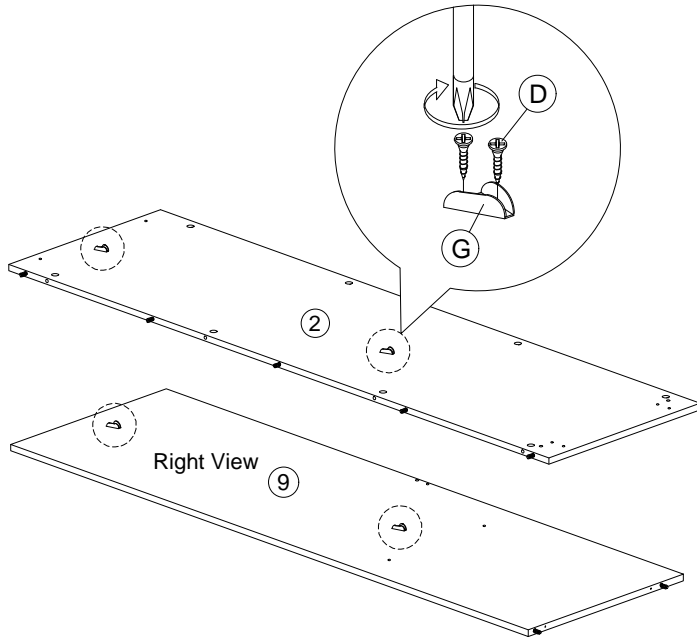
N		Drawer Slide 300mm - L	2Pcs
---	---	------------------------	------




# Assembly Instruction

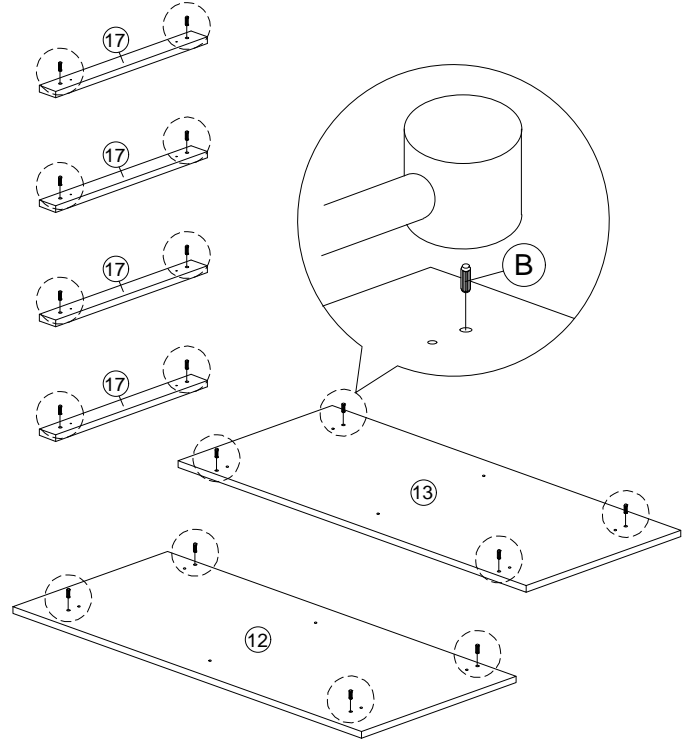
## Step 4

D		M3.5x16mm Screw	8Pcs
G		V Bracket	4Pcs



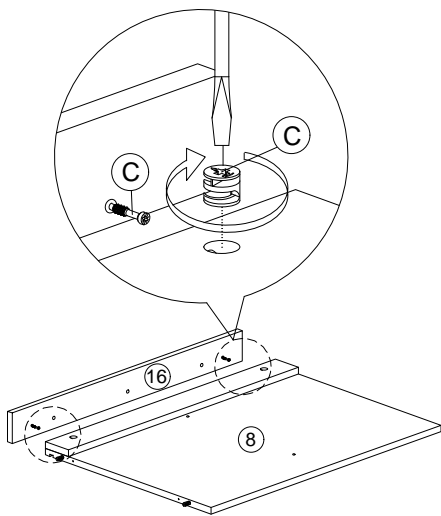
## Step 5

B		8x20mm Dowel (Wood)	16Pcs
---	---	---------------------	-------




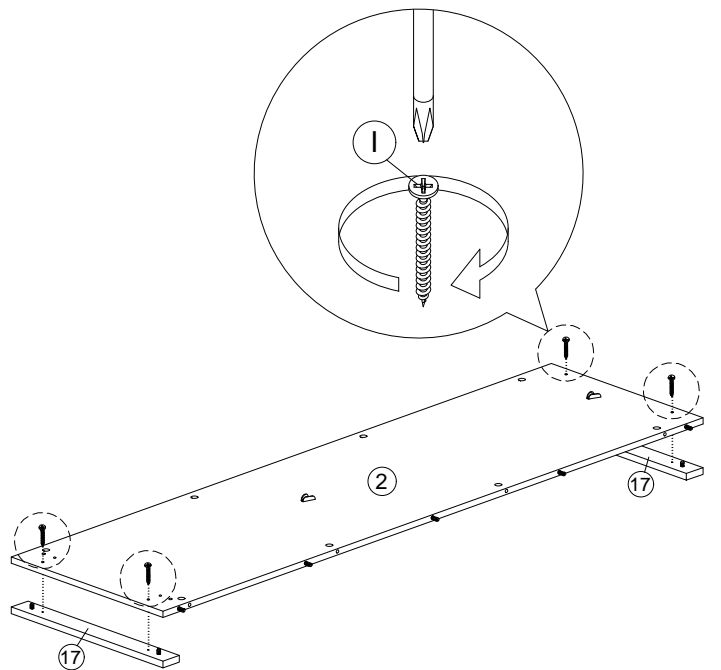
## Step 6

C		Minifix	2Pcs
---	---	---------	------



## Step 7

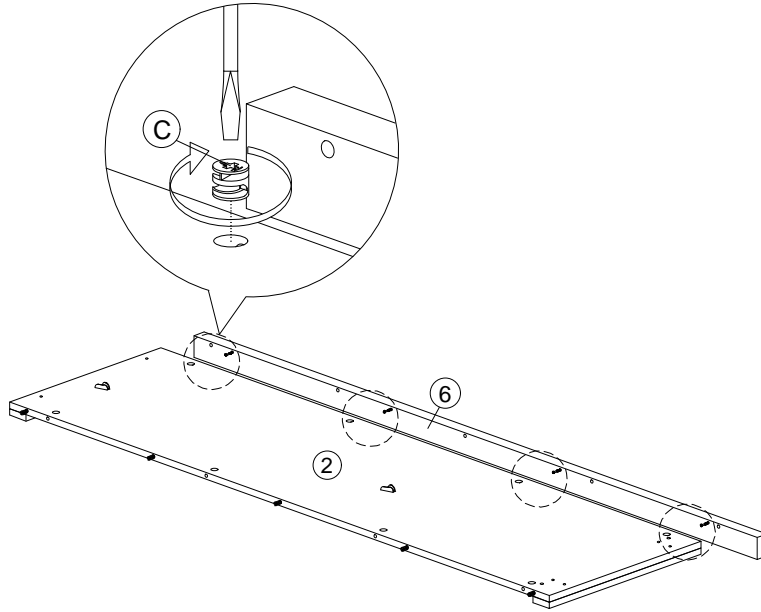
I		M4x28mm Screw	4Pcs
---	---	---------------	------



# Assembly Instruction

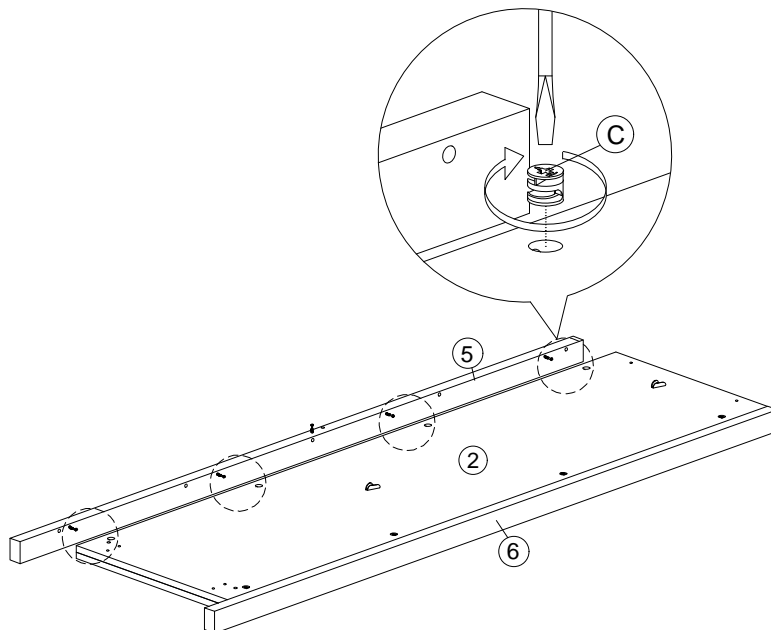
Step 8

C		Minifix	4Pcs
---	---	---------	------




Step 9

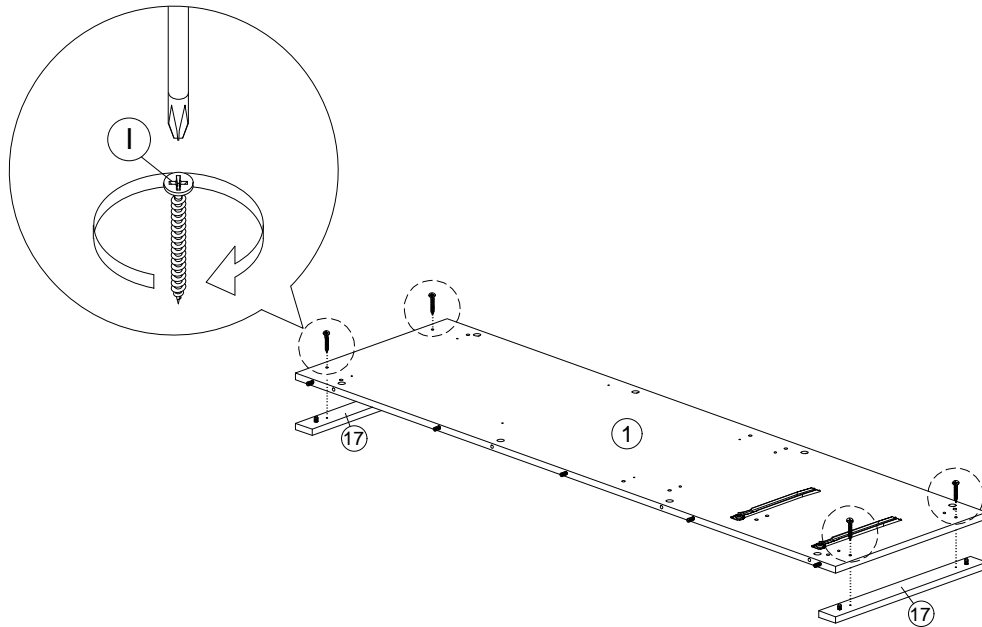
C		Minifix	4Pcs
---	---	---------	------



# Assembly Instruction

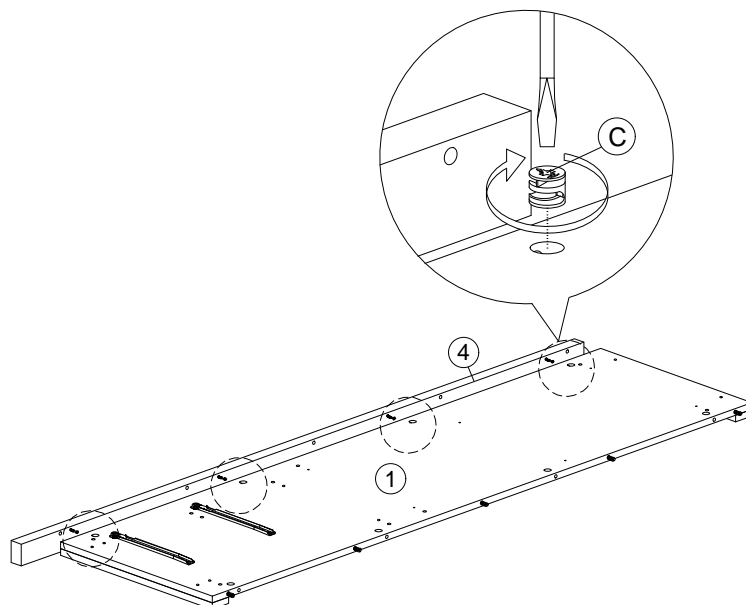
Step 10 

I		M4x28mm Screw	4Pcs
---	---	---------------	------



Step 11 

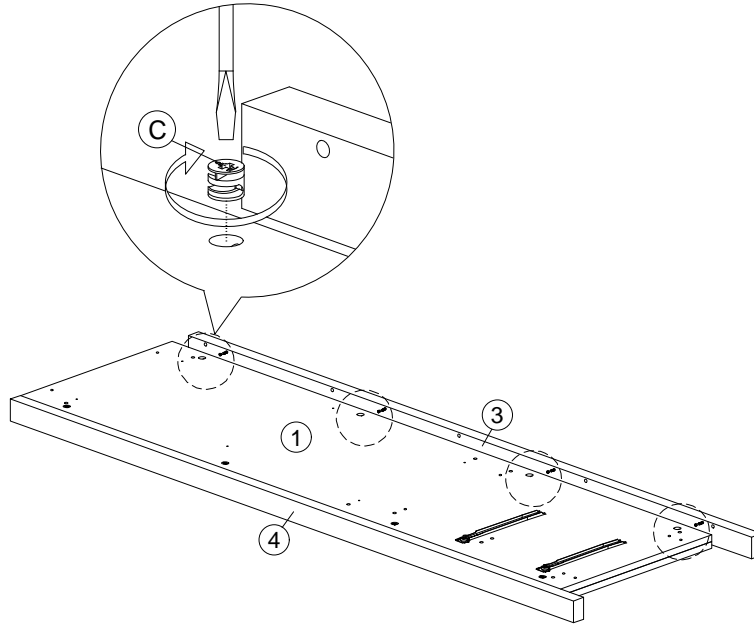
C		Minifix	4Pcs
---	---	---------	------




# Assembly Instruction

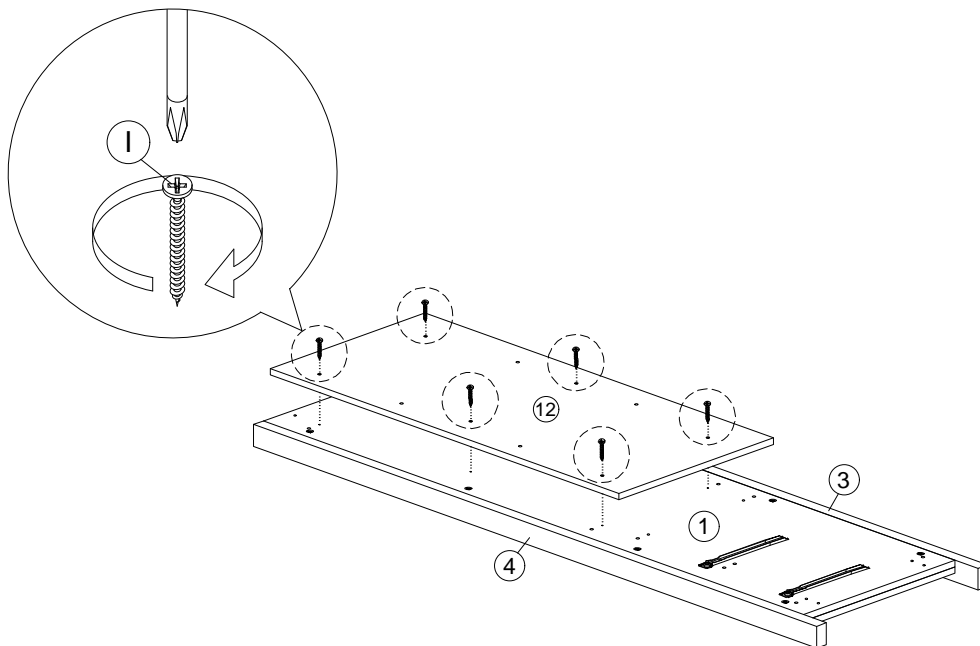
Step 12 

C		Minifix	4Pcs
---	---	---------	------




Step 13 

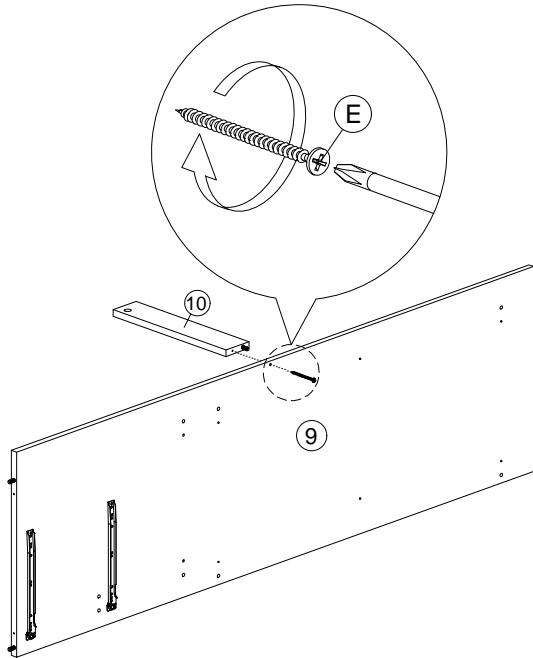
I		M4x28mm Screw	6Pcs
---	---	---------------	------




# Assembly Instruction

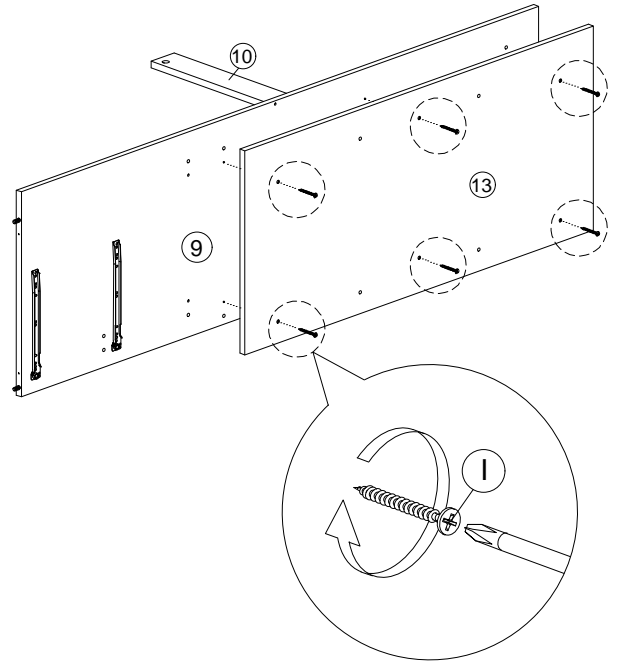
Step 14 

E		M4x45mm Screw	1Pc
---	---	---------------	-----




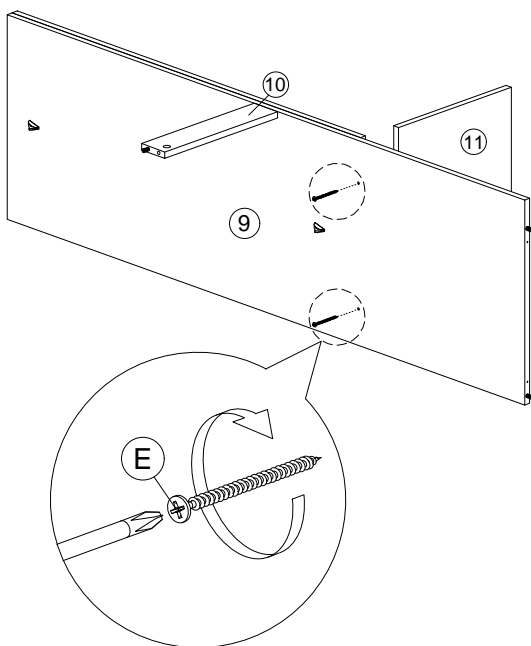
Step 15 

I		M4x28mm Screw	6Pcs
---	---	---------------	------




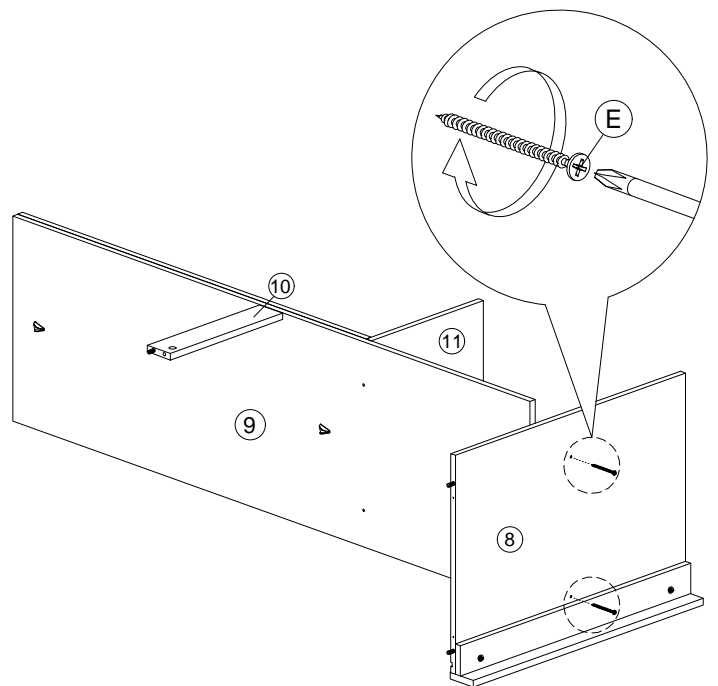
Step 16 

E		M4x45mm Screw	2Pcs
---	---	---------------	------



Step 17 

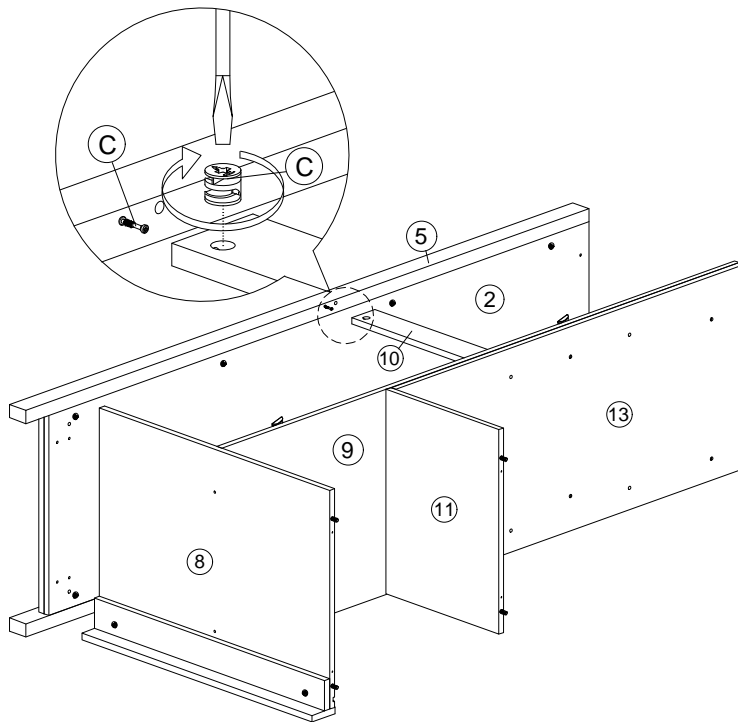
E		M4x45mm Screw	2Pcs
---	---	---------------	------




# Assembly Instruction

## Step 18

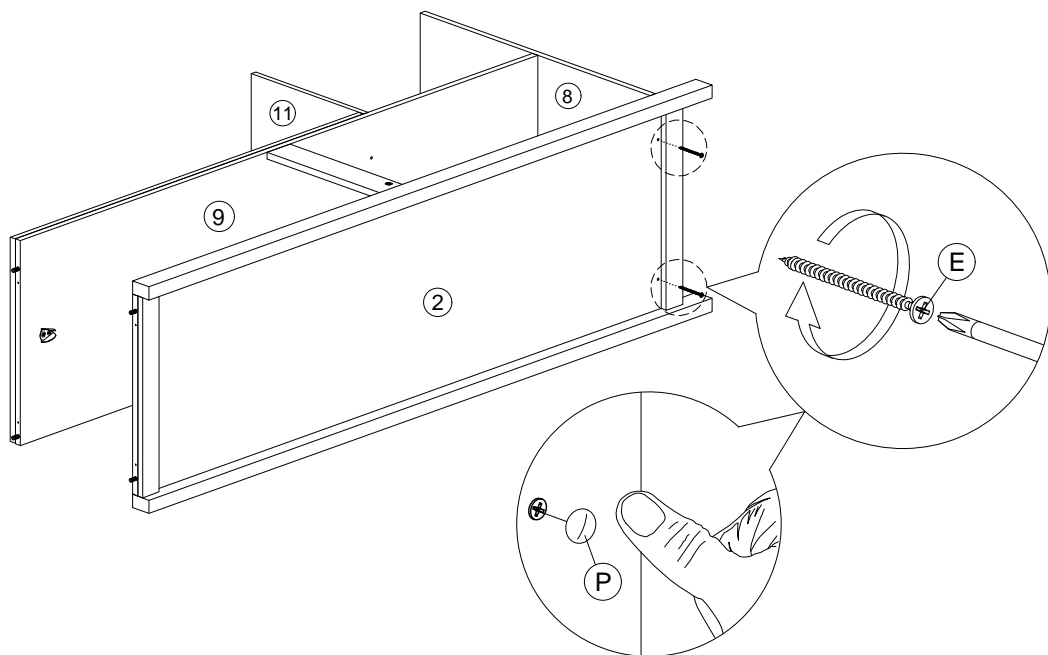
C		Minifix	1Pc
---	---	---------	-----



## Step 19

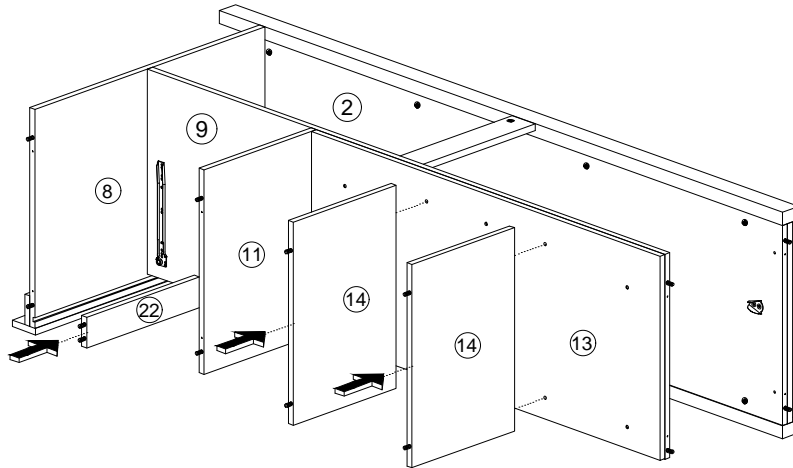
E		M4x45mm Screw	2Pcs
---	---	---------------	------

P		Sticker	2Pcs
---	---	---------	------




# Assembly Instruction

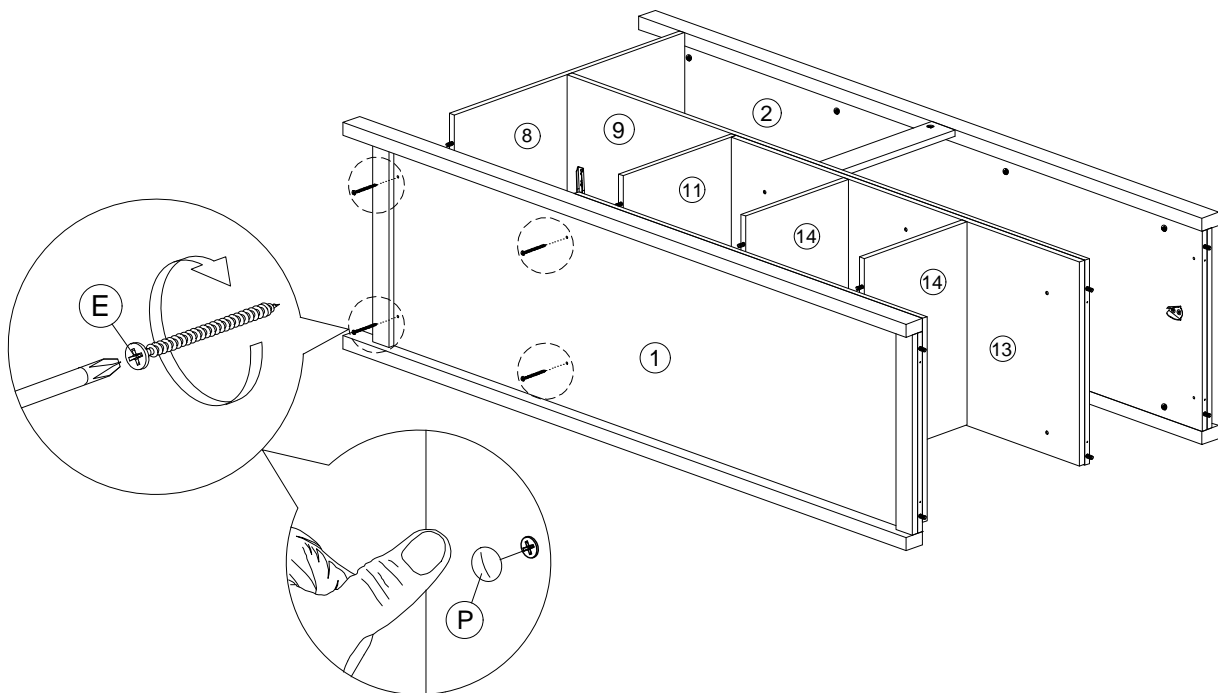
## Step 20



## Step 21


E  M4x45mm Screw 4Pcs

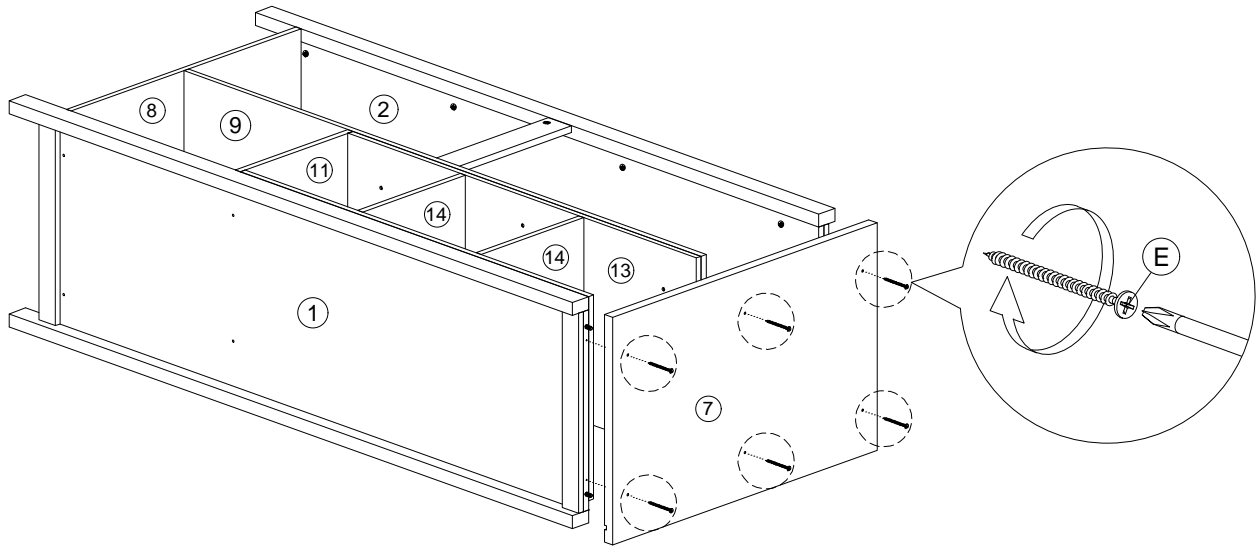
P  Sticker 4Pcs




# Assembly Instruction

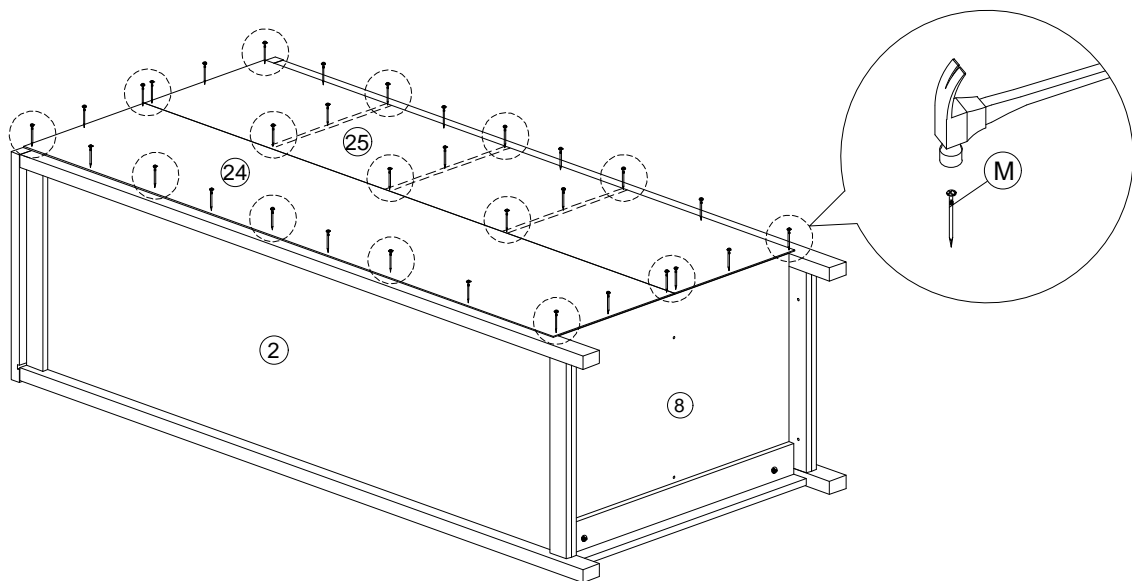
Step 22 

E		M4x45mm Screw	6Pcs
---	---	---------------	------



Step 23 

M		6/8 Power Pin	30Pcs
---	---	---------------	-------



# Assembly Instruction

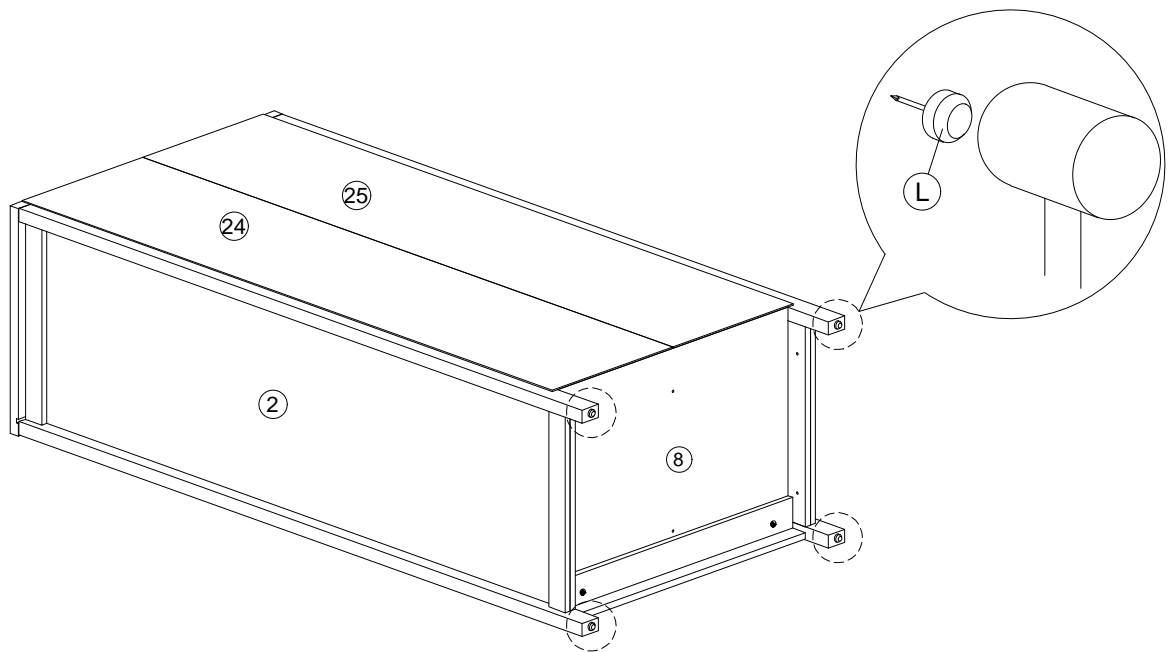
Step 24

L



5/8 Nail With Pin

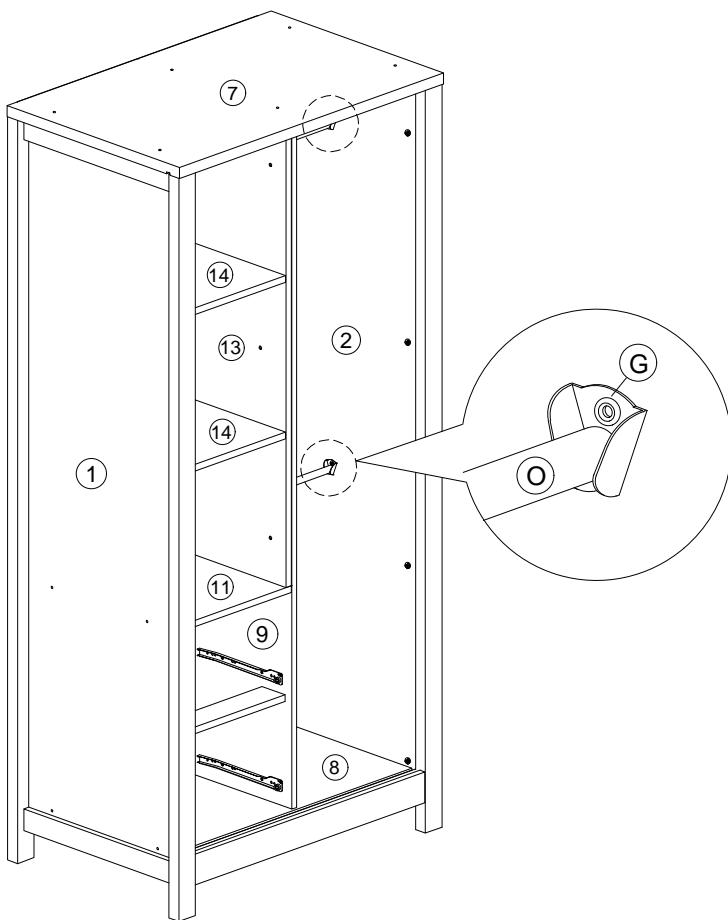
4Pcs



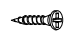


# Assembly Instruction

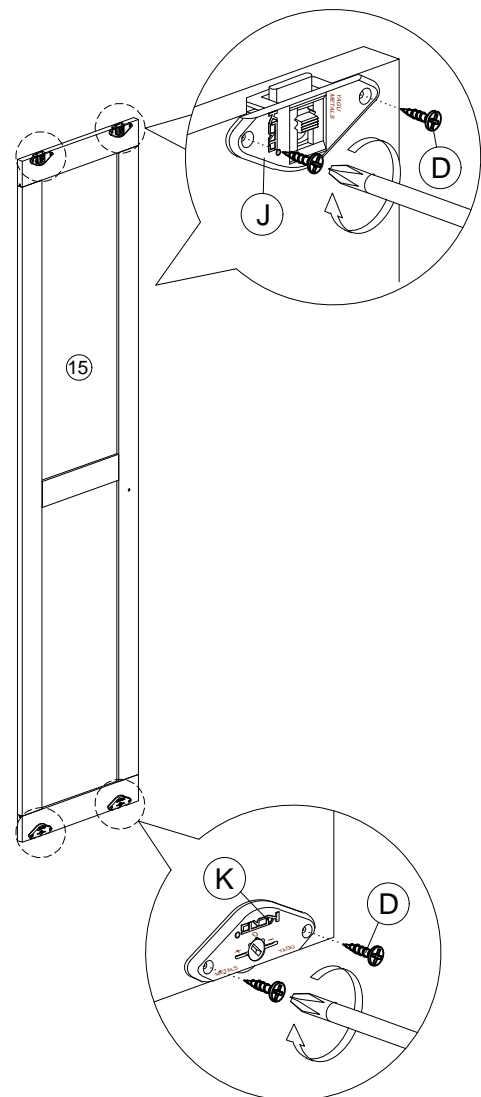
Step 25 

O		Aluminium Pipe 334mm	2Pcs
---	---	----------------------	------





Step 26 

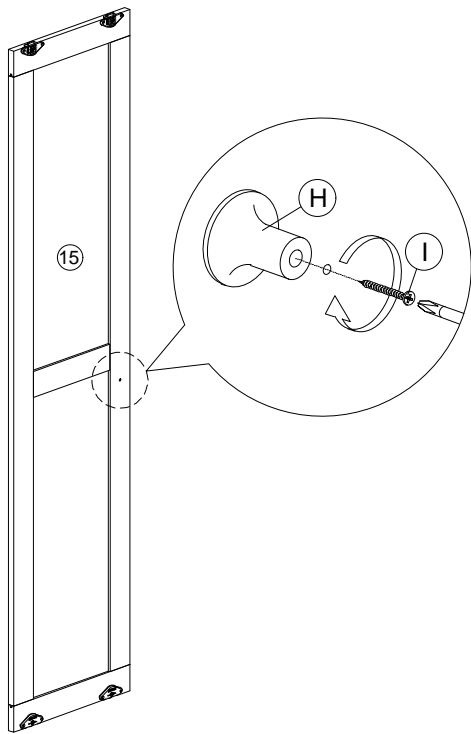
D		M3.5x16mm Screw	8Pcs
J		PVC Roller T466 Up	2Pcs
K		PVC Roller T466 Down	2Pcs



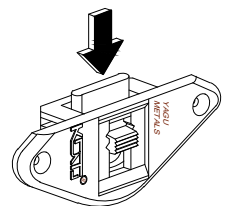
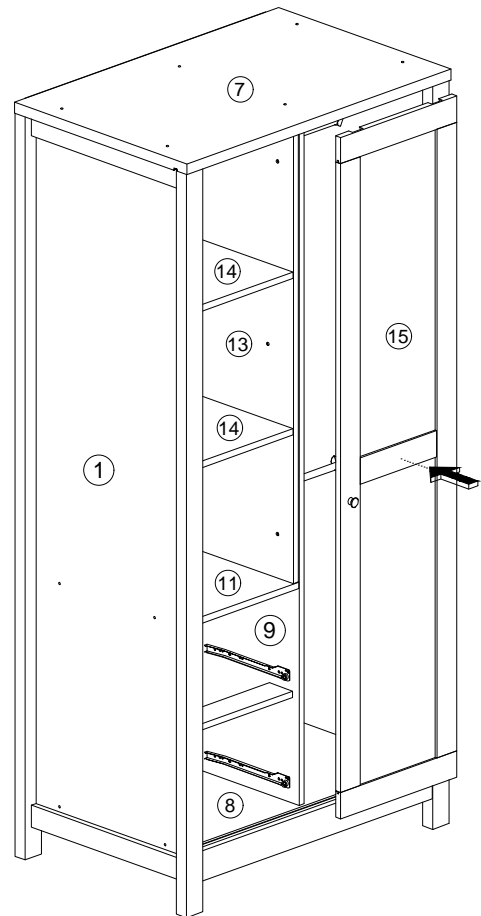
# Assembly Instruction

## Step 27

H		Handle 209	1Pc
I		M4x28mm Screw	1Pc

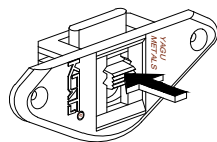
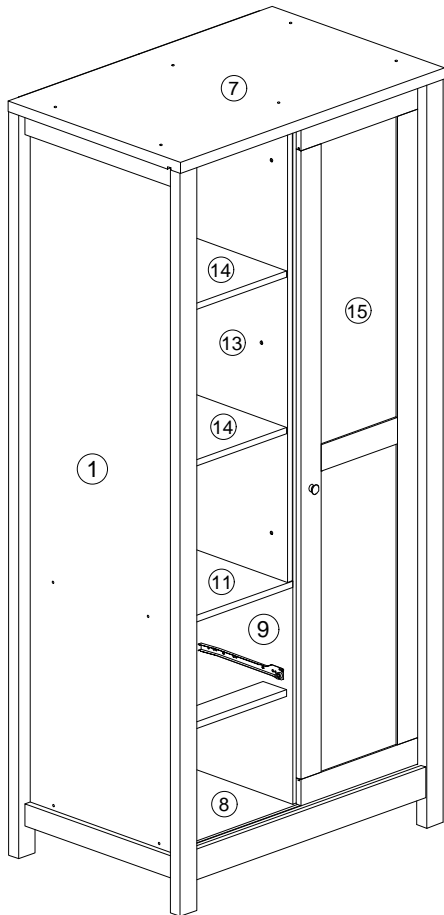


## Step 28



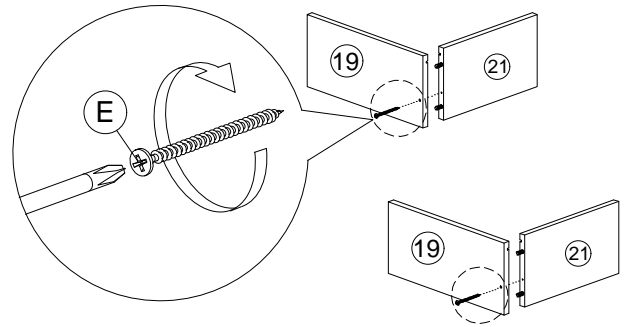
# Assembly Instruction

## Step 29




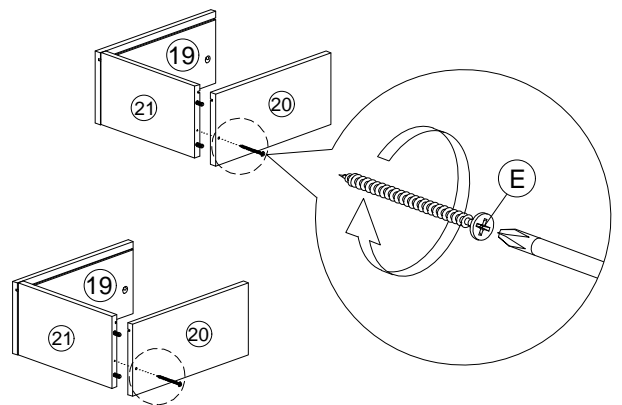
## Step 30

E		M4x45mm Screw	2Pcs
---	---	---------------	------



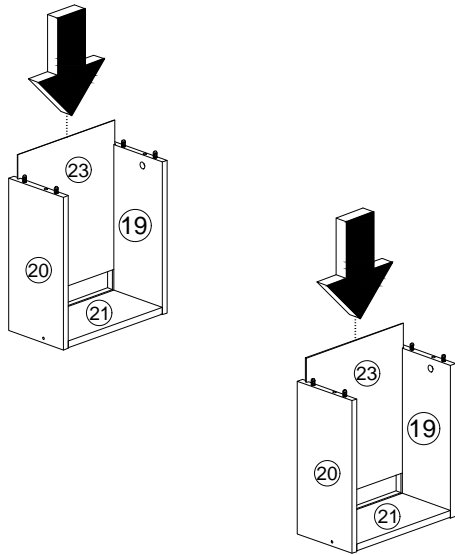
## Step 31

E		M4x45mm Screw	2Pcs
---	---	---------------	------



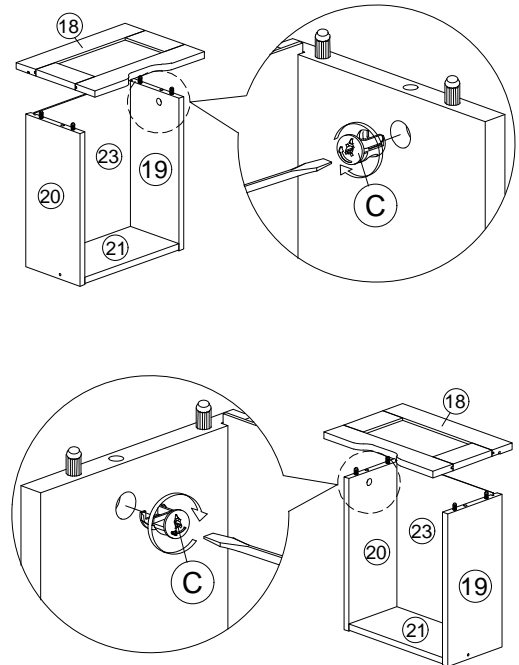
# Assembly Instruction

## Step 32



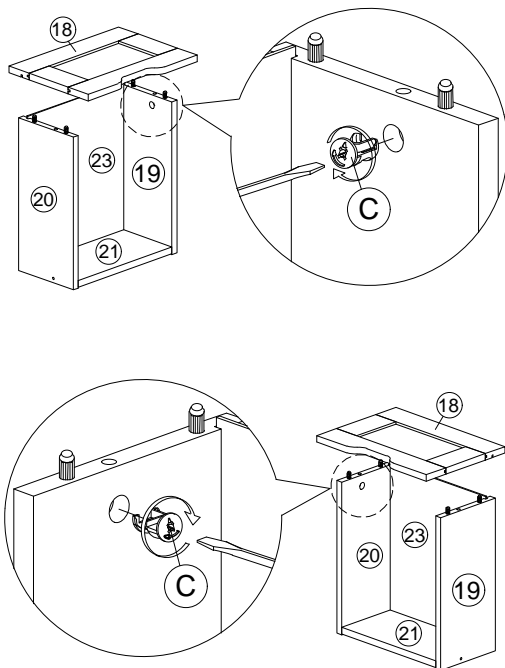
## Step 33

C		Minifix	2Pcs
---	--	---------	------



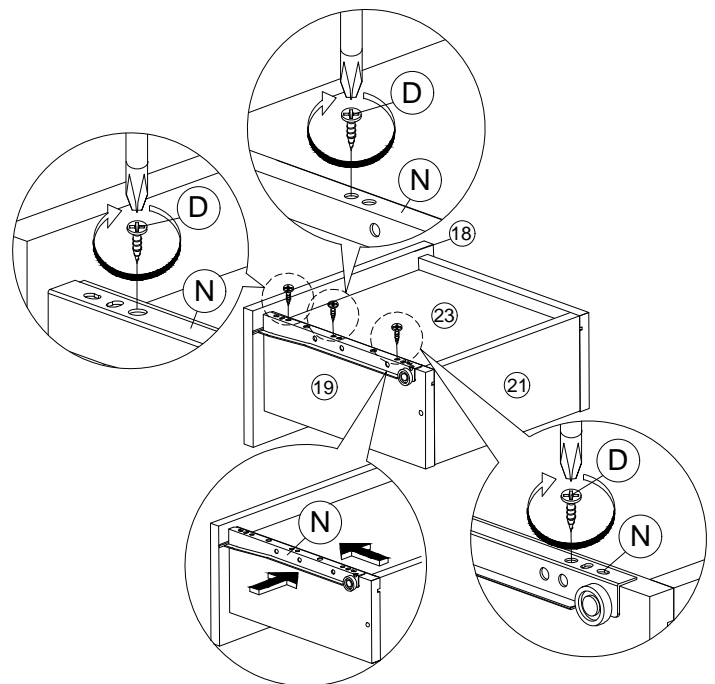
## Step 34

C		Minifix	2Pcs
---	--	---------	------




## Step 35

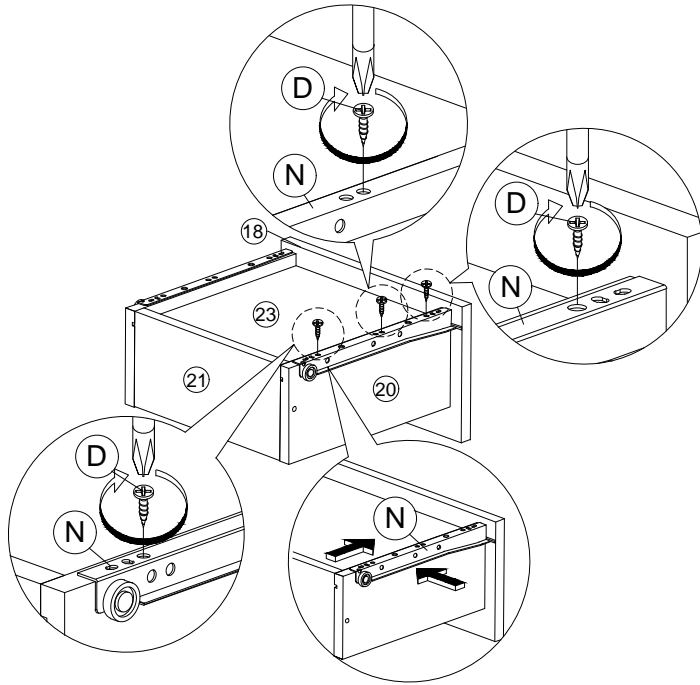
D		M3.5x16mm Screw	3Pcs
N		Drawer Slide 300mm - L	1Pc



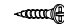

# Assembly Instruction

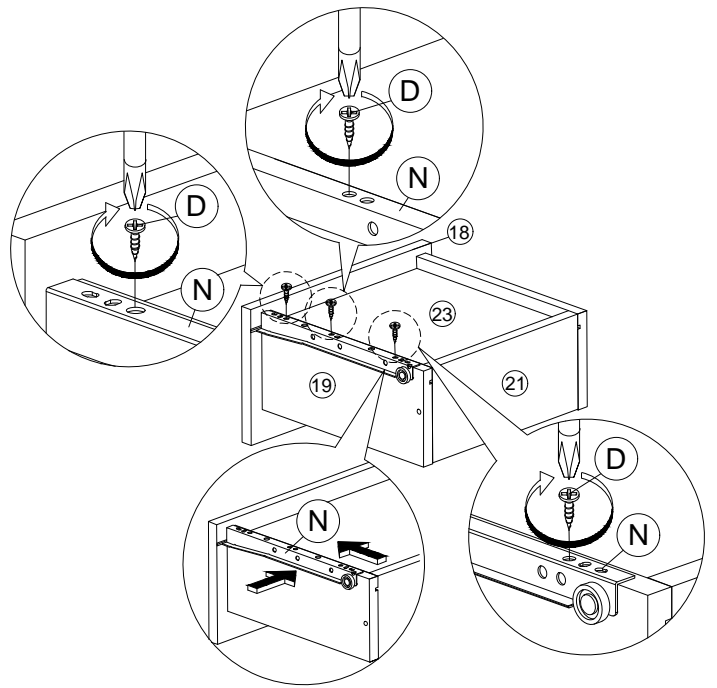
## Step 36

D		M3.5x16mm Screw	3Pcs
N		Drawer Slide 300mm - R	1Pc

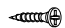



## Step 37

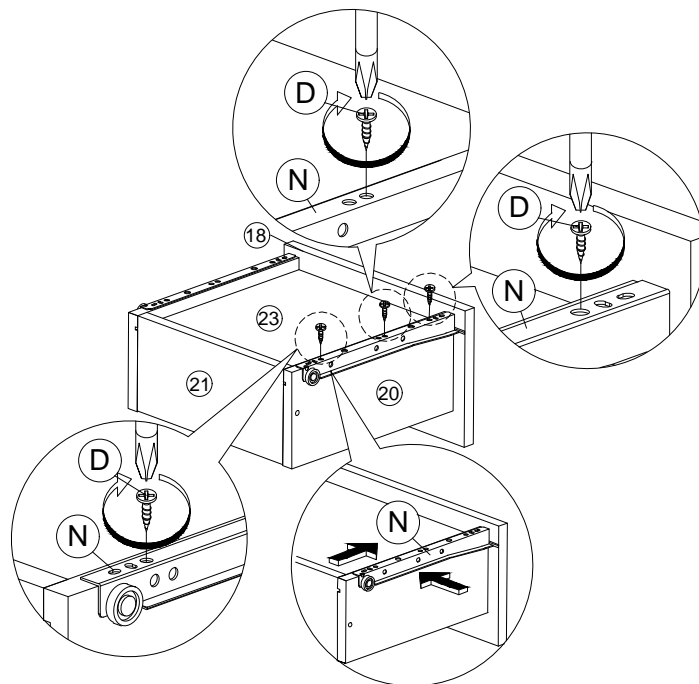
D		M3.5x16mm Screw	3Pcs
N		Drawer Slide 300mm - L	1Pc



## Step 38

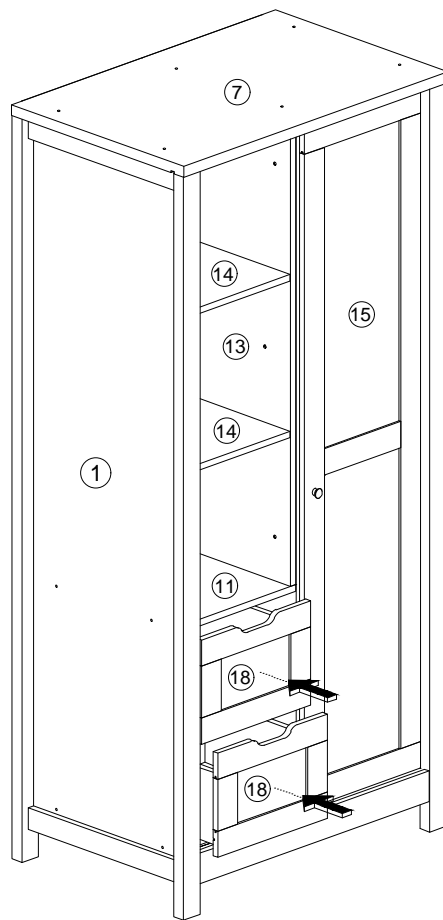
D		M3.5x16mm Screw	3Pcs
---	---	-----------------	------

N		Drawer Slide 300mm - R	1Pc
---	---	------------------------	-----



# Assembly Instruction

## Step 39



# FITTING OF ANTI-TIP SAFETY STRAP

## STEP 1:

- Attach the mounting bracket (a) to the furniture in the solid part below the top panel a few inches away from the side of the unit.
- Screw (b) through the smallest hole of (a).

## STEP 2:

- Locate a stud in behind the have to
- Place the other mounting bracket (a) on the wall stud 2 inches below the mounting bracket secured to the back of your unit.
- Attach to the wall stud using (c) through the smaller hole of (a).

## STEP 3:

- Repeat the same step a few inches away from the other side of the unit.
- Place the furniture into position so both mounting brackets are vertically in line.
- Lace the end of the restraint strap through the larger holes in each mounting bracket.
- Secure the straps and lock into place.

