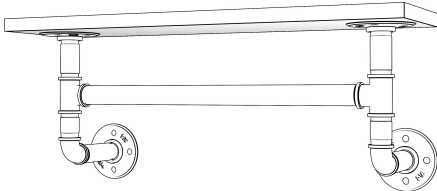


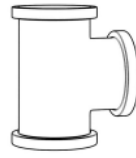



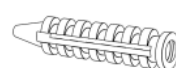

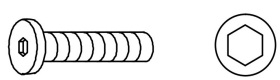
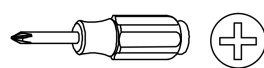



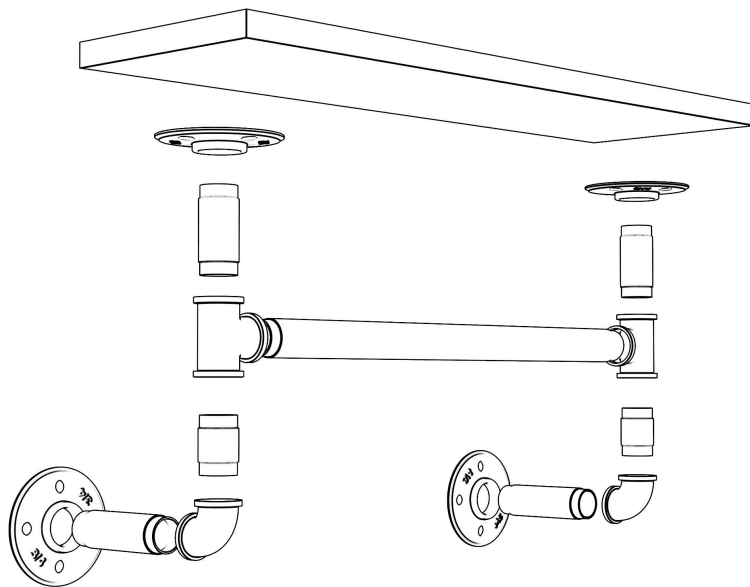
# SKU: 6090-HG311BR

## ASSEMBLY INSTRUCTION

	<p><b>A</b></p>  <p>4 PCS</p>	<p><b>B</b></p>  <p>2PCS</p>	
	<p><b>C</b></p>  <p>2PCS</p>	<p><b>D</b></p>  <p>D 1 : 1.5" 2PCS D 2 : 2.7" 2PCS D 3 : 4" 2PCS</p>	
<p><b>E</b></p>  <p>1PCS</p>	<p><b>F</b></p>  <p>1PCS</p>	<p><b>G</b></p>  <p>8PCS</p>	<p><b>H</b></p>  <p>8PCS</p>
<p><b>I</b></p>  <p>8PCS</p>	 <p>1PC</p>	 <p>1PC</p>	

Please unscrew all spare parts before assembling.  
 If you find the screw thread is rusty, please don't worry,  
 it will not affect the installation and use.

# SKU: 6090-HG311BR ASSEMBLY INSTRUCTION

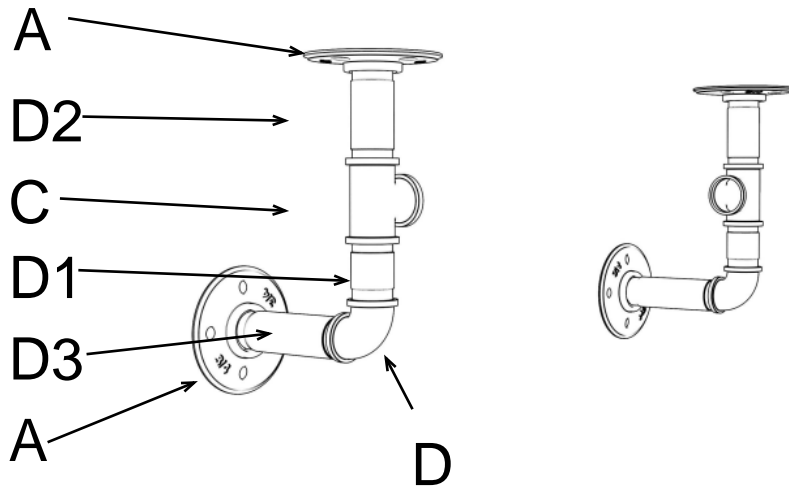


Decomposition Diagram

# SKU: 6090-HG311BR

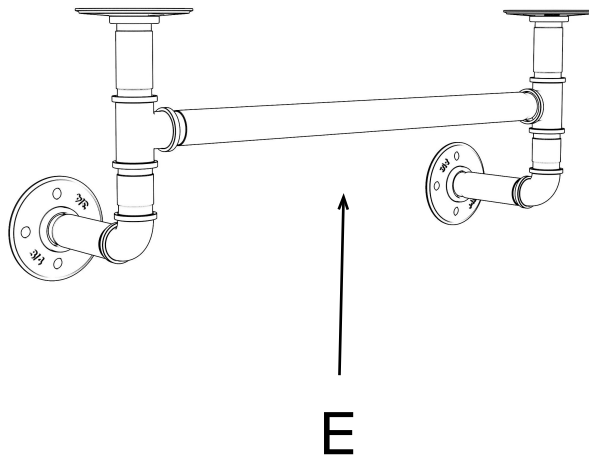
## ASSEMBLY INSTRUCTION

### STEP 1



2PCS

### STEP 2

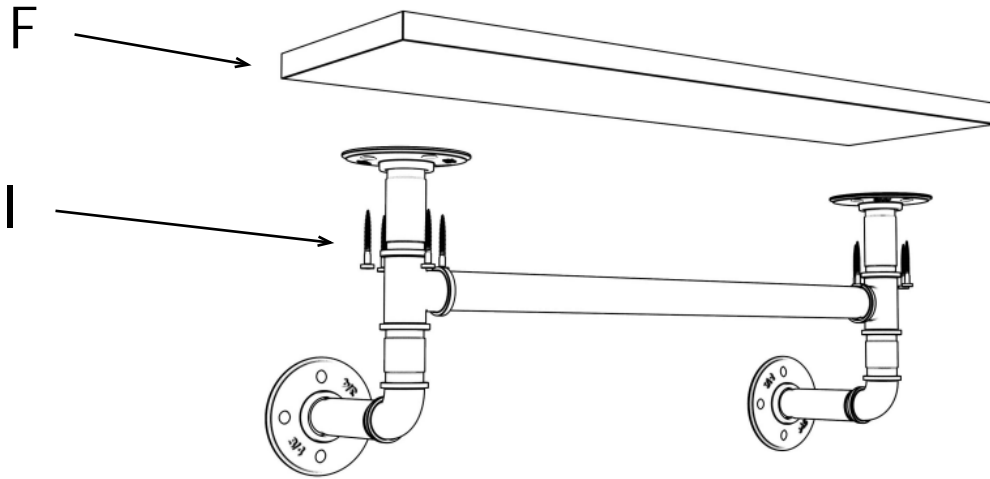


1PCS

# SKU: 6090-HG311BR

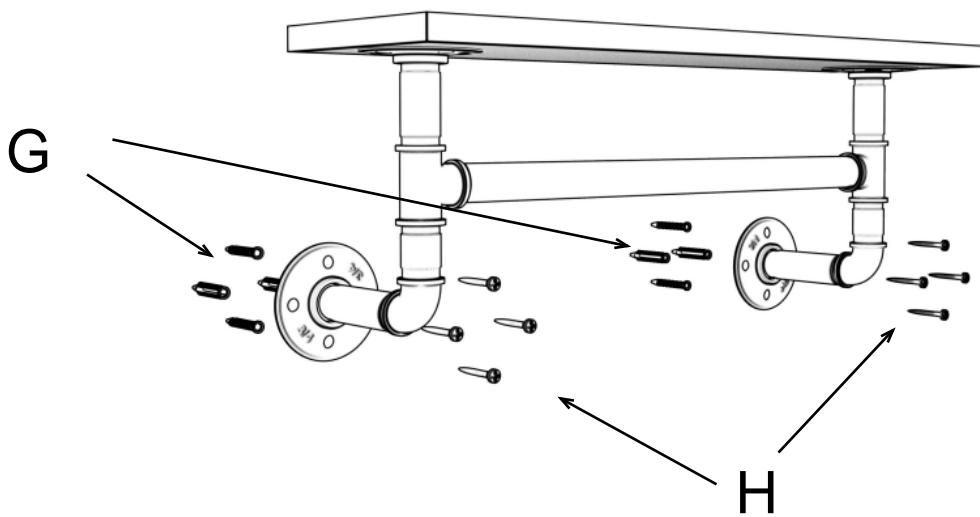
## ASSEMBLY INSTRUCTION

### STEP 3



1PC

### STEP 4



1PC