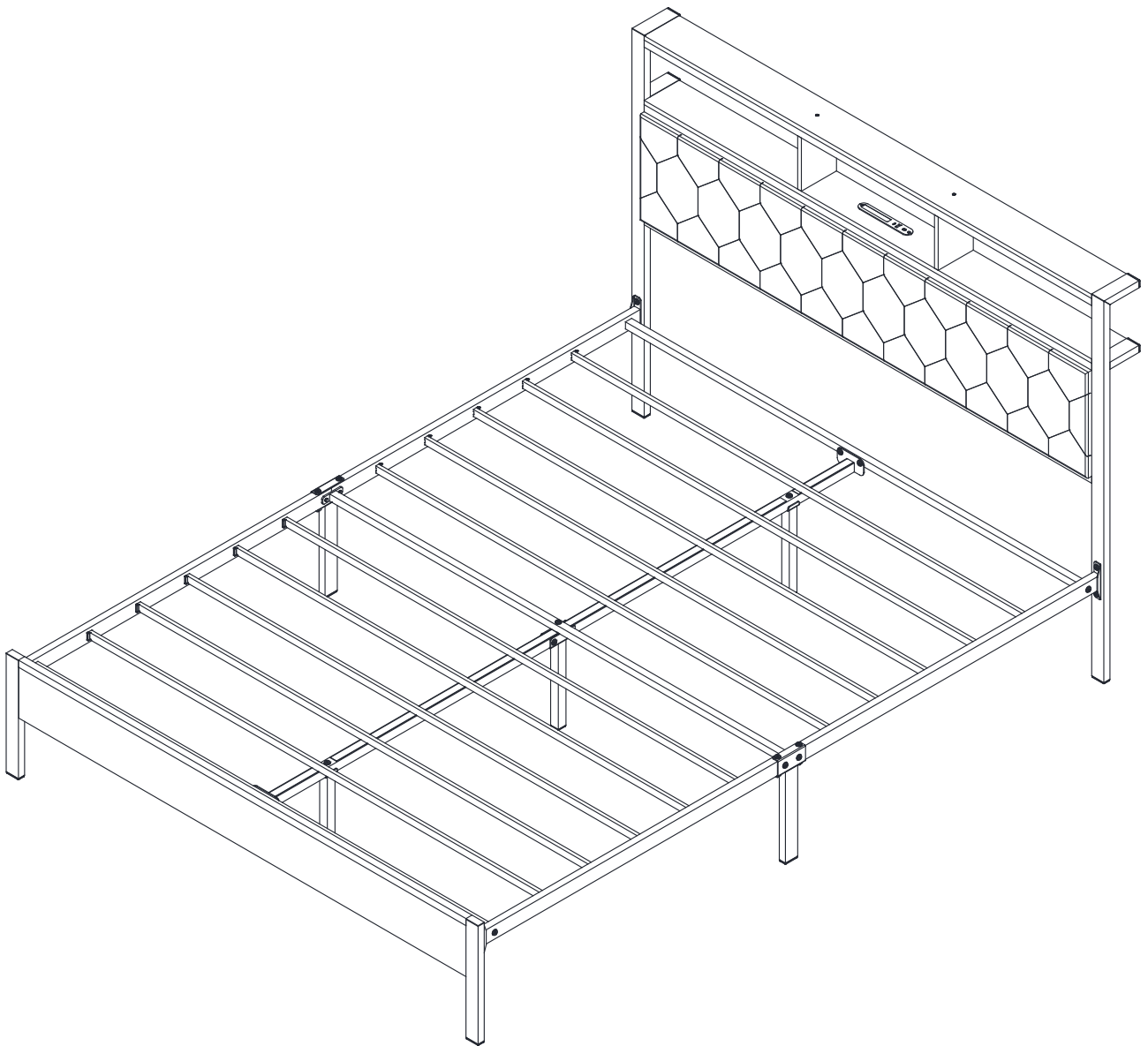
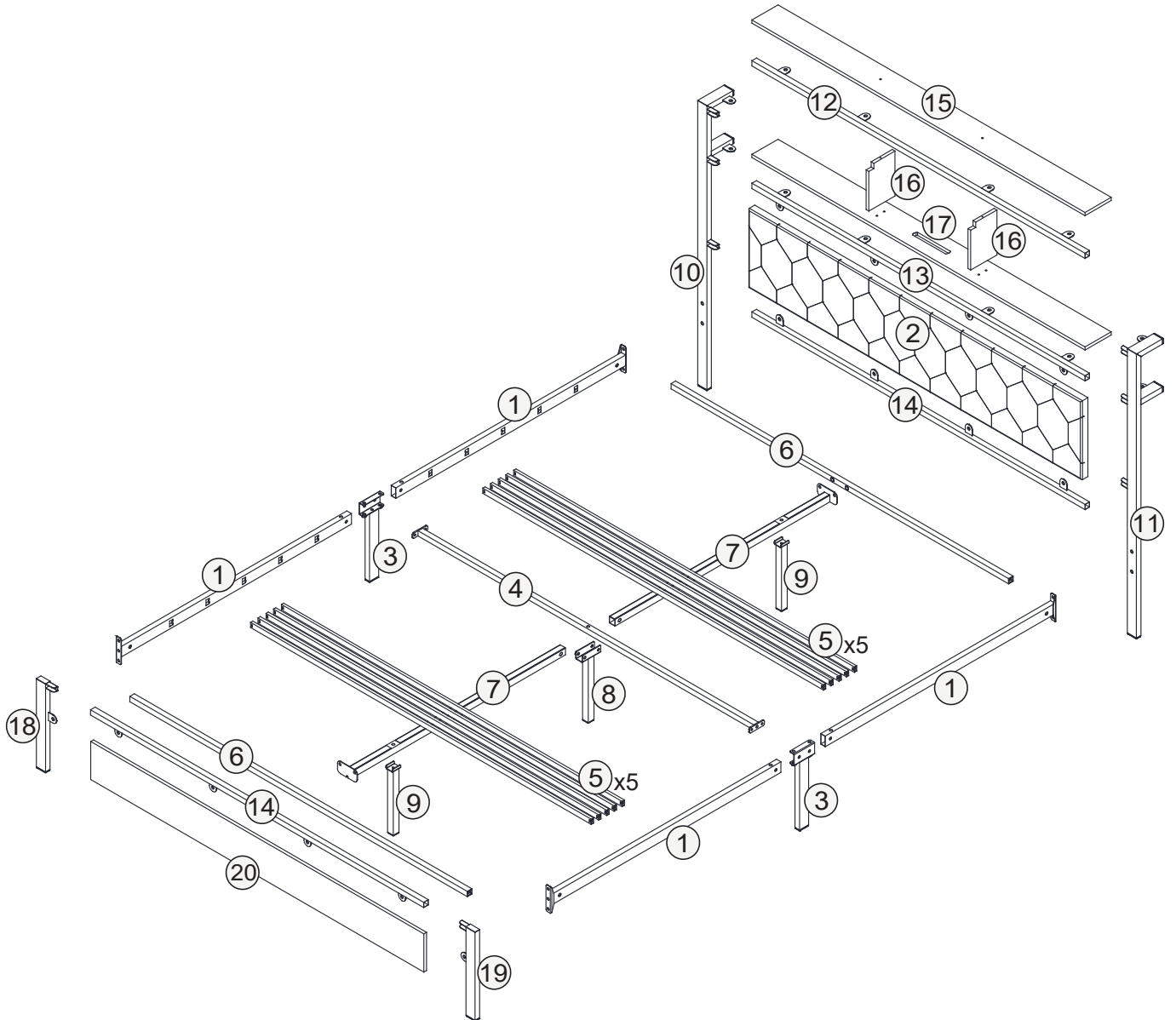


BED FRAME



Thank you for choosing our products, please assemble and use it following the instructions.

Assembly Instruction



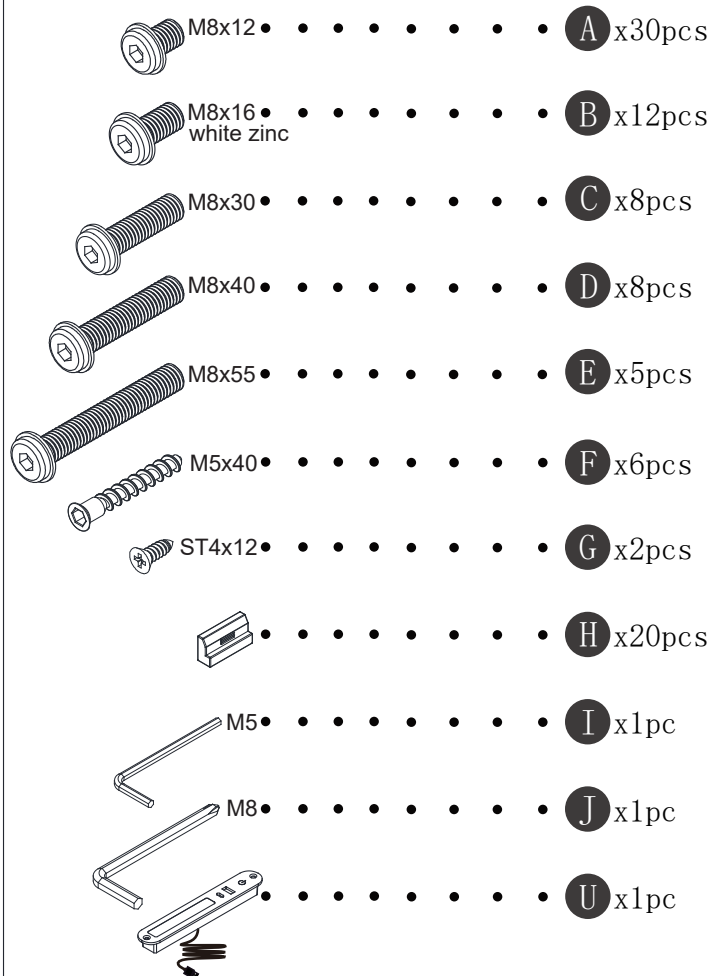
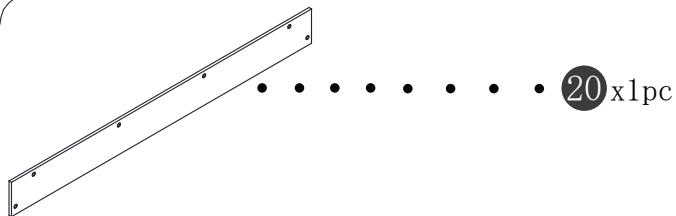
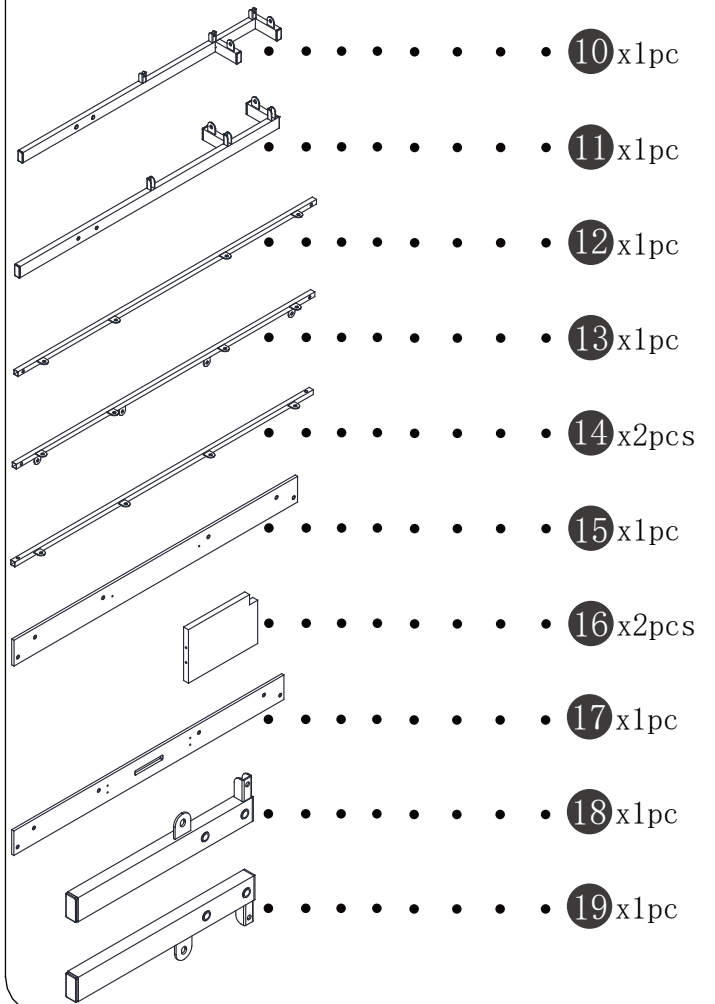
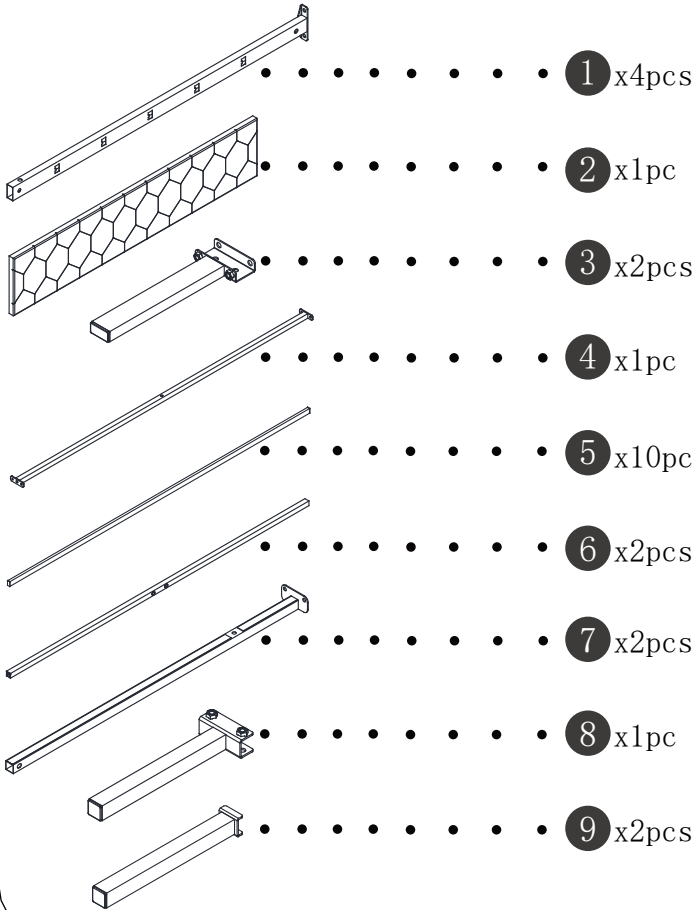
B433-F/Q/K

Important Note

HARDWARE NOTE :

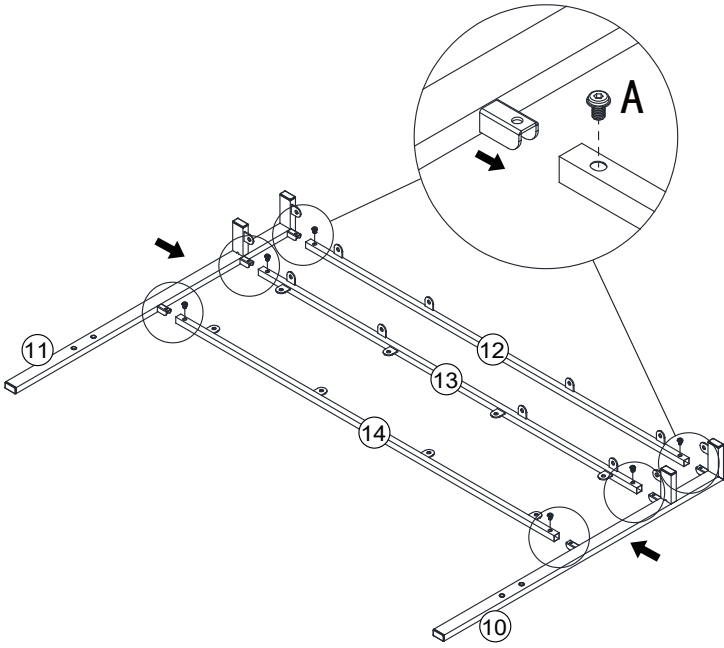
1. Two or more people are required for assembly
2. Do not screw on the bolts too tight unless the installation is done. Make sure all bolts are tightly screwed before you use it.


Components



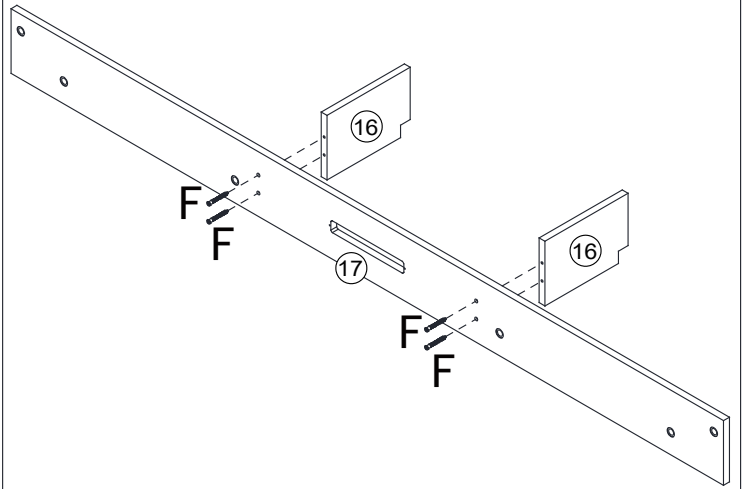
1

⚠ Do not fully tighten the screws yet.



A		6pcs
M8x12		

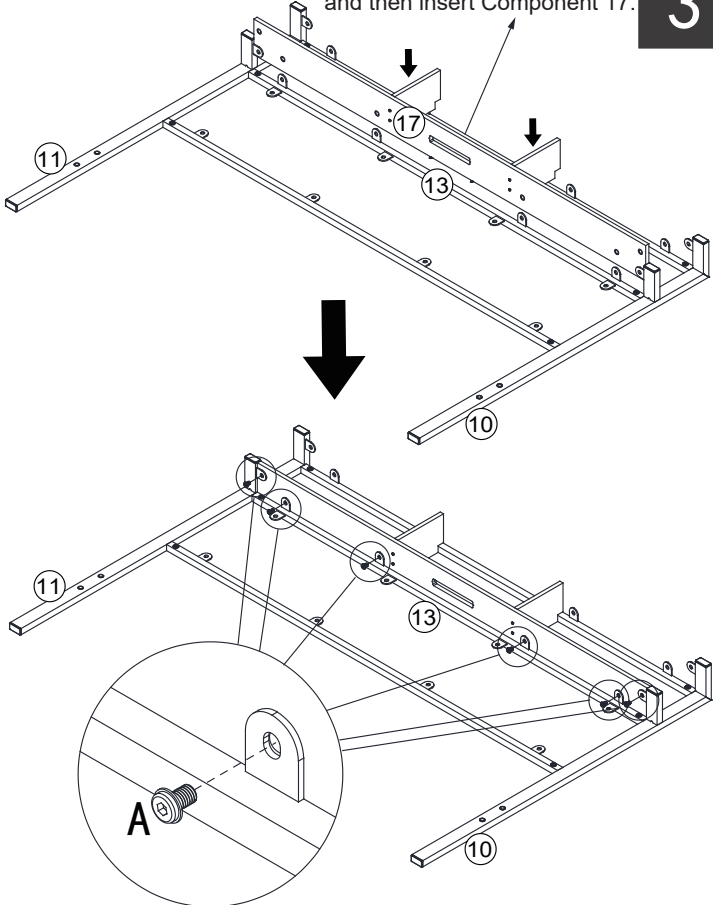
2



F		4pcs
M5x40		

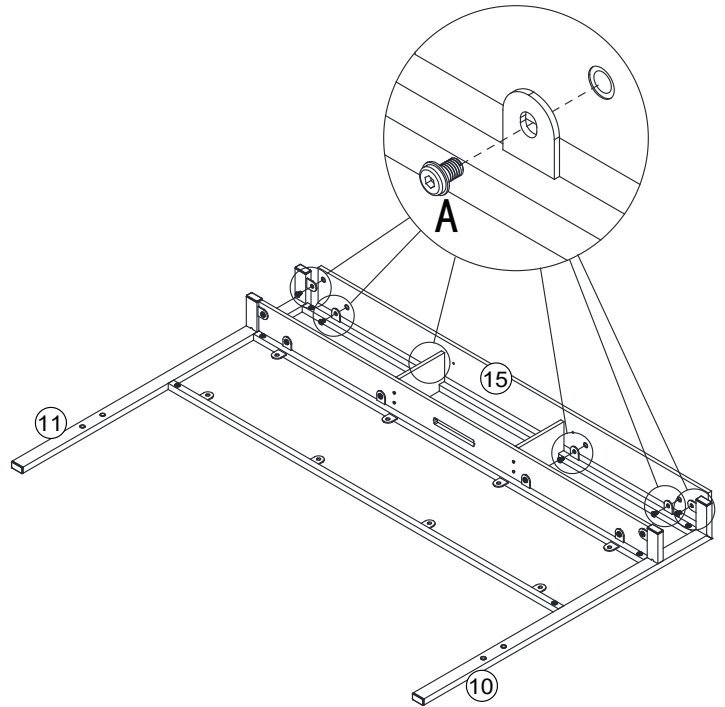
3

Pull component 12 outward and then insert Component 17.



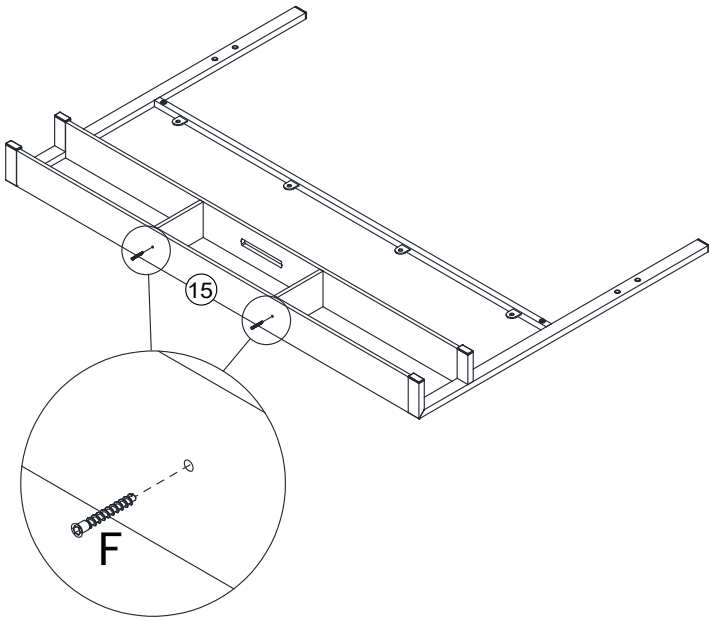
A		6pcs
M8x12		

4



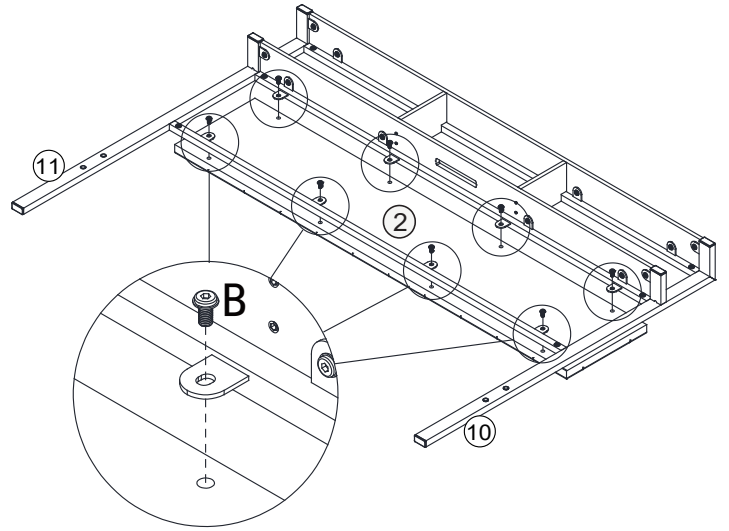
A		6pcs
M8x12		

5



F		2pcs
	M5x40	

6

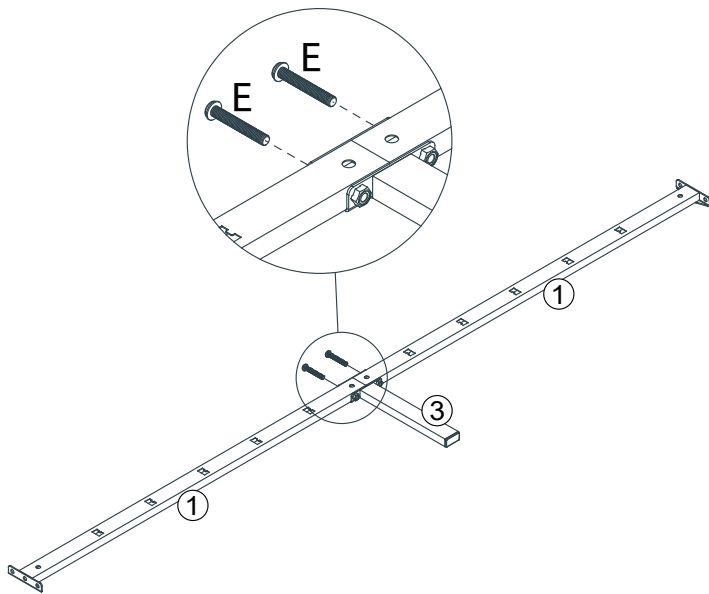



 Fully tighten all the screws.

B		8pcs	white zinc
	M8x16		


7

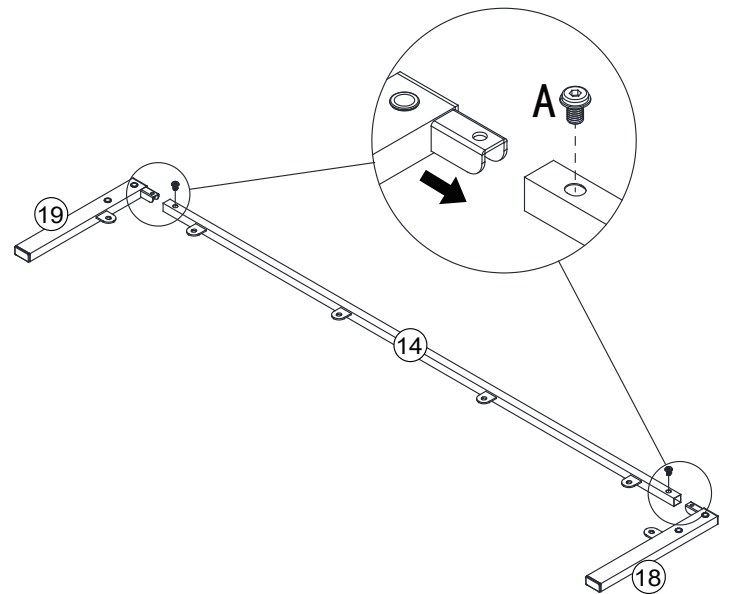
x2



E		4pcs
	M8x55	

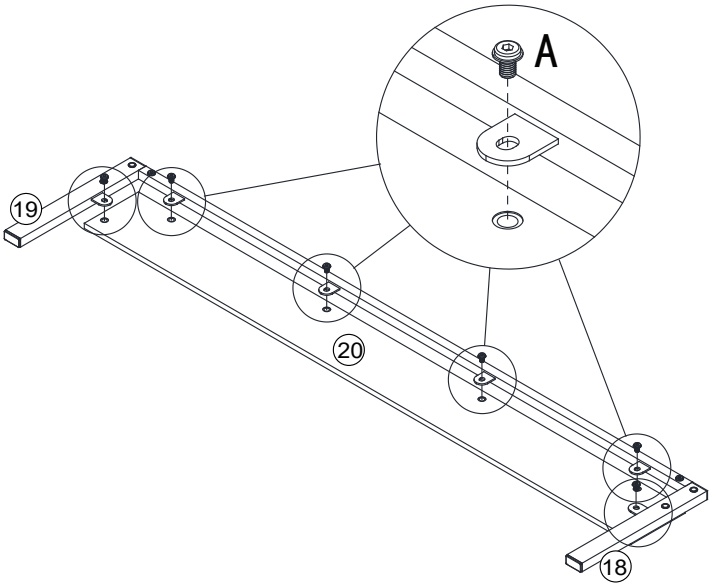
8

 Do not fully tighten the screws yet.



A		2pcs
	M8x12	

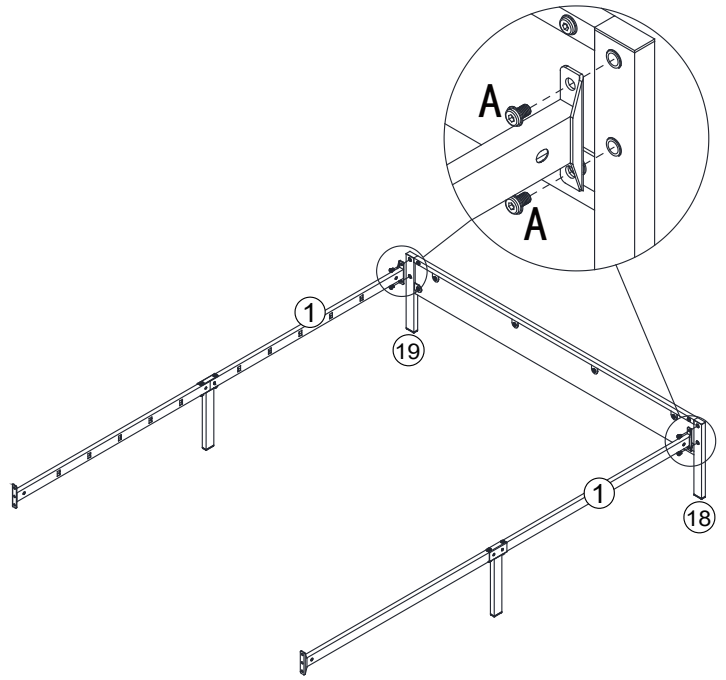
9



! Fully tighten all the screws.

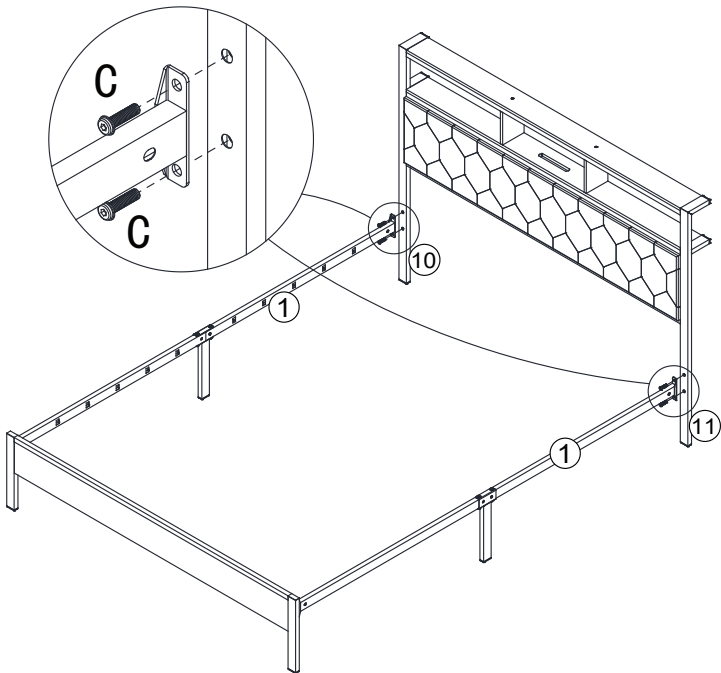
A		6pcs
M8x12		


10



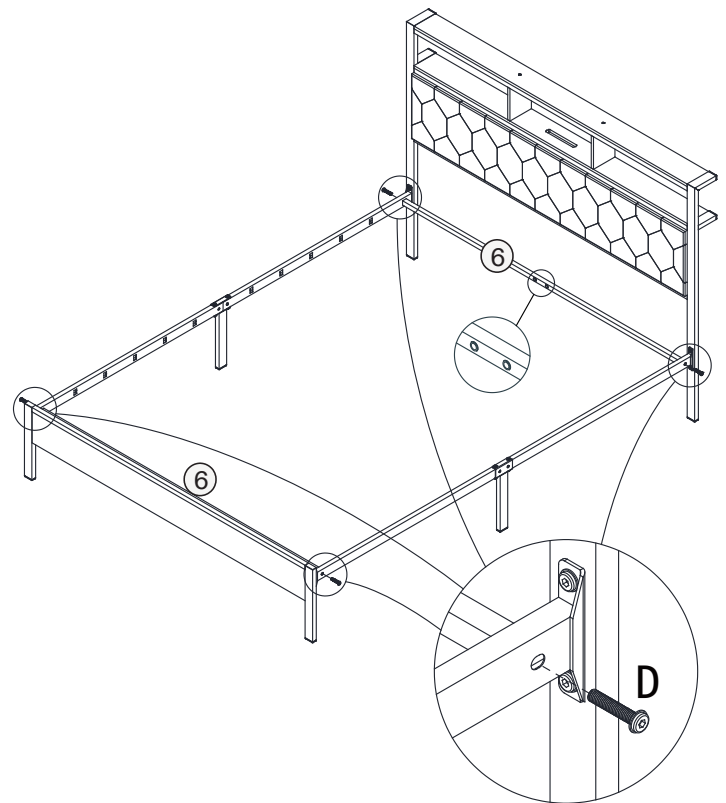
A		4pcs
M8x12		

11



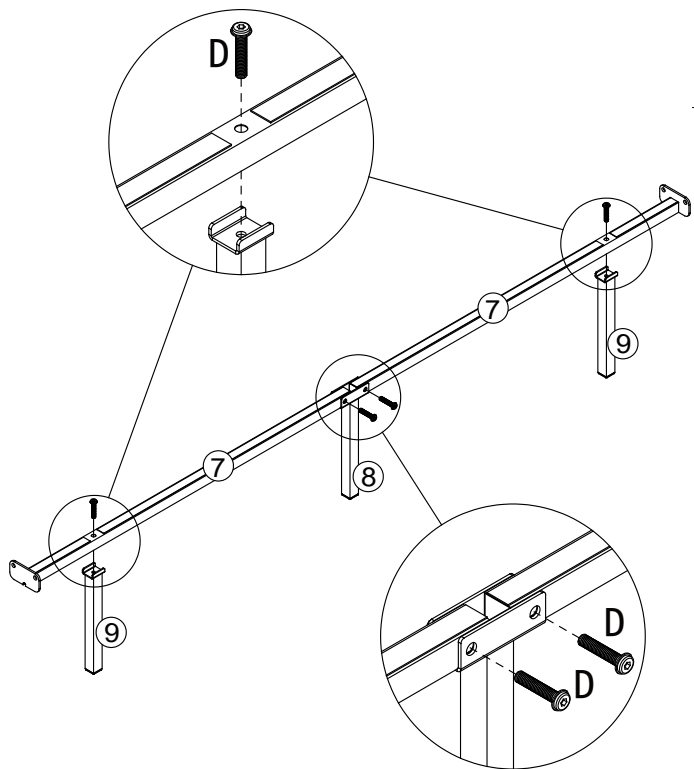
C		4pcs
M8x30		

12




D		4pcs
M8x40		

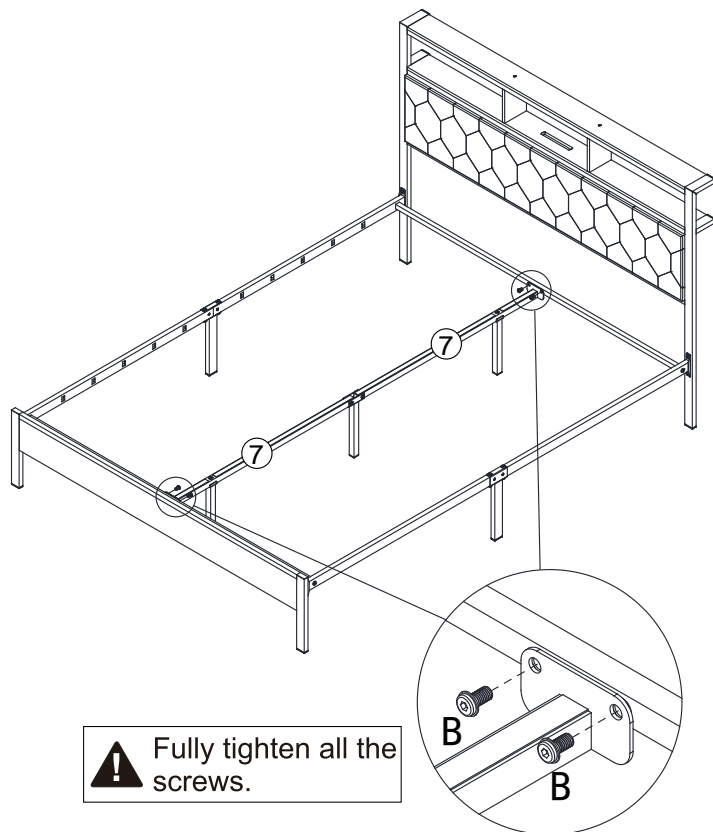
13




! Do not fully tighten the screws yet.

D		4pcs
M8x40		

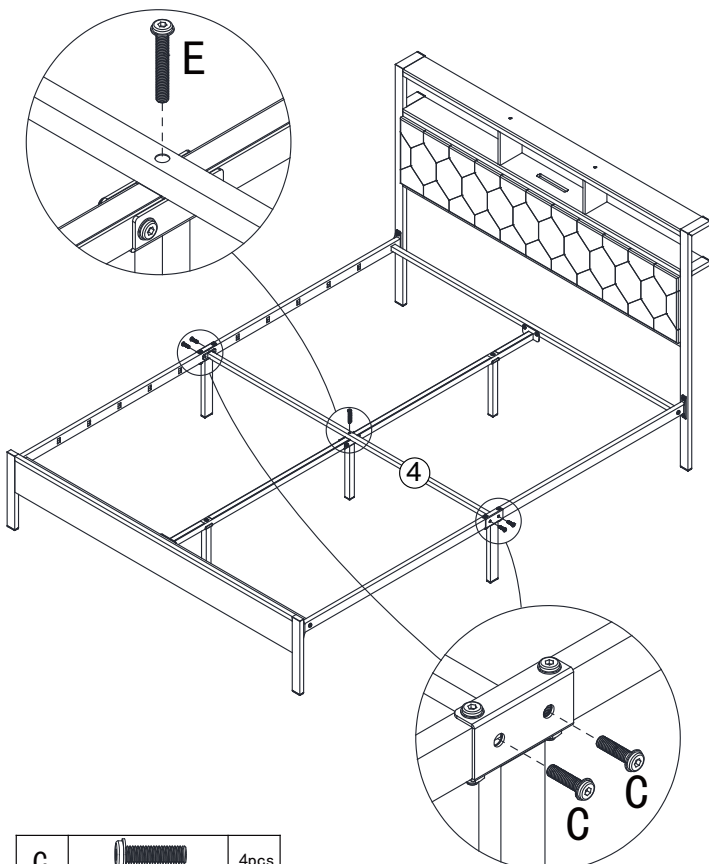
14





! Fully tighten all the screws.

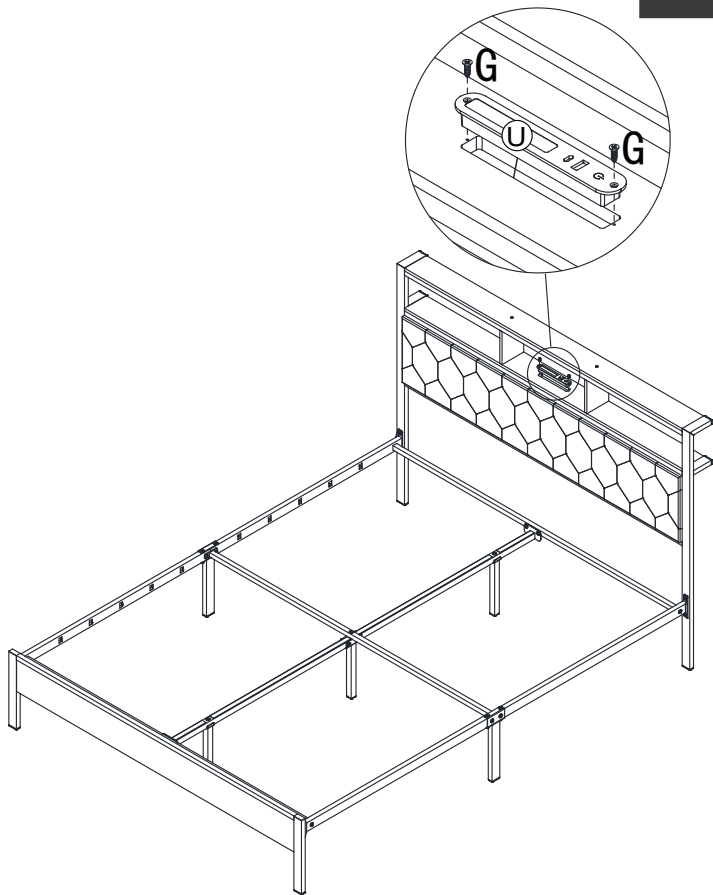
B		4pcs	white zinc
M8x16			

15

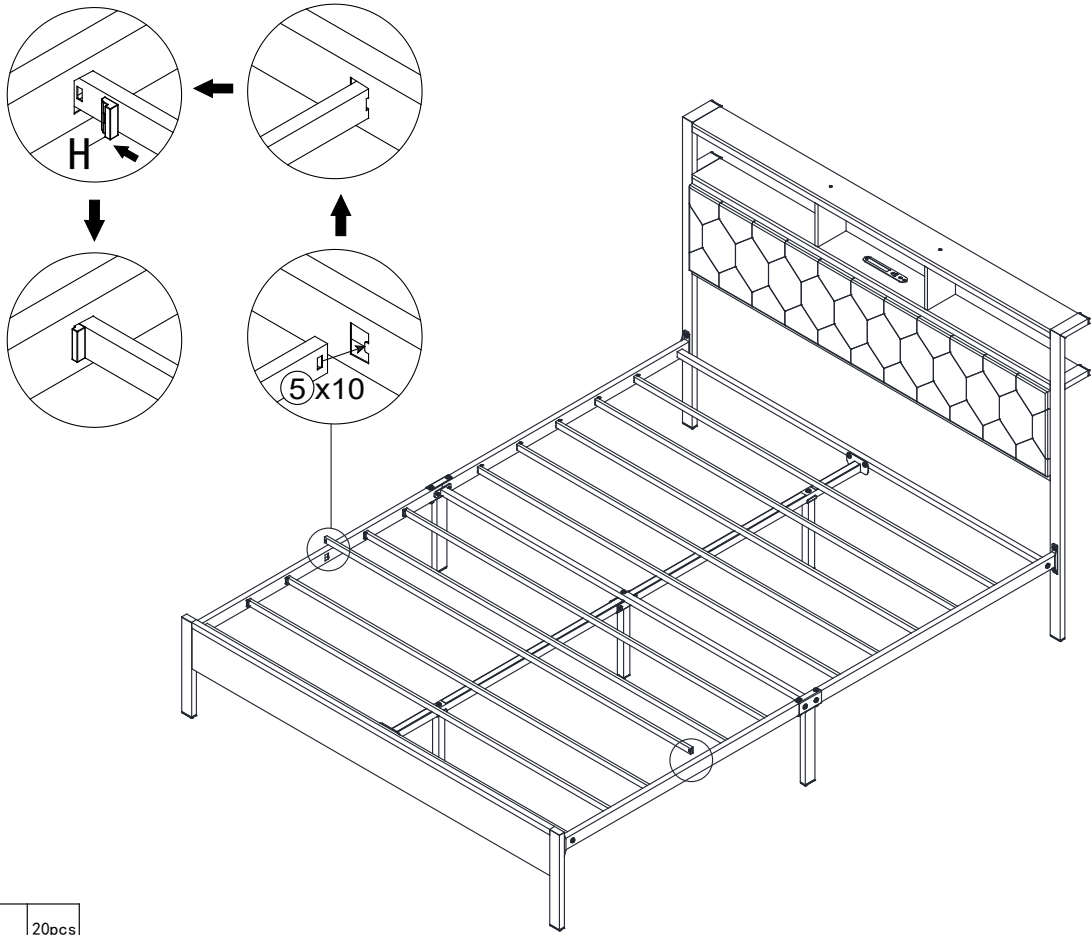


C		4pcs
M8x30		
E		1pc
M8x55		

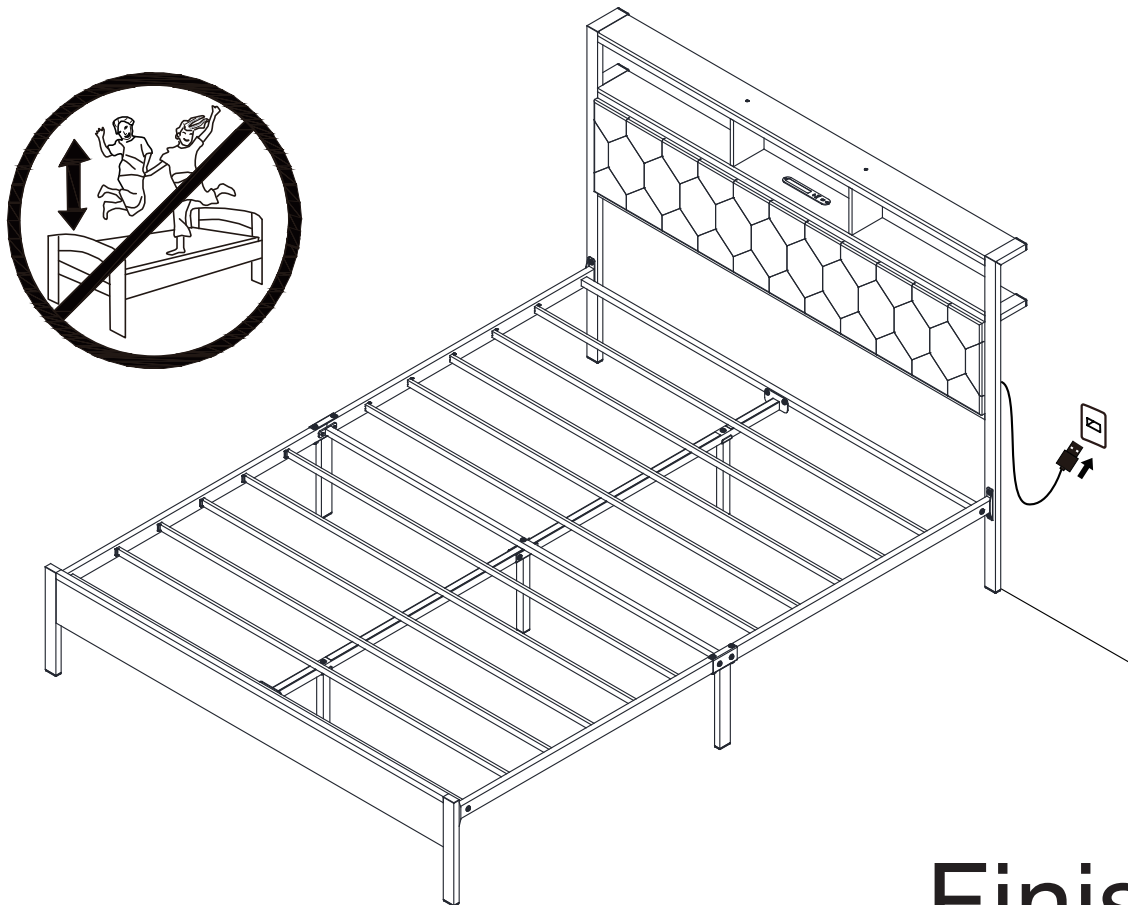
16



G		2pcs
ST4x12		



H 20pcs



Finish