

Assembly instructions

HEADBOARD




Caution: Please read instructions thoroughly before unpacking assembly parts. Sharp, exposed staple tips can cause injury, therefore, for your protection, please remove any exposed staples used in packing.

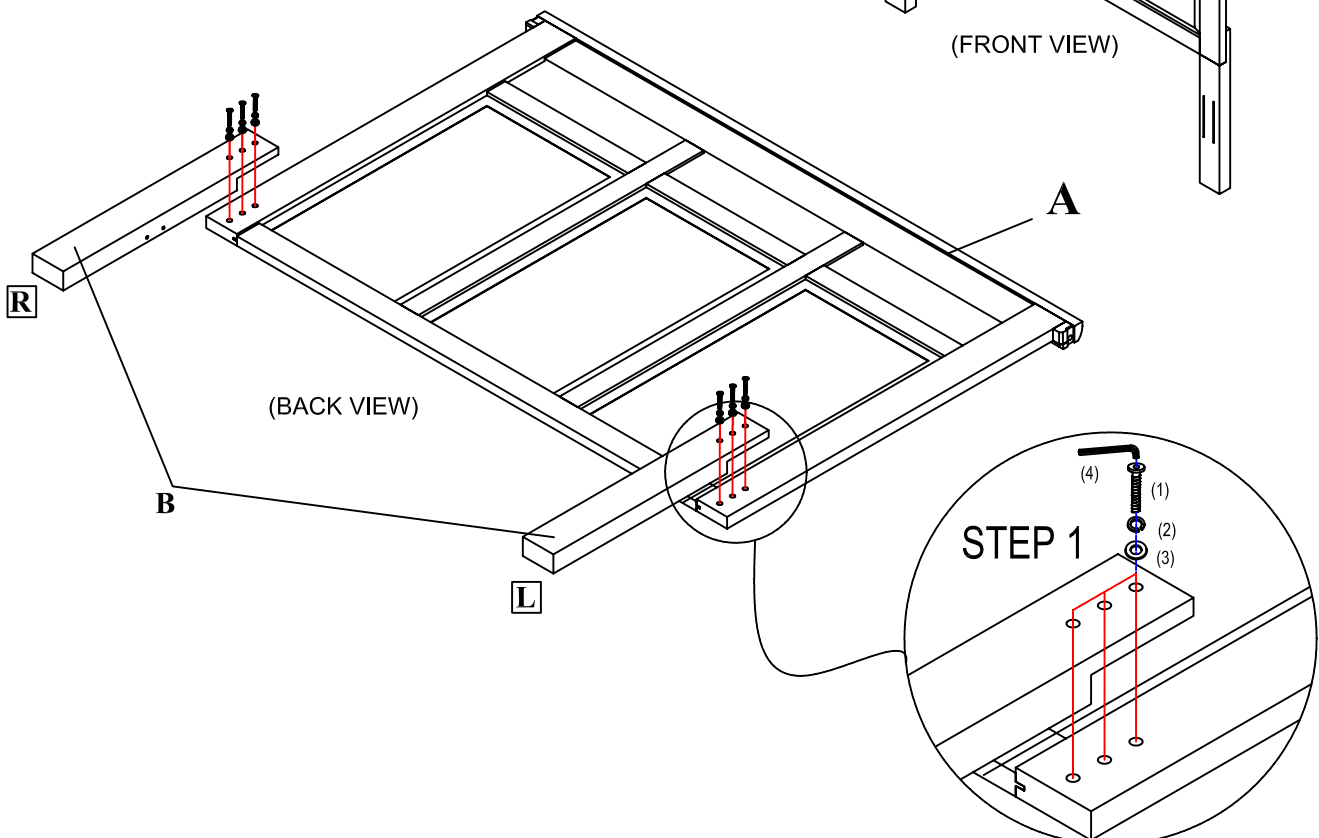
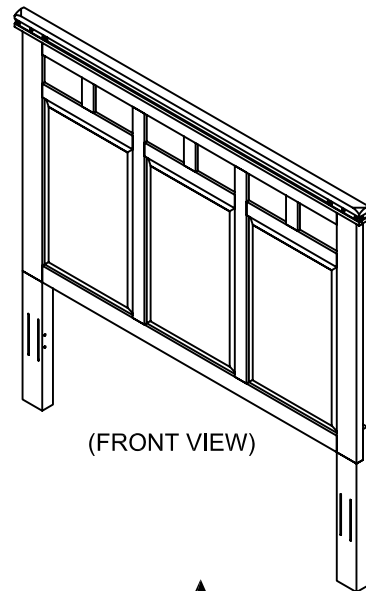
Please keep all hardware parts out of the reach of children.

1. We recommend that you should assemble this product with the assistance of another person; this will make assembly easier, and will help to eliminate damage to the product or injury to persons during assembly.
2. Be sure to check all packing materials carefully for small parts that may have come loose inside the carton during shipment.
3. Please do not over tighten screws or bolts.
4. Please put all parts on a non-abrasive floor before assembly, and follow the assembly steps to assemble your newly purchased product correctly and efficiently.

Note : Bunkie board must be used to replace box spring

No.	Parts List	
(A)	Headboard Panel	1 pcs
(B)	Headboard Legs	2 pcs

No	PARTS LIST			
1		Long JCBC Bolt	∅5/16" x L44mm	6 pcs
2		Spring Washer	5/16" (Φ 12)*2mm	6 pcs
3		Flat Washer	5/16" (Φ 19)*2mm	6 pcs
4		Allen Key	4*59mm	1 pcs



Assembly instructions

HEADBOARD FOOTBOARD

Caution: Please read instructions thoroughly before unpacking assembly parts. Sharp, exposed staple tips can cause injury, therefore, for your protection, please remove any exposed staples used in packing.

Please keep all hardware parts out of the reach of children.

1. We recommend that you should assemble this product with the assistance of another person; this will make assembly easier, and will help to eliminate damage to the product or injury to persons during assembly.
2. Be sure to check all packing materials carefully for small parts that may have come loose inside the carton during shipment.
3. Please do not over tighten screws or bolts.
4. Please put all parts on a non-abrasive floor before assembly, and follow the assembly steps to assemble your newly purchased product correctly and efficiently.

Note : Bunkie board must be used to replace box spring

Part List	Headboard (A)	Footboard (B)	Side Rail (C)	Slats (D)	Slat Support (E)	Slat Support Leg (F)
King	1	1	2	9	2	6
C.king	1	1	2	9	2	6

NO.	Hardware List	King	C.King
1	 (FRONT VIEW) #8*25mm Screw	44	44

