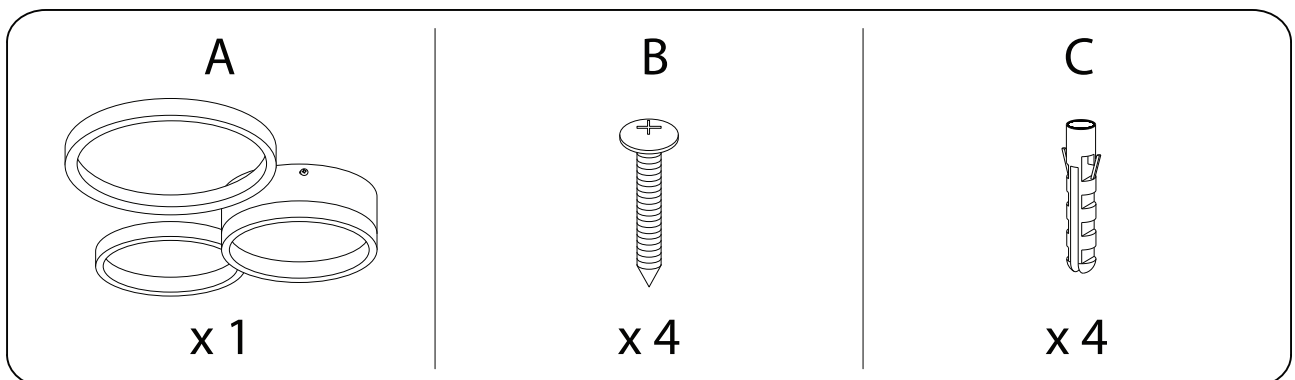
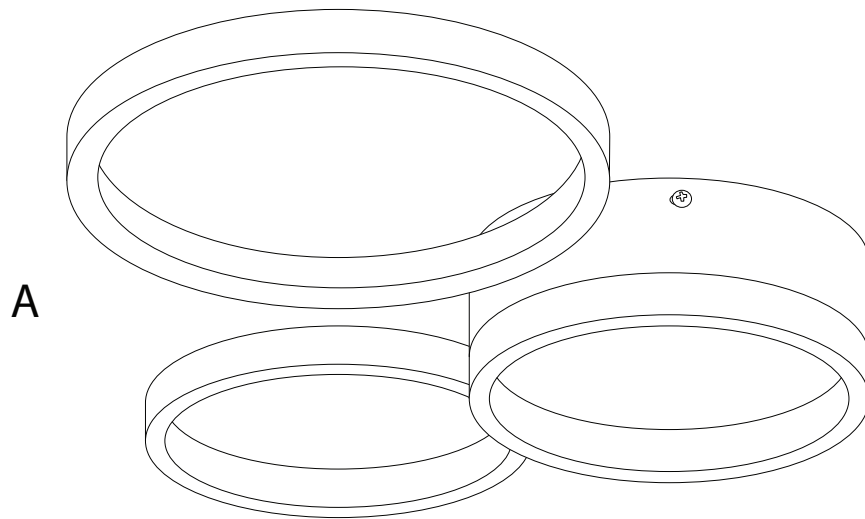
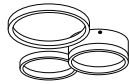

		10'
		1

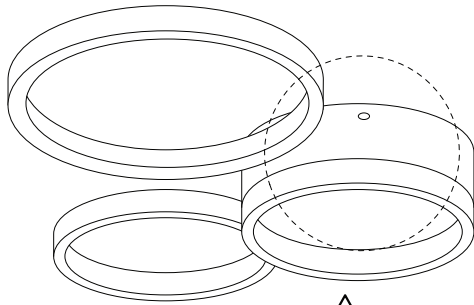


1

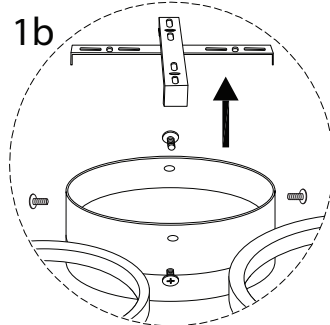
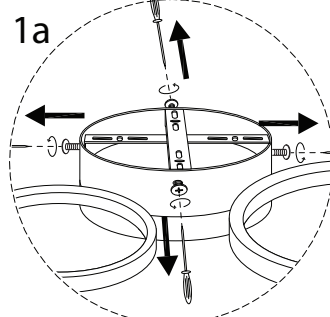
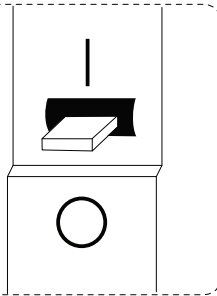
A



x 1

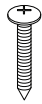


OFF



2

B



x 4

C



x 4

