

Description : ANTOINETTE SWIVEL BAR CHAIR

Product size : 23.5" x 24.5" x 48.5"H

Your furniture purchase is an investment. Here are a few tips to maximize the lifetime of your furniture with a minimum amount of effort. Properly caring for your furniture can help ensure that it looks great year after year.

Wood Furniture Maintenance:

- Always dust, wipe, and clean *with* the grain of the wood.
- Dust with a soft cloth. Dust will scratch the furniture surface if not removed properly.
- Use the same type of polish consistently as interchanging oil-based and wax-based polishes will cause a build-up and result in a foggy or cloudy appearance.
- If a polished surface becomes foggy, rub it with a cloth dipped in a solution of one tablespoon vinegar to one quart of water. Rub softly with the grain until the surface is completely dry.
- Soap and water are not advisable for wood surfaces. Water can penetrate the finish and raise the grain on wood, causing damage.
- Remember to change dusting cloths frequently as dirty cloths may scratch your furniture's surface.

The Enemies of Wood:

- Moisture is wood's worst enemy. Liquid spills should be gently wiped up immediately. Coasters should be used under all beverages.
- Do not allow rubber or vinyl materials to lie on the furniture. Chemicals in rubber may leave a stain. Put a strip of felt or leather under accessories that have rubber or vinyl.
- Heat creates a chemical change in the furniture's finish, which results in a white spot. Use protective pads under hot dishes, appliances, etc.
- Sunlight's ultraviolet rays can damage the finish of furniture. Do not place furniture directly against a heater or radiator and do not place in the path of hot streams of air from central heating. This will cause extreme localized drying of the wood.

High Gloss Resin Table Maintenance:

- Resin tabletops have approximately 1/8" of a resin coat on the top face of the table, which will resist ice, water, wine, liquor, food, cleaning fluids, and warm or hot liquids; however, cups, glasses, etc. containing hot liquids should not be left on the table without a coaster for protection.
- Resin tabletops will scratch just the same as any other glossy surface and basic precautions should be taken.
- For lasting shine, the resin table should be waxed with a car wax that does not contain silicon. Maintaining this wax build-up will result in a high gloss shine.
- When wiping down the table, a soft, clean rag should be used. Do not use a heavy paper.

Granite Top Maintenance:

- The surface of the granite on your table has been polished or sealed to create a generally non-porous surface. The stone has many natural characteristics including: veining, hairline cracks, and color variations - which make up the stone's beauty.
- To maintain the beauty of your granite:
- Protect surfaces from scratching, staining and etching by:
 - * Keeping them free of debris or sharp objects
 - * Wiping up spills immediately
 - * Avoiding contact with chemicals (particularly acid-based materials)
 - Clean with pH neutral products or those especially formulated for use on stone.
 - It is not recommended to use a water-based solvent for dark granite as it will remove the polish from the surface.
 - After a period of use, apply a penetrating sealer to prevent contaminants from being absorbed into the stone.
 - Remove stains with special absorbent poultices formulated for use on stone.
 - Renew the surface on polished granite (granite with a high gloss surface) by buffing with special stone polish, powder or cream.
- Do not use granite polish on granite with a matte finish, which has been honed rather than polished. (Penetrating sealer may be used on both polished and honed granite.)

Marble Top Maintenance:

- Marble may be stone, but it is porous stone and can stain easily. Treating marble surfaces the same as wood surfaces is a great rule of thumb.
- It is recommended to seal the tops on a regular basis (every 6 to 12 months). A good quality stone sealer can be purchased from any tiles/stone store or any homecare store and should be applied according to the manufacturer's recommendation.
 - When sealed properly, marble tops can be used indoors and outdoors and can withstand any weather conditions except internal freezing. Snow or freezing rain will penetrate the table and cause cracks.

Caring for the Fabric on Upholstered Furniture:


- Frequent vacuuming of the entire upholstered area will prevent dust from settling into the fibers.
- Professional cleaning is always recommended for all upholstered pieces.
- Always pre-test a small area of fabric in an inconspicuous area when cleaning before proceeding.
- Do not use cleaning products containing brightening agents.

VERY IMPORTANT !!

NEVER
USE GLASS CLEANERS
ON FINISHED SURFACE
AMMONIA WILL
CHEMICALLY ATTACK
THE FINISH.

DO NOT
WRITE
DIRECTLY
ON
SURFACE 
**PREVENT
MARKING**

DO NOT
PLACE
DIRECTLY
IN
SUNLIGHT 
**PREVENT
FADING**

DO NOT
WRITE
PLACEMENTS
WITH
RUBBER
BASES 
**PREVENT
DISCOLORING**

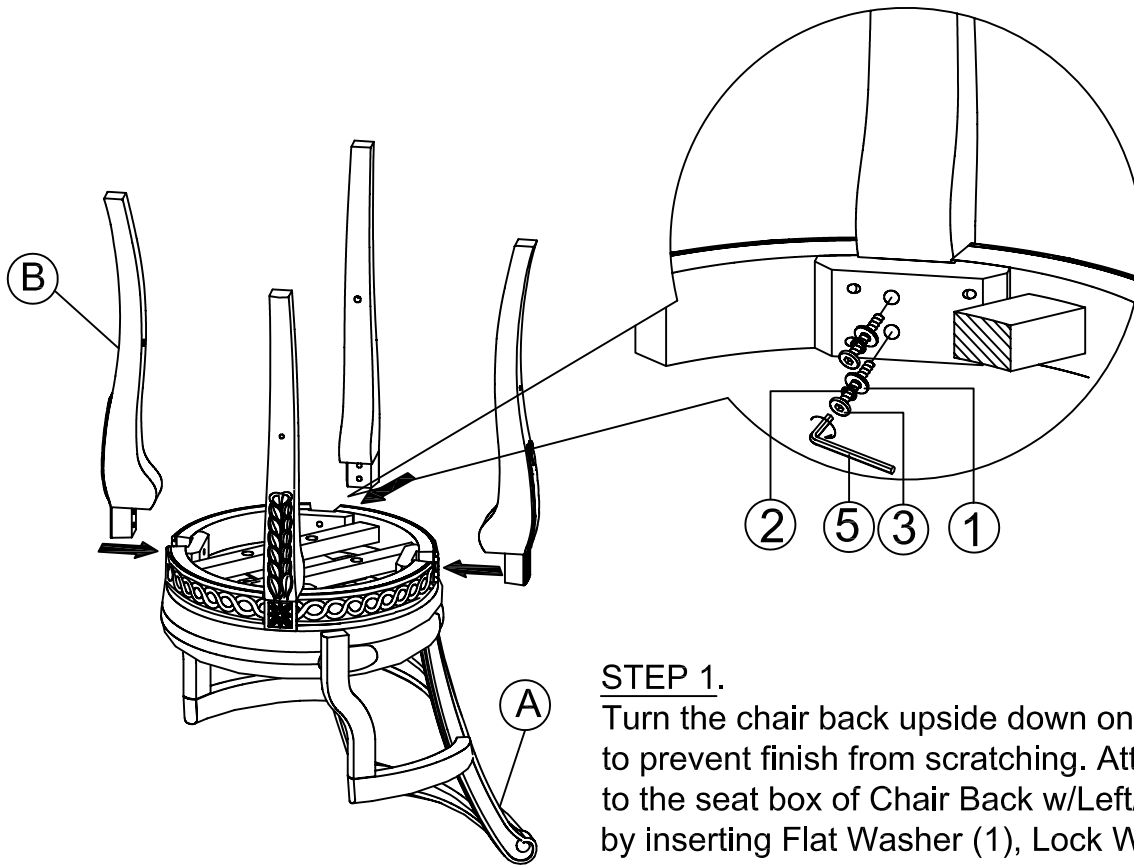
NEVER
ALLOW LIQUIDS OF ANY
KIND TO LINGER ON
SURFACE ABSORPTION
CAUSES THE WOOD TO
WARP AND THE FINISH
TO DE LAMINATE

DO NOT USE
COMMERCIAL
POLISHES
AND WAXES 
**PREVENT
YELLOWING**

DO NOT
PLACE HOT
POST, ETC
ON SURFACE 
**PREVENT
DAMAGE TO
FINISH**

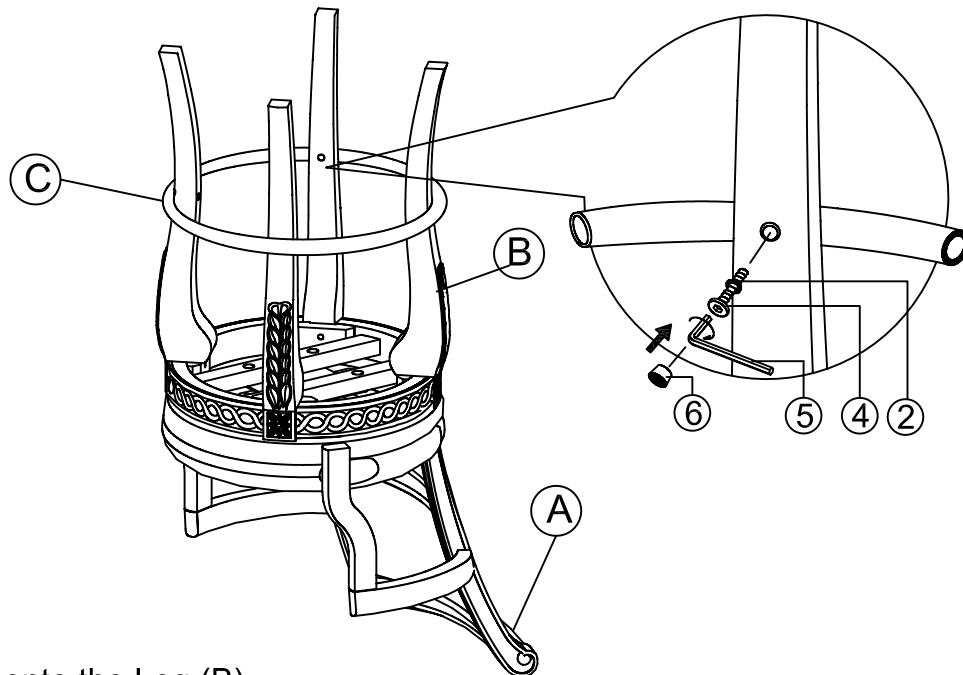
DO NOT USE
COMMERCIAL
POLISHES
AND WAXES 
**PREVENT
SPLITTING**

ASSEMBLY INSTRUCTIONS



STEP 1.

Turn the chair back upside down on the soft surface to prevent finish from scratching. Attach four Leg (B) to the seat box of Chair Back w/Left/ Right Arm (A) by inserting Flat Washer (1), Lock Washer (2), Long Bolt (3) and secure with Allen Key (5). Do not fully tighten at this stage.

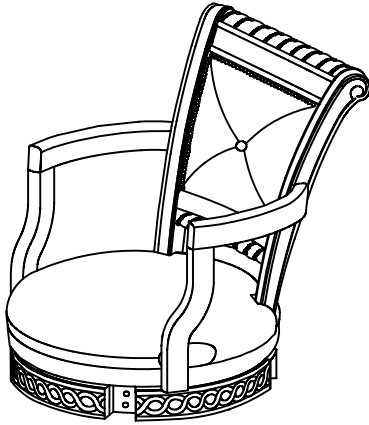


STEP 2.

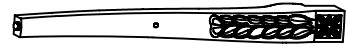
Put the Iron Hoop (C) onto the Leg (B). Insert the Lock Washer (2), Short Bolt (4) into each hole of the Legs (B) and tighten the bolt with Allen key (5). Insert the Wooden Plug (6) to the holes of the legs tightly. Place the chair to upright position, fully tighten all bolts at this stage. Assembly product is now completed.

PARTS LIST

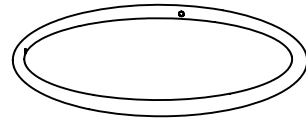
(A) CHAIR BACK w/ LEFT/ RIGHT ARM
(1PC)









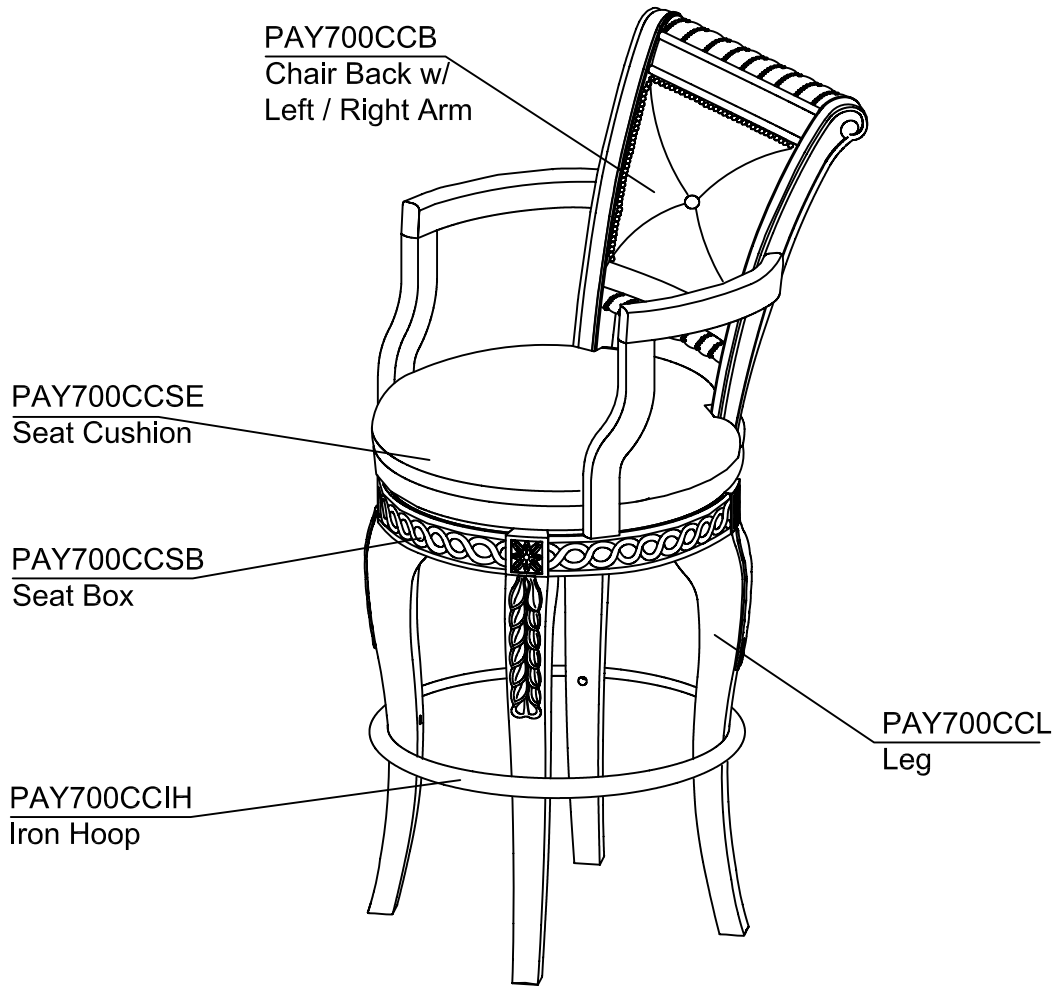
(B) LEG (4PCS)



(C) IRON HOOP
(1Pc)



NO.	Description			Q'TY
1	Flat Washer		Φ1/4" x 16 mm	8Pcs
2	Lock Washer		Φ1/4" X 10mm	12Pcs
3	Short Bolt		Φ1/4" x 2-1/4"	8Pcs
4	Small Bolt		Φ1/4 x 1-1/2"	4Pcs
5	Allen Key		4mm	1 Pc
6	Wooden Plug		Φ13 x 9mm	4Pcs



PRODUCT DETAILS

BACK	POPLAR WOOD
ARM	POPLAR WOOD
SEAT BOX	POPLAR WOOD
LEG	POPLAR WOOD
PRODUCT SIZE	23.5" x 24.5" x 48.5"H
CARTON SIZE	29.25" x 28.75" x 31.25"
NET WEIGHT	90.2LBS
GROSS WEIGHT	103.4LBS
CUFT	15.21'

FABRIC CONTENT:PU LEATHER 100%

This fabric is machine washable.
 Allow +/-3% residual shrinkage
 Do not use cleaning products containing
 brightening agents
 Do not mix fabrics of different colors
 The fabric is suitable for drapery and upholstery



MADE IN VIETNAM

Steve Silver Company Dining Chairs - Assembly Troubleshooting Guide

The most important element of correct chair assembly is to tighten the bolts as directed. Prematurely tightening the bolts can lead to numerous issues and will lengthen the assembly time. Listed below are the most common issues in chair assembly and their easy solutions.

PROBLEM: Chair is unlevel.

Cause 1:

Unlevel chairs can occur if the bolts are fully tightened before all bolts are attached. There is a variance in the alignment of this chair to allow the chair to be assembled more easily.

Solution:

Loosen each bolt in the seat box (front legs, back corner blocks and back apron) until they are finger tight. Place the chair upright on the floor. Sit in the chair for about 30 seconds. Carefully turn the chair upside down and tighten each bolt. The chair will now be level.

Cause 2:

Unlevel chairs can occur if one or more of the floor glides are missing from the bottom of the chair leg.

Solution:

Request a set of floor glides from the e-mail address below.

PROBLEM: Bolts do not fit properly.

Cause:

This issue can occur when the bolts are tightened fully before all bolts are attached. There is a variance in the alignment of the bolts to allow the chair to be assembled more easily. Tightening the bolts prematurely can cause the holes for the other bolts to become slightly misaligned, causing the remaining bolts not to fit properly.

Solution:

Make sure each bolt in the seat box (front legs, back corner blocks and back apron) is loosened until finger tight. This will allow you to realign the holes, and the bolts will now fit properly.