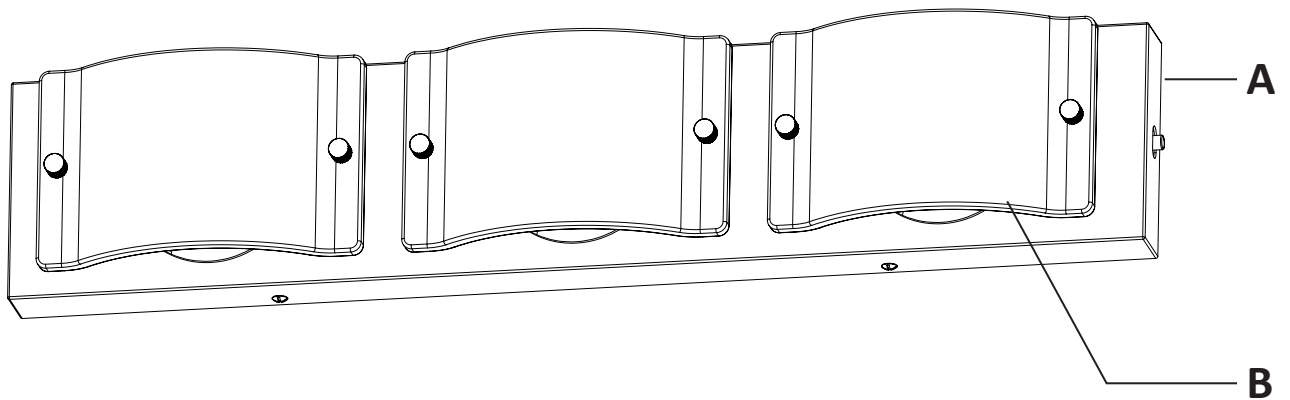
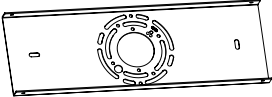
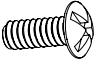
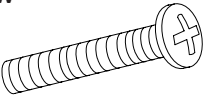
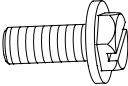
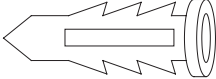
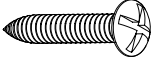




USE AND CARE MANUAL

3 LIGHT LED VANITY
Model number: 21435



Hardware (Parts are not to scale)

<p>H1 Mounting plate (Pre-assembled to fixture body (A)) 1 pc</p> 	<p>H2 Support screw (Pre-assembled to mounting plate (H1)) 2 pcs</p> 	<p>H3 Outlet box screw 2 pcs</p> 
<p>H4 Green ground screw (Pre-assembled to mounting plate (H1)) 1 pc</p> 	<p>H5 Plastic anchor 2 pcs</p> 	<p>H6 Wood screw 2 pcs</p> 
<p>H7 Wire connector 3 pcs</p> 	<p>H8 Cap nut (Pre-assembled to fixture body (A)) 6 pcs</p> 	

THIS MANUAL CONTAINS IMPORTANT SAFETY INFORMATION. PLEASE READ AND KEEP FOR FUTURE REFERENCE.

IMPORTANT SAFETY INFORMATION

- Please read and understand this entire manual before attempting to assemble, operate or install the product.
 - Turn off electricity at main fuse box (or circuit breaker box) before beginning installation by removing fuse (or switching off circuit breaker).
 - Be careful not to damage or cut the wire insulation (covering) during fixture installation. Do not permit wires to contact any surface having a sharp edge. To do so may damage or cut the wire insulation, which could cause serious injury or death from electric shock.
 - All electrical connections must be in agreement with local codes, ordinances or the national electric code (NEC). Contact your municipal building department to learn about your local codes, permits and/or inspections. If you do not have electrical wiring experience, refer to a do-it-yourself wiring handbook or have your fixture installed by a qualified licensed electrician.
 - Risk of fire – most dwellings built before 1985 have supply wire rated for 140°F/60°C. Consult a qualified electrician before installation.
 - Do not exceed the recommended wattage. Refer to the re-lamping label on the light socket for maximum wattage.
 - Do not replace a bulb when electrical outlet switch is turned to the “ON” position.
 - Do not immerse your lamp in water; doing so will damage the wire.
 - Keep materials that burn easily away from lighted bulbs.
-

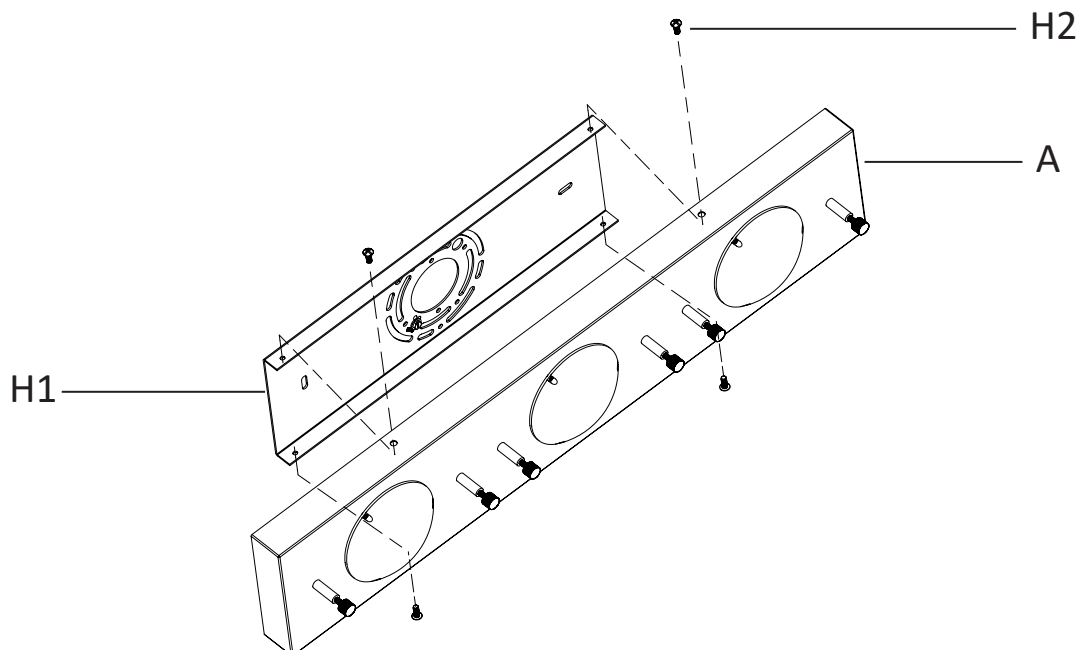
PREPARATION

- Before beginning assembly, installation or operation of product, make sure all parts are present. Compare parts with package contents list and diagram on previous page. If any part is missing or damaged, do not attempt to assemble, install or operate the product. Contact customer service for replacement parts.
 - Tools required for assembly (not included): flathead screwdriver, phillips screwdriver, pliers, electrical tape, wire cutters, safety glasses, ladder, wire stripper.
-

INSTALLATION

1 Preparing the mounting plate

- Unscrew the four support screws (H2) from the mounting plate (H1). Remove the mounting plate (H1) from the fixture body (A), and keep the mounting plate (H1) and the four support screws (H2) for later use.

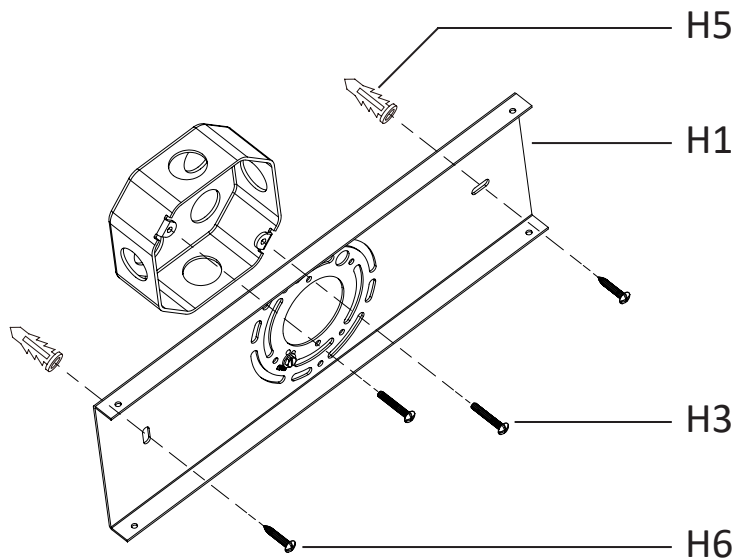


INSTALLATION (continued)

2 Installing the mounting plate

- Place the flat side of the bracket plate (H1) over the outlet box (not provided), secure the bracket plate (H1) on the outlet box with two outlet box screws (H2) (Do not lock too tight) and adjust the bracket plate (H1) to the desired location, and then make the location on the two long holes with a pencil (not provided). Remove the bracket plate (H1) from the wall.
- Drill a small hole on each mark and push the plastic anchors (H5) into the wall using a hammer.
- Fasten the bracket plate (H1) onto the outlet box using 2 outlet box screws (H2). Place the 2 wood screws (H6) in the long holes located on the bracket plate (H1) and tighten until fully secured.

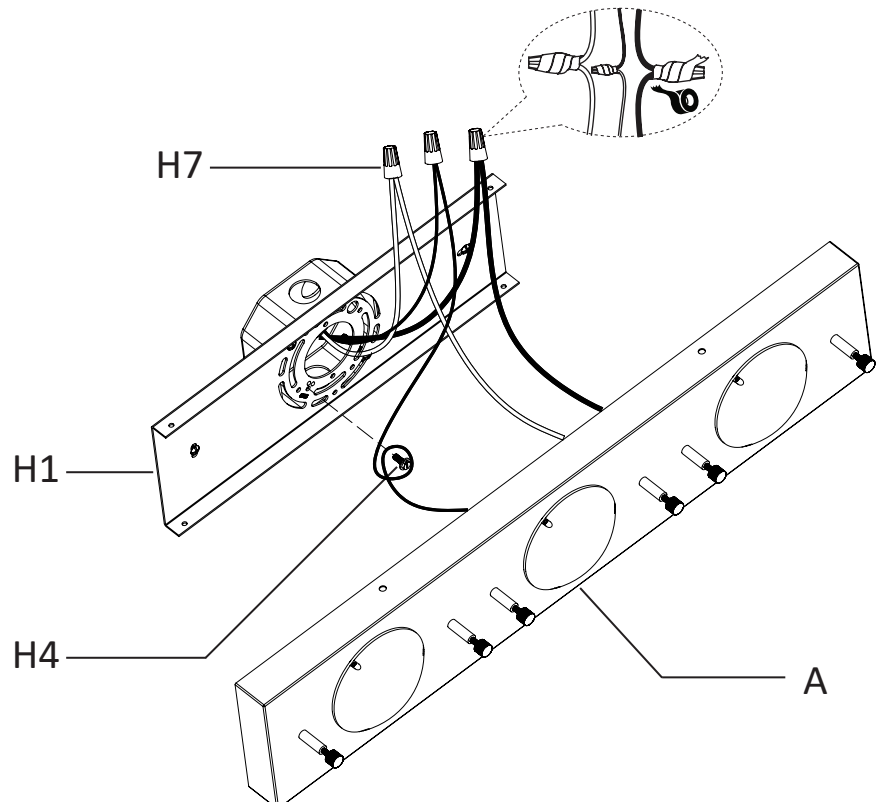
NOTE: If your wall is wood, do not drill holes. Use the two wood screws (H6) and two outlet box screws (H2) to secure the bracket plate (H1).



3 Making the electrical connections

- Strip 3/4 in. of insulation from the wire ends.
- Connect the black wire from the fixture to the black wire from the outlet box, then connect the white wire from the fixture to the white wire from the outlet box.
- Connect the bare copper ground wire to the ground wire from the outlet box. The bare copper ground wire from the fixture must loop one turn under the head of the green ground screw (H4) on the mounting plate (H1) before it is connected to the ground conductor of the supply circuit.
- Cover the wires with wire connectors (H7). Tape the wire connectors (H7) and wires together, and carefully position all wires inside the outlet box.

Note: Do not let go of the fixture body (A) before the fixture body (A) is installed on the mounting plate (H1).

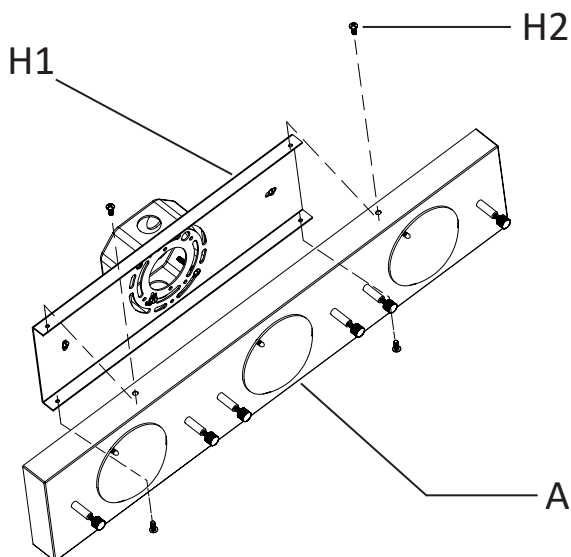


INSTALLATION (continued)

4 Installing the fixture body to the outlet box

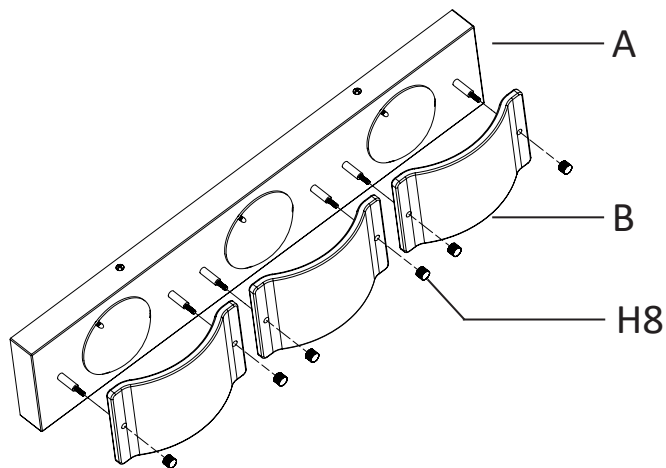
- Place the canopy of the fixture body (A) against the outlet box, align the four holes of the mounting plate (H1) and the canopy of the fixture body (A), then tighten with the four support screws (H2).

Note: Do not let go of the fixture body (A) before the fixture body (A) is installed on the mounting plate (H1).



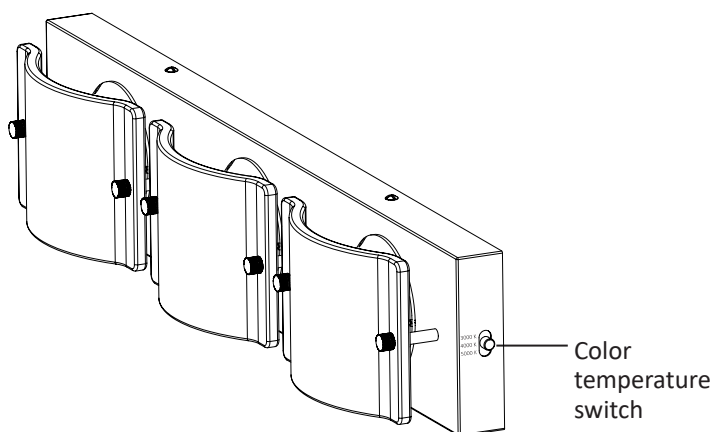
5 Assembling the glass plate

- Unscrew the cap nuts (H8) from the fixture body (A).
- Place the glass plate (B) over the fixture body (A), ensure the heads of the screws come through the holes of the glass plate (B) and then secure with the cap nuts (H8).
- Repeat this step for other glass plates (B).



6 Adjusting the color temperature

- The color temperature switch on the side of the fixture body (A). Slide the color temperature switch to adjust the color temperature.
- There are three color temperatures.
 - 3000K --- Warm white
 - 4000K --- Bright white
 - 5000K --- Daylight



CLEANING

- Do not use any cleaners with chemicals, solvents, or harsh abrasives. Use only a dry, soft cloth to dust or wipe carefully.
- To clean the fixture, disconnect the power by turning off the circuit breaker or by removing the fuse at the fuse box. Use a dry or slightly dampened, clean cloth to wipe the exterior surface of the fixture.

TROUBLESHOOTING

- The light does not come on at all:
 - Check whether the bulbs were burned out.
 - Make sure the wall switch is on.
 - Make sure the wiring is correct.
 - Make sure the circuit breaker is set in the "ON" position.
- Fuse blows or circuit trips when light is turned on.
 - Check for crossed wires, ensure wiring is correct.