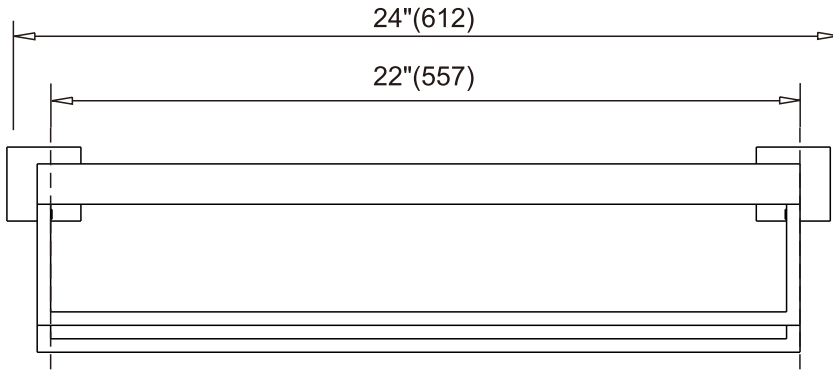
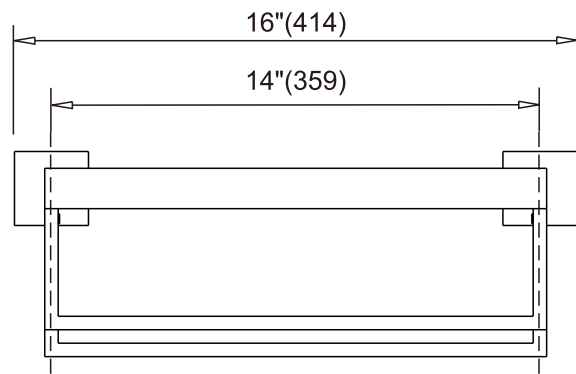


Towel rack

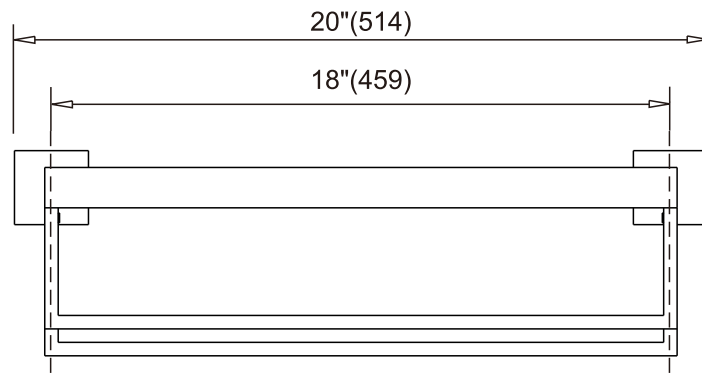
4050101-24



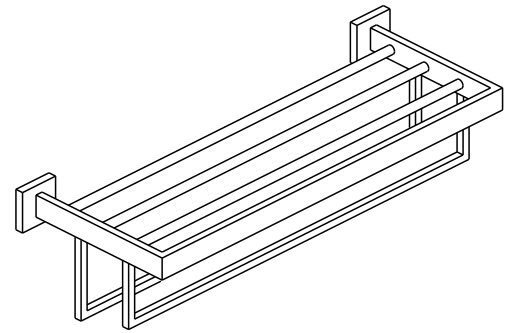
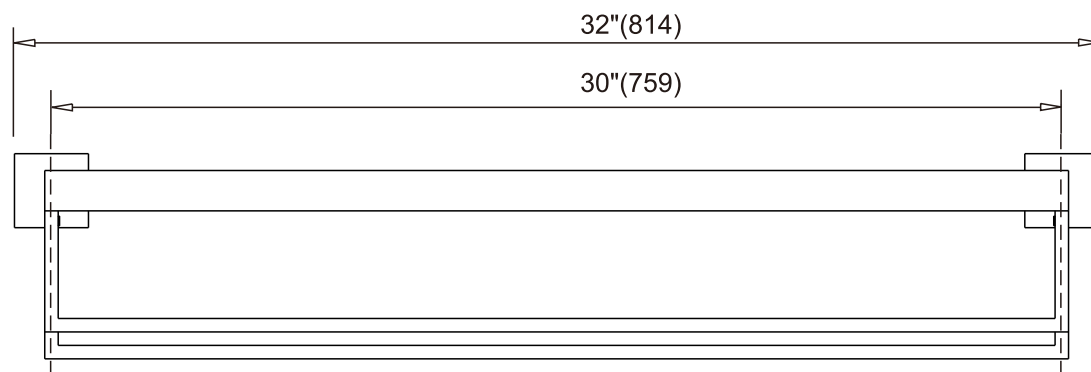
4050101-16

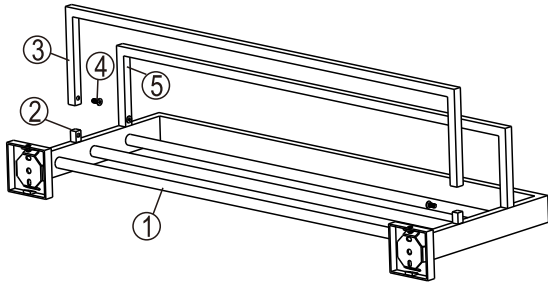


4050101-20

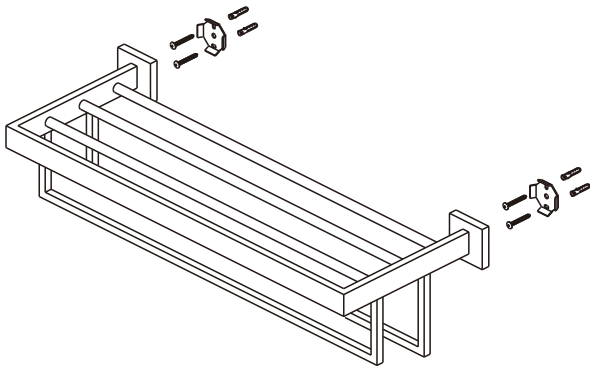


4050101-32

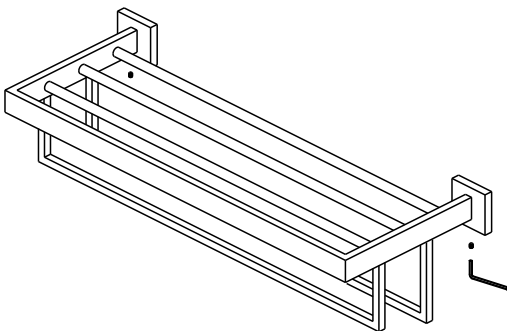




1. Insert the towel bar (3) and(5) into the towel rack (2)
2. Use a screw driver to tighten the screw (4).
3. Insure the towel bars are firmly installed on the rack.



Select a location on the vertical wall to install the bracket.
 Mark anchor mounting hole locations on wall as shown , ensure two screw holes are horizontal.
 Drill holes in the finished wall as required.
 Press the anchors (1) into the holes.
 secure the bracket (2) with the self-tapping screws (3).
 Make sure the bulge on bracket upwards



Slide the extension of the towel bar kit onto the bracket .
 Orient the screw hole of the extension downwards.
 Tighten the screw with the hex wrench to secure the towel bar kit .

NOTE:

These products should be located and mounted to a wall.
 While it is possible to mount them to any surface, a stud or concrete mounted product will yield the best results.

DANGER:(Risk of personal injury)

These products are not designed or intended for use as a grab bar or support bar. Do not install any of these products in any area where they are likely to be used inadvertently as a grab bar or support bar.

Cleaning Instructions:

To preserve the fine finish of this product, clean only with a soft damp cloth. Dry well. Do not use commercial or abrasive cleaners.