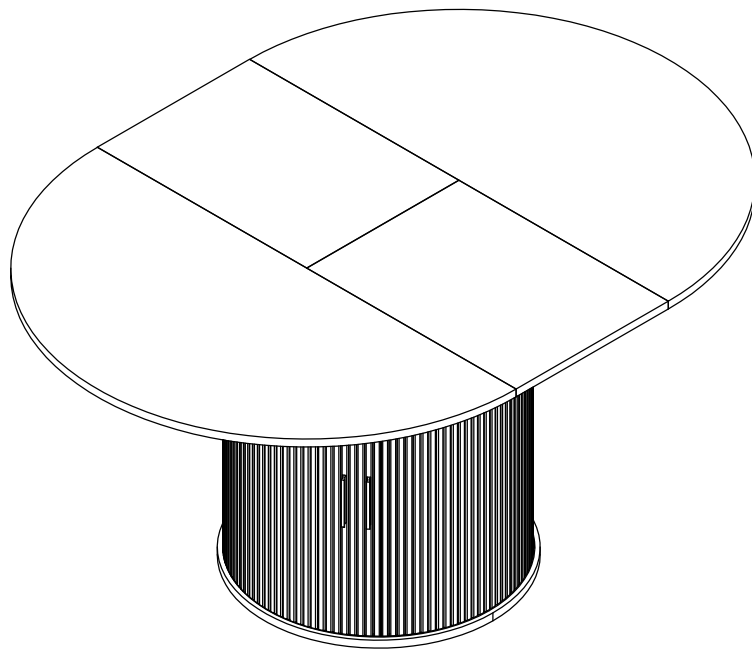


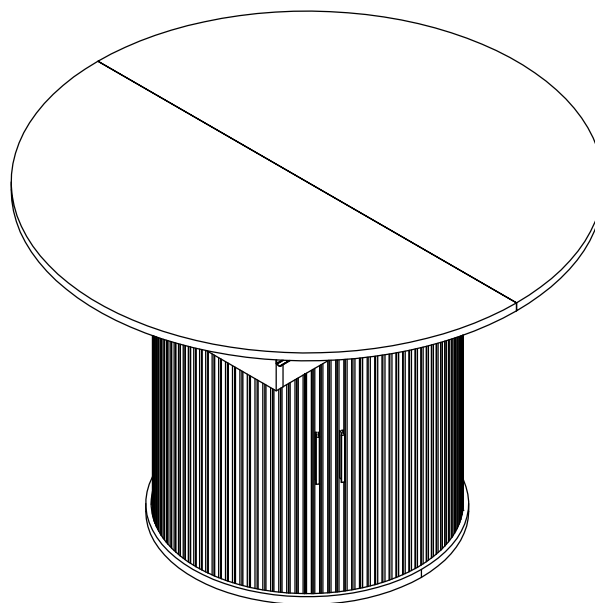
# ASSEMBLY INSTRUCTIONS

DT003 Dining Table



**style:A**

**OR**



**style:B**

***Thank you for purchasing our product!***

*Please refer and use this assembly instruction to assemble the product.*

*Contact our customer service department in case there are any missing or damage parts or hardware. Please also tell us your "Order ID", We will solve for you as soon as possible.*

***EMAIL:*** [customerservice@hkfoam.com](mailto:customerservice@hkfoam.com)

## **ASSEMBLY PREPARATION:**

1. Remove all packaging materials, staples and packing straps from the carton.
2. Refer to Parts List and Hardware List and ensure they are correct before assembly. Contact customer service for missing parts.
3. Place all wooden parts on a clean, flat and soft surface (e.g. carpet or rug) to prevent parts from getting scratched.

## **SAFETY PRECAUTION:**

1. Keep all hardware parts out of reach of children.
2. Dispose plastic packaging material immediately to avoid any risk of suffocation to children and animals..

## **TIPS FOR ASSEMBLY:**

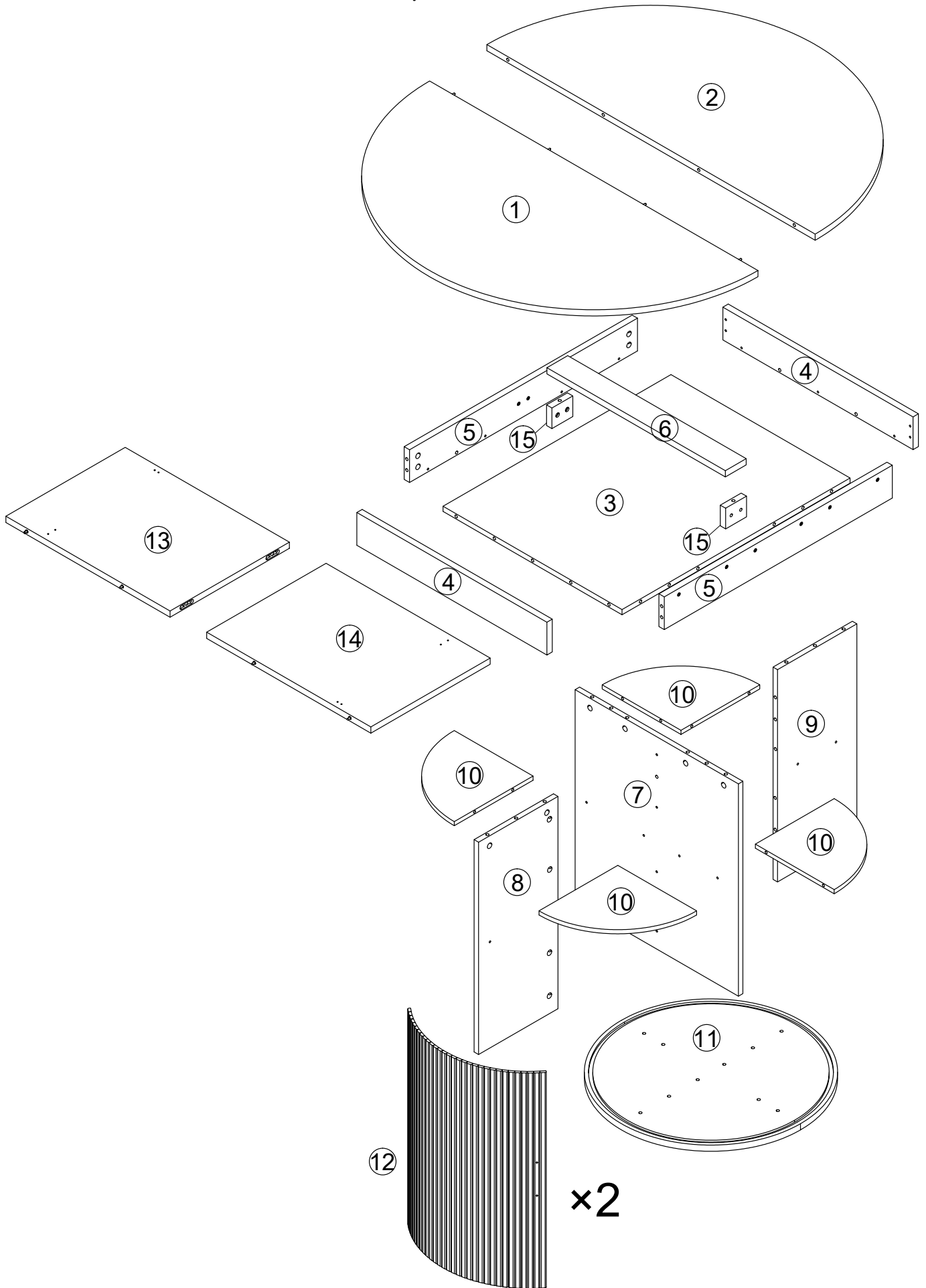
1. Allow ample room for assembly and in close proximity to where product will be placed.
2. Assemble the product on a surface that does not scratch or damage the exterior gloss and finish of the furniture.
3. Identify all of the parts, hardware and quantities required for each step.
4. During assembly, do not over-tighten any fittings as this may cause damage.
5. DO NOT USE POWER TOOLS TO ASSEMBLE THIS PRODUCT.
6. Always place the product on a flat, level surface.
7. Do not sit or stand on the partially assembled product; only use the product for which it is intended.

## **CARE AND MAINTENANCE:**

- Use a slightly damp cloth to clean the product. Do not use bleach or abrasive cleaning material.
- Check all the fittings periodically and re-tighten as necessary. Do not use the product if any of the parts is damaged or broken.
- Never allow any kind of liquid to remain on your furniture. Absorption can cause wood to warp or delaminate.
- Do not place hot items (e.g. hot drinks) directly onto the wood surface.

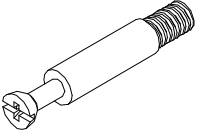


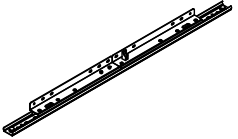
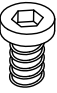

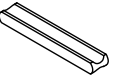

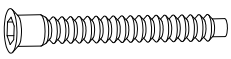

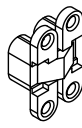
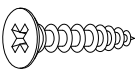
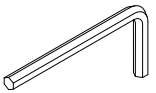
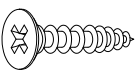

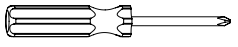
# Part List

Please check if all the piece listed bellow are received



# Hardware List

Please check if all the piece listed bellow are received

<p><b>A</b></p>  <p>CAM BOLT M6×35mm Qty: 54</p>	<p><b>B</b></p>  <p>CAM LOCK Ø15×12mm Qty: 54</p>	<p><b>C</b></p>  <p>WOOD DOWEL Ø8×30mm Qty: 22</p>	<p><b>D</b></p>  <p>SLIDING RAIL 800mm Qty: 2</p>
<p><b>E</b></p>  <p>BOLT M5×10mm Qty: 36</p>	<p><b>F</b></p>  <p>F1 F2 FASTENER Qty: 4</p>	<p><b>G</b></p>  <p>HANDLE 110mm Qty: 2</p>	<p><b>H</b></p>  <p>SCREW M4×10mm Qty: 4</p>
<p><b>J</b></p>  <p>BOLT M7×50mm Qty: 6</p>	<p><b>K</b></p>  <p>FOOT PAD Ø40 Qty: 4</p>	<p><b>L</b></p>  <p>HINGE Qty: 2</p>	<p><b>M</b></p>  <p>SCREW Ø3.5×20mm Qty: 8</p>
<p><b>N</b></p>  <p>HEX KEY M4 Qty: 1</p>	<p><b>P</b></p>  <p>SCREW Ø3.5×12mm Qty: 16</p>	<p><b>Q</b></p>  <p>BOLT M5×22mm Qty: 4</p>	<p><b>R</b></p>  <p>Qty: 1</p>

**ASSEMBLY  
REQUIREMENTS**

**3 Hours  
Assembly Time  
(Approximate)**

**2 -Person Assembly**



**Tools Required (Not Provided):**



**Power Drill**

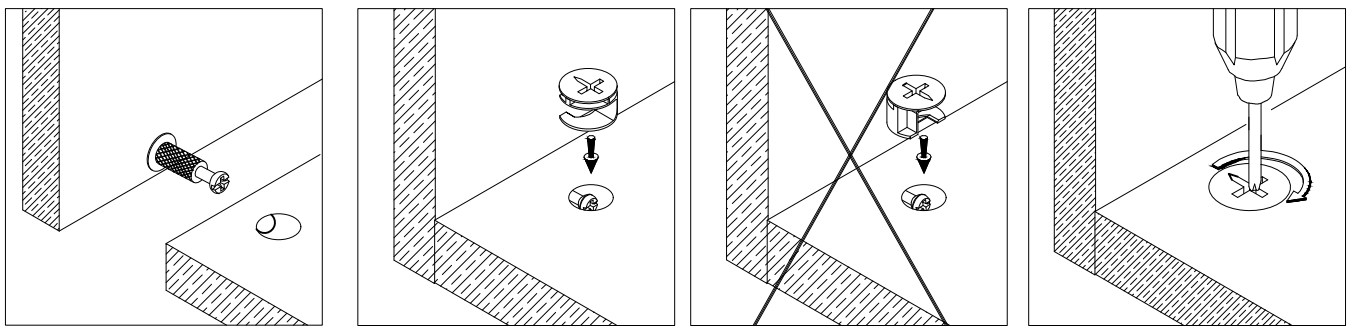
# CAM LOCK SYSTEM OPERATION

**NOTE:** When inserting the Cam Lock, make sure that the Open End of the Cam Lock faces the Cam Screw Entry. The Dowel will be inserted in the hole NEXT to the Cam Lock/Cam Screw Hole.

**NOTE:** The Cam Lock is backwards in this illustration. The Cam Screw can not connect to the Cam Lock because the Dowel is in the incorrect hole.

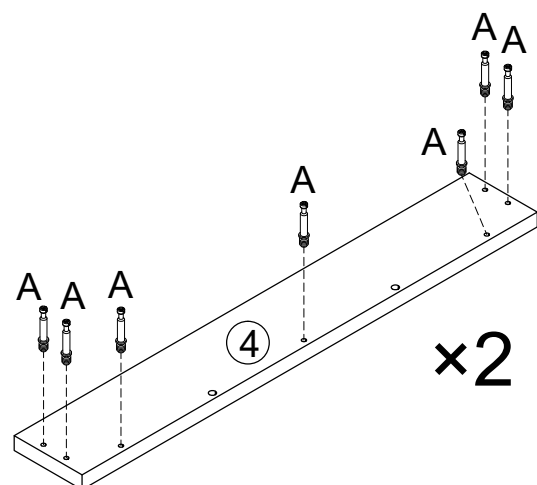
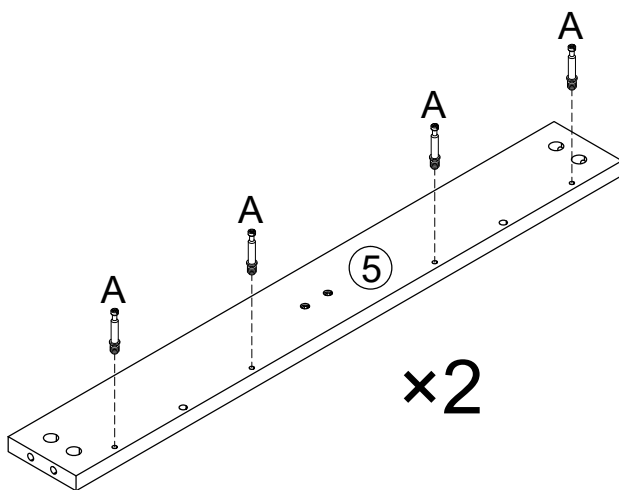
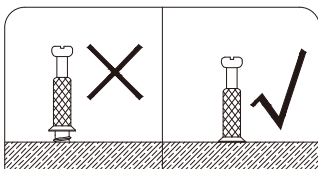
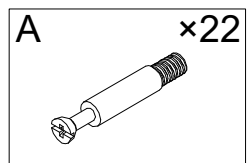
**NOTE:** To tighten, turn the Cam Lock CLOCKWISE until the arrow point AWAY from the connected Panel.

**NOTE:** DO NOT USE AN AUTOMATIC SCREWDRIVER TO TIGHTEN CAM LOCKS, DO NOT OVER-TIGHTEN.



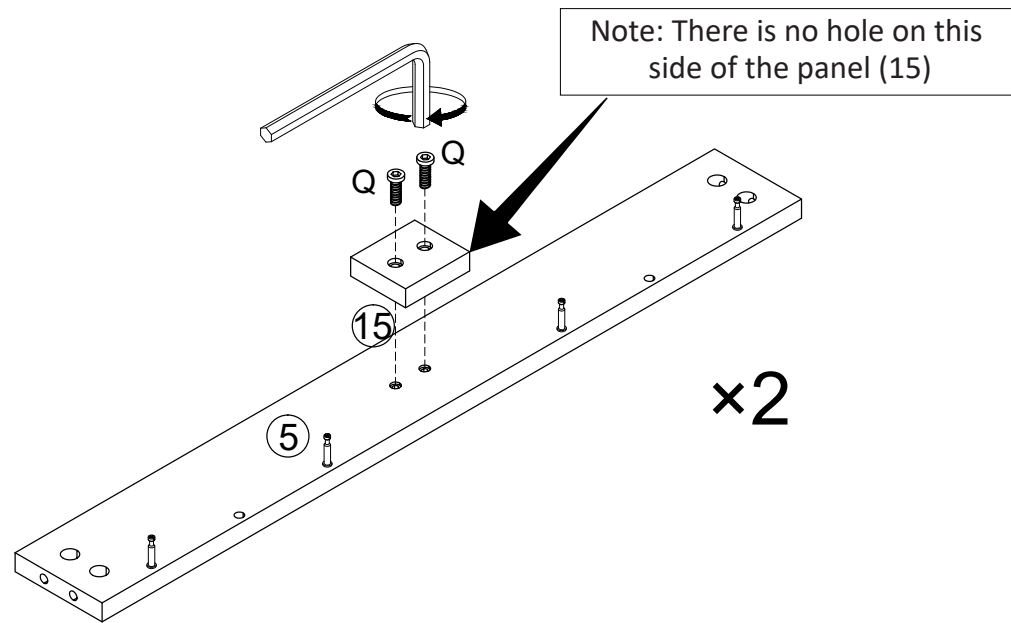
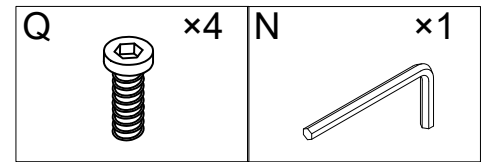
## Step 1

I. Screw (A) into the designated holes on panel (4,5).



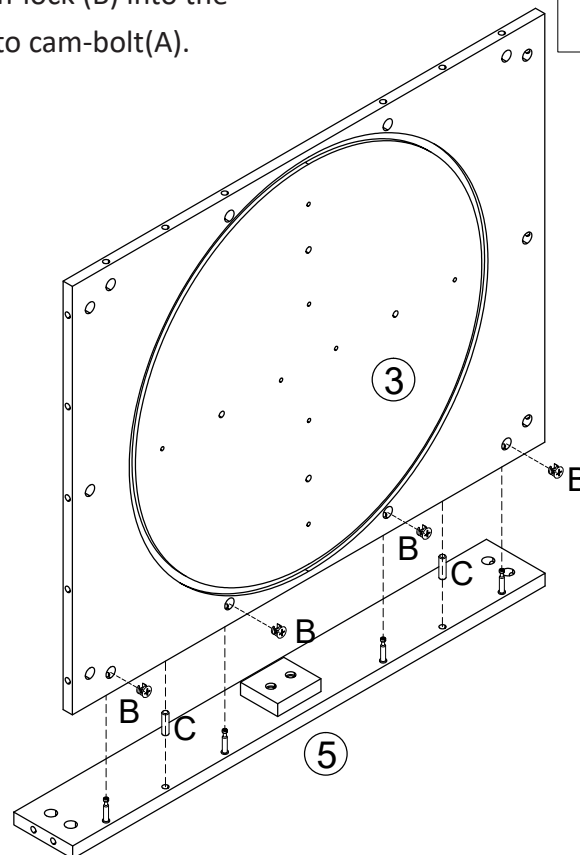
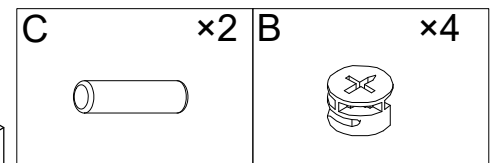
## Step 2

I. Fix the panel (15) to the panel (5) with bolt (Q).



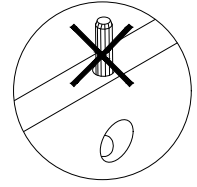
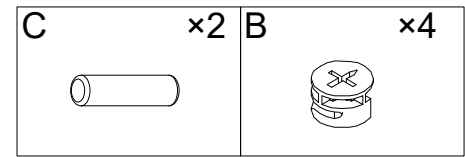
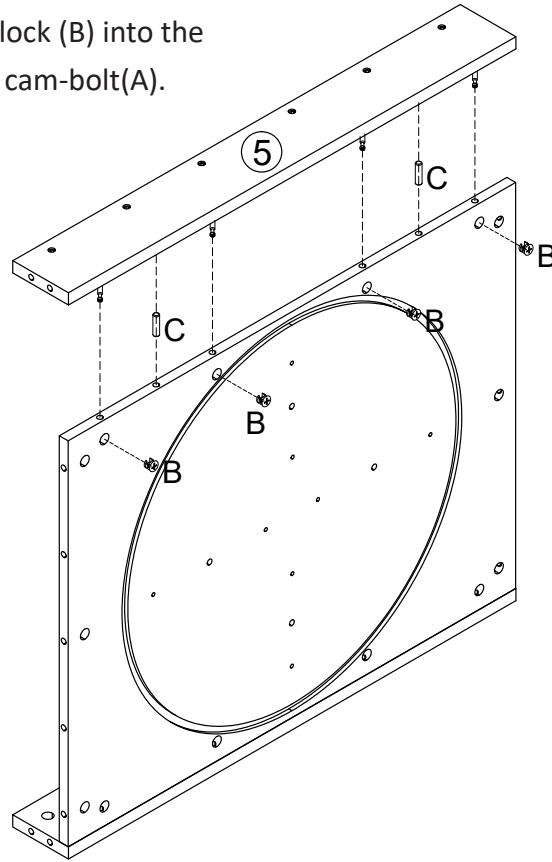
## Step 3

I. Install the wood dowel (C) onto the panel (5) as shown.  
II. Attach panel (3) to panel (5), insert cam-lock (B) into the panel (3), then turn clockwise to lock onto cam-bolt (A).



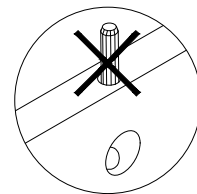
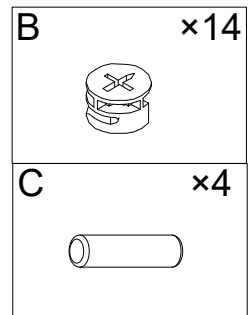
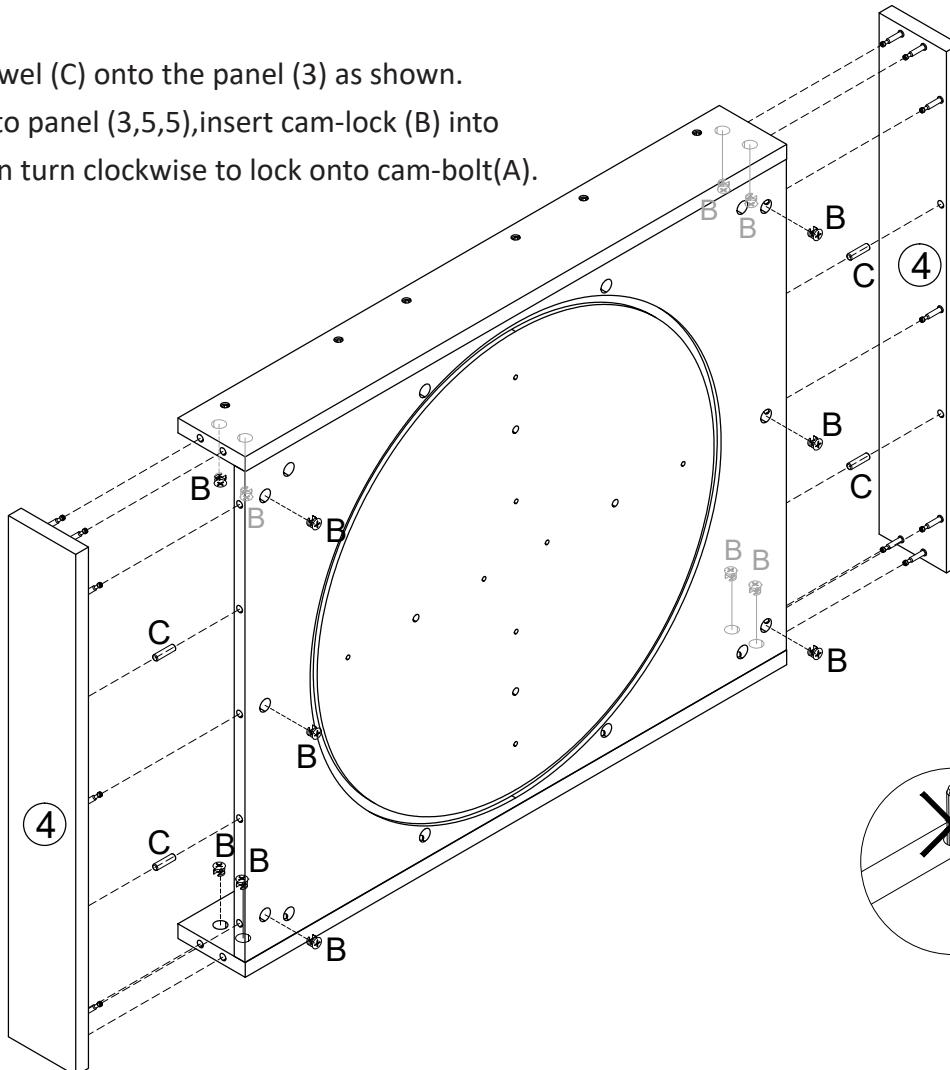
## Step 4

- I. Install the wood dowel (C) onto the panel (3) as shown.
- II. Attach panel (5) to panel (3), insert cam-lock (B) into the panel (3), then turn clockwise to lock onto cam-bolt(A).



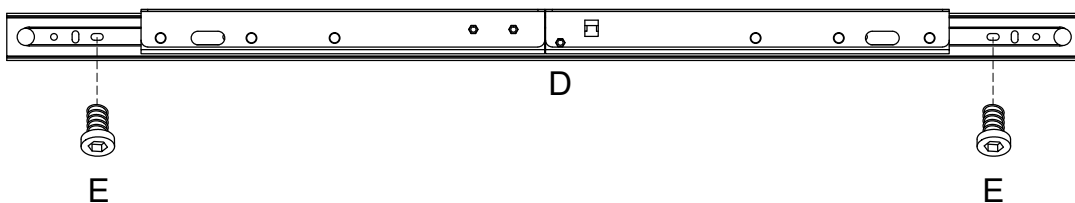
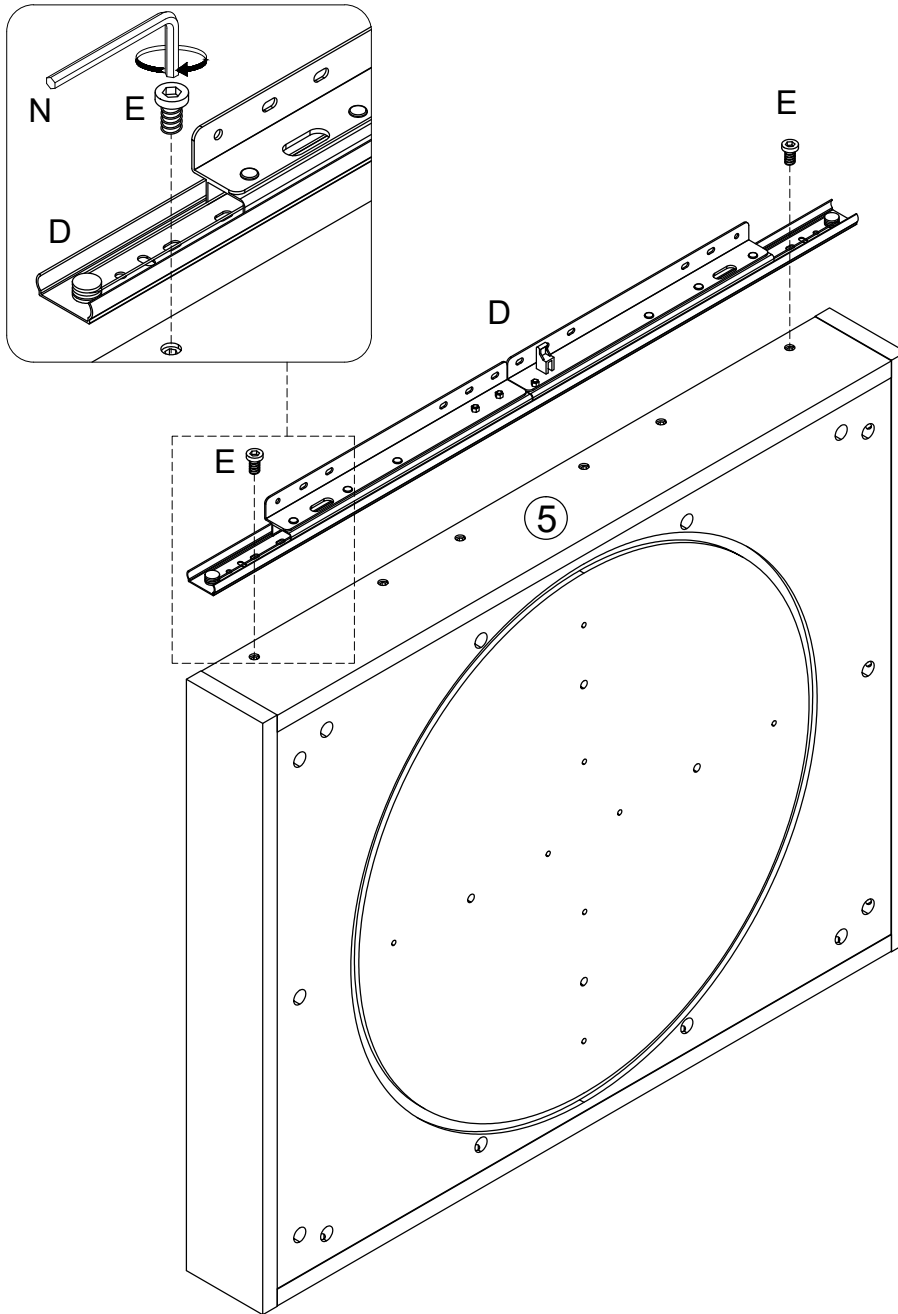
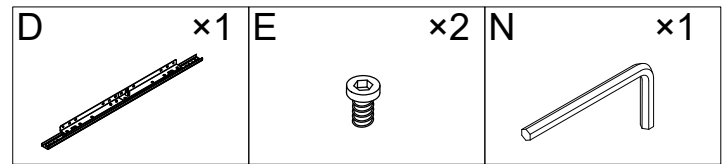
## Step 5

- I. Install the wood dowel (C) onto the panel (3) as shown.
- II. Attach panel (4,4) to panel (3,5,5), insert cam-lock (B) into the panel (3,5,5), then turn clockwise to lock onto cam-bolt(A).



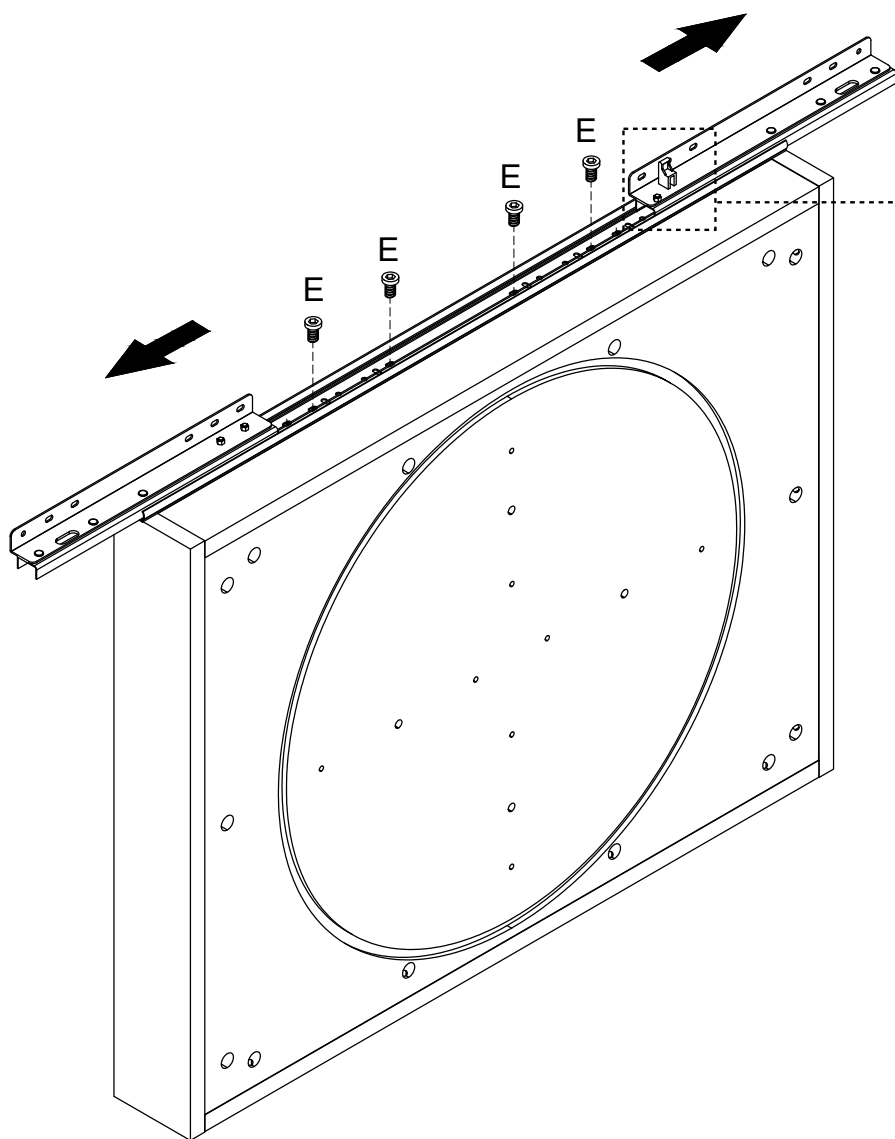
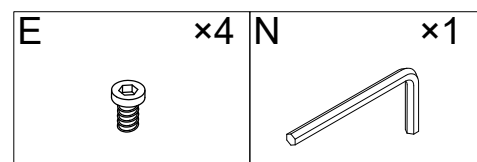
## Step 6

I. Fix the slide rail (D) to the panel (5) with bolts (E).

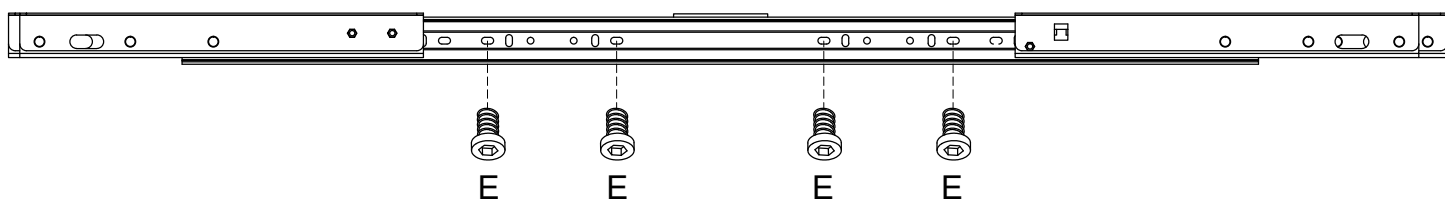
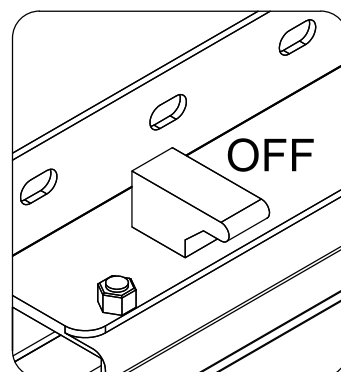
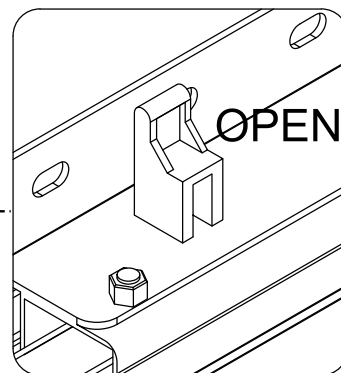


## Step 7

I. Pull the slide rail(D) to both sides, fix the slide rail (D) to the panel (5) with bolts (E).

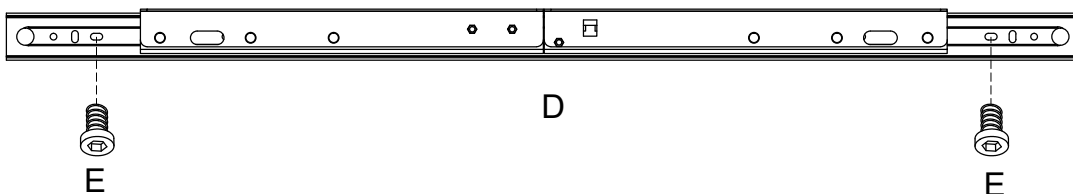
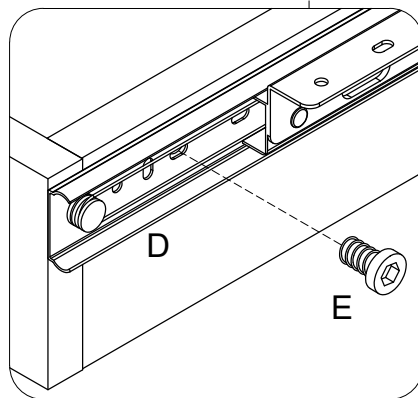
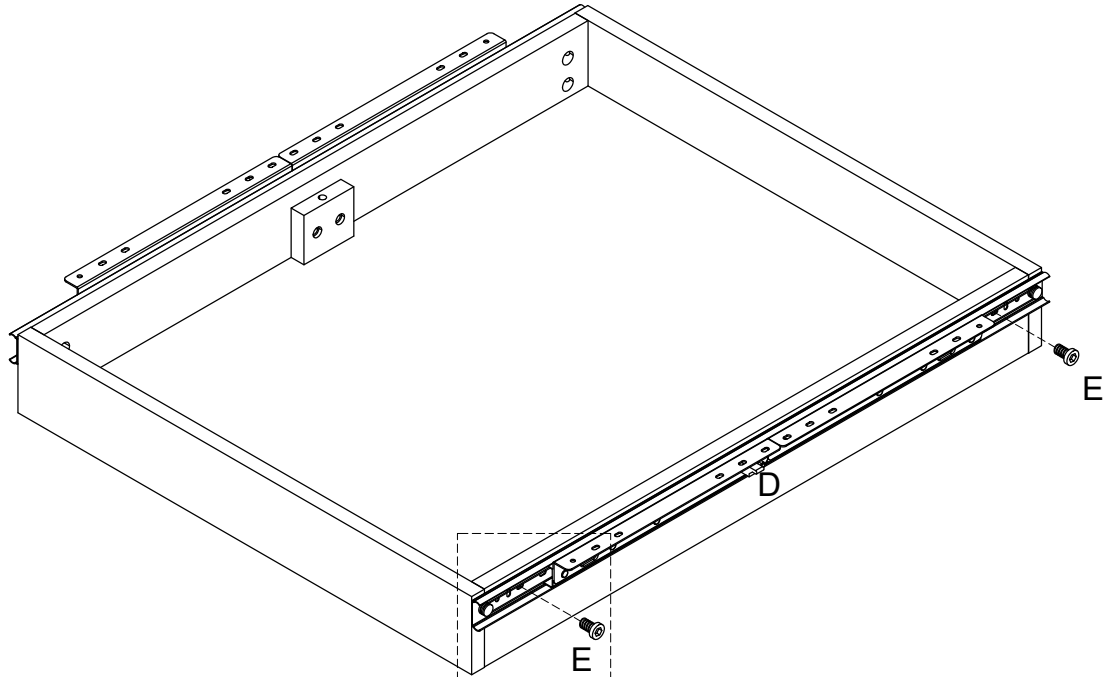
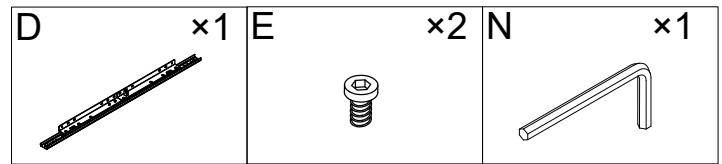


Only when turned on can it move left and right



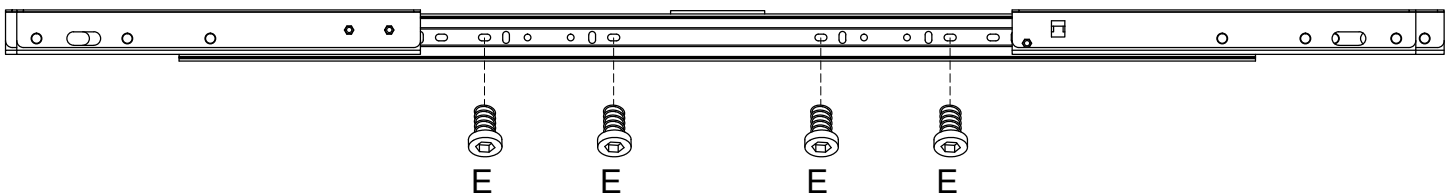
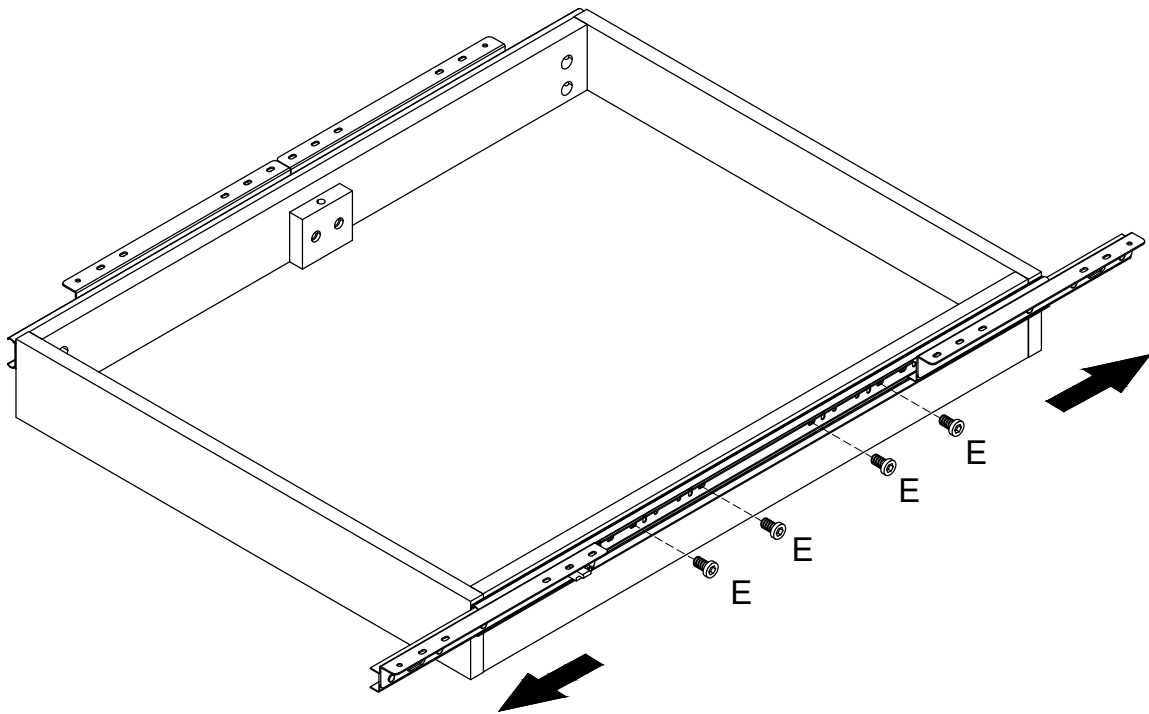
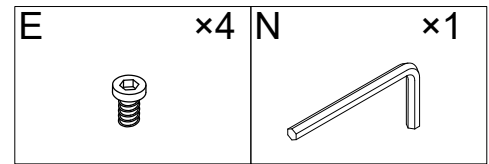
## Step 8

I. Fix the slide rail (D) to the panel (5) with bolts (E).



## Step 9

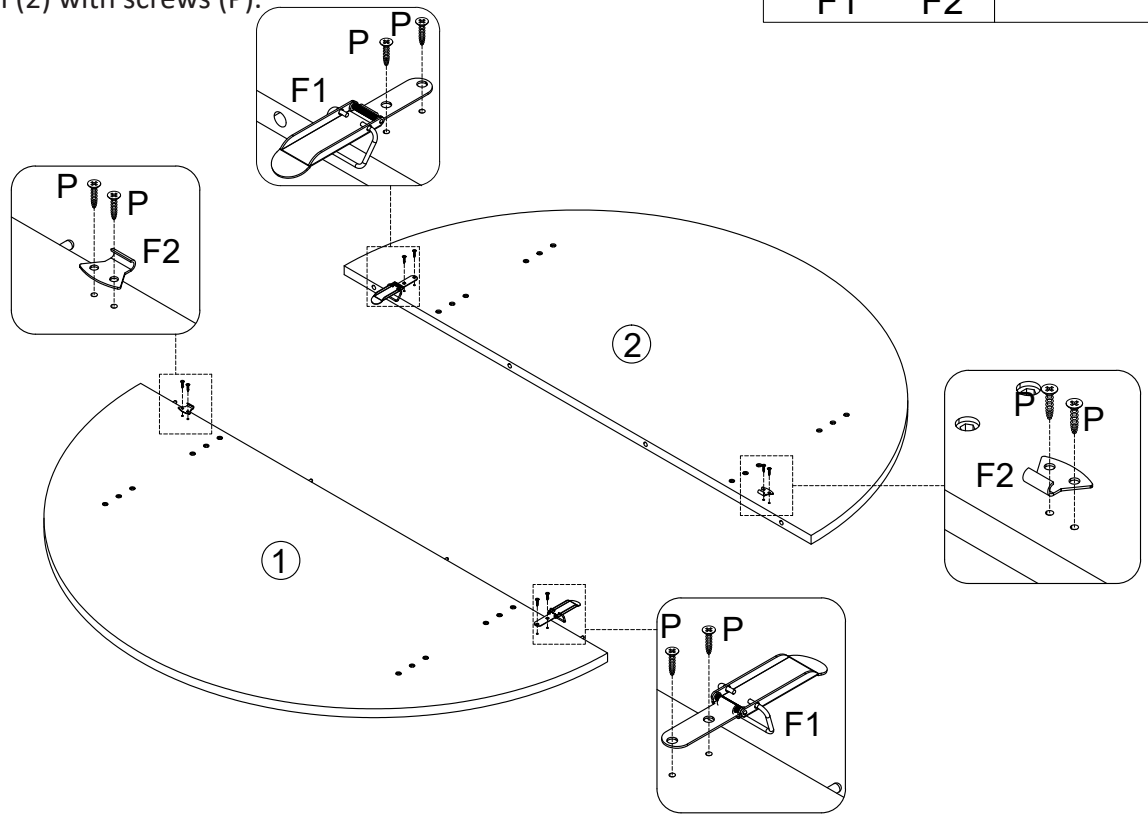
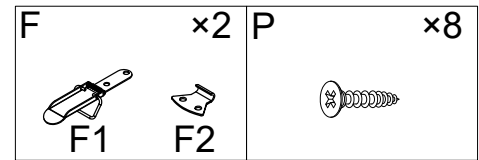
I. Pull the slide rail(D) to both sides, fix the slide rail (D) to the panel (5) with bolts (E).



## Step 10

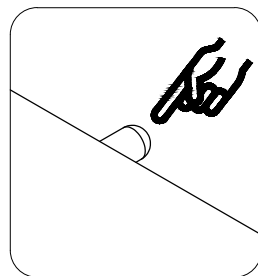
I. Secure (F1, F2) to panel (1) with screws (P).

II. Secure (F1, F2) to panel (2) with screws (P).

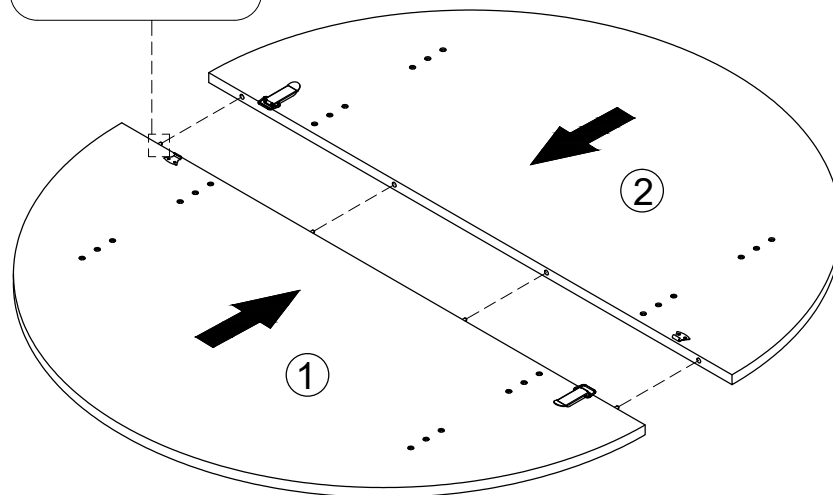


## Step 11

I. Merge panels (1) and panels (2) together.

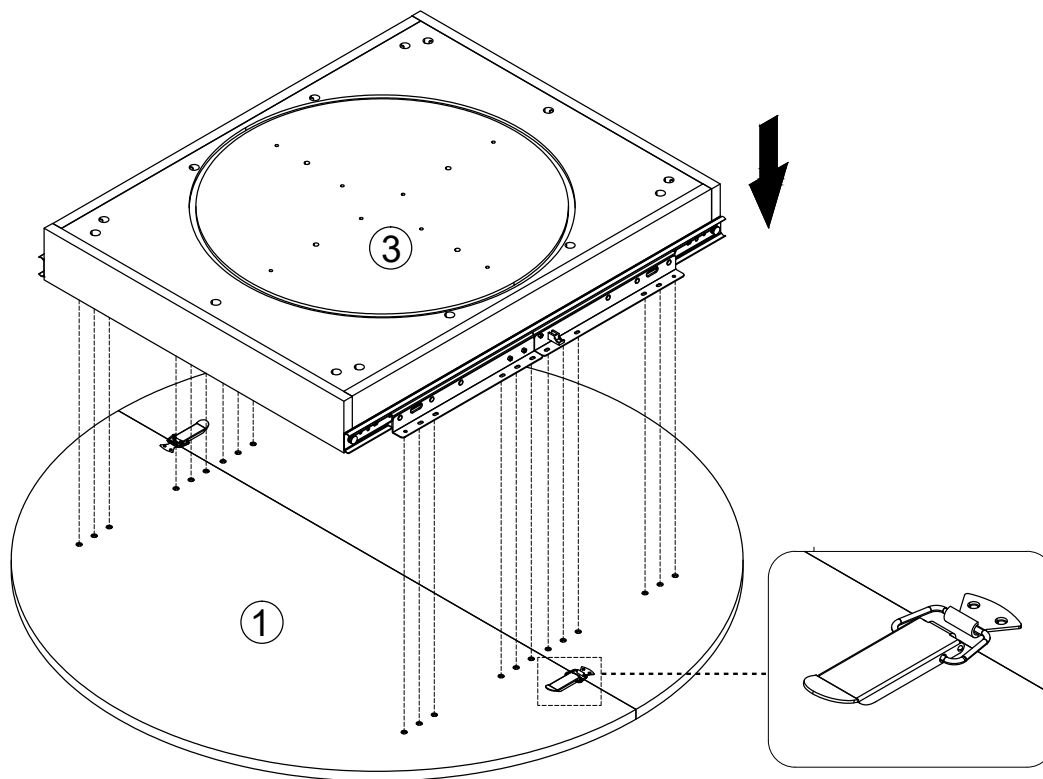


**Notice**



## Step 12

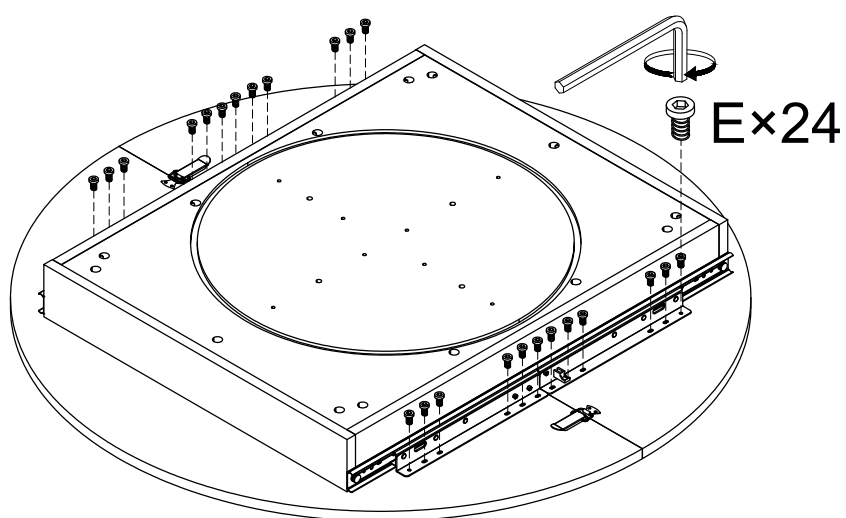
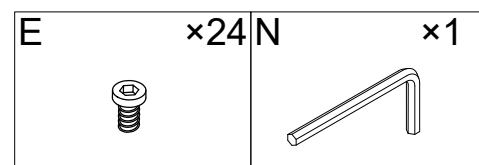
I. Assemble the assembled slide rail (D) on the panel (1,2) as shown in the figure.



Fasten (F1) and (F2) together.

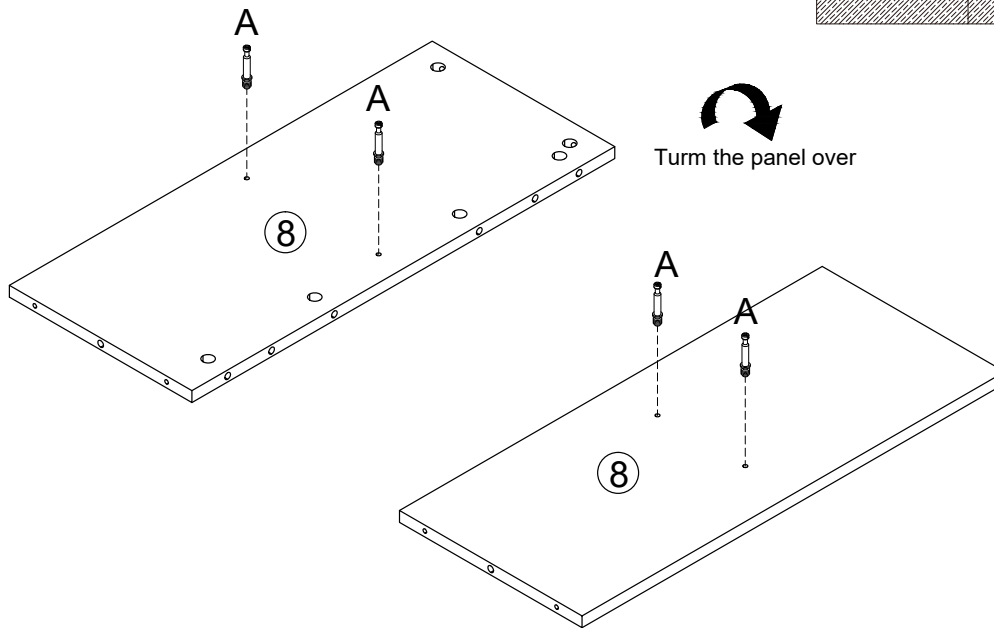
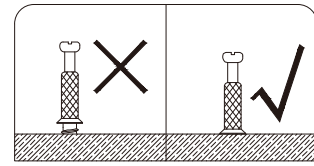
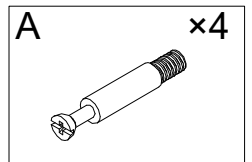
## Step 13

I. Fix the assembled slide rail (D) on the panel (1,2) with bolts (E).



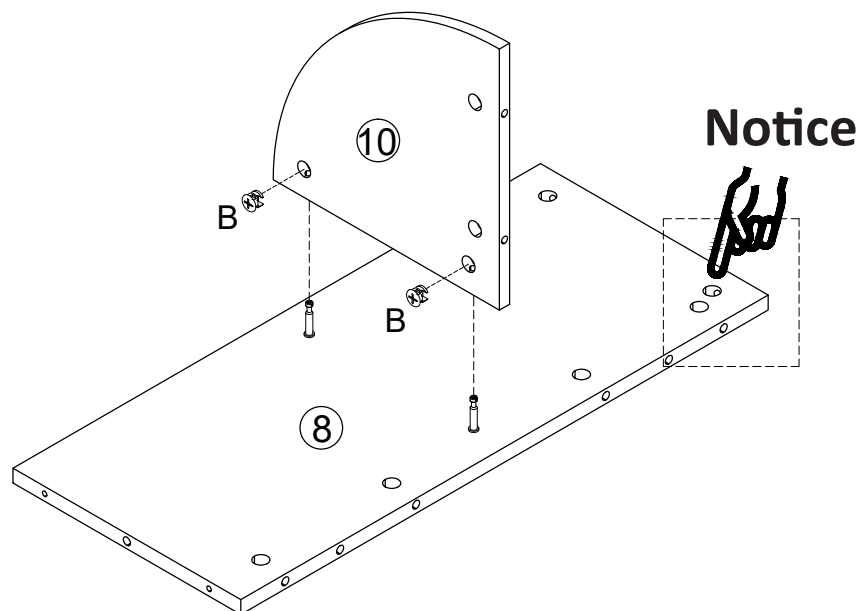
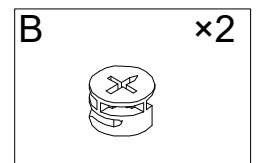
## Step 14

I.Screw (A) into the designated holes on panel (8).



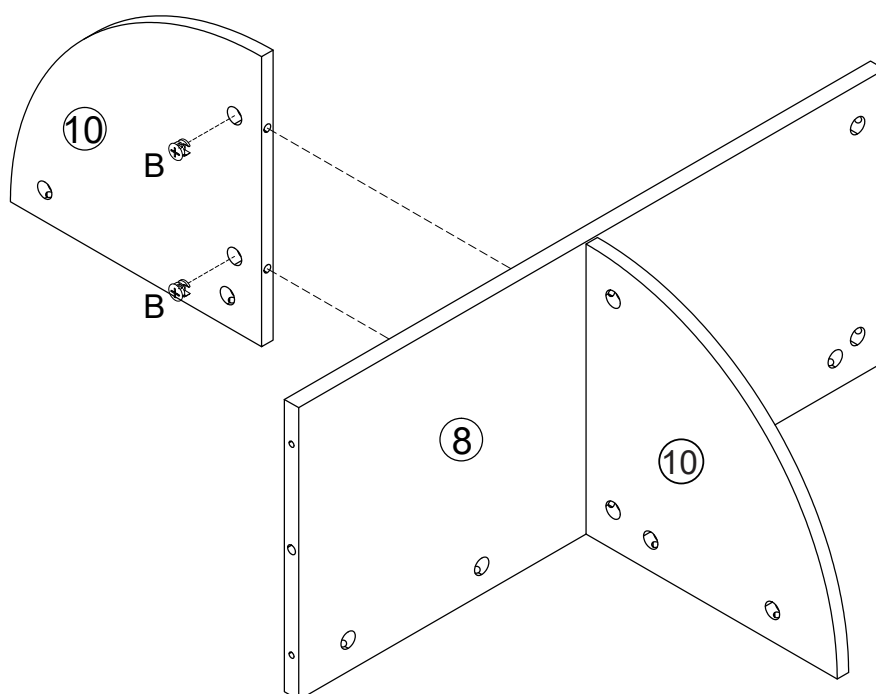
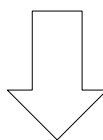
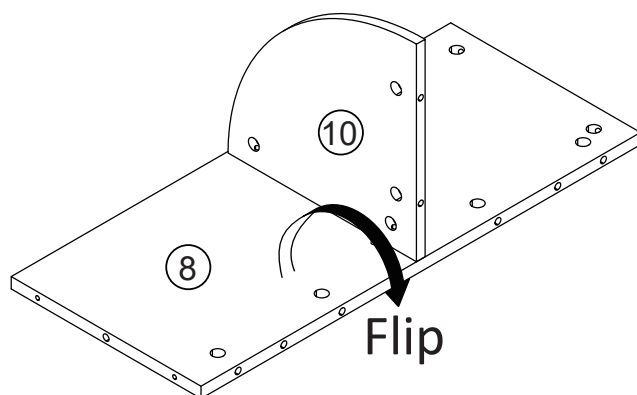
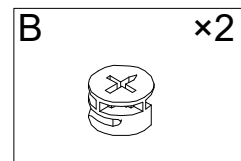
## Step 15

I.Attach panel (10) to panel (8),insert cam-lock (B) into the panel (10),then turn clockwise to lock onto cam-bolt(A).



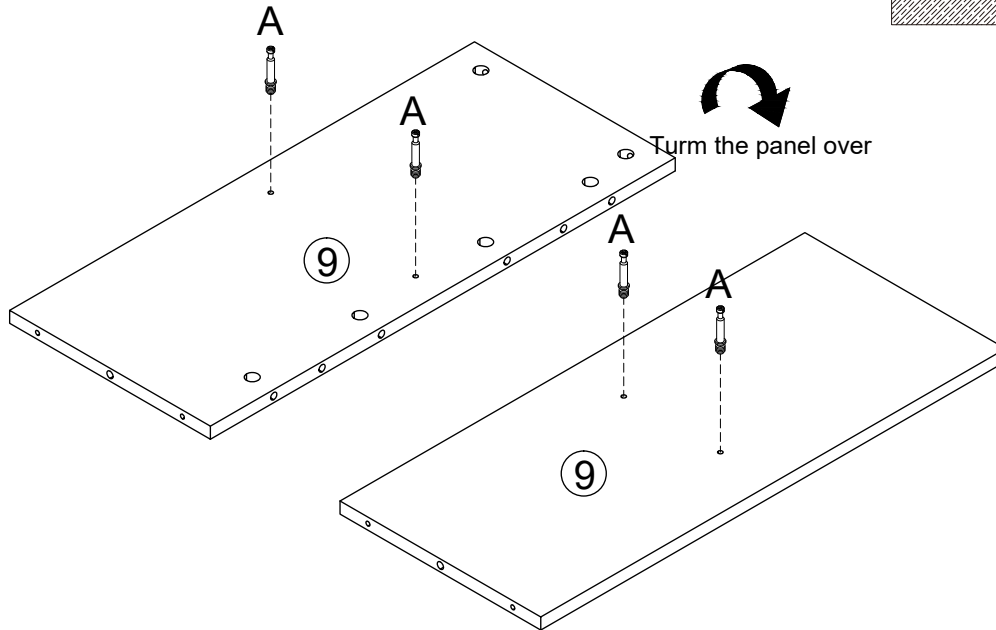
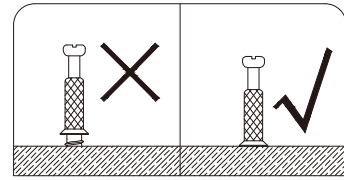
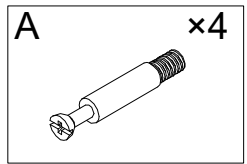
## Step 16

I. Attach panel (10) to panel (8), insert cam-lock (B) into the panel (10), then turn clockwise to lock onto cam-bolt(A).



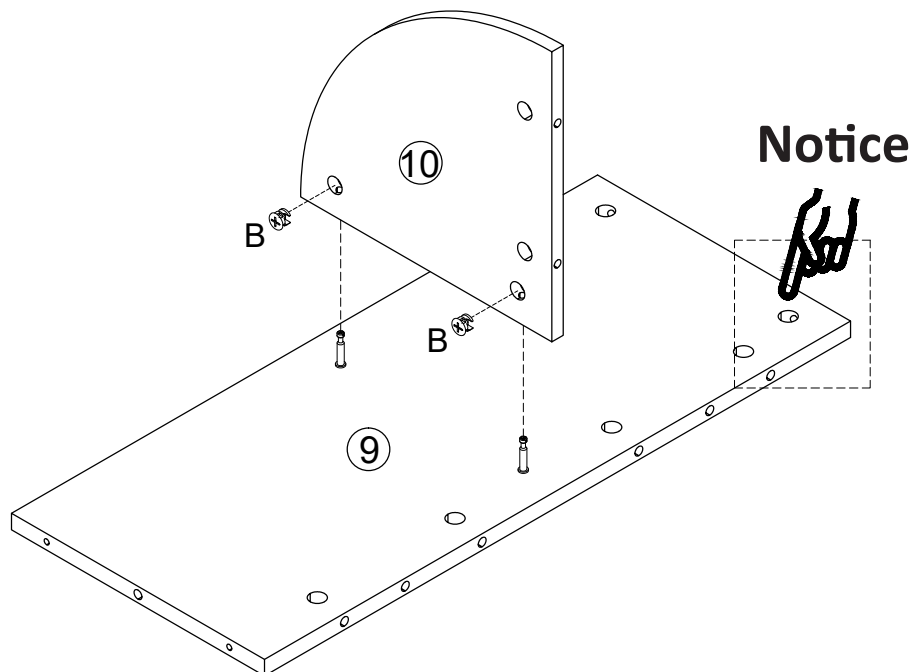
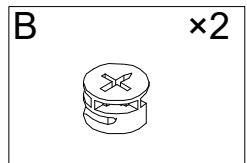
## Step 17

I.Screw (A) into the designated holes on panel (9).



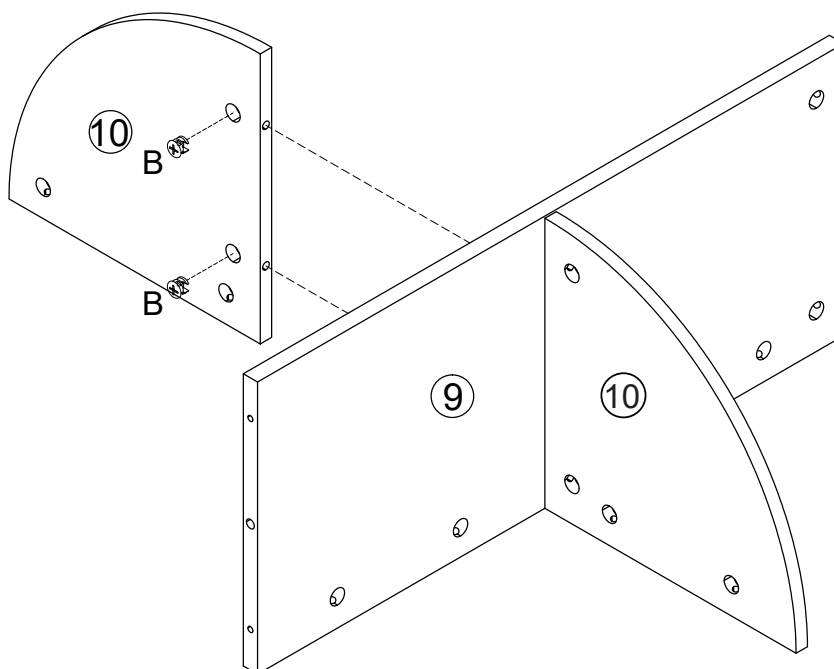
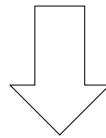
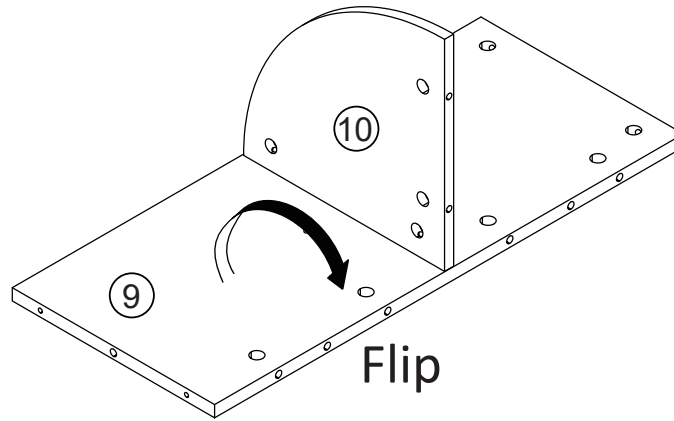
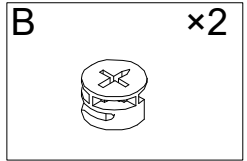
## Step 18

I.Attach panel (10) to panel (9),insert cam-lock (B) into the panel (10),then turn clockwise to lock onto cam-bolt(A).



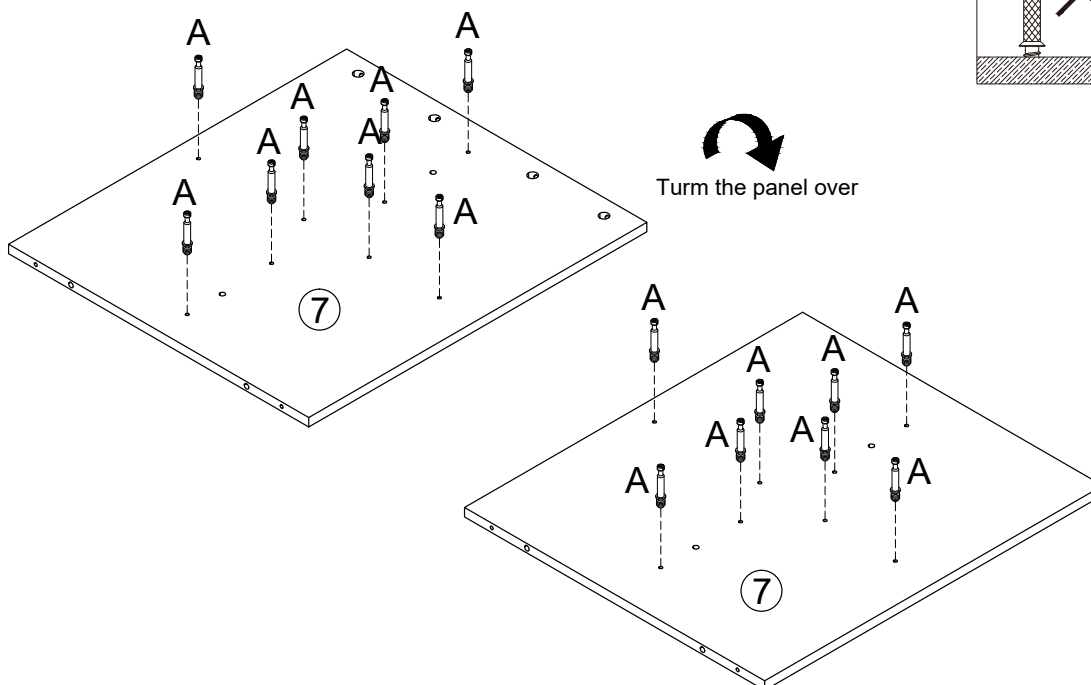
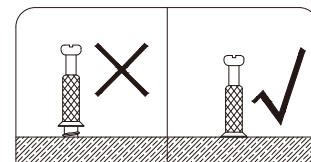
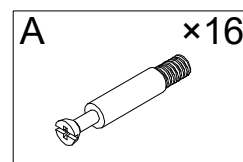
## Step 19

I. Attach panel (10) to panel (9), insert cam-lock (B) into the panel (10), then turn clockwise to lock onto cam-bolt(A).



## Step 20

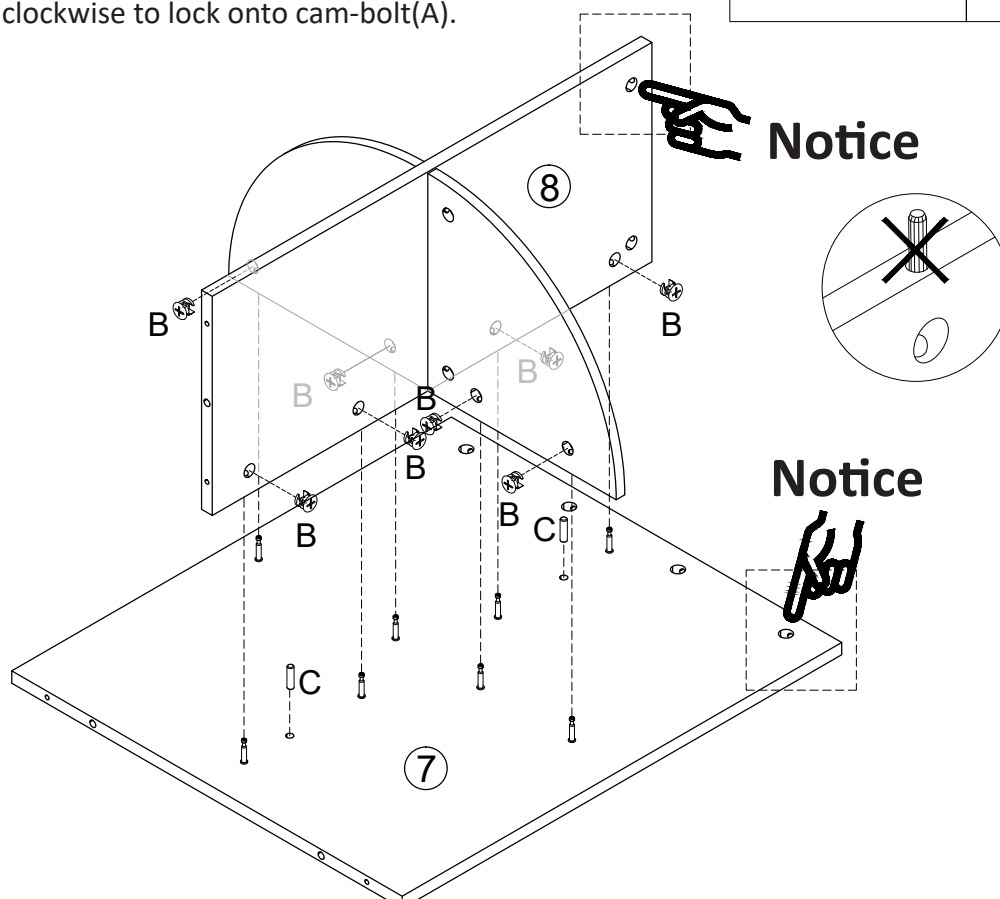
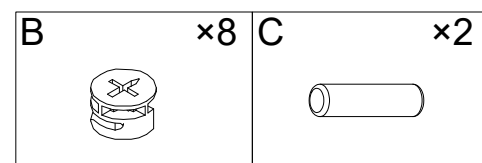
I. Screw (A) into the designated holes on panel (7).



## Step 21

I. Install the wood dowel (C) onto the panel (7) as shown.

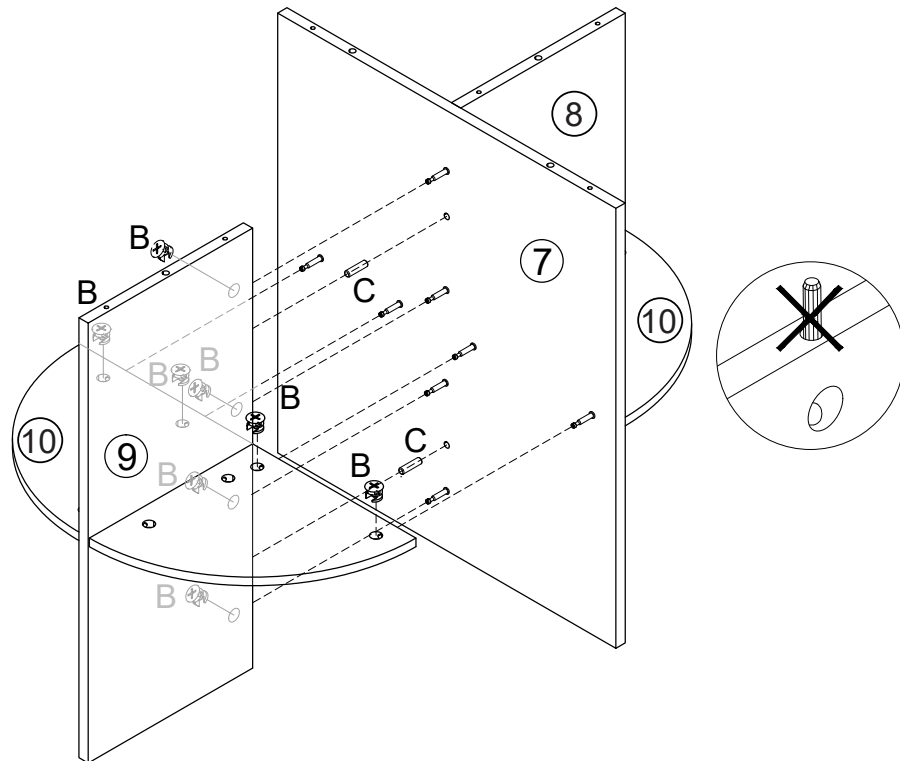
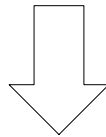
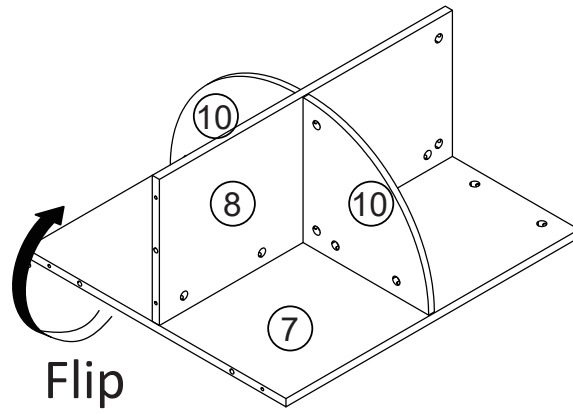
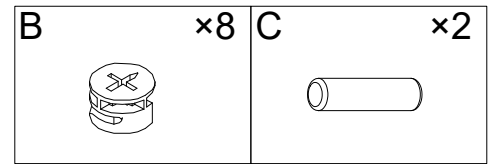
II. Attach the assembled panel (8,10,10) to panel (7), insert cam-lock (B) into the panel (8,10,10), then turn clockwise to lock onto cam-bolt(A).



## Step 22

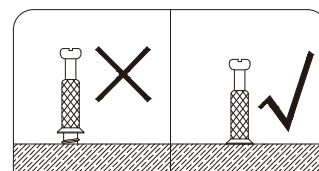
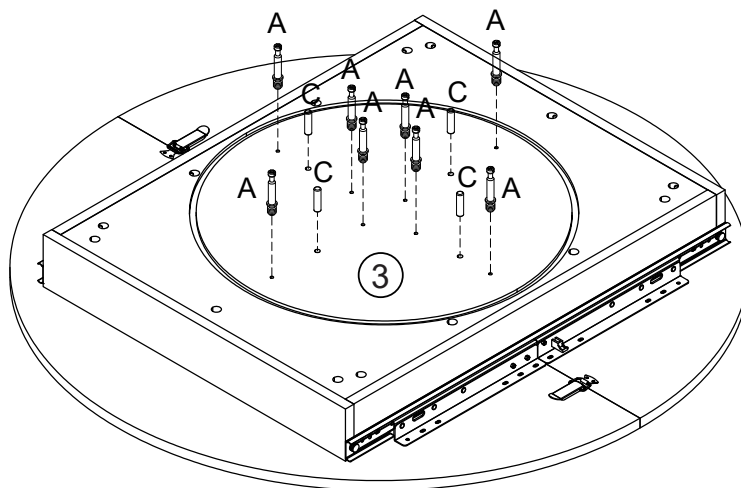
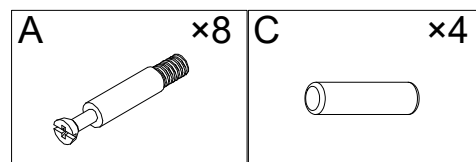
I. Install the wood dowel (C) onto the panel (7) as shown.

II. Attach the assembled panel (9,10,10) to panel (7,8,10,10), insert cam-lock (B) into the panel (9,10,10), then turn clockwise to lock onto cam-bolt(A).



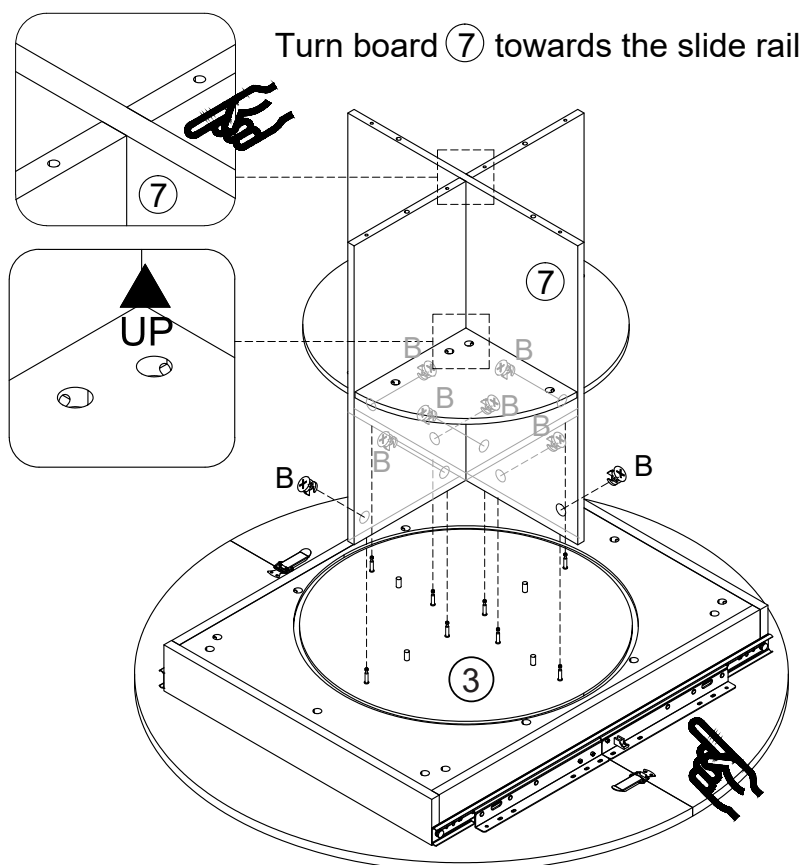
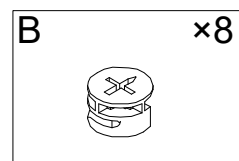
## Step 23

- I. Install the wood dowel (C) onto the panel (3) as shown.
- II. Screw (A) into the designated holes on panel (3).



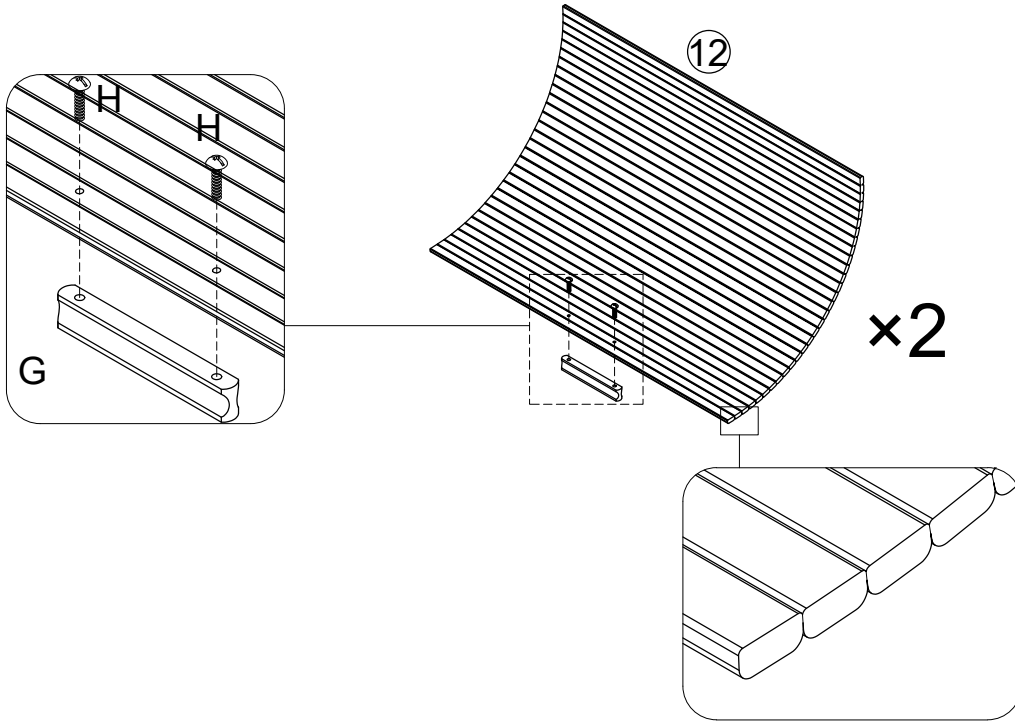
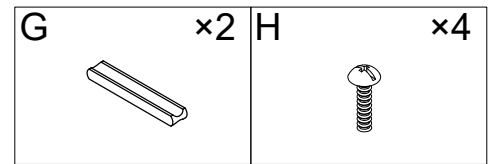
## Step 24

- I. Attach the assembled panel (7) to panel (3), insert cam-lock (B) into the panel (7,8,9), then turn clockwise to lock onto cam-bolt (A).



## Step 25

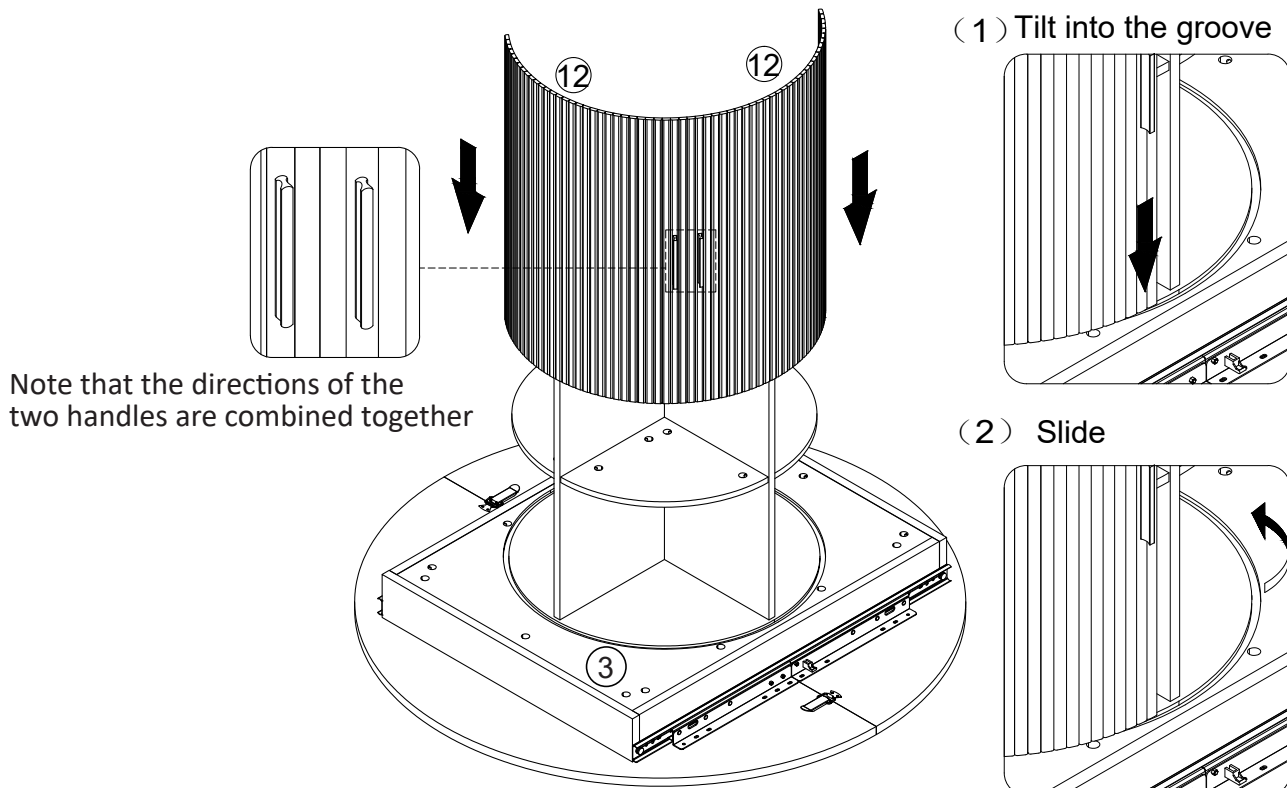
I. Use screws (H) to fix the handle (G) on the panels (12,12).



## Step 26

I. Insert the panel (12, 12) into the groove of the panel (3) as shown.

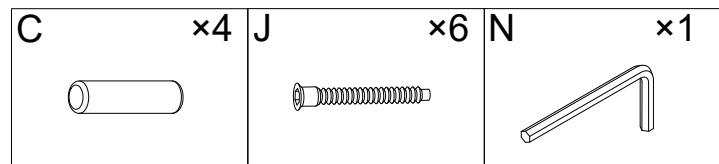
Note: You can first insert one side of the panel (12) into the groove of the panel (3), and then slowly insert the others into the groove of the panel (3) until the panel (12) can be pushed and pulled smoothly.



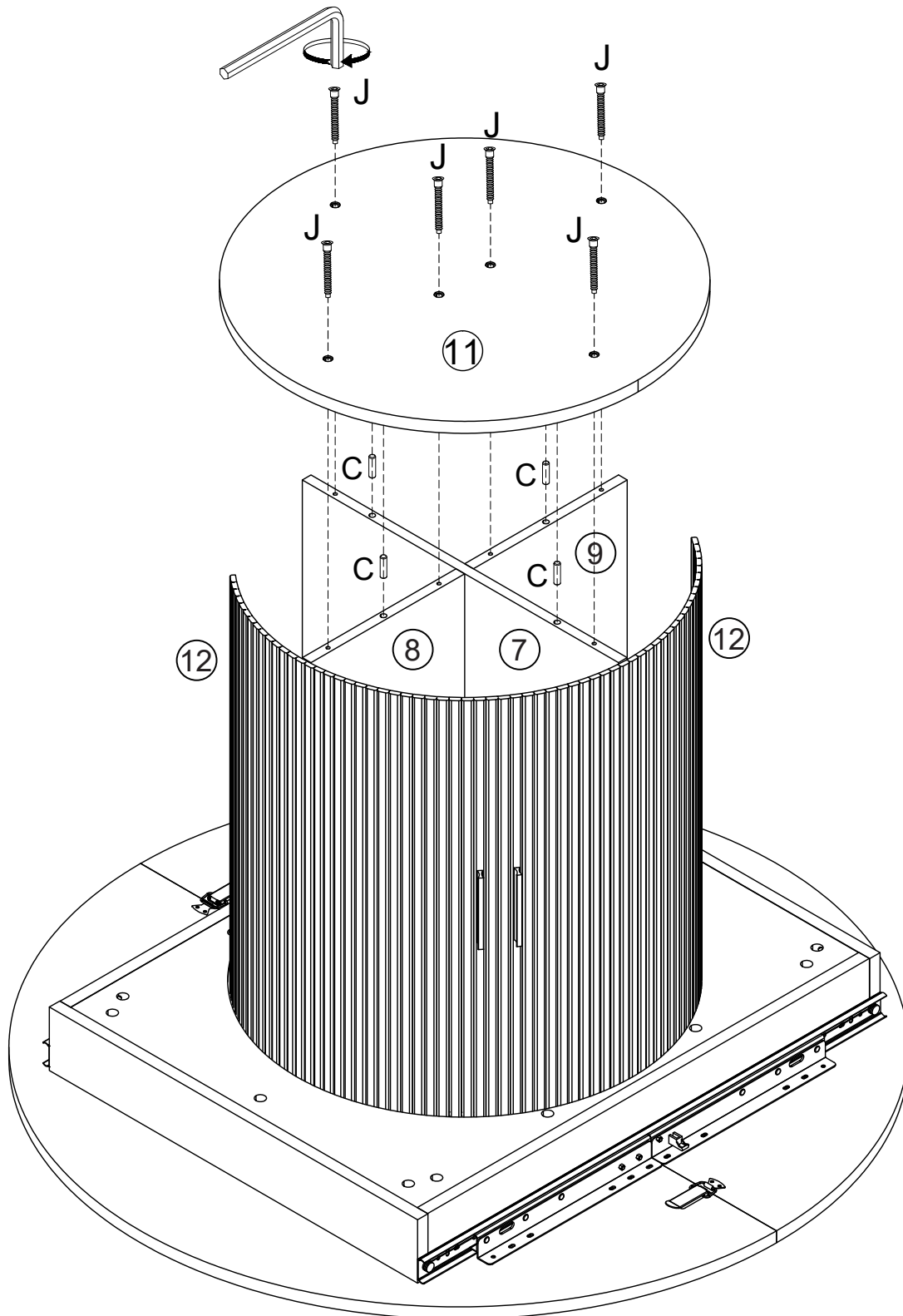
## Step 27

I. Install the wood dowel (C) onto the panel (7,8,9) as shown.

II. The panel (11) is fixed with bolt (J) to the assembled panel (7, 8, 9, 12, 12) as shown.

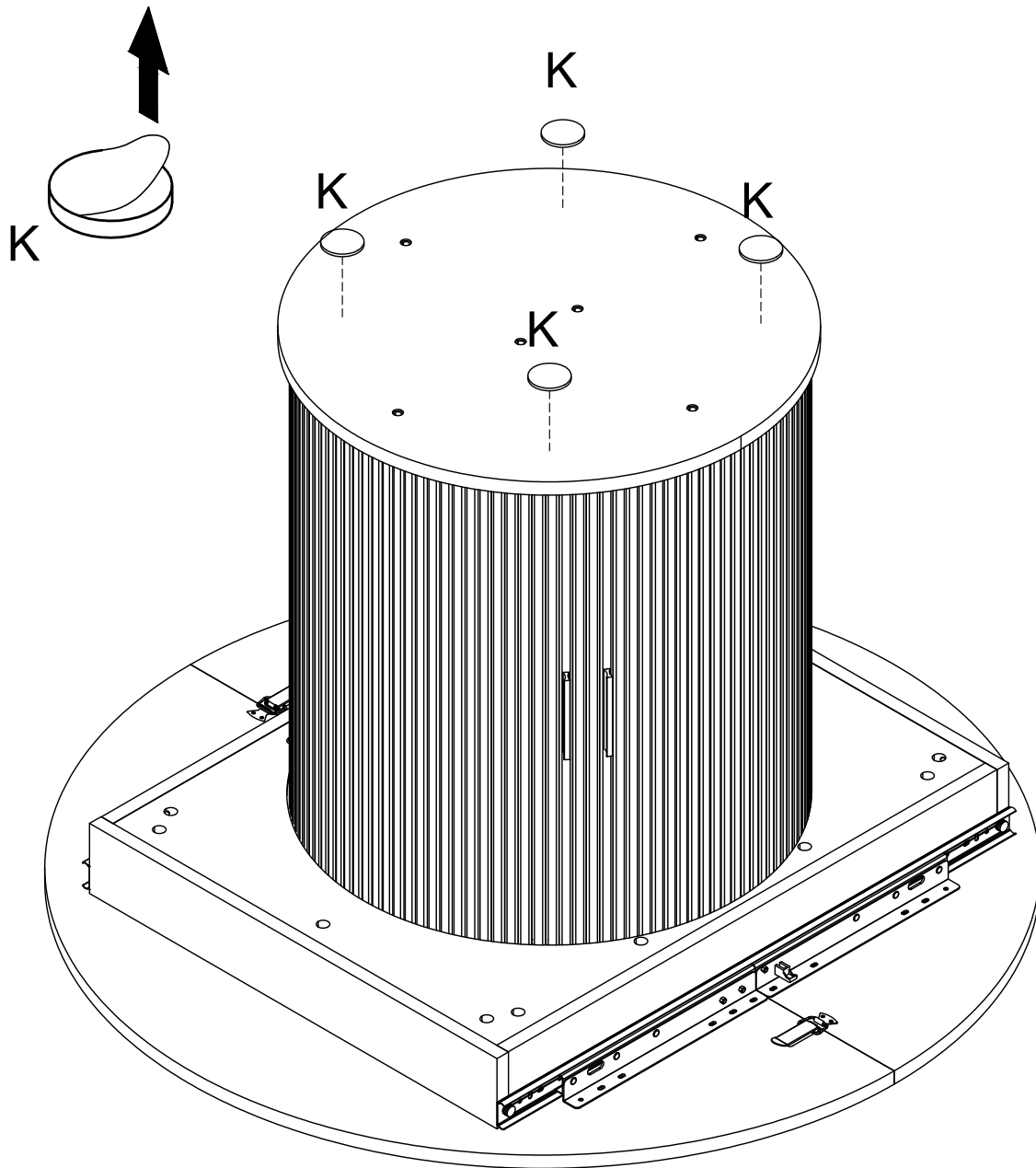
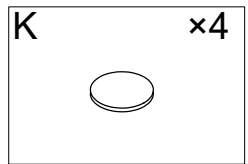


**Note:** The panel (12, 12) should be completely inserted into the groove of the panel (11).



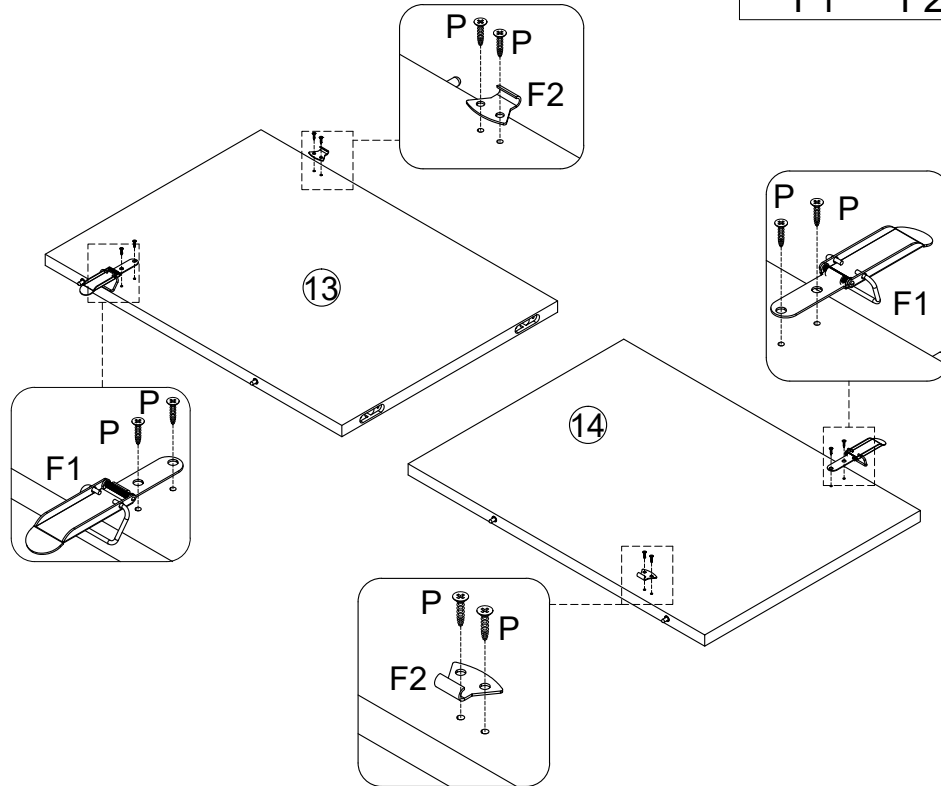
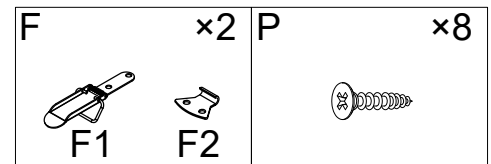
## Step 28

I.Stick the anti-slip foot pad (K) to the panel (11).



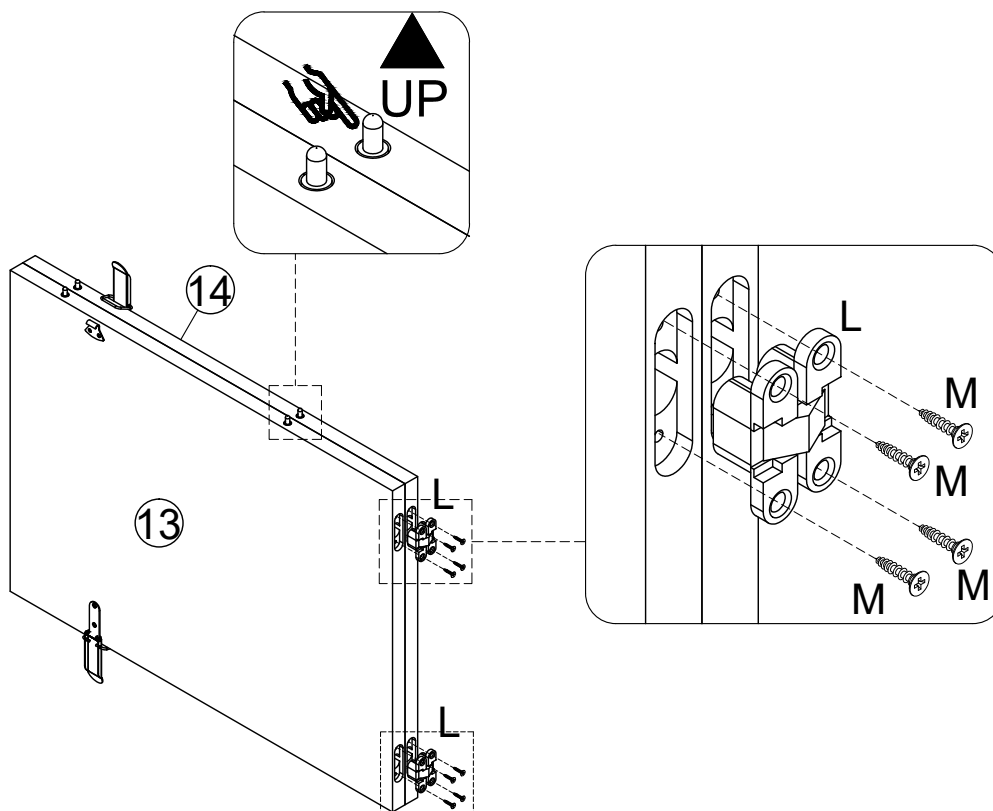
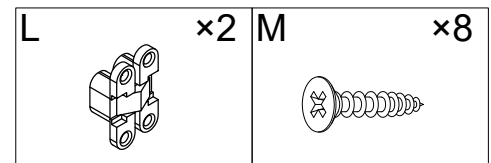
## Step 29

- I. Secure (F1, F2) to panel (13) with screws (P).
- II. Secure (F1, F2) to panel (14) with screws (P).



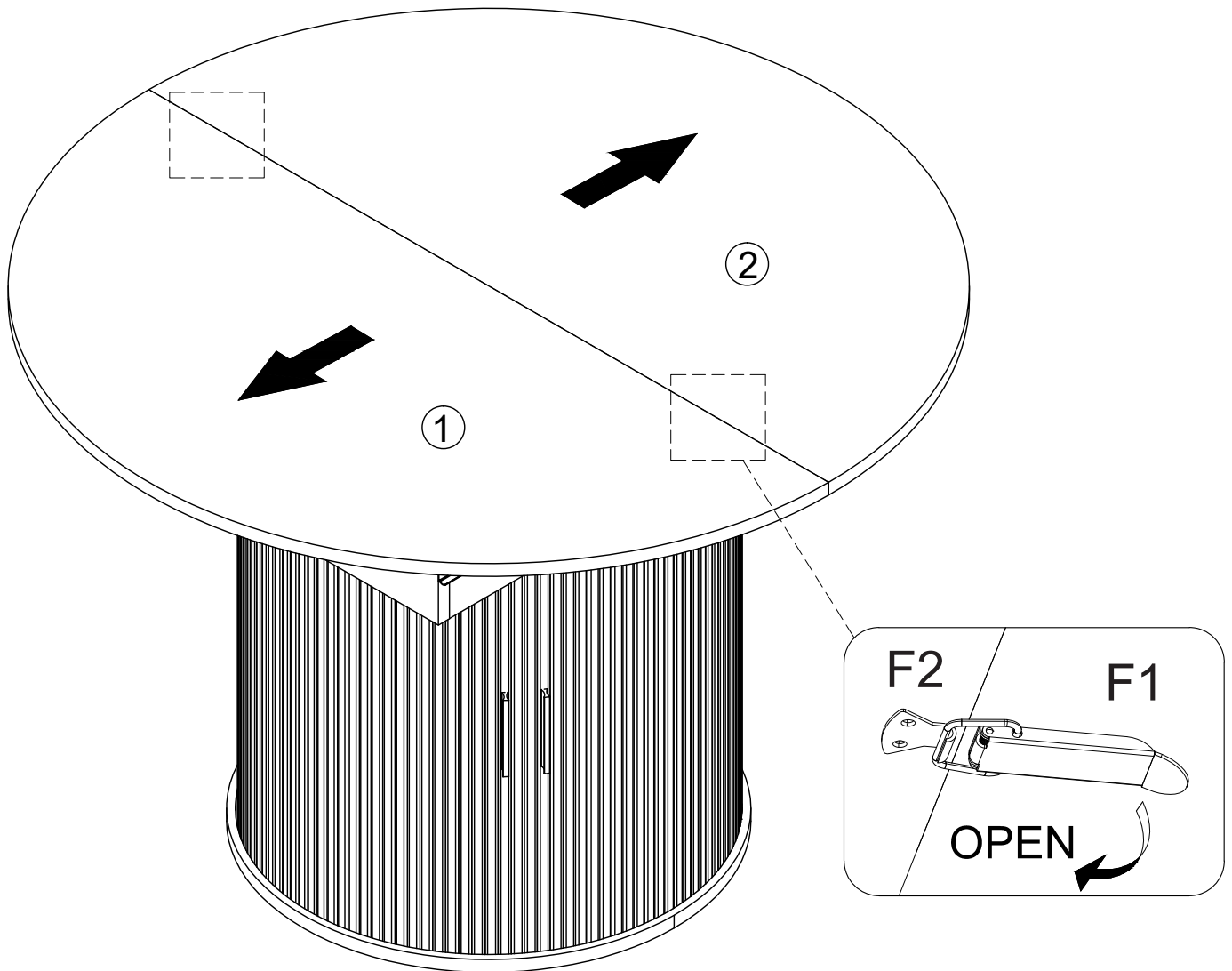
## Step 30

- I. Secure (L) to panel (13,14) with screws (M) as shown.



## Step 31

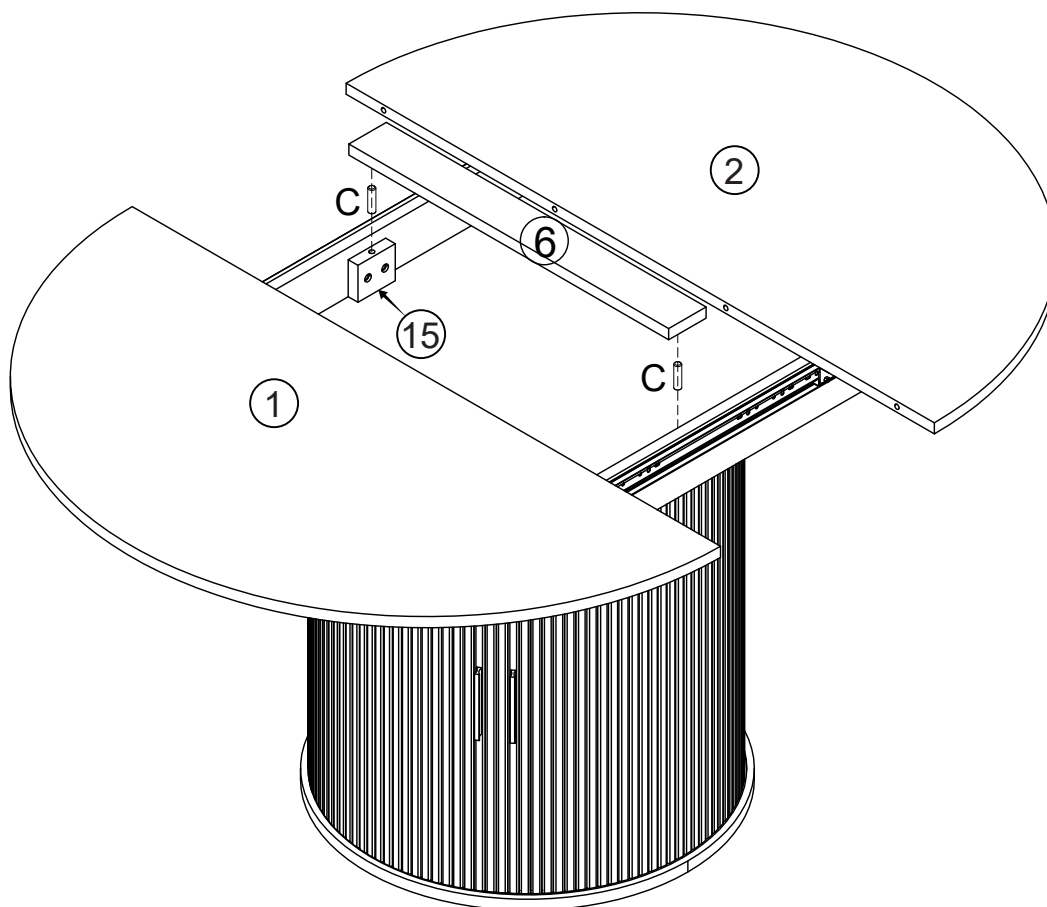
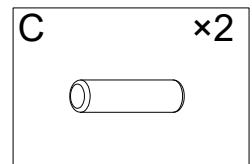
I.Open (F1) and (F2) below panel (1,2).



## Step 32

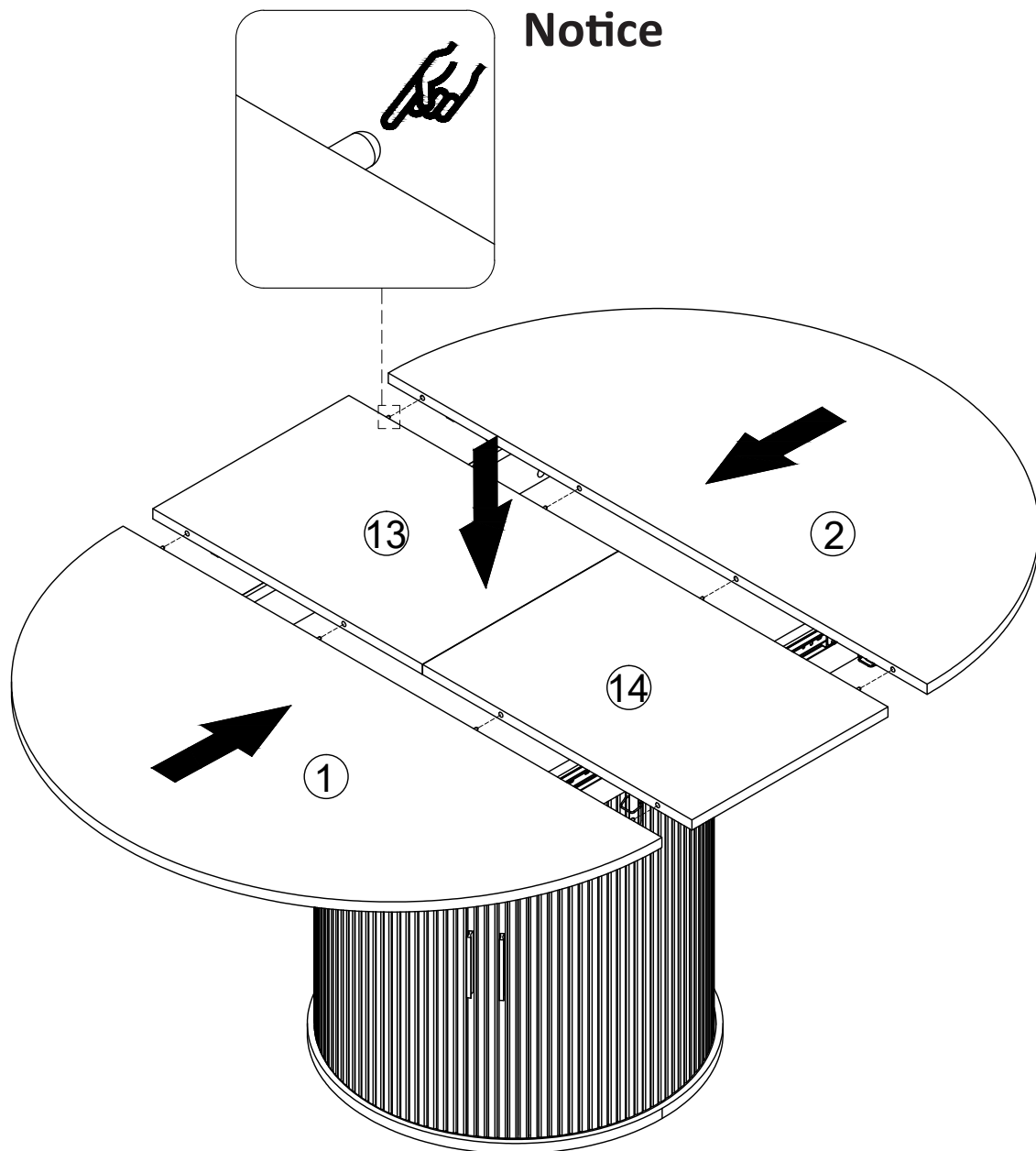
I. Push the panel (1) and panel (2) away to the sides.

II. Use wood dowel (C) to connect the panel (6) to the panel (15,15) as shown.



## Step 33

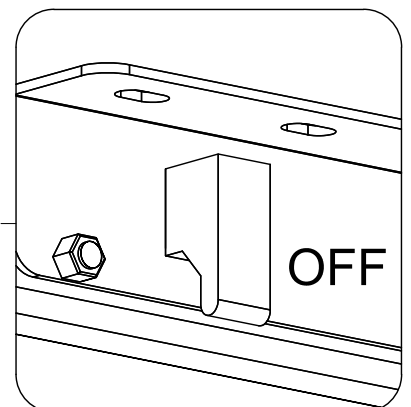
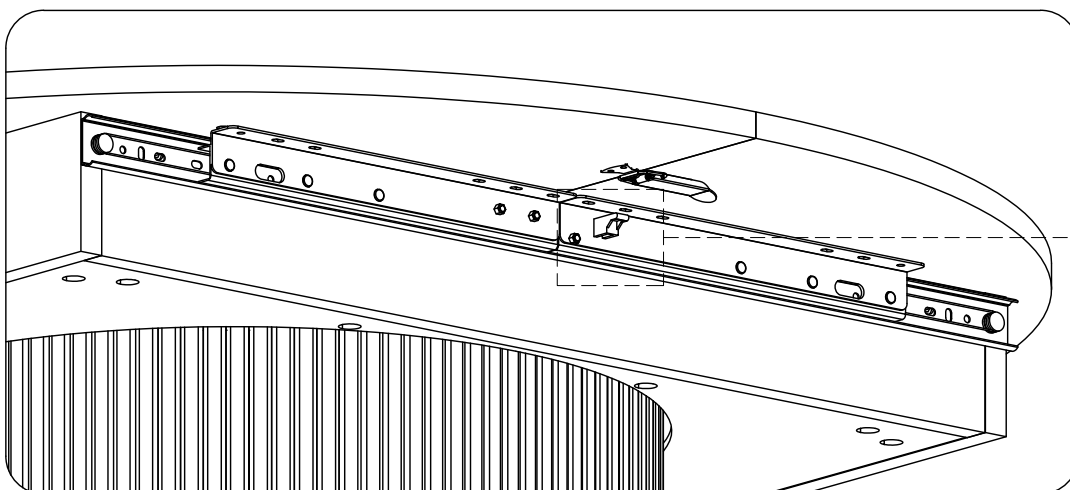
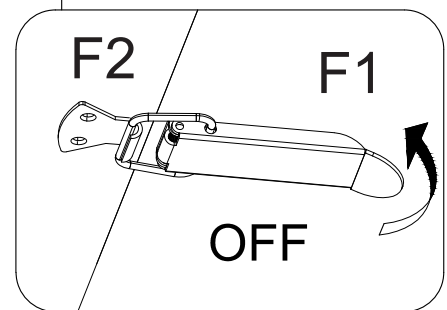
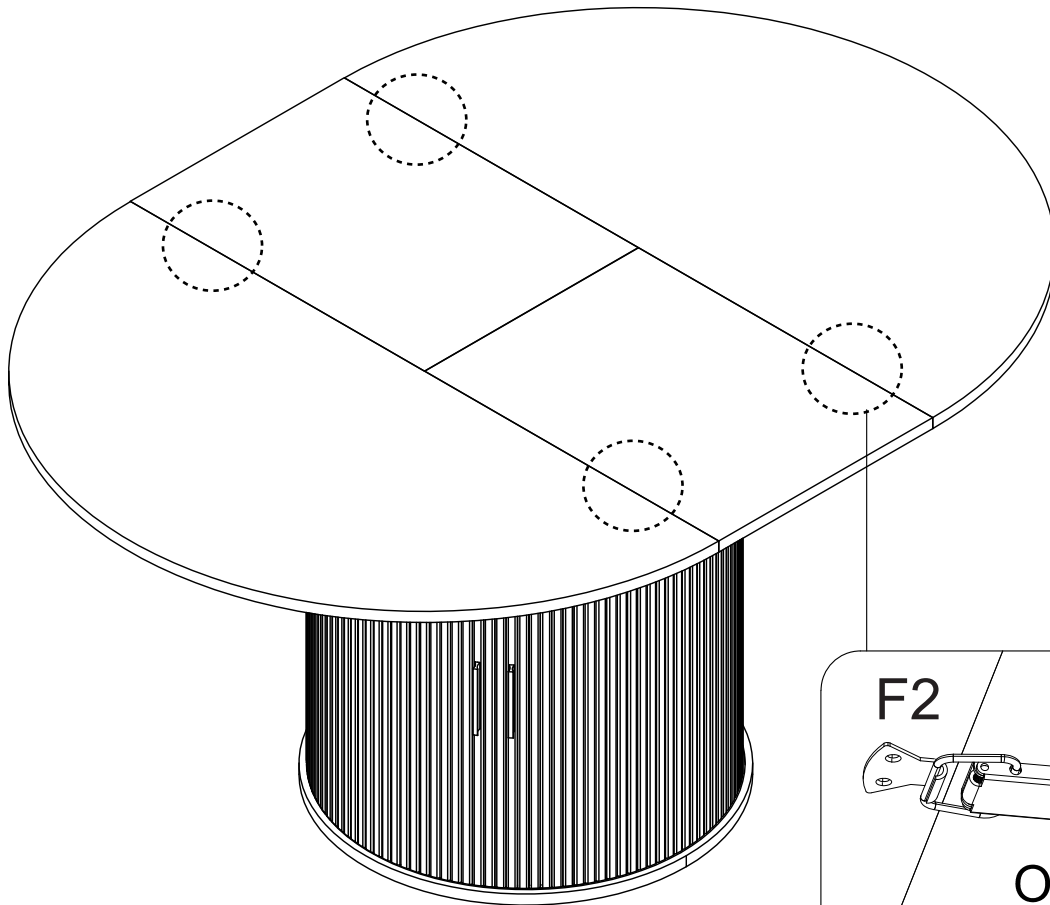
I. Connect the assembled panels (13,14) and panels (1,2).



## Step 34

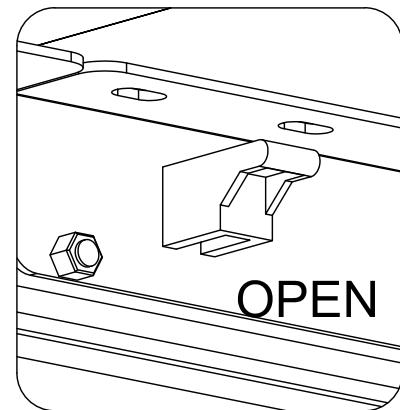
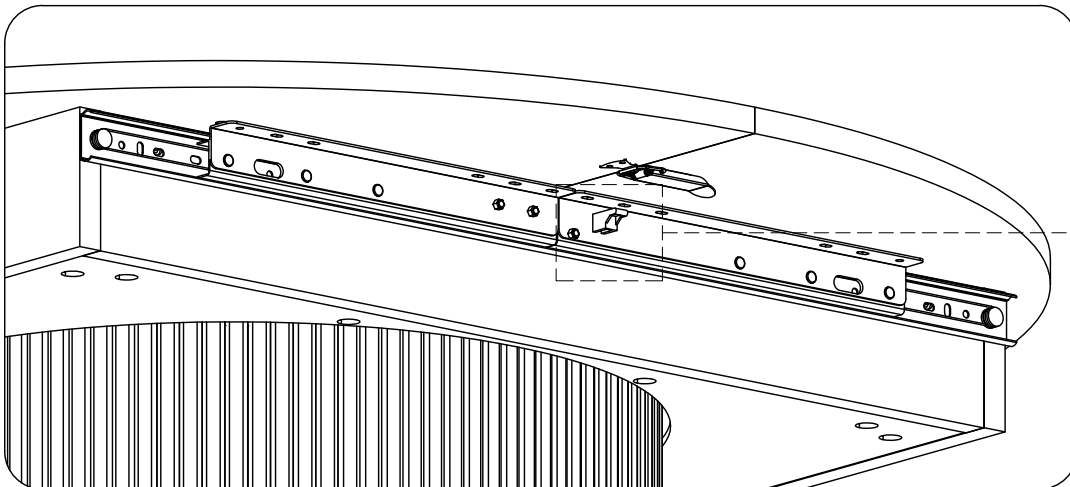
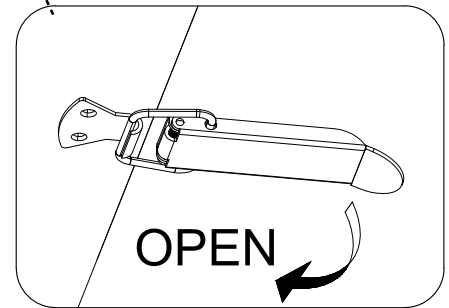
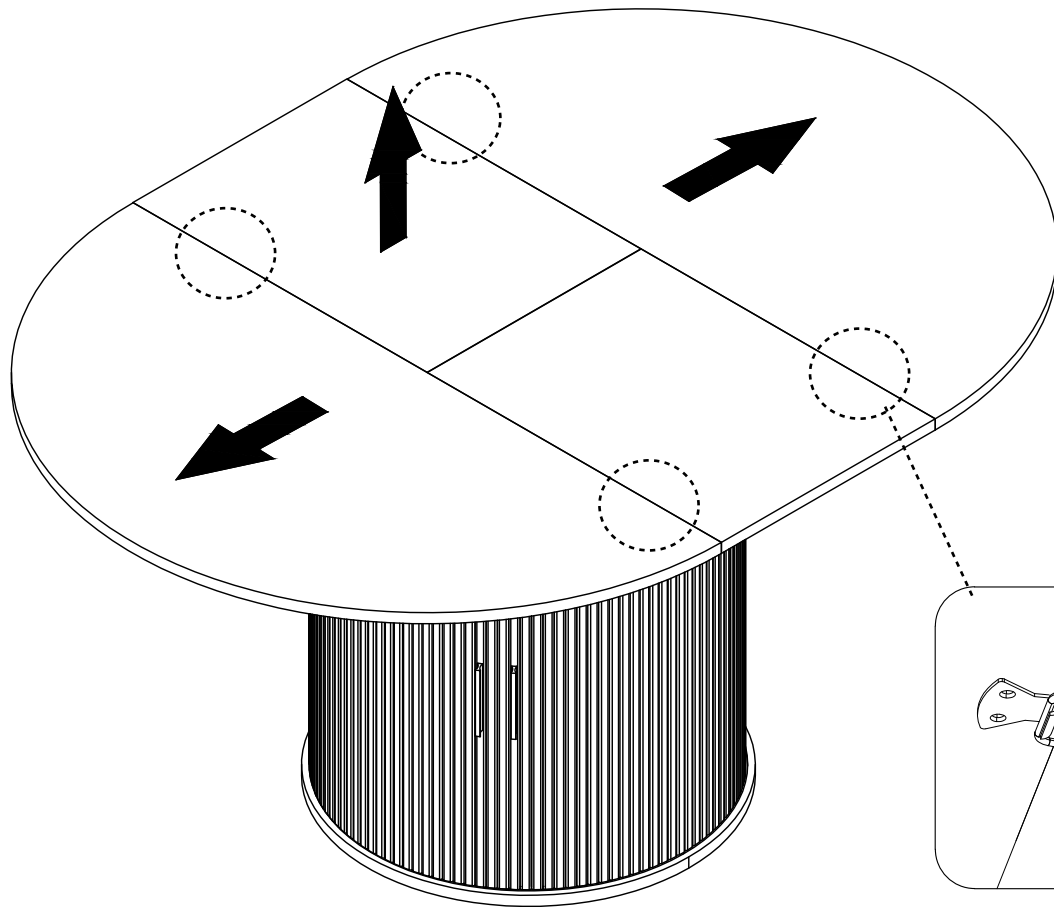
I. Fasten (F1) and (F2) together.

II. Turn off the switch on the slide rail (D) downwards.

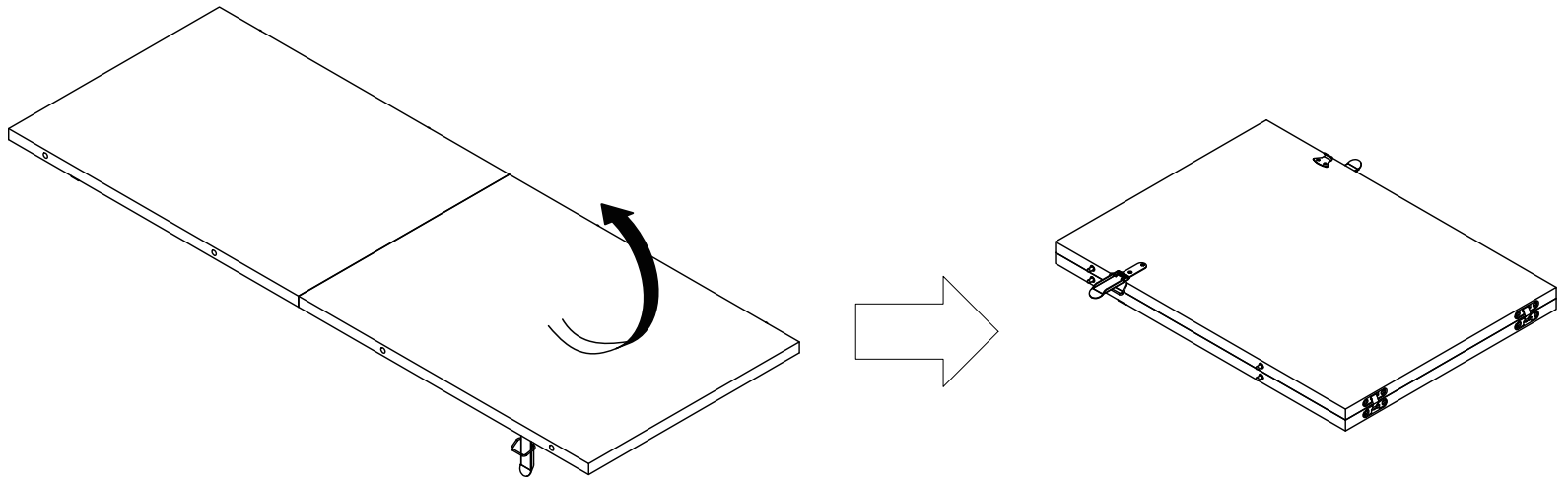


Step 35

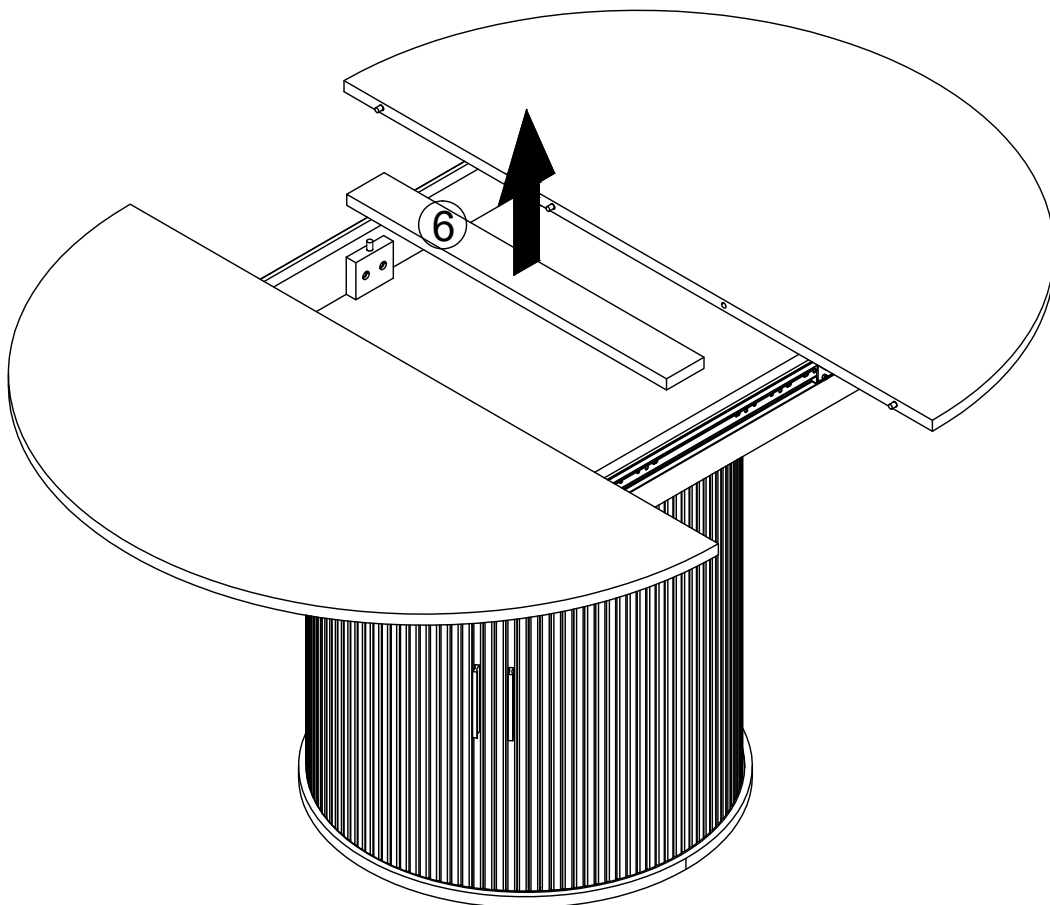
Transform styles A and B according to your needs



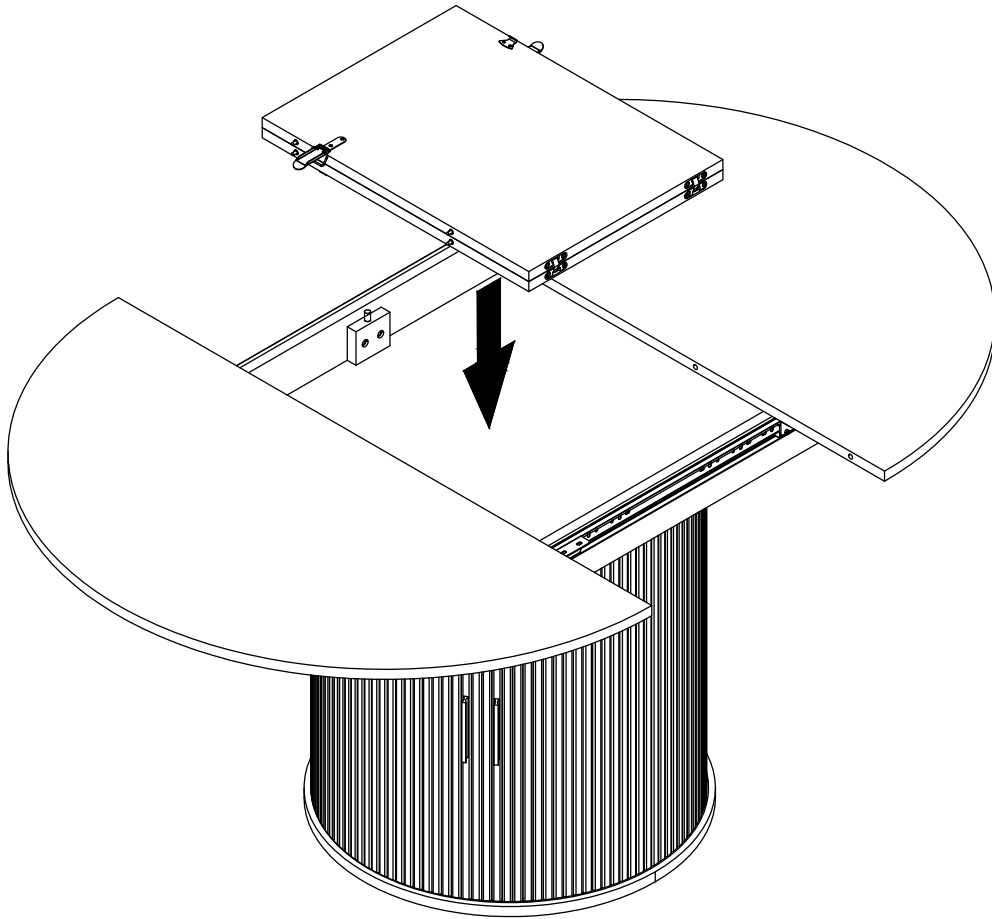
## Step 36



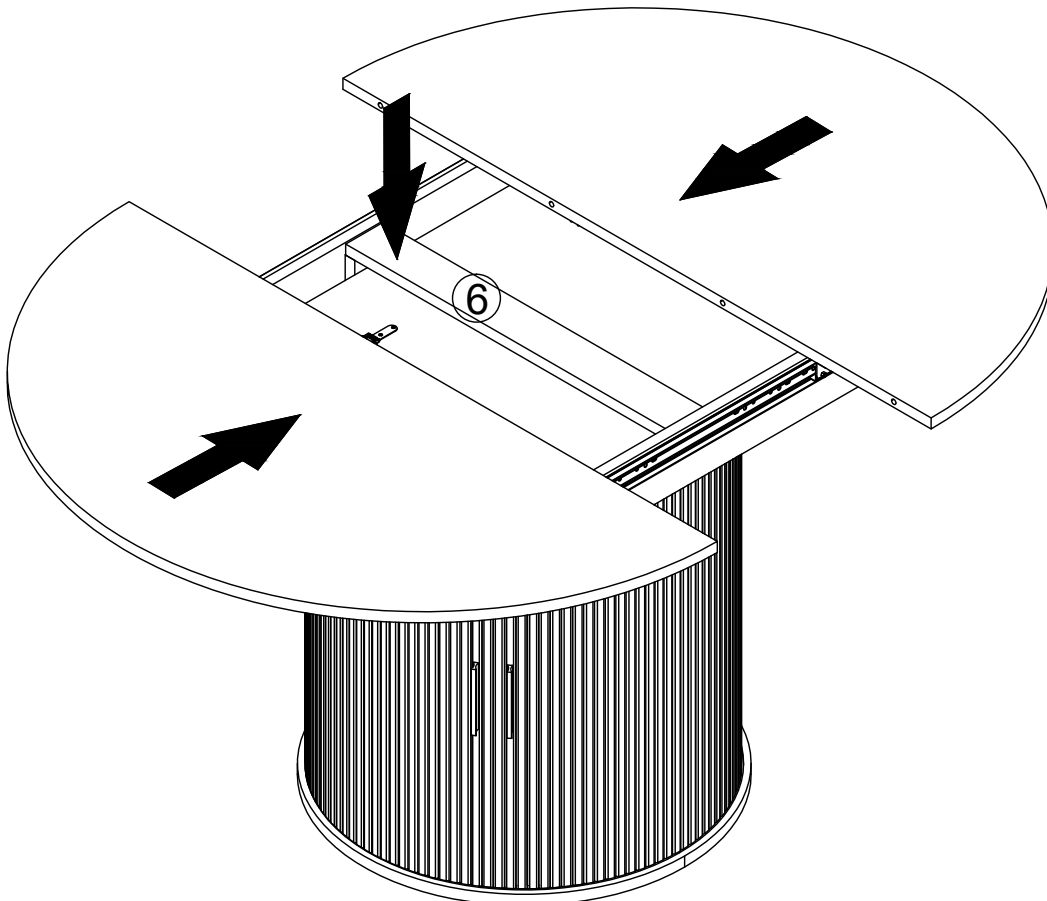
## Step 37



**Step 38**



**Step 39**



Step 40

