

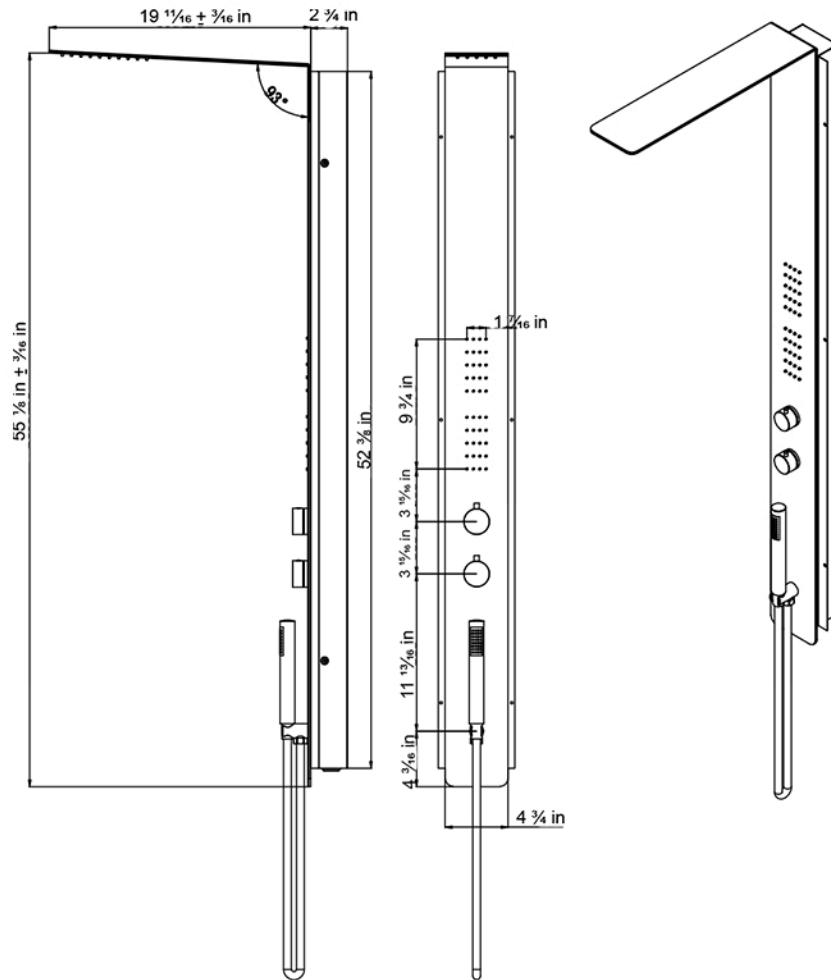


DAX-034



SHOWER PANELS **SERIES**





FEATURES

- Shower Panel
- Pressure Balance Valve
- Brushed Stainless Steel







SHOWER PANEL DAX-034

MODEL	DAX-034
ADA	No
UPC APPROVED	Yes
ANSI APPROVED	No
ASME APPROVED	No
BODYSPRAYS INCLUDED	No
NUMBER OF BODYSPRAYS	No
MATERIAL	Stainless Steel
WALL MOUNTED	Yes
HAND SHOWER INCLUDED	Yes
HAND SHOWER HOSE INCLUDED	Yes
HAND SHOWER HOSE LENGTH	39-9/16"
INSTALLATION TYPE	Concealed
PRESSURE BALANCE	Yes
SCALD GUARD	Yes
SHOWER HEAD	Yes
SHOWER HEAD SHAPE	Rectangular
SHOWER HEAD WIDTH	4-3/4"
SLIDE BAR INCLUDED	Yes
SPRAY PATTERN	Rain
THERMOSTATIC	No
VALVE TYPE	Pressure Balance
WATERSENSE CERTIFIED	No
FINISH	Brushed Stainless Steel

For parts or sale requirements please contact our customer service department:

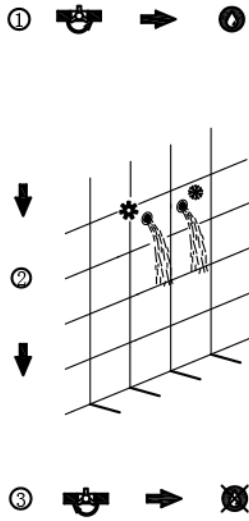
 CS@daxib.com

 1 888 685 8236

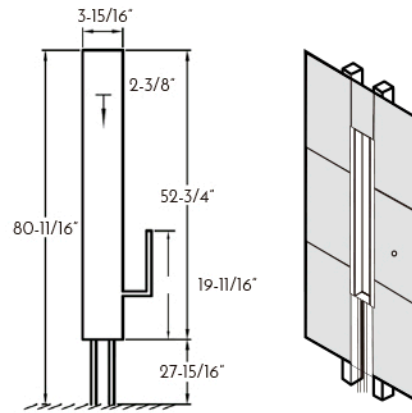




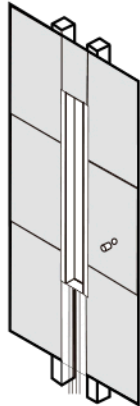
01



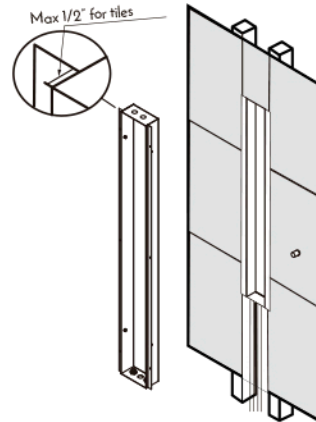
02



03

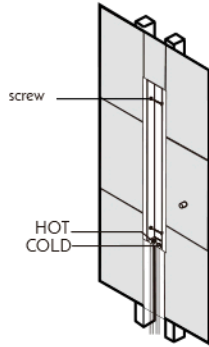


04

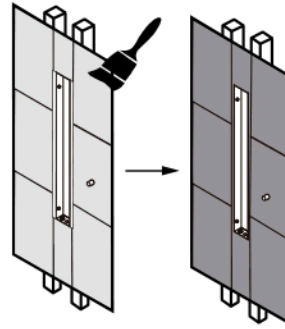




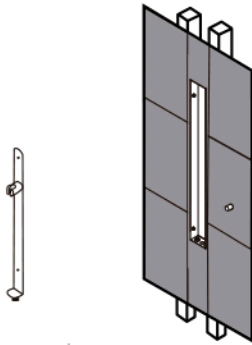
05



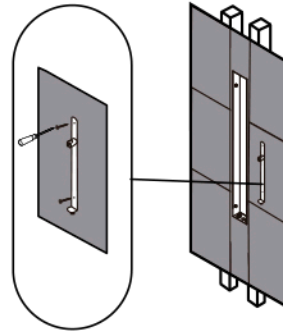
06



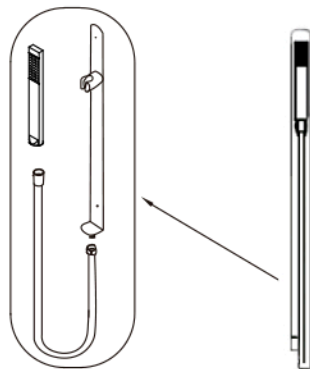
07



08



09



10

