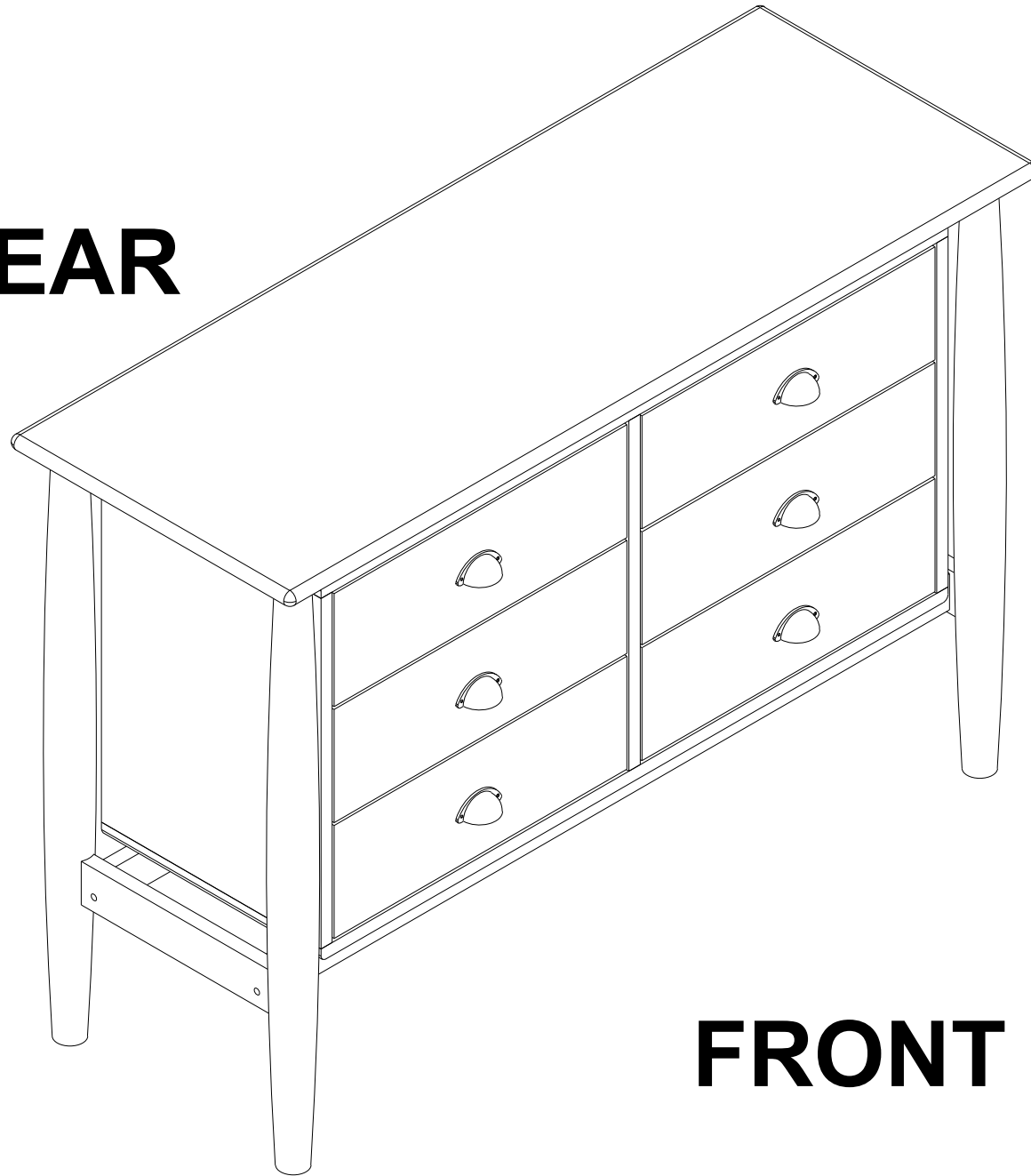


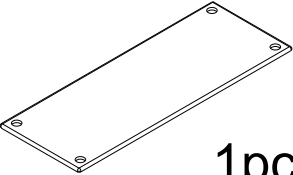

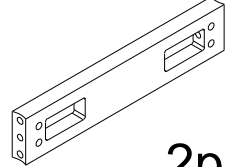
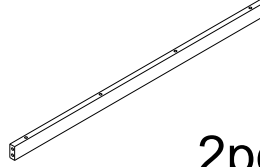
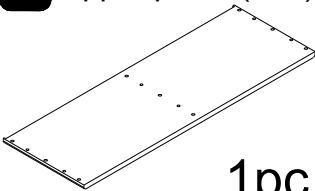
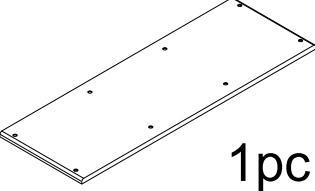
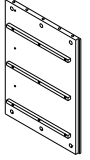
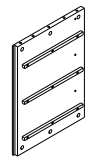
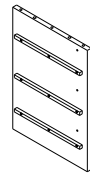
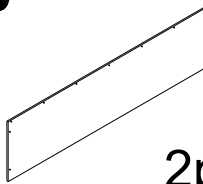
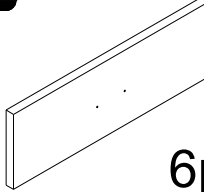
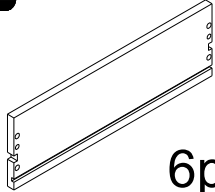
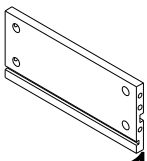
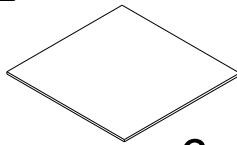
# ASSEMBLY INSTRUCTION

**REAR**

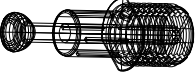




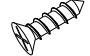
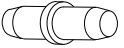
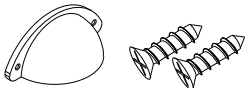

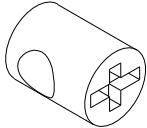
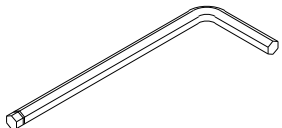
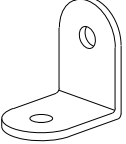
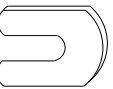


**FRONT**

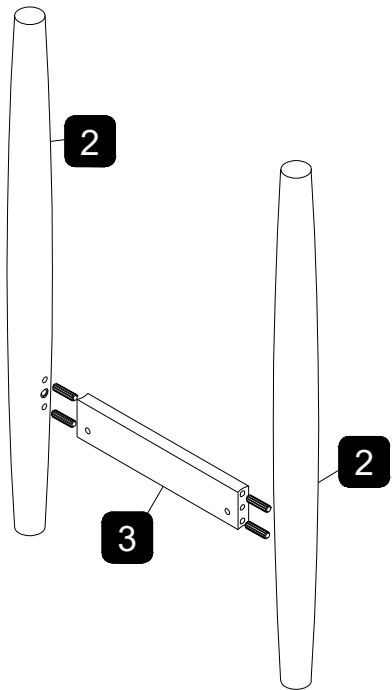
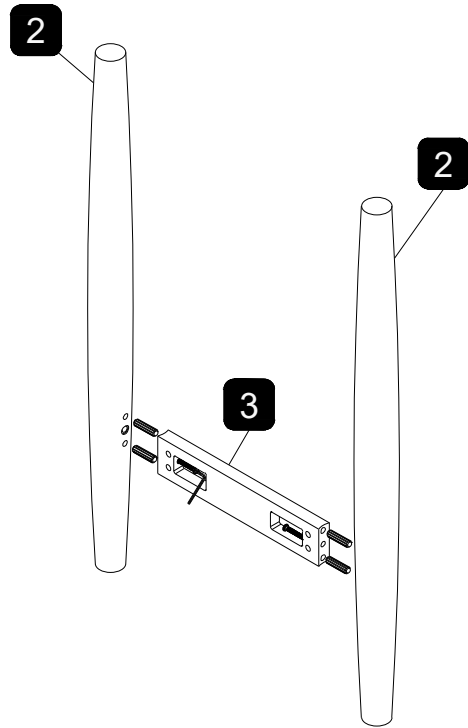
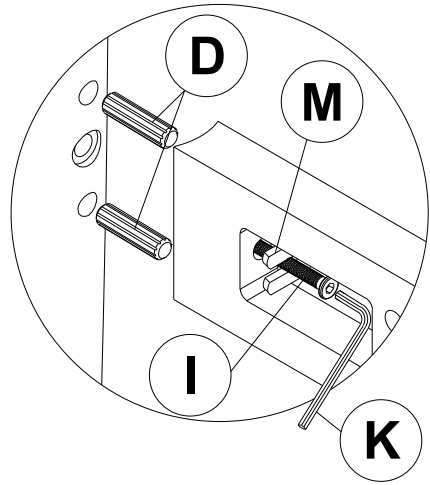
# PART LIST

<b>1</b> Table Top  1pc	<b>2</b> Post  4pcs	<b>3</b> Support Rail  2pcs	<b>4</b> Bottom Rail  2pcs	<b>5</b> Upper panel (Box)  1pc	<b>6</b> Bottom Panel (Box)  1pc
<b>7</b> Side Panel (Left)  1pc	<b>8</b> Side Panel (Right)  1pc	<b>9</b> Division  1pc	<b>10</b> Back Panel  2pcs	<b>11</b> Drawer Front Panel  6pcs	<b>12</b> Drawer Back Panel  6pcs
<b>13</b> Drawer Side Panel  12pcs	<b>14</b> Drawer Base Panel  6pcs				

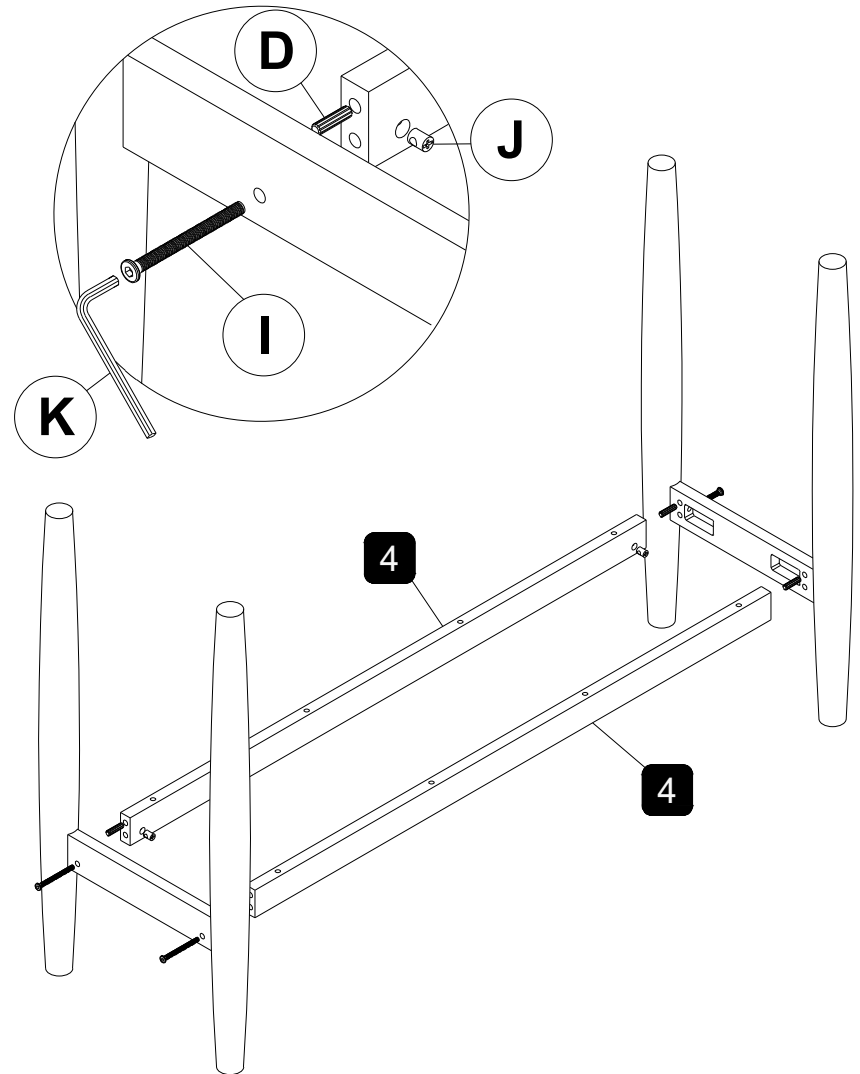
# HARDWARE LIST

<p><b>A</b> MINI FIX SPREADING BOLT 24MM</p>  <p>66pcs</p>	<p><b>B</b> MINIFIX HOUSING Ø15*12MM</p>  <p>18pcs</p>	<p><b>C</b> MINIFIX HOUSING Ø15*10MM</p>  <p>48pcs</p>	<p><b>D</b> WOOD DOWEL M8*30MM</p>  <p>48pcs</p>	<p><b>E</b> PAN HEAD M3.5*16MM</p>  <p>22pcs</p>	<p><b>F</b> CSK SCREW M3.5*16MM</p>  <p>8pcs</p>
<p><b>G</b> SHELF SUPPORT</p>  <p>12pcs</p>	<p><b>H</b> HANDLE</p>  <p>6sets</p>	<p><b>I</b> JCBC M6X50MM</p>  <p>16pcs</p>	<p><b>J</b> Barrel Nut</p>  <p>4pcs</p>	<p><b>K</b> M4 ALLEN KEY WITH BALL</p>  <p>1pc</p>	<p><b>L</b> L bracket</p>  <p>4pcs</p>
<p><b>M</b> U WASHER</p>  <p>4pcs</p>					

# STEP 1



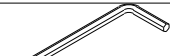
# STEP 2



D X 8pcs



I X 4pcs



K X 1pc



M X 4pcs



D X 4pcs



I X 4pcs

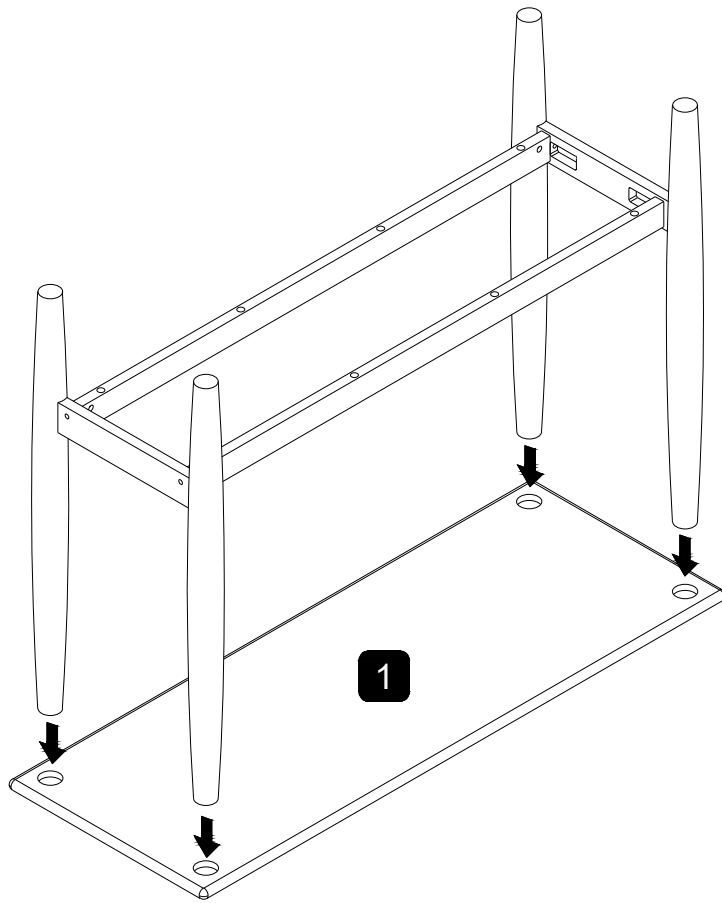


J X 4pcs

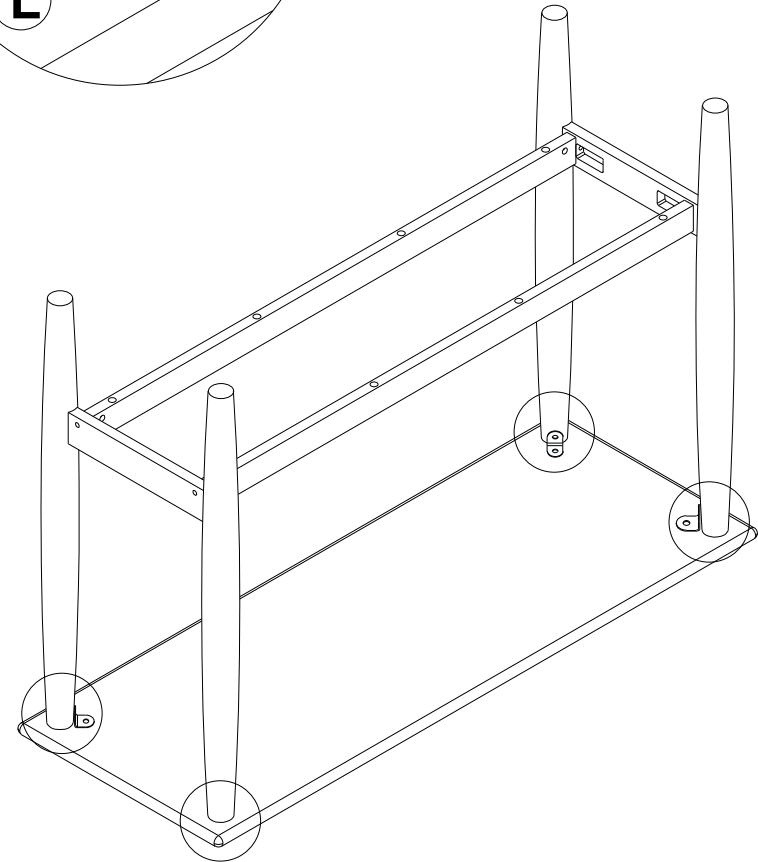
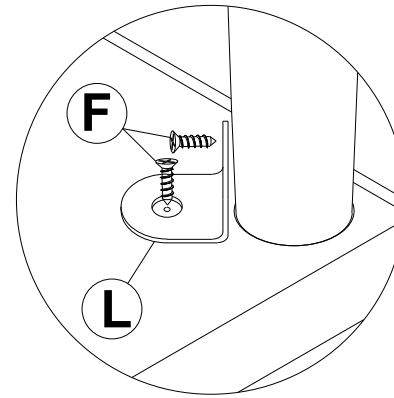


K X 1pc

# STEP 3



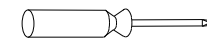
# STEP 4



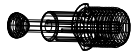
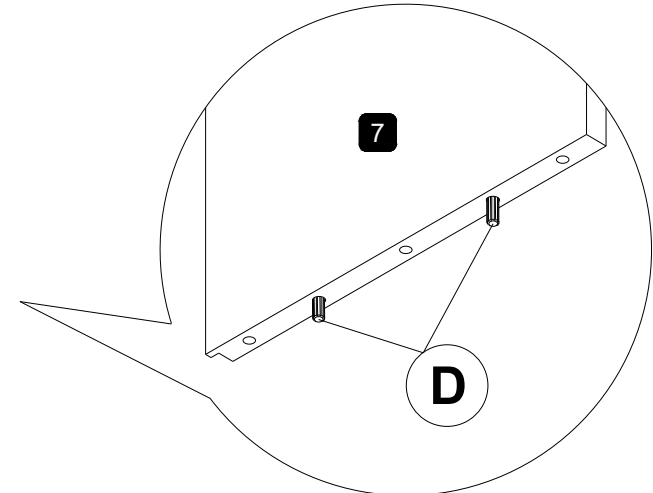
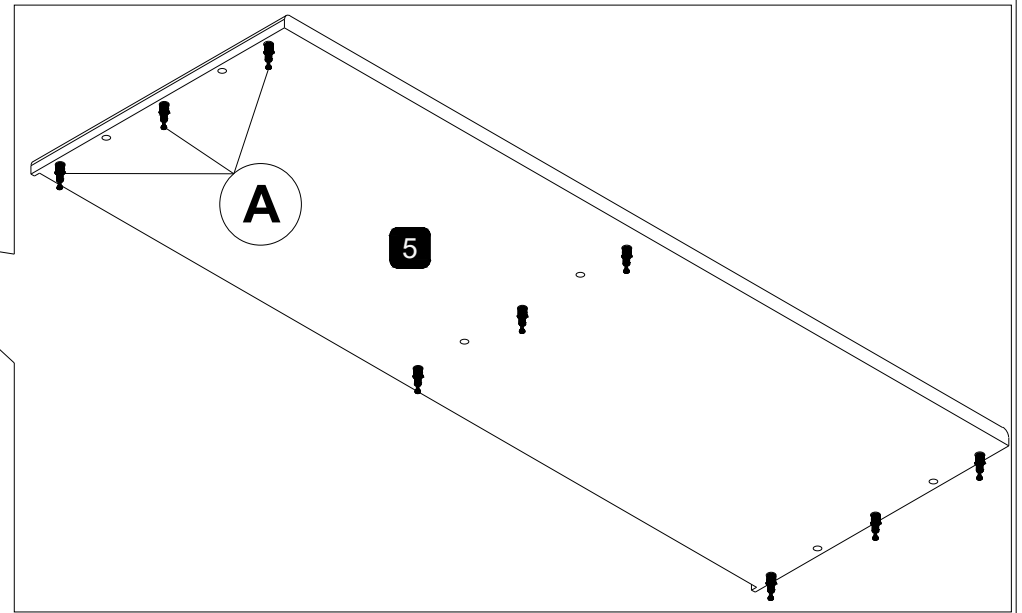
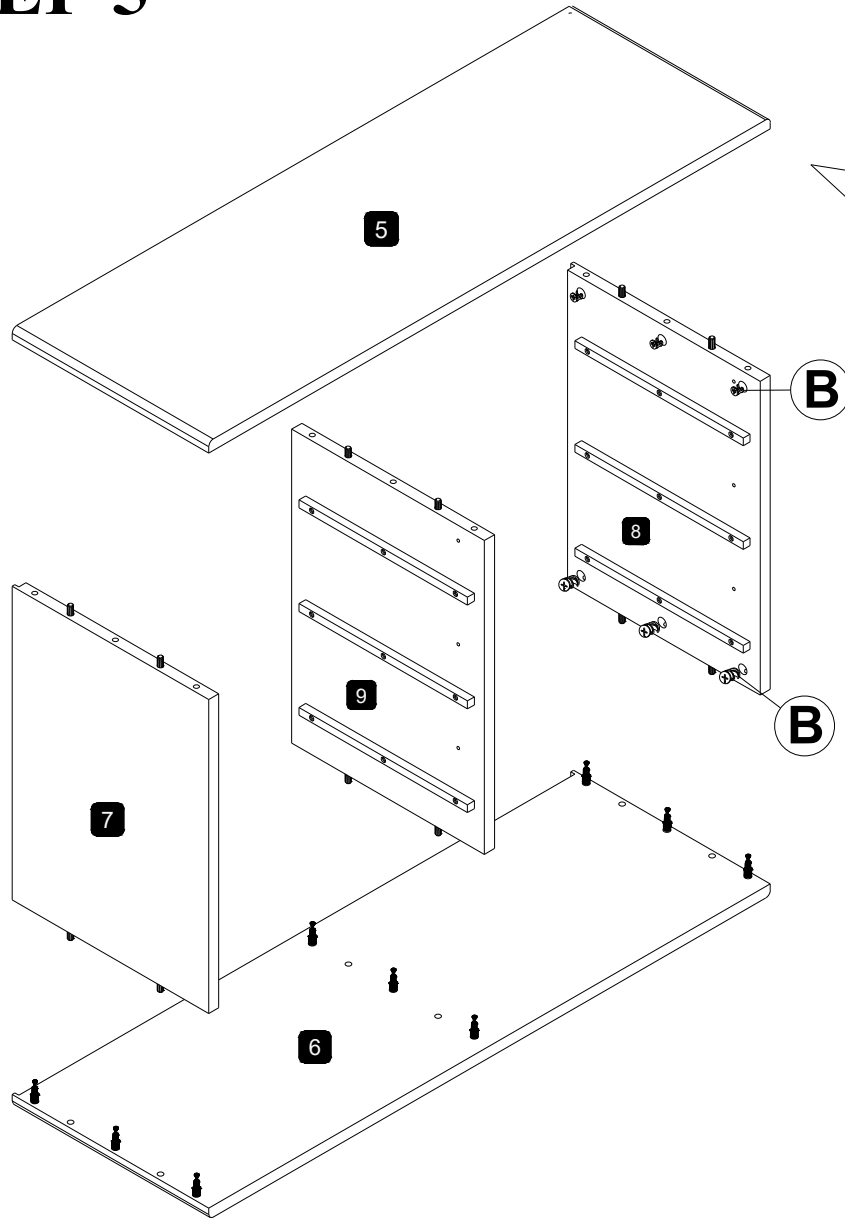
L X 4pcs



F X 8pcs



# STEP 5



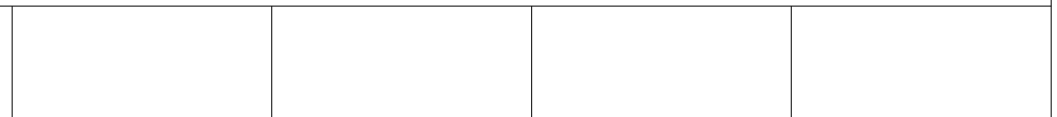
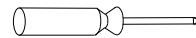
A X 18pcs



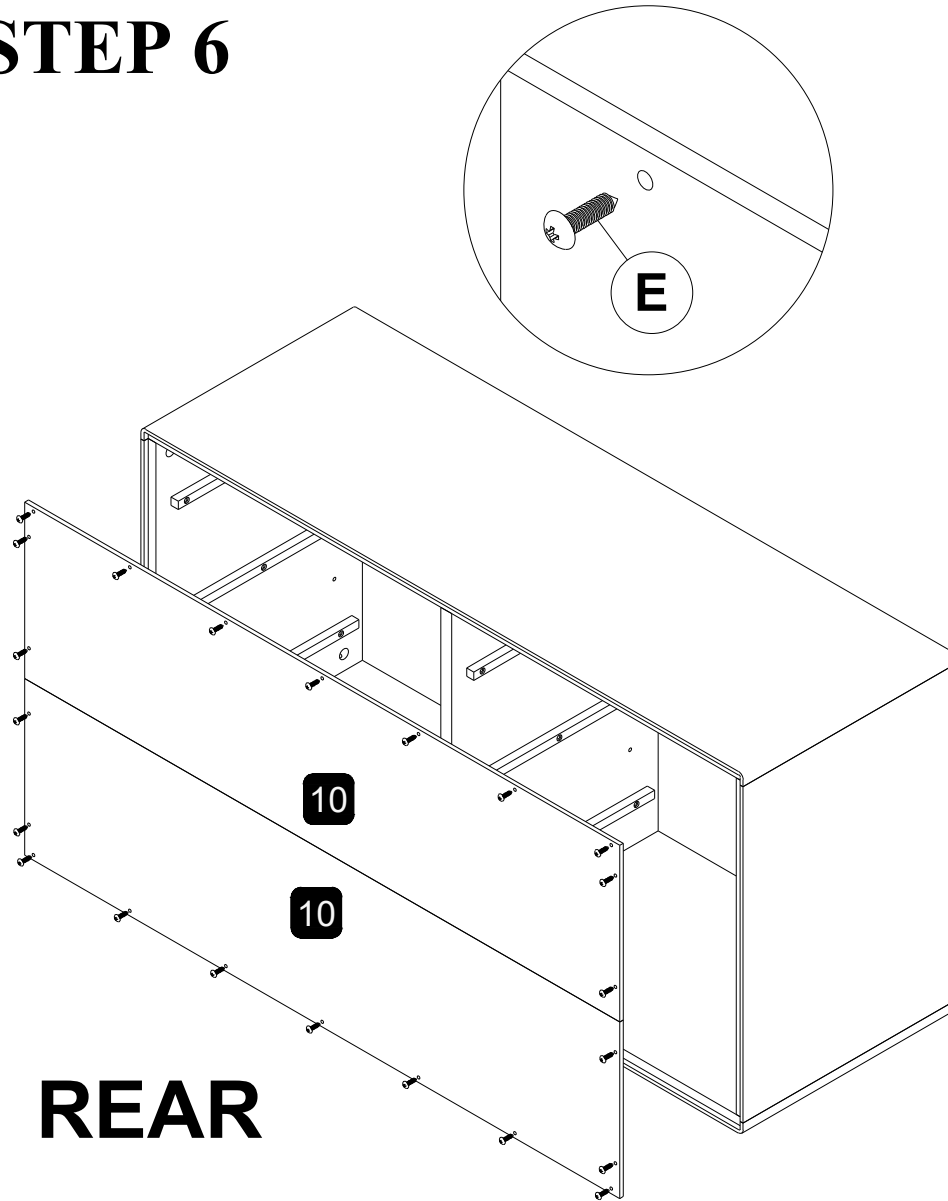
B X 18pcs



D X 12pcs

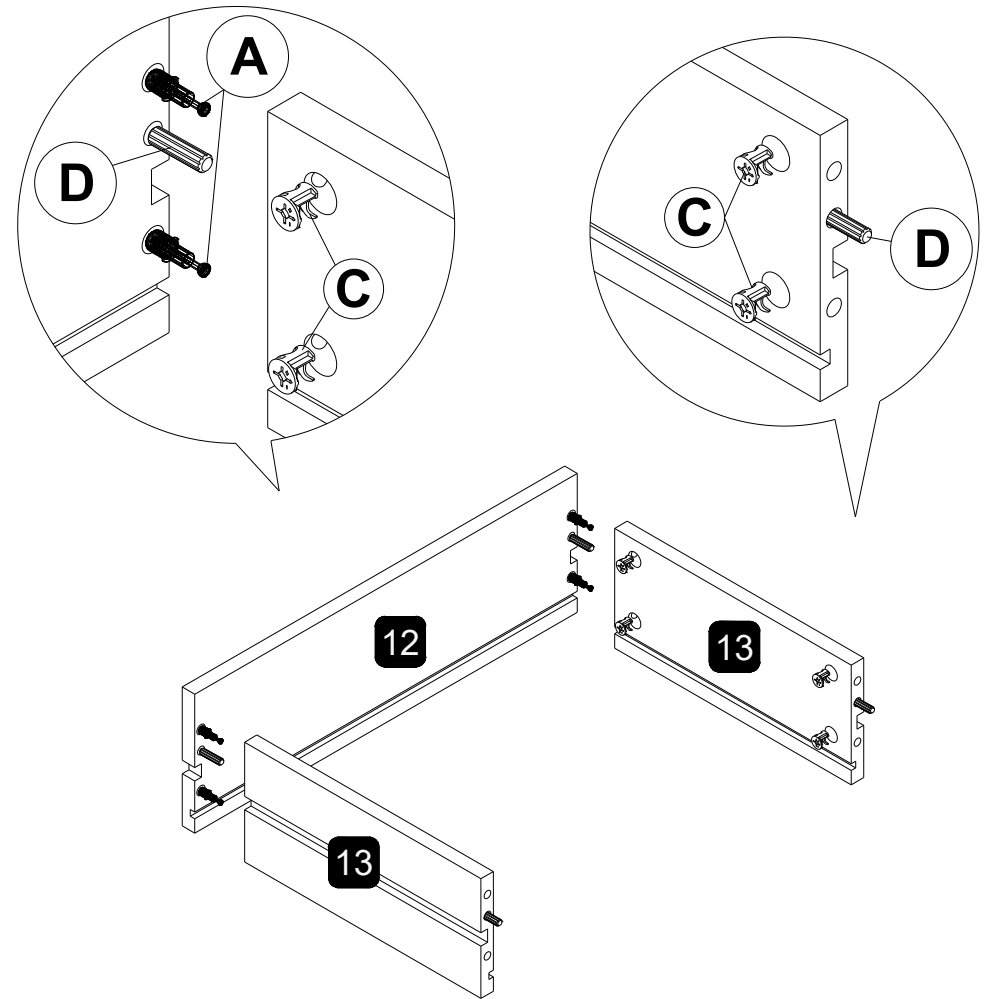


# STEP 6

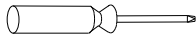



**REAR**

# STEP 7




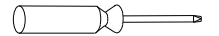
  
E X 22pcs



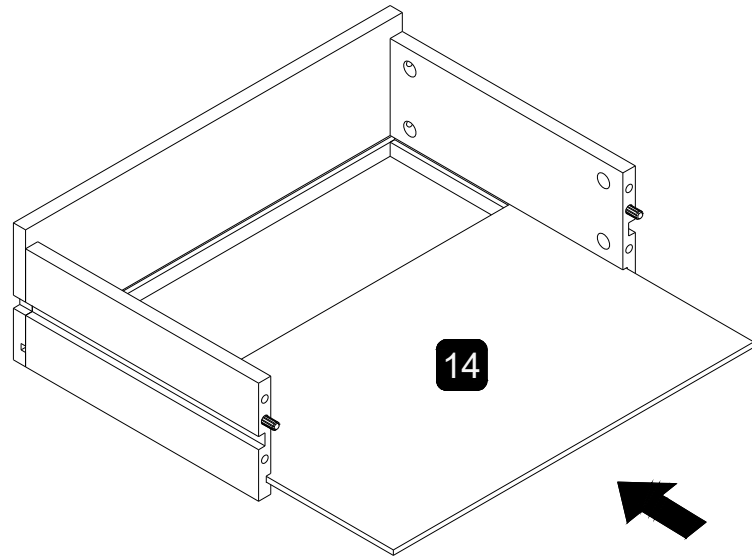
  
A X 24pcs

  
C X 48pcs

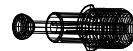
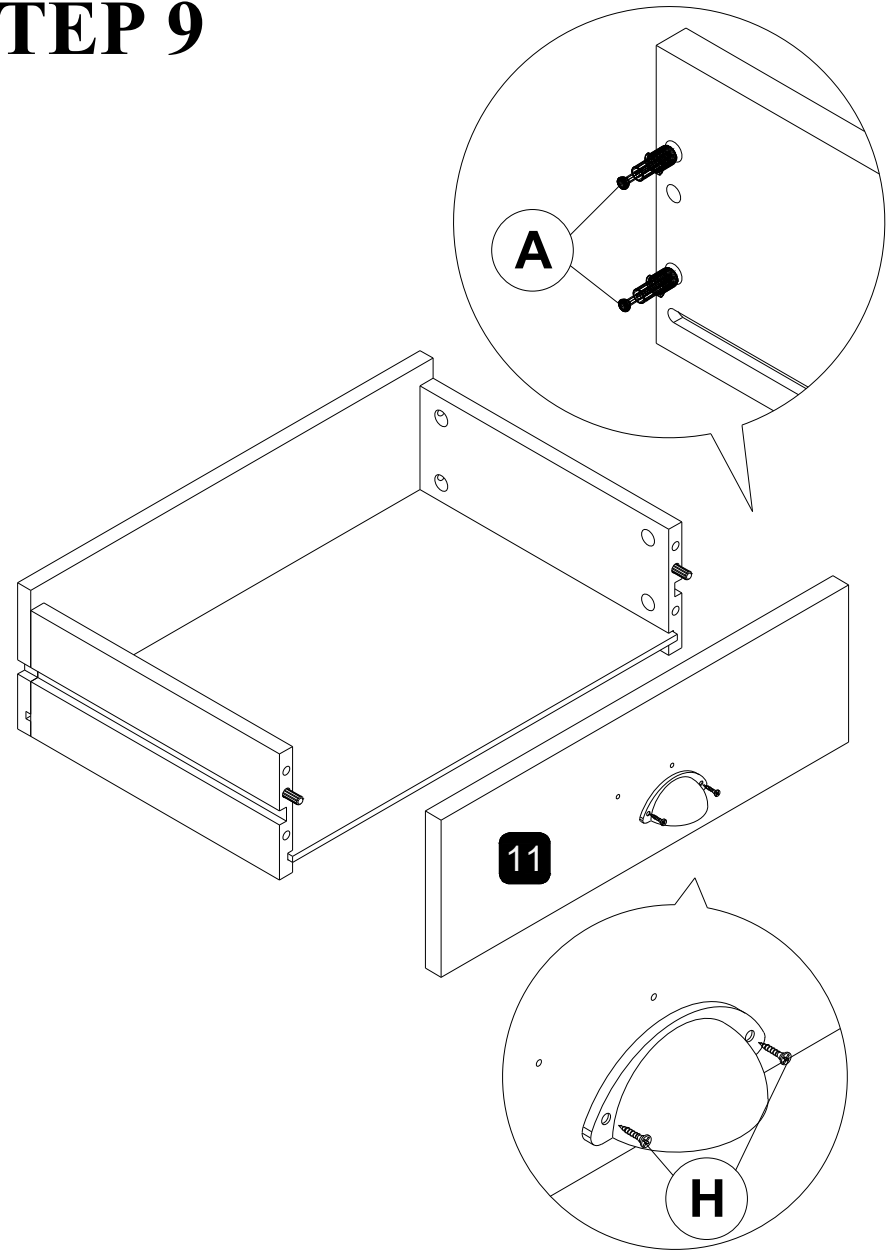
  
D X 24pcs



# STEP 8



# STEP 9



A X 24pcs



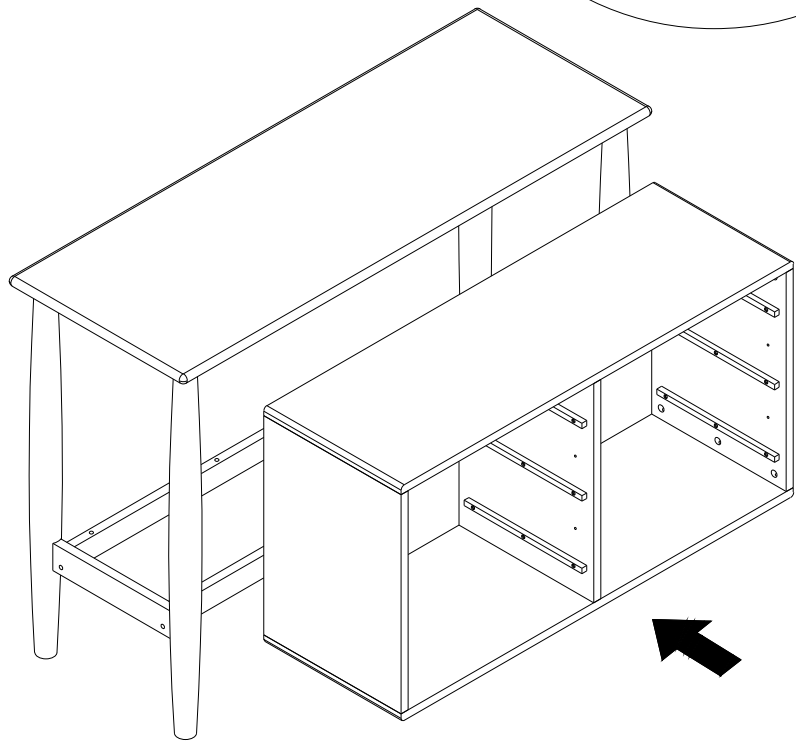
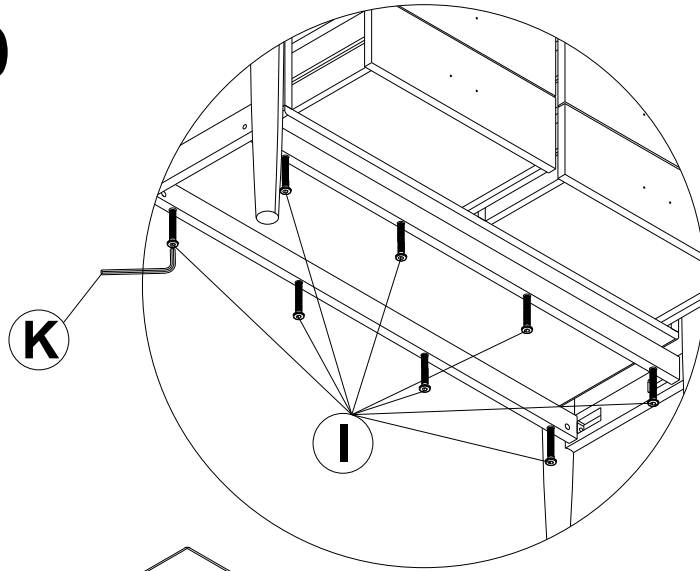
F X 12pcs



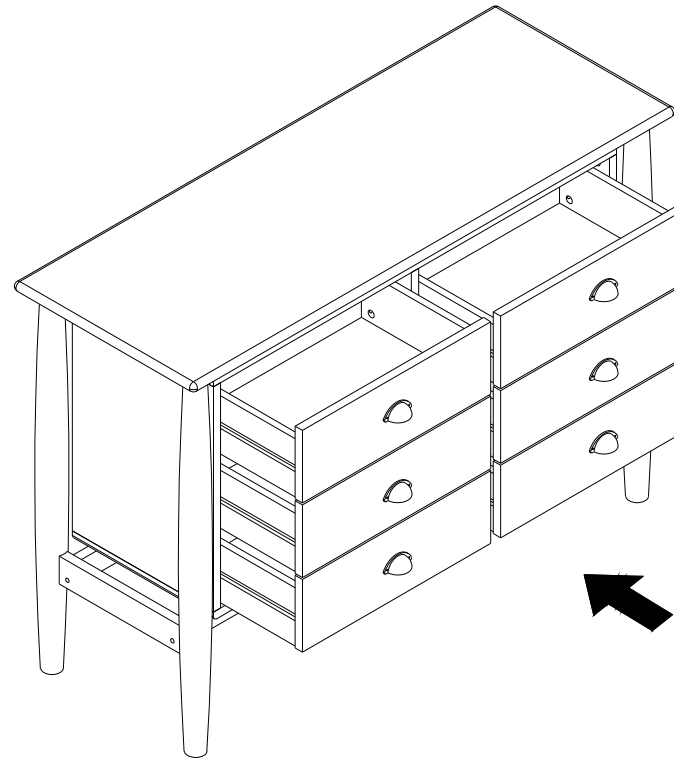
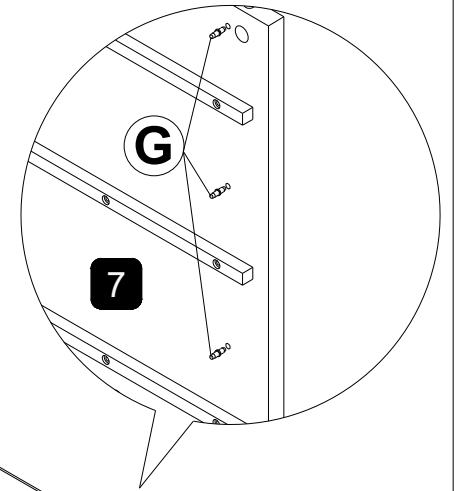
H X 6sets




# STEP 10




# STEP 11



  
I X 8pcs

  
K X 1pc

  
G X 12pcs

**ASSEMBLY COMPLETE**

