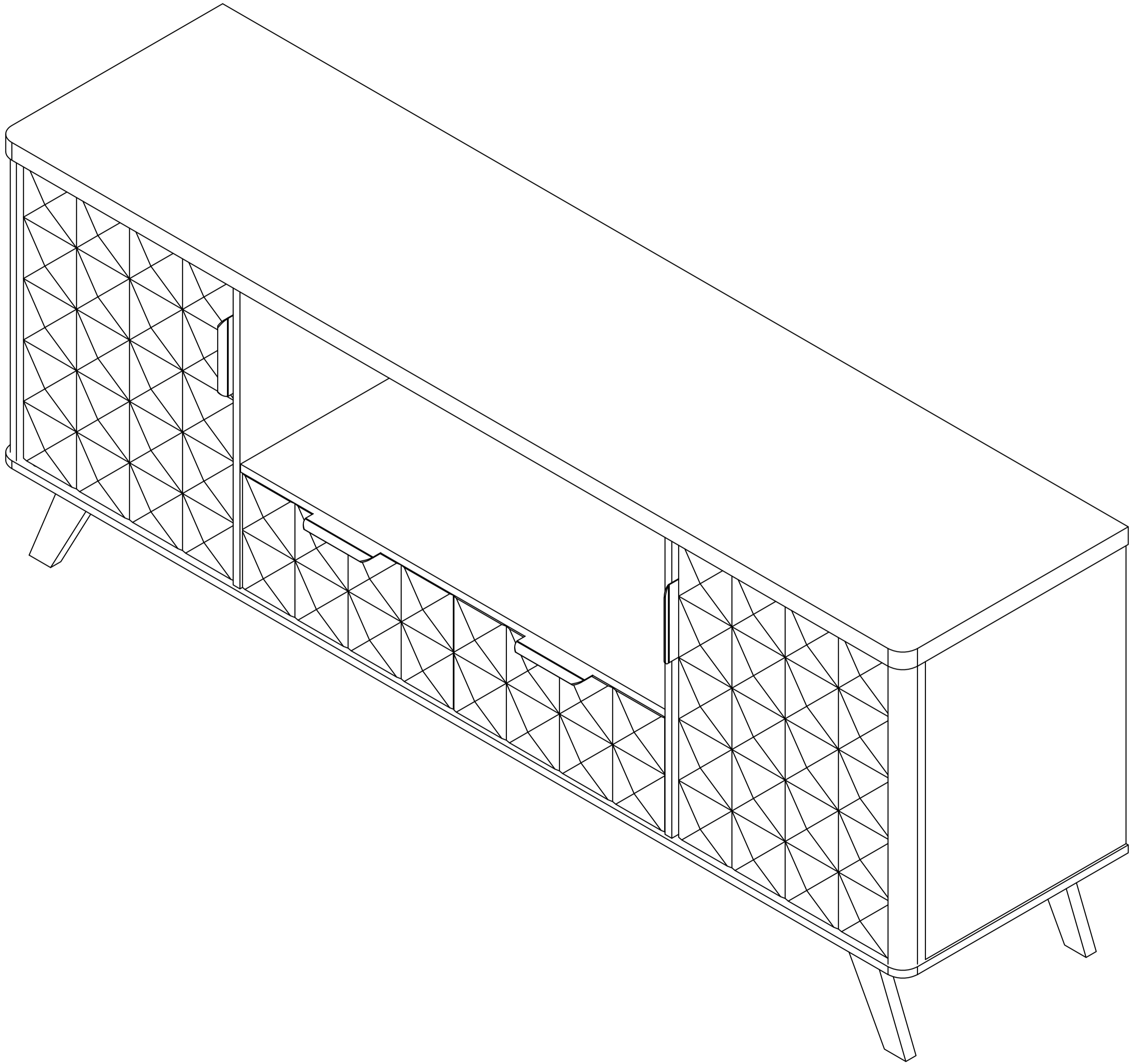
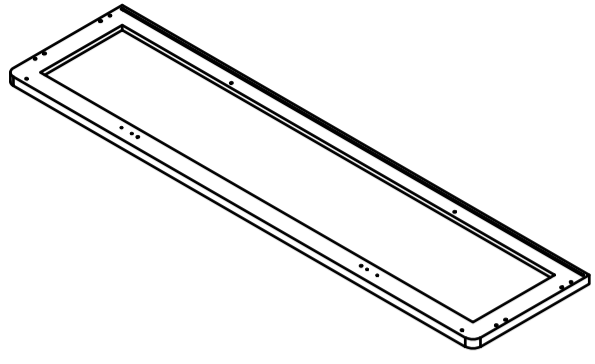
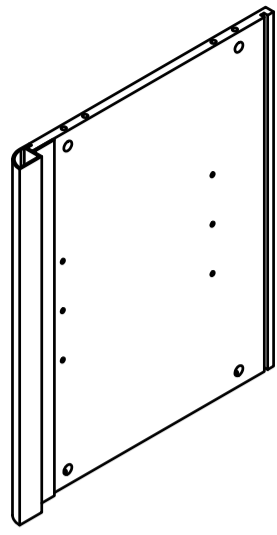


# Product Installation Instructions

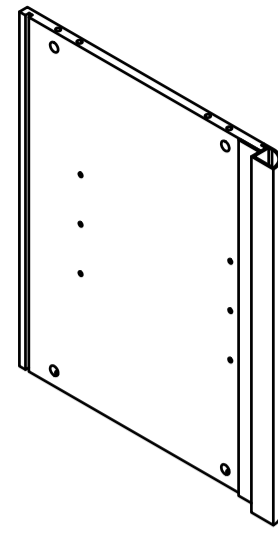




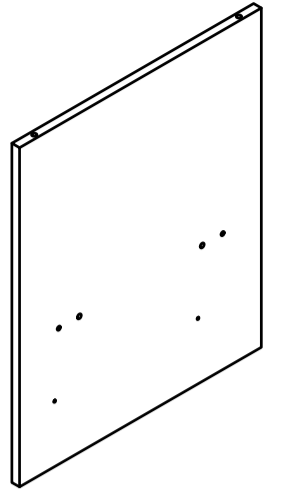
1x1



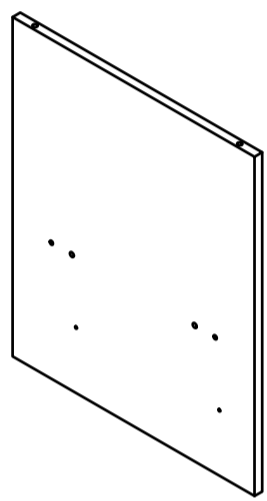
2x1



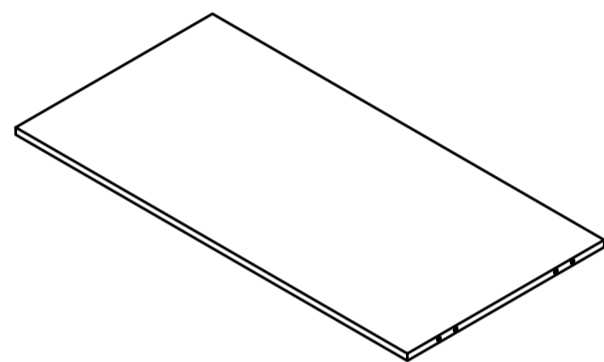
3x1



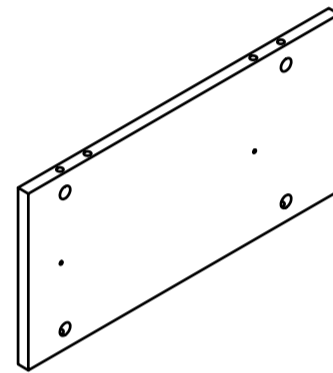
4x1



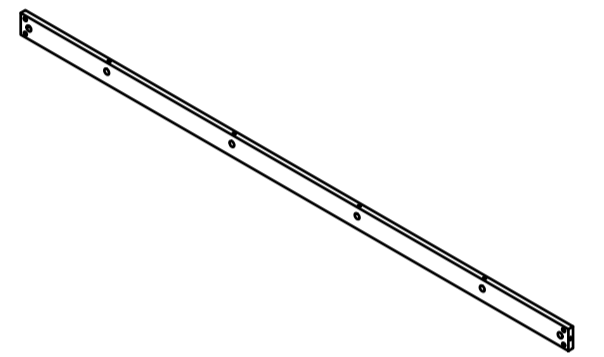
5x1



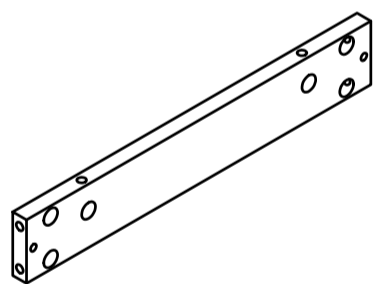
6x1



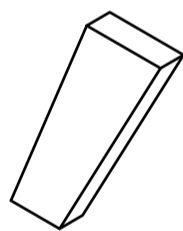
7x1



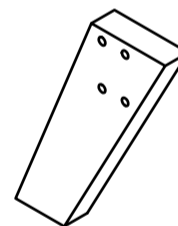
8x2



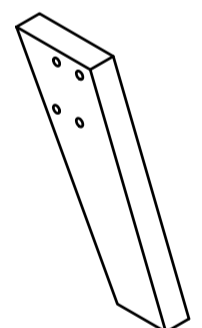
9x2



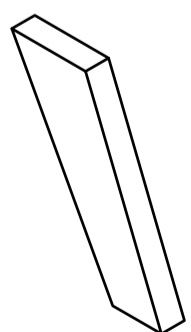
10x1



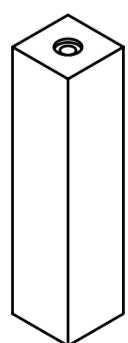
11x1



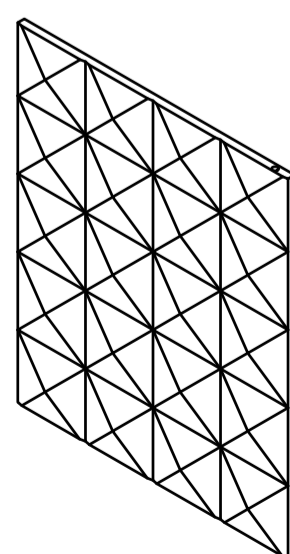
12x1



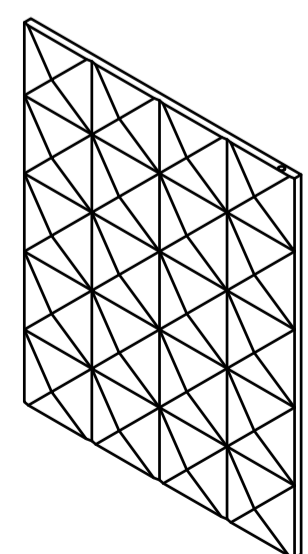
13x1



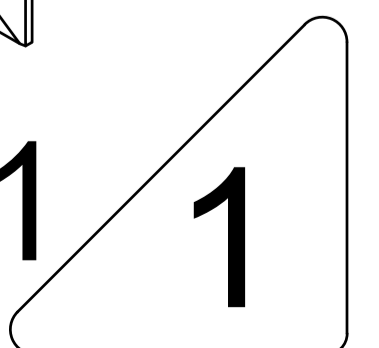
14x1



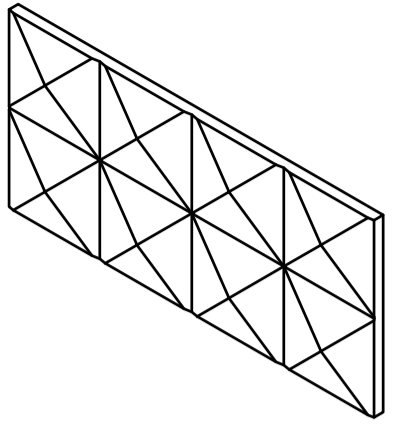
15x1



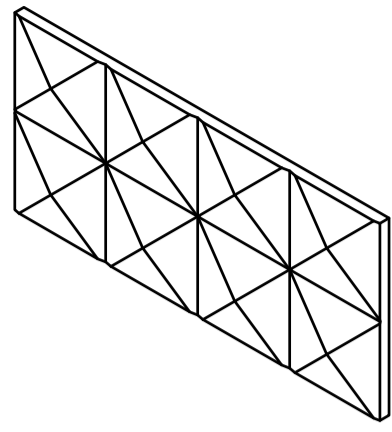
16x1



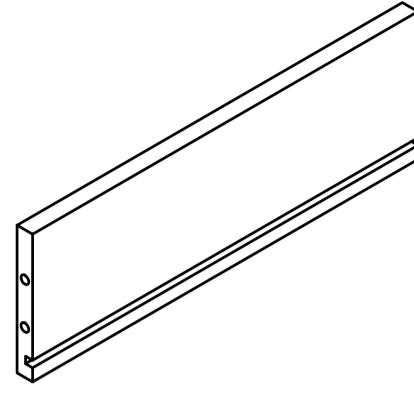
1



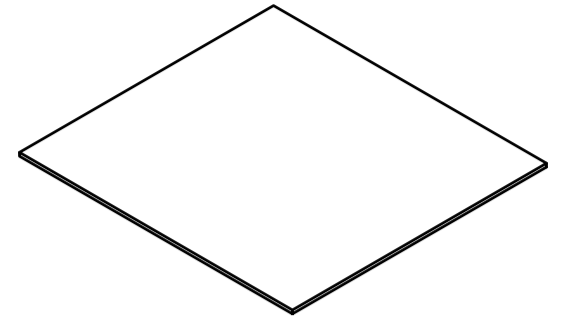
17x1



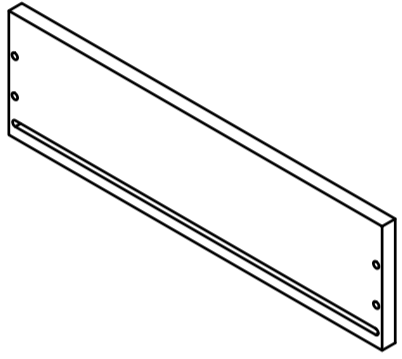
18x1



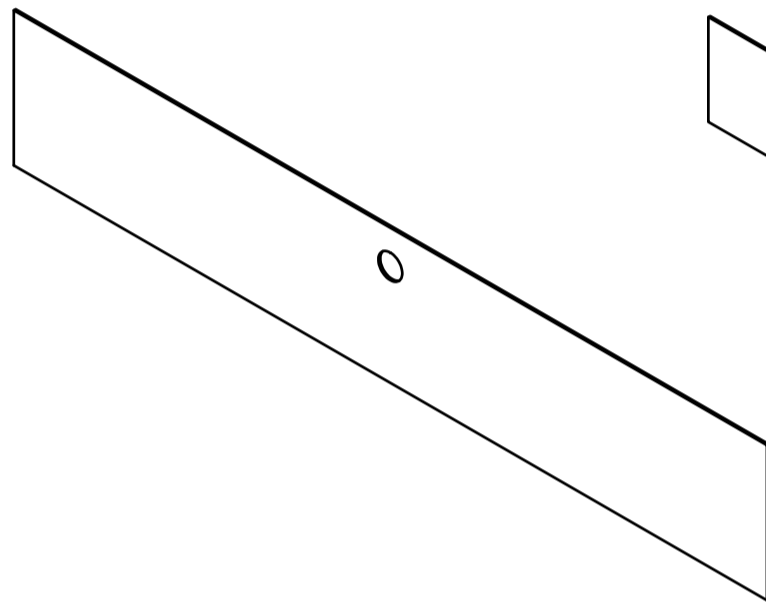
19x4



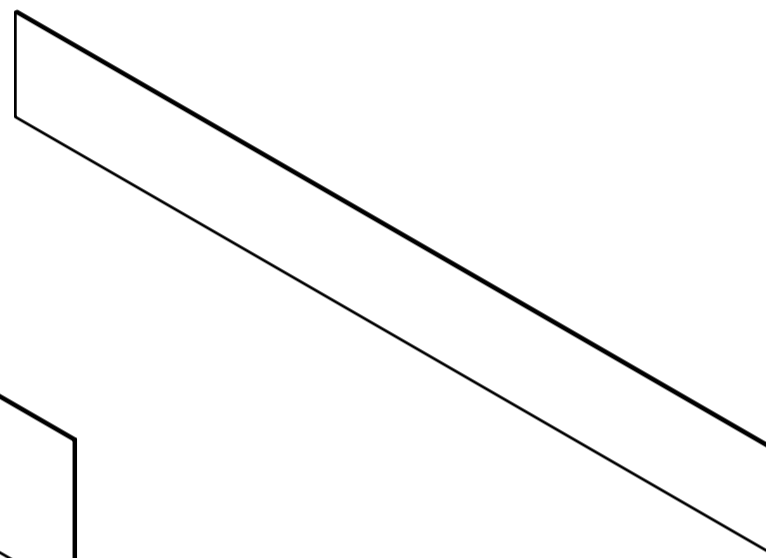
20x2



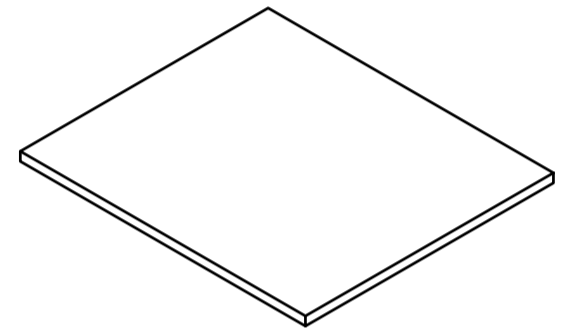
21x2



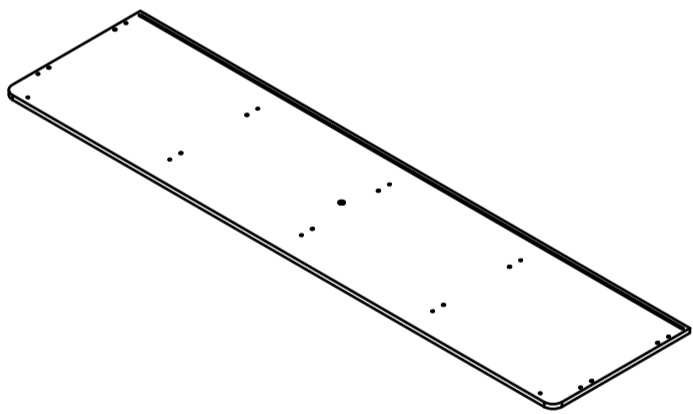
22x1



23x1

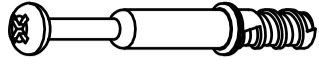

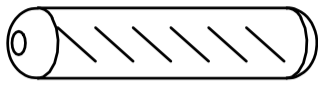
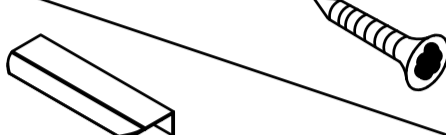
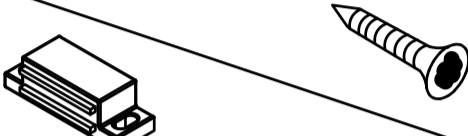
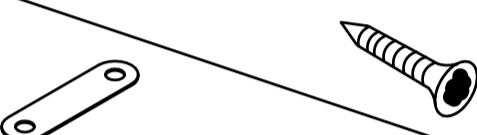
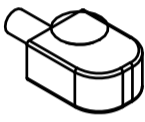

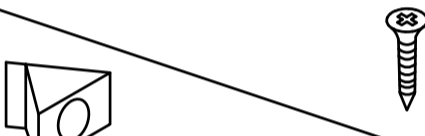
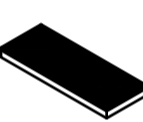








24x2



25x1

# Accessories list

A		Two In One Screw (6x28mm)	64pcs +3pcs
B		Two In One Nut (10x12mm)	64pcs +3pcs
C		Wood Chipping (6x30mm)	20pcs +2pcs
D		Handle & screw (3x12mm)	4pcs / 8pcs
E		Door Magnet & Screw(3X16mm)	2pcs / 4pcs
F		Iron Sheet & Screw(3x12mm)	2pcs / 4pcs
G		Laminate support nail	8pcs
H		Screw & Guide (12 inch) (3x12mm)	4pcs / 24pcs
J		Back plate buckle & Screw 3x16mm	16pcs / 16pcs
M		Foot rubber pad(35x15x2mm)	4pcs
N		Door shaft	4pcs
O		Screw (7x28mm)	8pcs
P		Screw (6x30mm)	1pcs
Q		length=783	2pcs
R		Needle	1pcs
S		Foot rubber pad(36x36x2mm)	1pcs

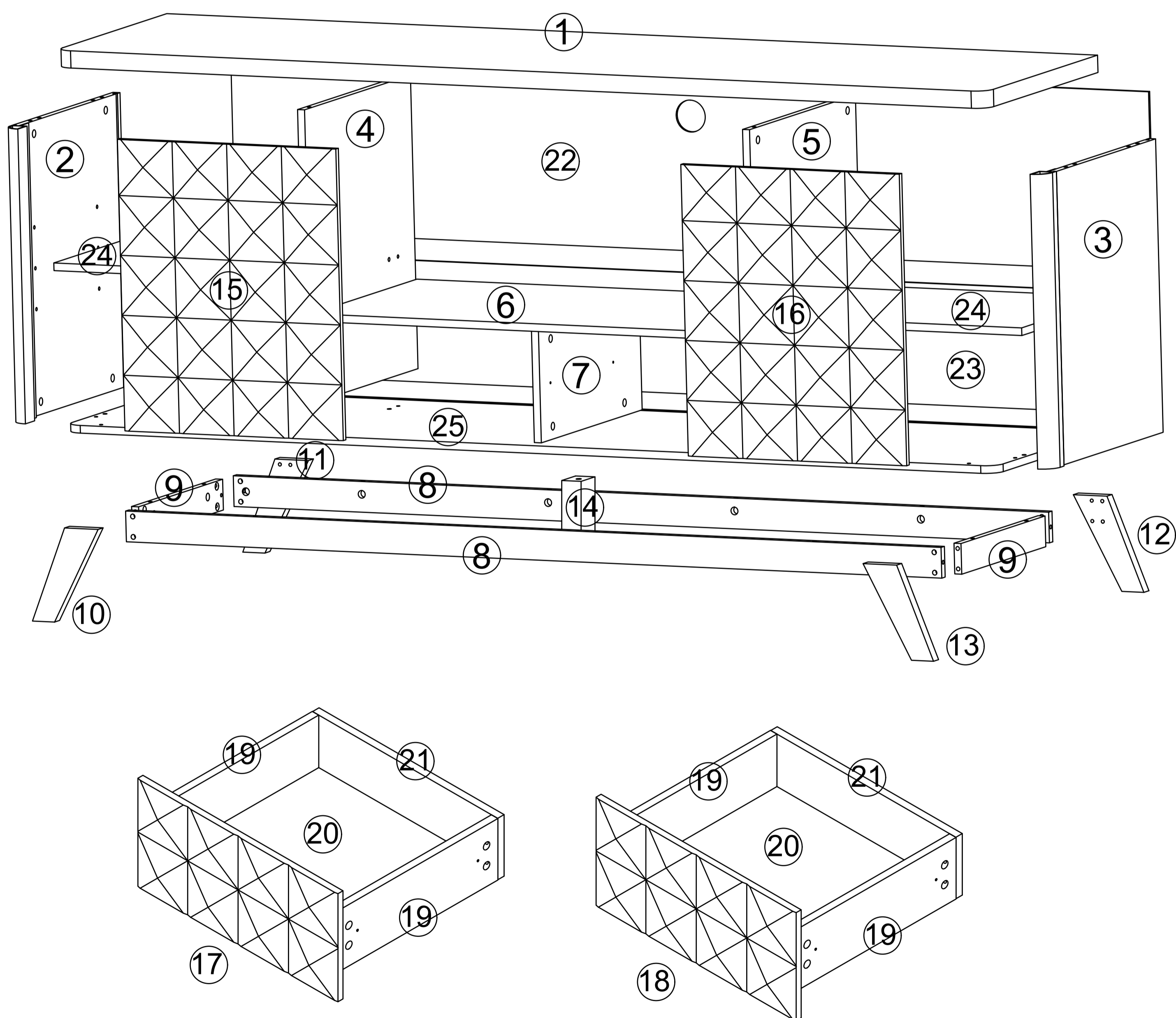
T



1pcs

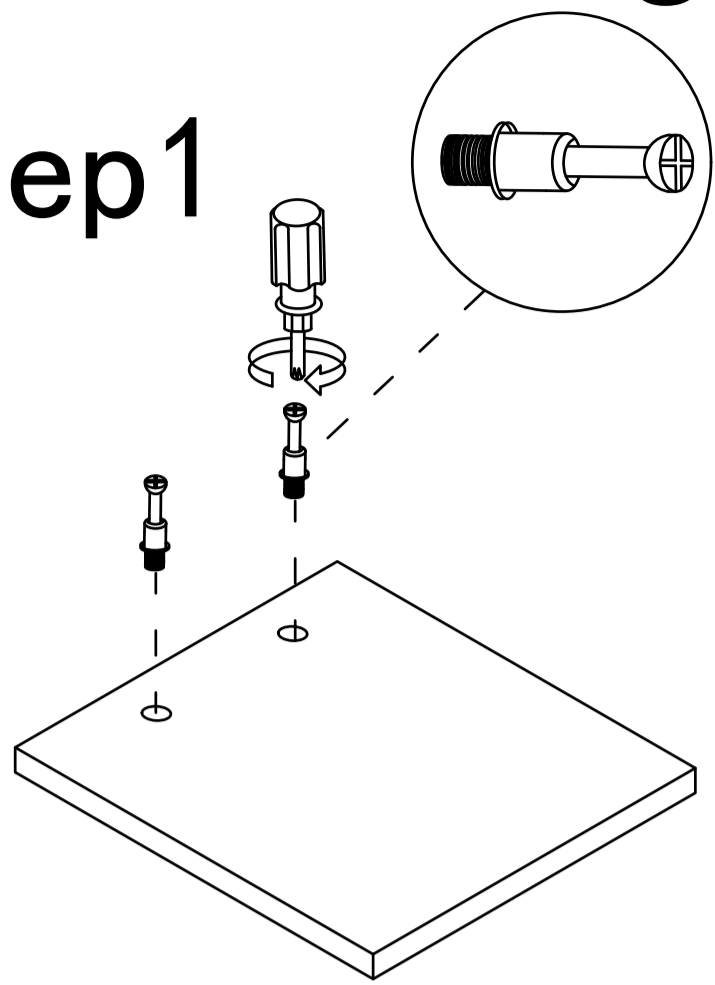
Double-head screwdriver, use as required

# Product structure decomposition

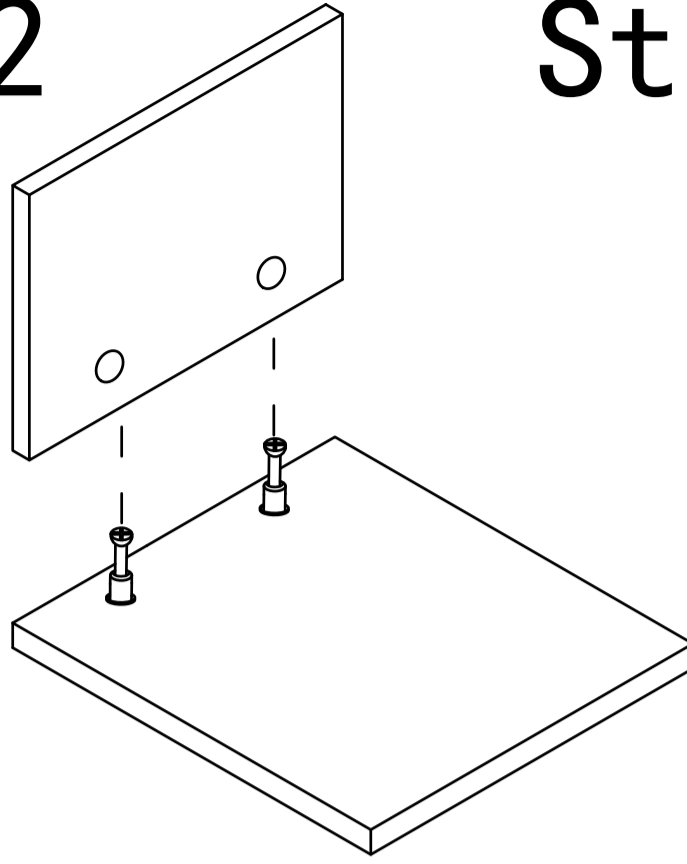


# Use parts ① and ②

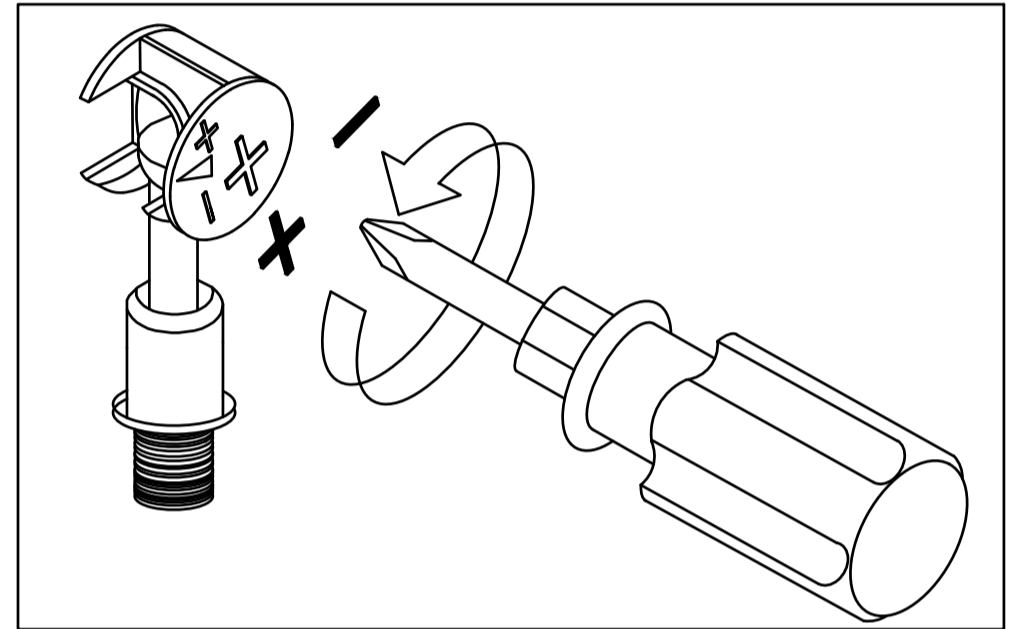
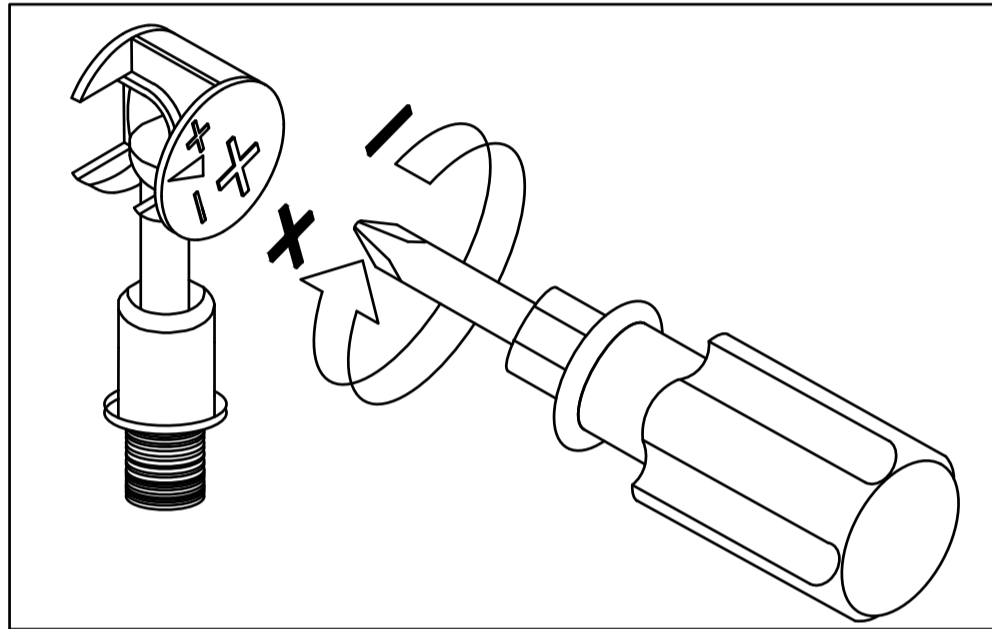
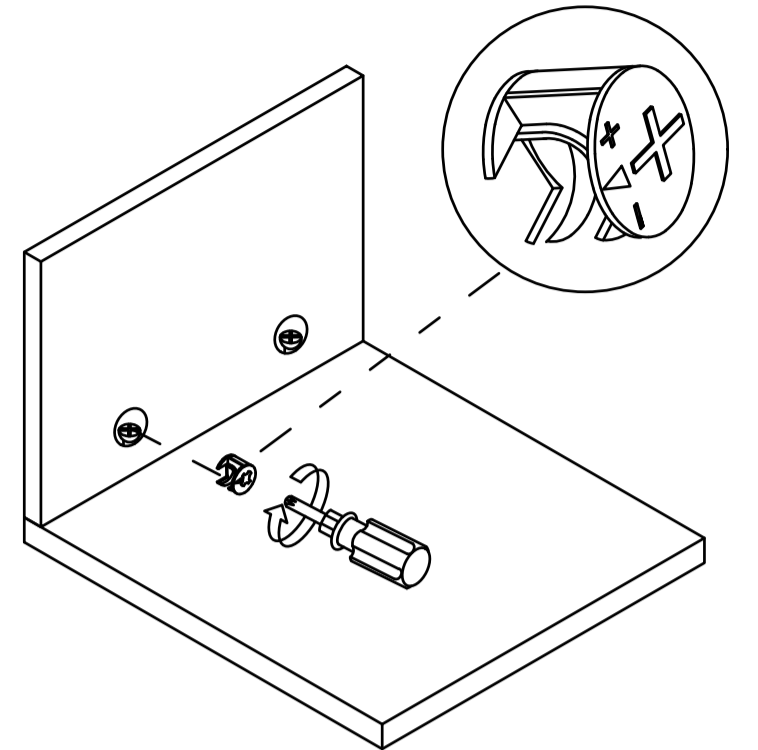
Step 1



Step 2



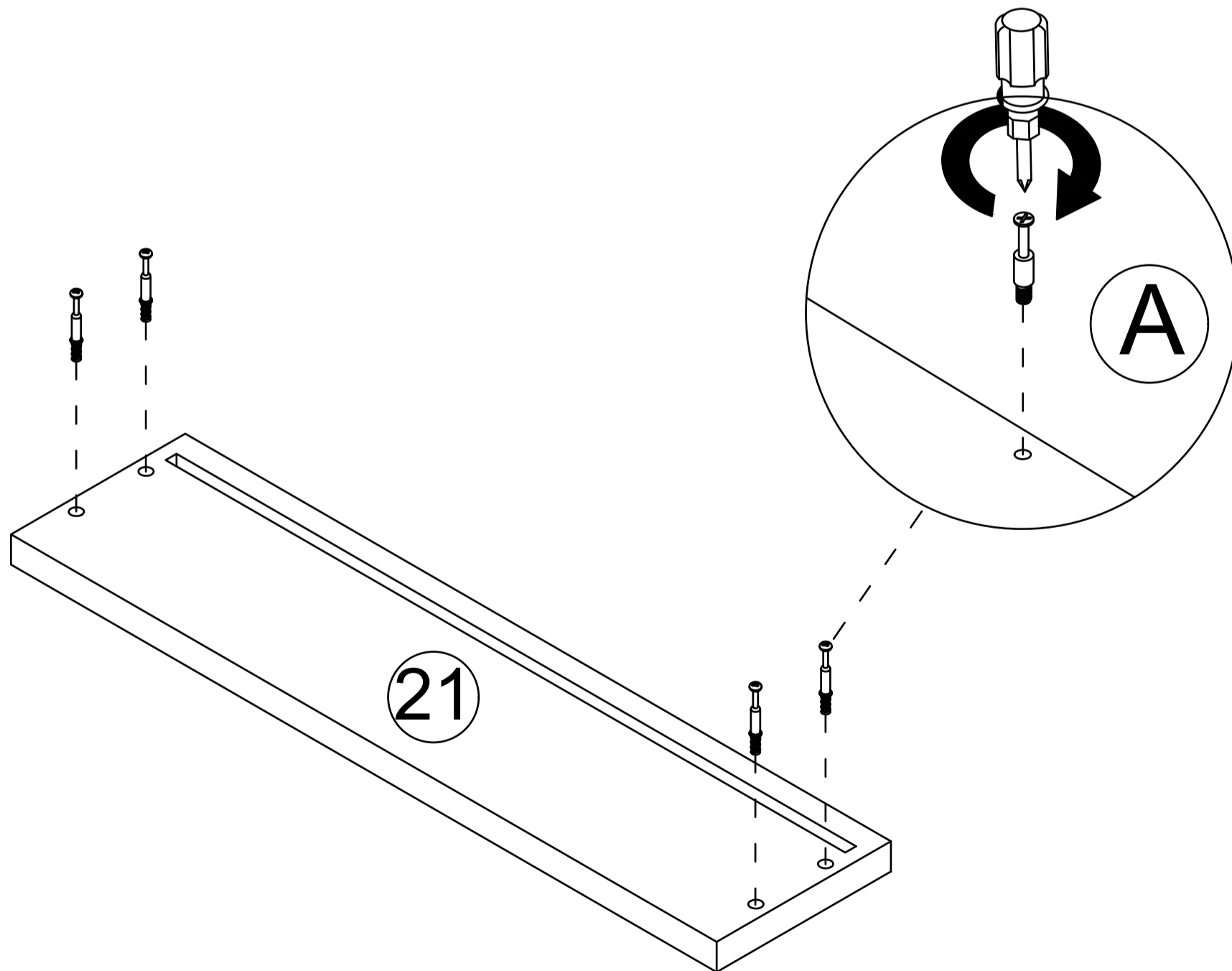
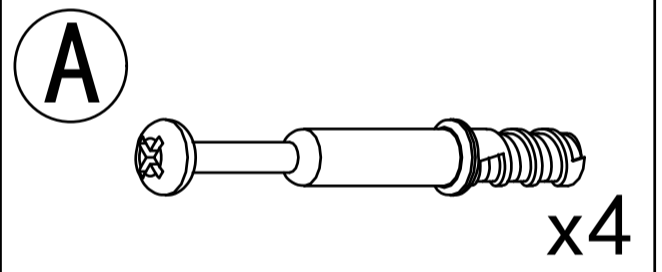
Step 3




Use a screwdriver to lock in the direction of the "+" sign

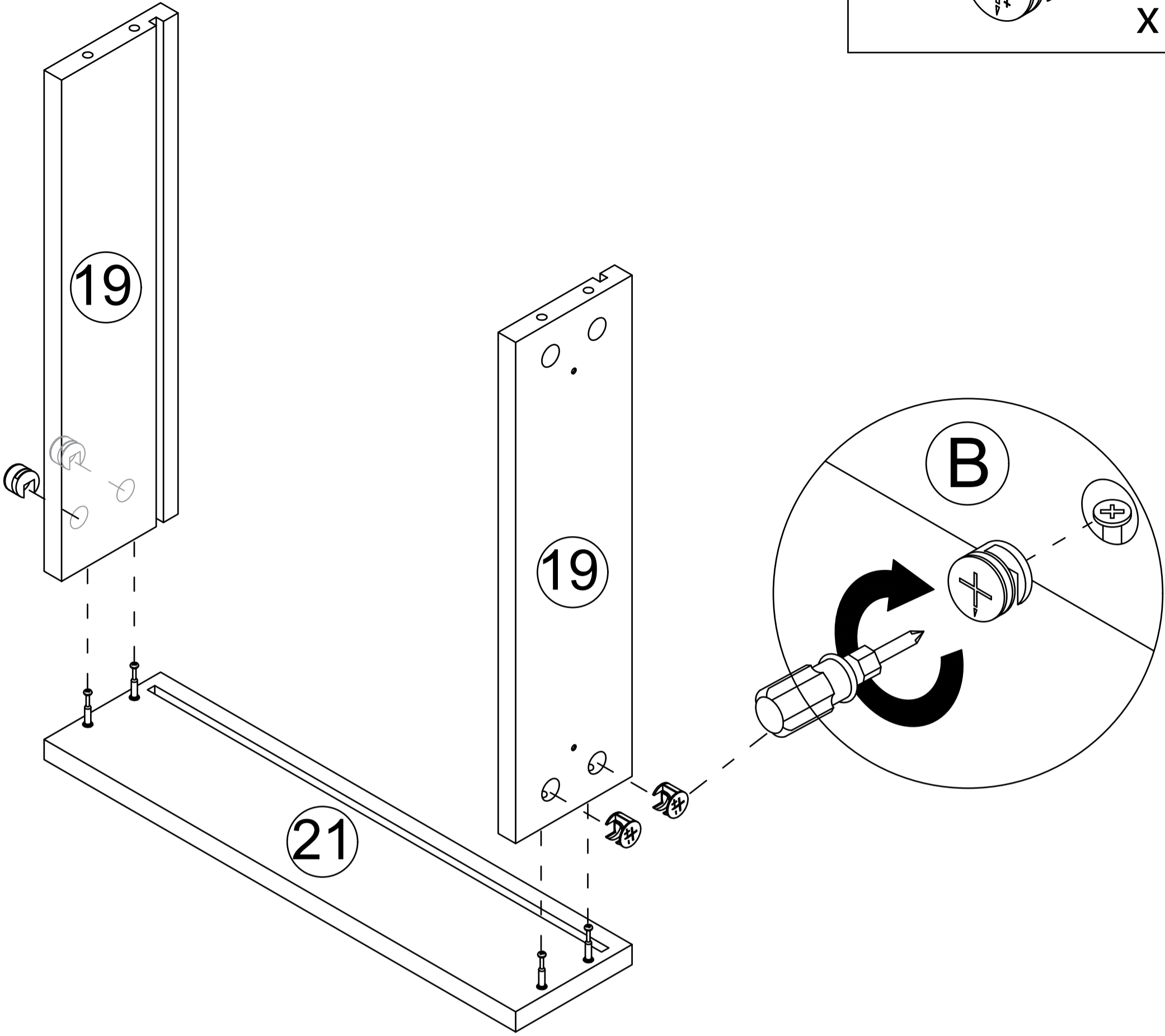
Disassemble along the direction of "-" sign

Step 1

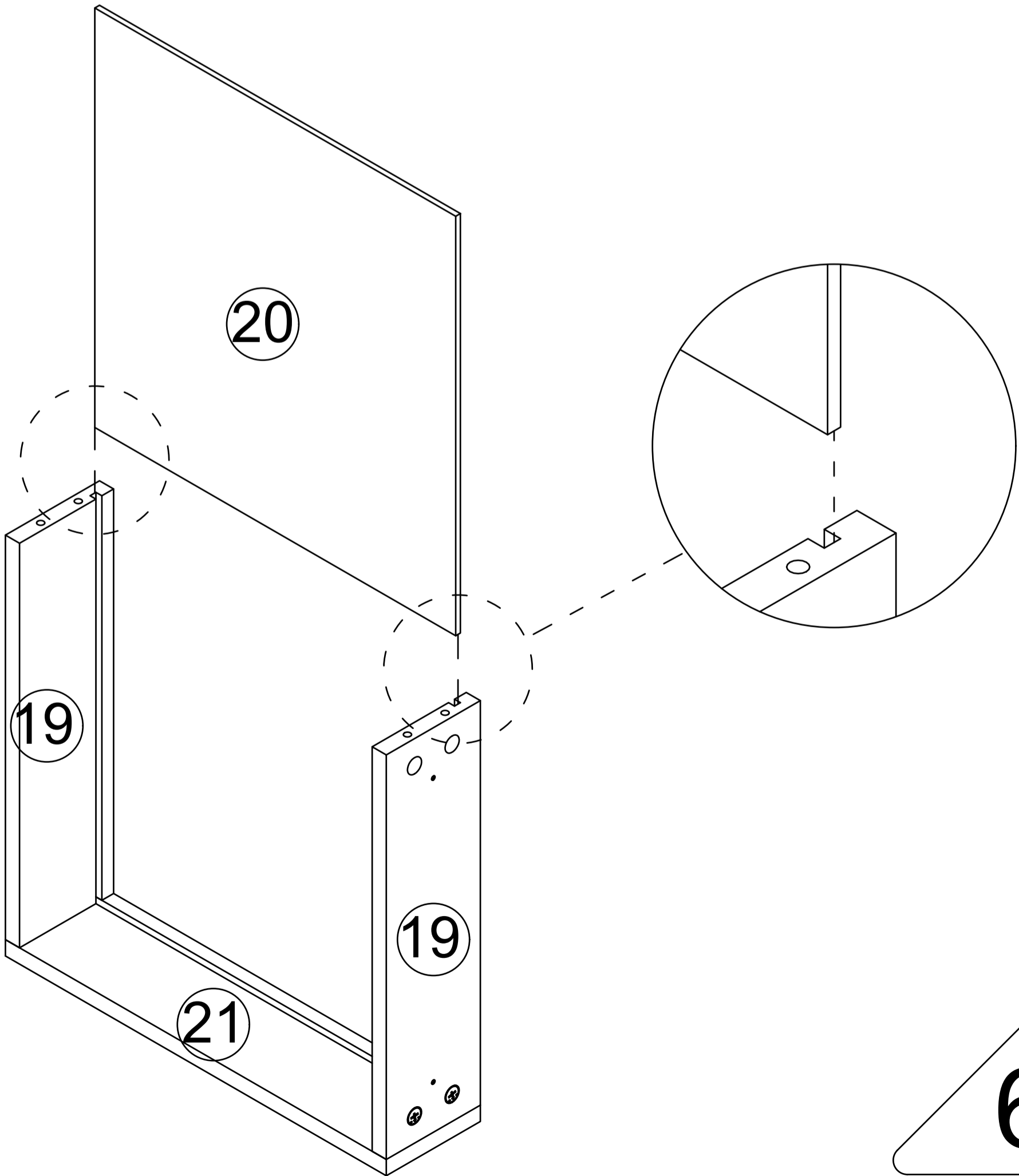


Step 2

**B**  x 4

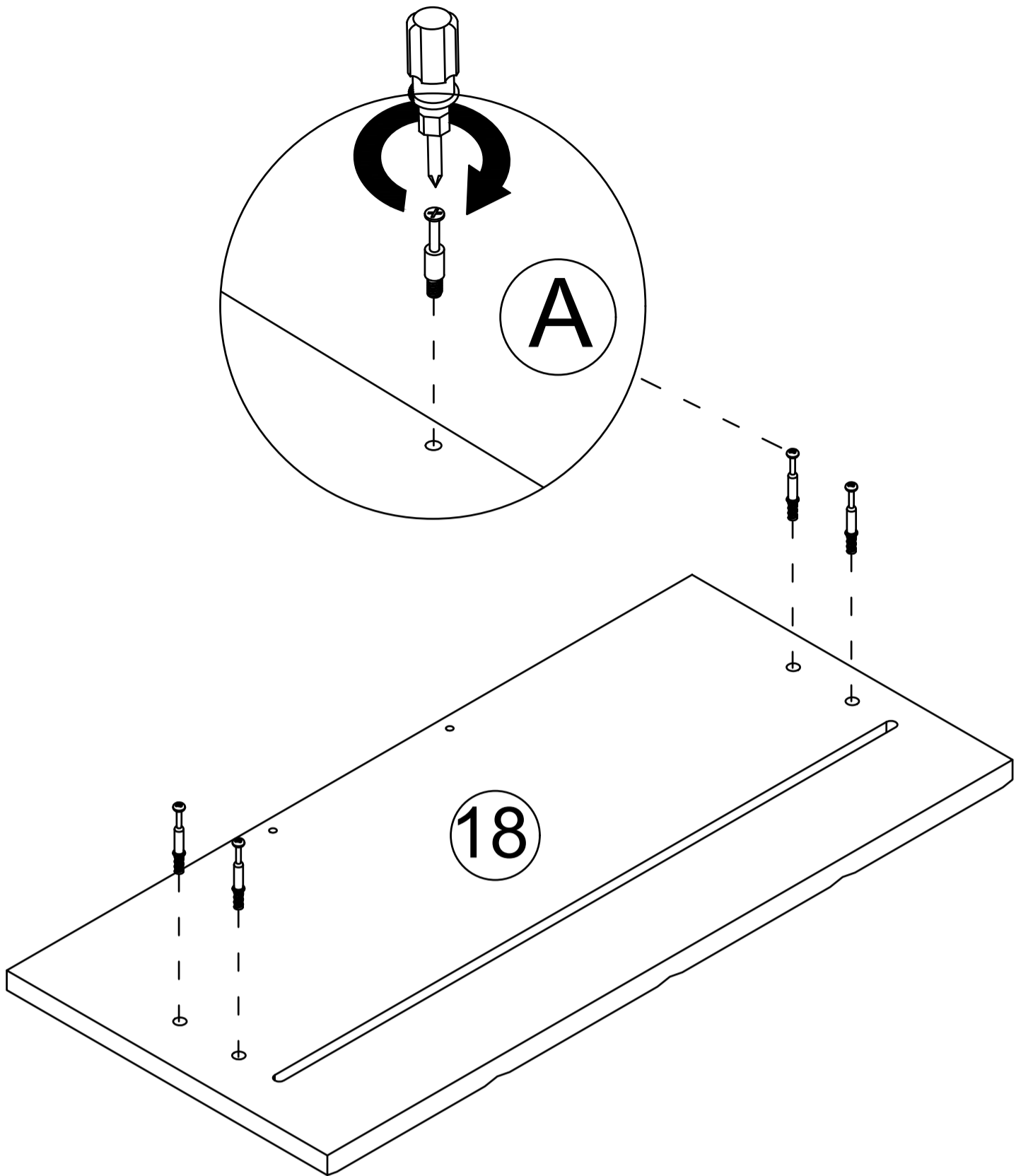
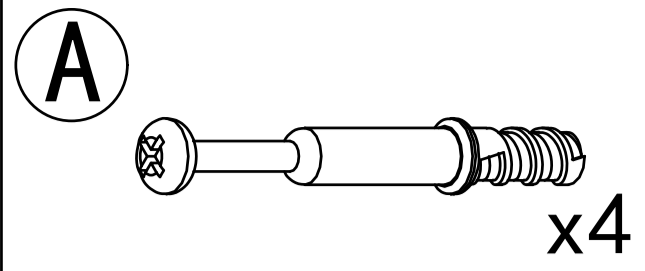


Step 3

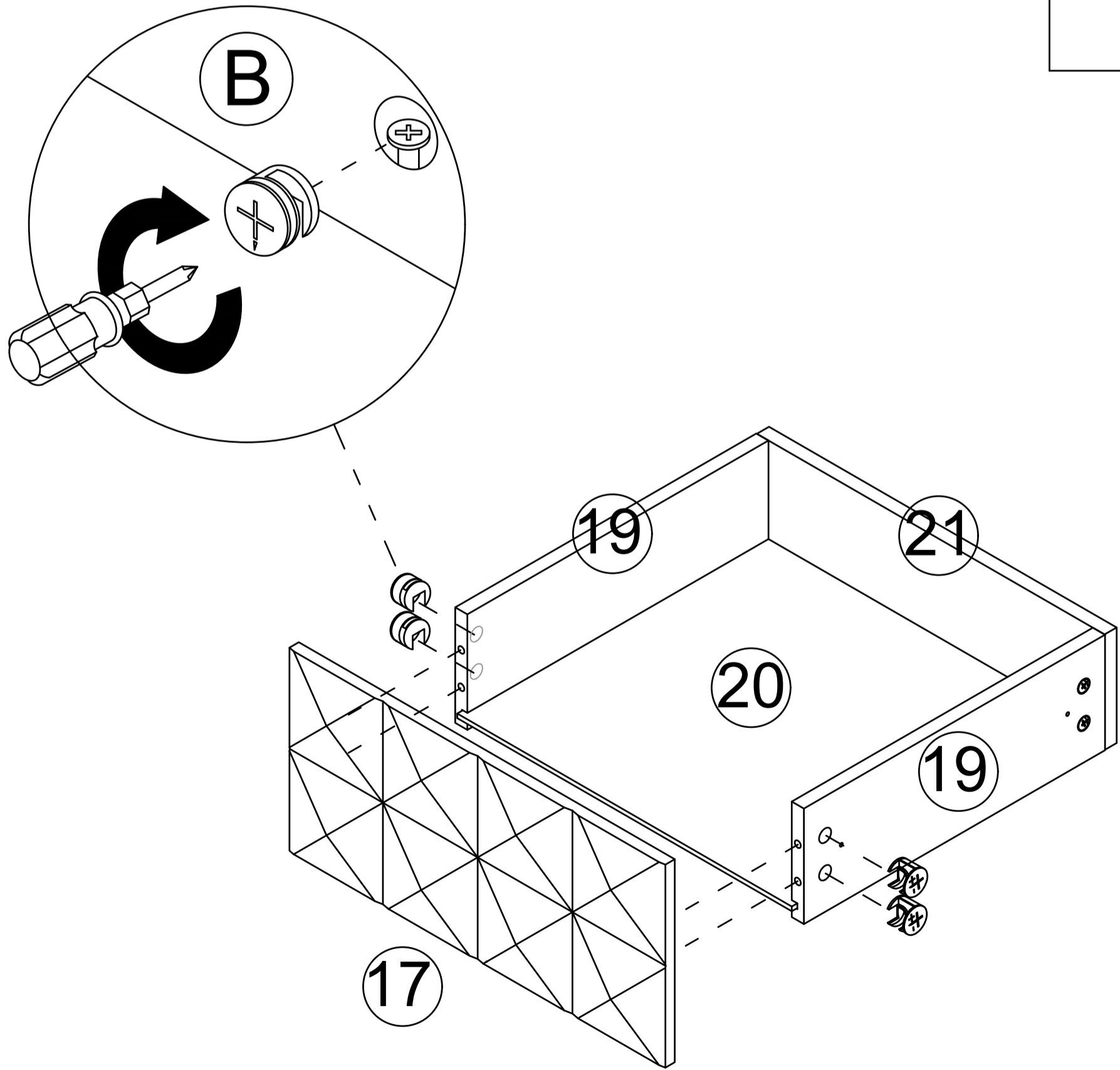
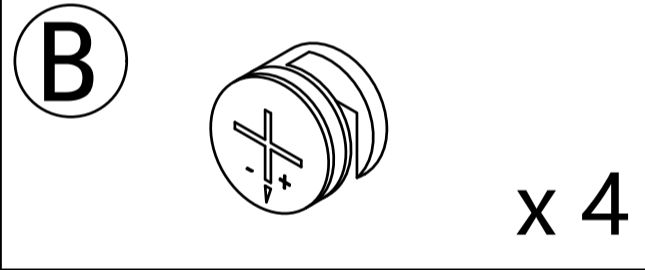


**6**

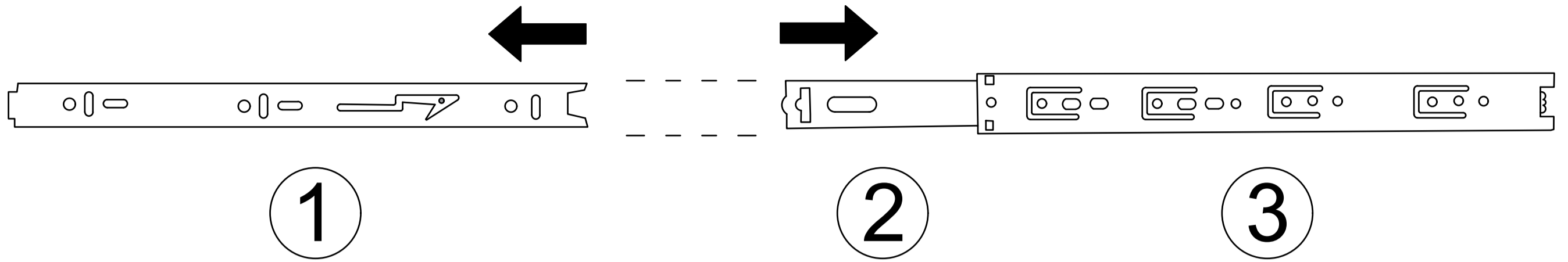
Step 4



Step 5

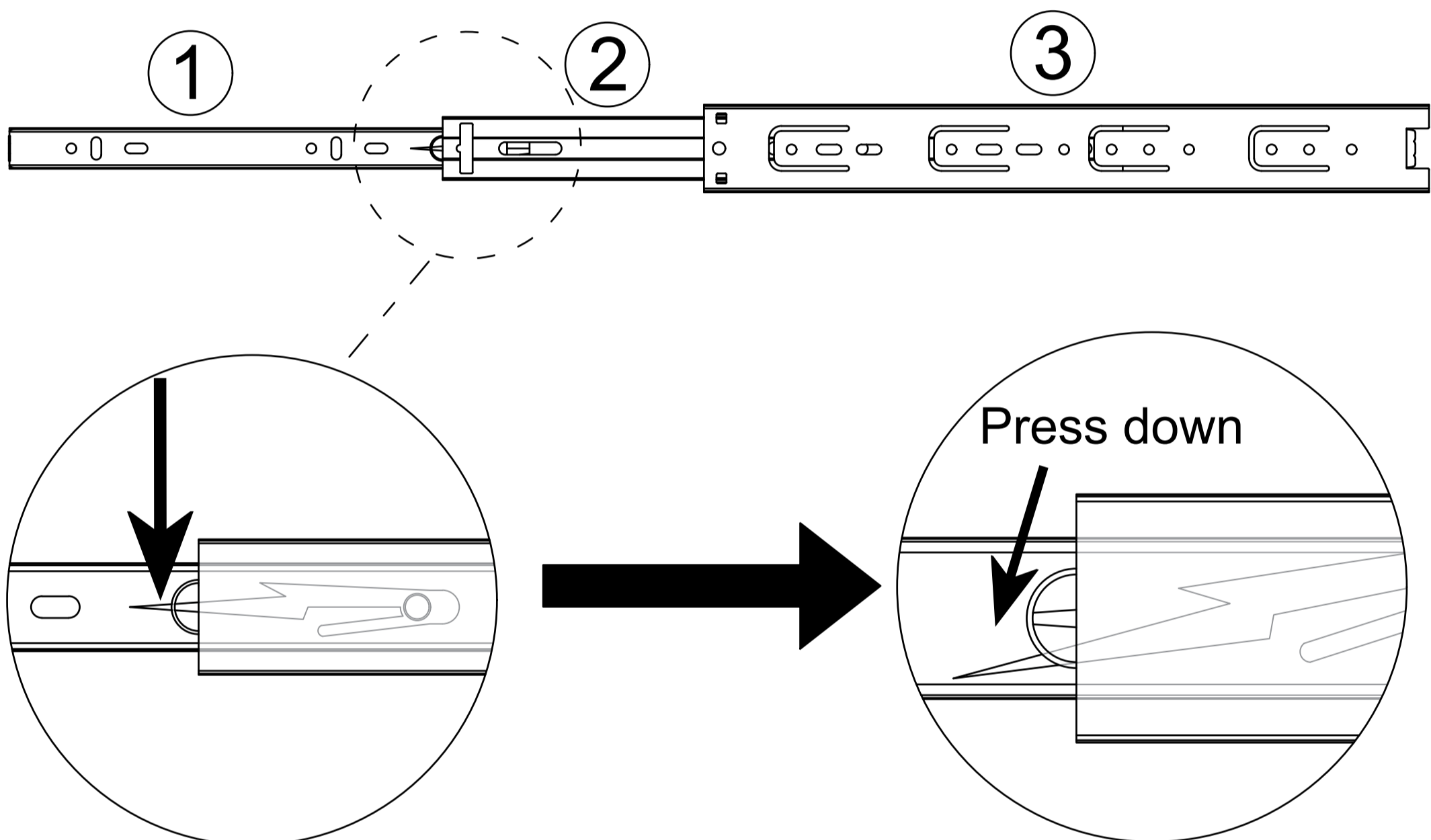


# Drawer rail breakdown diagram



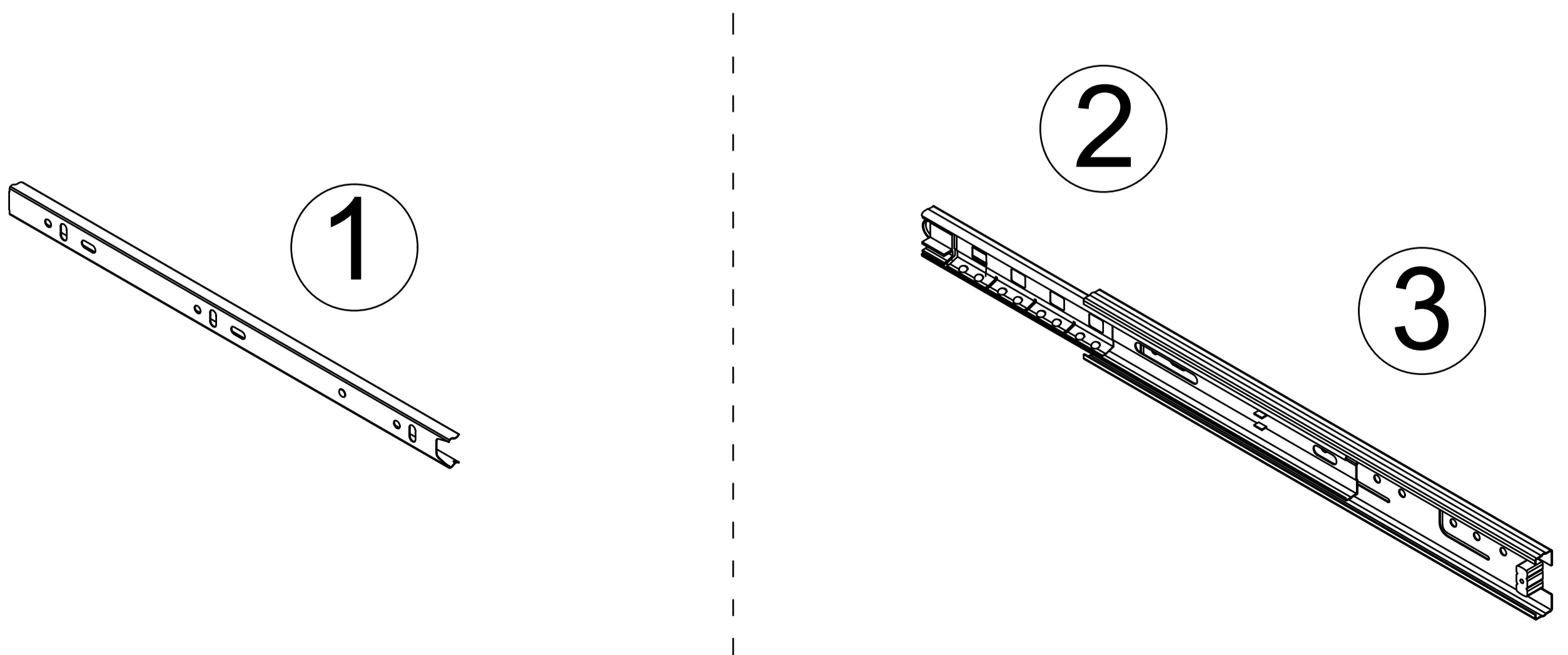
## ① Dismantle the schematic diagram

Step 1 : Pull the rails apart

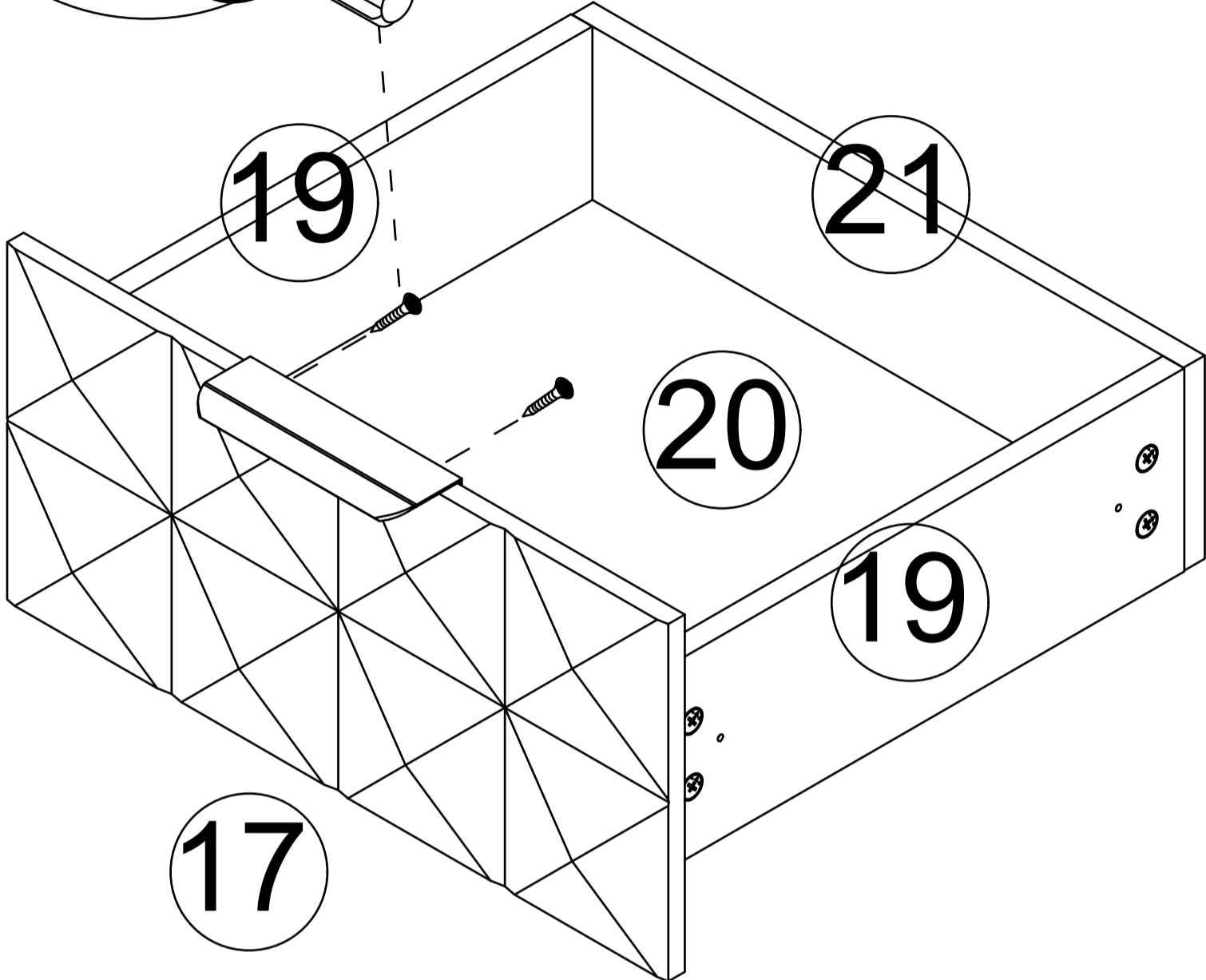
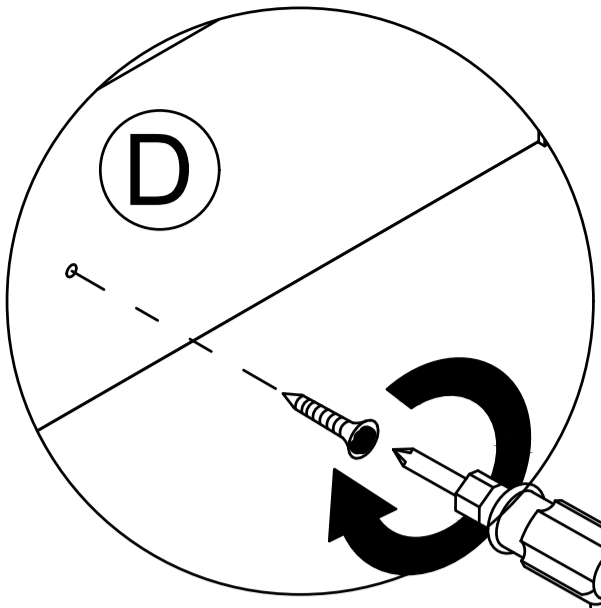
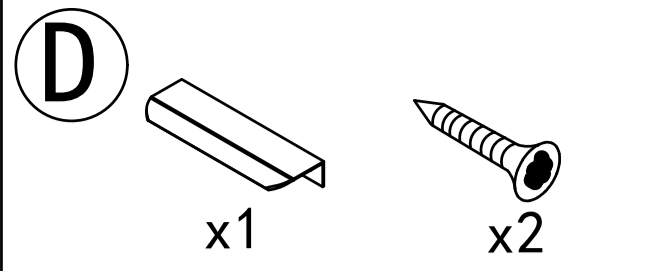


Step 2 : Press the nylon button and pull out ①.

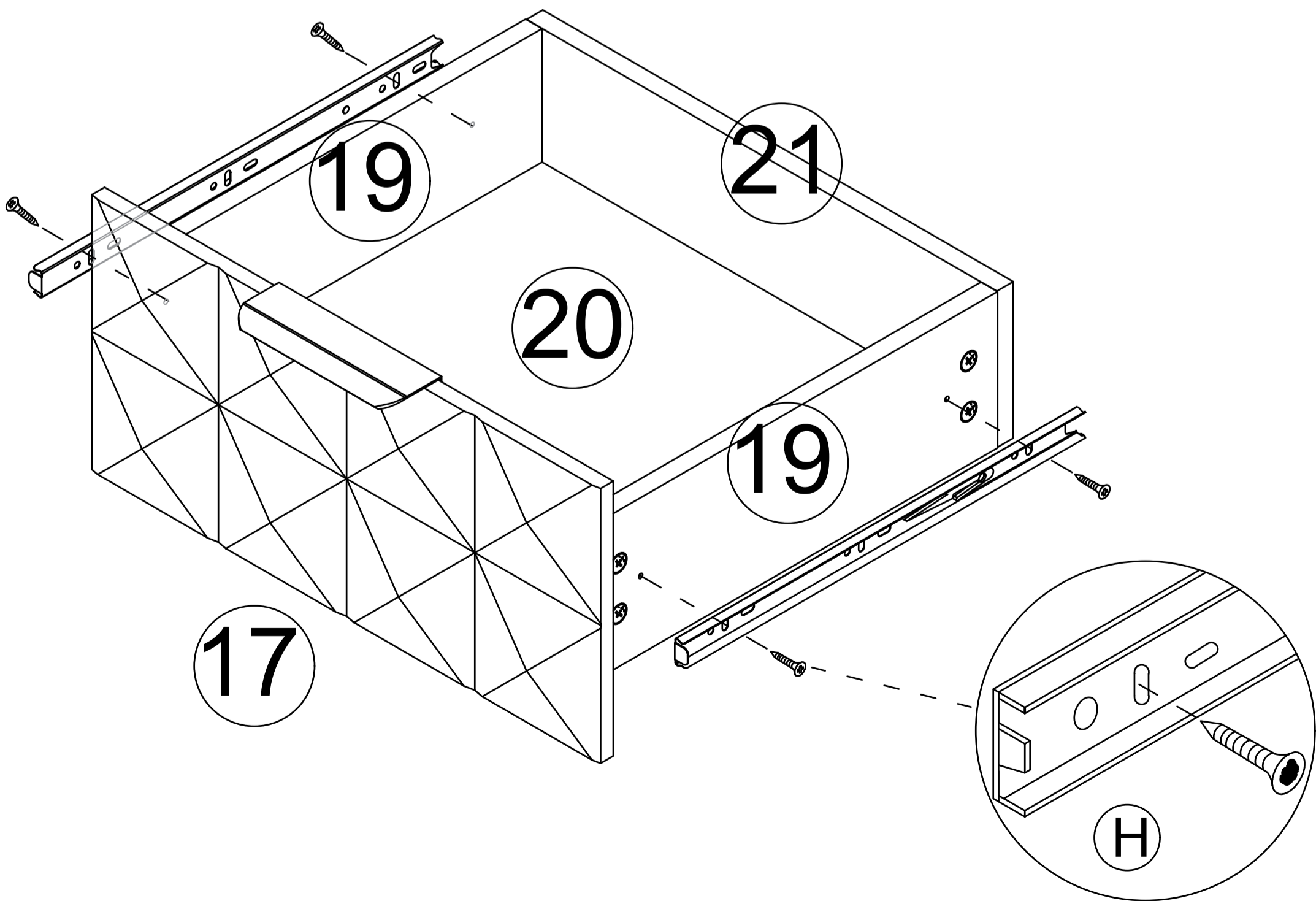
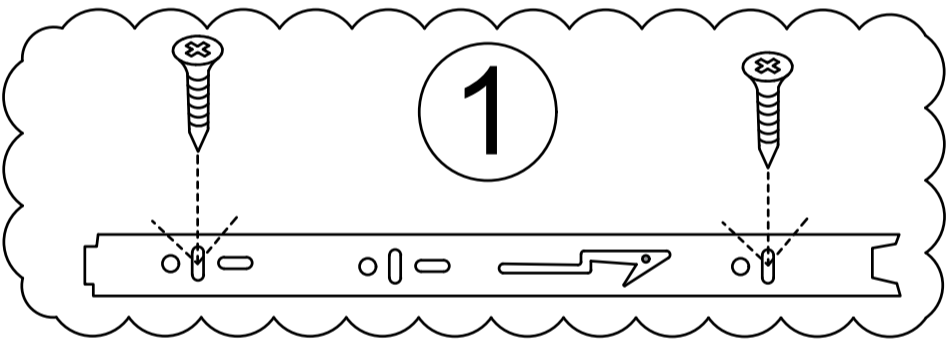
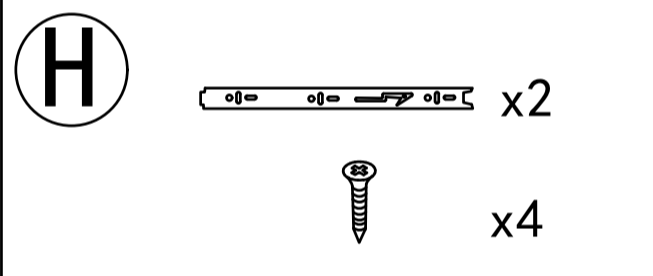
## Drawer rail decomposition completed schematic diagram



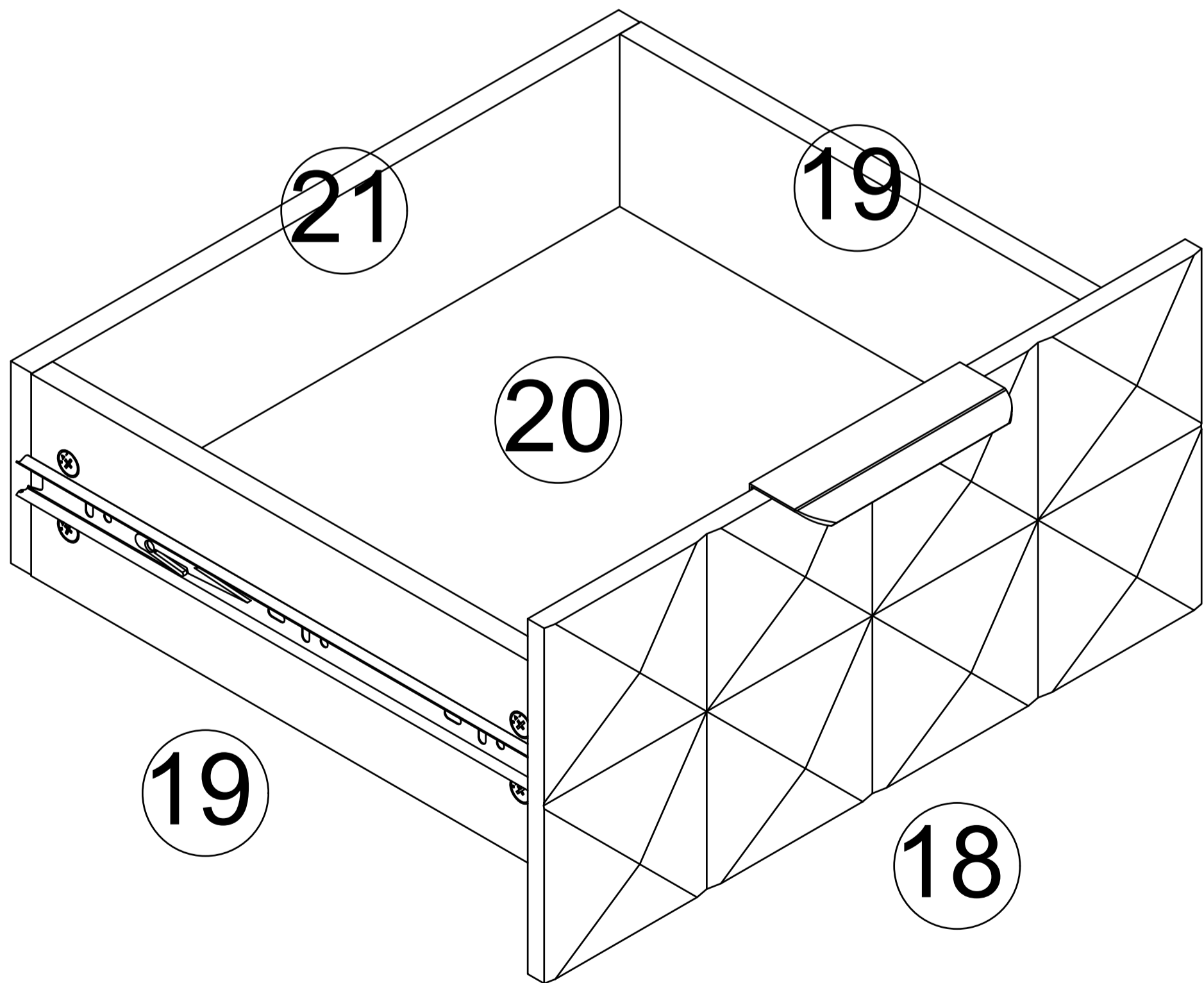
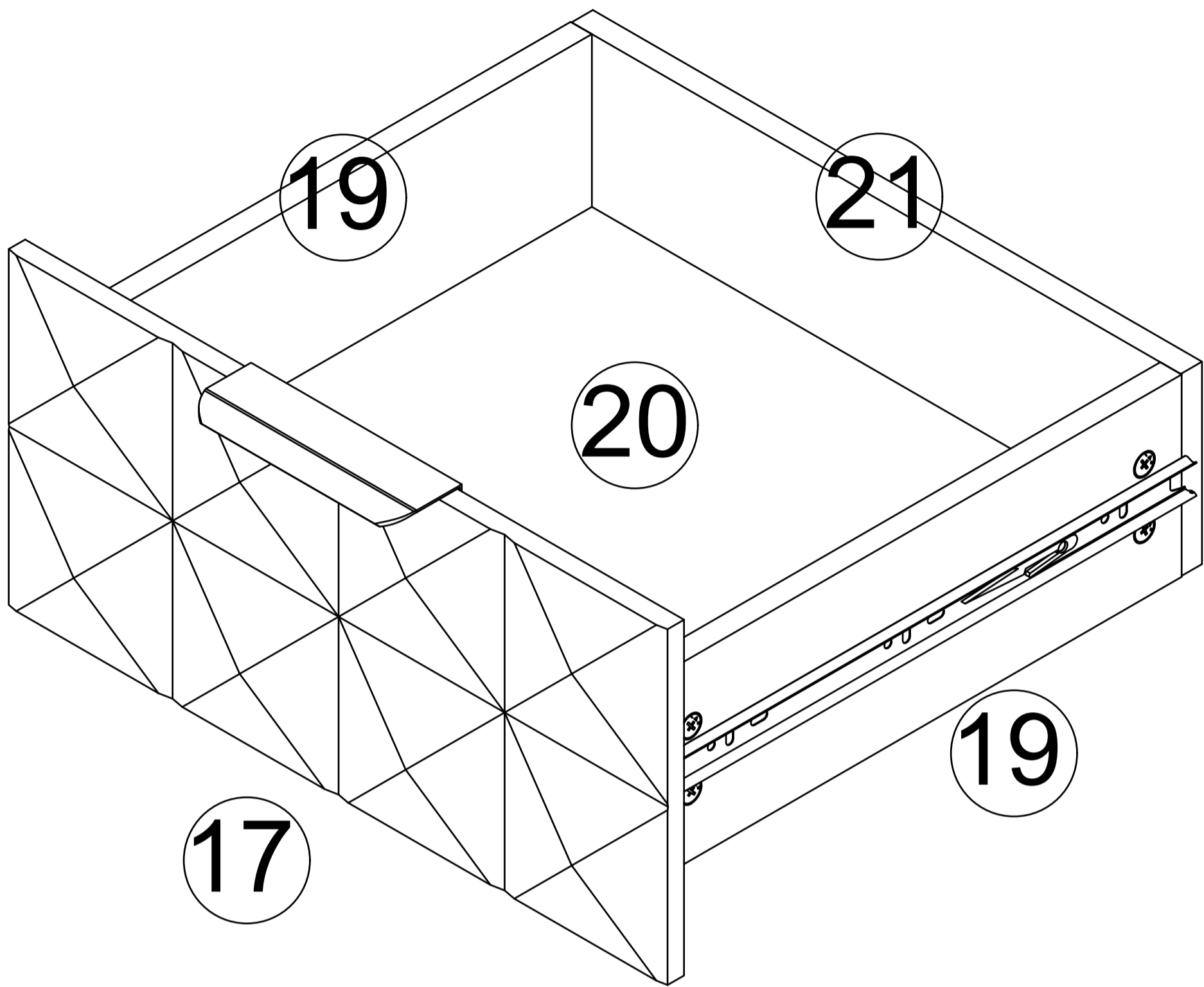
Step 6



Step 7

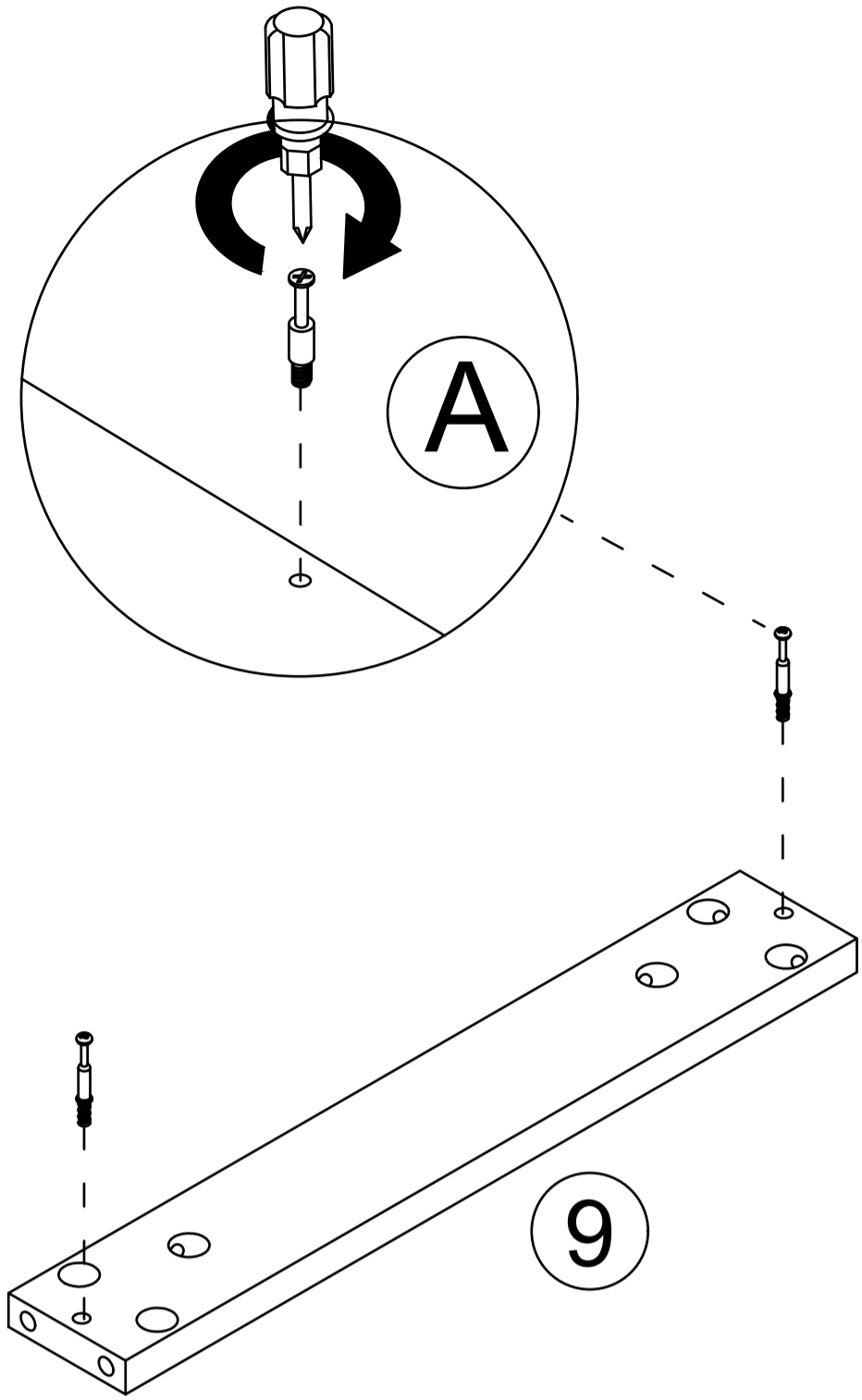
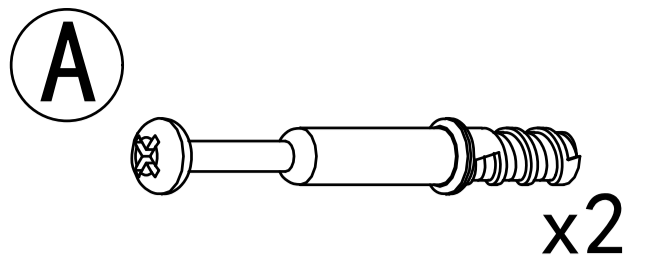


Step 8



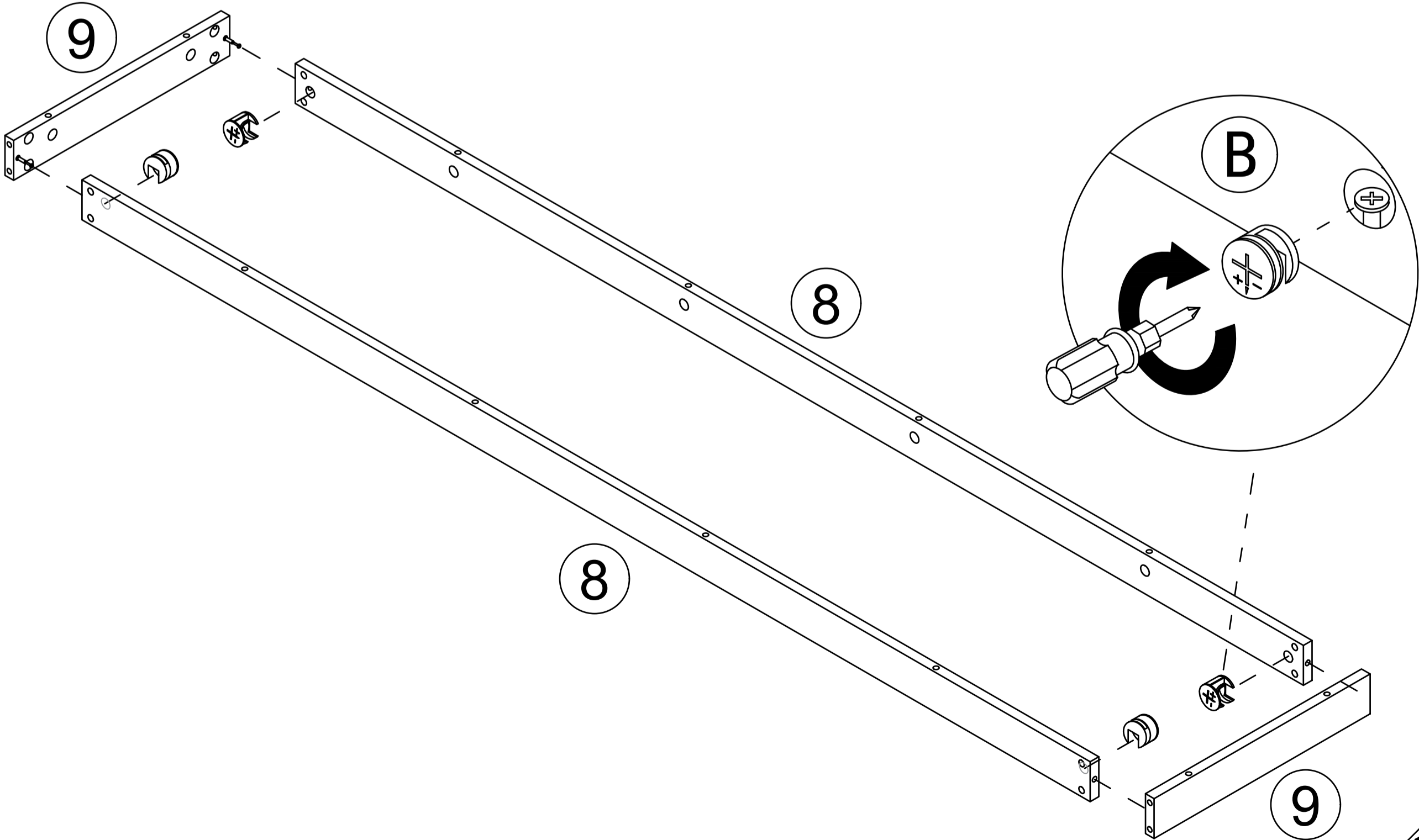
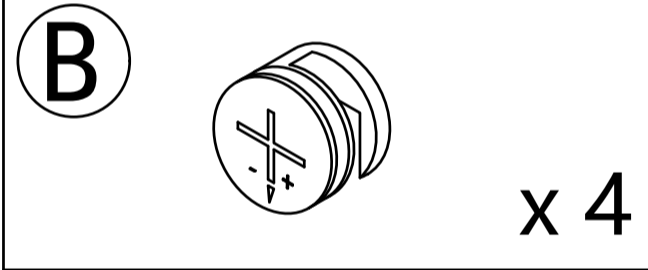
Repeat the drawer installation steps

Step 9



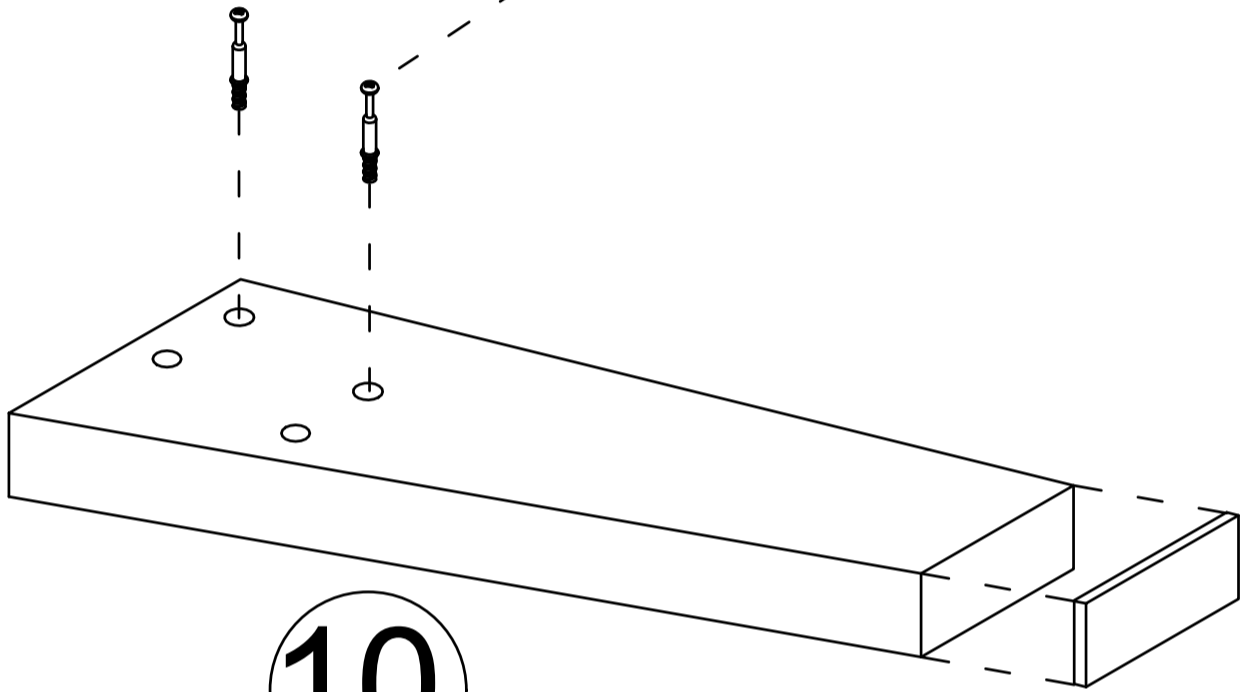
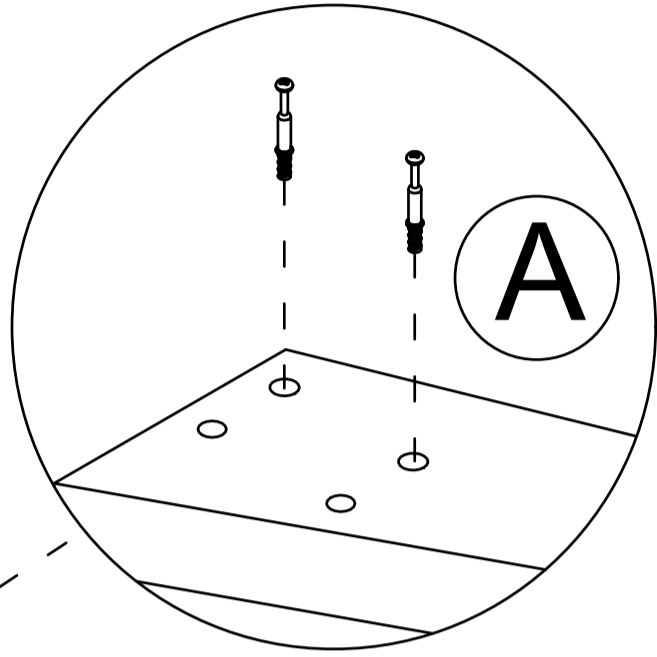
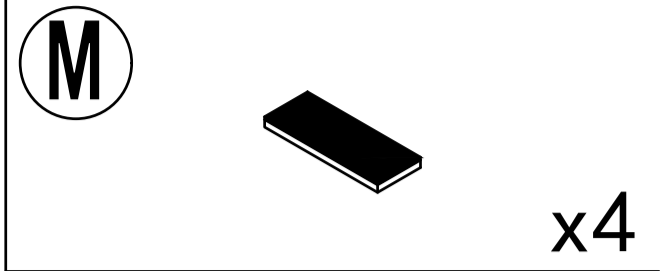
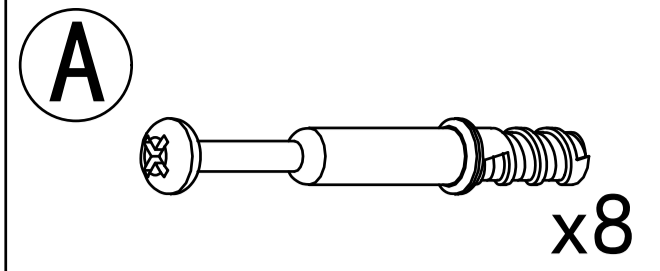
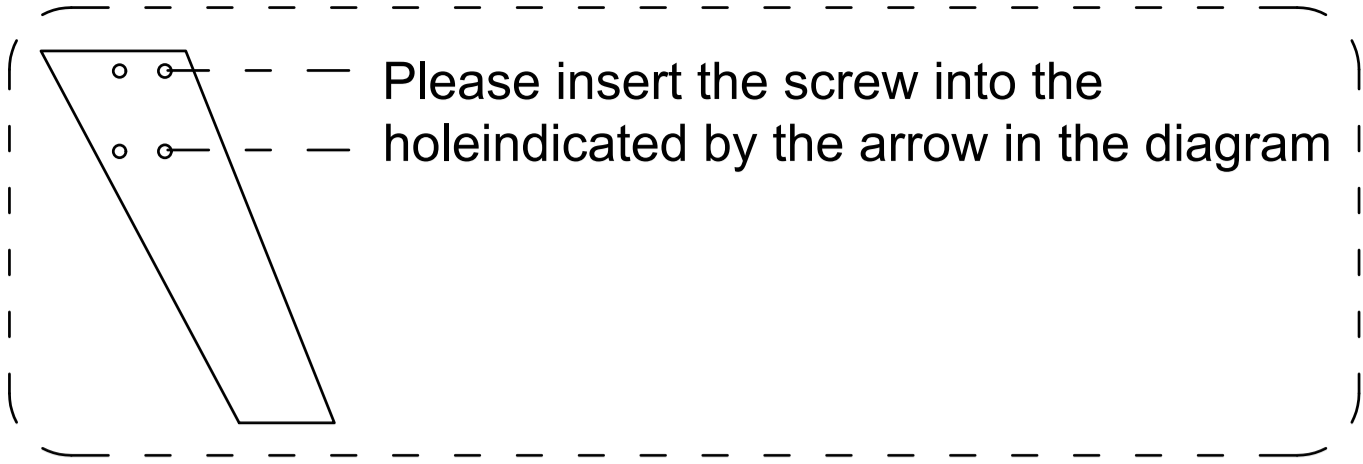
This step is repeated twice

Step 10

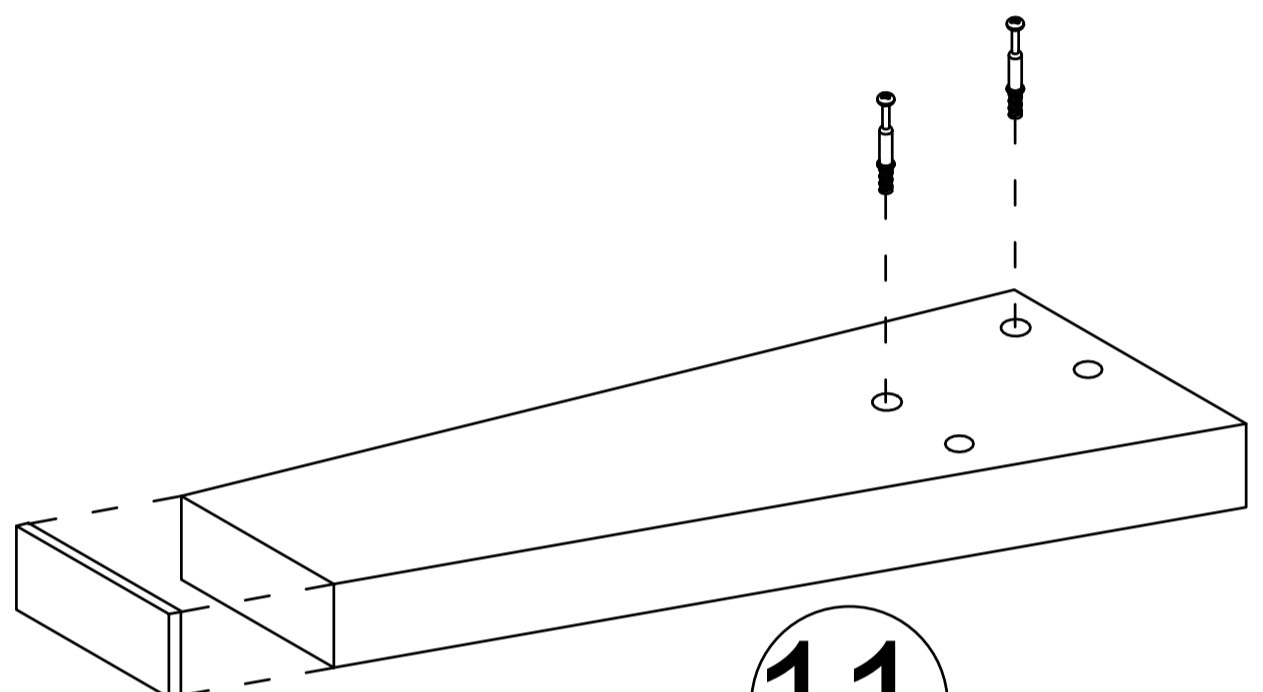


10

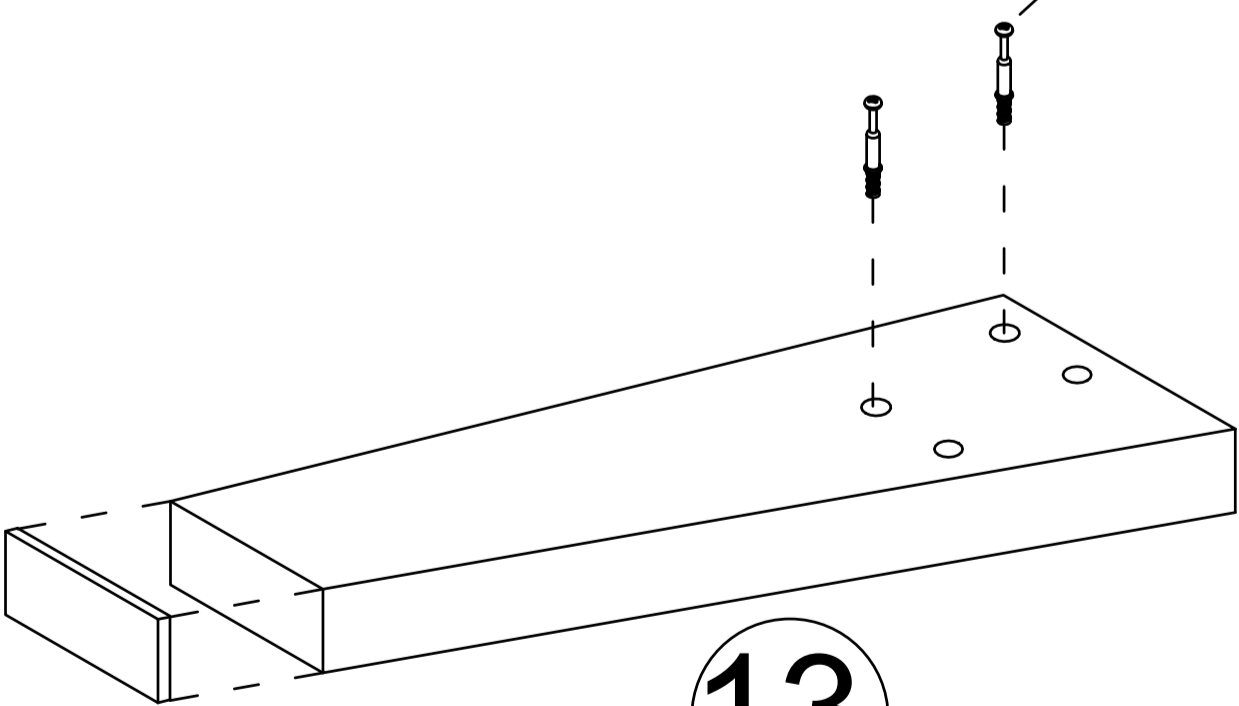
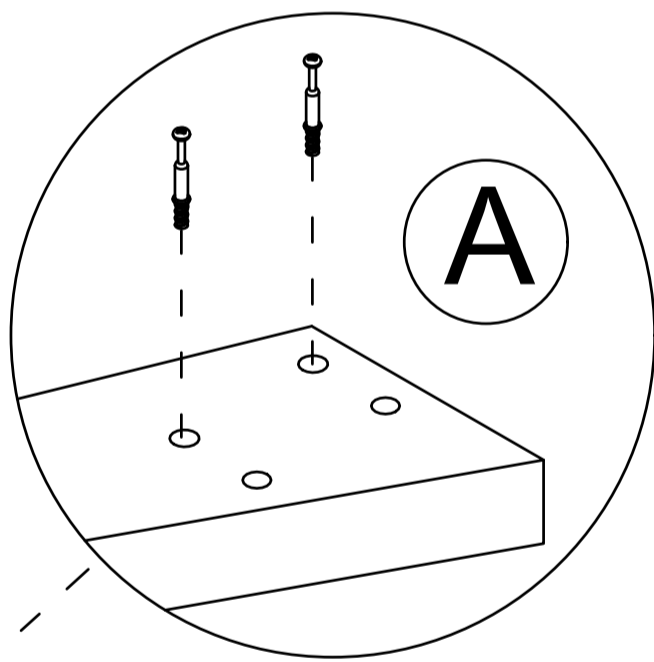
# Step 11



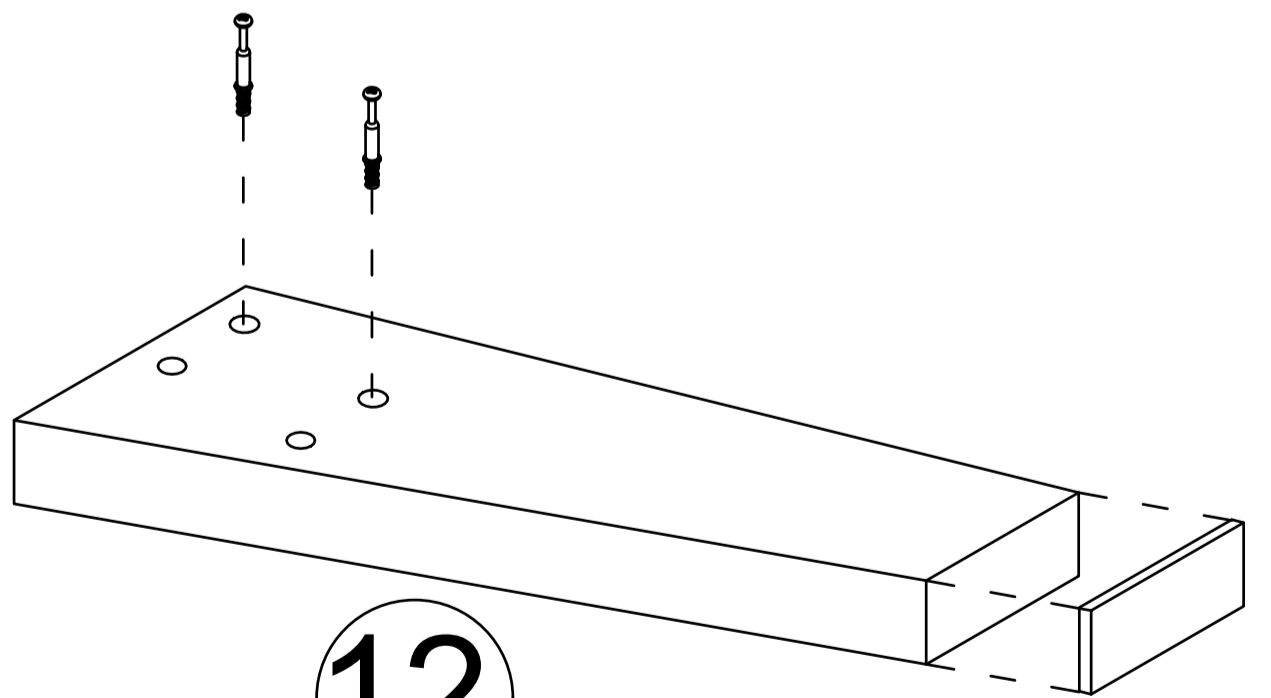
10



11



13



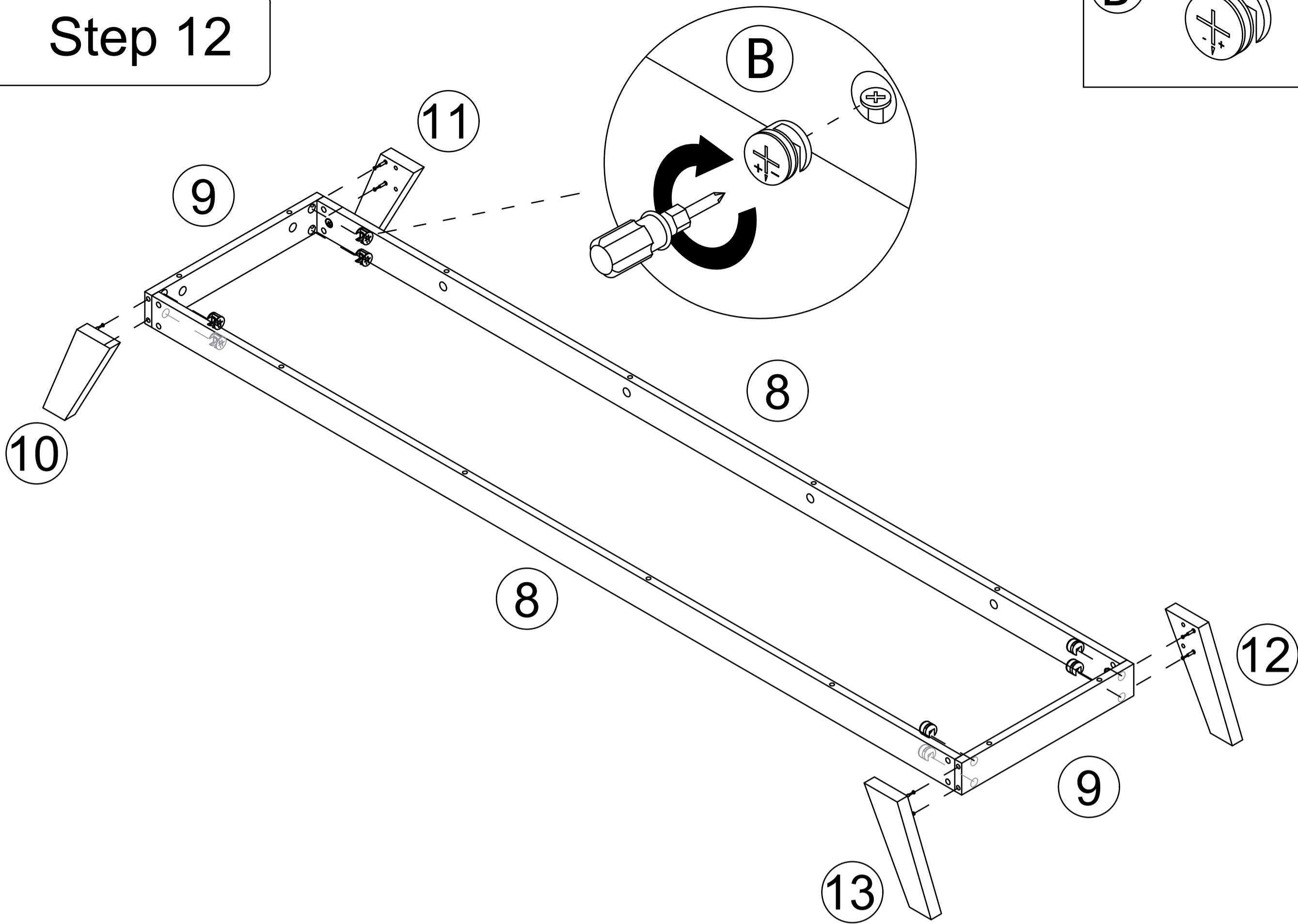
12

# Step 12

B

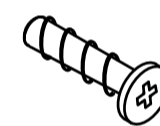


x 8

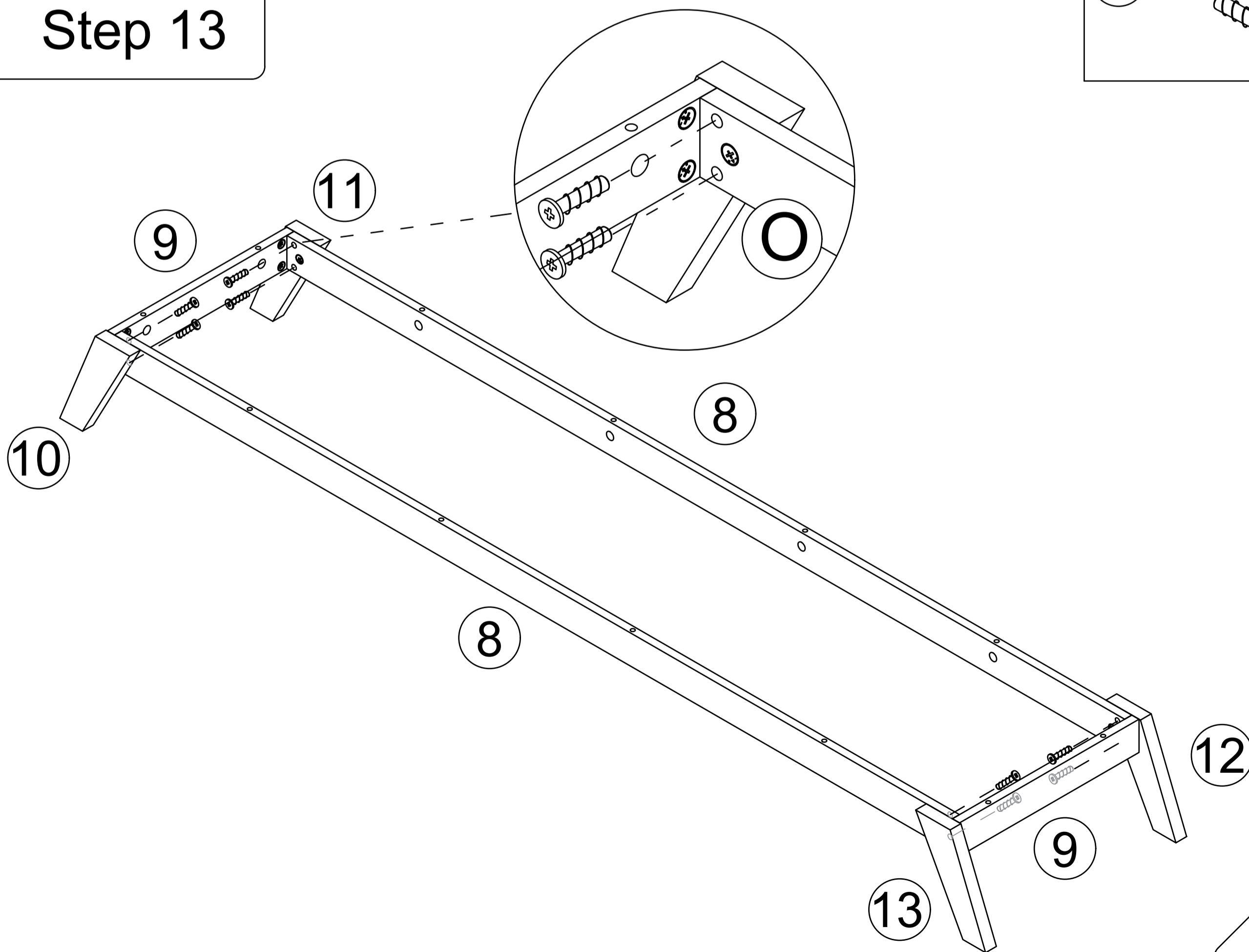


# Step 13

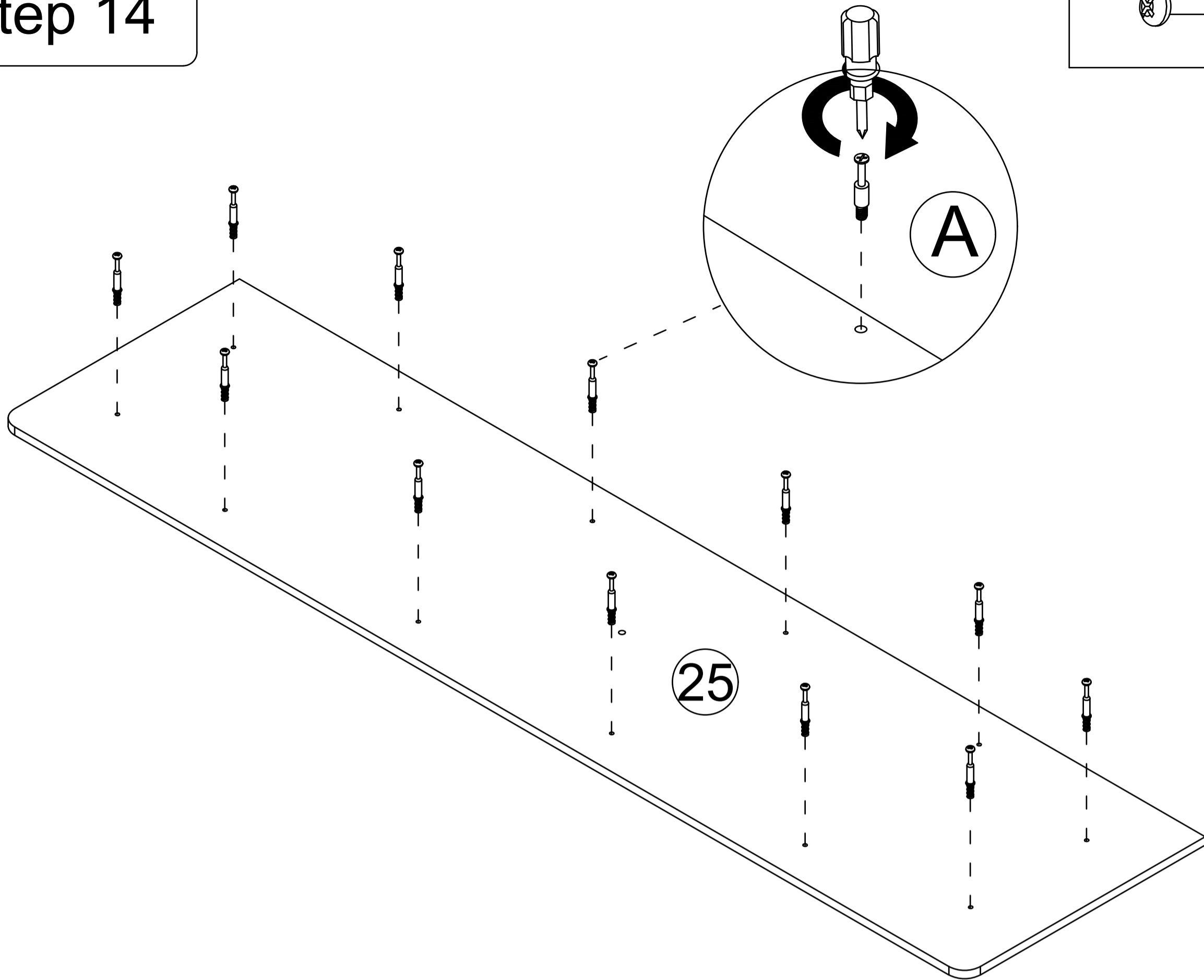
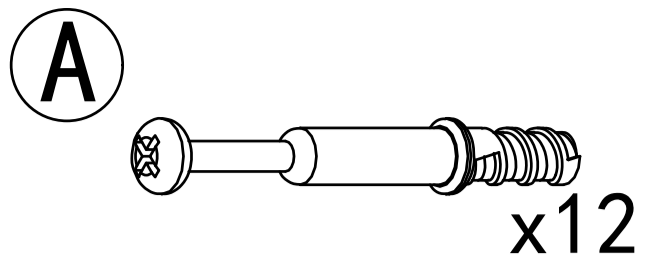
O



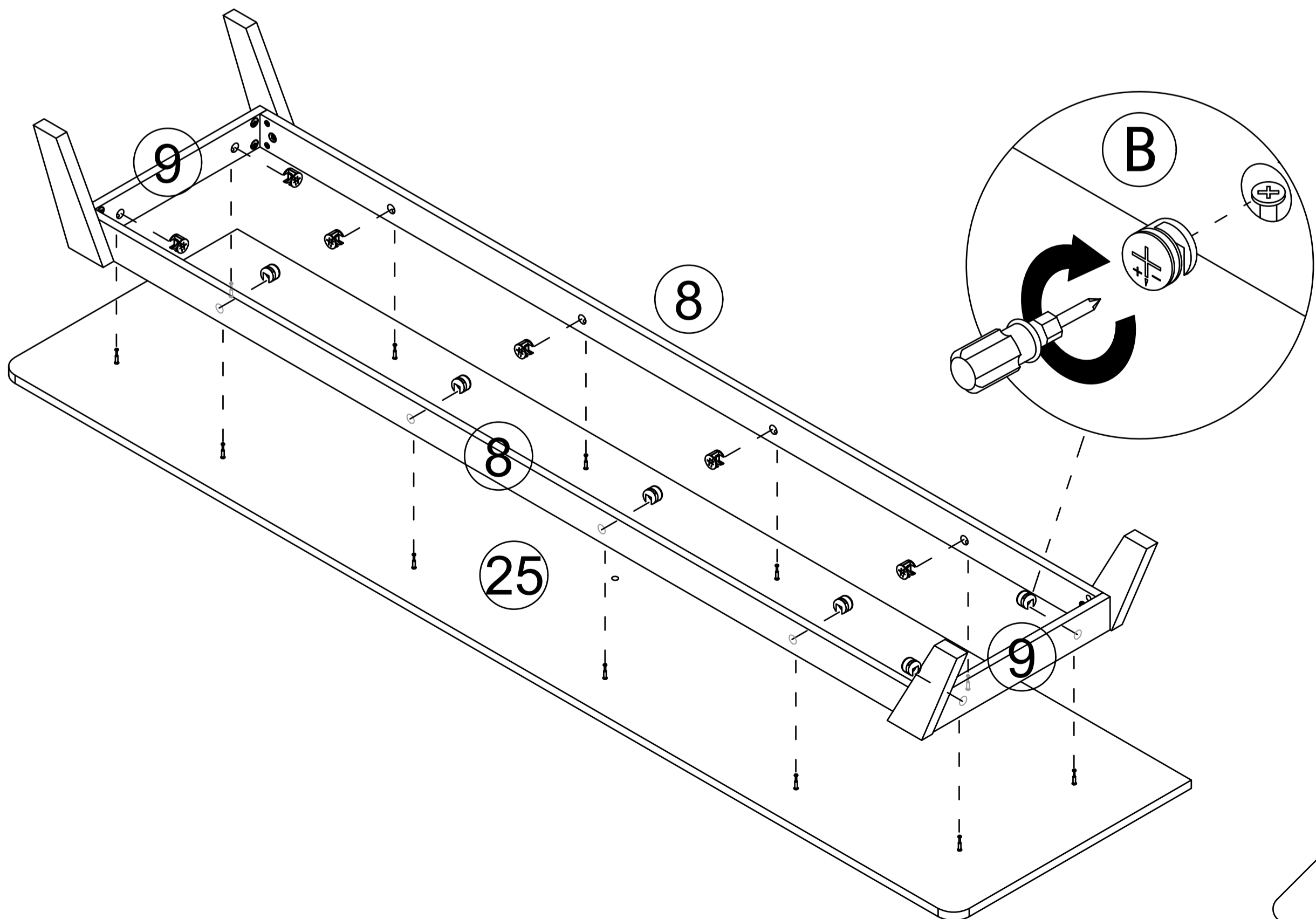
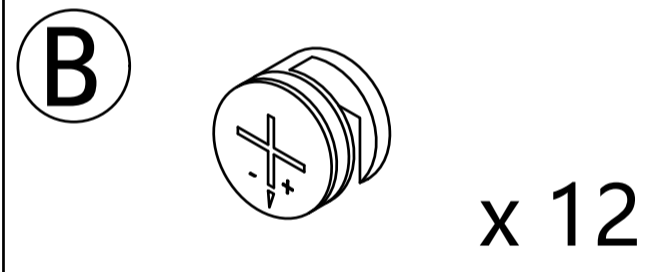
x 8



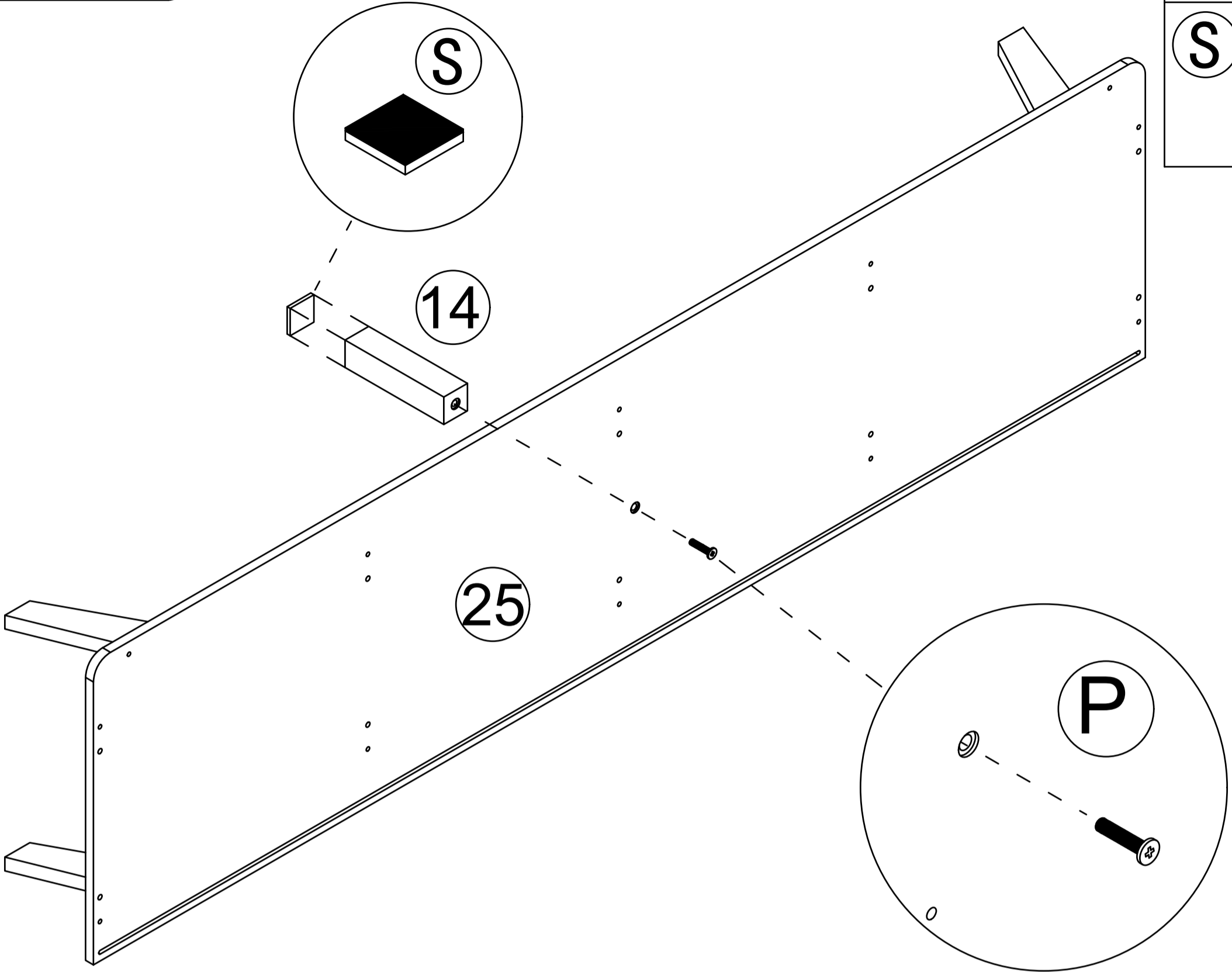
Step 14

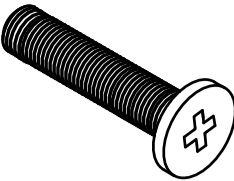


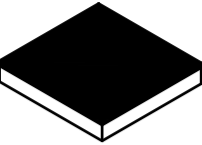
Step 15



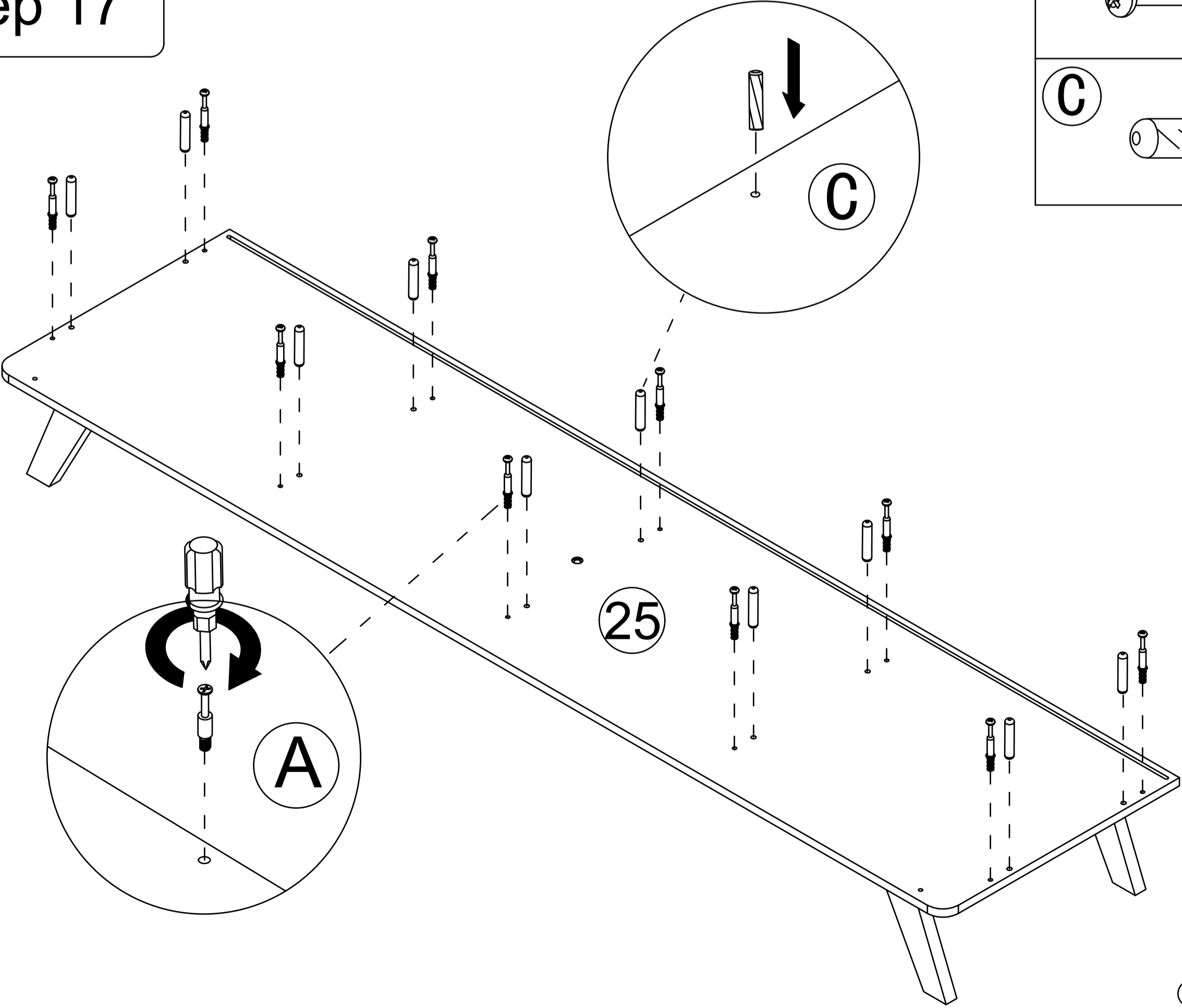
# Step 16

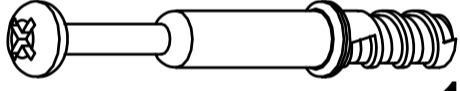


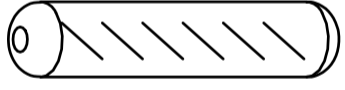
**P**  x 1

**S**  x 1


# Step 17

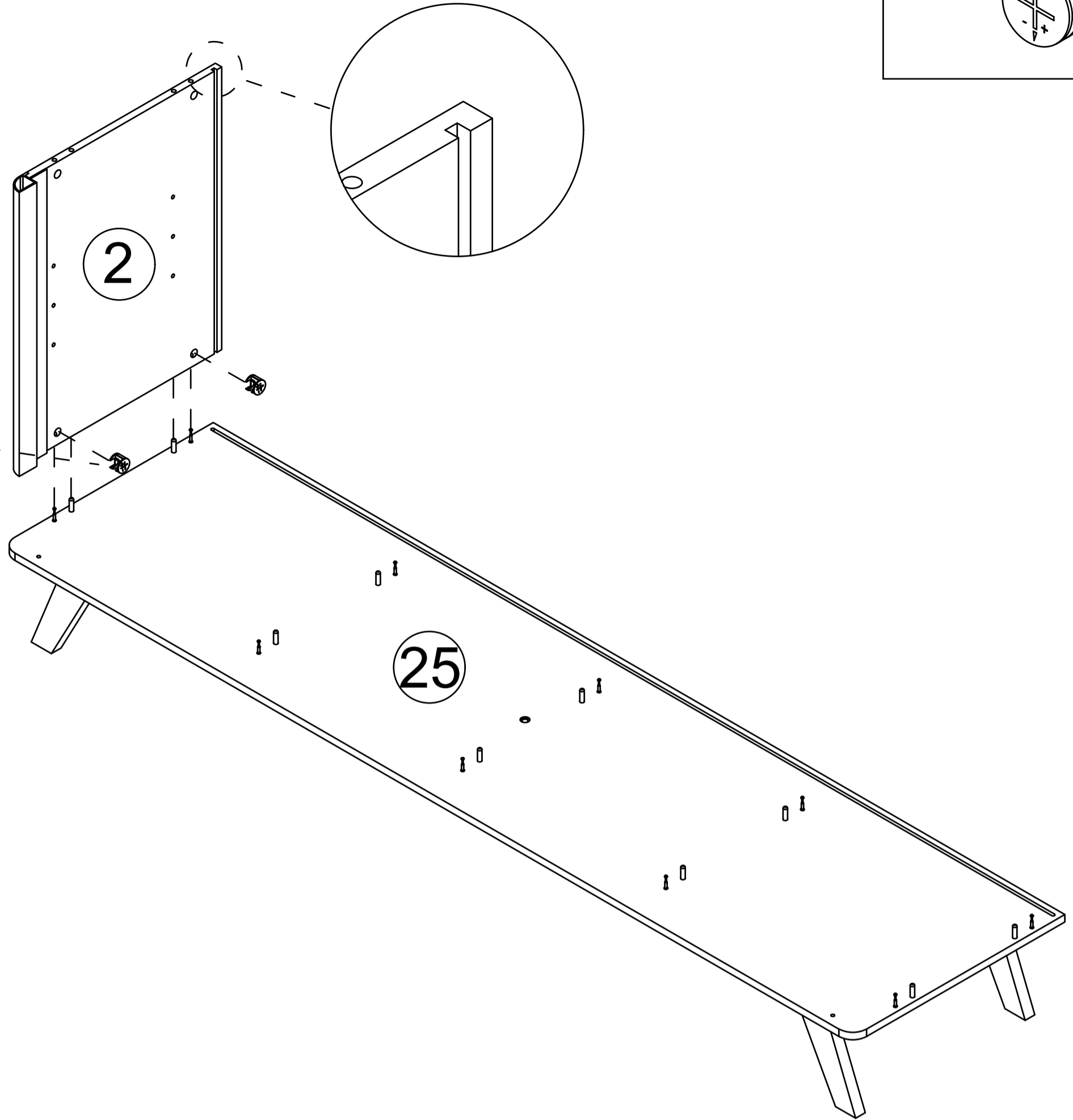
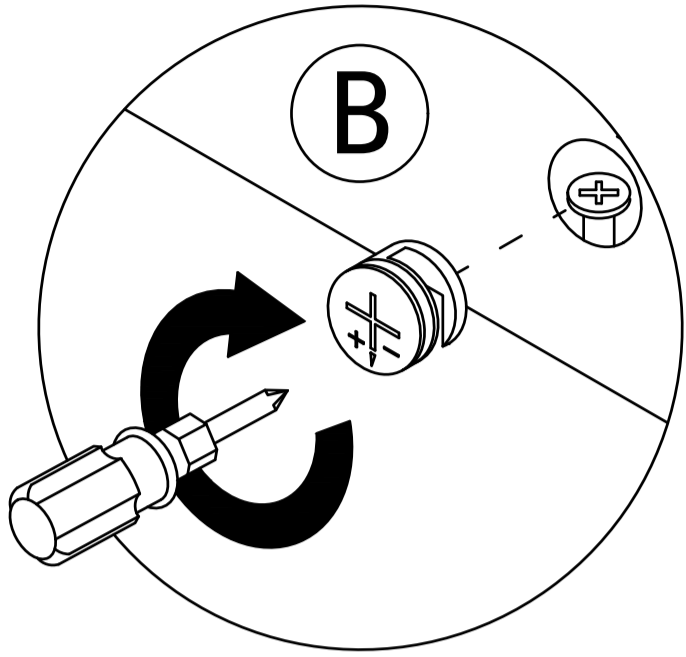


**A**  x10


**C**  x10

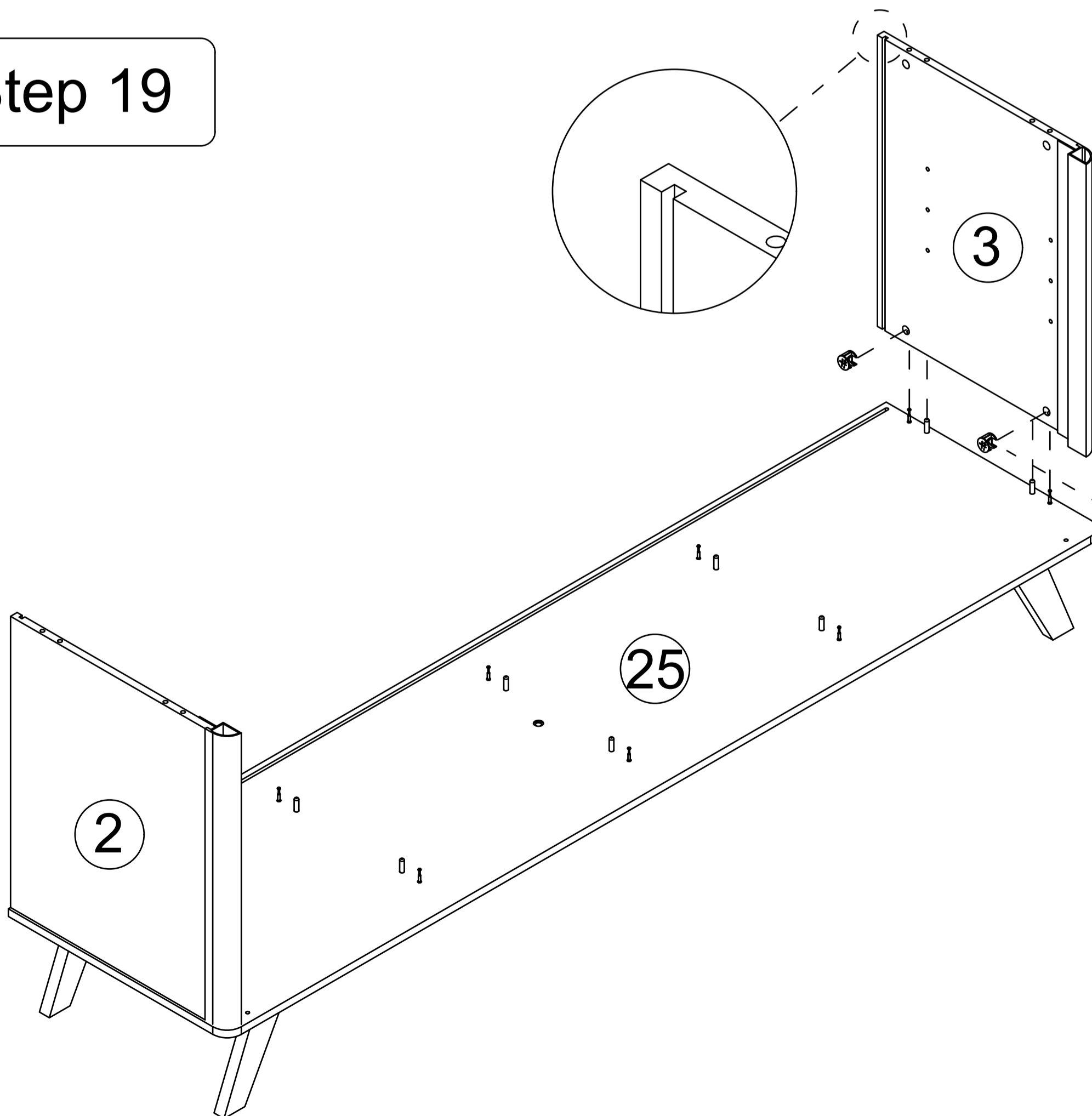
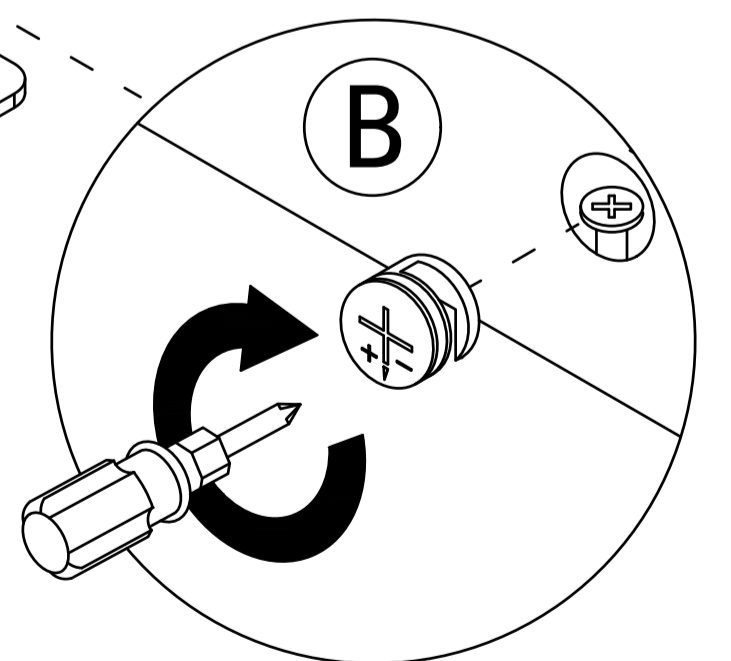
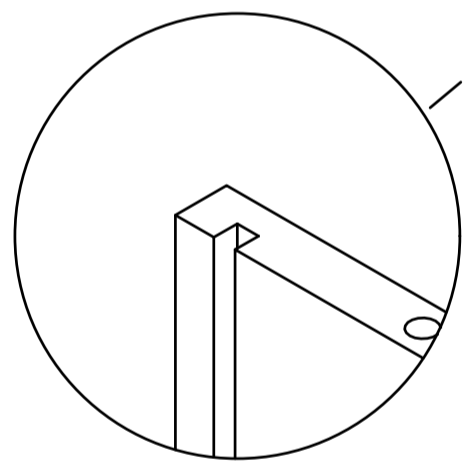
# Step 18

**B**  x 2

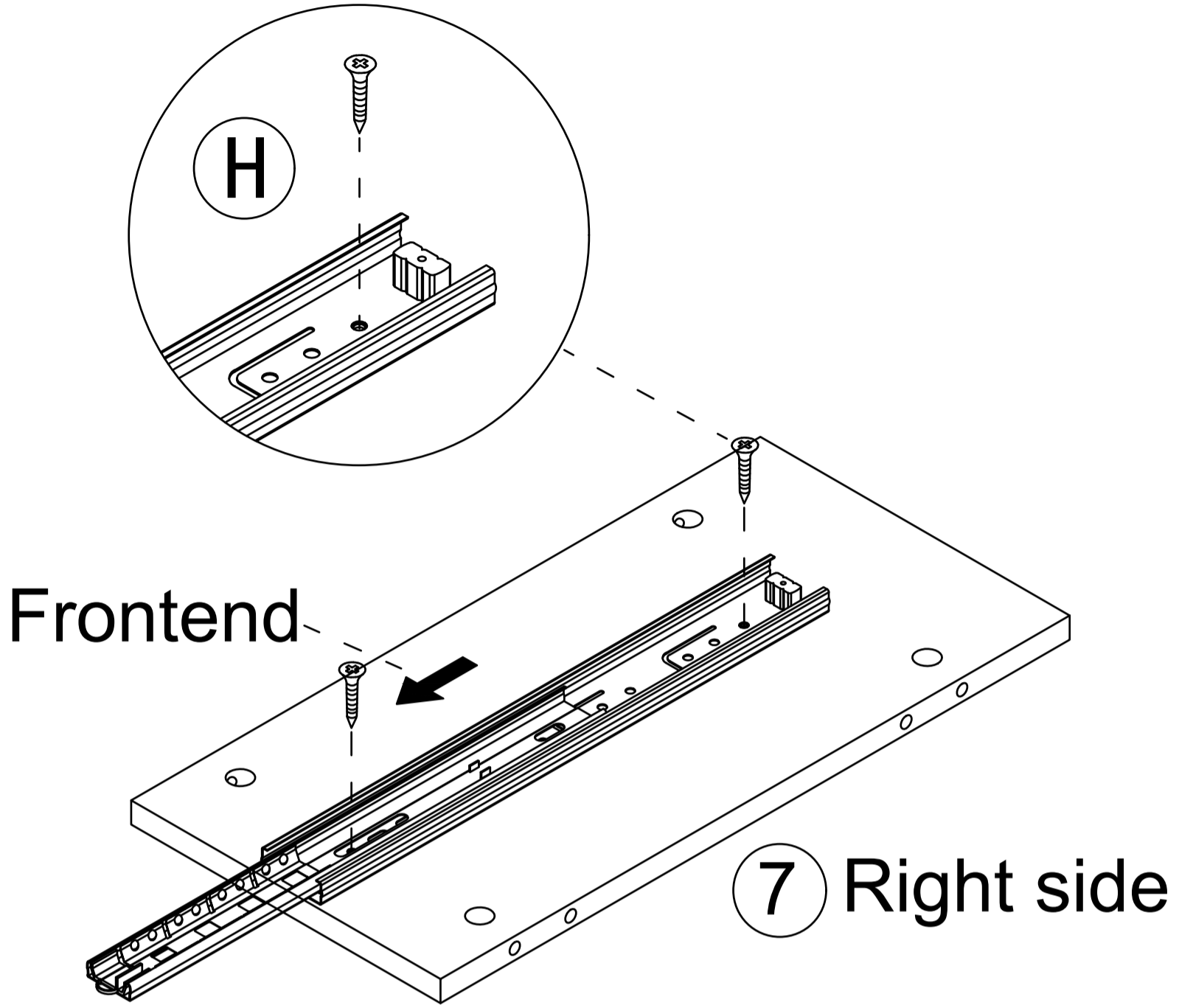
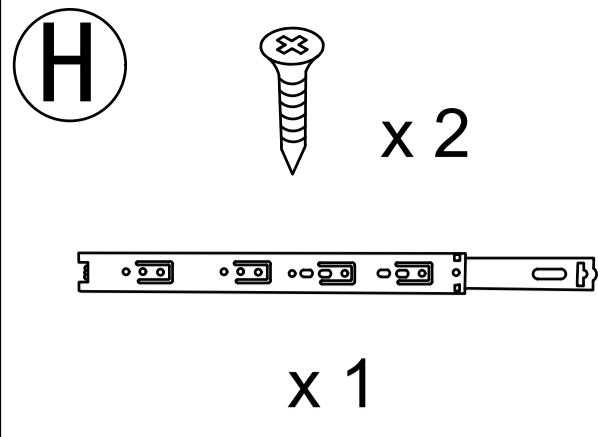
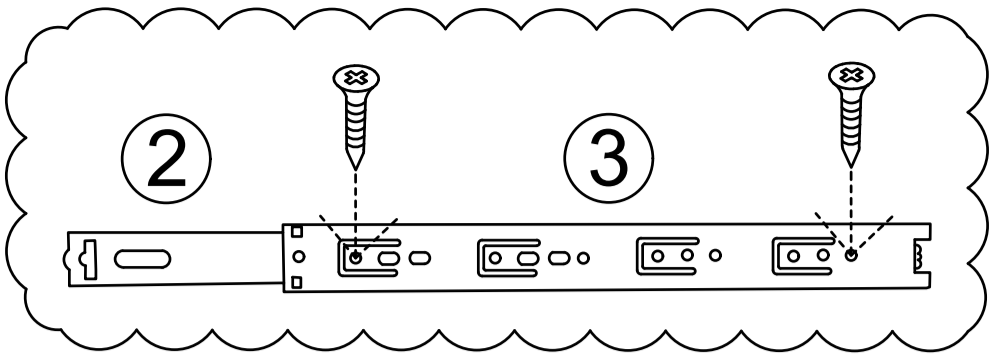


# Step 19

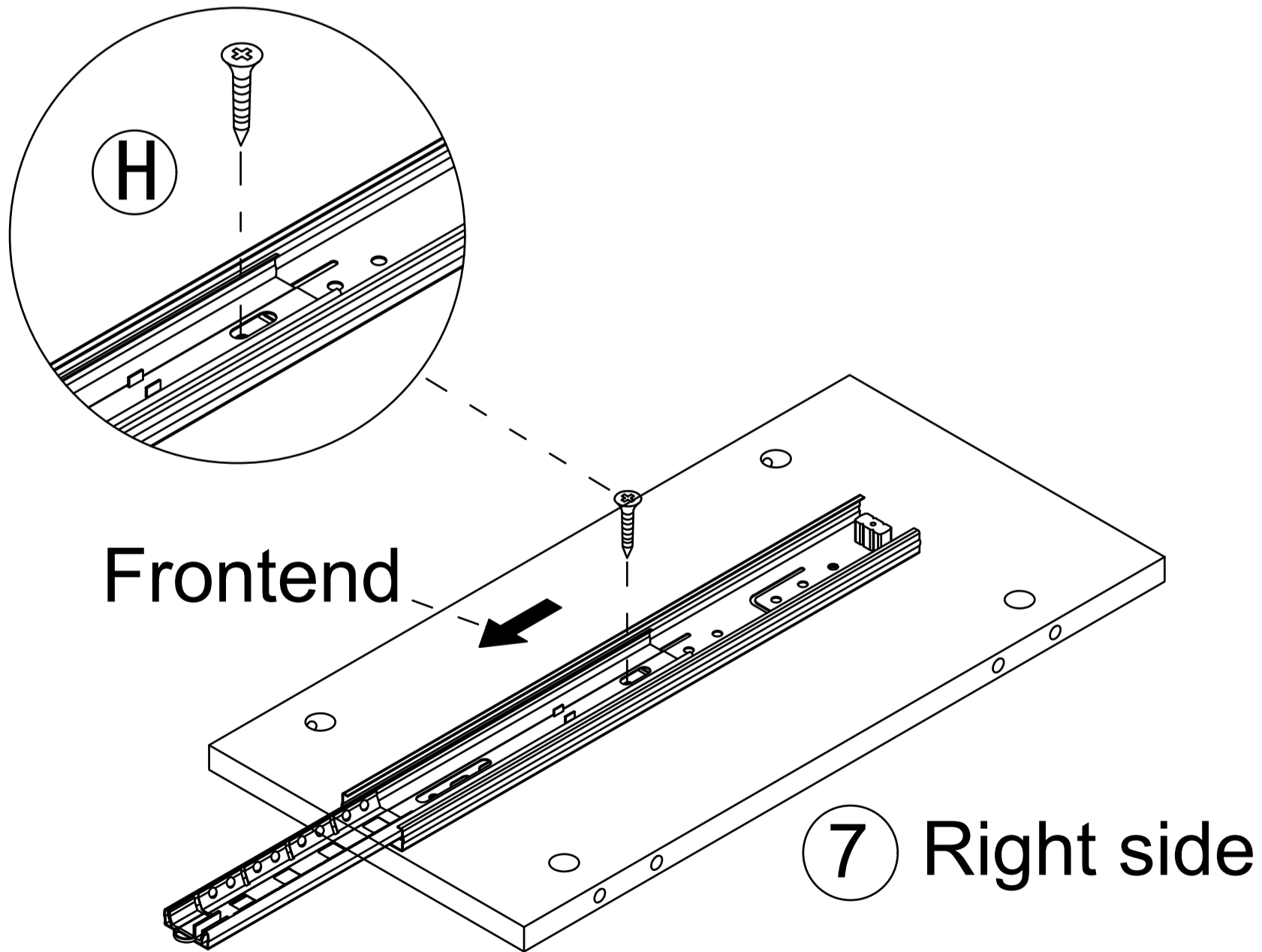
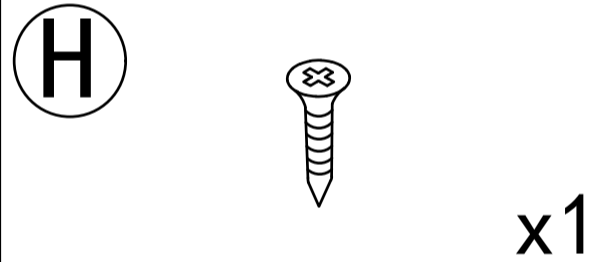
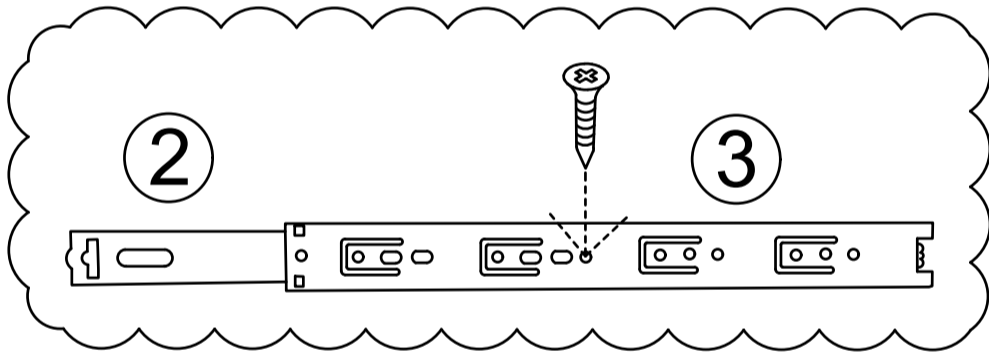
**B**  x 2



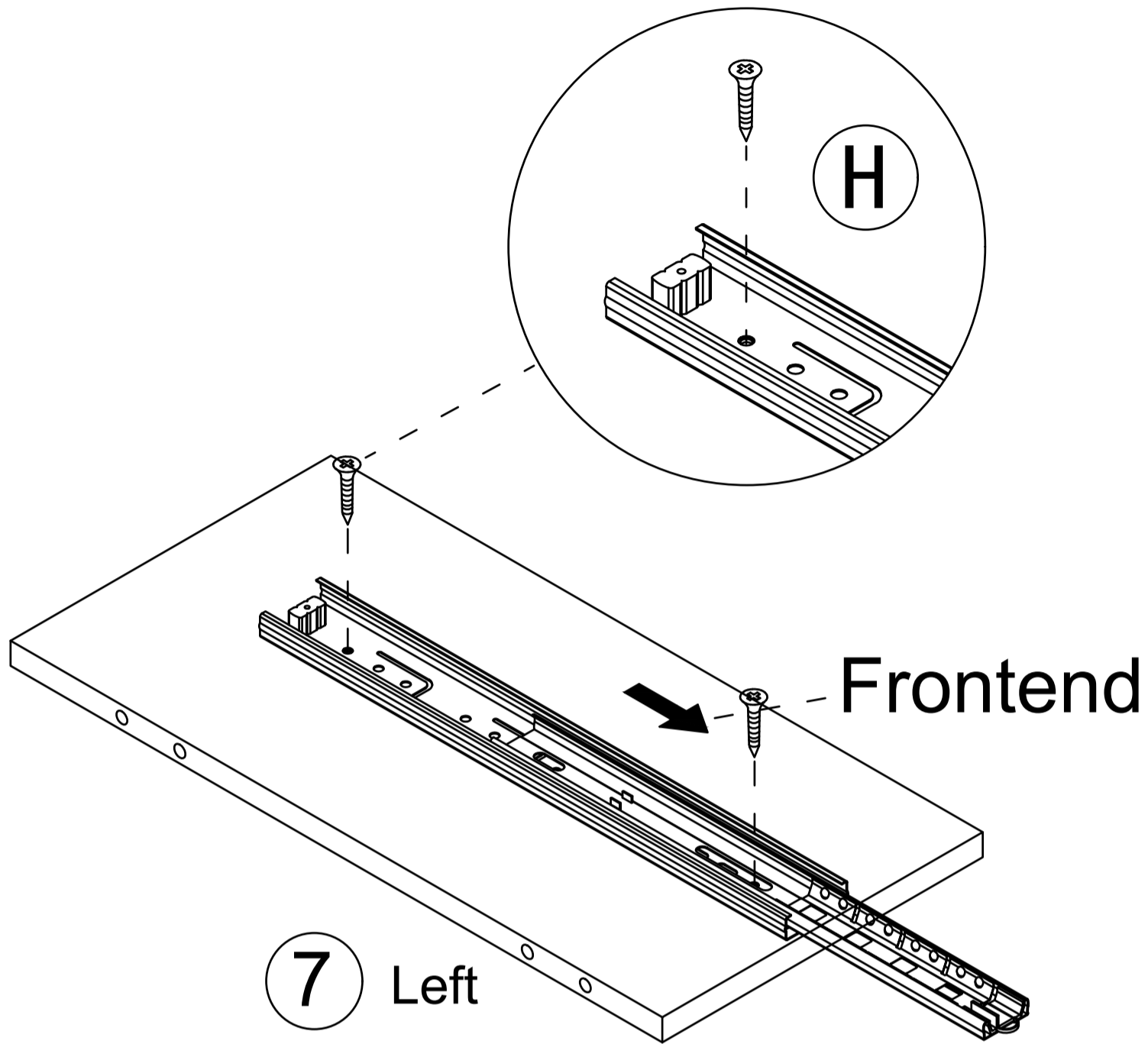
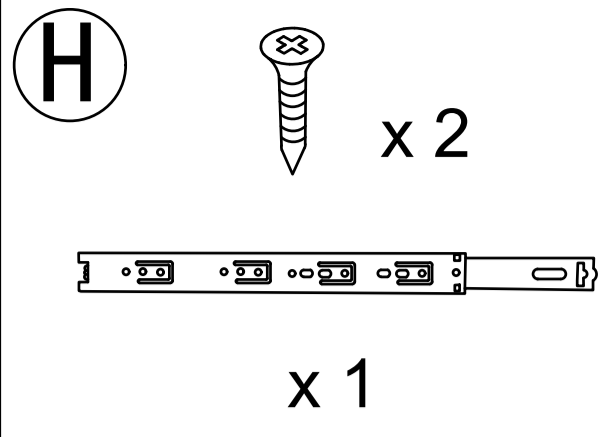
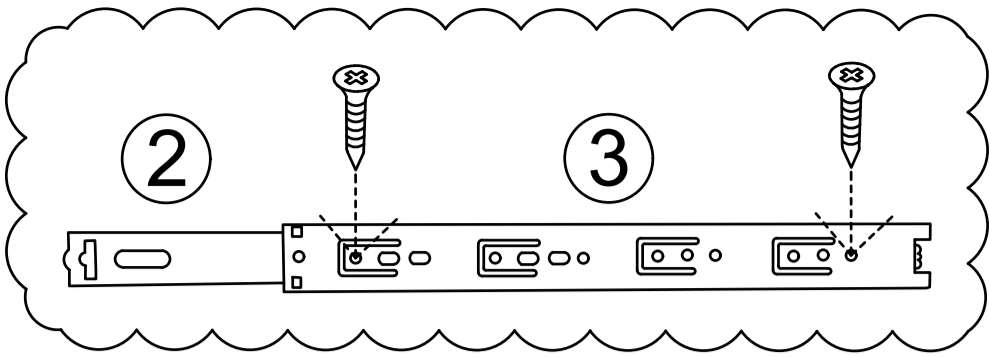
Step 20



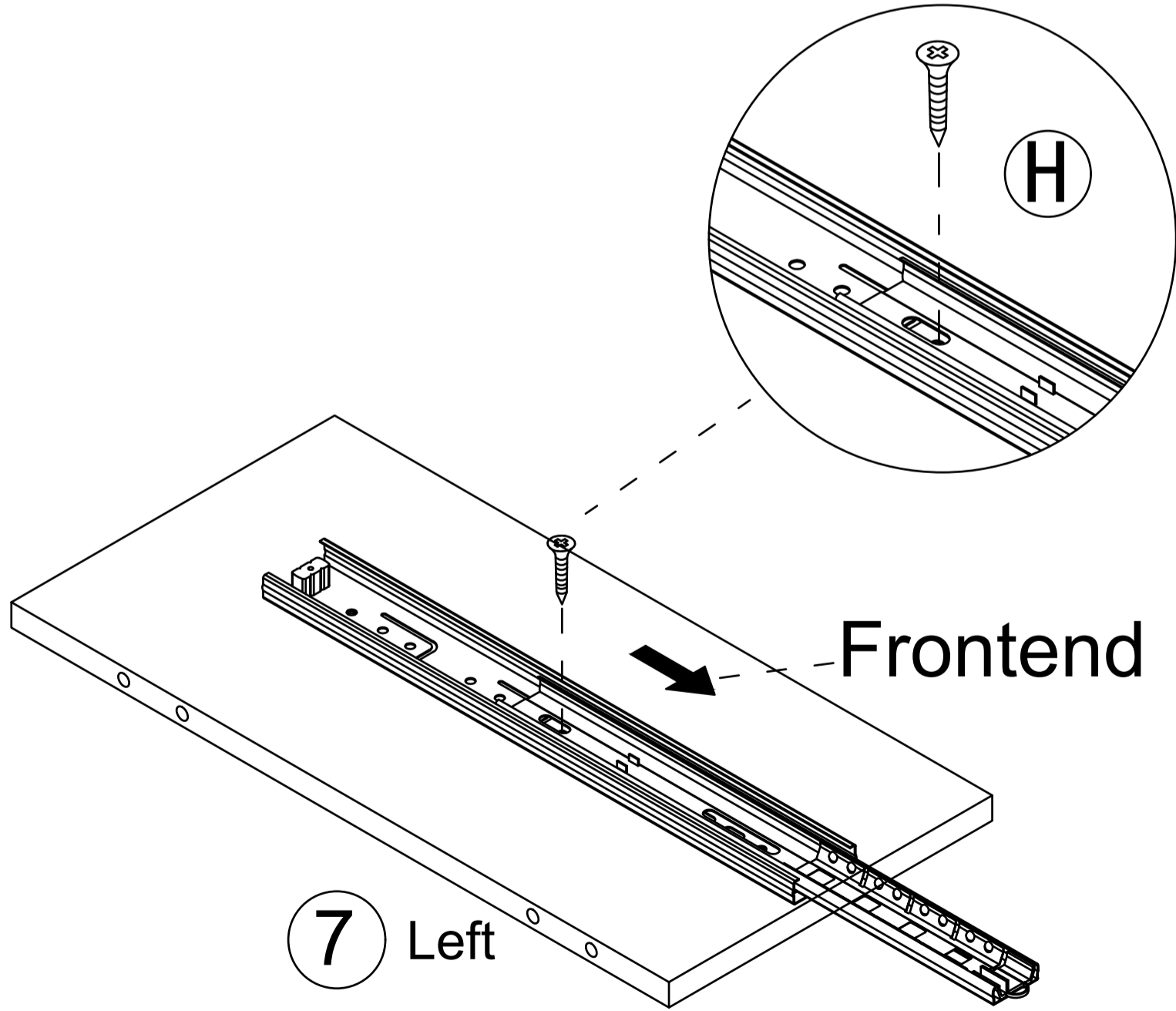
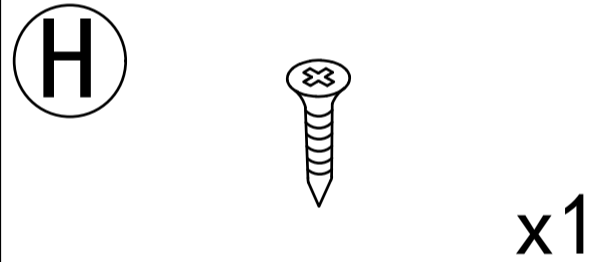
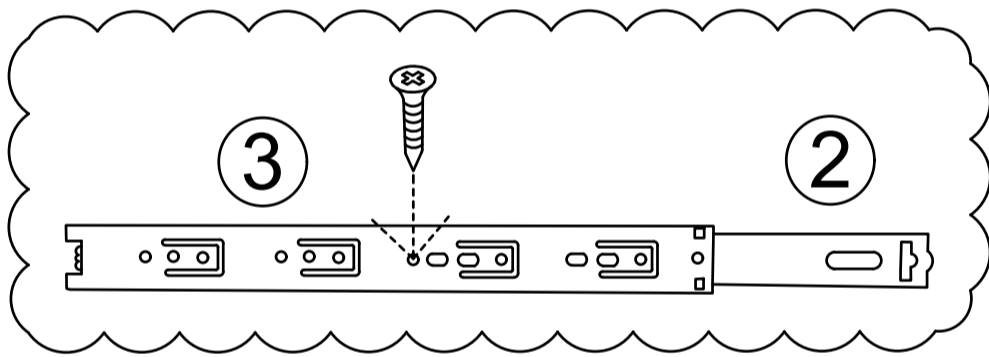
Step 21



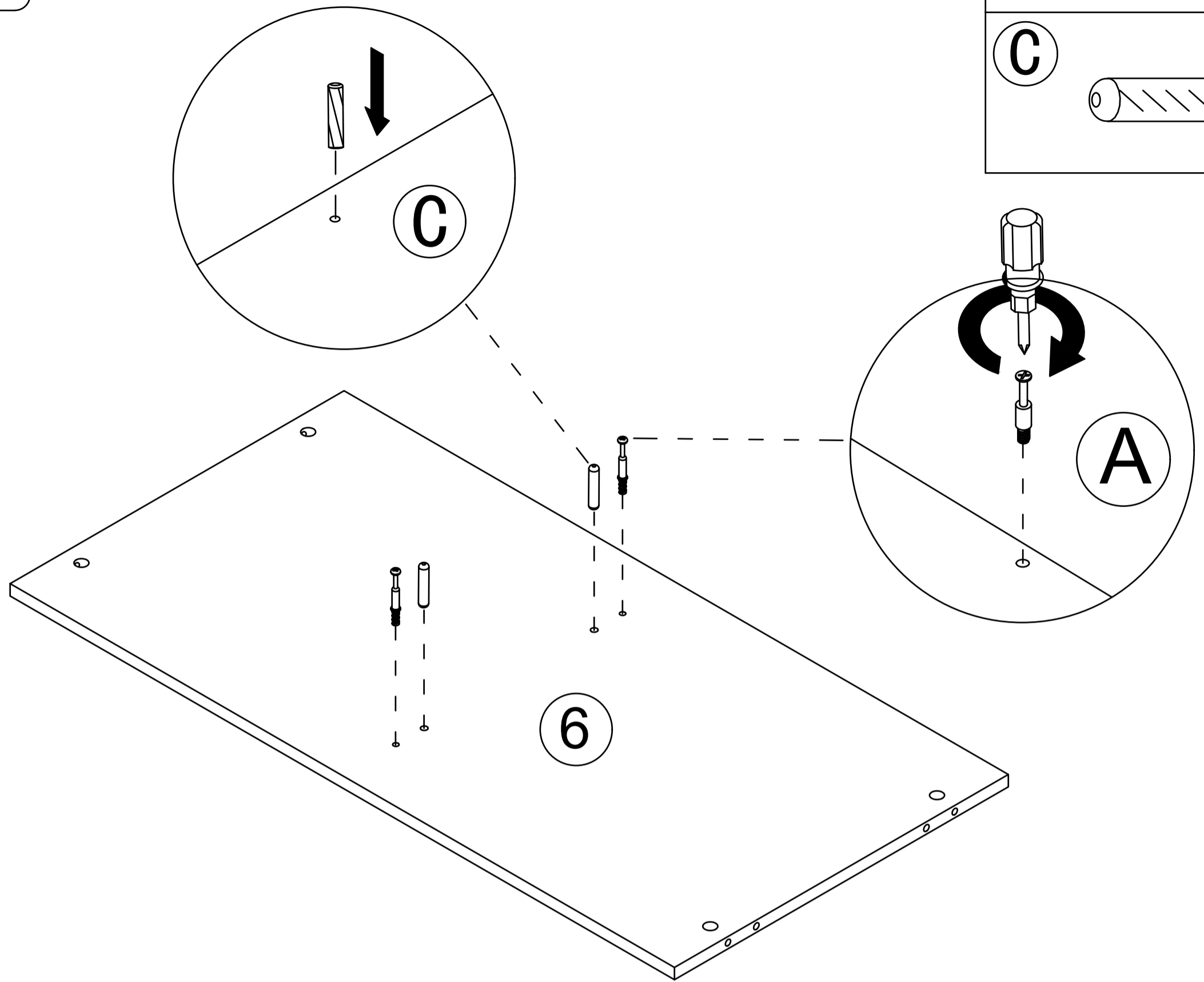
# Step 22



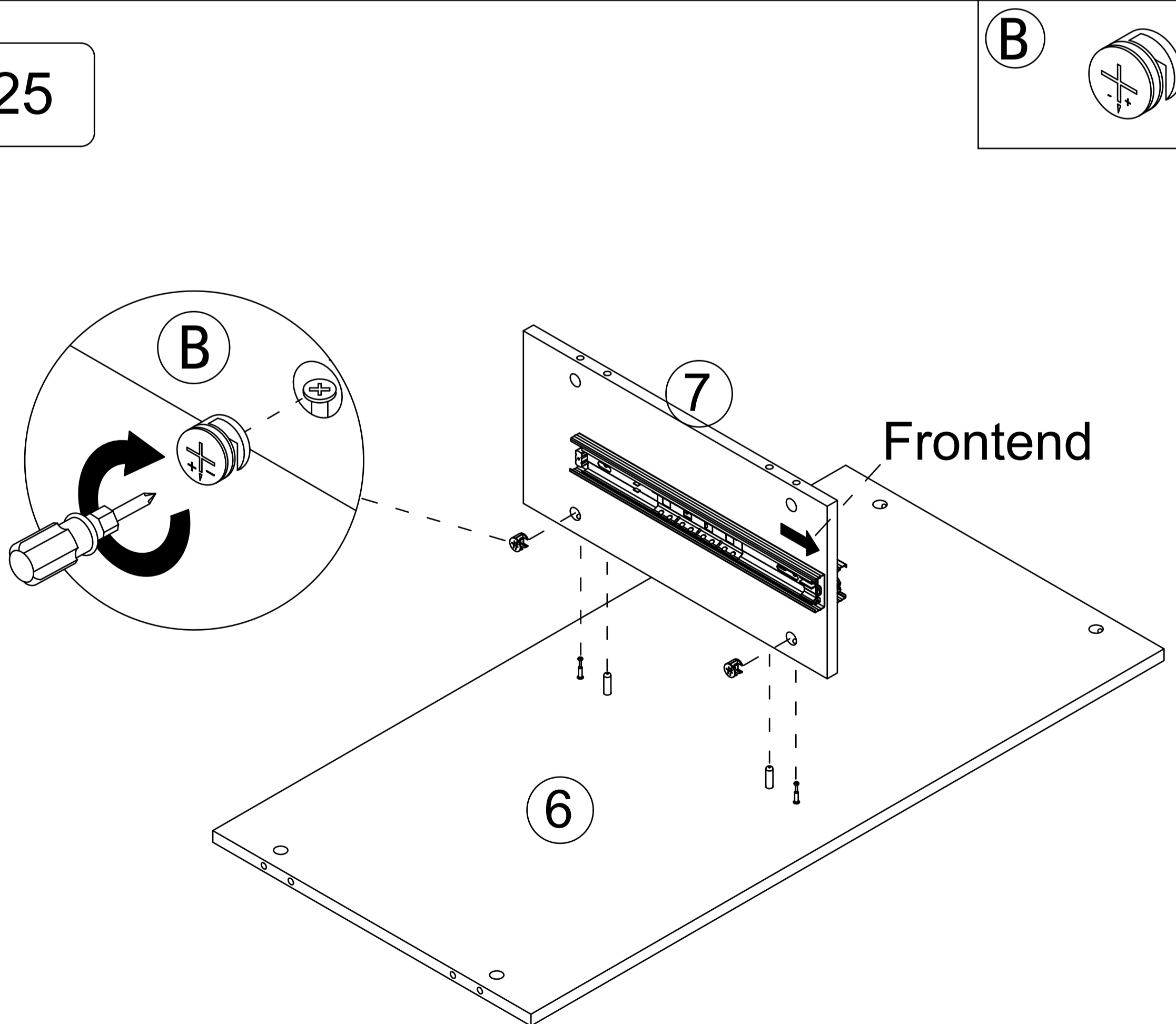
# Step 23



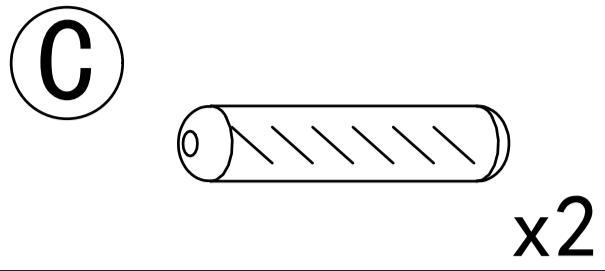
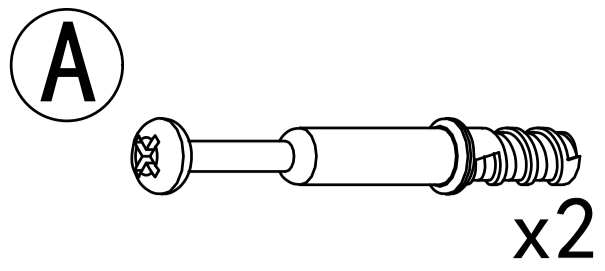
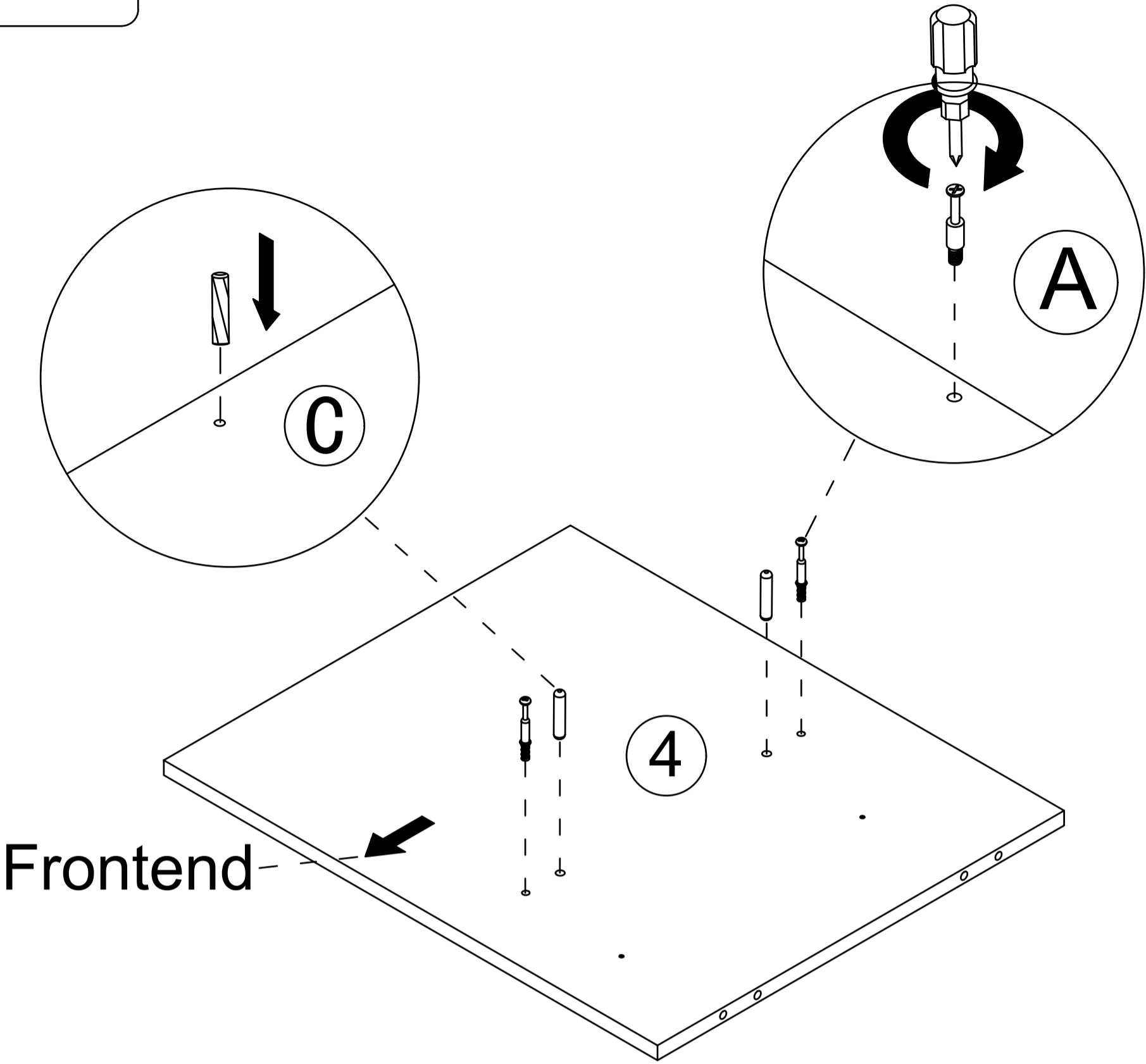
# Step 24



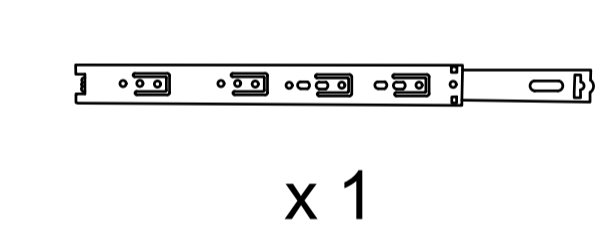
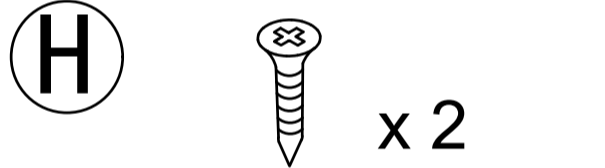
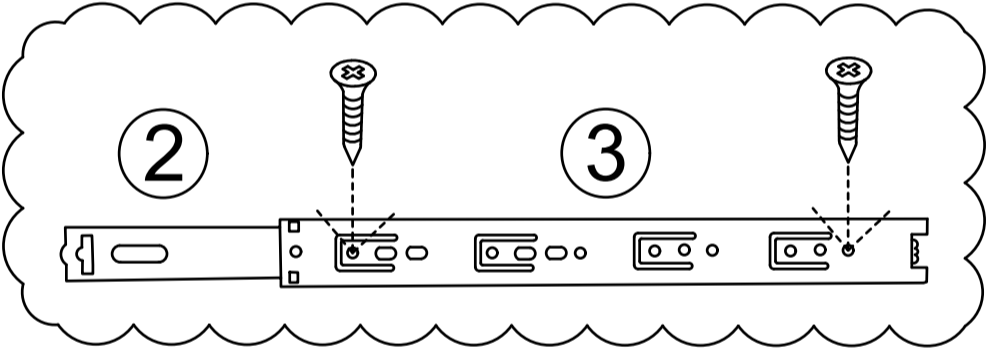
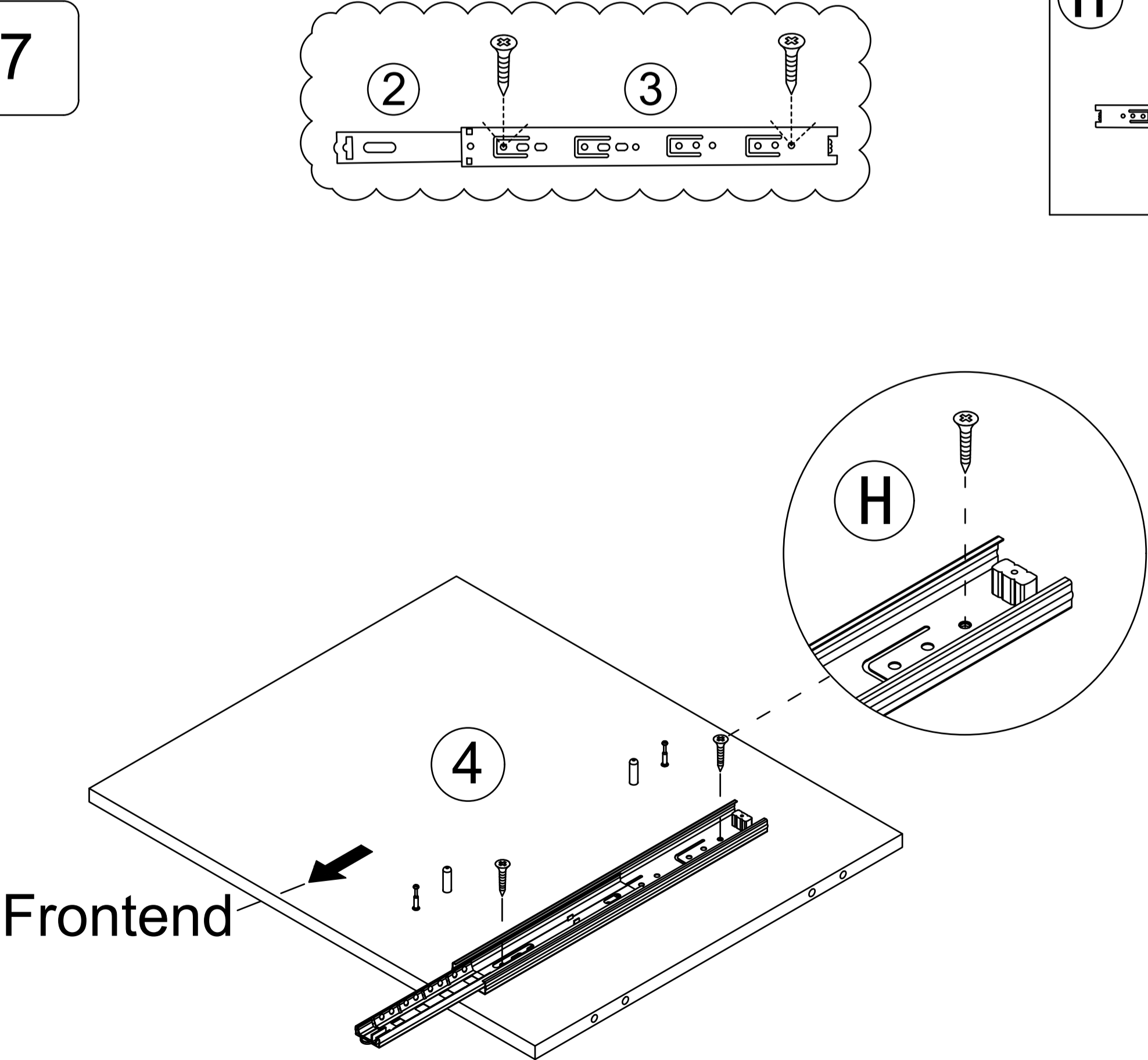
# Step 25



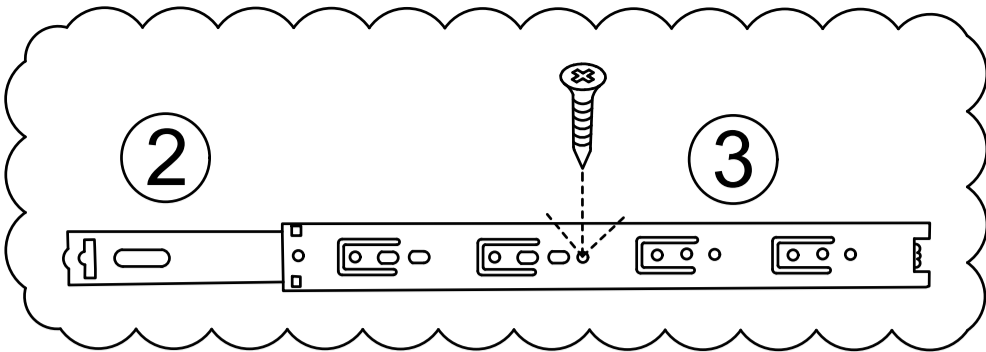
Step 26



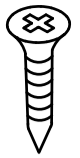
Step 27



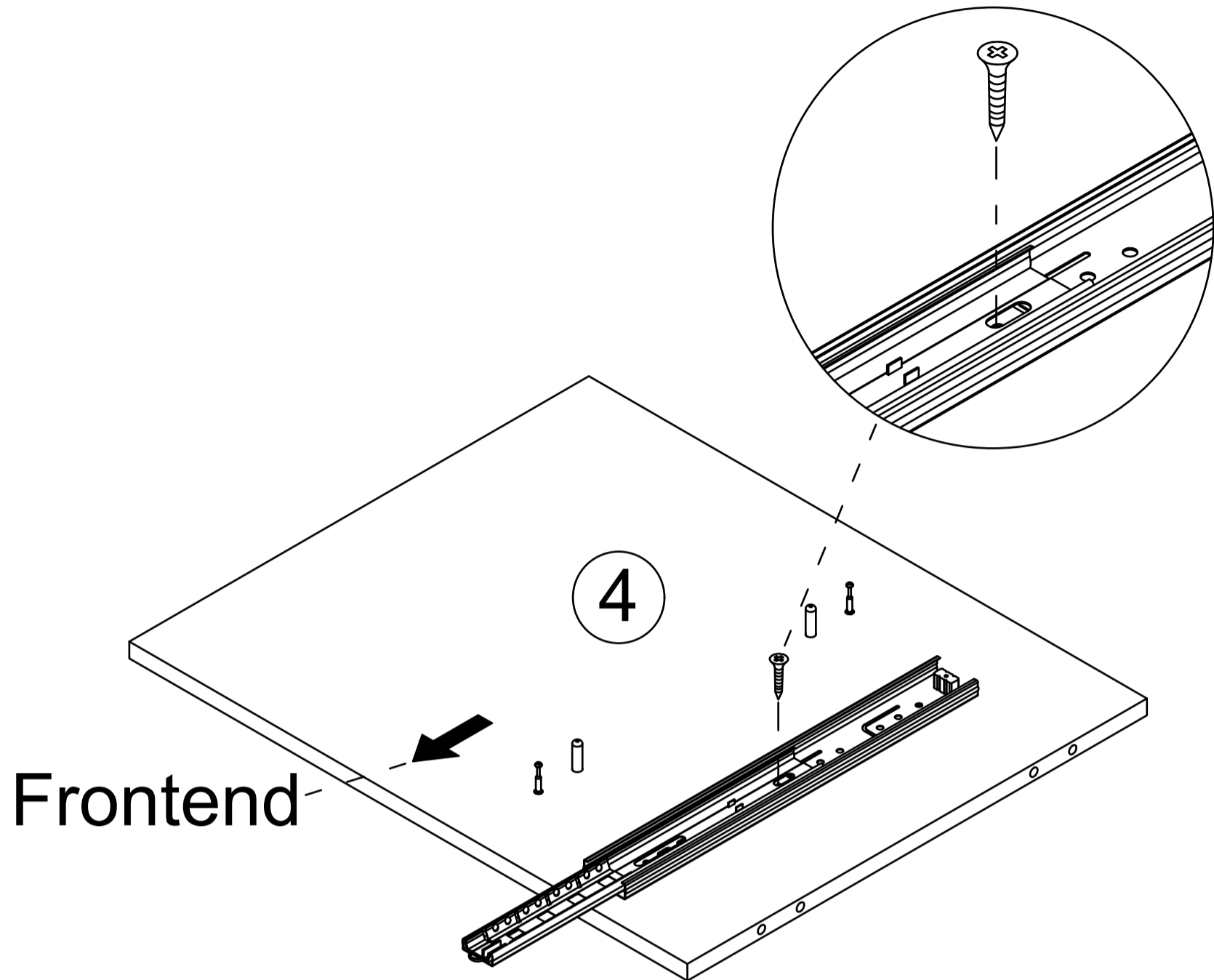
Step 28



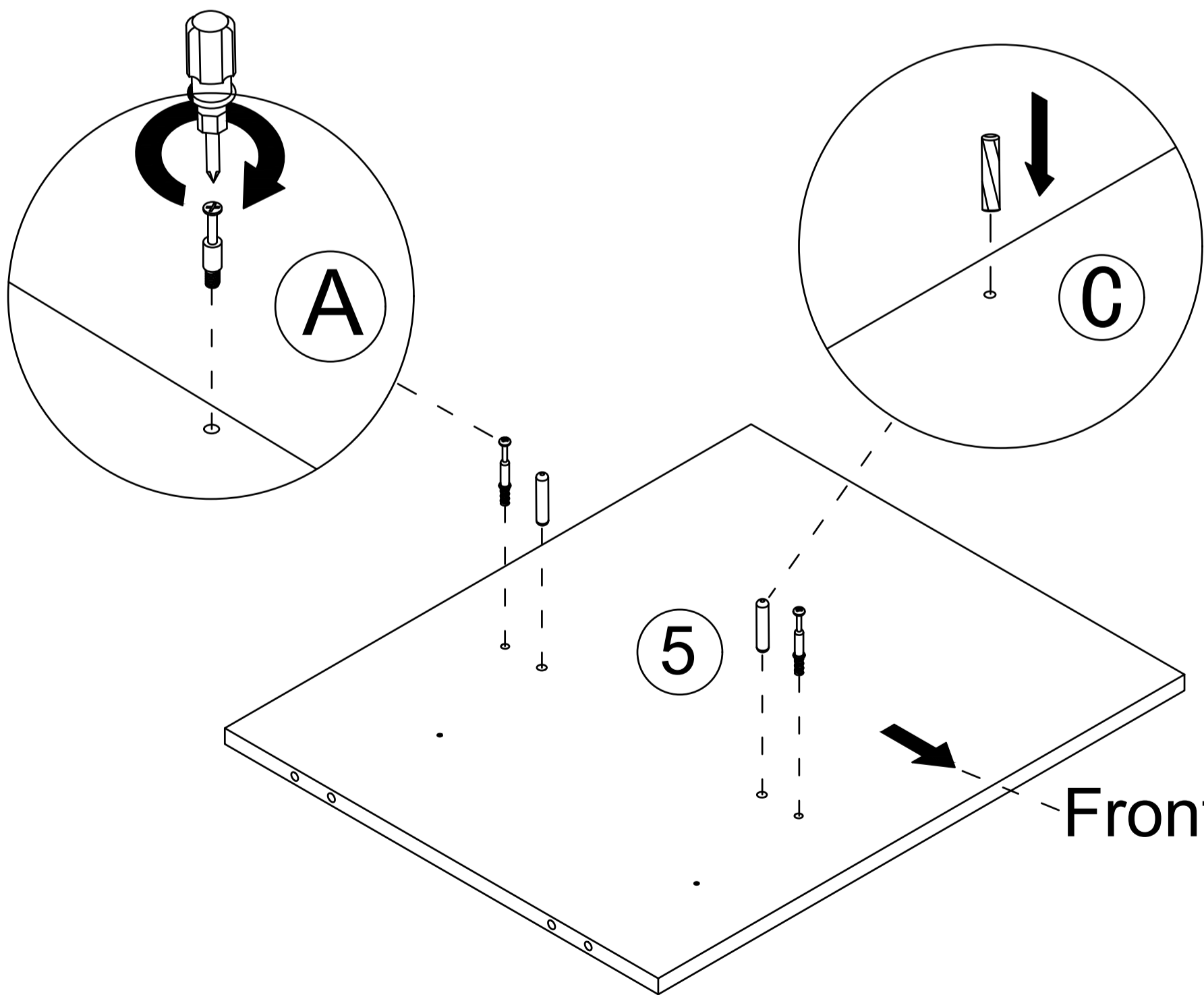
H



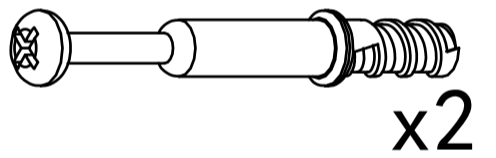
x1



Step 29



A



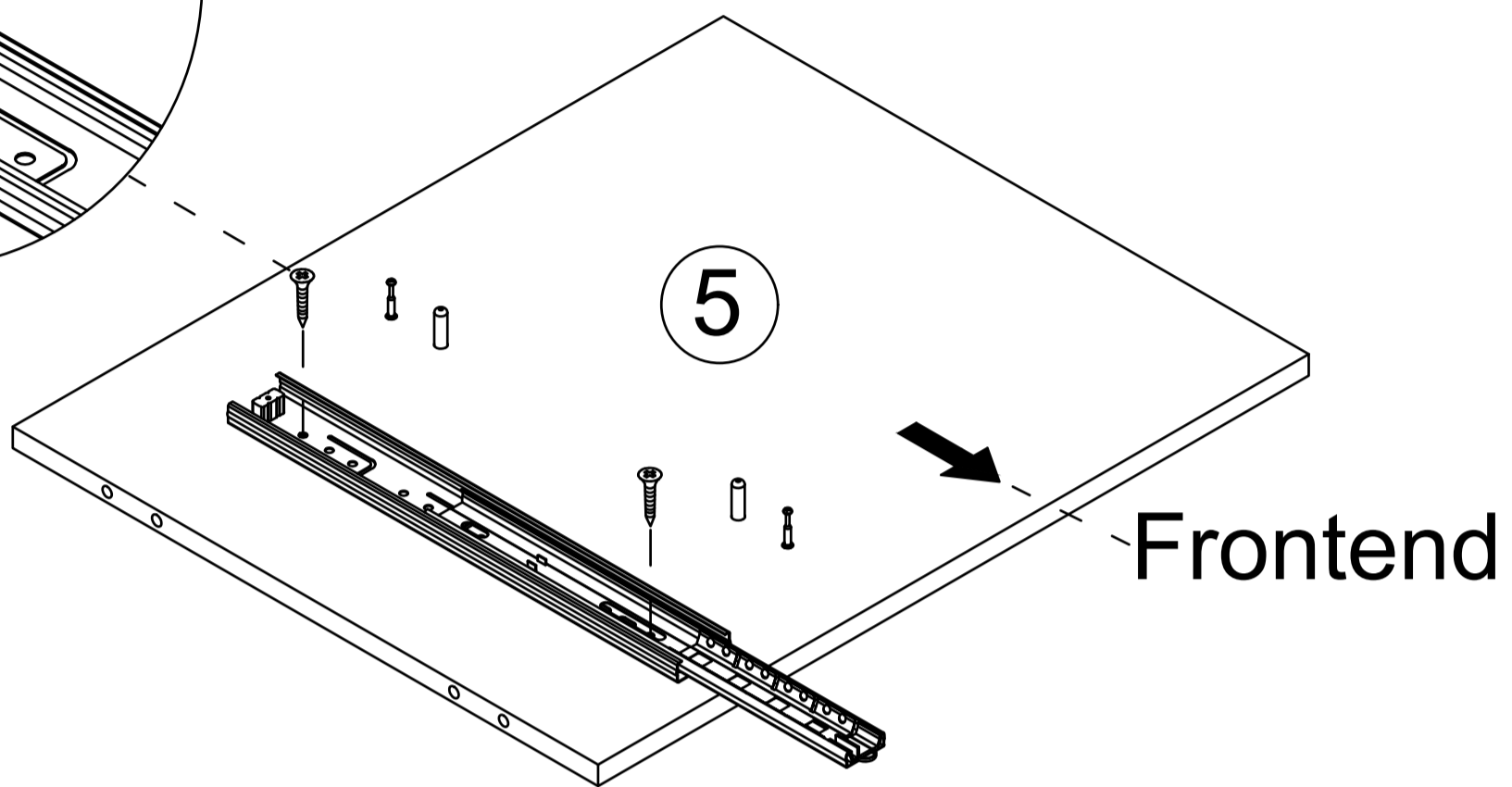
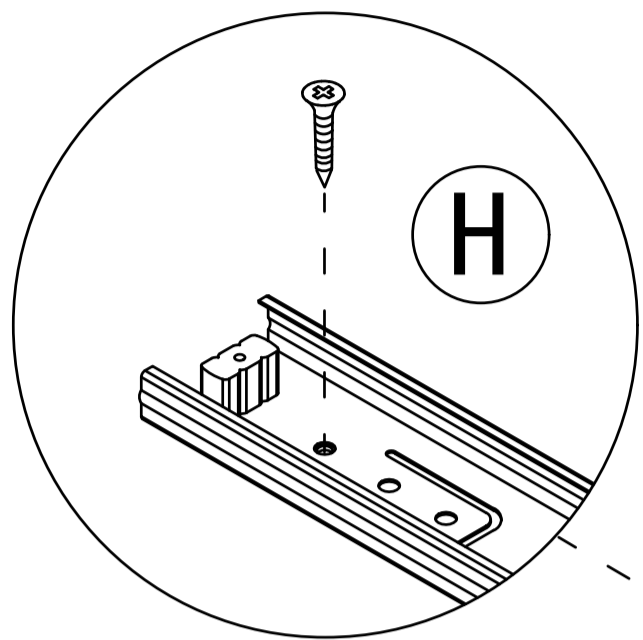
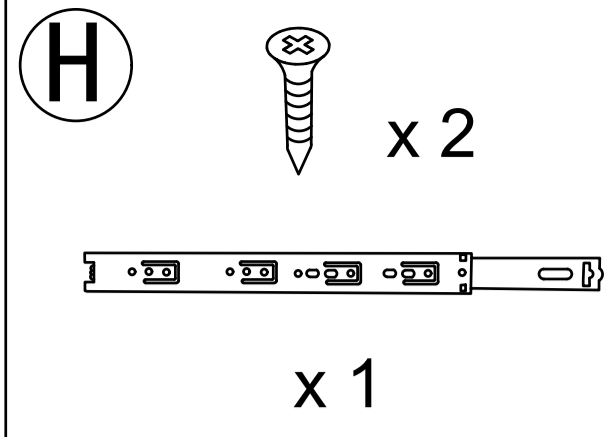
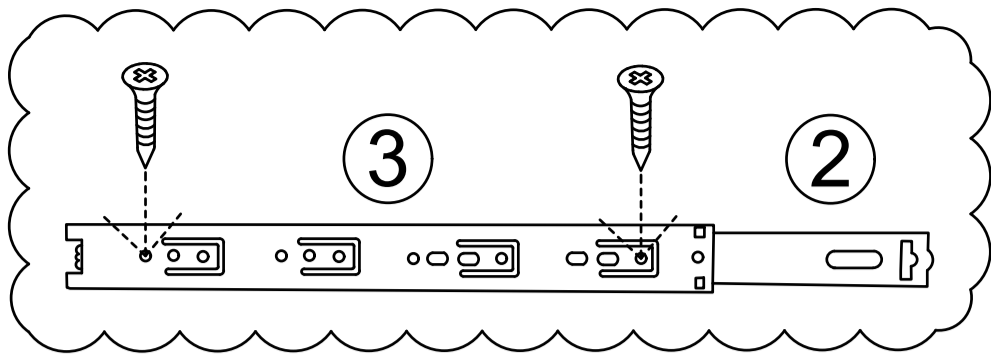
x2

C

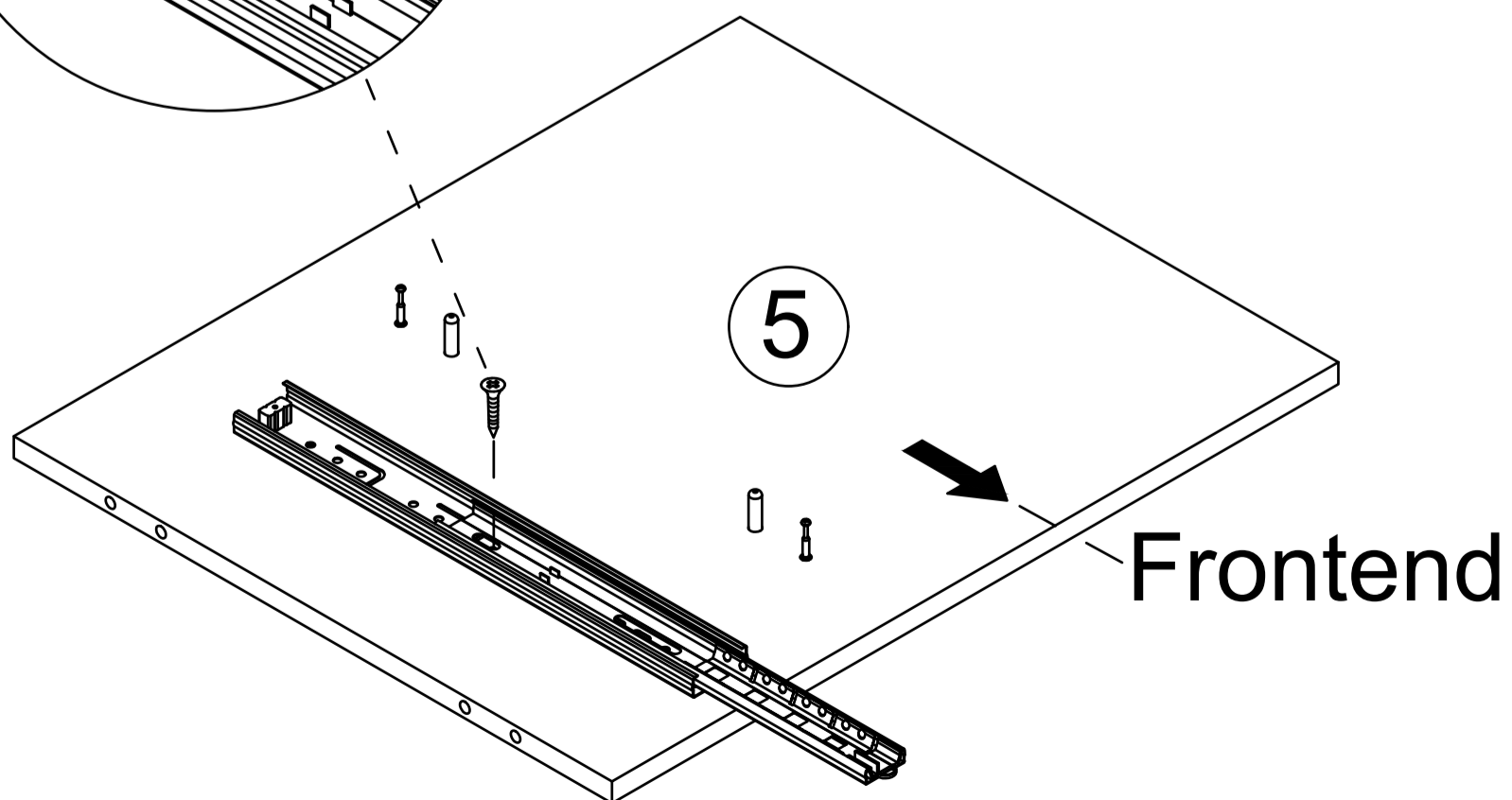
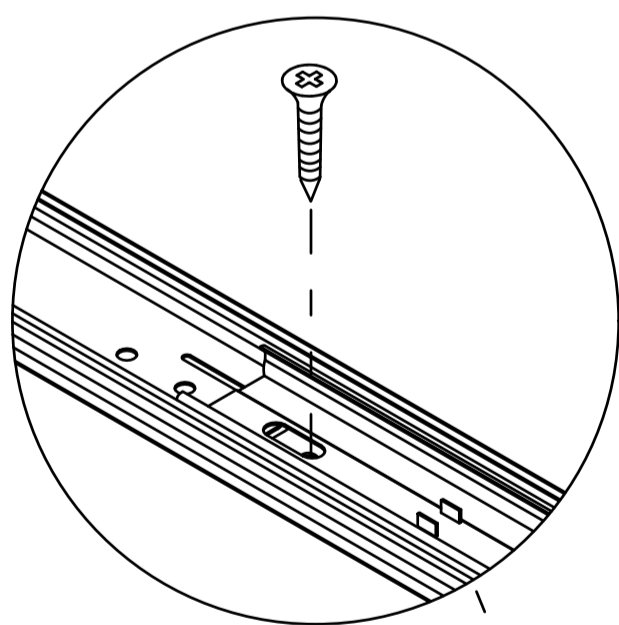
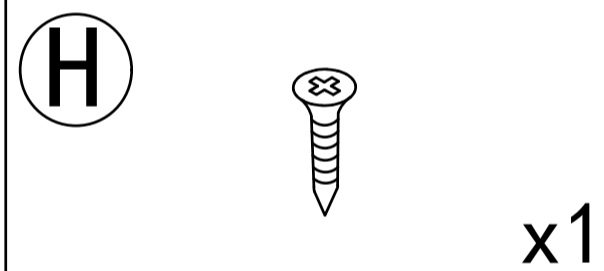
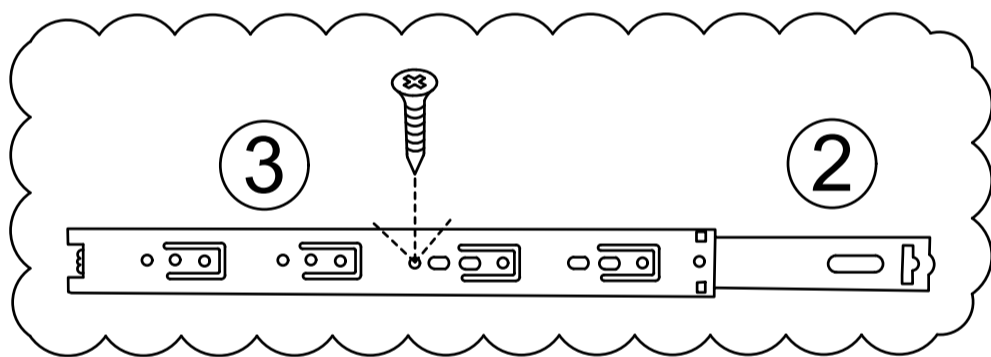


x2

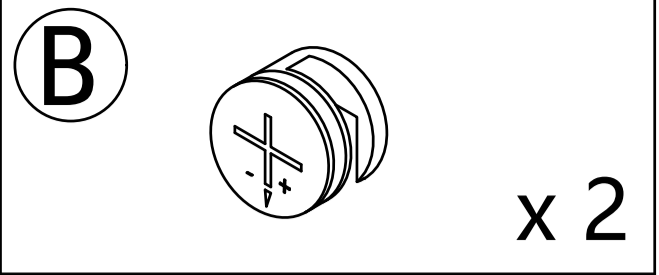
# Step 30



# Step 31

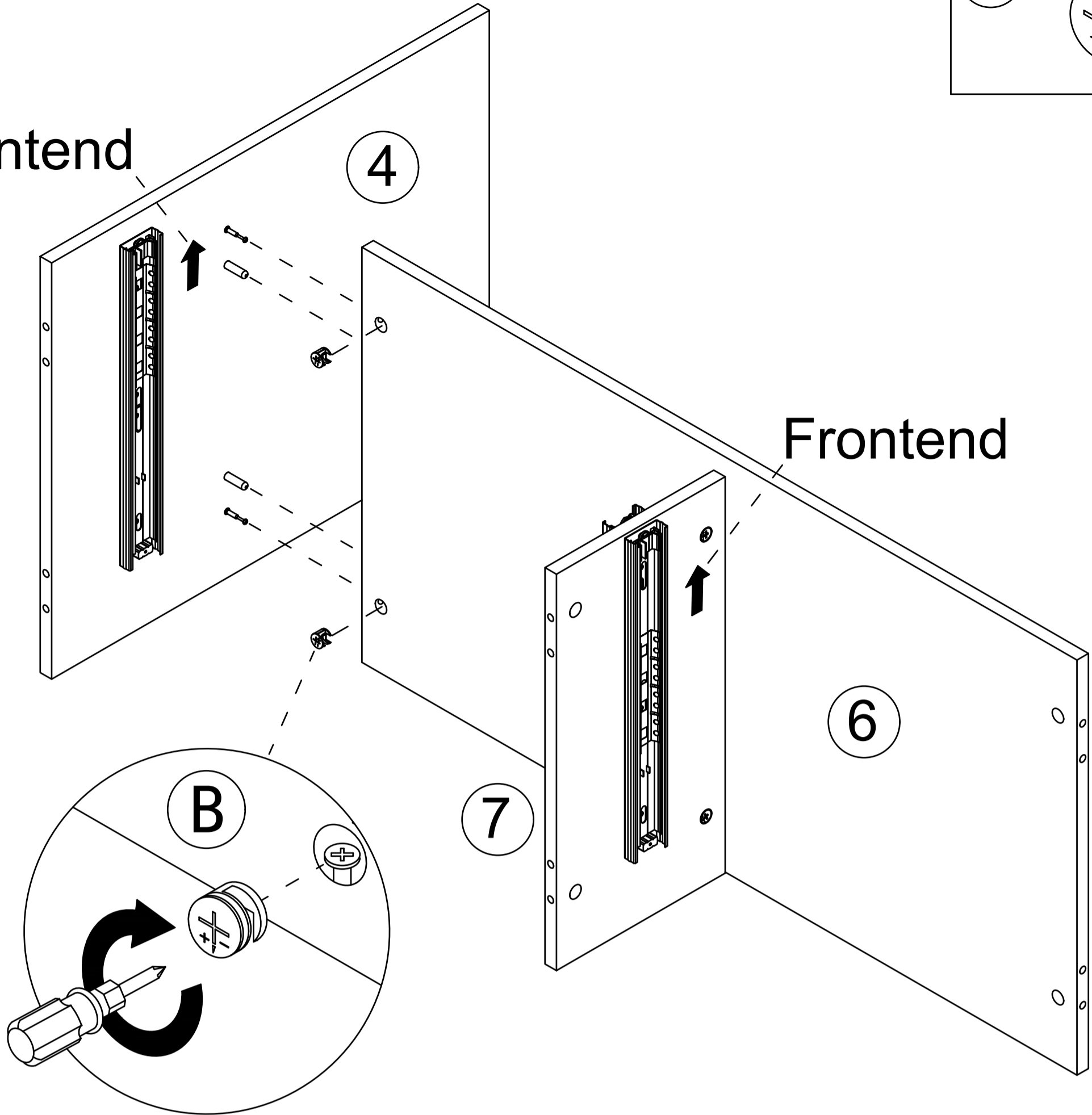


# Step 32



Frontend

4



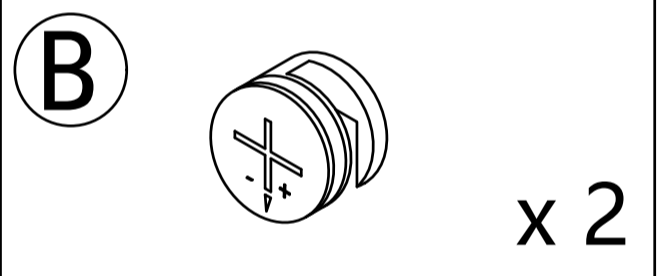
Frontend

6

7

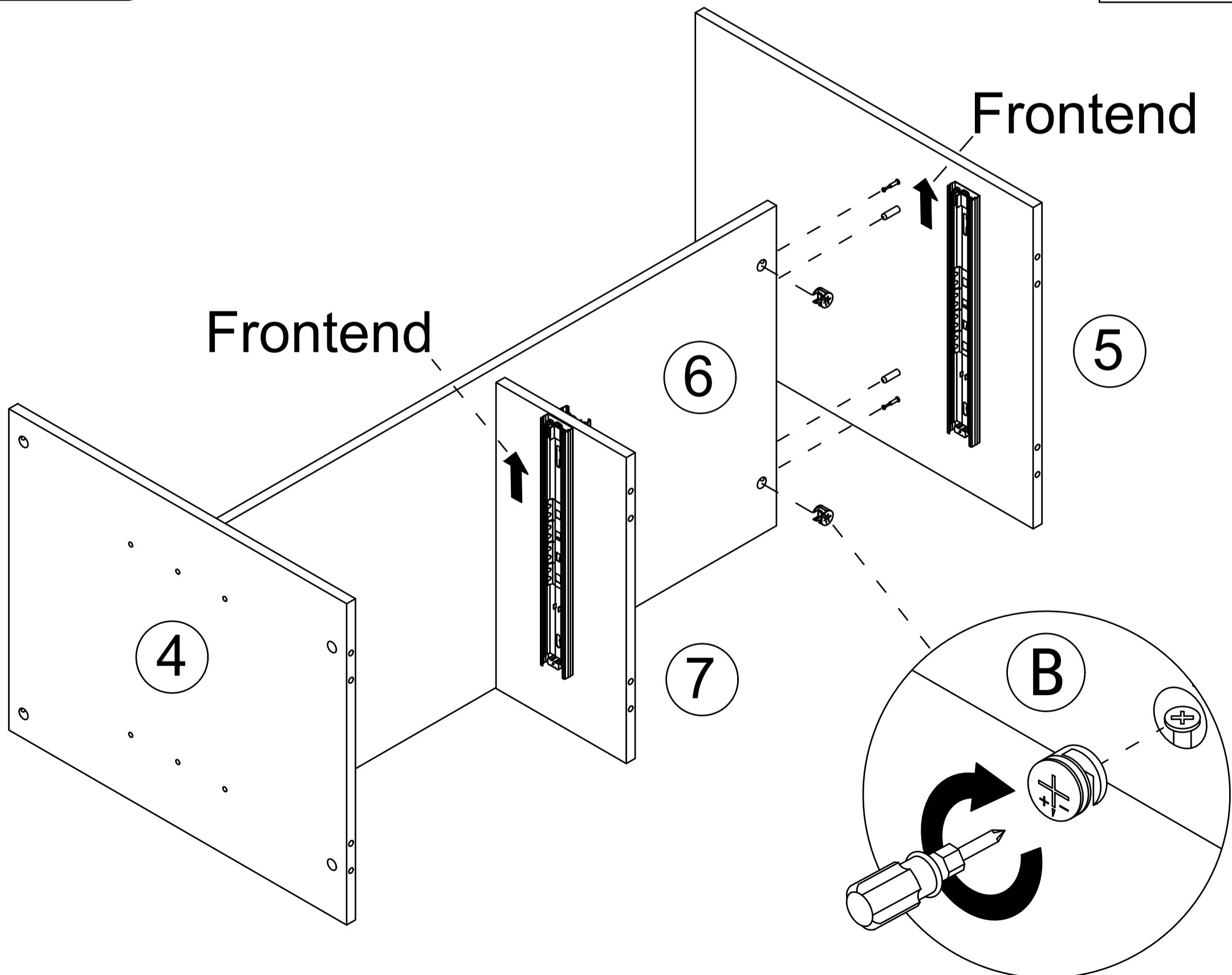
B

# Step 33



Frontend

Frontend



4

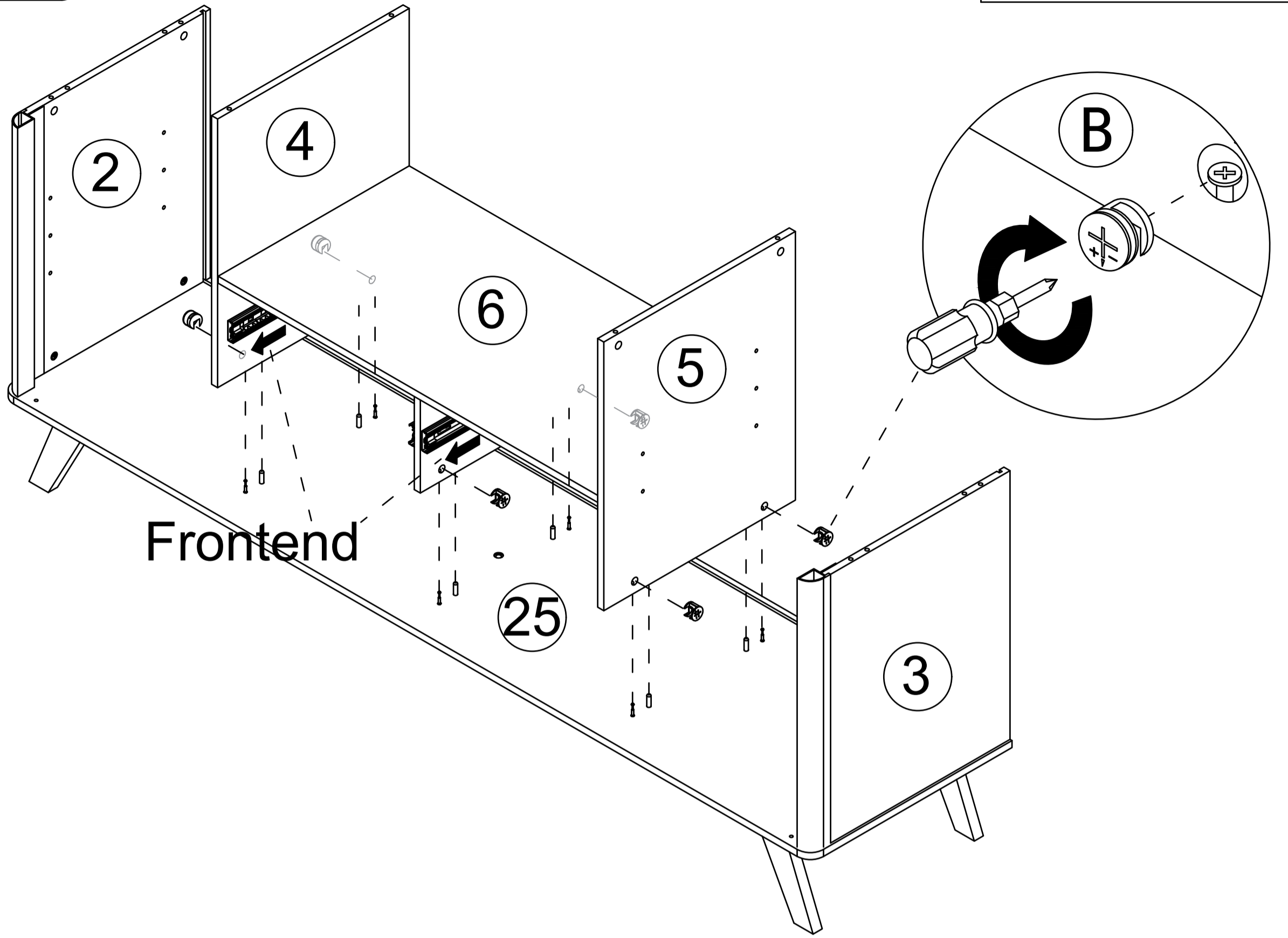
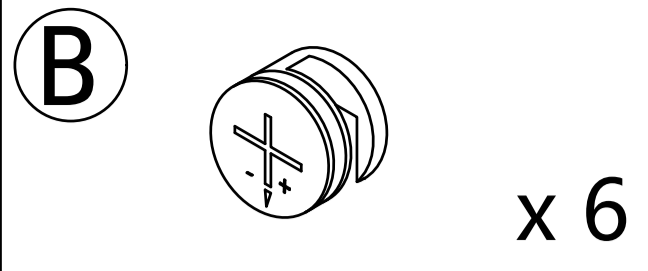
6

5

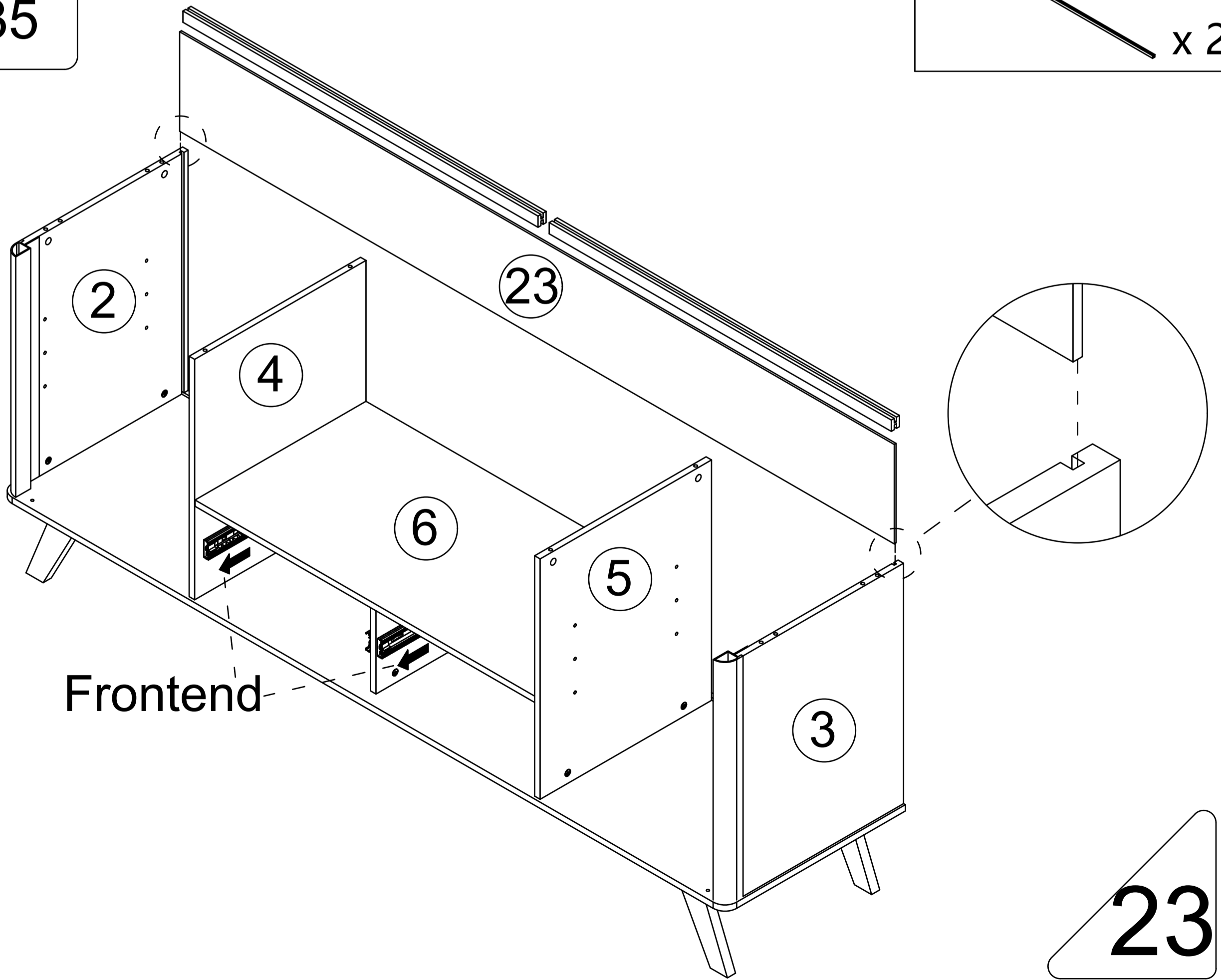
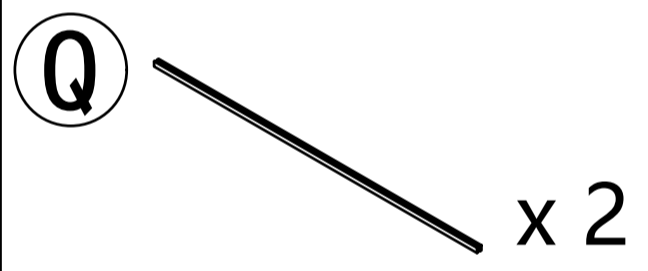
7

B

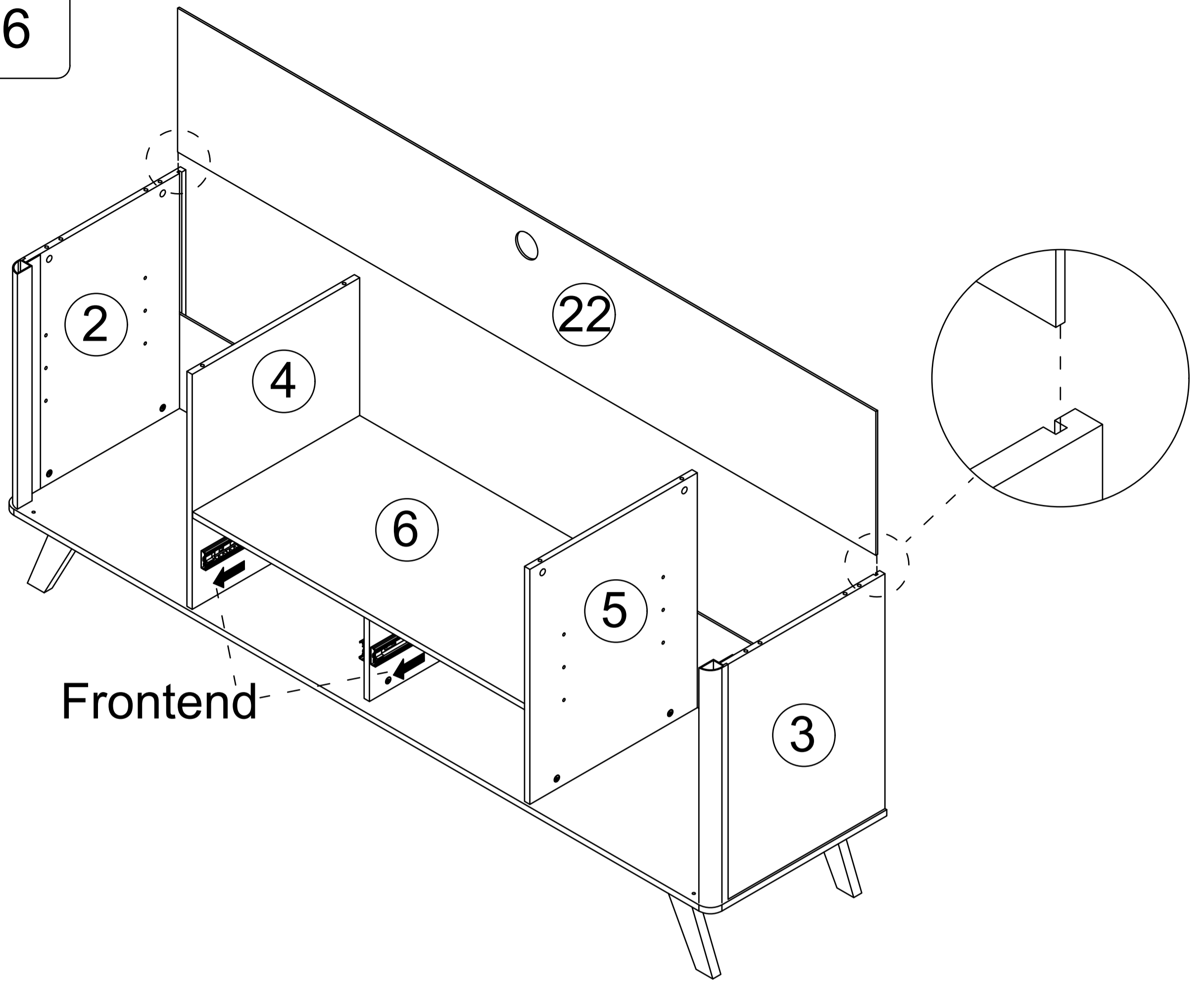
Step 34



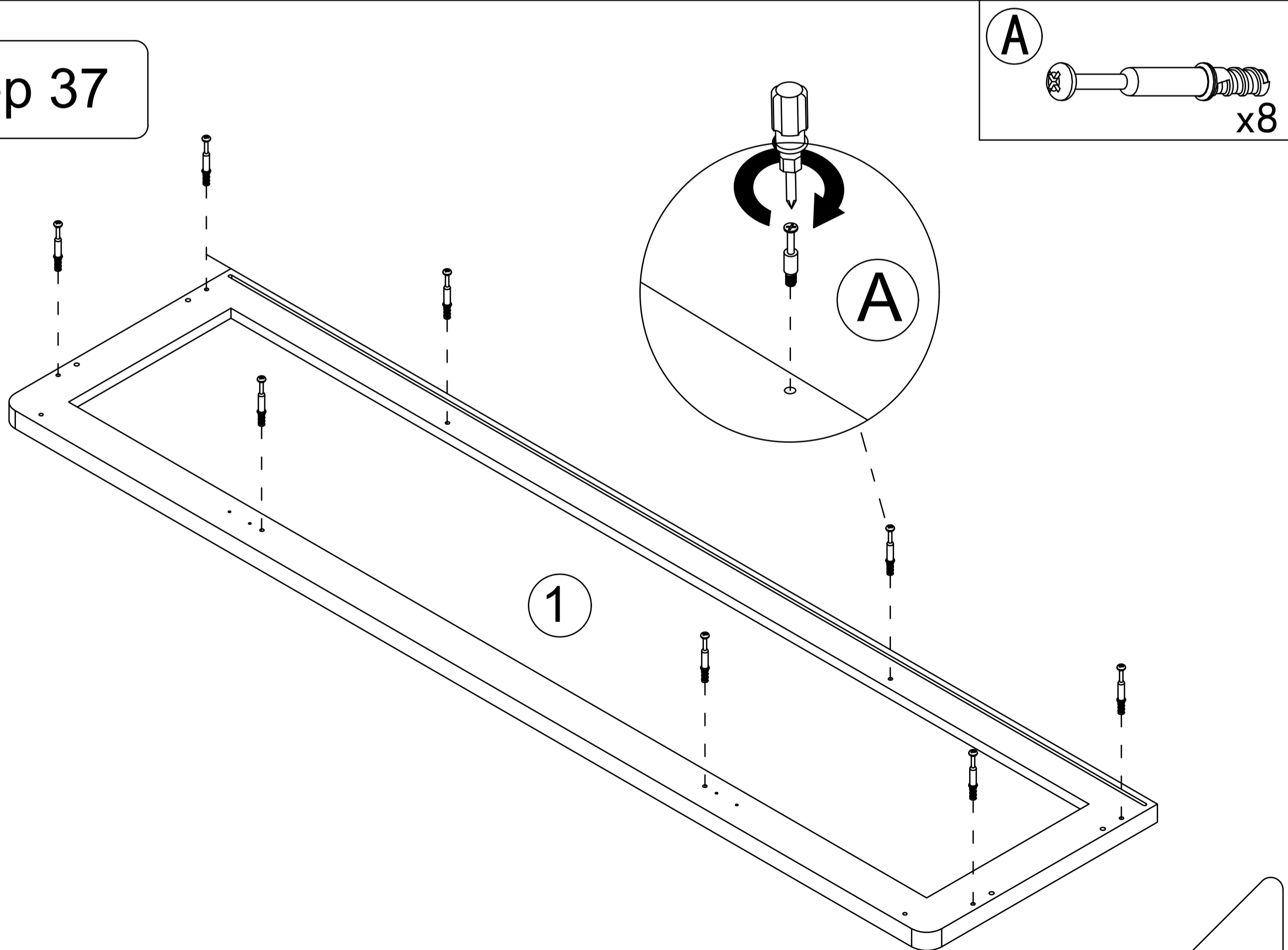
Step 35



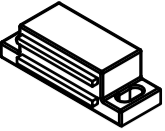
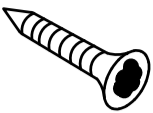
Step 36

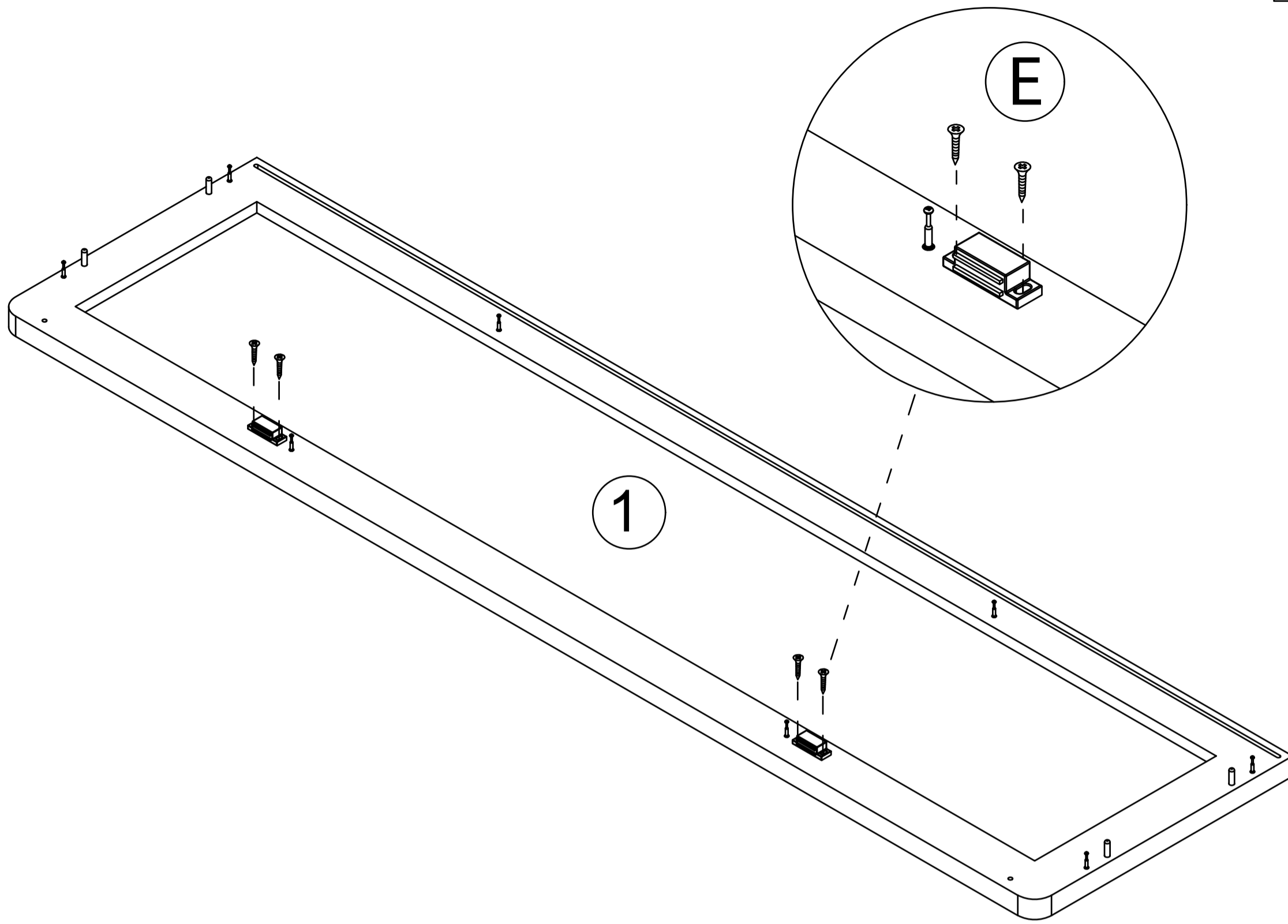


Step 37

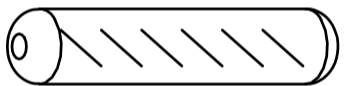


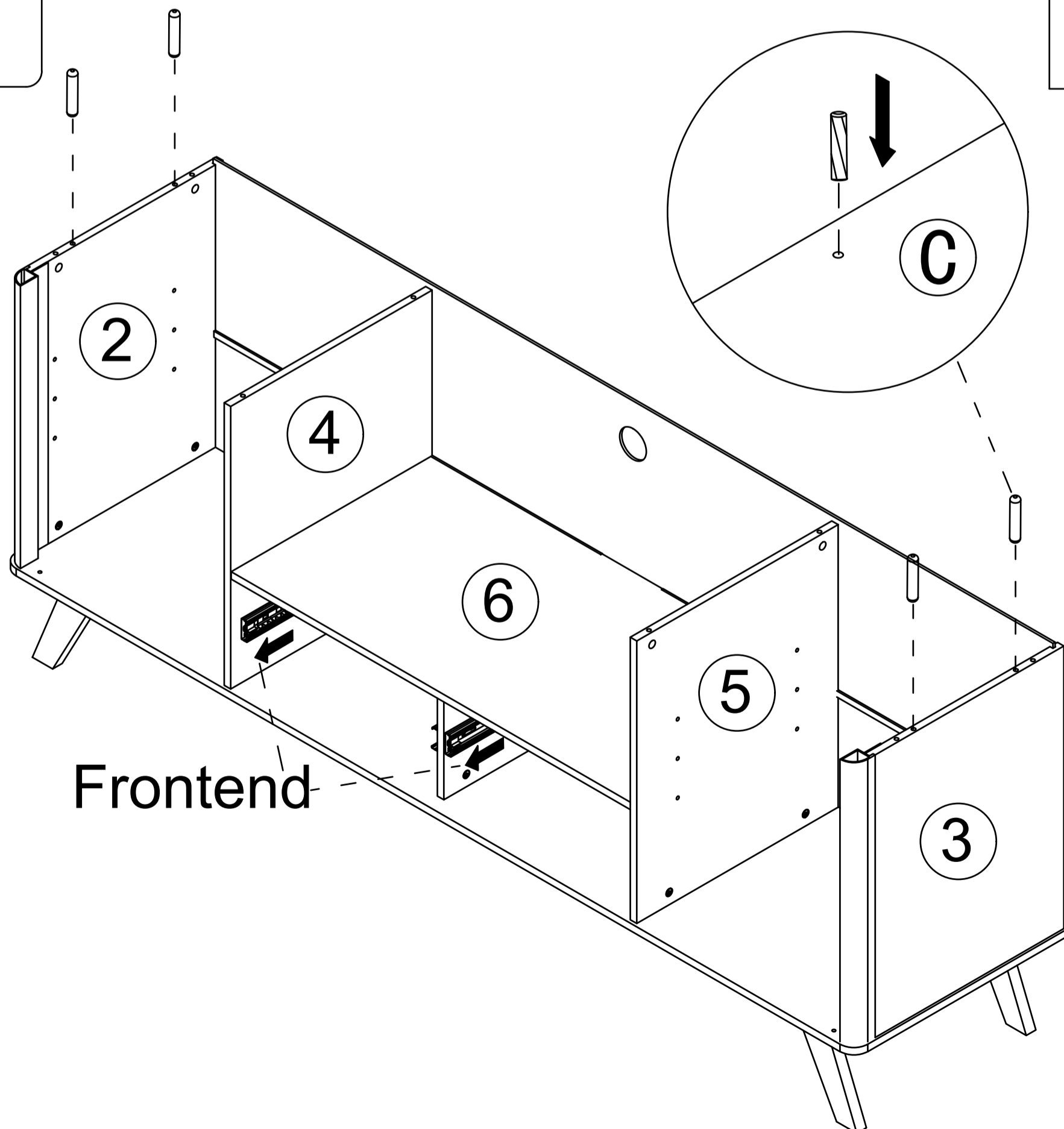
# Step 38

**E**  x2  
 x4



# Step 39

**C**  x4

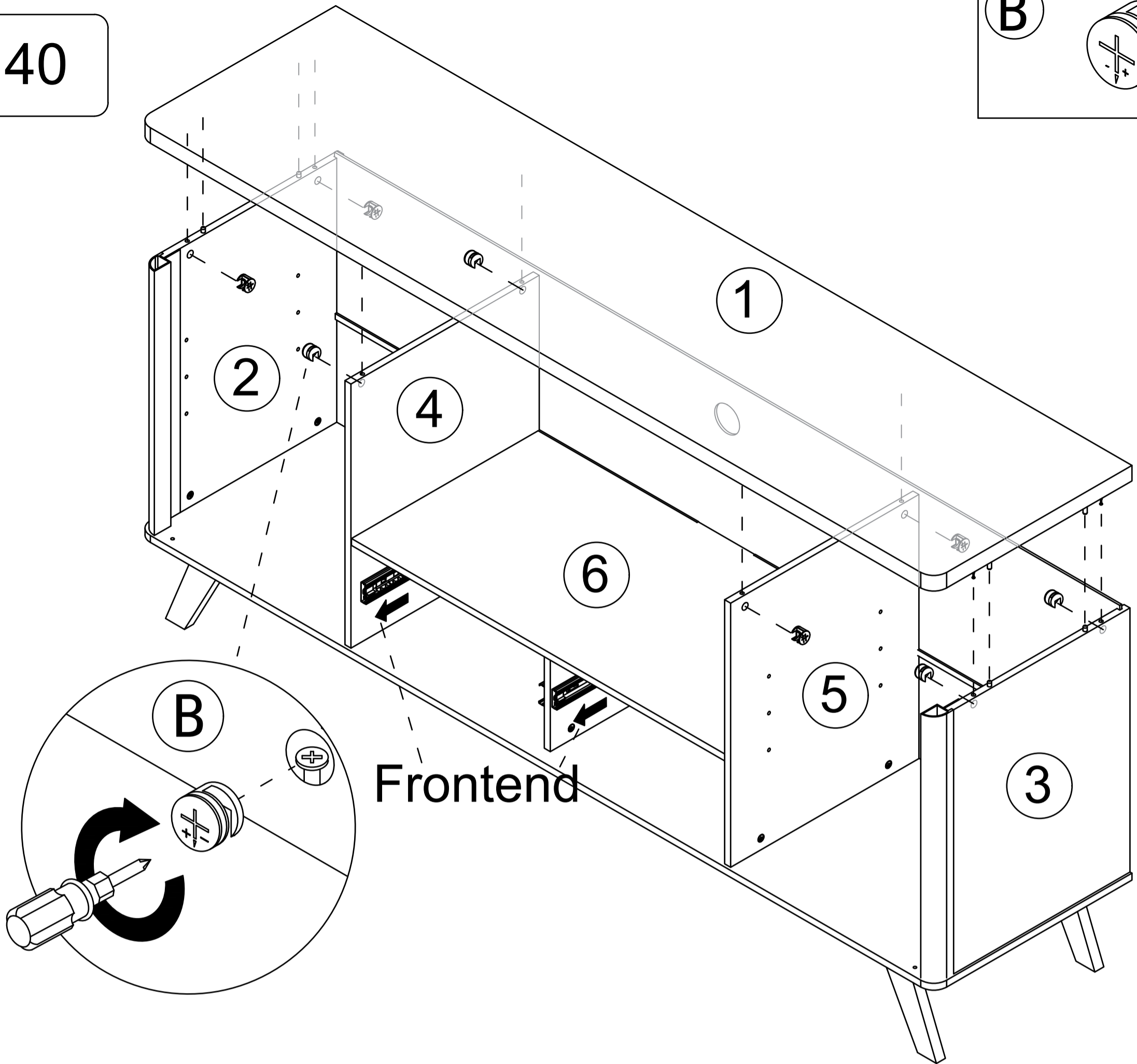


# Step 40

**B**

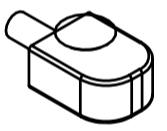


x 8

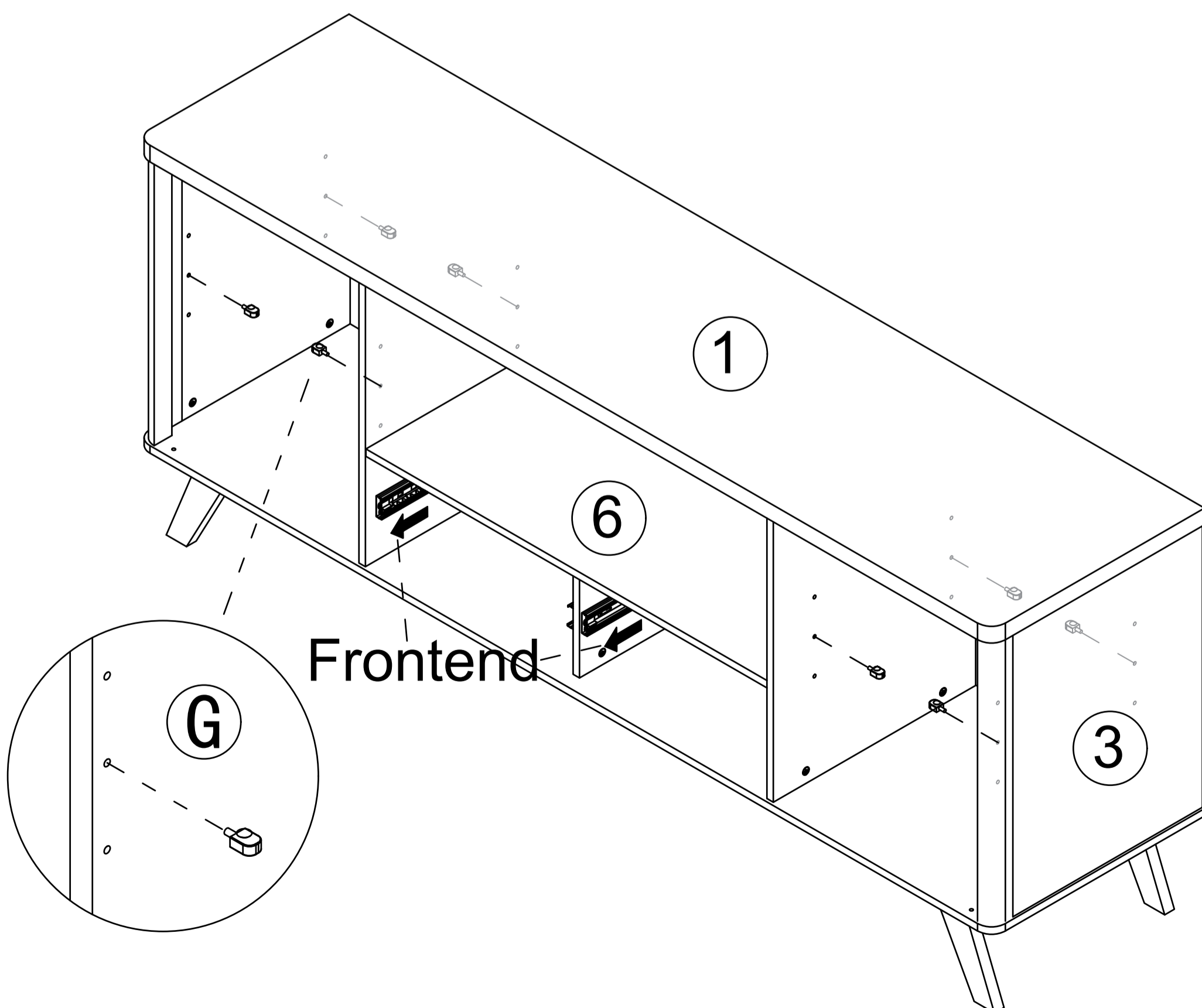


# Step 41

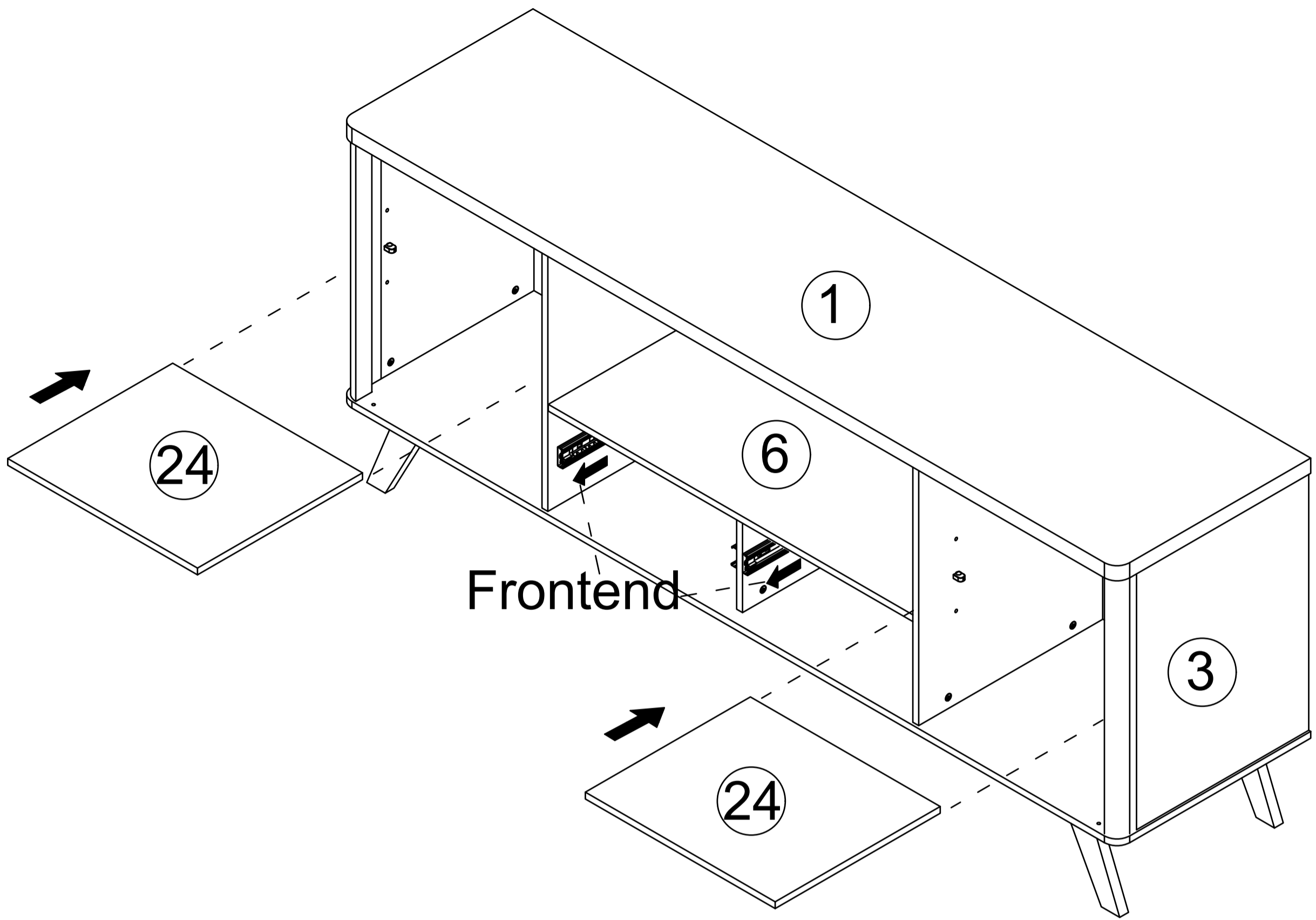
**G**



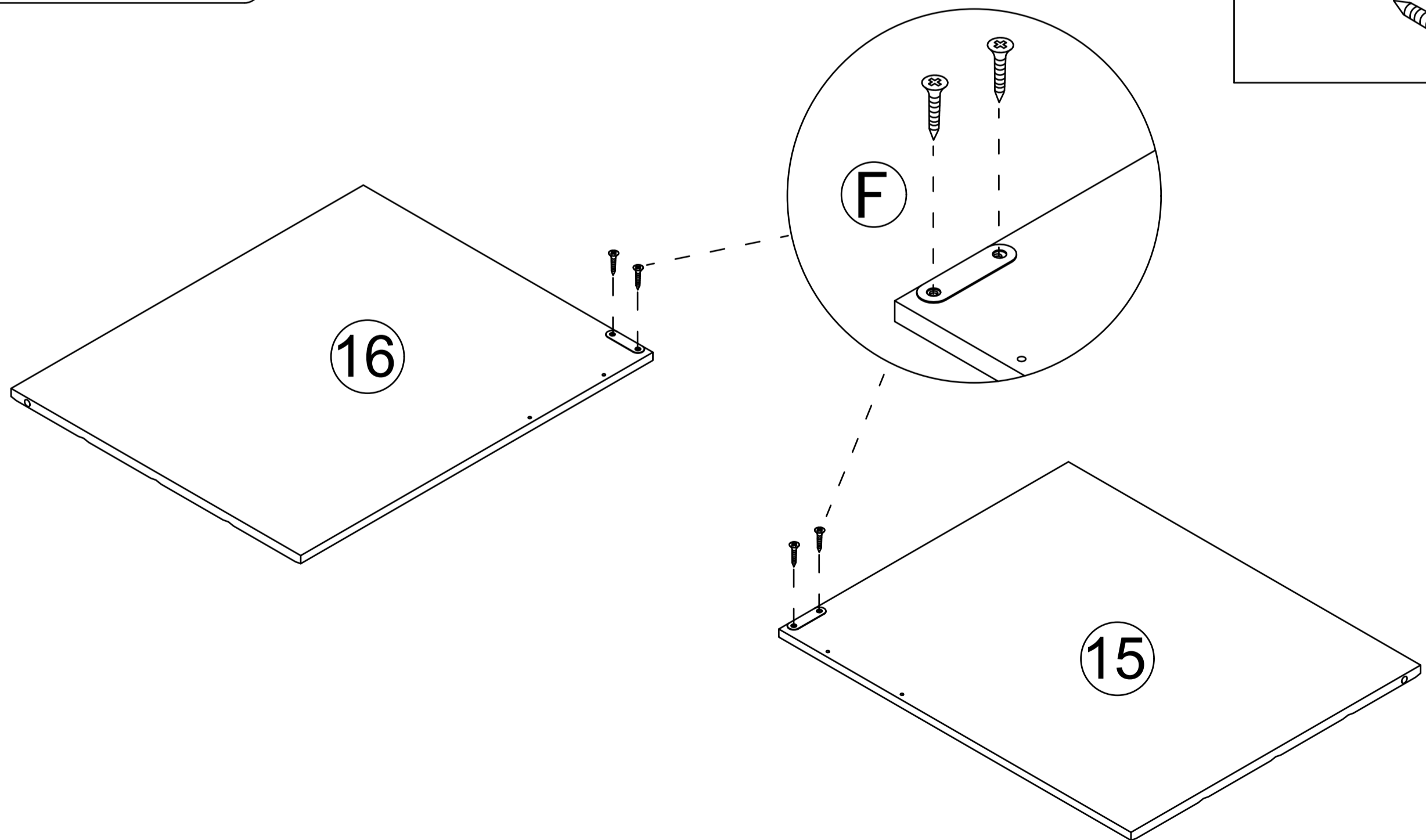
x 8

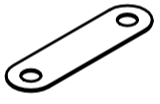



Step 42

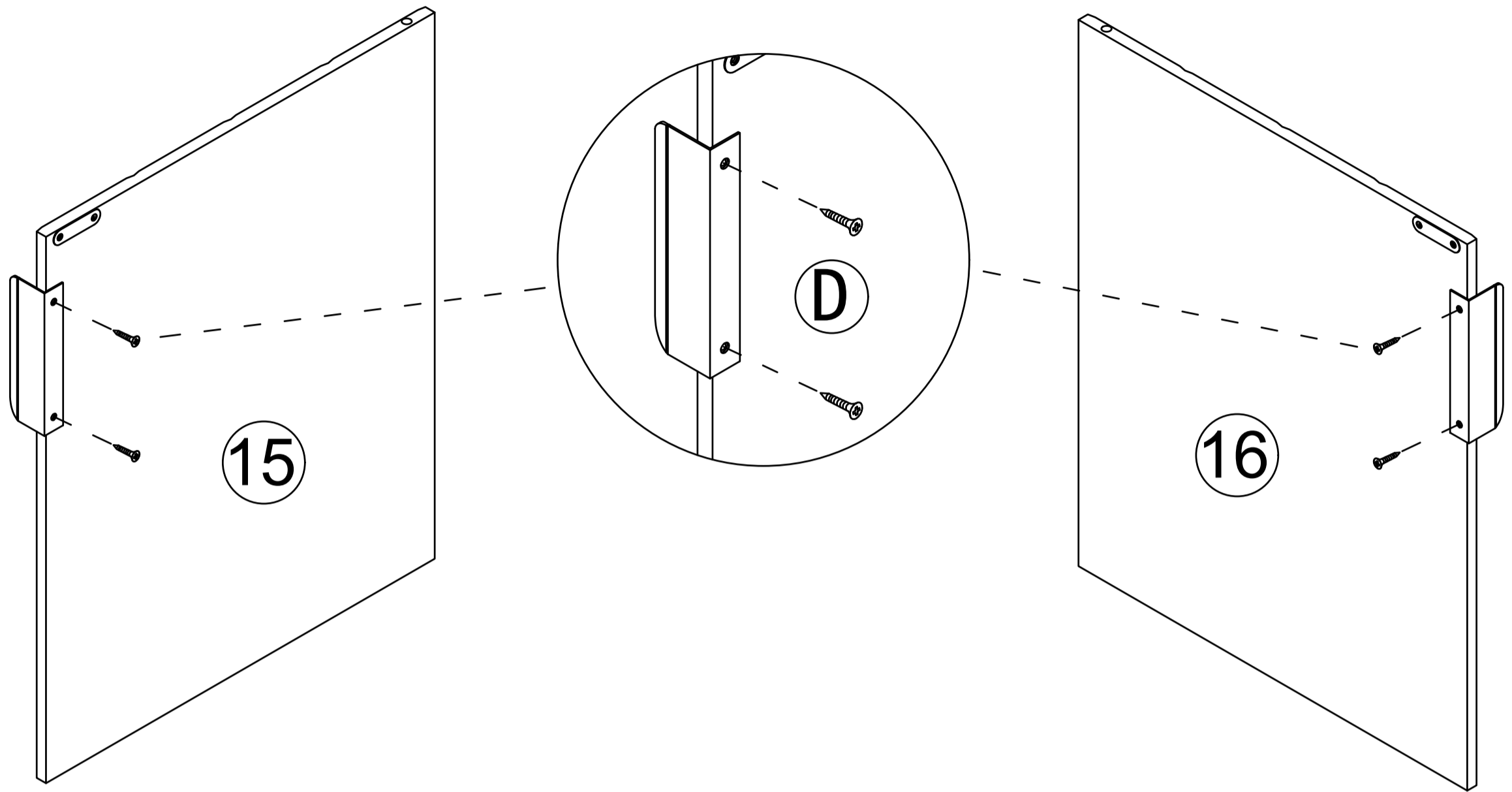
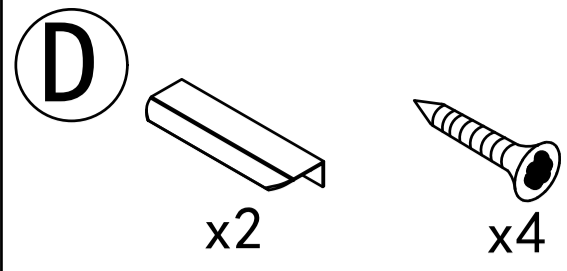


Step 43

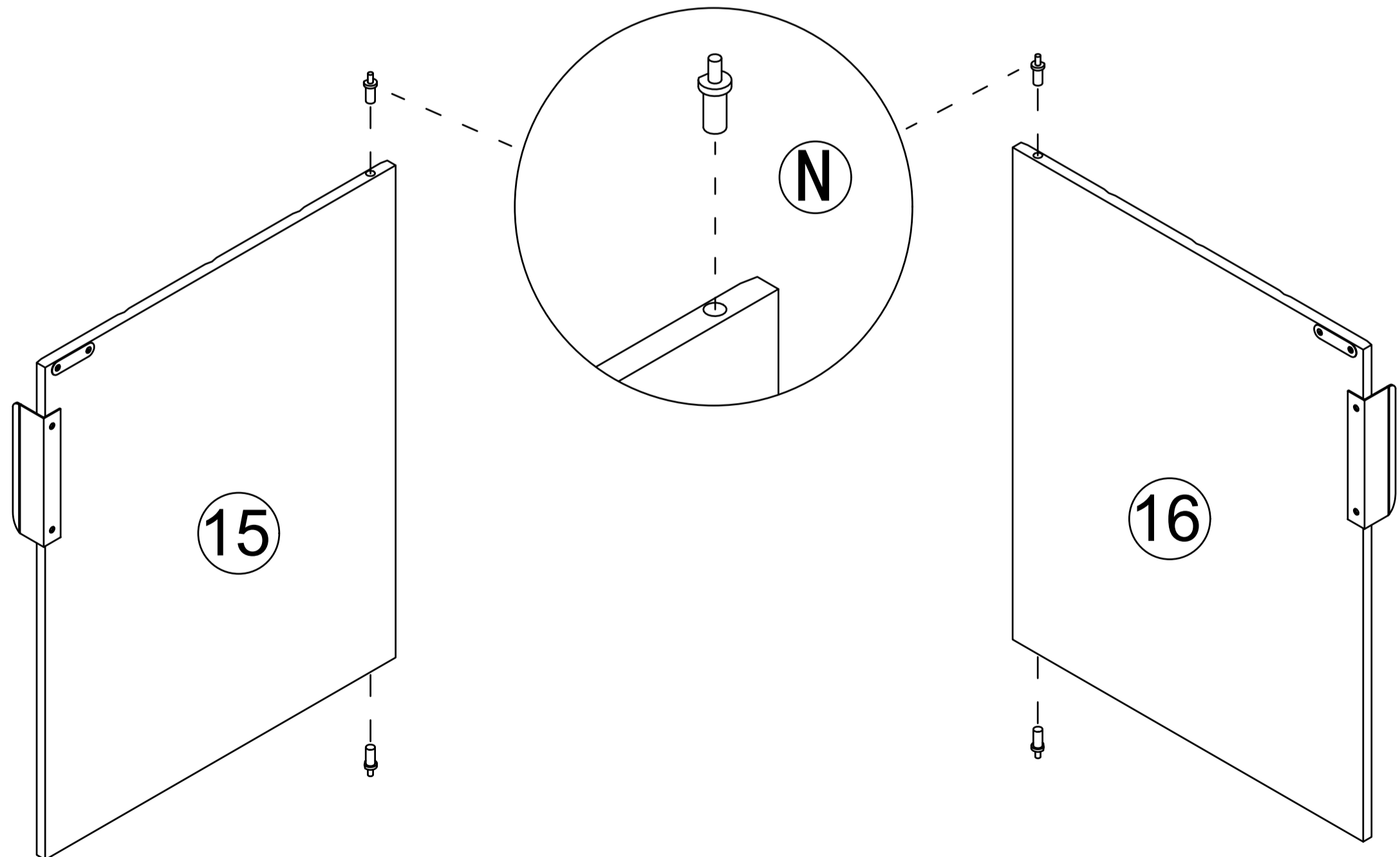
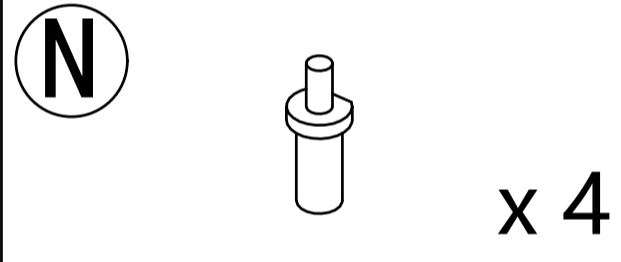


- F  x 2
-  x 4

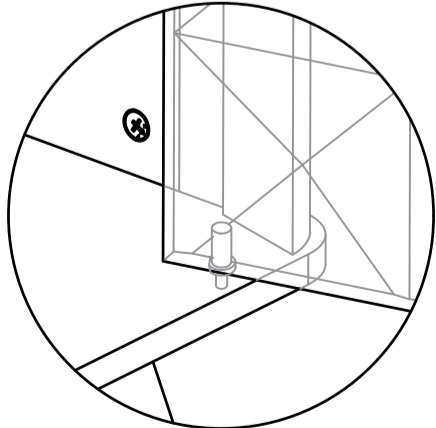
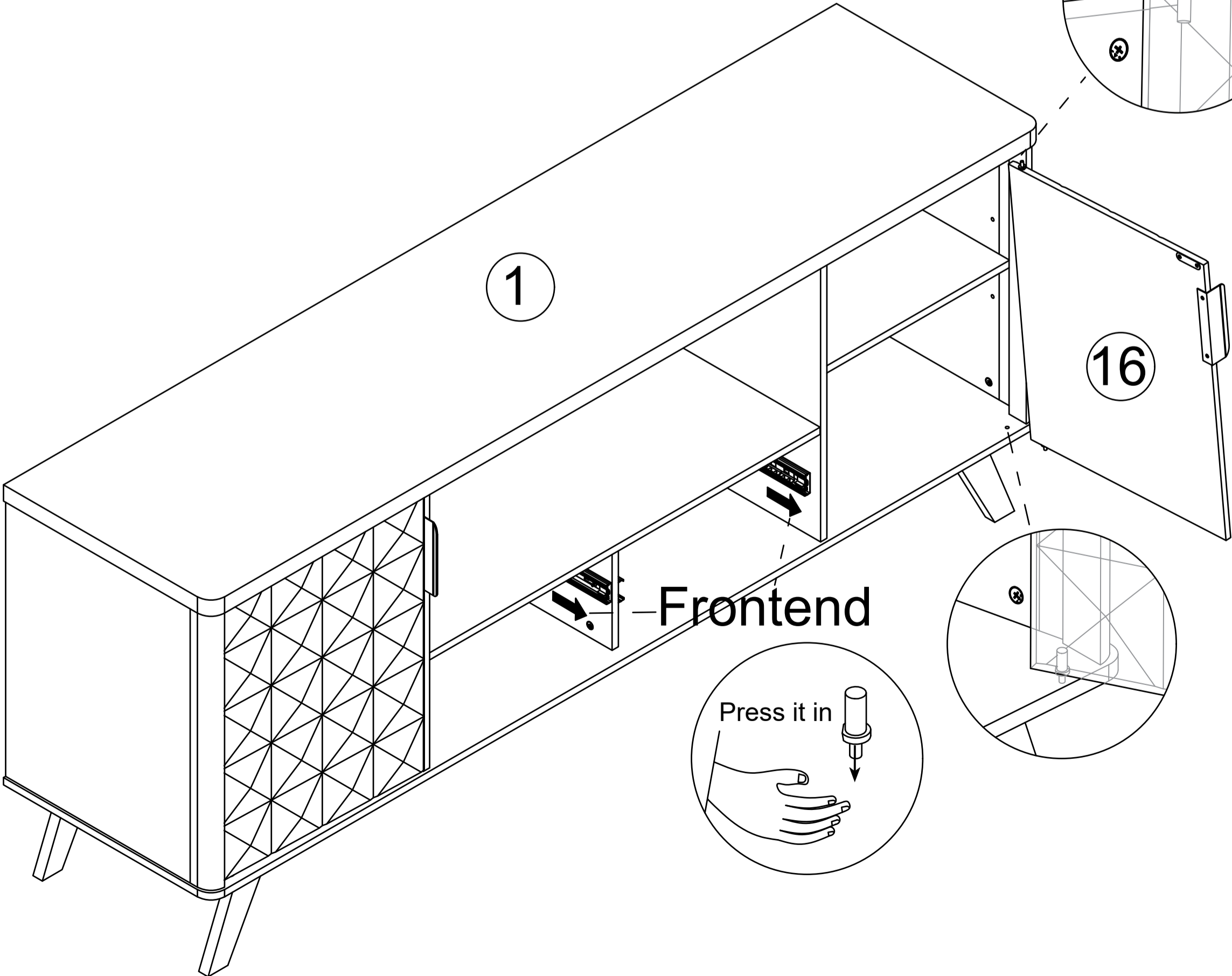
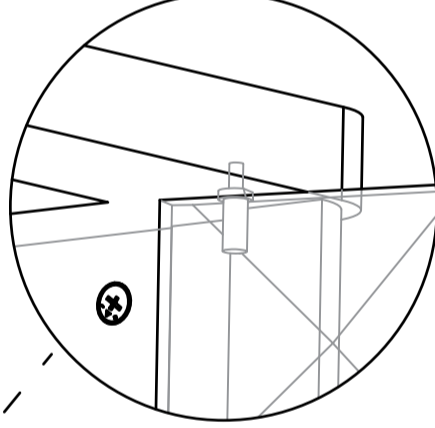
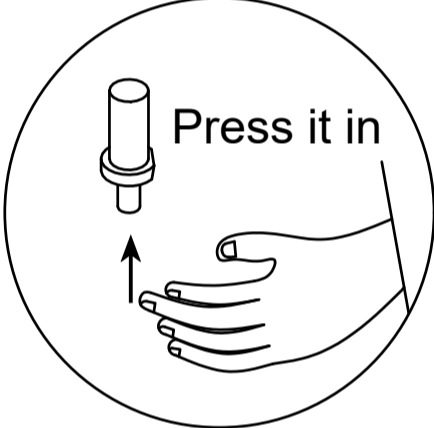
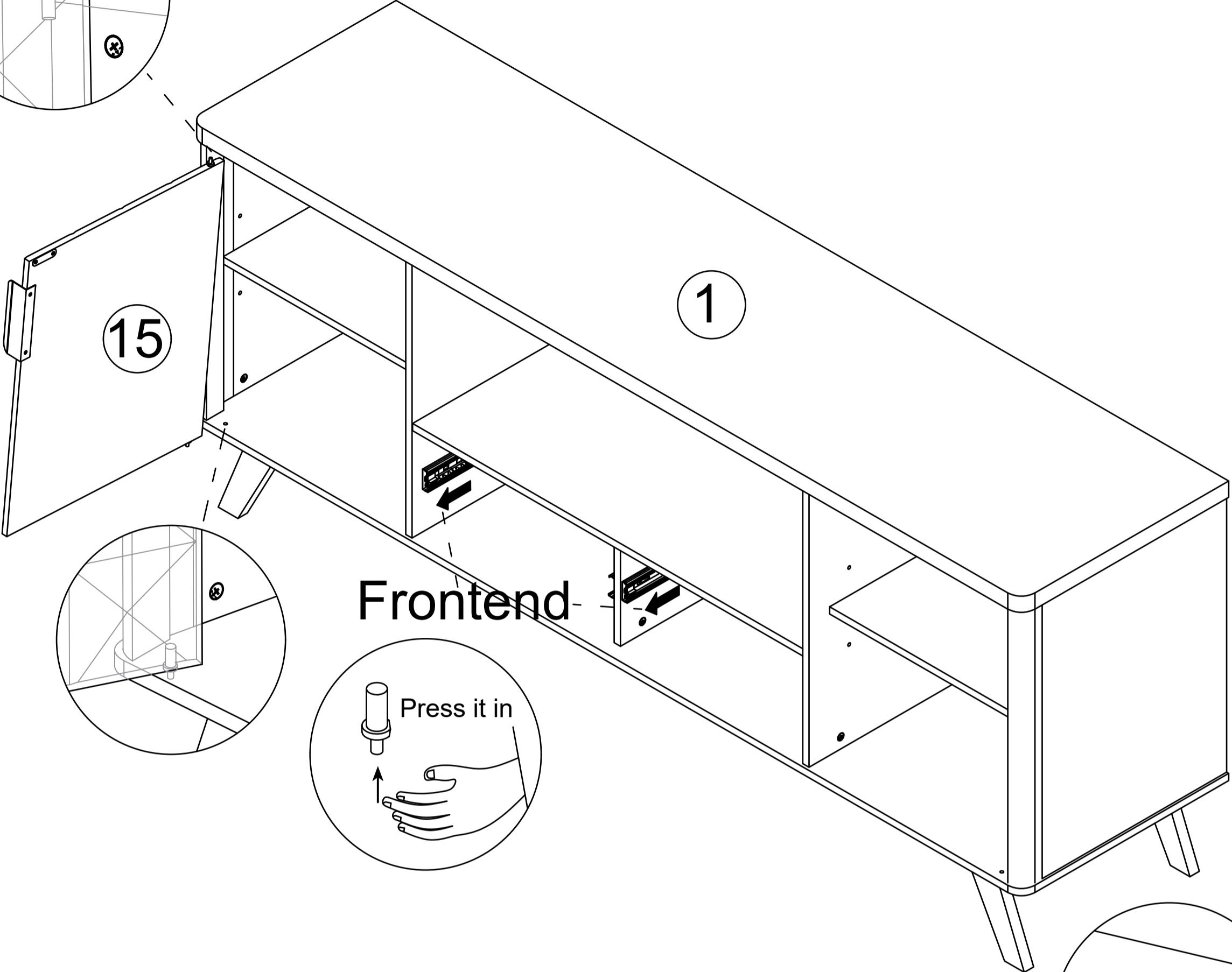
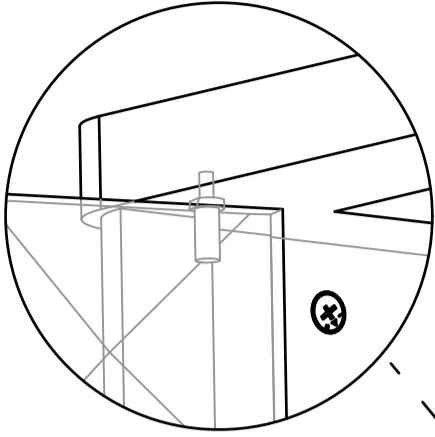
Step 44



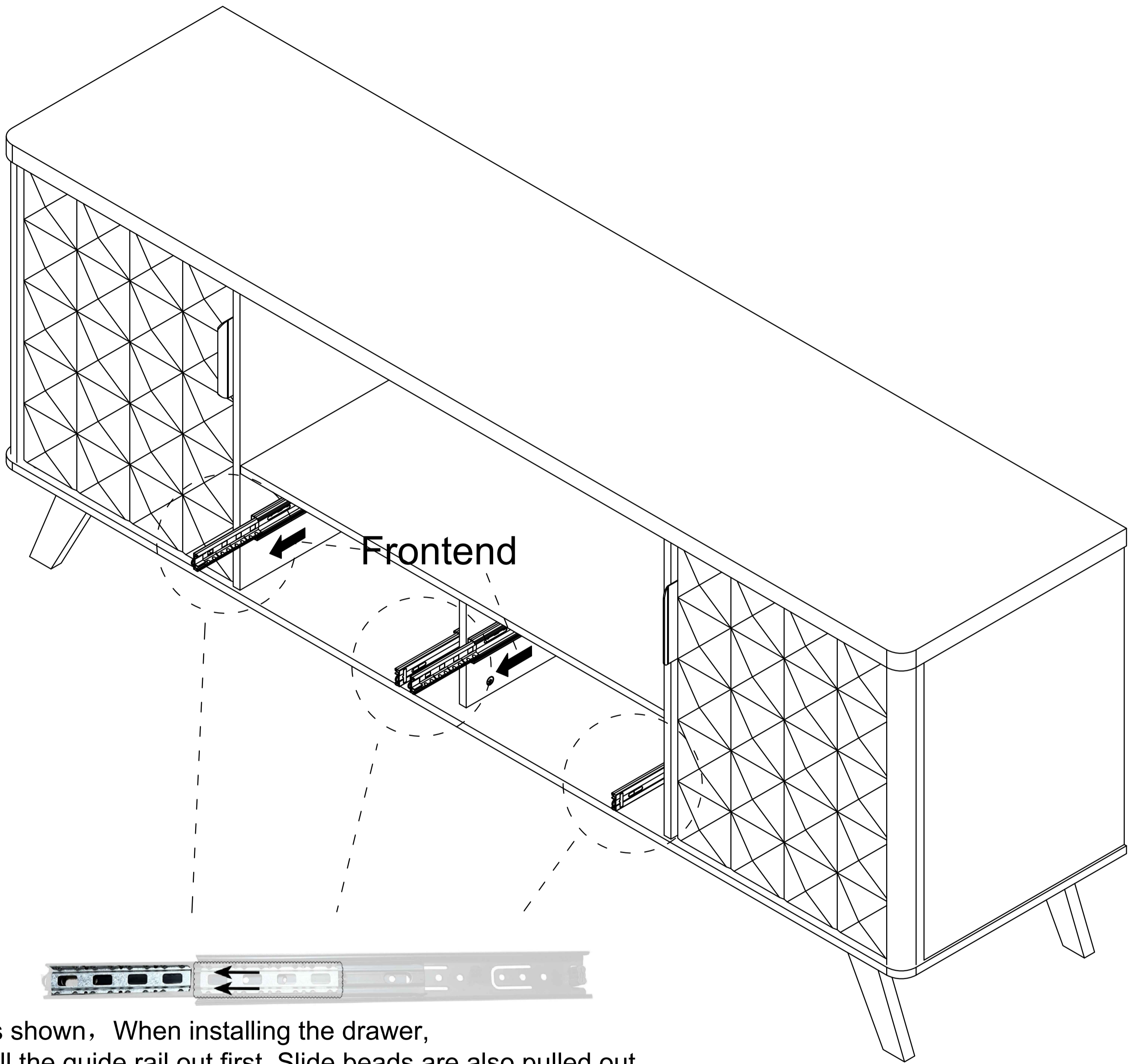
Step 45



# Step 46

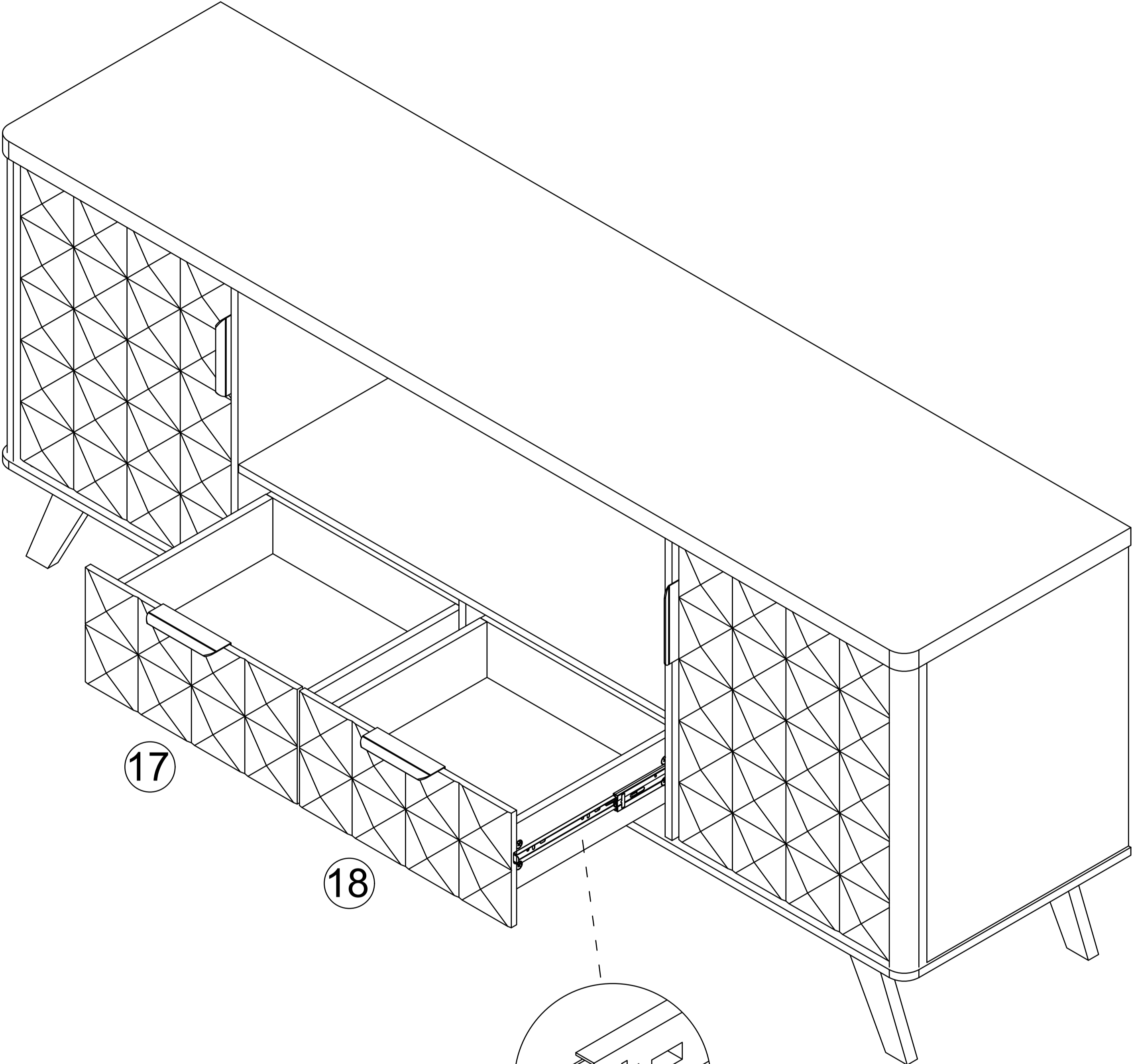


Step 47



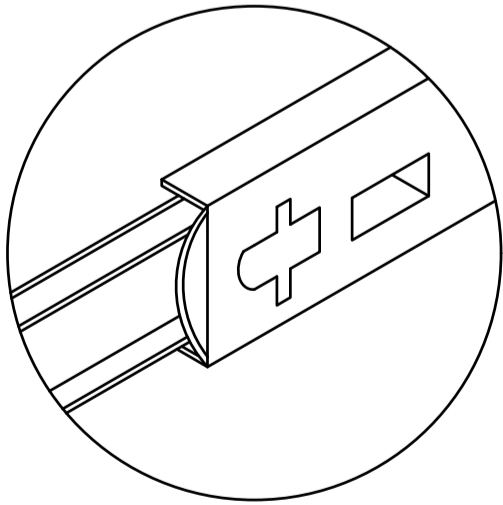
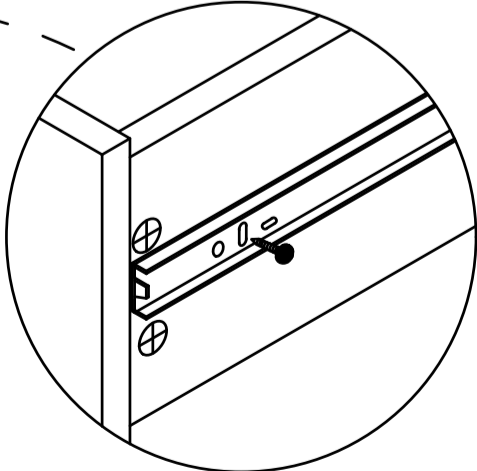
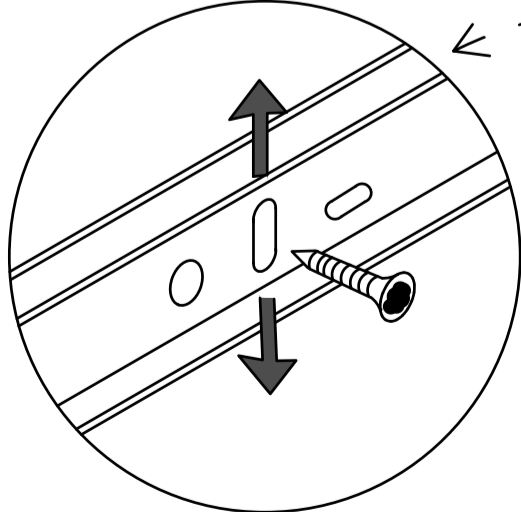
As shown, When installing the drawer, pull the guide rail out first, Slide beads are also pulled out.

# Step 48



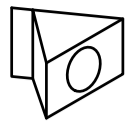
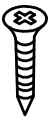
17


18



If a large gap is found after installing the drawer the slide rail can be moved up and down to adjust the gap

# Step 49

**J**   x 16

**R**  x 1

