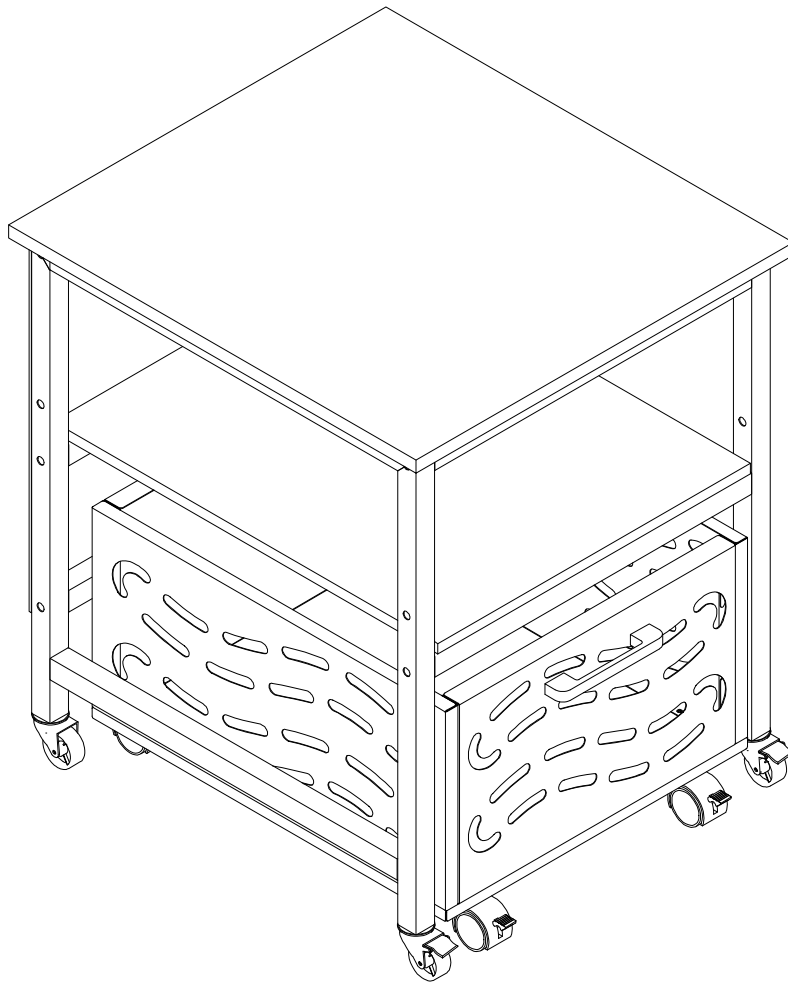


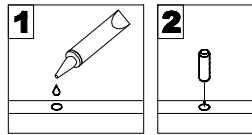
User Manual

Storage Cabinet

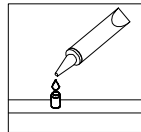


General Assembly Guidelines

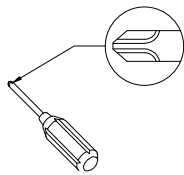
- I .Please ensure that all parts and hardware are available before assembly.
- II . Follow each step carefully to ensure the proper assembly of this product.
- III. For ease of assembly, two people are recommended to assemble this product.
- IV. The three main types of hardware are: wood dowels , screws and bolts.
- V . The glue is to secure wood dowels in place. When first inserting dowels, locate the appropriate hole for the dowel, and place a small amount of glue in the hole then insert the dowel. Please remember wipe away the excess glue immediately.



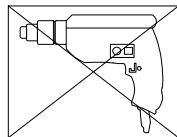
The dowels are necessary to attach assembly parts together in the following steps. Place a small amount of glue on the end of the dowel before attaching parts together. Please remember wipe away the excess glue immediately.



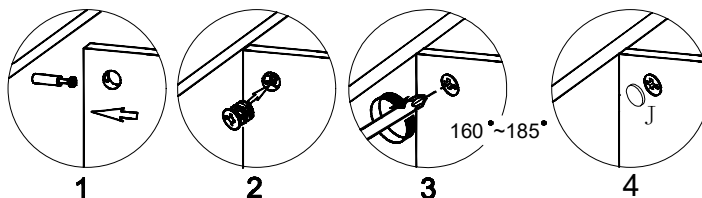
VI. A Phillips head screwdriver is required for the assembly of this product.



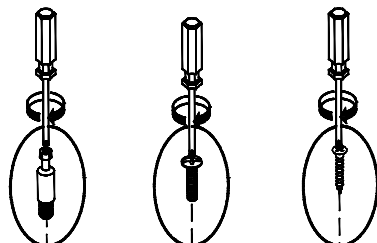
VII. Power tools should not be used when assemble this product.



VIII. Steps for assembly of three-in-one screws.

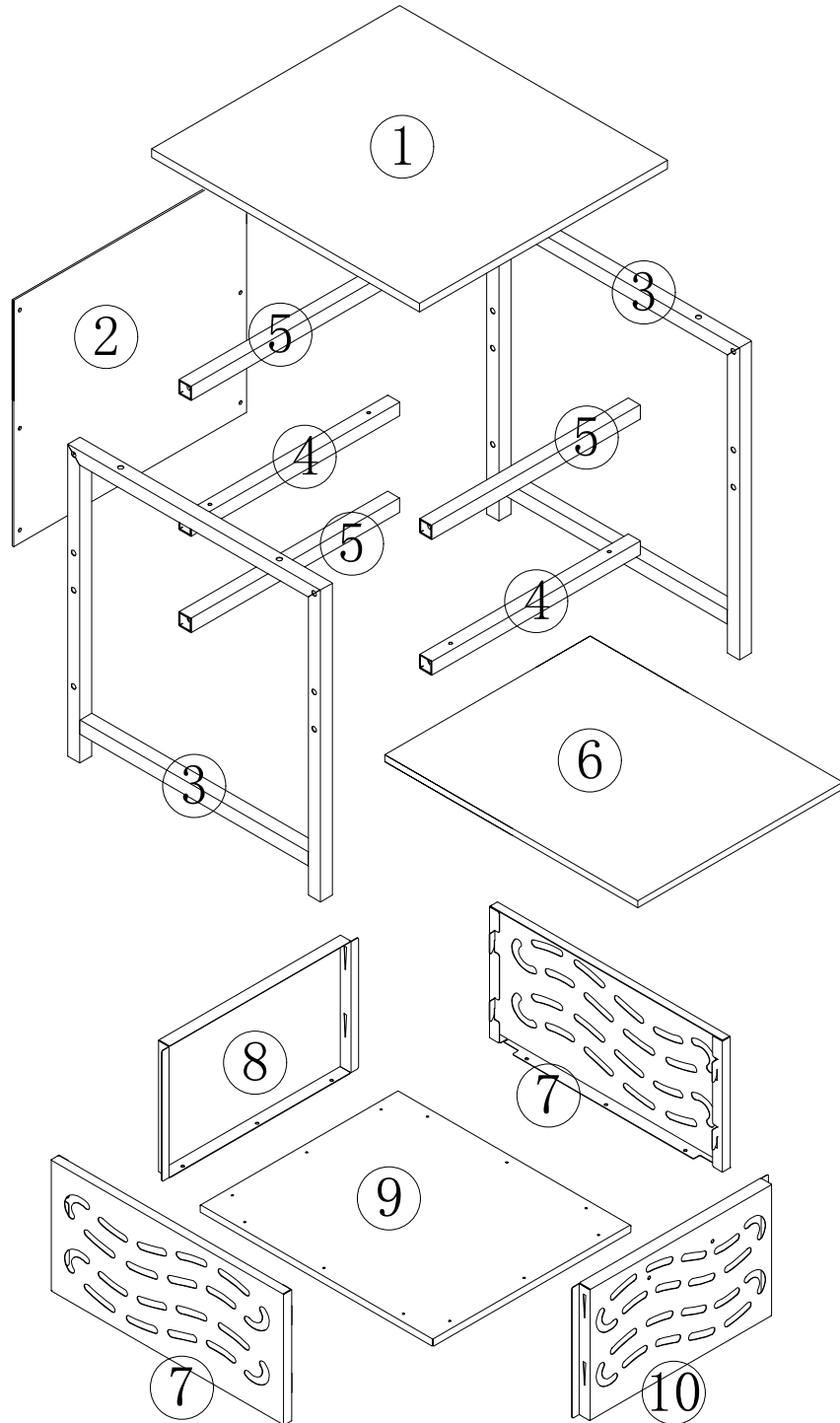


IX. Screw fixation diagram for all fittings.

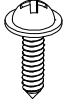


Parts List

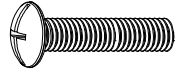
- ① x 1
- ② x 1
- ③ x 2
- ④ x 2
- ⑤ x 3
- ⑥ x 1
- ⑦ x 2
- ⑧ x 1
- ⑨ x 1
- ⑩ x 1



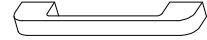
Hardware List



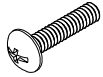
$\phi 3.5 * 16\text{mm}$
B x 6pcs



$\phi 1/4" * 35\text{mm}$
C x 8pcs



D x 1pc



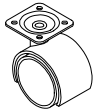
$\phi 5/32" * 6\text{mm}$
E x 2pcs



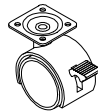
M6*45mm
F x 10+1pcs



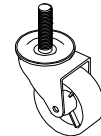
M4*8mm
G x 28+2pcs



H x 2pcs



I x 2pcs



J x 2pcs



K x 2pcs

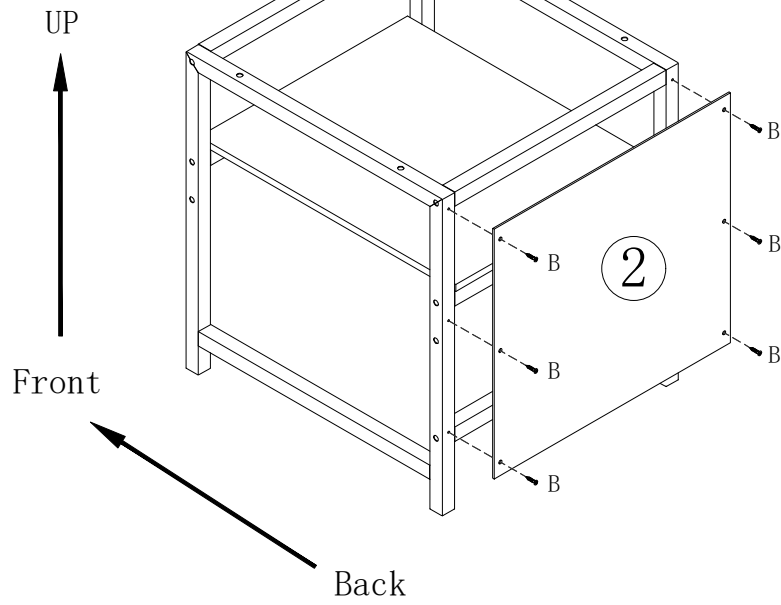


x 1pc

STEP#3



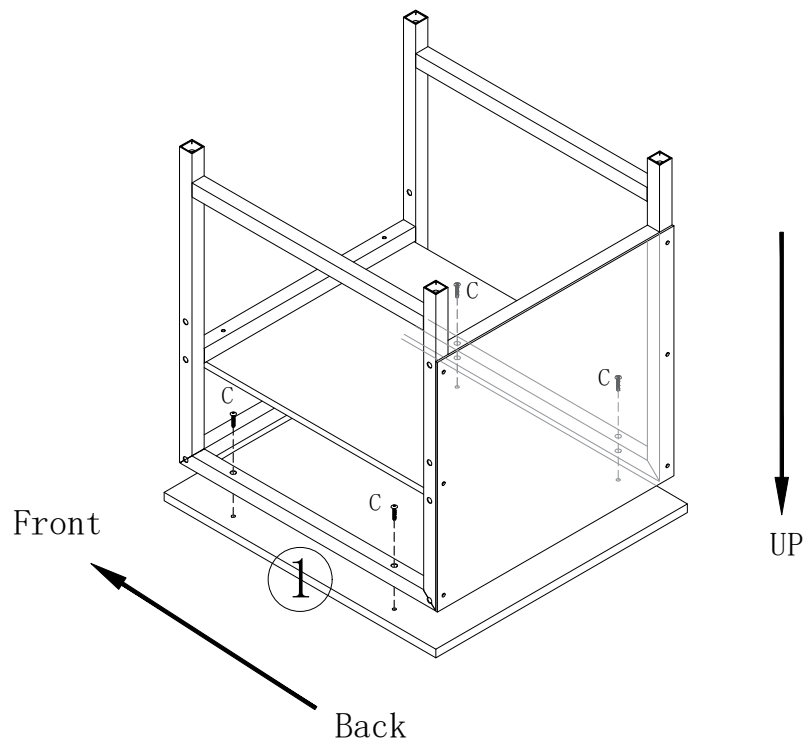
B x 6



STEP#4



C x 4



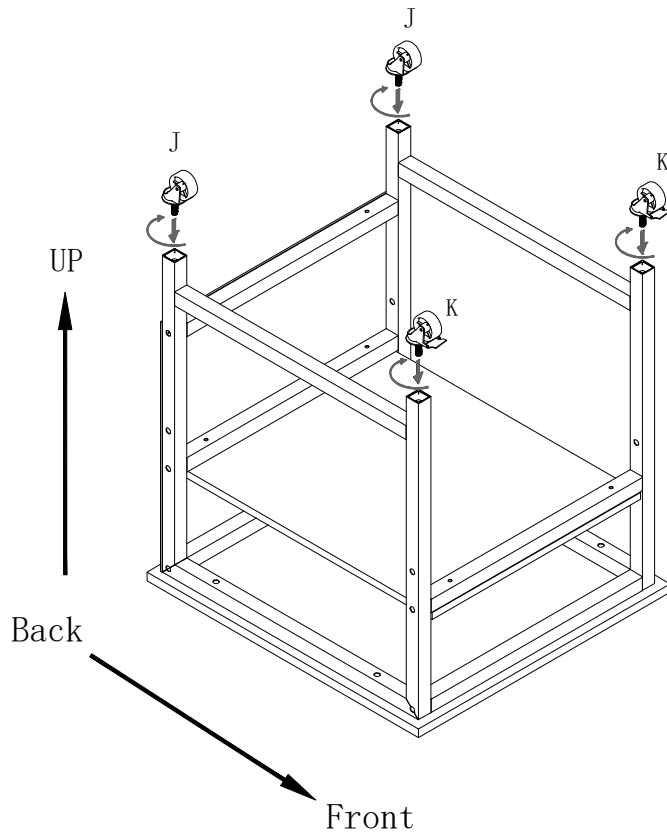
STEP#5



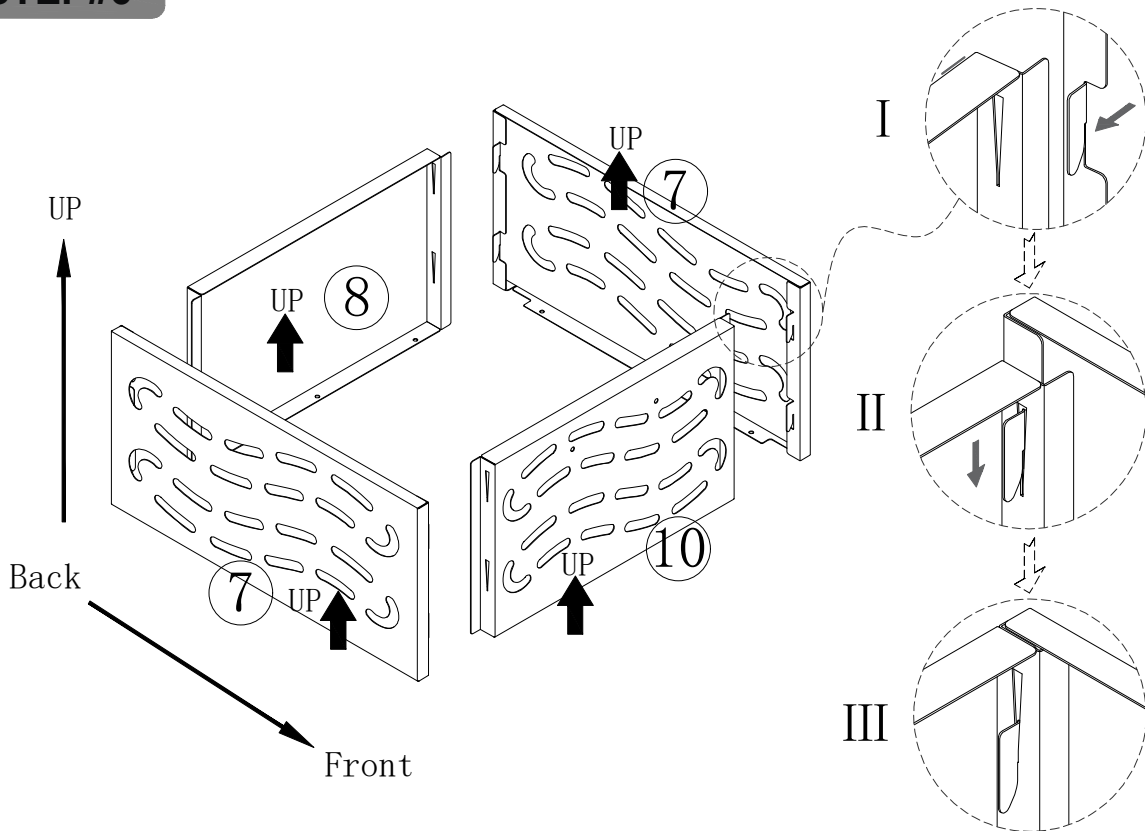
J x 2



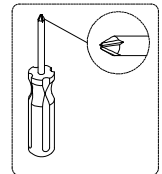
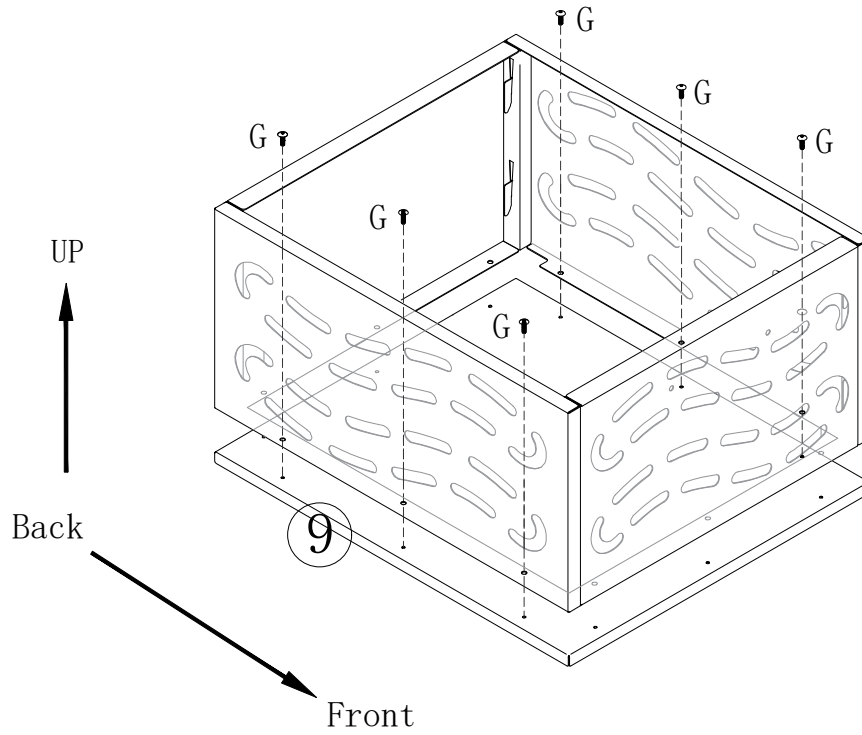
K x 2



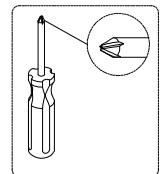
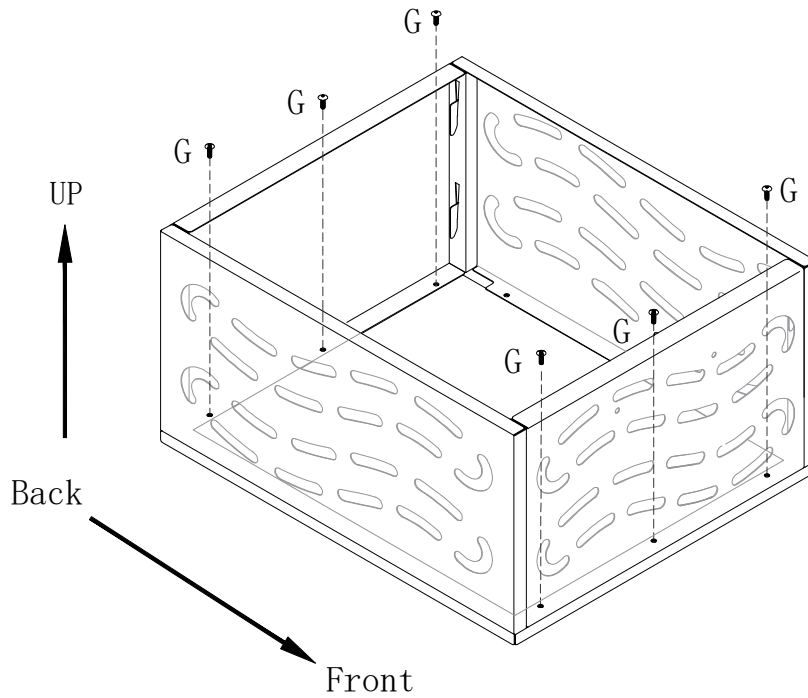
STEP#6



STEP#7



STEP#8



STEP#9



D x 1

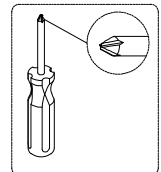
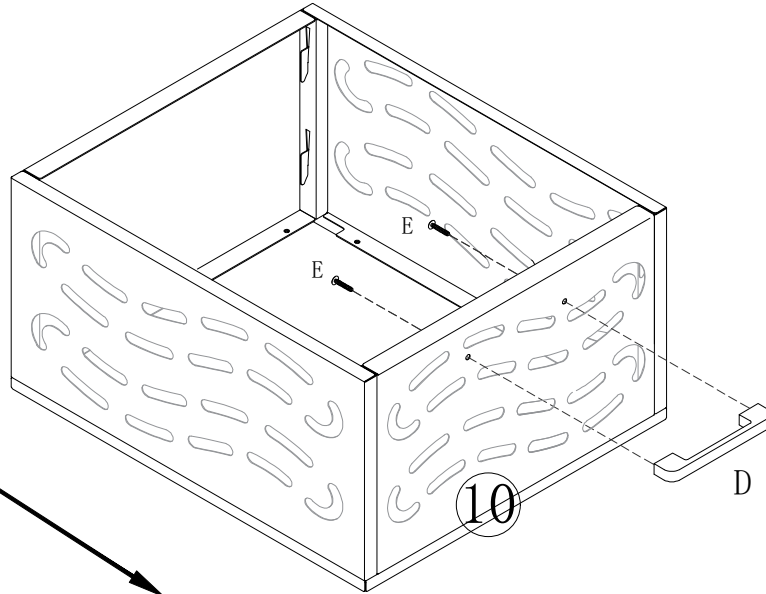


E x 2

UP

Back

Front



STEP#9



G x 16



H x 2

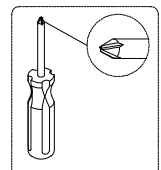
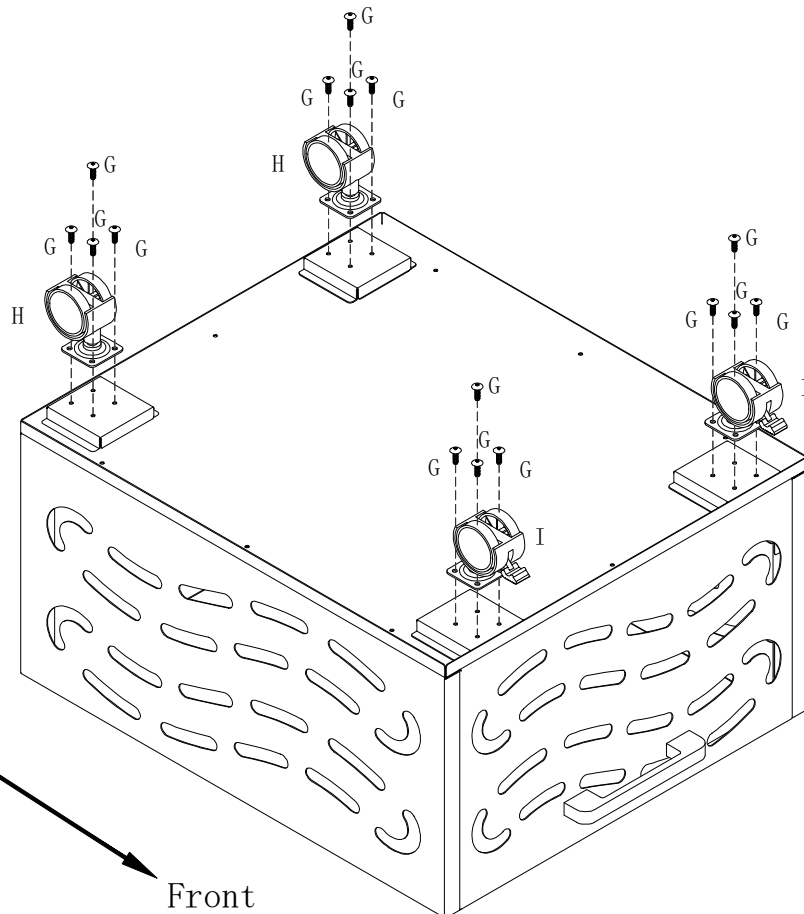


I x 2

UP

Back

Front



WARRANTY CARD

Your warranty includes

- **30 Days Money Back Guaranty**

Within the first 30 days of your purchase, you are allowed to return your product for a full refund.

- **30 Days to 3 Months(6 Months)**

We will replace the defective unit due to manufacturer fault with a new one. (You will receive extra 3 Months warranty if you register on our website.)

- **3 Months to 24 Months**

Within 24 Months, we will provide timely and effective online after-sales service after your purchase.

How to return your Products

- Contact us with your order number.
- We will issue you RMA # and return address for your return.
- Please fill out RMA info, tear off this page and leave it inside your return package.
- We will issue replace / return after receiving your return.

Return product details

To get your returns processed as quickly as possible, please fill this form and include it in your return package.

Purchase Name	
Order Number	
Date of Purchase	
Your Email Address	
Where did you buy it	

* If your product is purchased from channel, please contact us for your return within 30 days of purchase.

MADE IN CHINA

