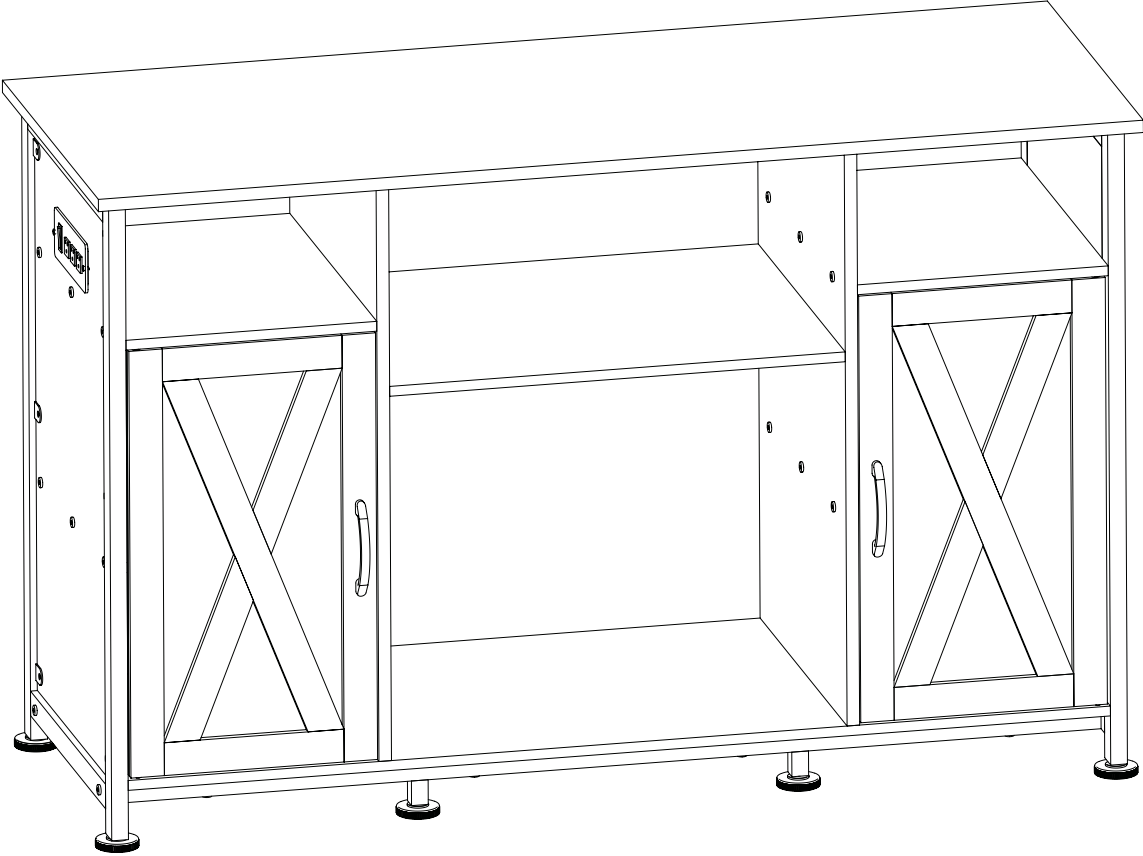
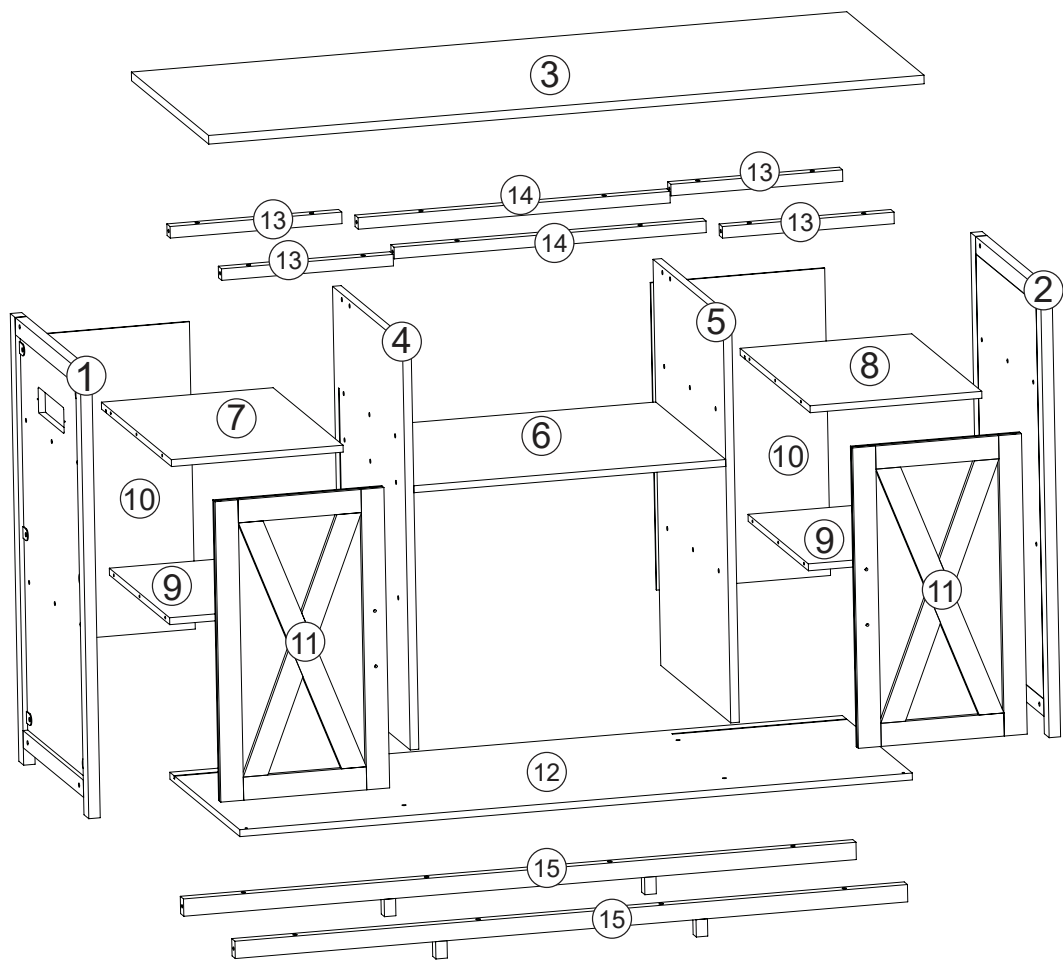


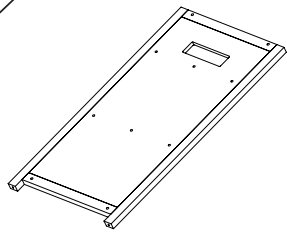
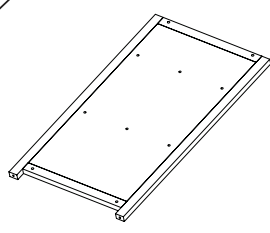
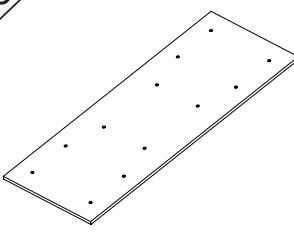
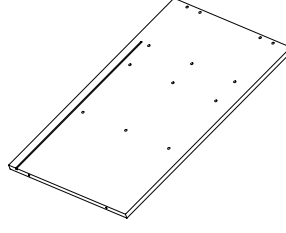
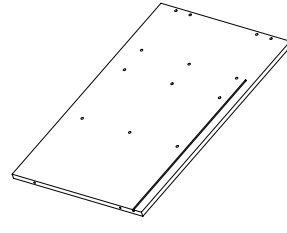
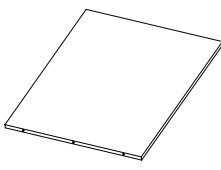
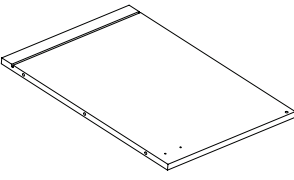
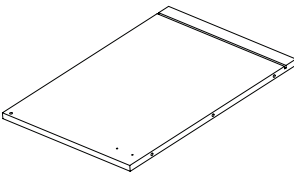
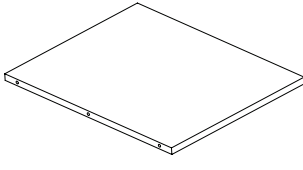
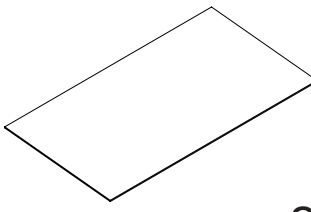
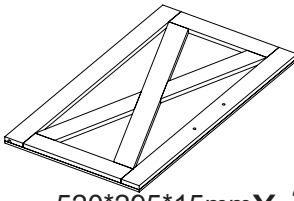
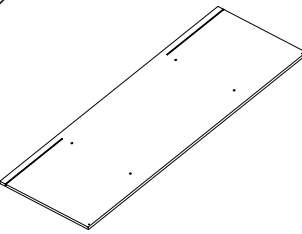
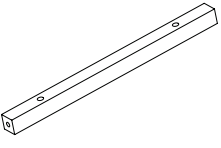
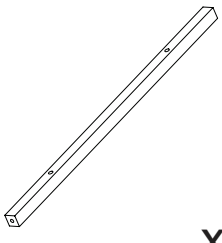
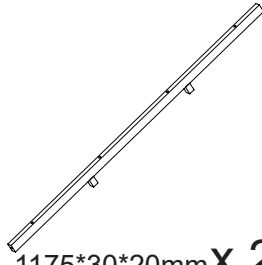
INSTRUCTION MANUAL





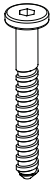

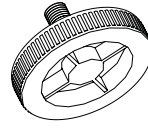

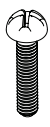
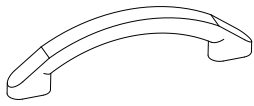
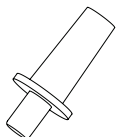
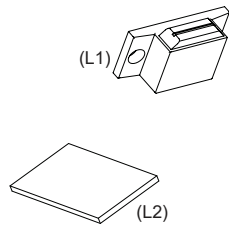

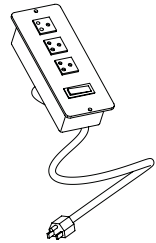
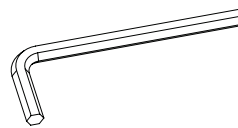
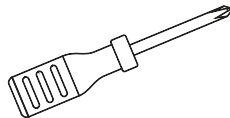
Supplied Parts and Hardware

Attention: Do not tighten the screws until all of them are in right positions

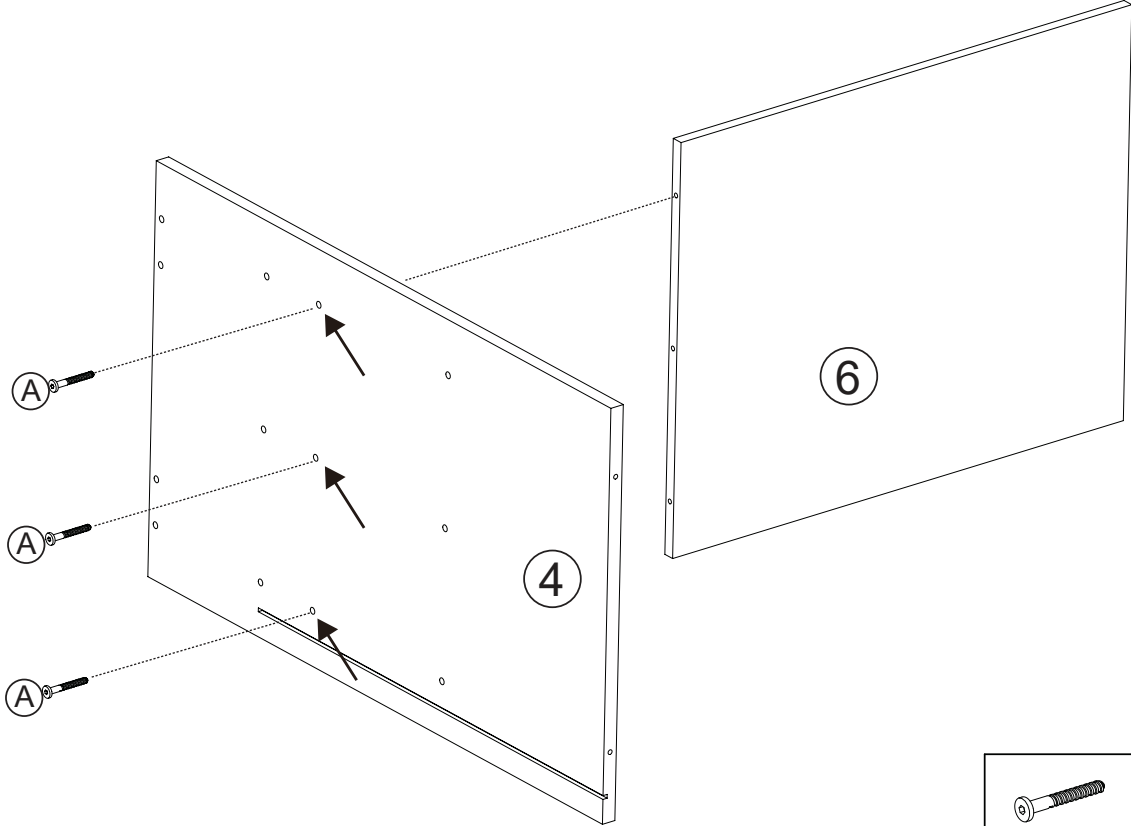
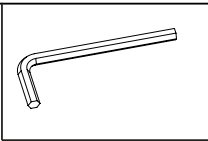
| | | | |
|--|--|--|---|
| <p>1</p>  <p>775*435*20mm X 1</p> | <p>2</p>  <p>775*435*20mm X 1</p> | <p>3</p>  <p>1250*480*15mm X 1</p> | <p>4</p>  <p>703*435*15mm X 1</p> |
| <p>5</p>  <p>703*435*15mm X 1</p> | <p>6</p>  <p>545*435*12mm X 1</p> | <p>7</p>  <p>435*300*12mm X 1</p> | <p>8</p>  <p>435*300*12mm X 1</p> |
| <p>9</p>  <p>375*300*12mm X 2</p> | <p>10</p>  <p>532*304*3mm X 2</p> | <p>11</p>  <p>520*295*15mm X 2</p> | <p>12</p>  <p>1175*435*12mm X 1</p> |
| <p>13</p>  <p>300*20*20mm X 4</p> | <p>14</p>  <p>545*20*20mm X 2</p> | <p>15</p>  <p>1175*30*20mm X 2</p> | |

Supplied Parts and Hardware

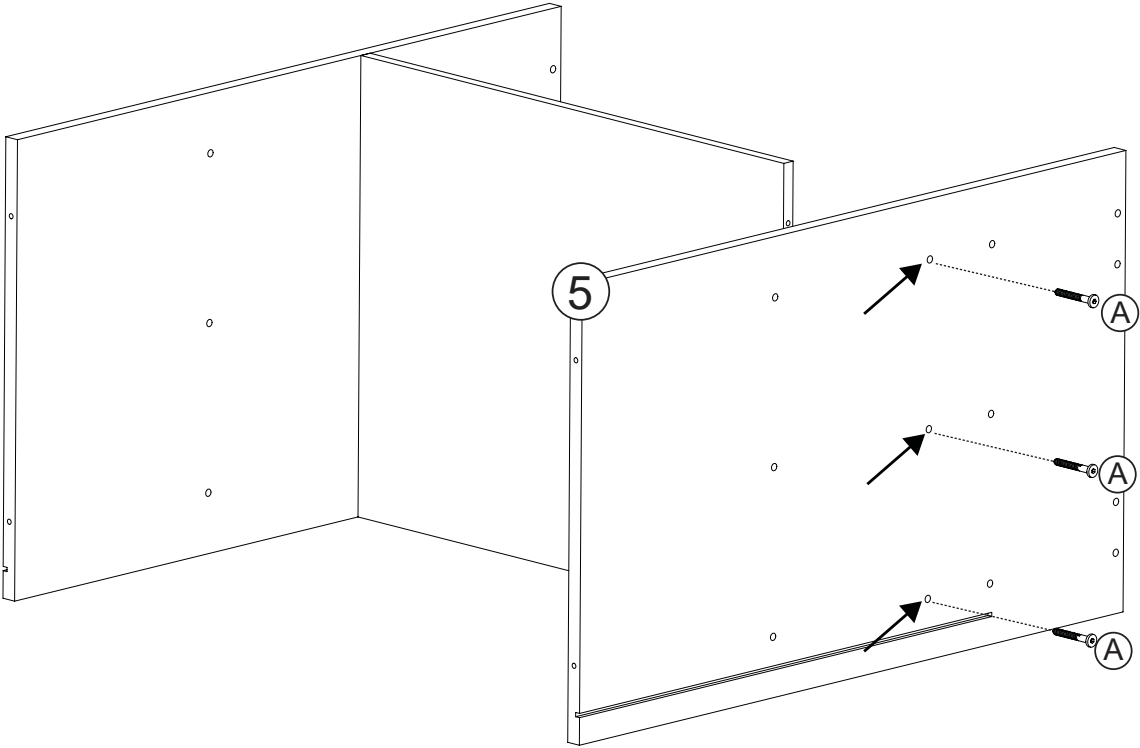
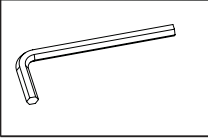
Attention: Do not tighten the screws until all of them are in right positions

| | | | |
|---|---|--|---|
| <p>A</p>  <p>M6*40</p> <p>x 34</p> | <p>B</p>  <p>M6*38</p> <p>x 24</p> | <p>C</p>  <p>x8</p> | <p>D</p>  <p>M6*28</p> <p>x12</p> |
| <p>E</p>  <p>M4*18</p> <p>x 4</p> | <p>F</p>  <p>x 2</p> | <p>G</p>  <p>x 4</p> | <p>L</p>  <p>(L1)</p> <p>(L2)</p> <p>x 2</p> |
| <p>M</p>  <p>M4*12</p> <p>x 6</p> | <p>N</p>  <p>x 1</p> |  <p>x 1</p> |  <p>x 1</p> |

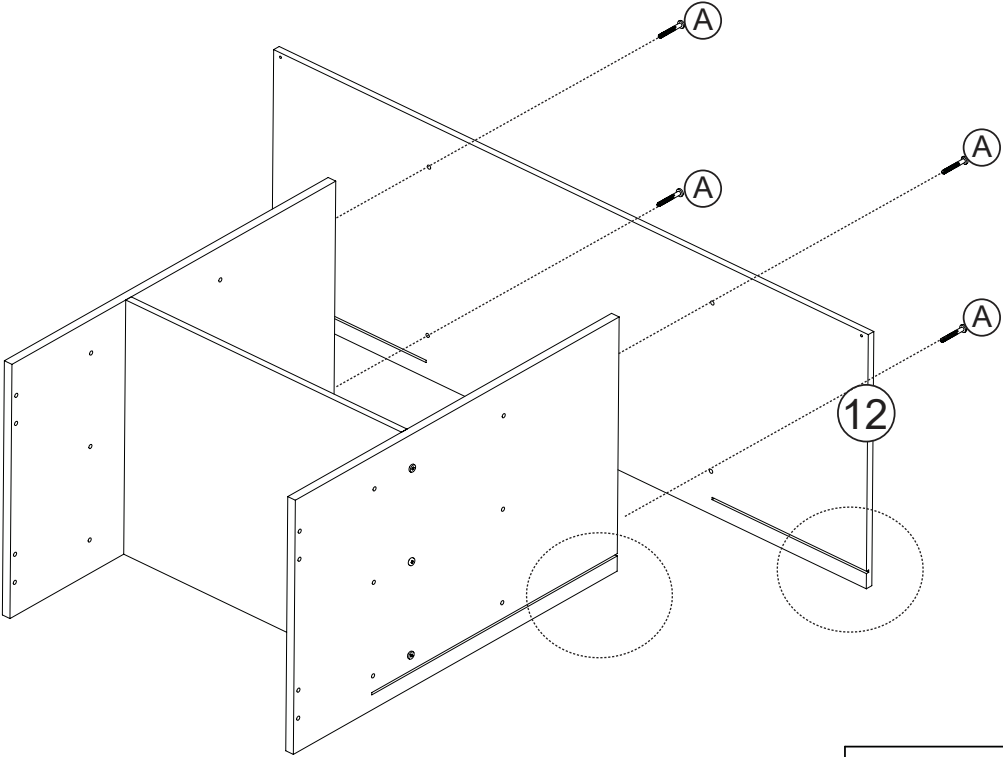
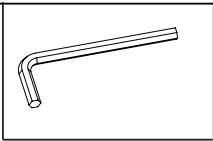
Step 1



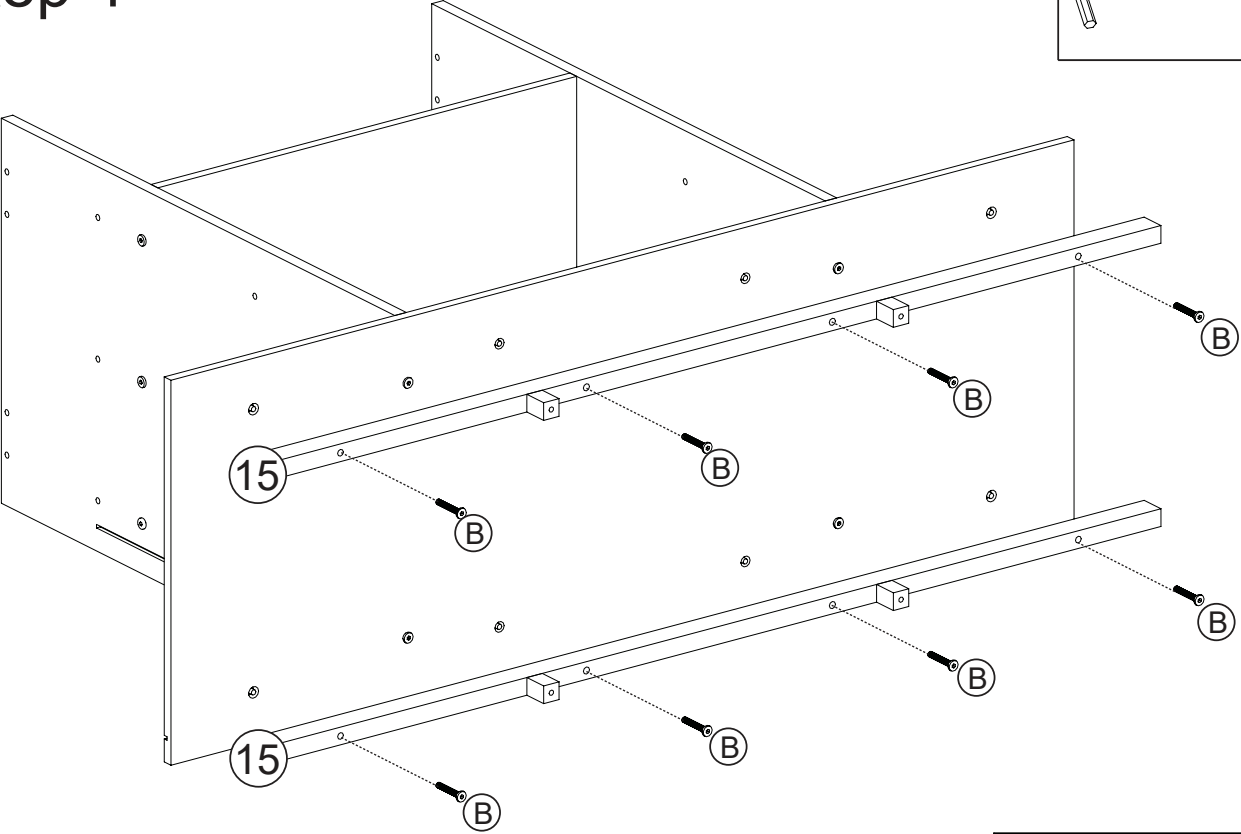
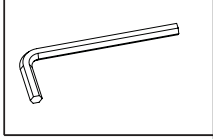
Step 2



Step 3

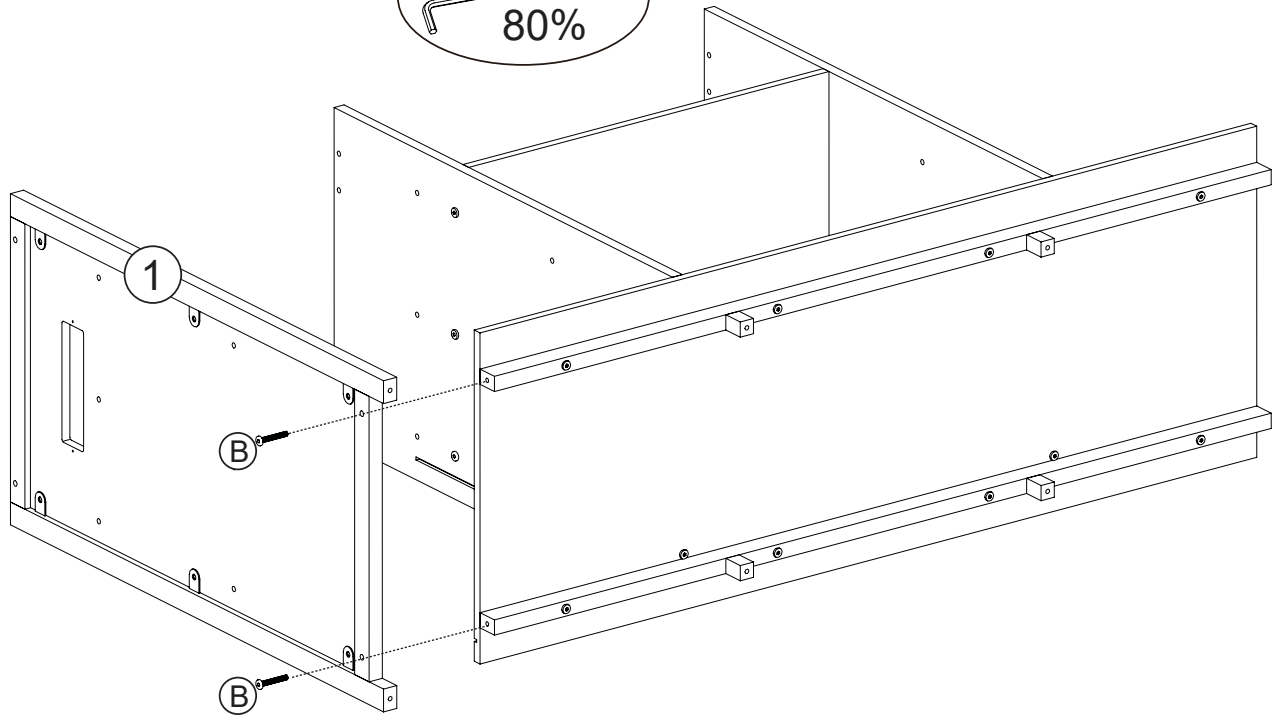
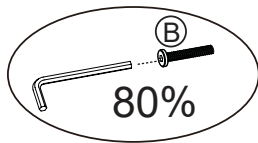
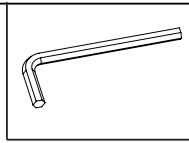


Step 4



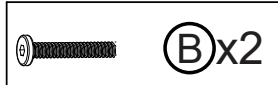
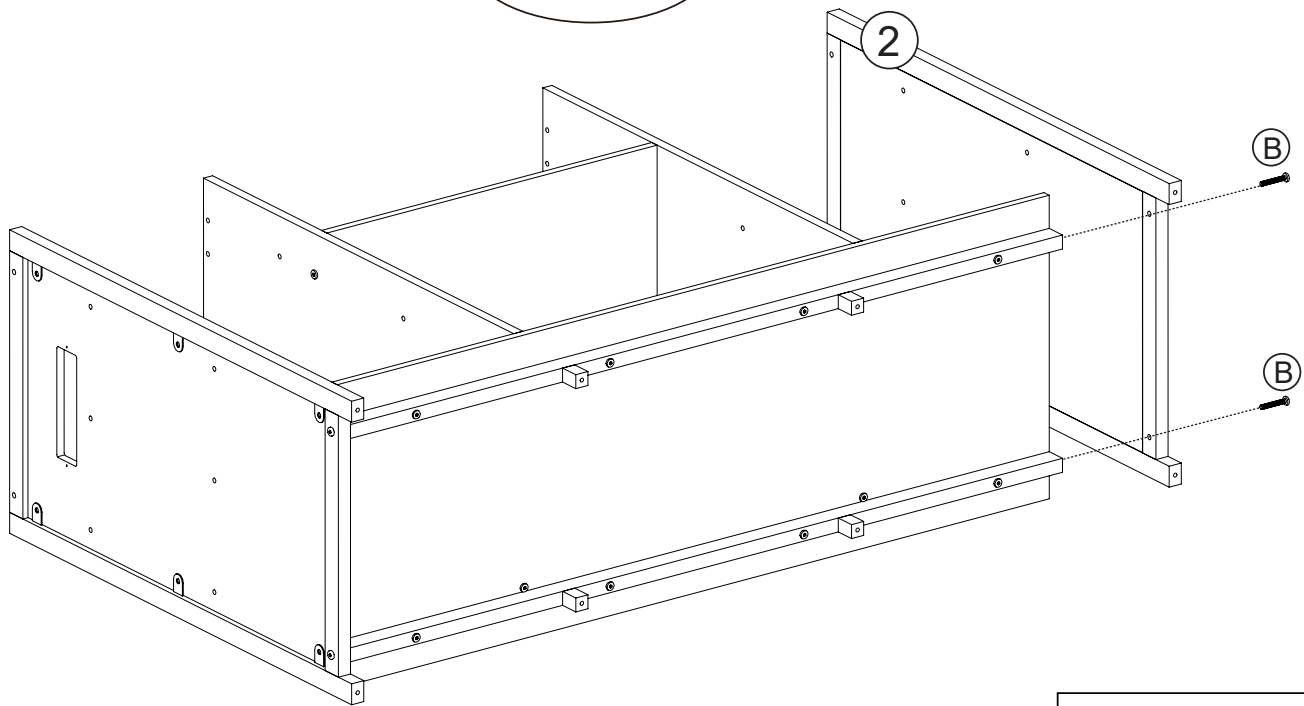
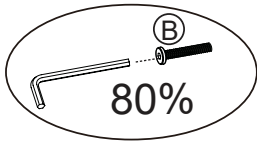
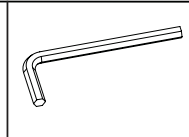
Step 5

Please tighten the screws by 80%

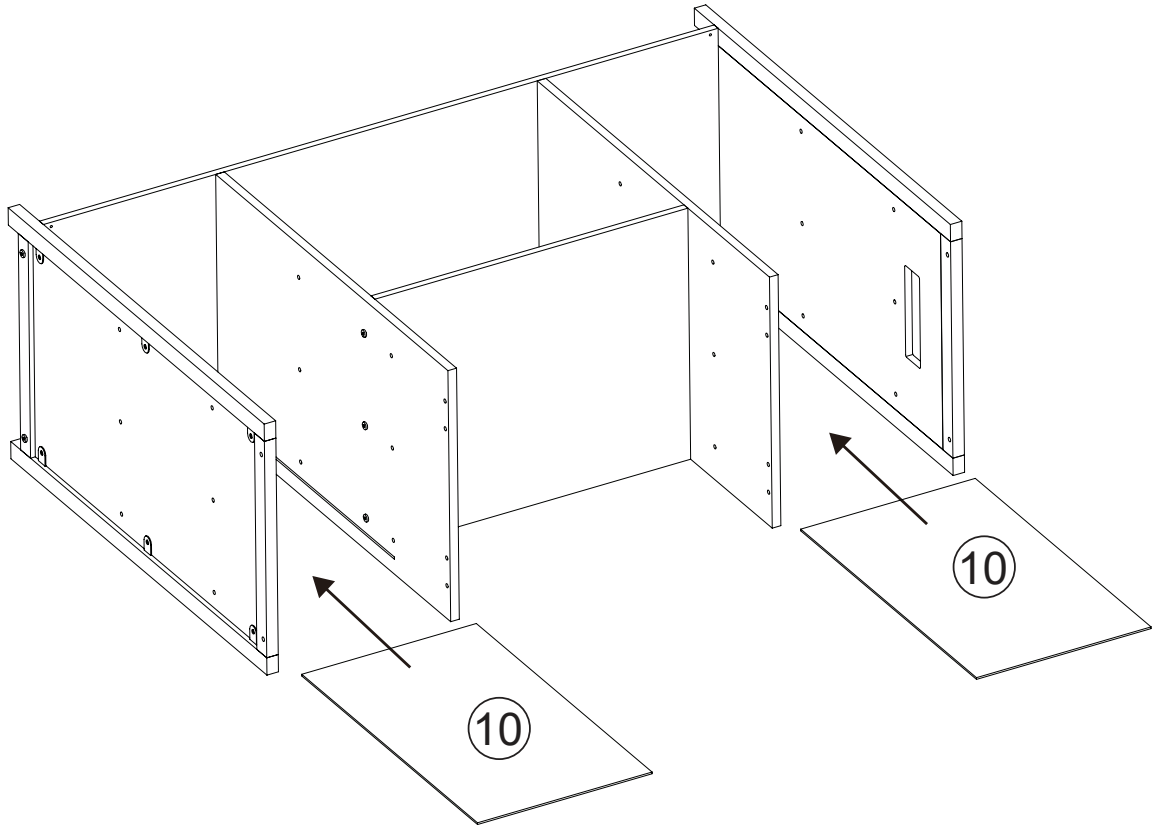


Step 6

Please tighten the screws by 80%

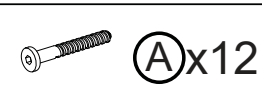
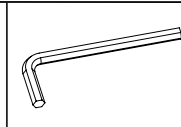
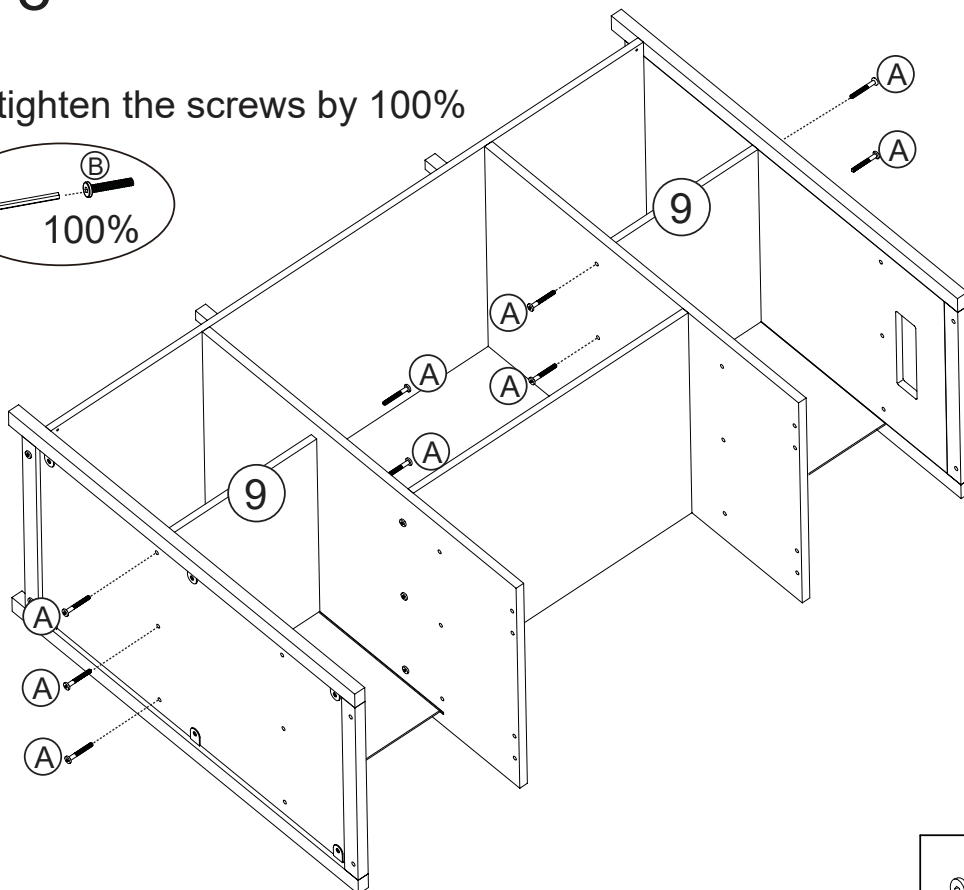
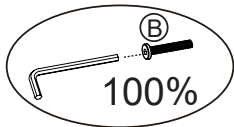


Step 7

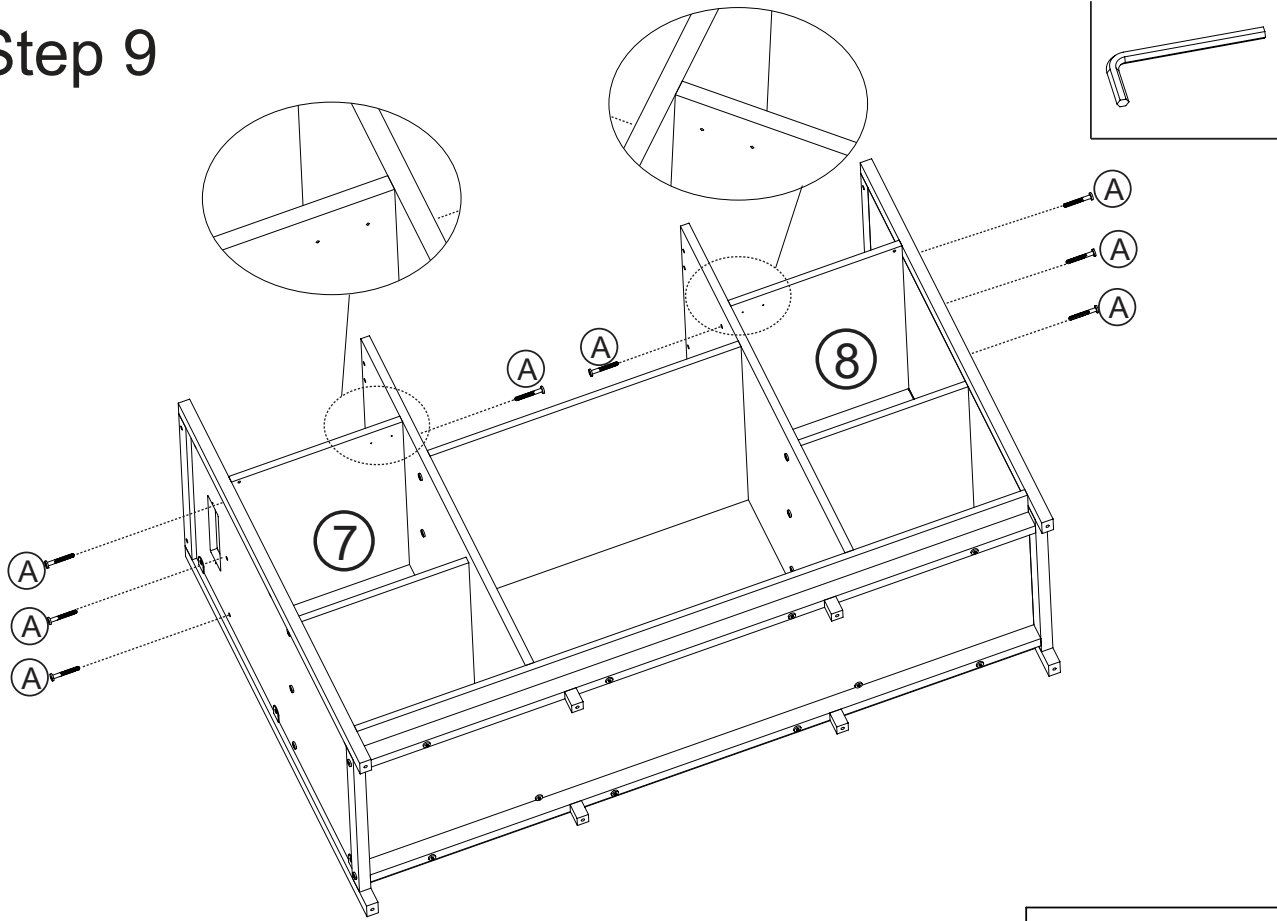


Step 8

Please tighten the screws by 100%

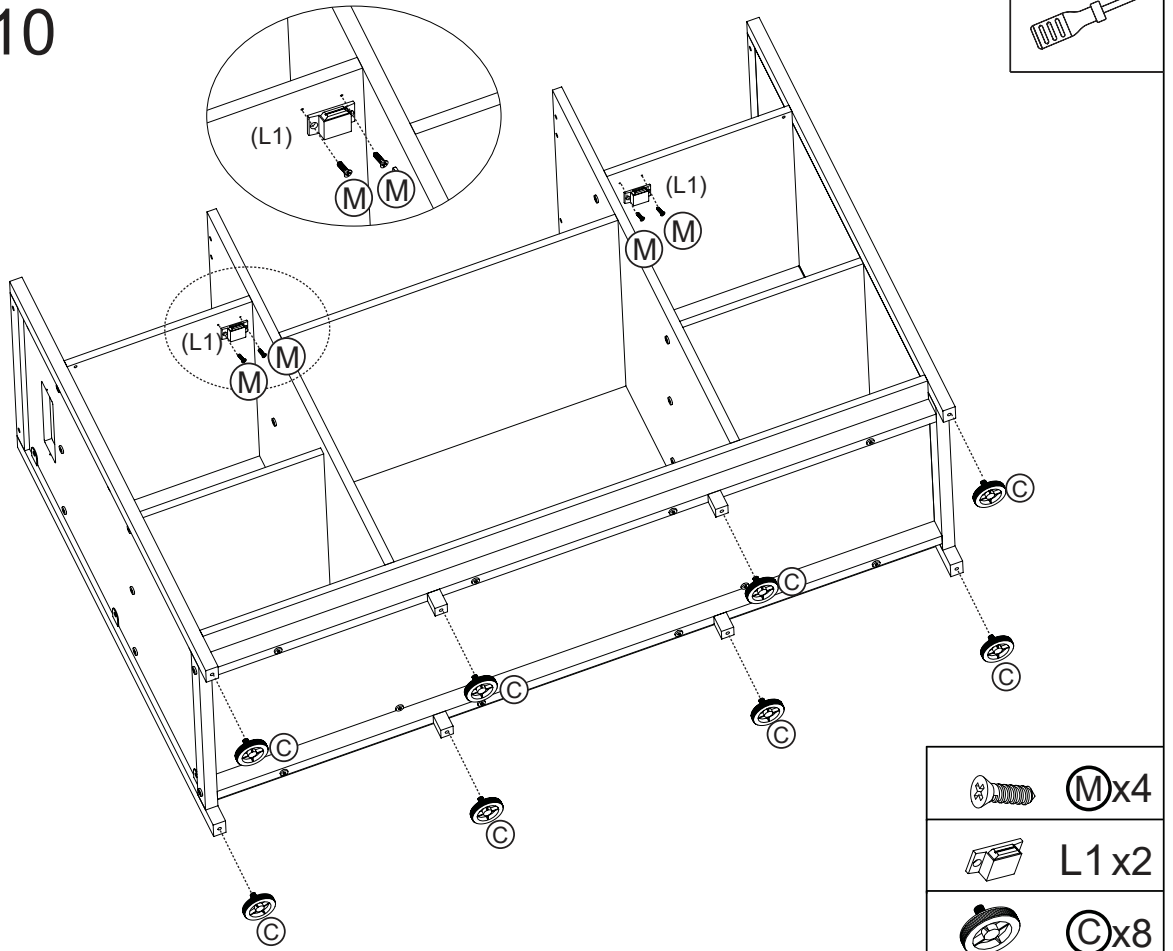



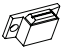

Step 9



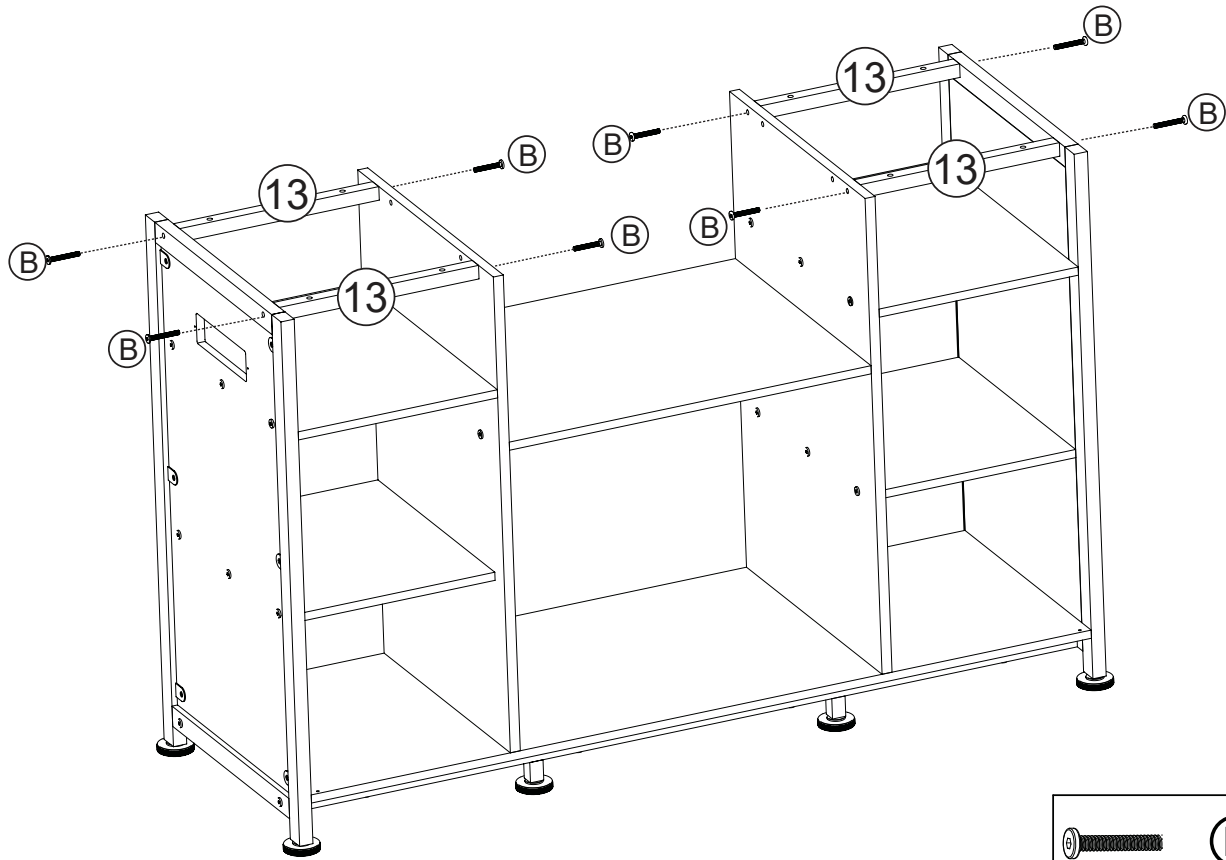
 **A**x12

Step 10

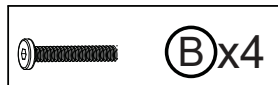
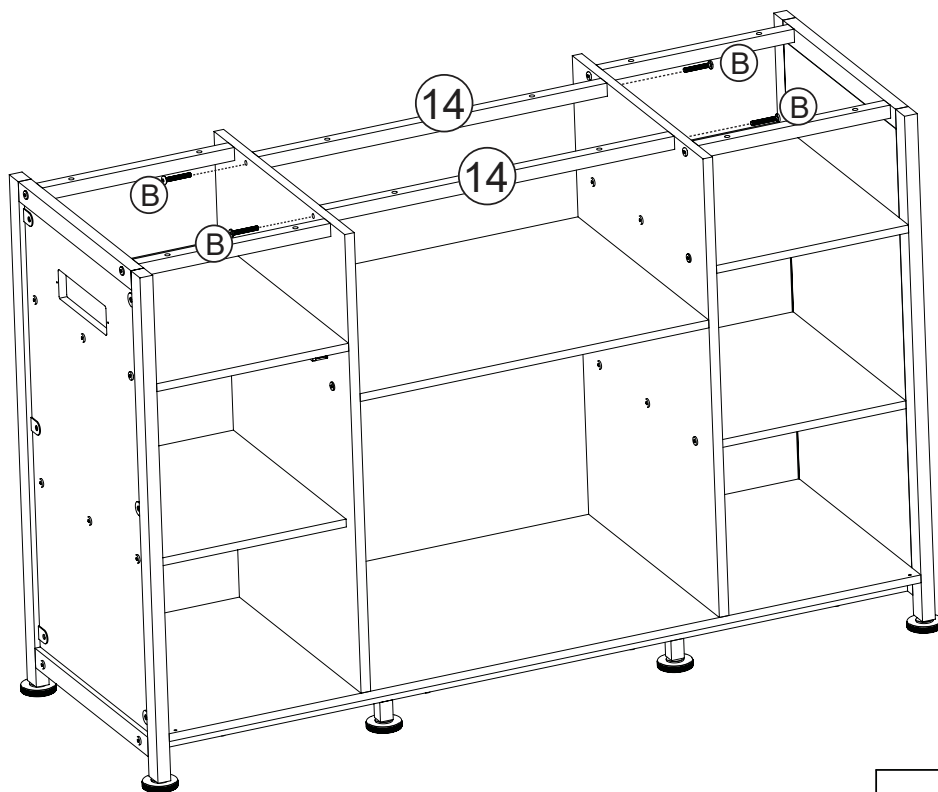
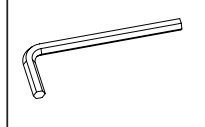


| | |
|---|--------------|
|  | M x4 |
|  | L1 x2 |
|  | C x8 |

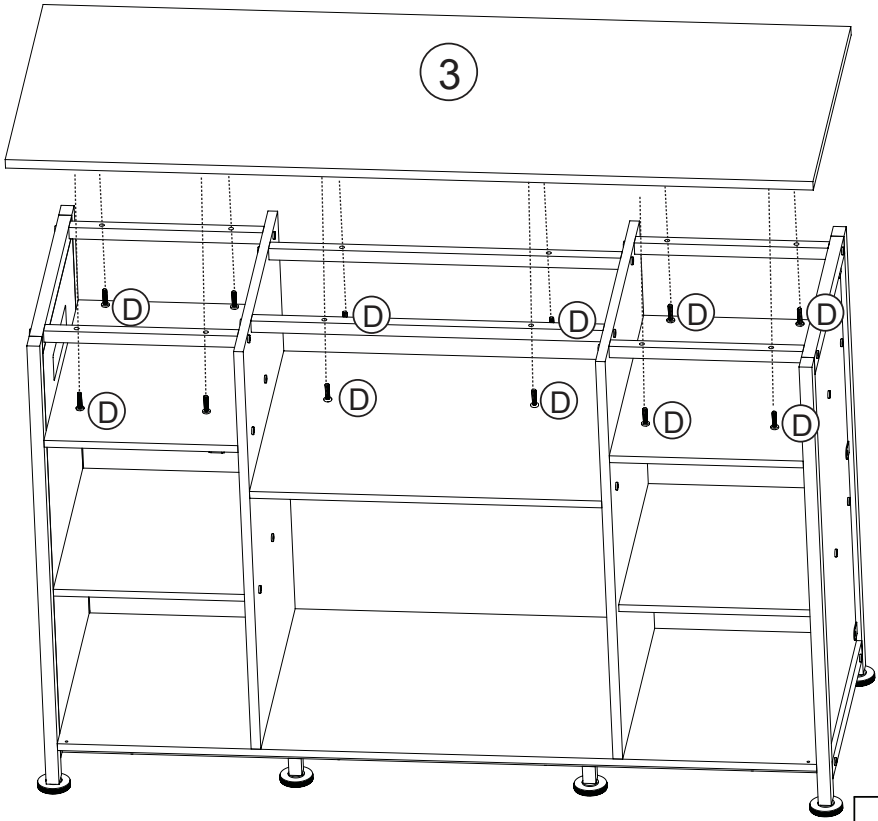
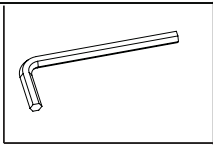
Step 11



Step 12

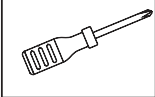


Step 13

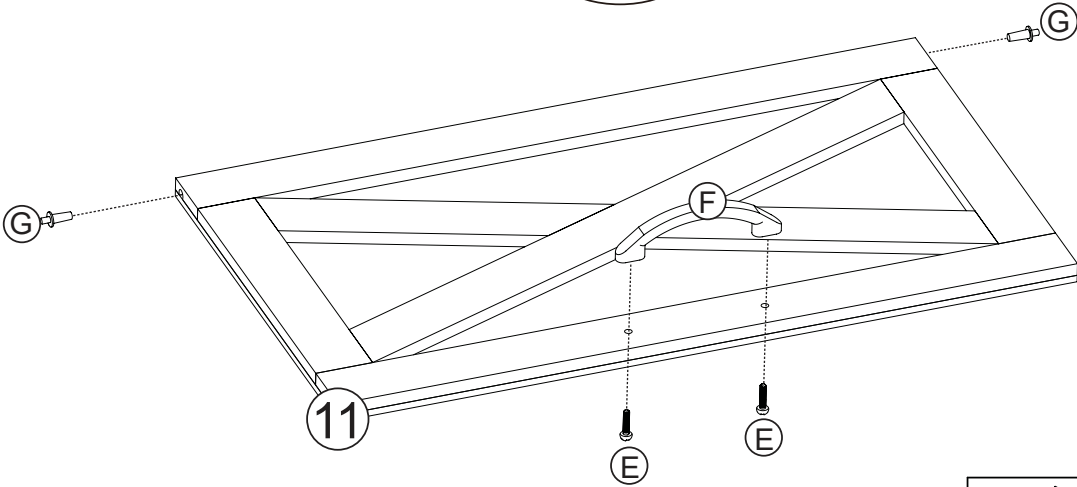




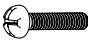
 **D**x12

Step 14

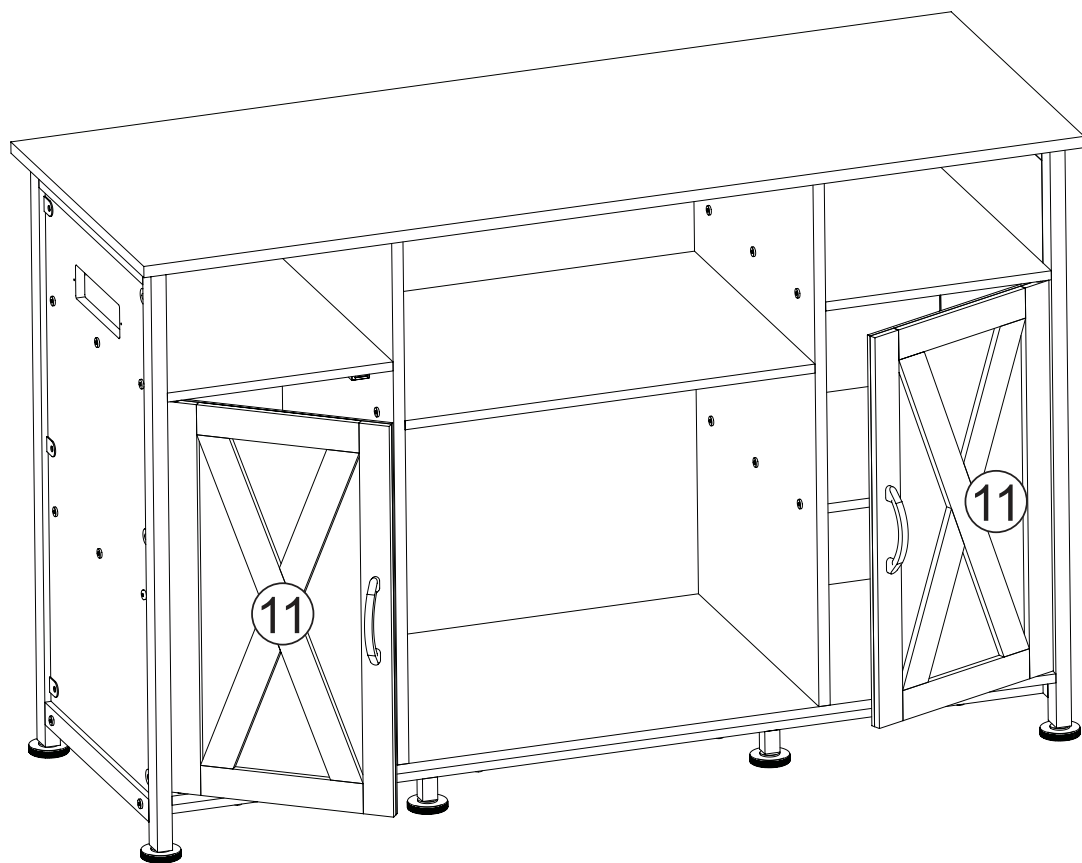


x 2

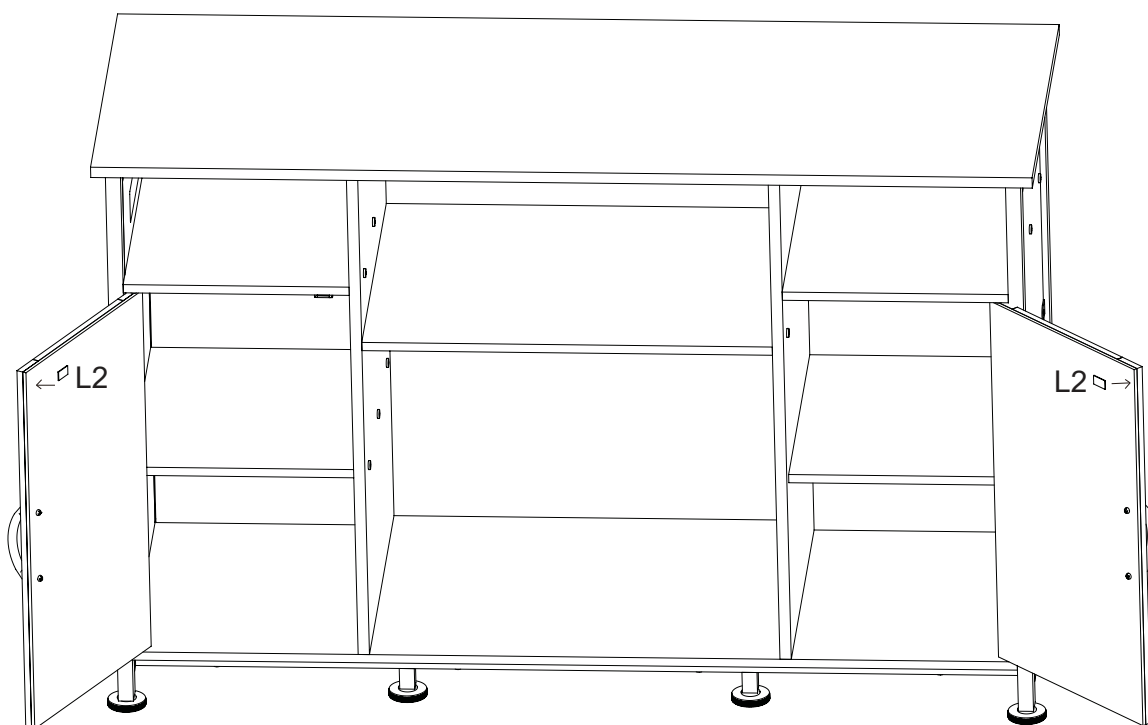


-  **G**x4
-  **F**x2
-  **E**x4

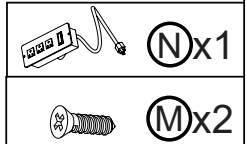
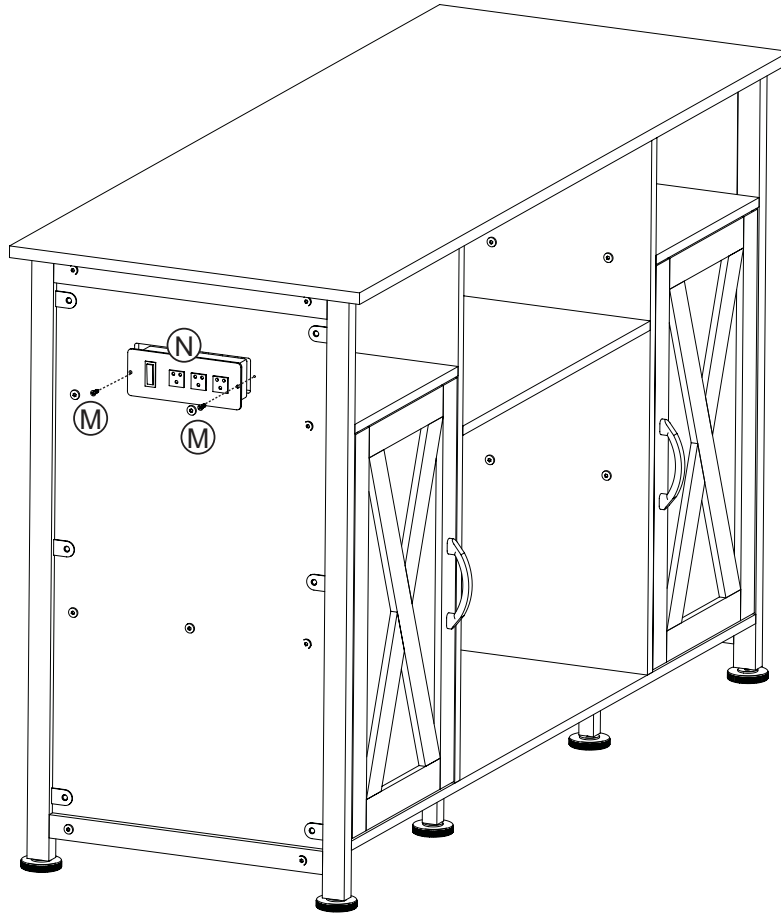
Step 15



Step 16



Step 17



Step 18

