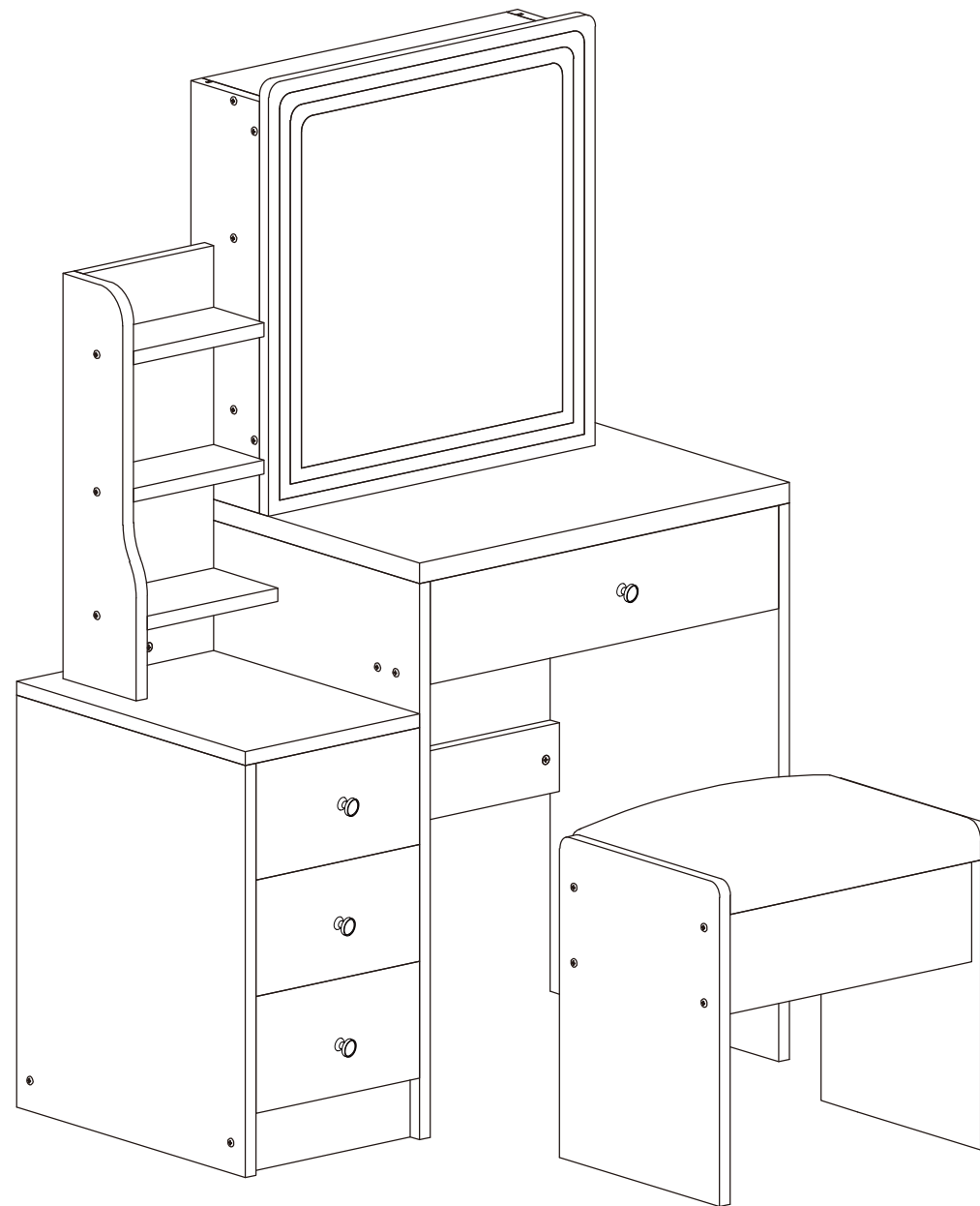
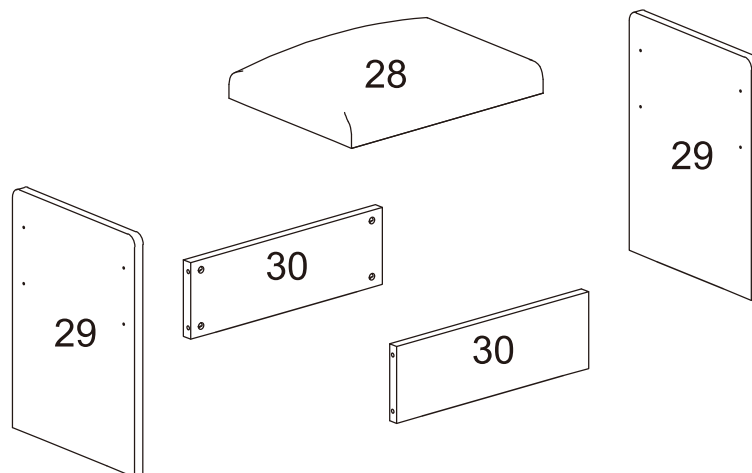
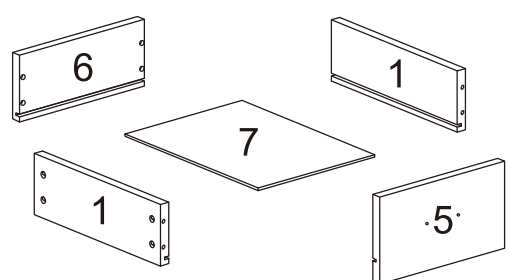
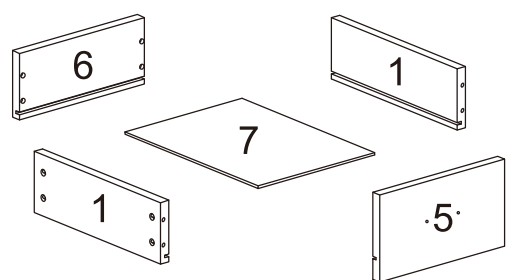
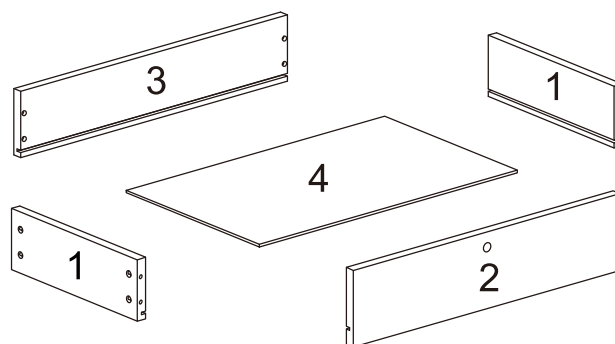
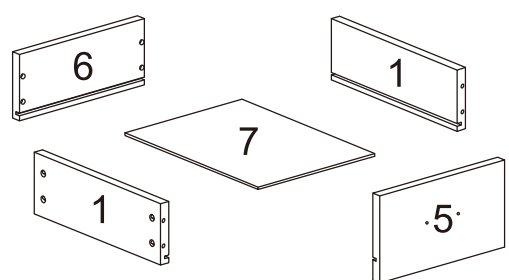
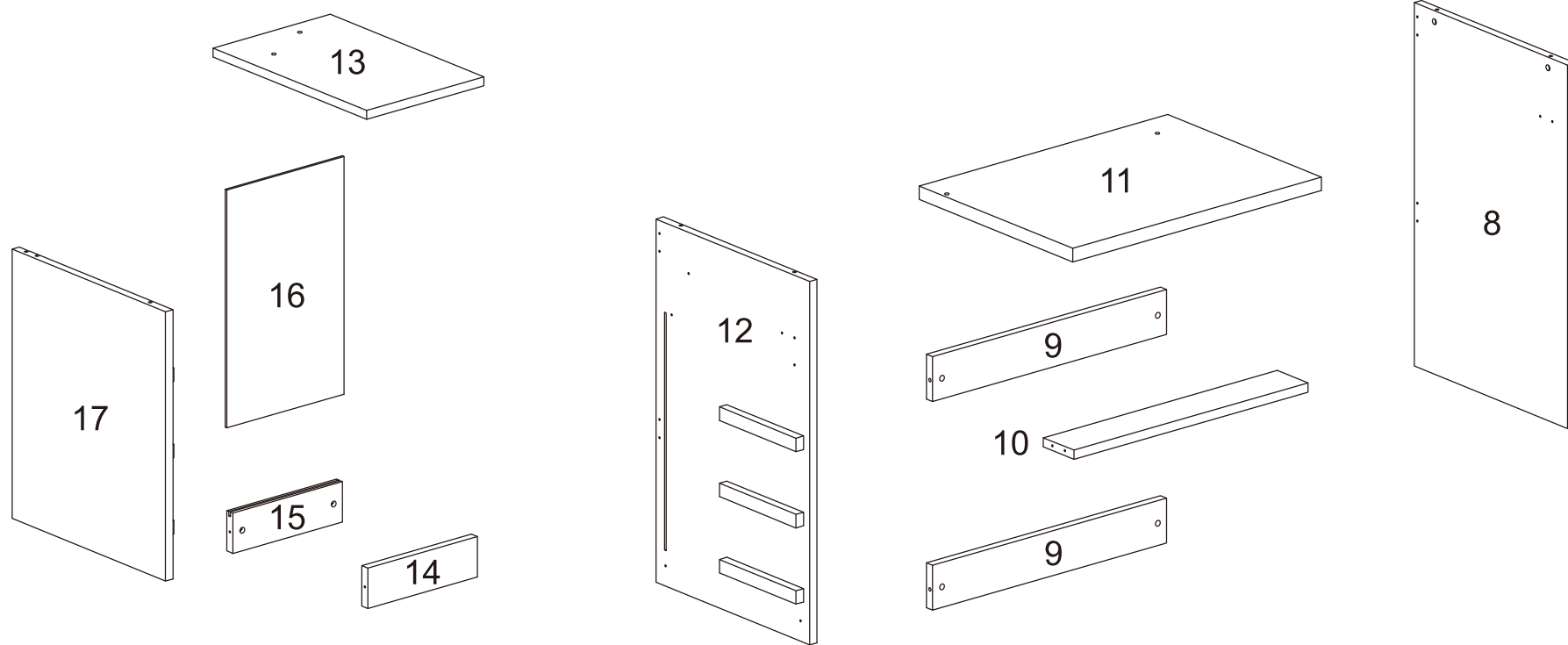
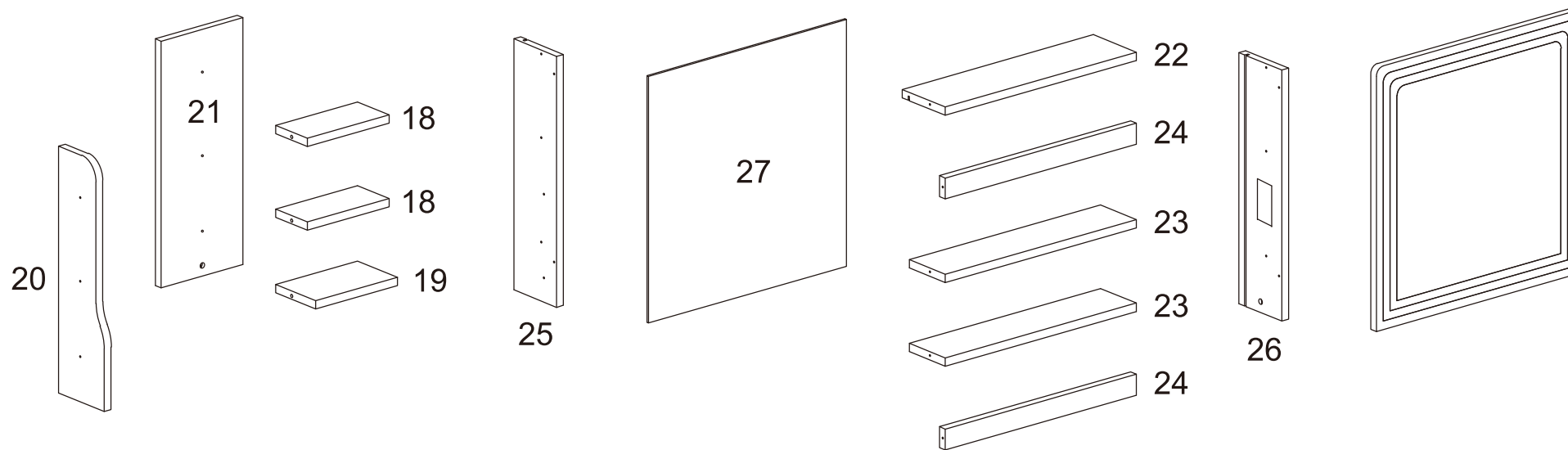


CRAZY ELF VANITY TABLE

**918S-W, 918S-B, 918S-W-L, 918S-B-L,
918S-W-LS, 918S-B-LS
INSTALLATION MANUAL**



**918 is type name, S is small size, W is white, B is Black,
L is light, S is socket**



1 - x8	16 - x1
2 - x1	17 - x1
3 - x1	18 - x2
4 - x1	19 - x1
5 - x3	20 - x1
6 - x3	21 - x1
7 - x3	22 - x1
8 - x1	23 - x2
9 - x2	24 - x2
10 - x1	25 - x1
11 - x1	26 - x1
12 - x1	27 - x1
13 - x1	28 - x1
14 - x1	29 - x2
15 - x1	30 - x2

Following pictures show the boards and hardware of white 918, please ignore the board color, just notice the shape and hole site to distinguish the different boards and hardware, then put it to the right place in order.





1 -x8



2 -x1



3 -x1



4 -x1



5 -x3



6 -x3



7 -x3



8 -x1



9 -x2



10 -x1



11 -x1



12 -x1



13 -x1



14 -x1



15 -x1



16 -x1



17 -x1



18 -x2



19 -x1



20 -x1



21 -x1



22 -x1



23 -x2



24 -x2

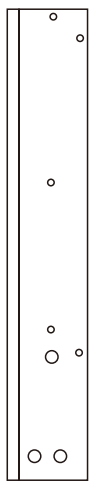


25 -x1



for 918S - LS

or



for 918S and 918S - L

26 -x1



27 -x1



28 -x1



29 -x2



30 -x2



31 -x1

HARDWARE



A	SCREW & PLASTIC LOCK	x50
---	----------------------	-----



B	SCREW & METAL LOCK	x43
---	--------------------	-----



C	SCREW	x8
---	-------	----



D	SCREW	x16
---	-------	-----



E	HANDLE	x4
---	--------	----



F	PLASTIC SHOE	x10
---	--------------	-----



G	L PLATE	x2
---	---------	----



J	RAIL	x2
---	------	----



K	SOCKET	x1
---	--------	----

ONLY FOR 918S-LS



L	HAIR DRYER BRACKET	x1
---	--------------------	----

ONLY FOR 918S-LS

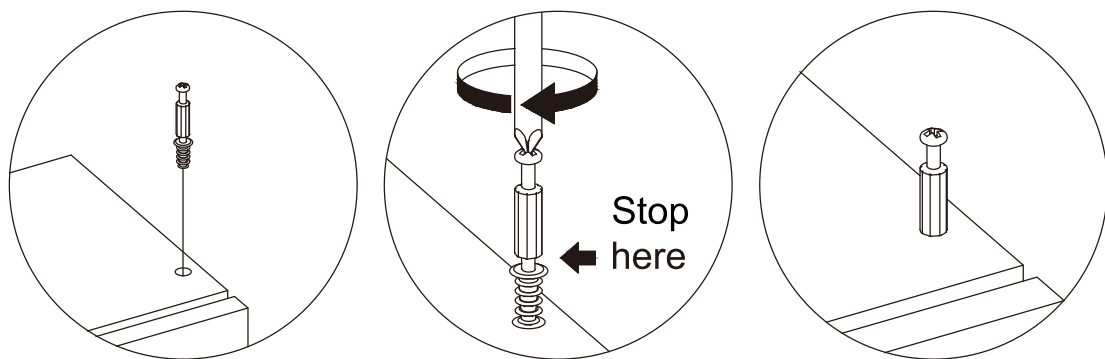


P	POWER PLUG	x1
---	------------	----

FOR 918S-L AND 918S-LS

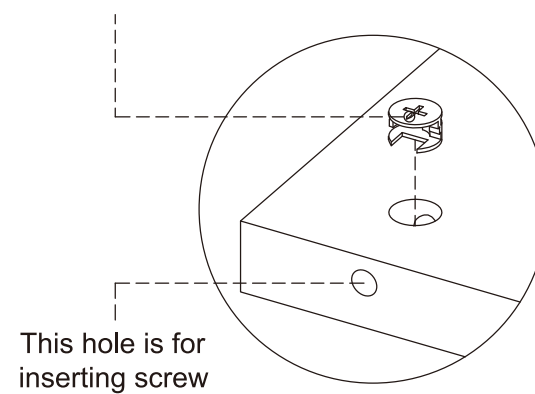
1. Screw installation method

When the screw is installed, please keep it in line with the board, and do not tighten it too tightly

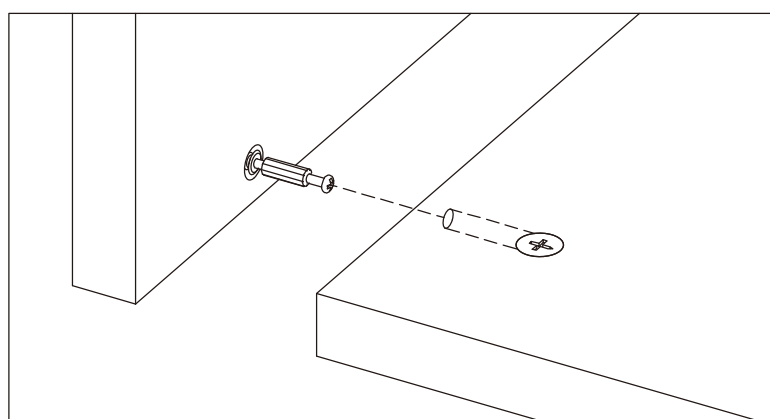


2. Check the Nut direction

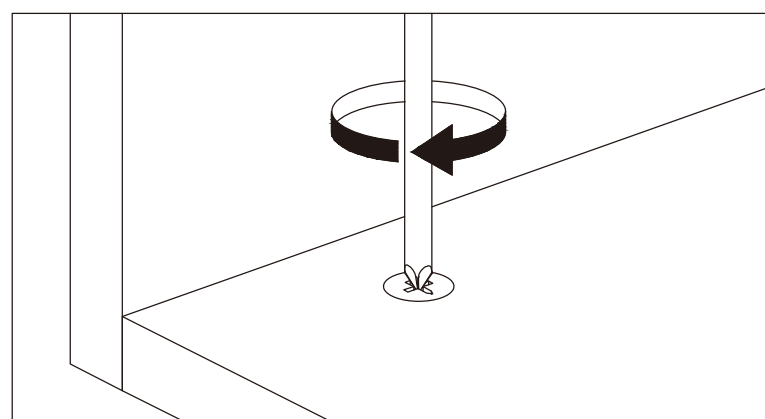
This direction of the marked nut is consistent with the direction in which the screw is inserted



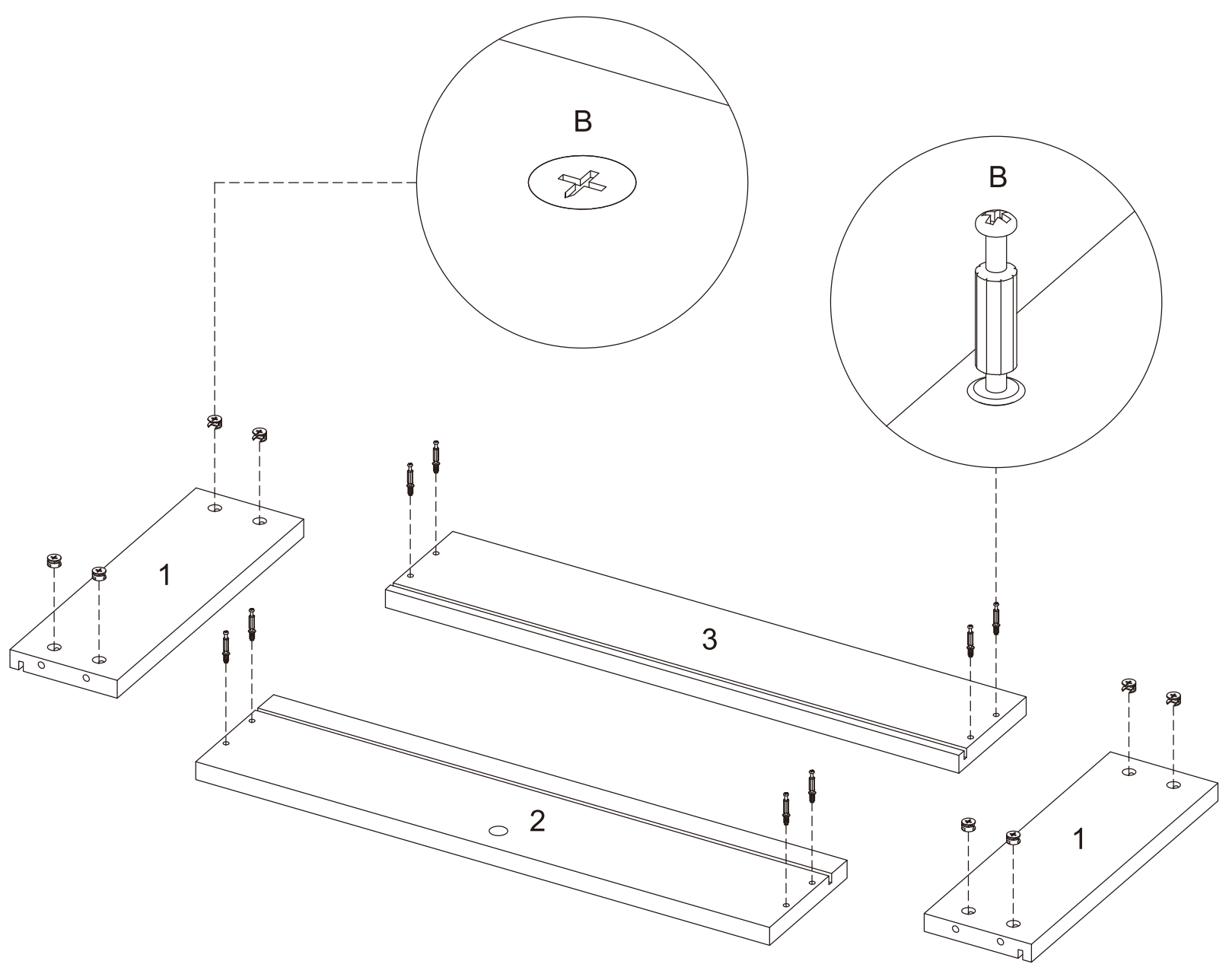
3. Installation on the board with fixing screws



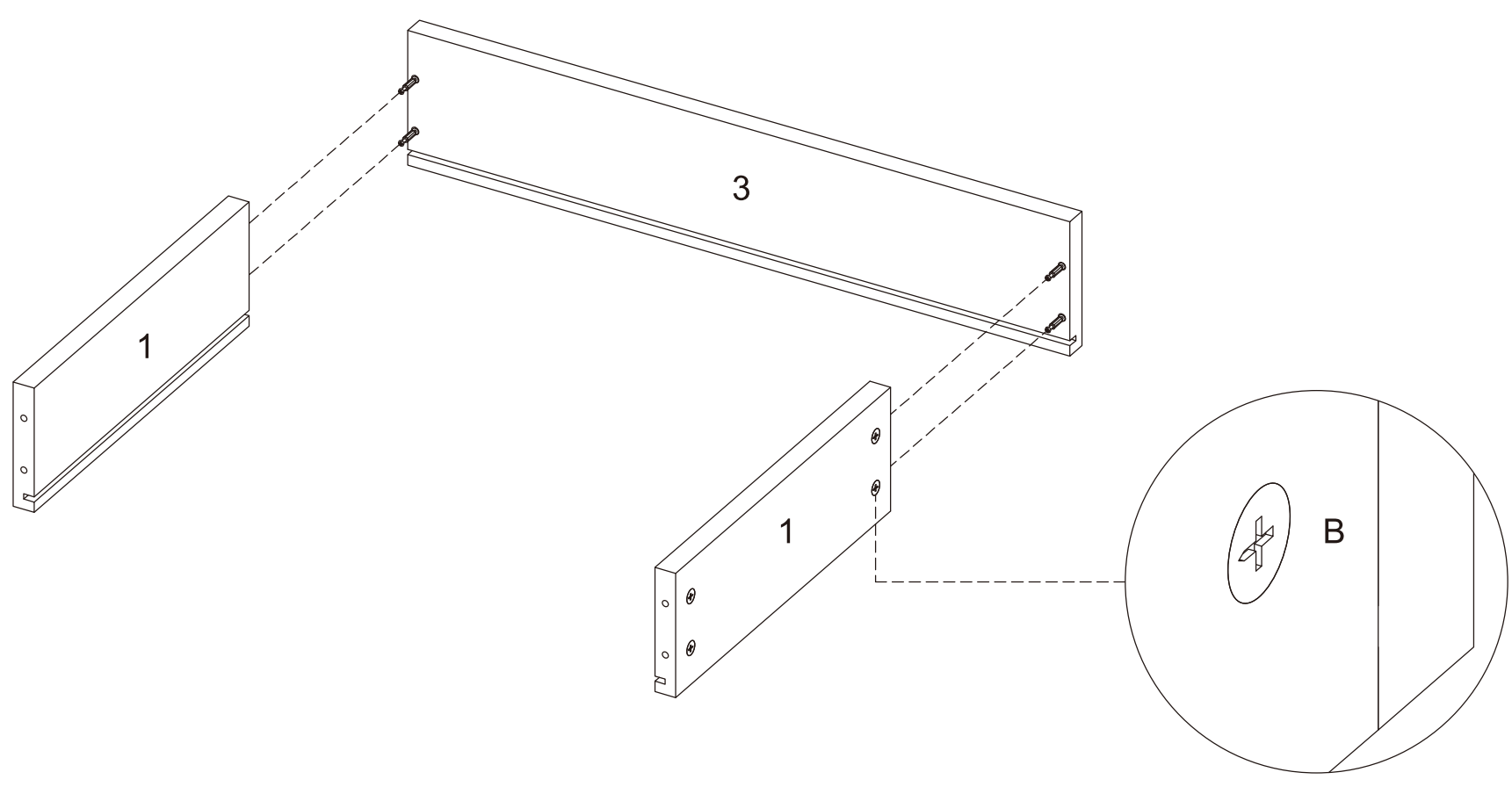
3. Rotate slowly until it stops



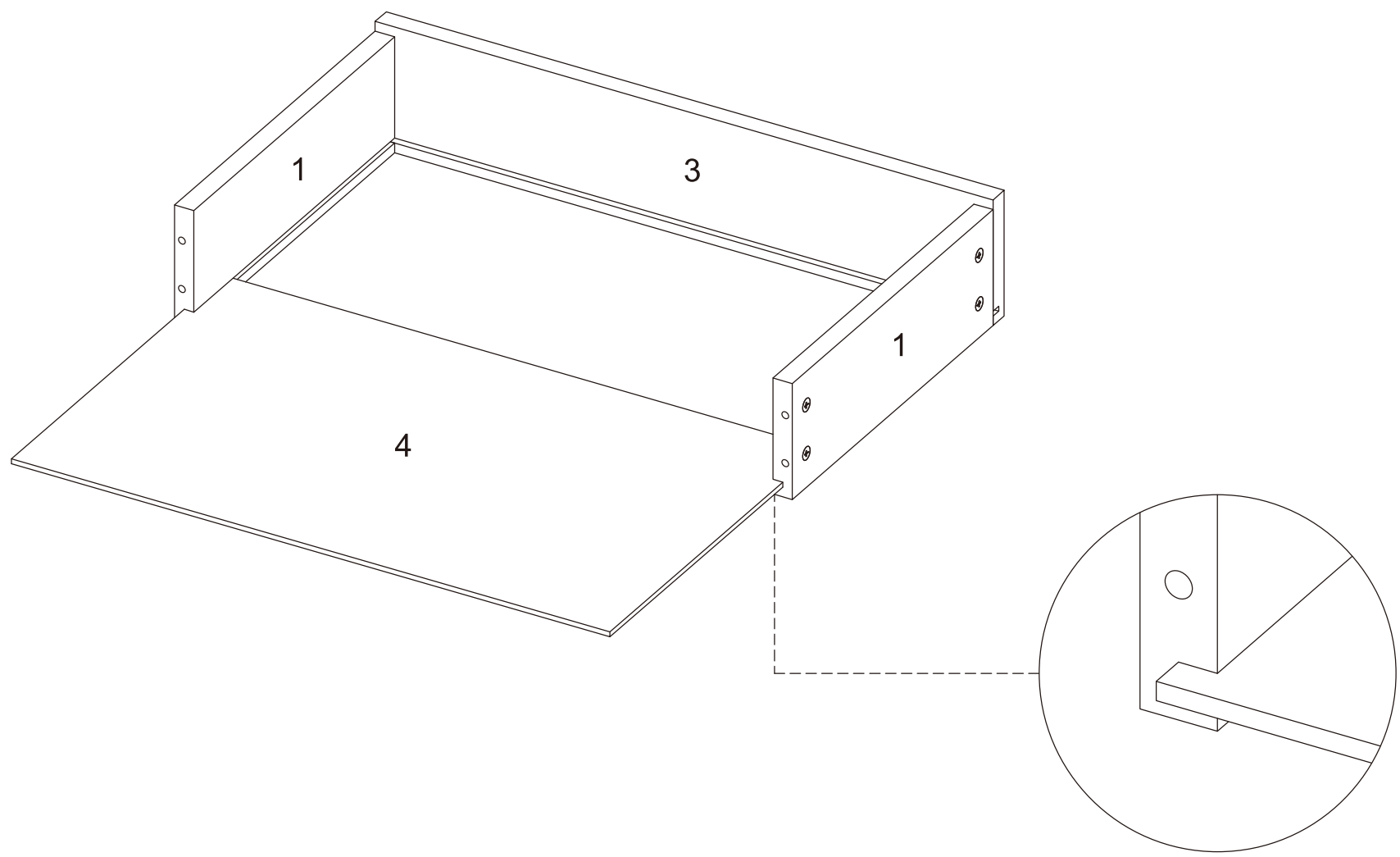
Step 01



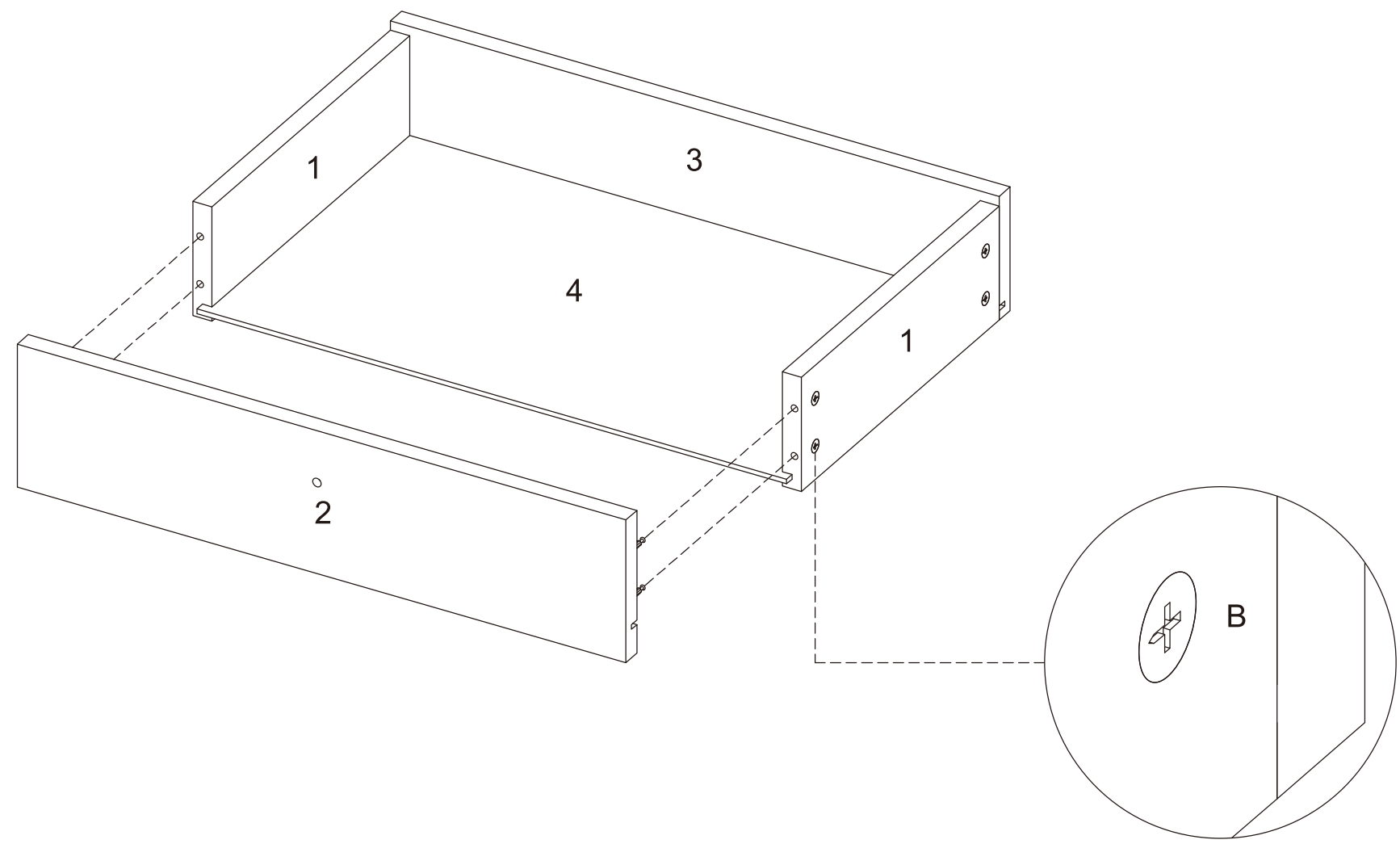
Step 02



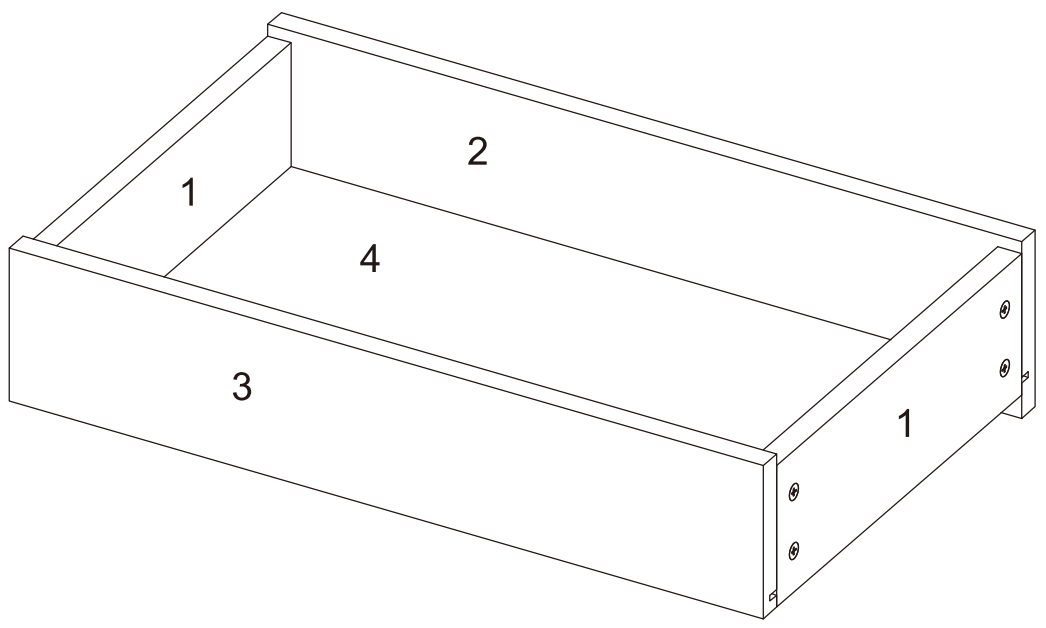
Step 03



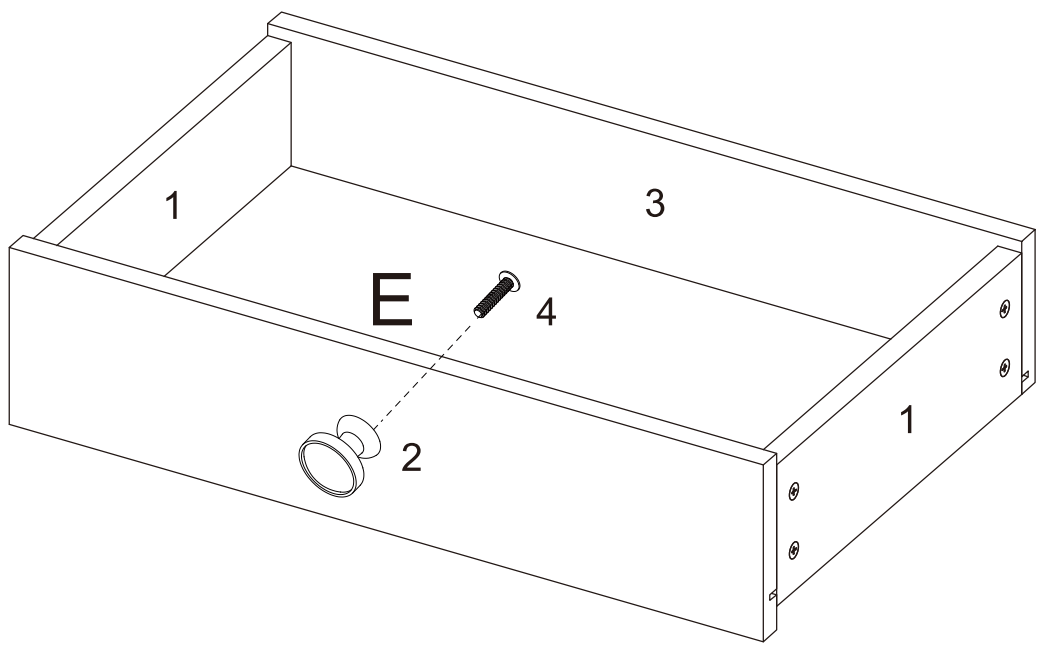
Step 04



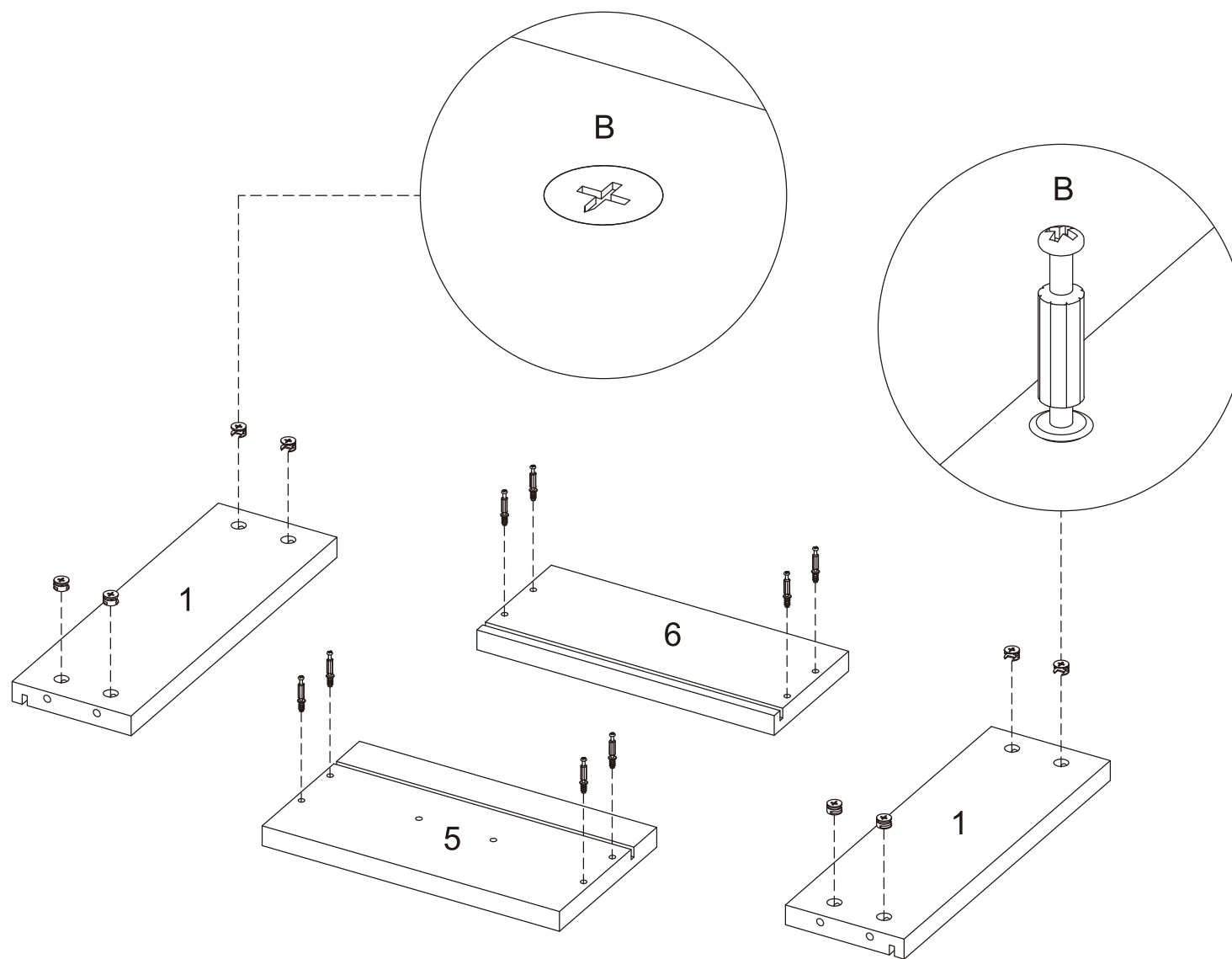
Step 05



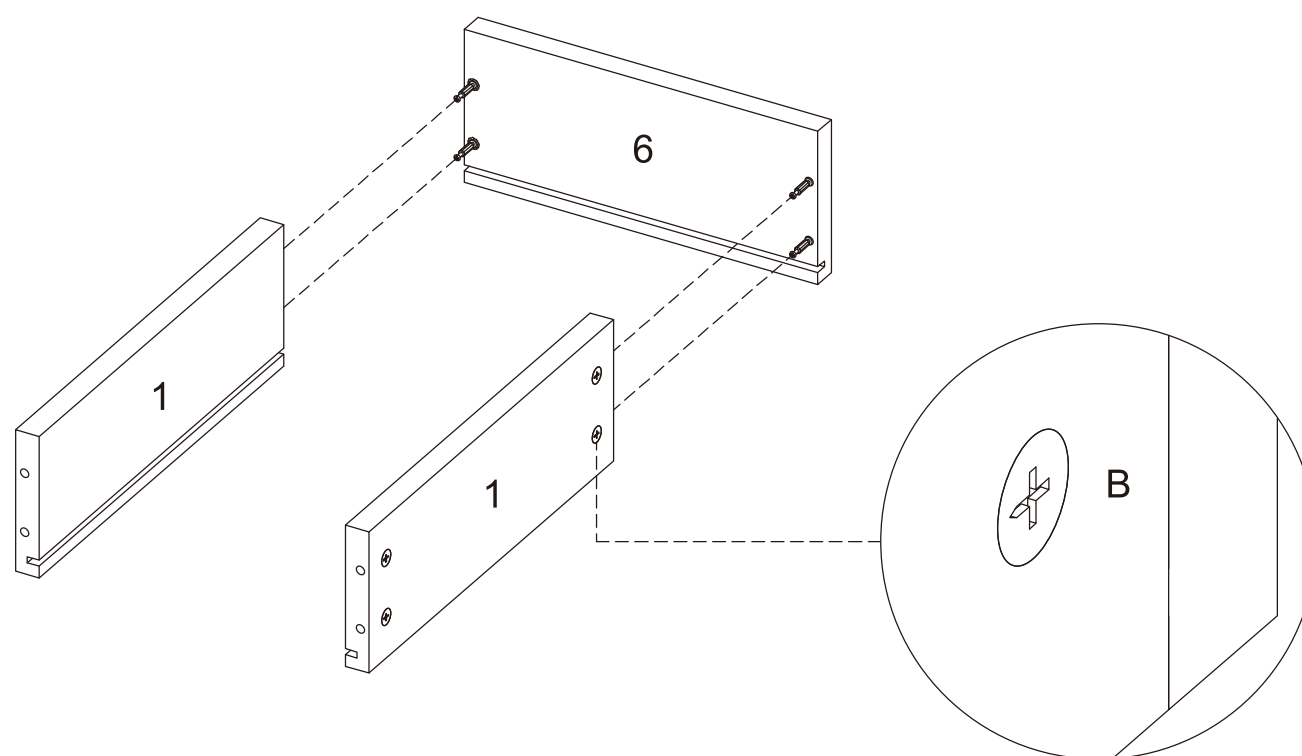
Step 06



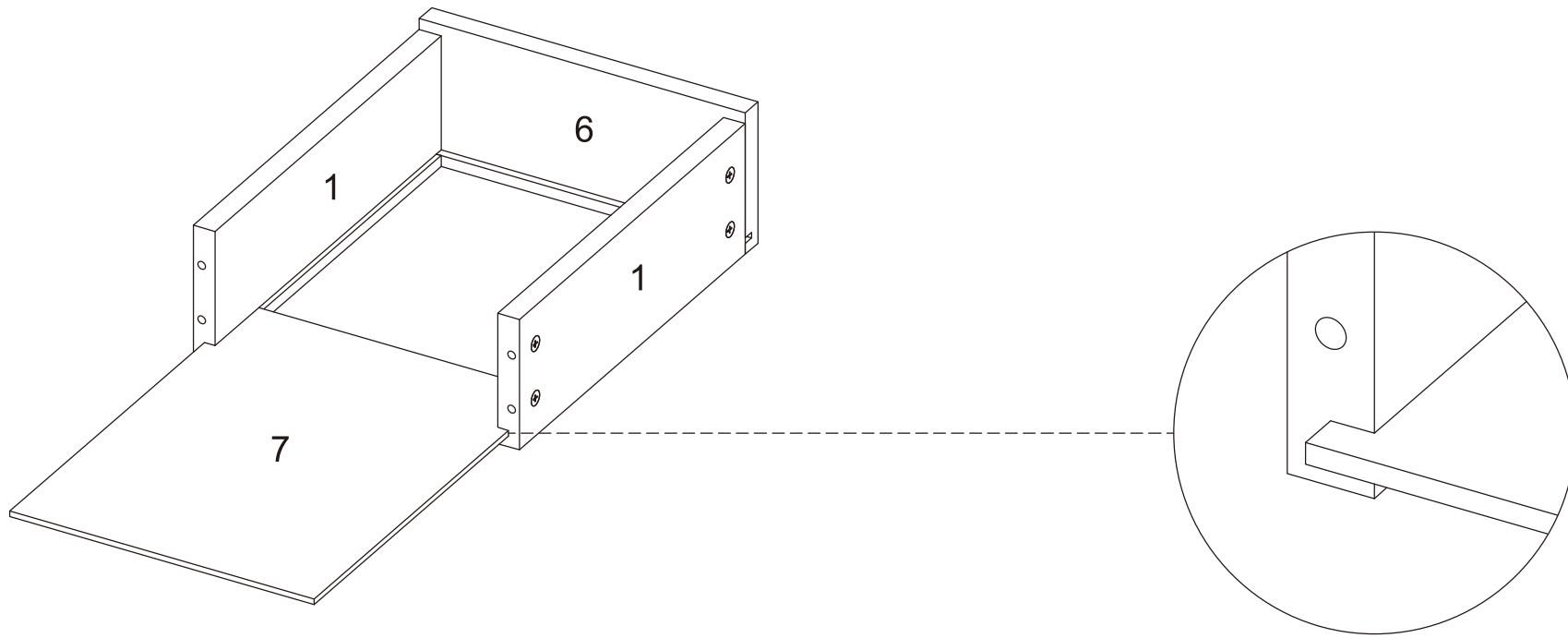
Step 07 x3



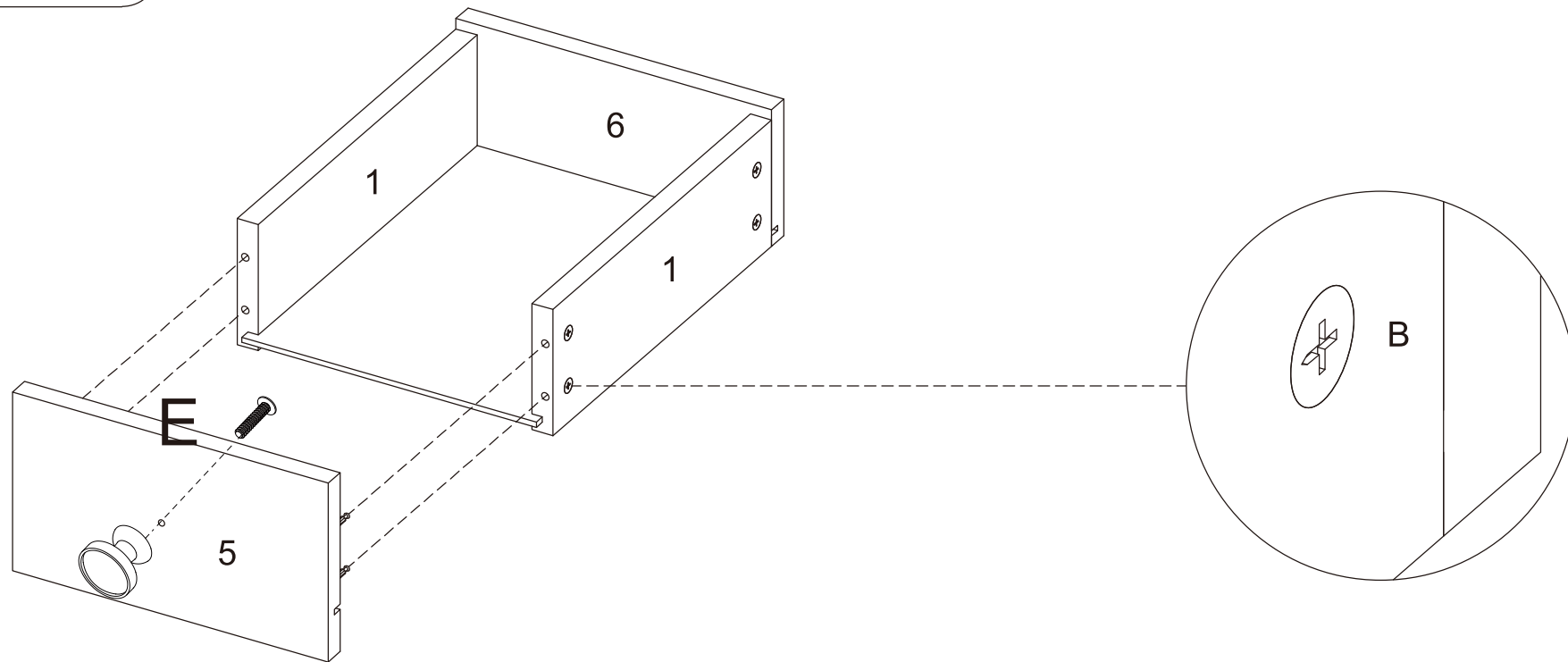
Step 08 x3



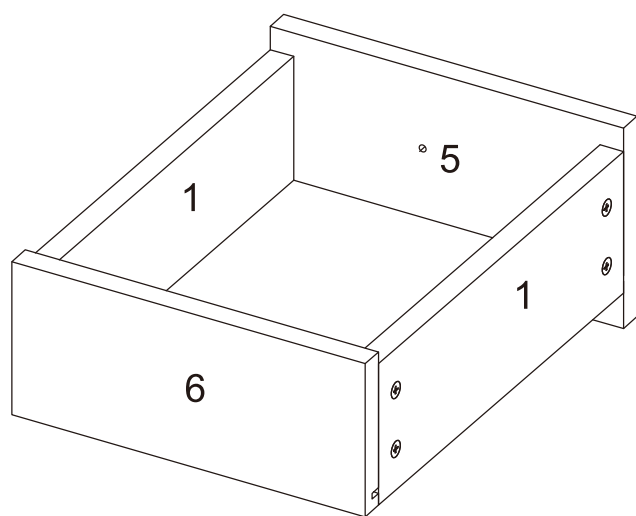
Step 09 x3



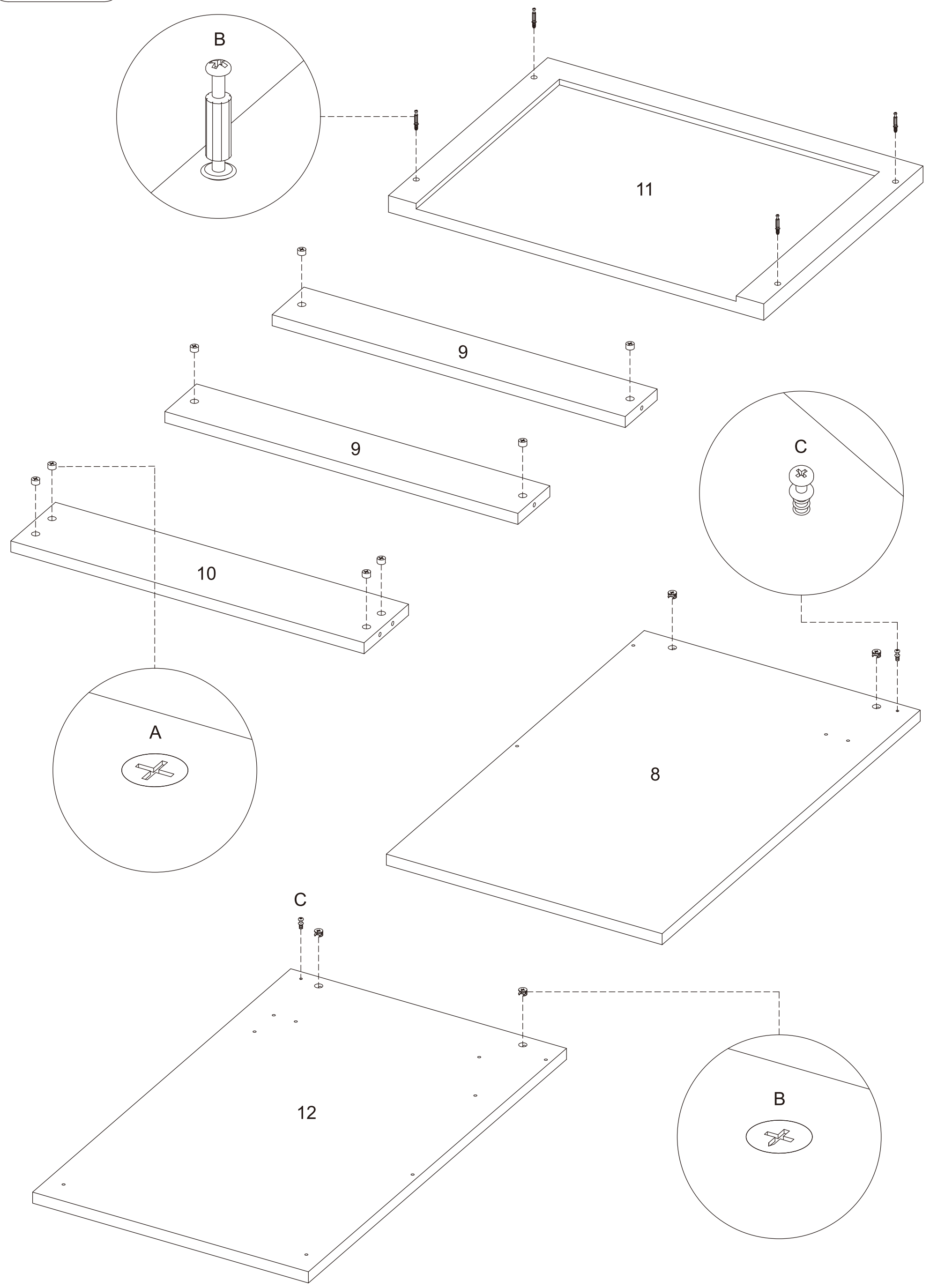
Step 10 x3



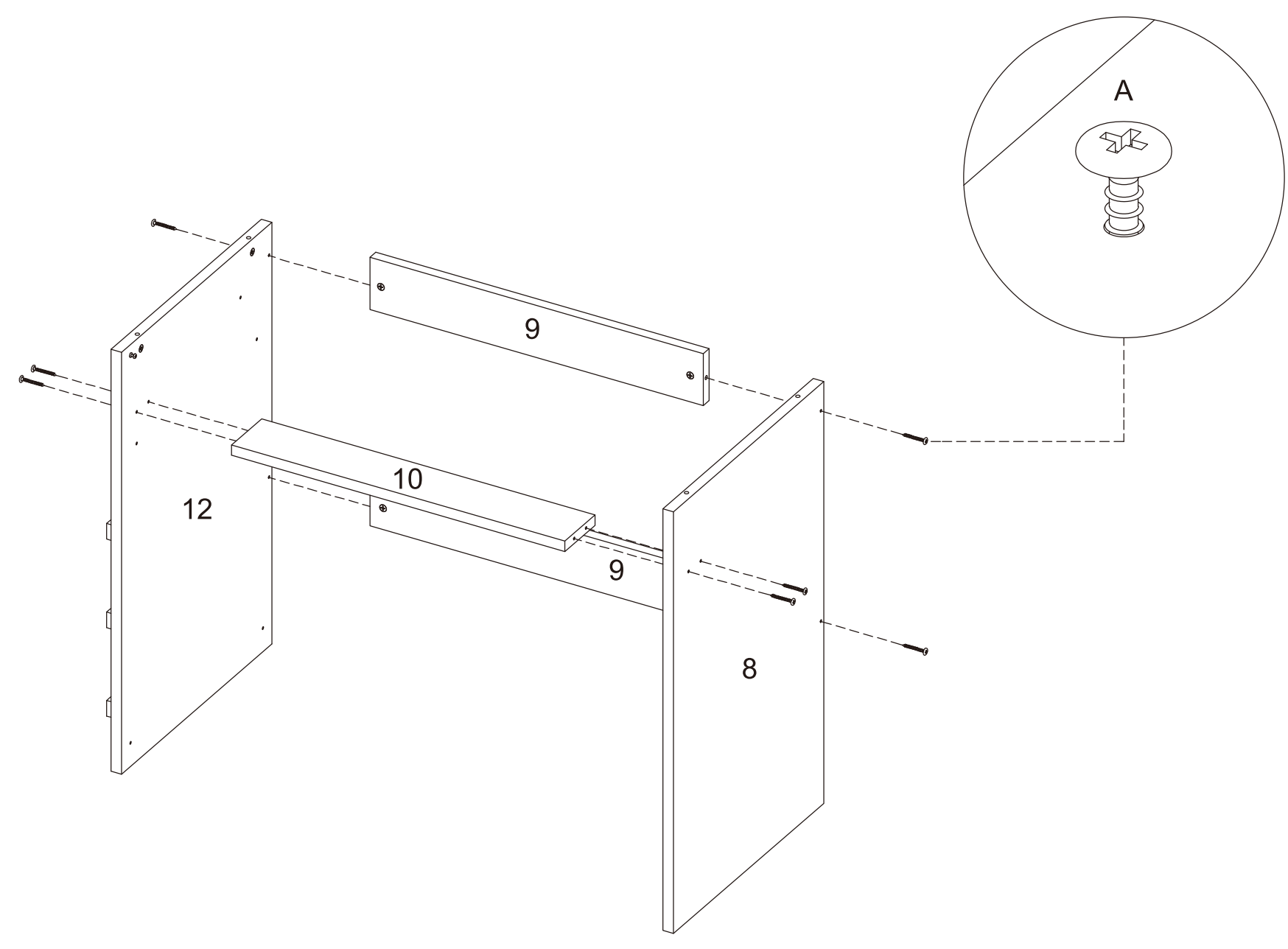
Step 11 x3



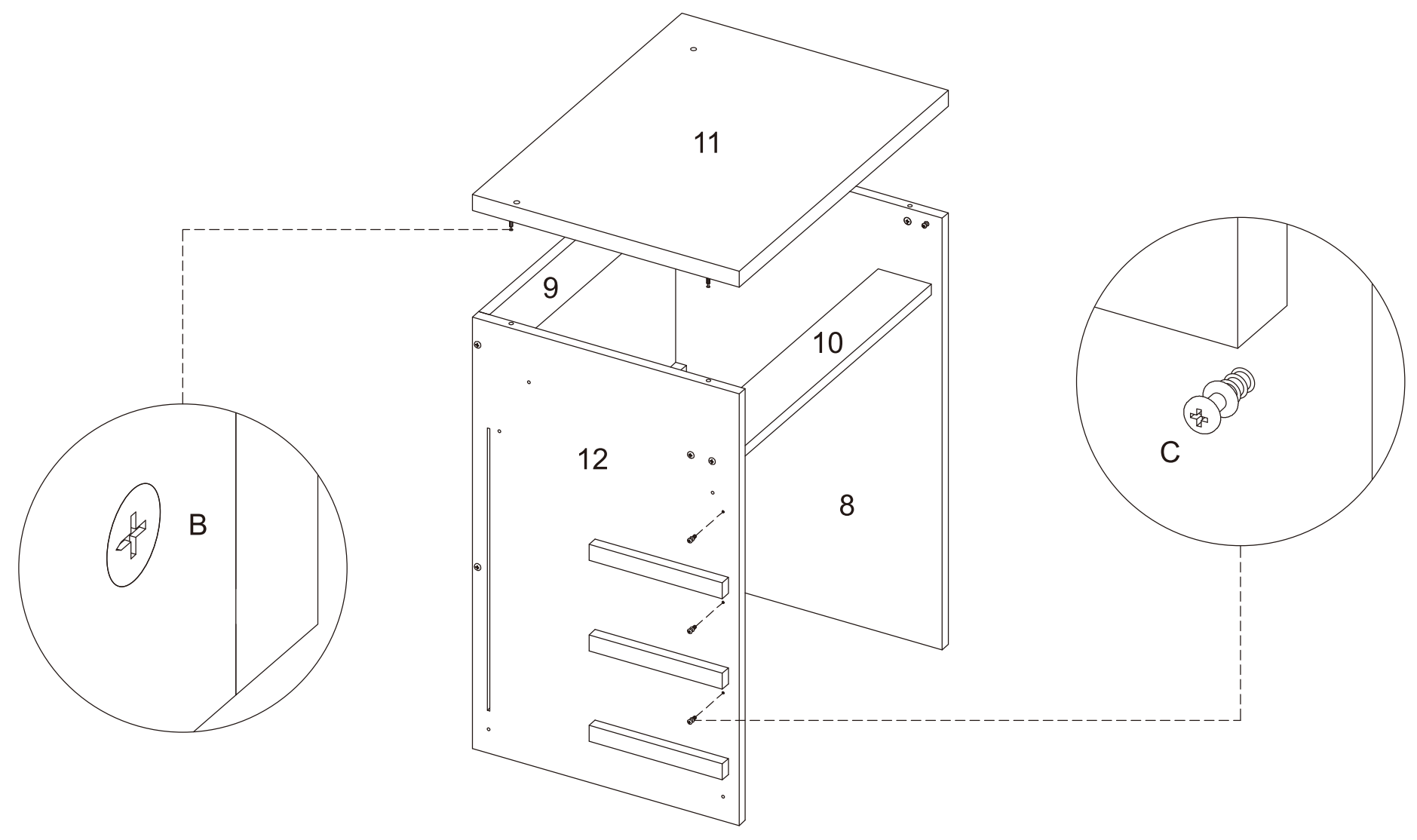
Step 12



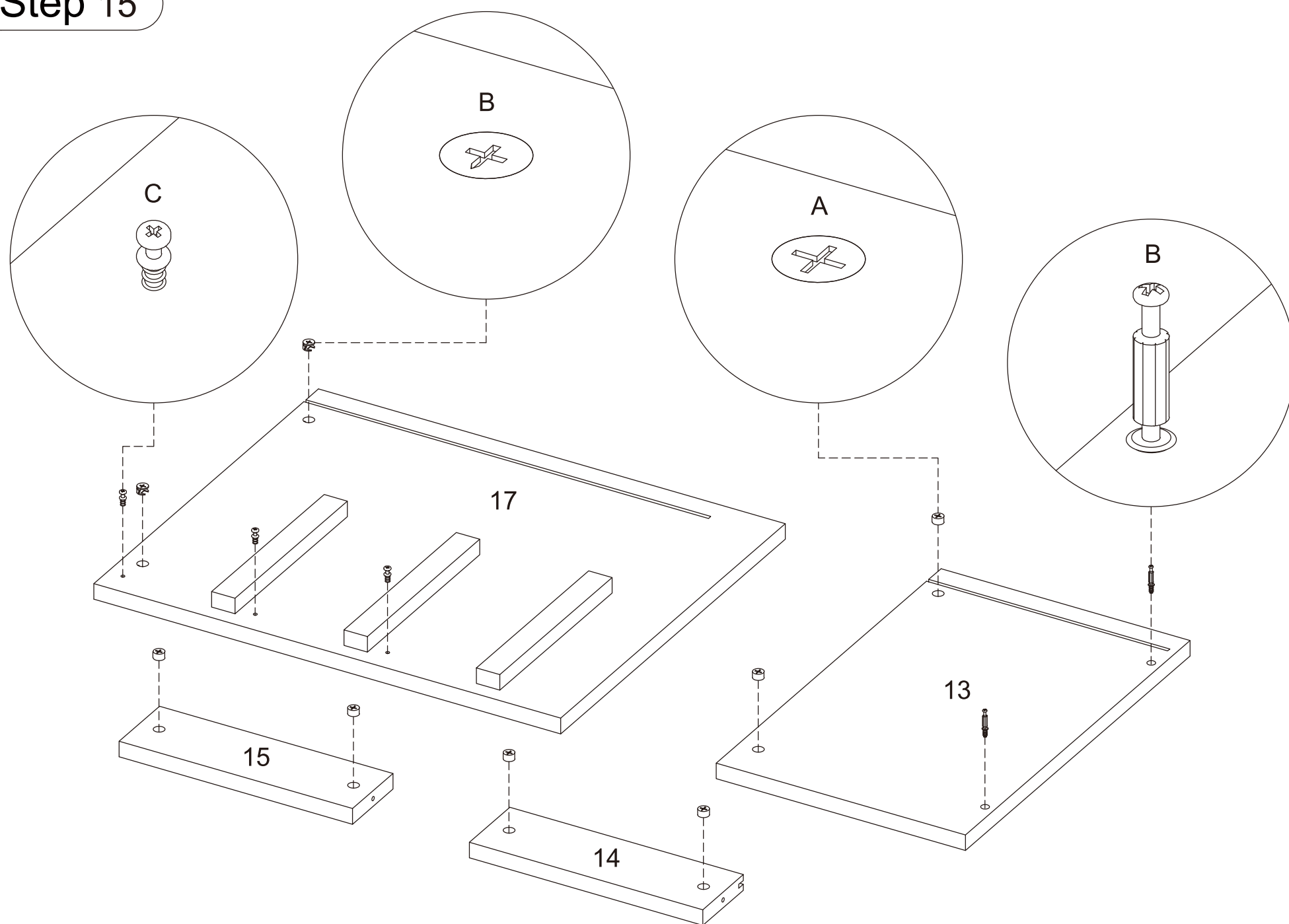
Step 13



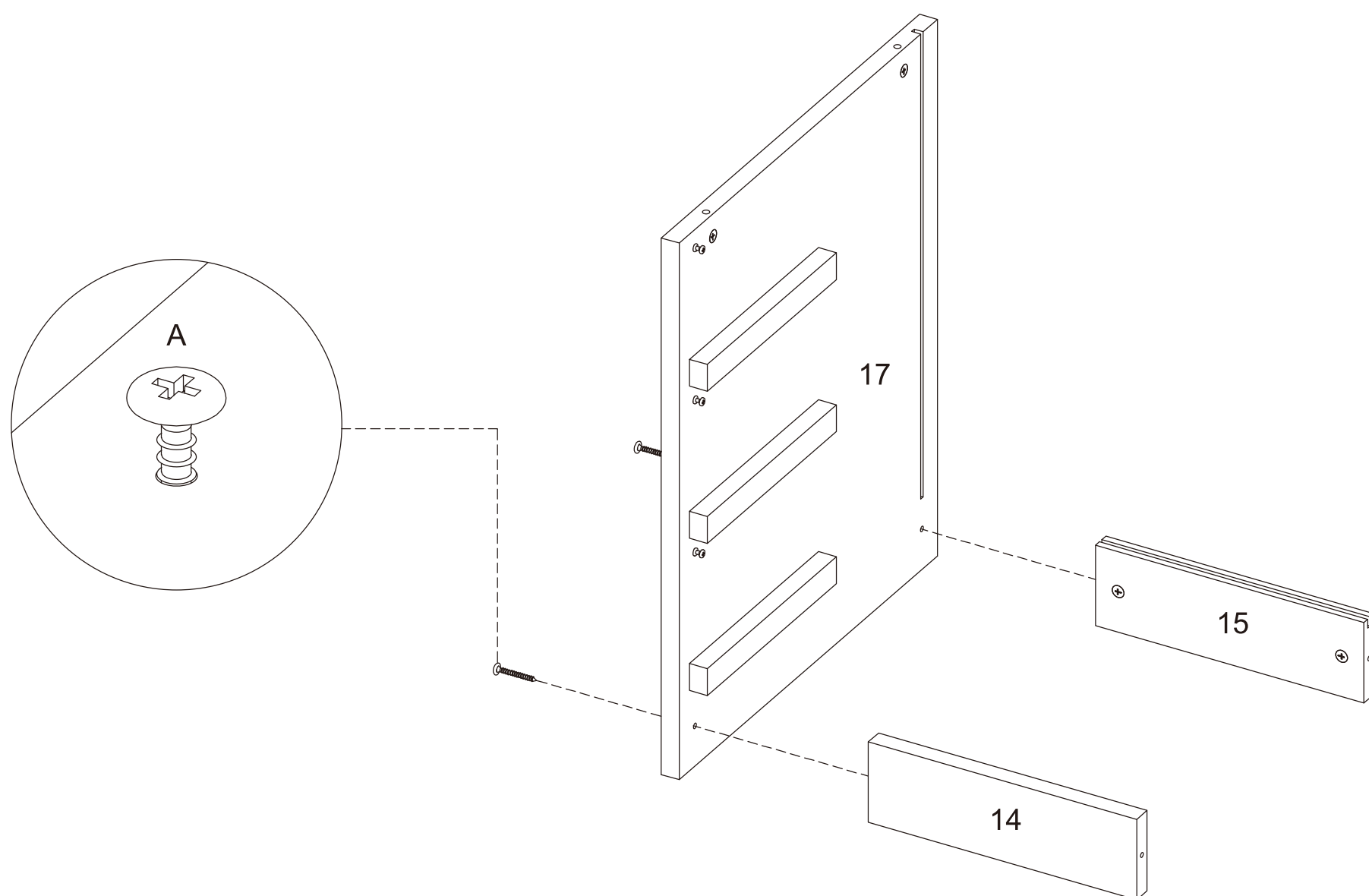
Step 14



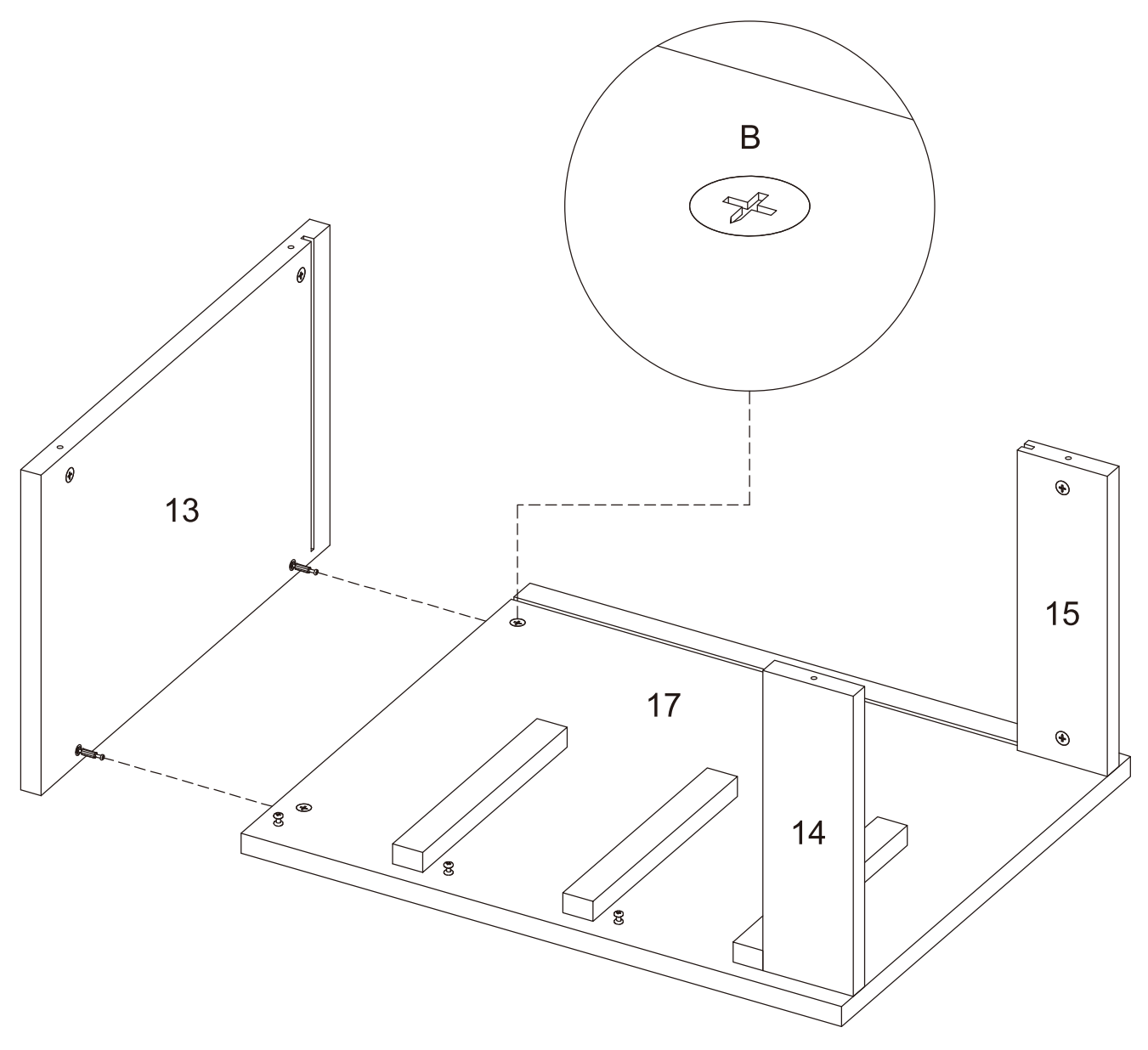
Step 15



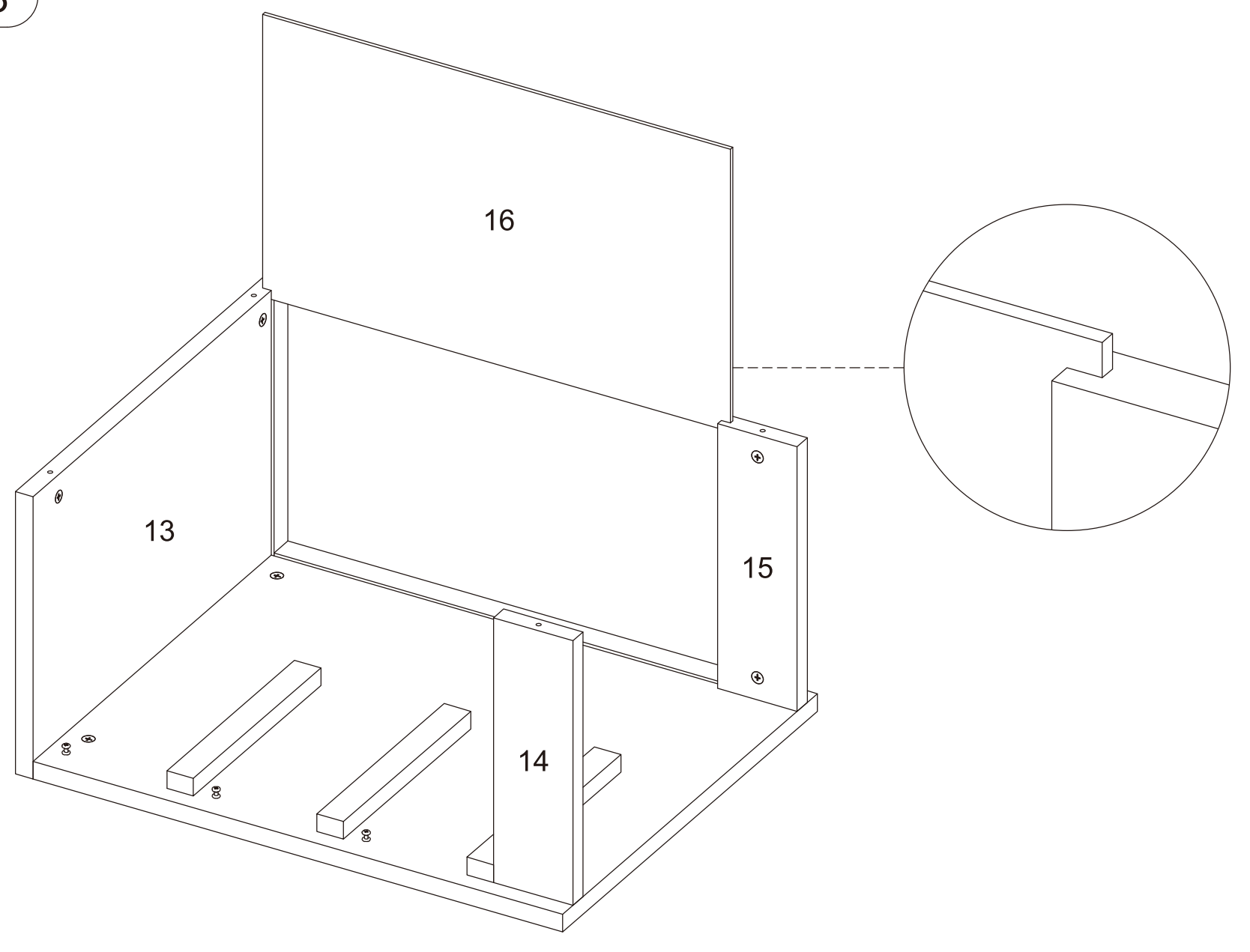
Step 16



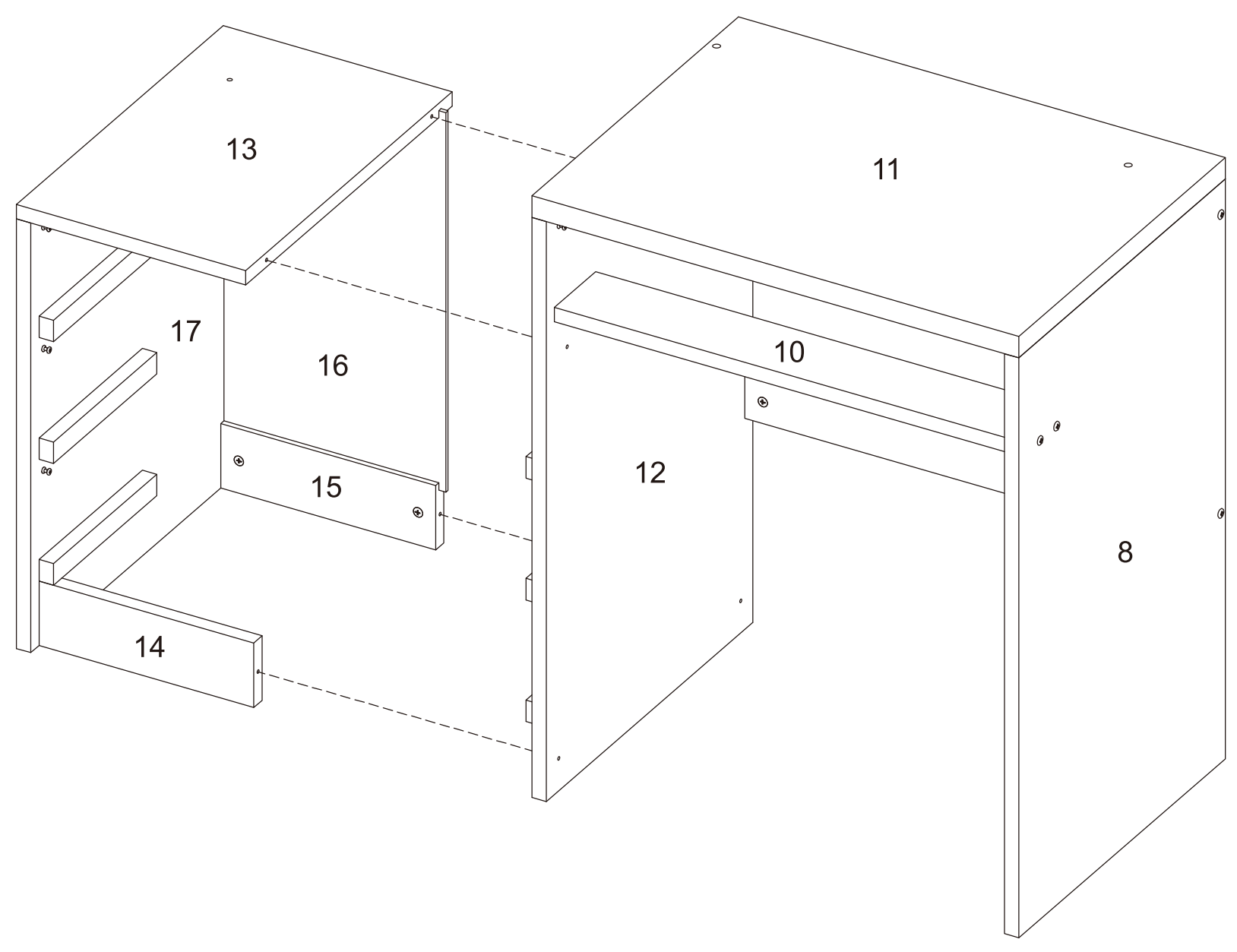
Step 17



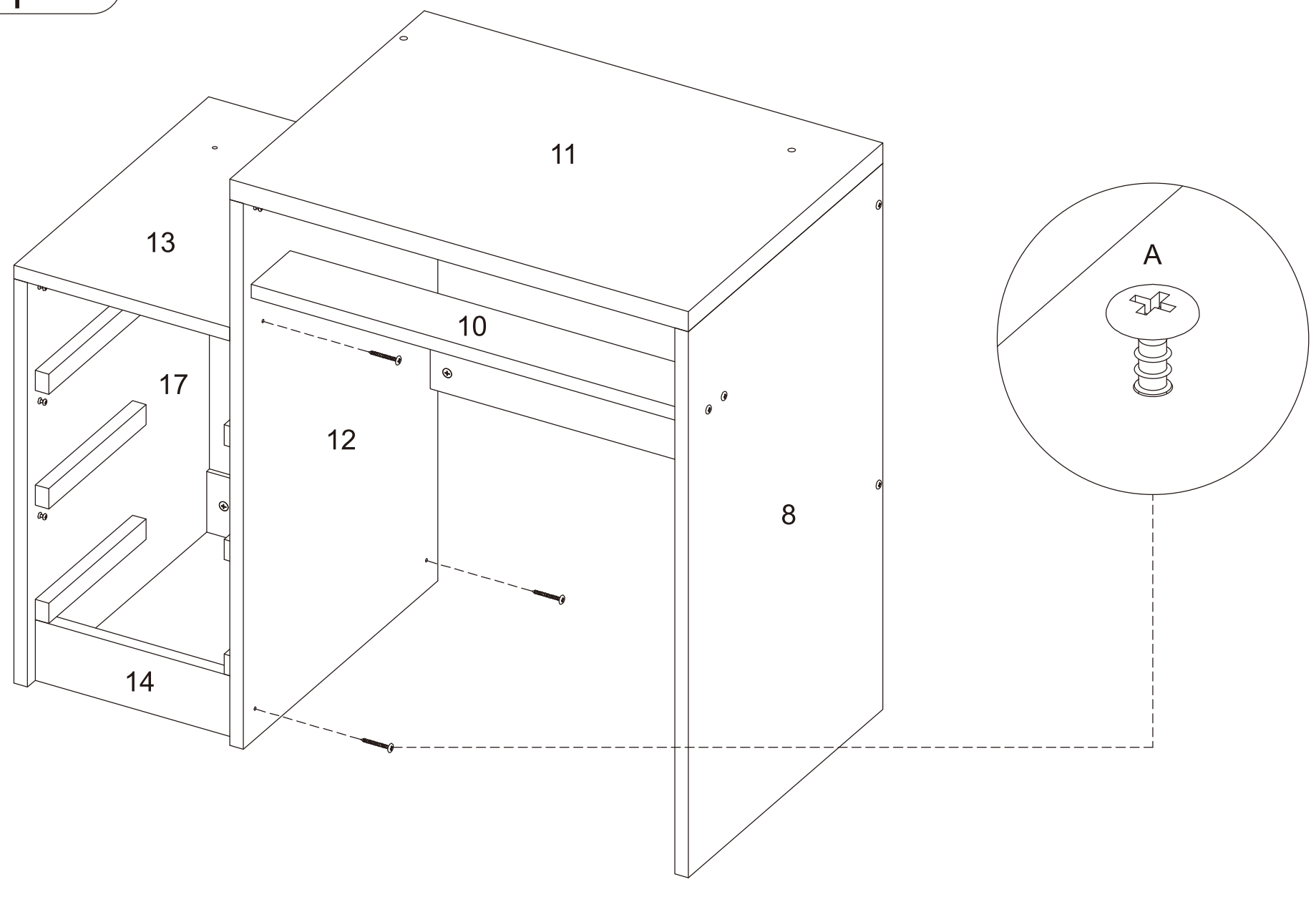
Step 18



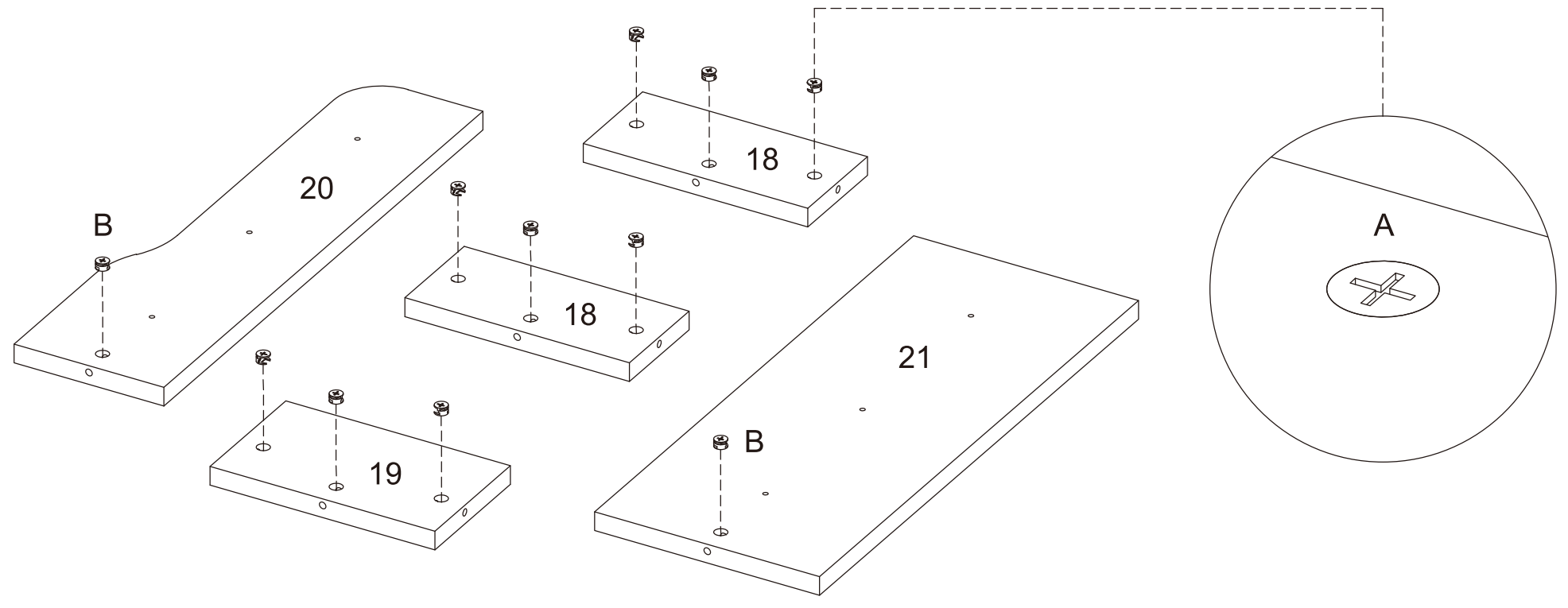
Step 19



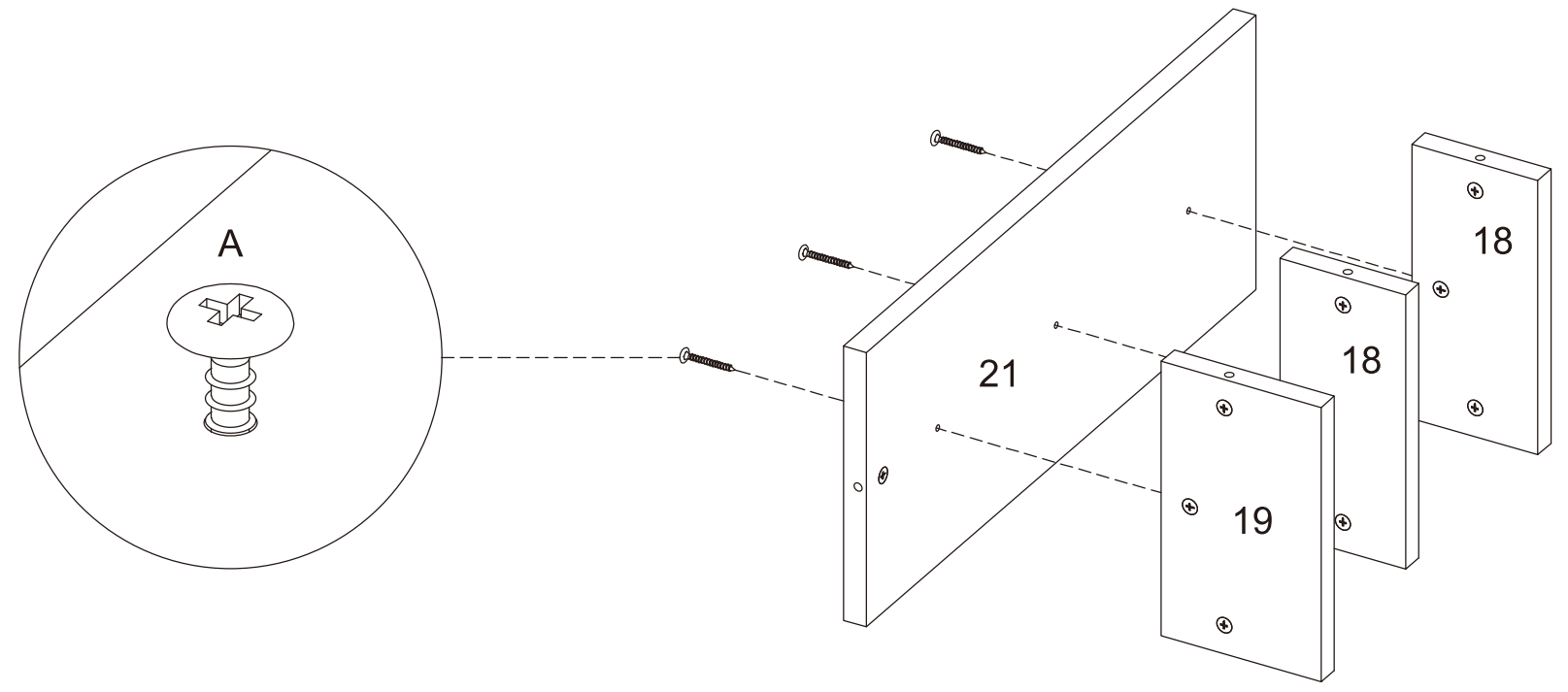
Step 20



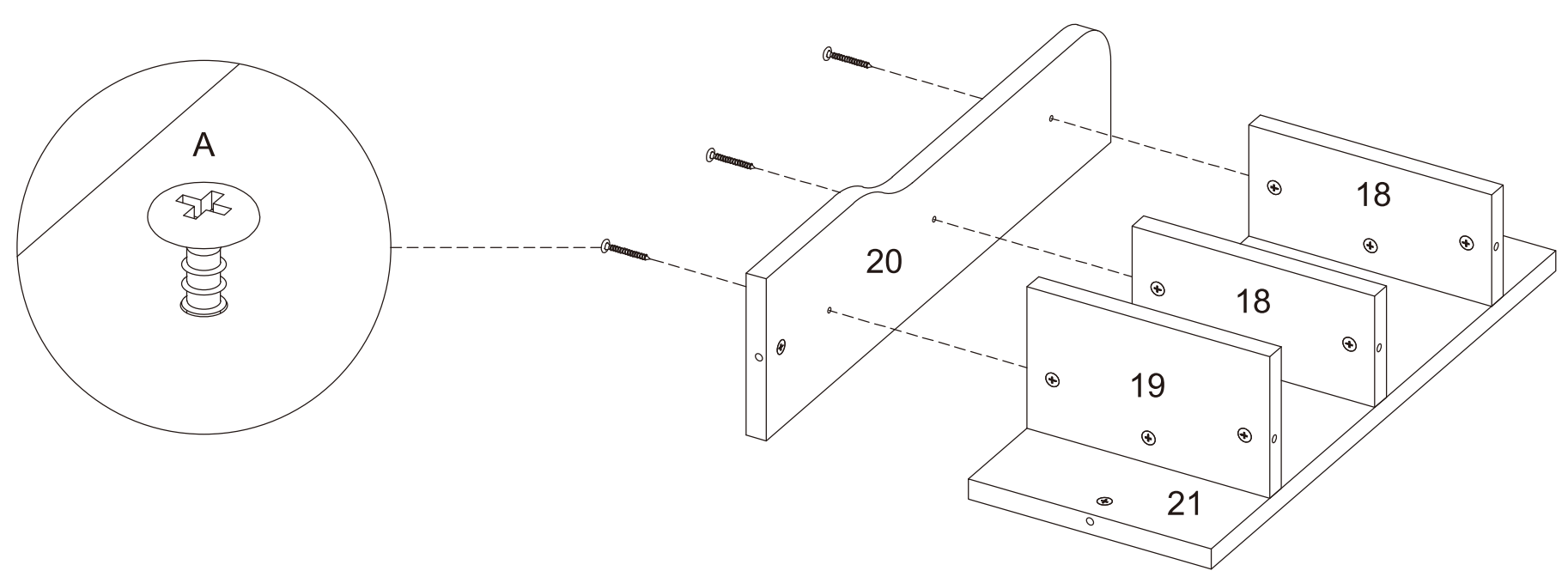
Step 21



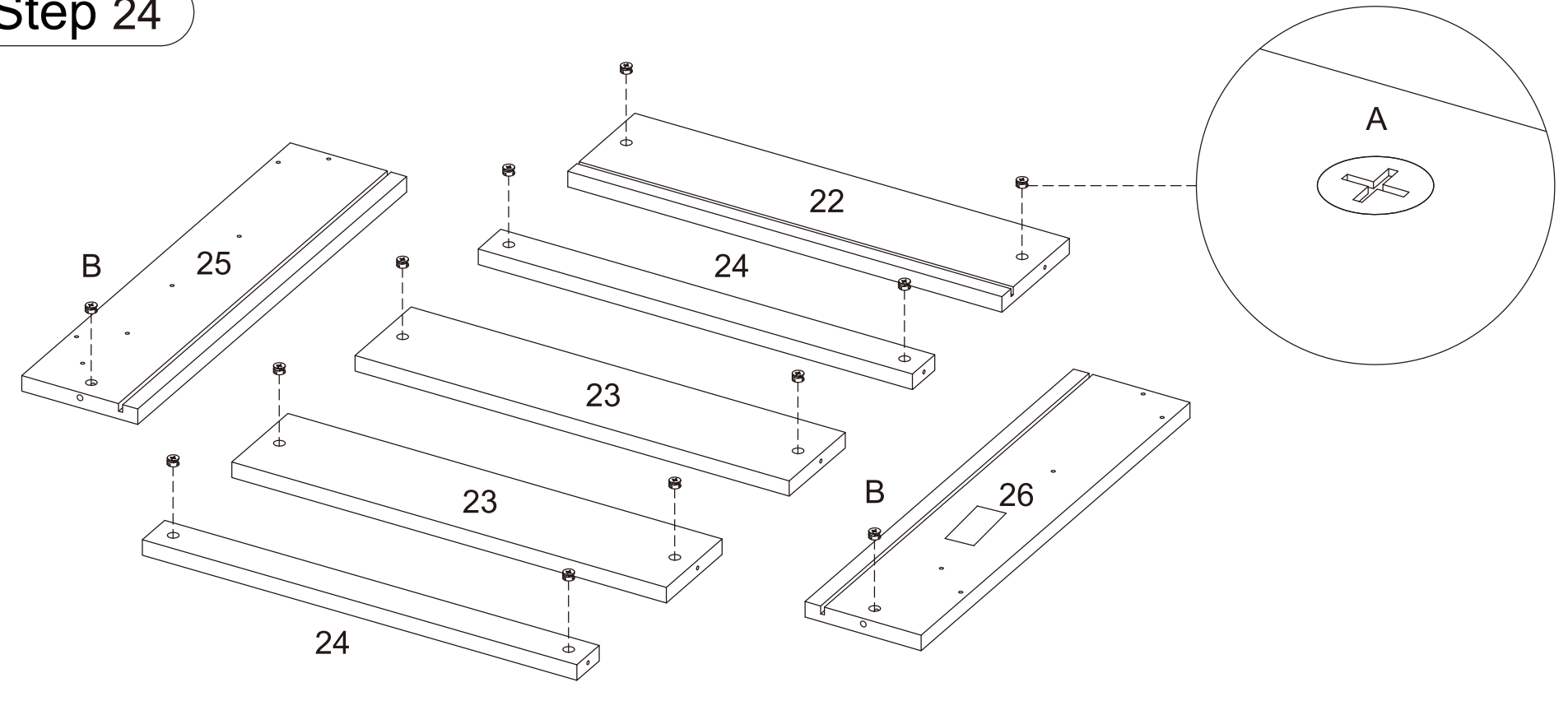
Step 22



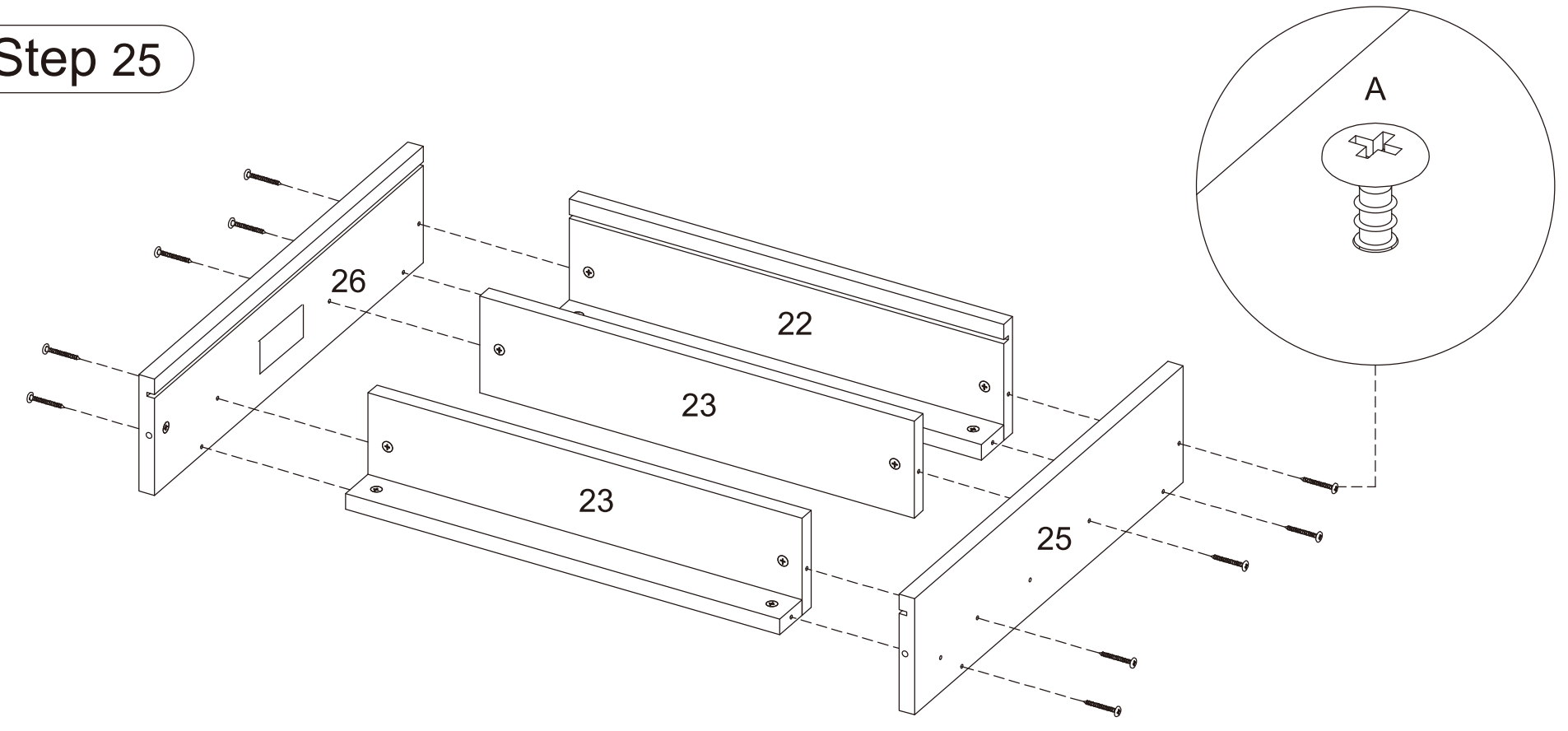
Step 23



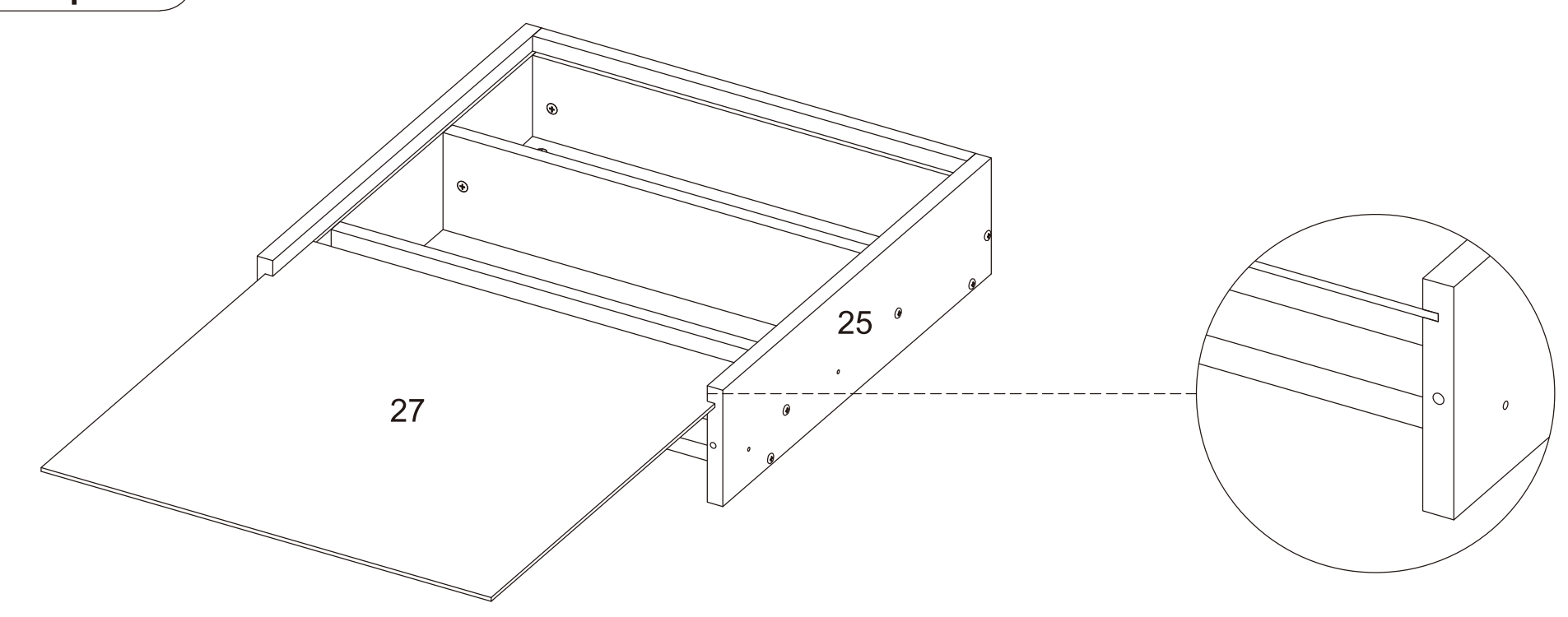
Step 24



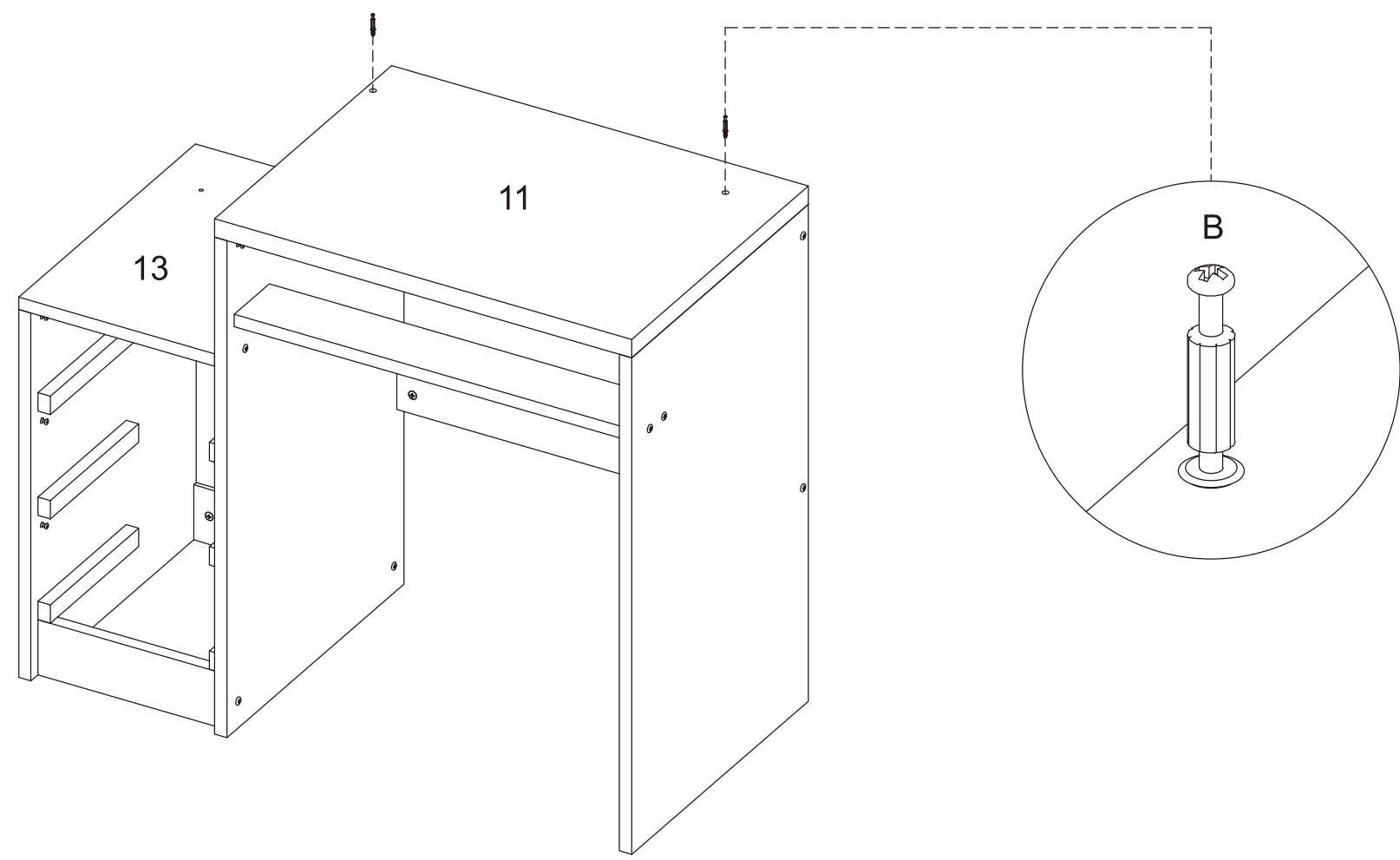
Step 25



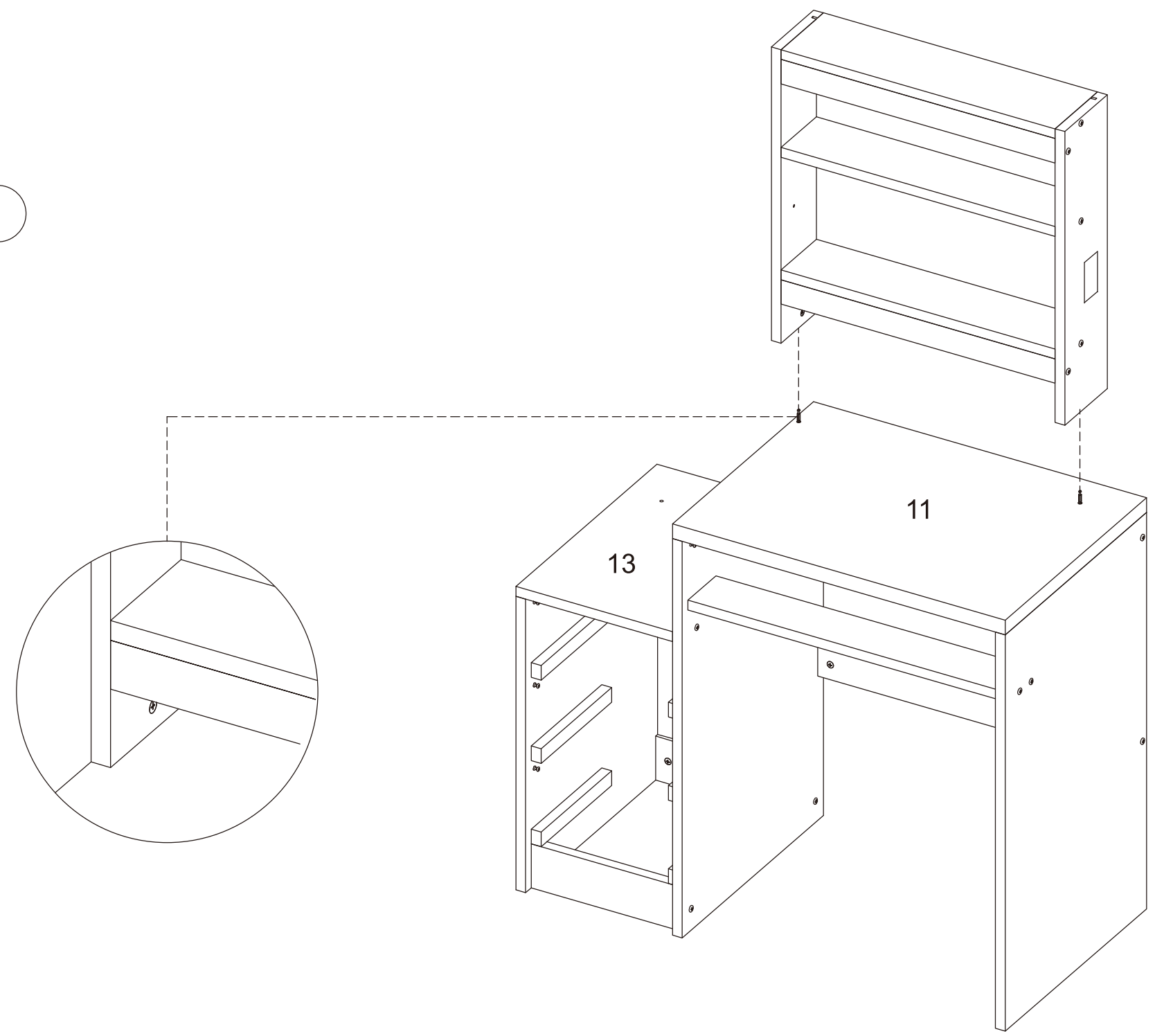
Step 26



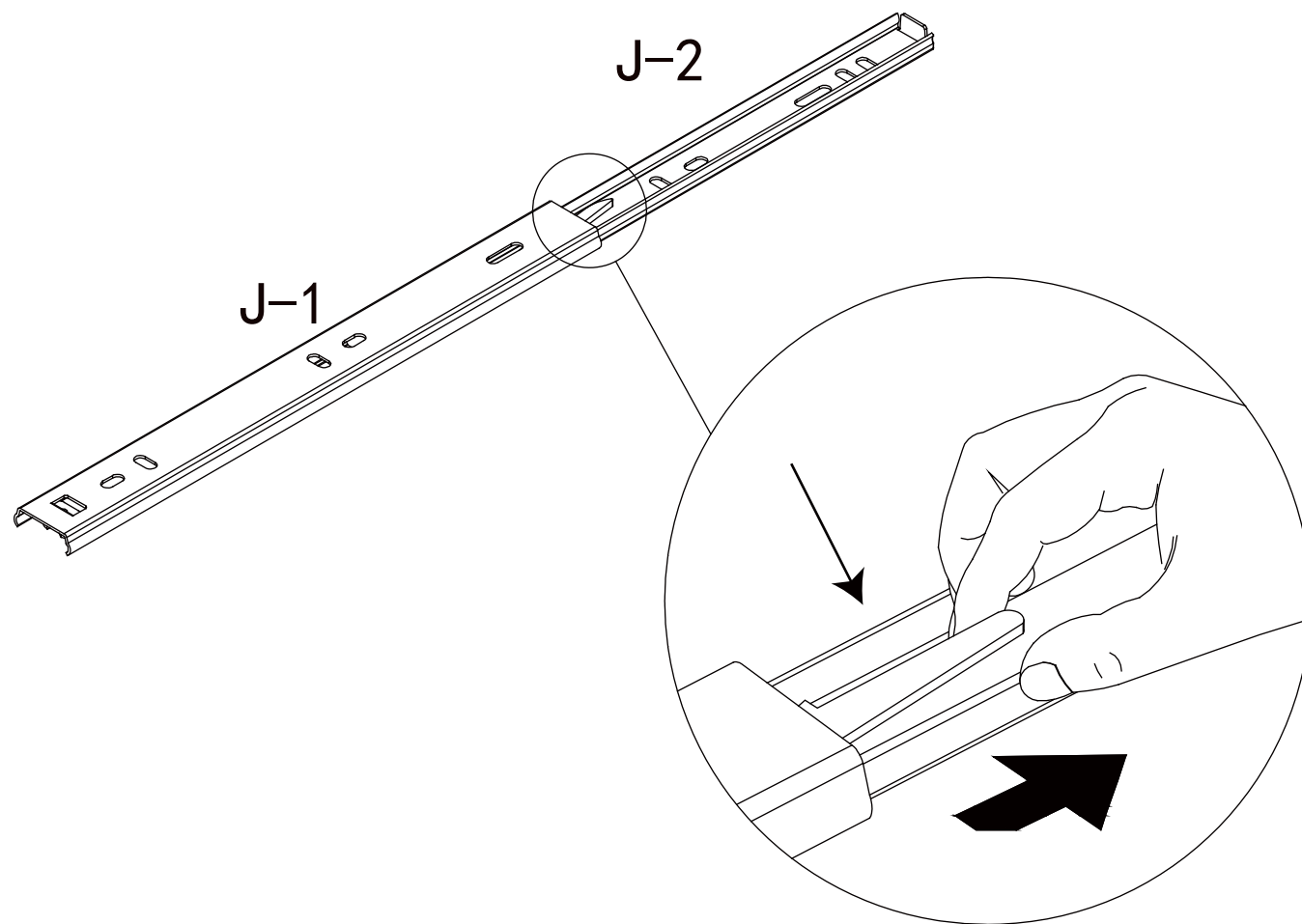
Step 27



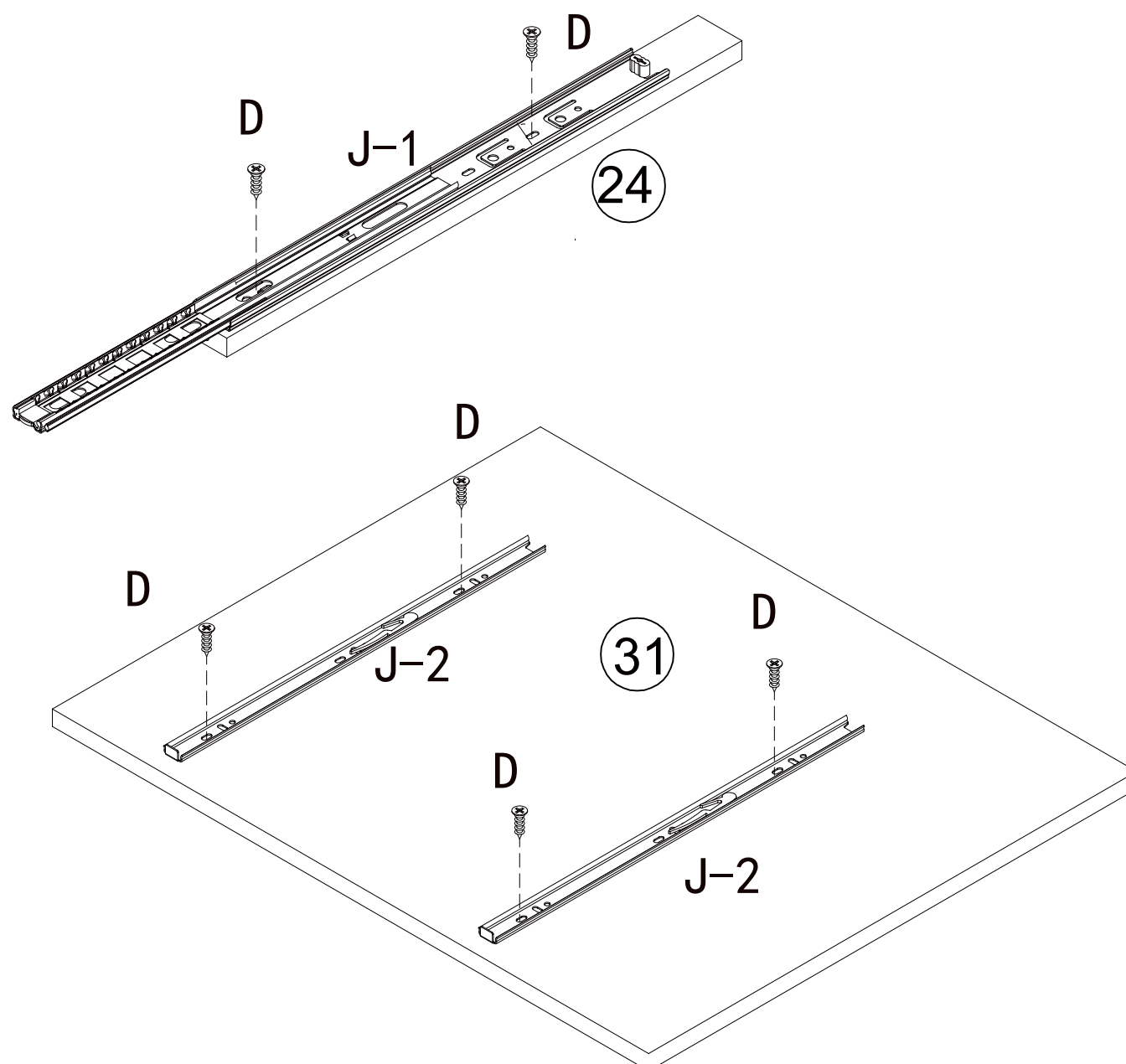
Step 28



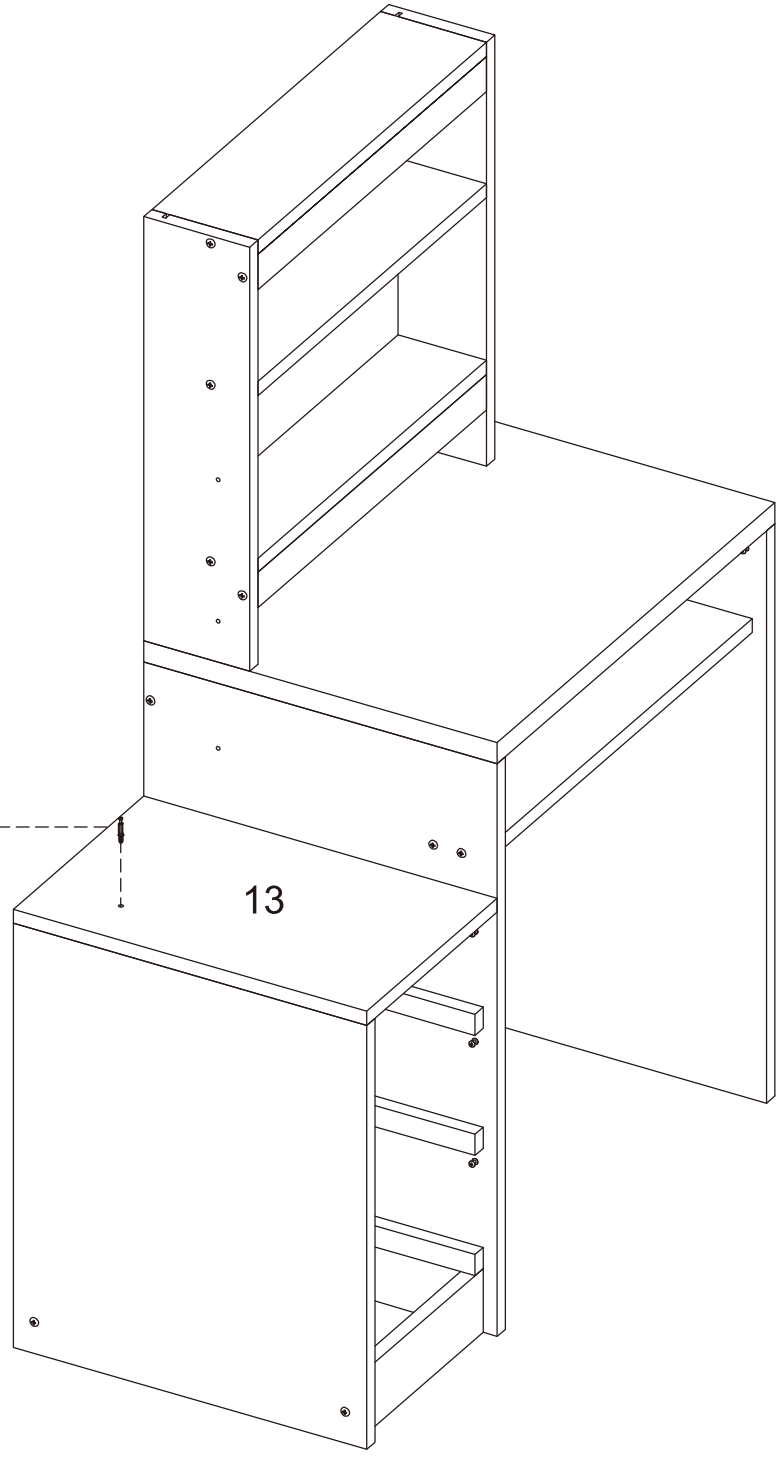
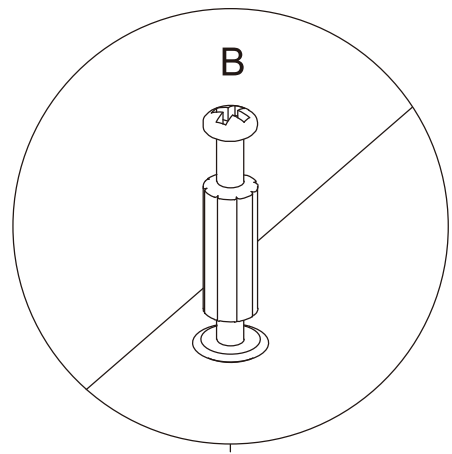
Step 29



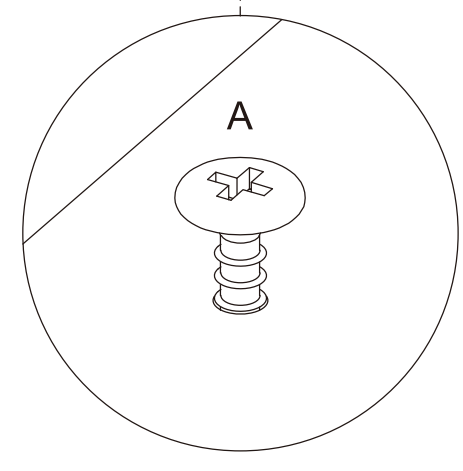
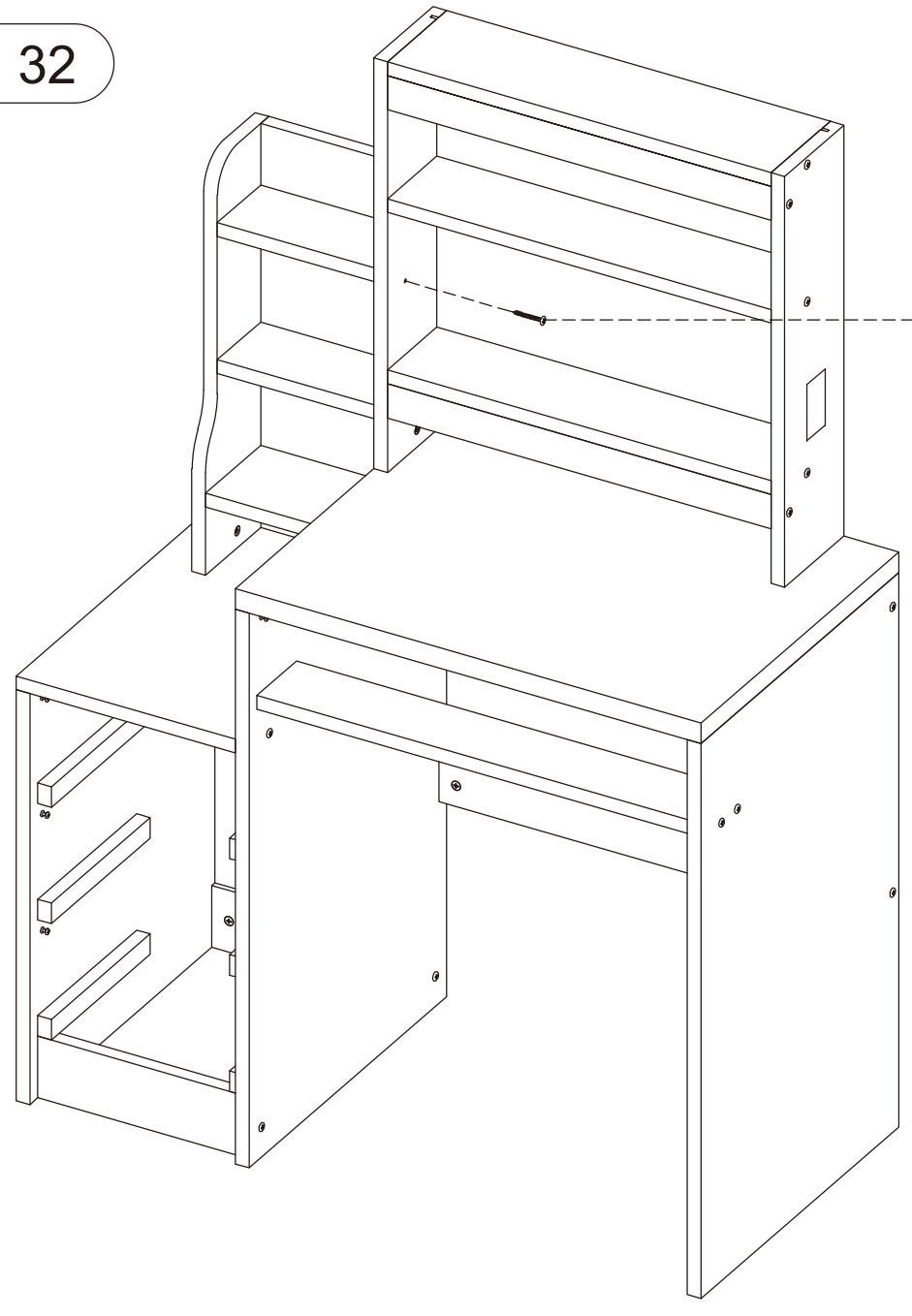
Step 30



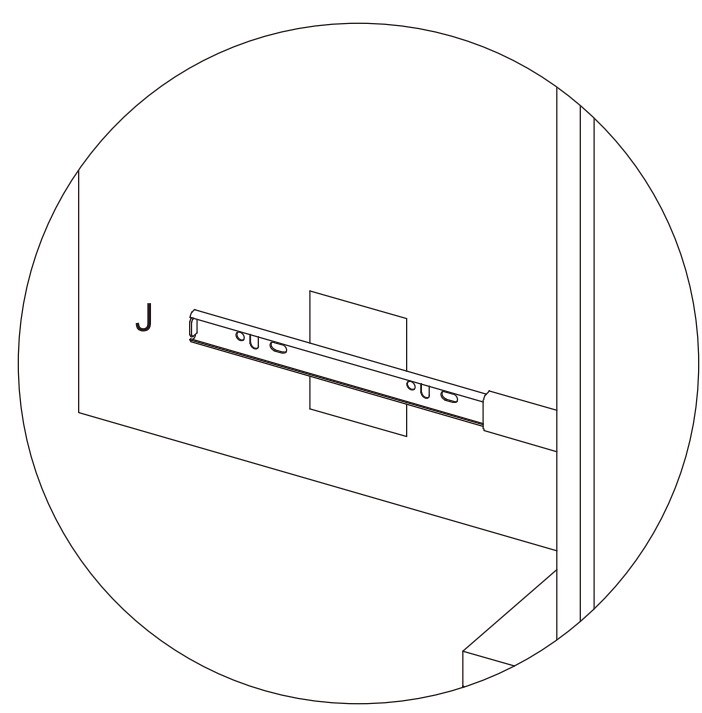
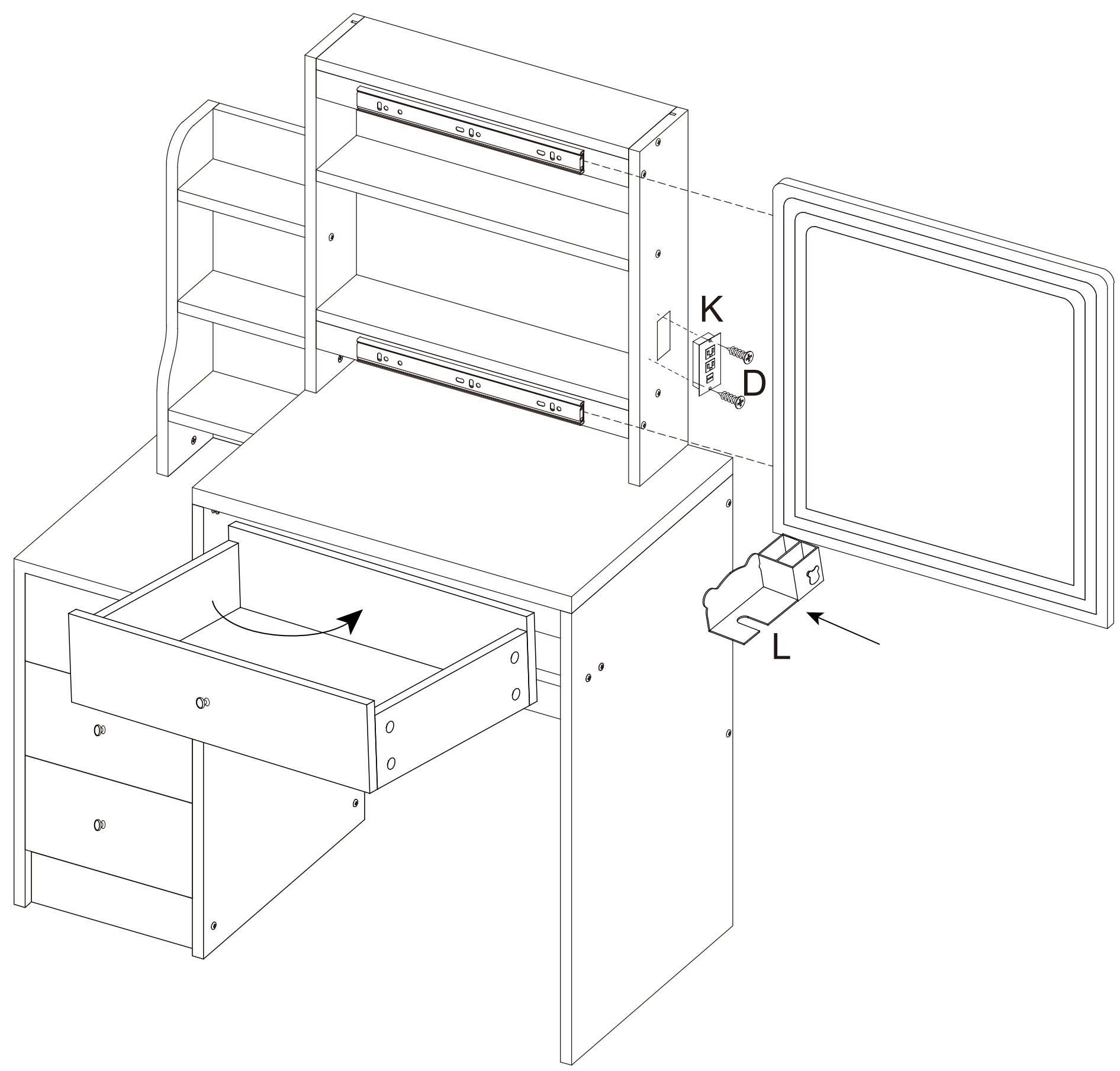
Step 31



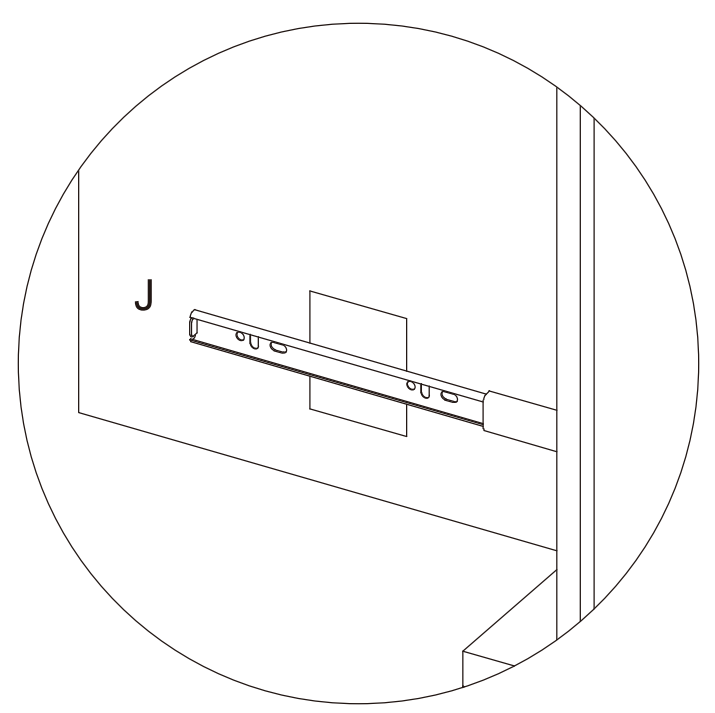
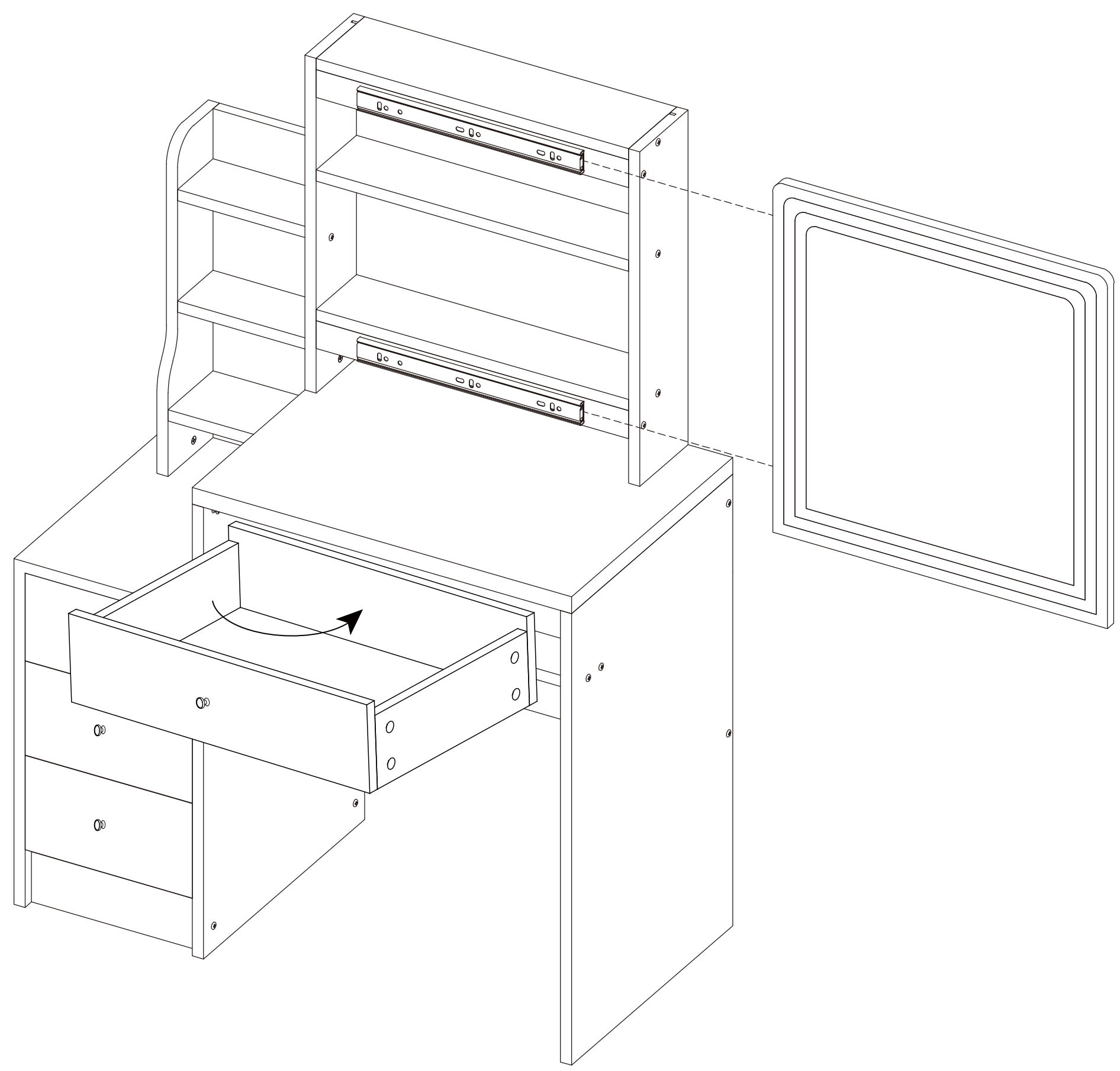
Step 32



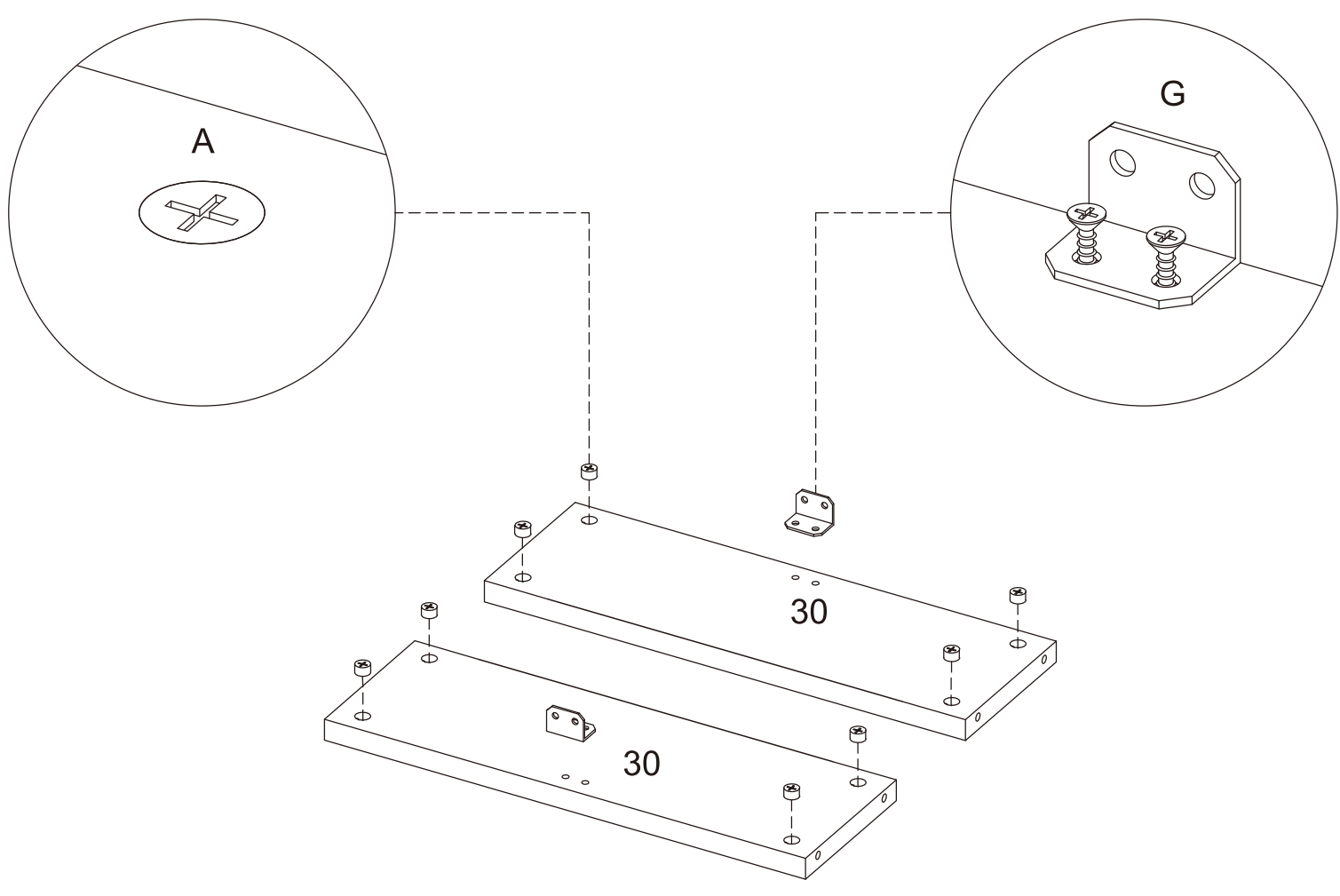
Step 33 FOR 918S-LS



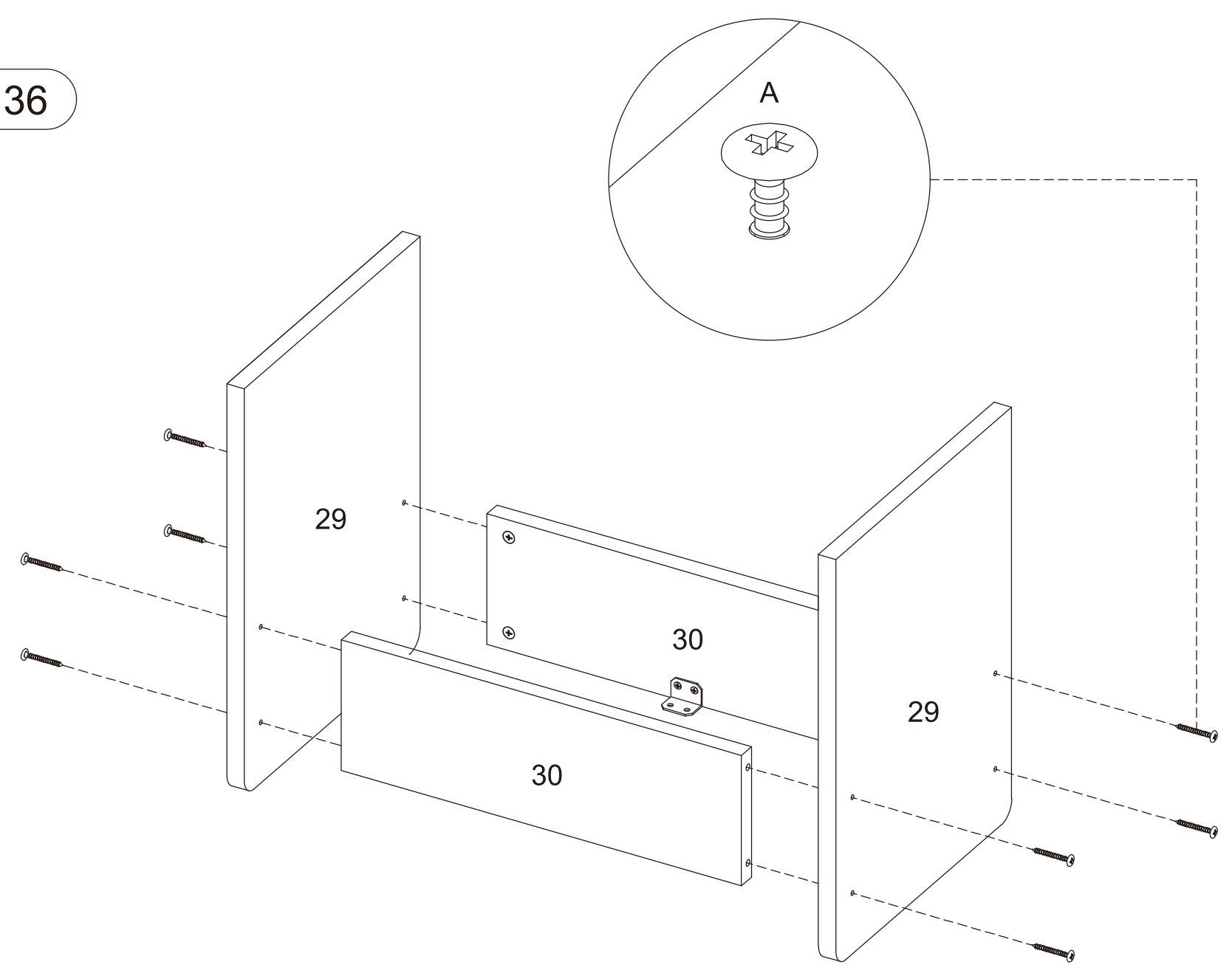
Step 34 FOR 918S AND 918S-L



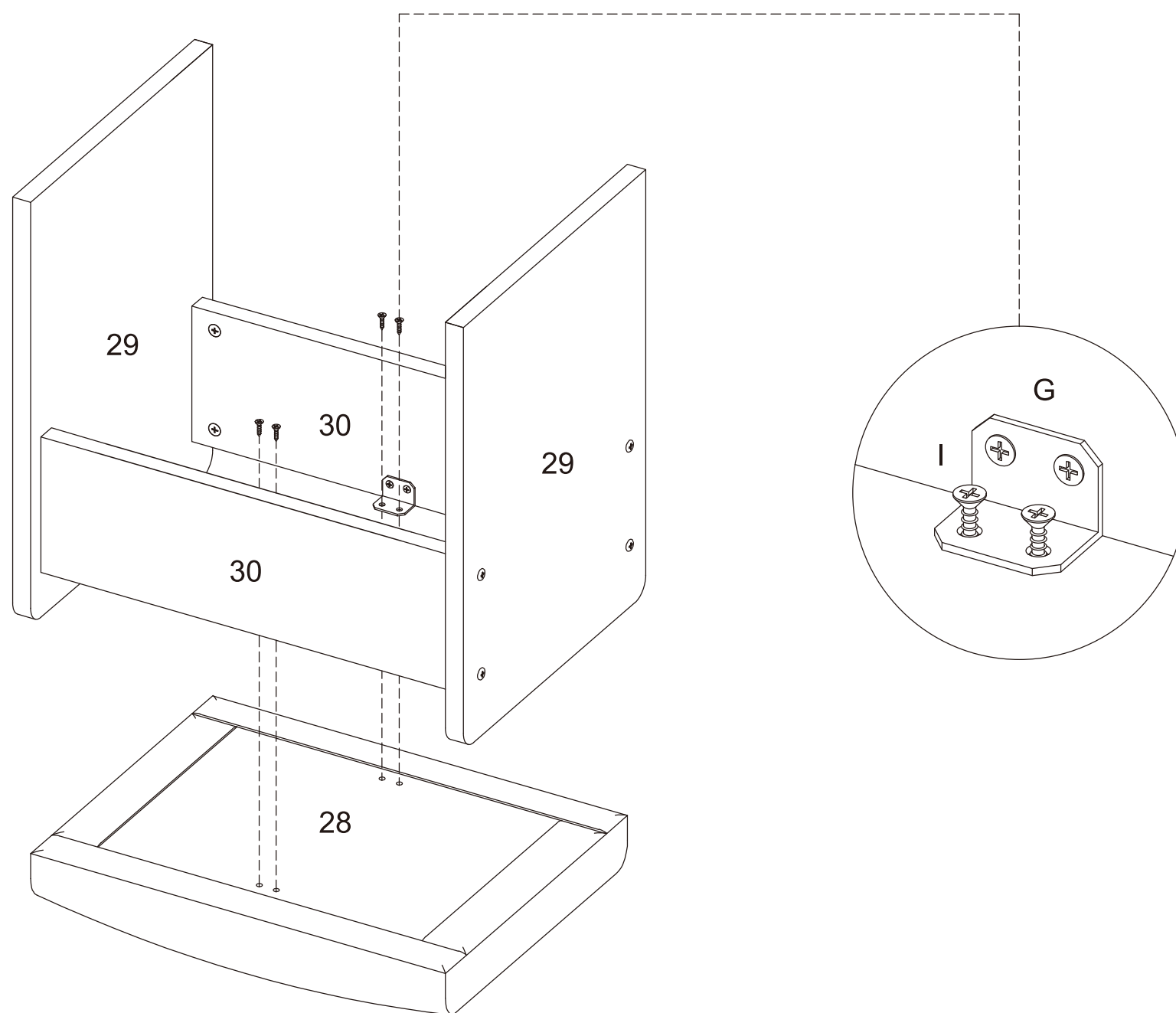
Step 35



Step 36



Step 37



Step 38

