

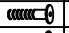
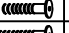



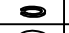


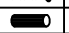


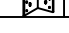

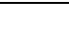
Read this instruction carefully. See hardware and furniture part list for guidance. Be sure all parts are complete, before you assemble. Place all wooden furniture parts on a clean and flat soft surface to prevent from being scratched. Follow the figure to start assembling.

- CAUTIONS :**
1. Do not FULLY - TIGHTEN the nut or nut bolt until all nut or bolt is ready assembled.
 2. Do not OVER - TIGHTEN the nut or bolt to avoid causing damages to the thread.
 3. Keep all hardware parts out of reach of children.

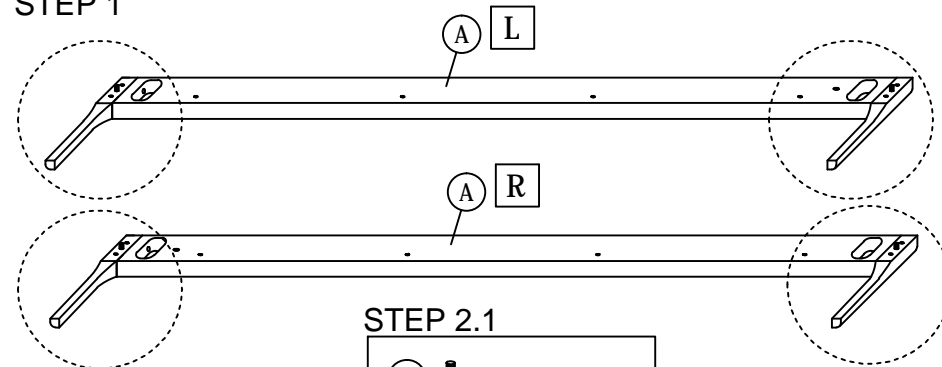
NOTE : THE LIST AND QUANTITY SHOWN ARE FOR 1 UNIT ASSEMBLY.

Tool needed : Screwdriver & RubberMallet (not provider).

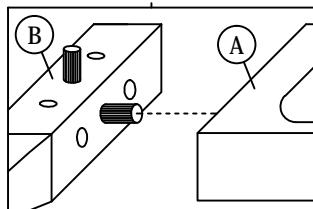
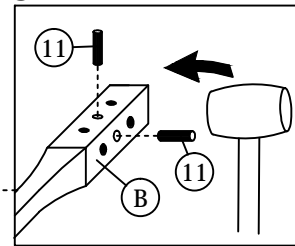
PART LIST		
ITEM	DESCRIPTION	QTY
A	SIDE RAIL	2 PCS
B	LEG	4 PCS
C	FOOTBOARD	1 PC
D	HEADBOARD	1 PC
E	SIDE RAIL SUPPORT WOOD	2 PCS
F	CENTER RAIL	2 PCS
G	CENTER RAIL LEG	6 PCS
H	BED SLAT	1 SET

HARDWARE LIST		
ITEM	DESCRIPTION	QTY
1	JCBC BOLT M6 x 20mm 	2 PCS
2	JCBC BOLT M6 x 30mm 	2 PCS
3	JCBC BOLT M6 x 45mm 	8 PCS
4	JCBB BOLT M8 x 50mm 	16 PCS
5	M6 SPRING WASHER 	4 PCS
6	M6 FLAT WASHER 	4 PCS
7	M8 SPRING WASHER 	16 PCS
8	M8 FLAT WASHER 	16 PCS
9	WOOD SCREW M4 x 25mm 	8 PCS
10	WOOD SCREW M4 x 38mm 	12 PCS
11	WOOD DOWEL M10 x 30mm 	8 PCS
12	M4 ALLEN KEY (BALL SHAPE) 	1 PC
13	M5 ALLEN KEY (BALL SHAPE) 	1 PC
14	VMB 3062 L BRACKET 	2 PCS

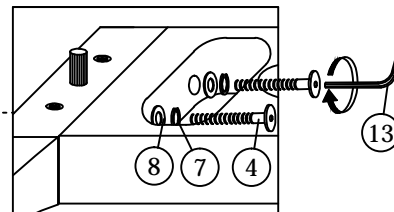
STEP 1



STEP 2.1

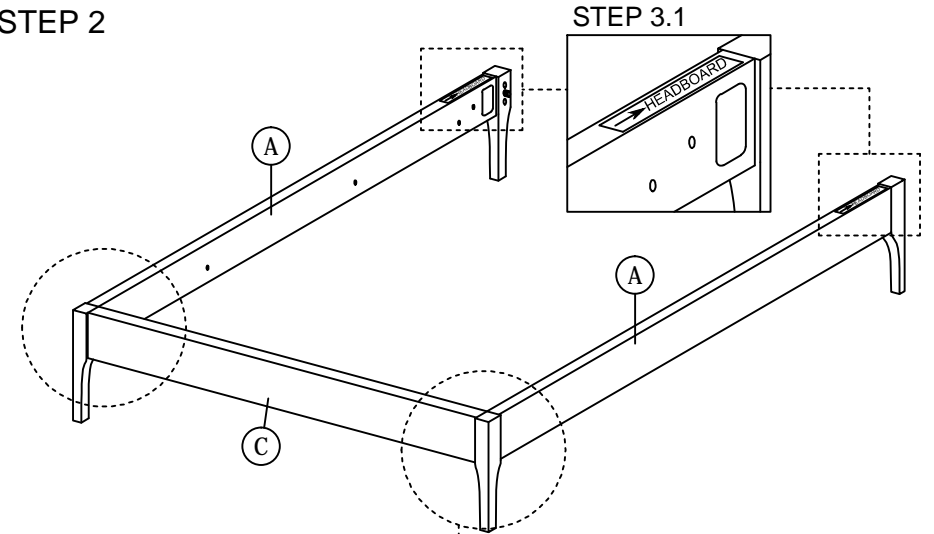


STEP 2.2



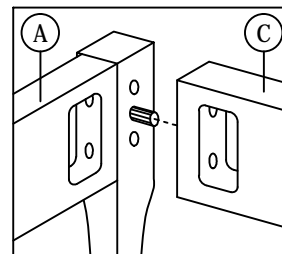
STEP 2.3

STEP 2

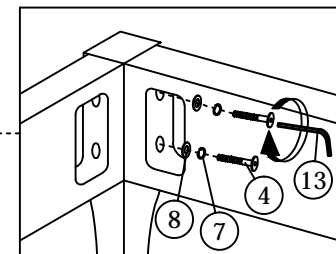


STEP 3.1

STEP 3.2



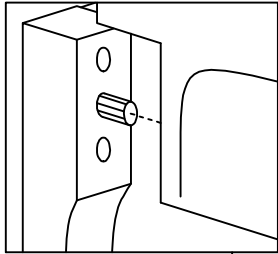
STEP 3.3



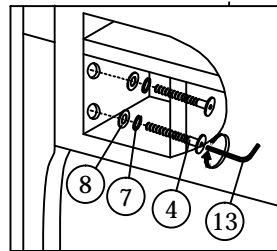
ASSEMBLY INSTRUCTIONS

STEP 3

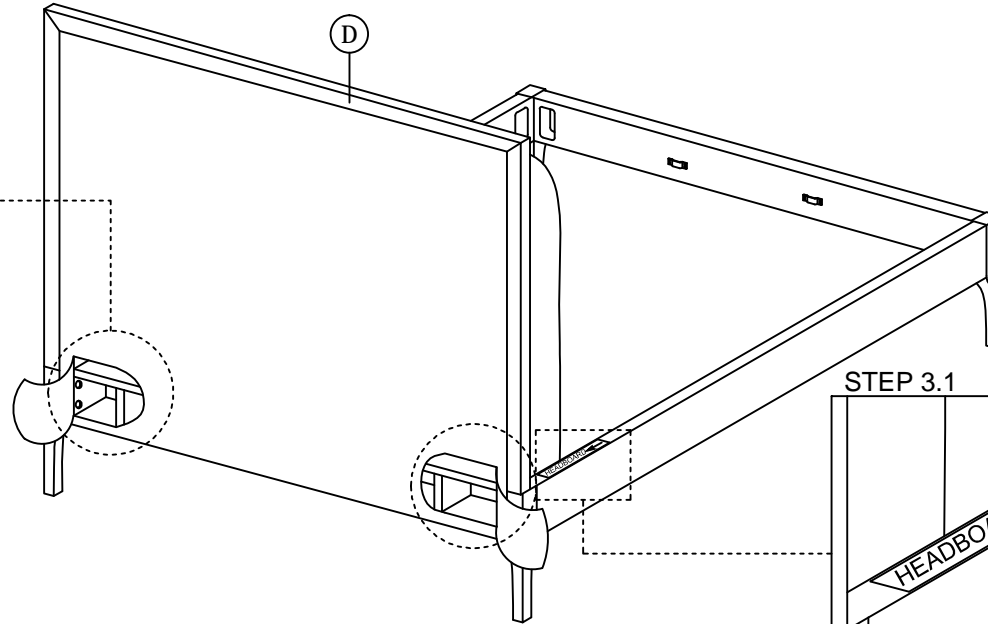
STEP 3.2



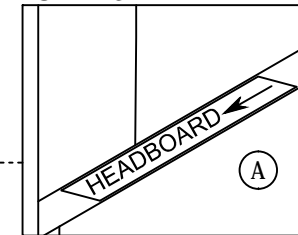
STEP 3.3



Don't screw tied

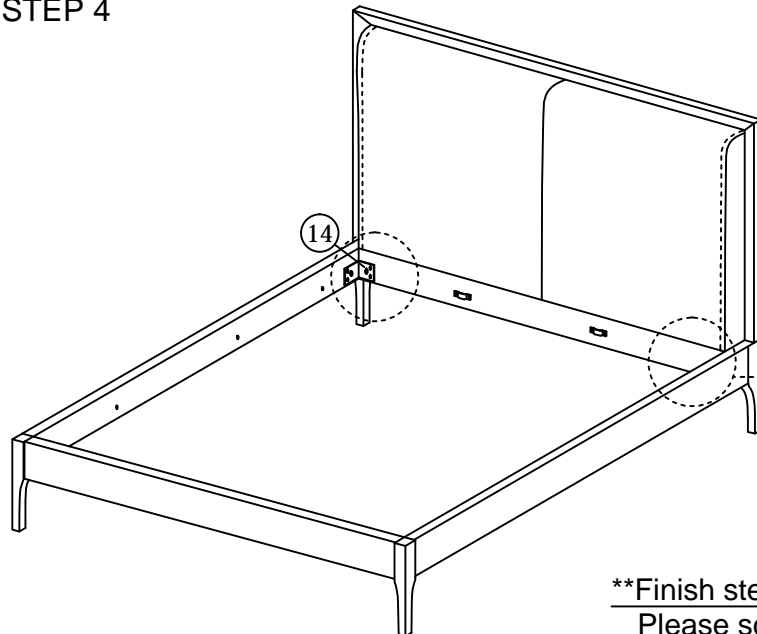


STEP 3.1

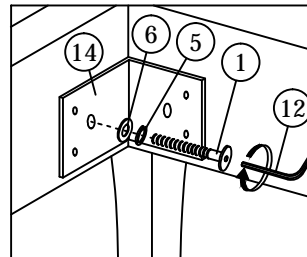


Note: Make sure the sticker "-> HEADBOARD" faced to headboard [D]

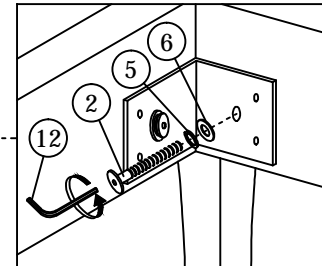
STEP 4



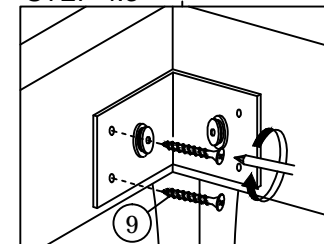
STEP 4.1



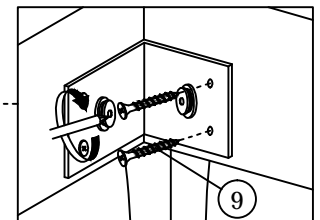
STEP 4.2



STEP 4.3



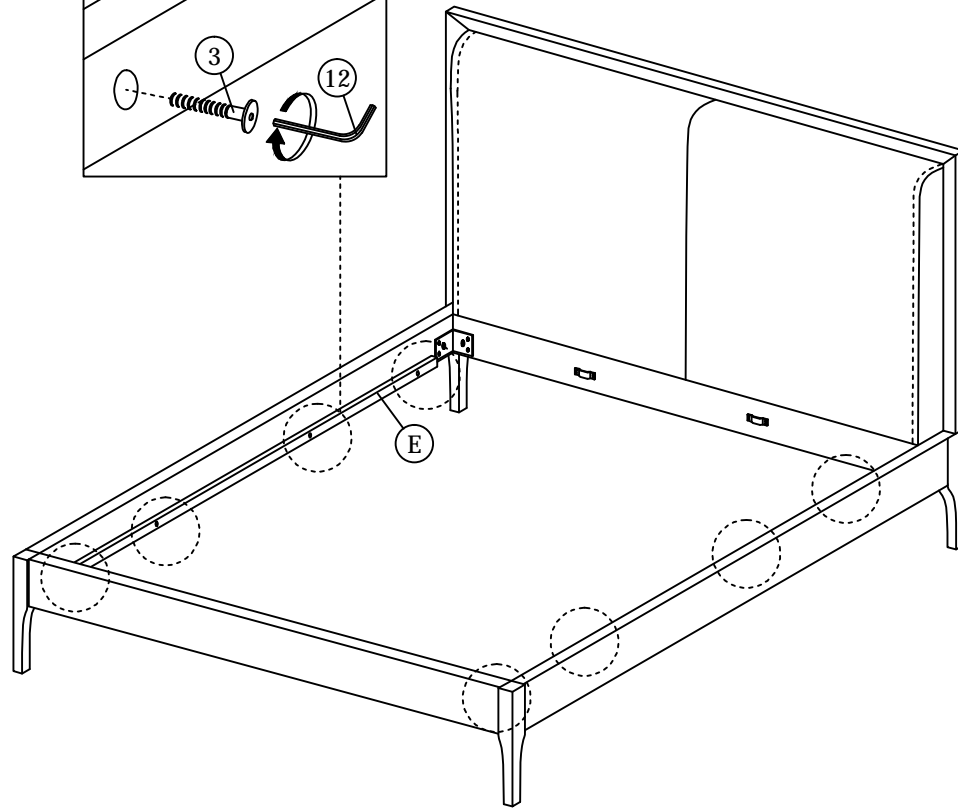
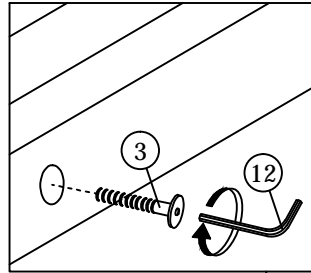
STEP 4.4



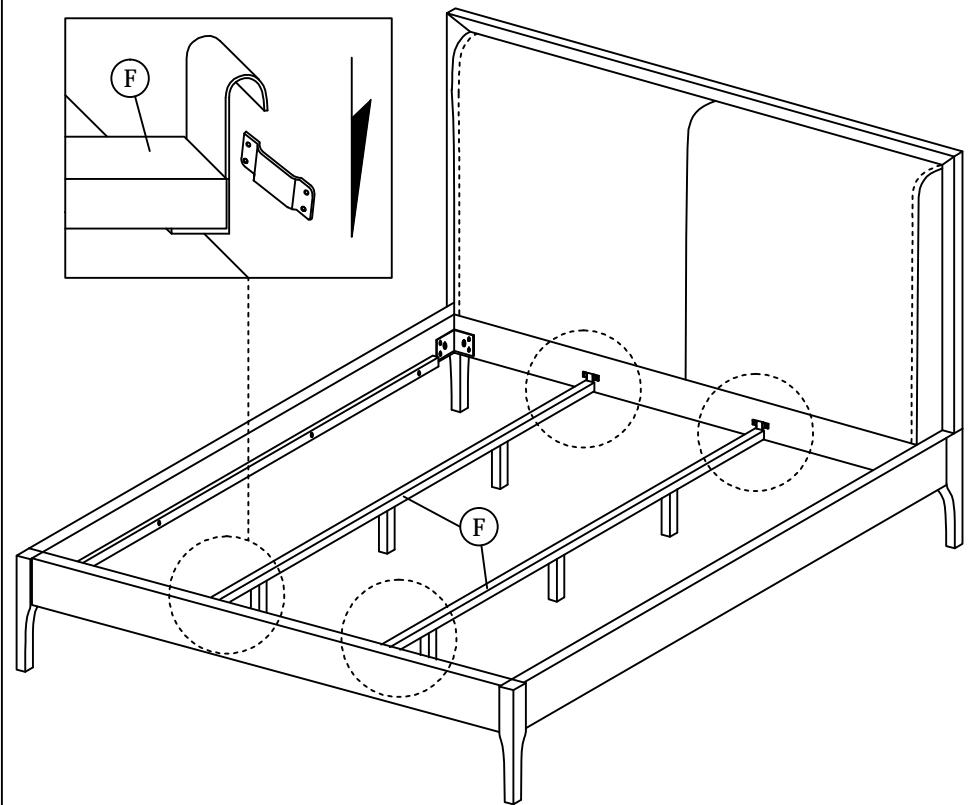
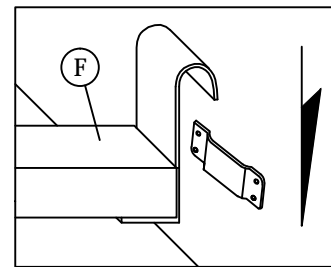
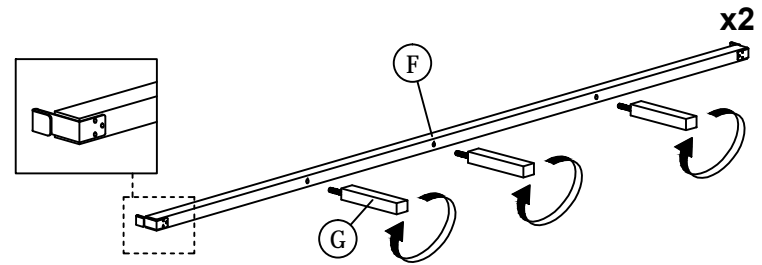
**Finish step 4,
Please screw tied the step 3 bolt.

ASSEMBLY INSTRUCTIONS

STEP 5

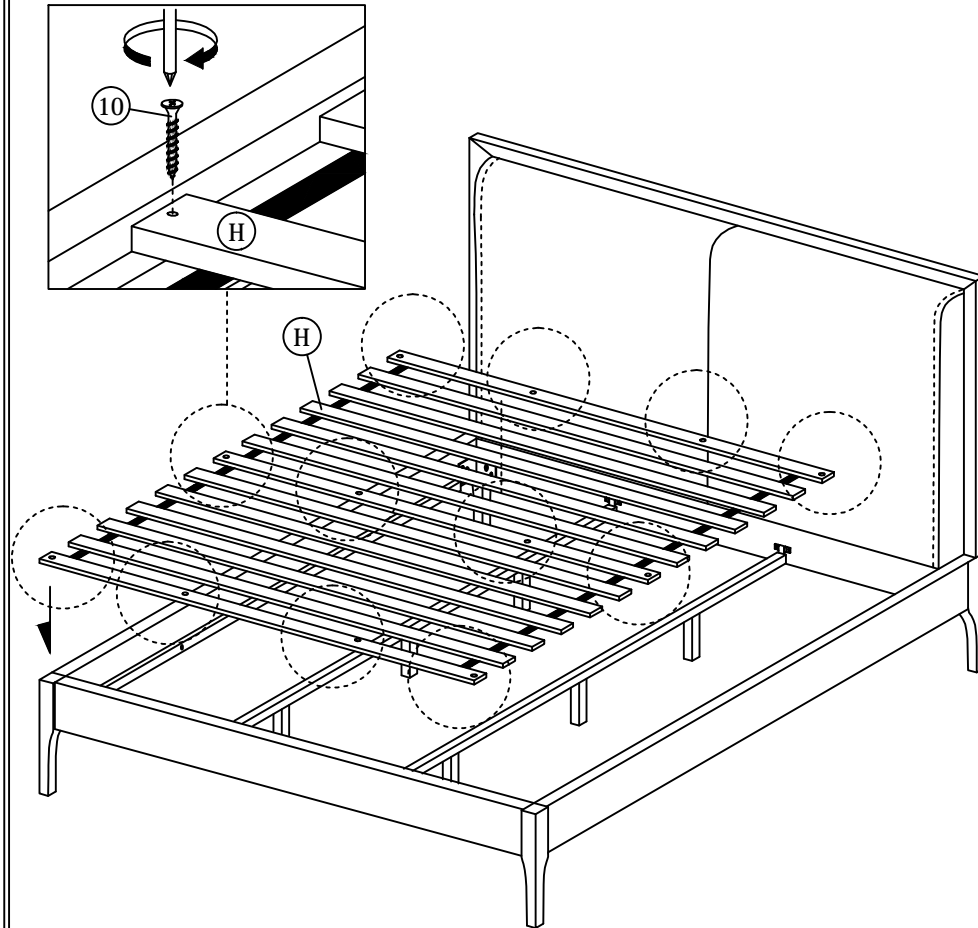


STEP 6

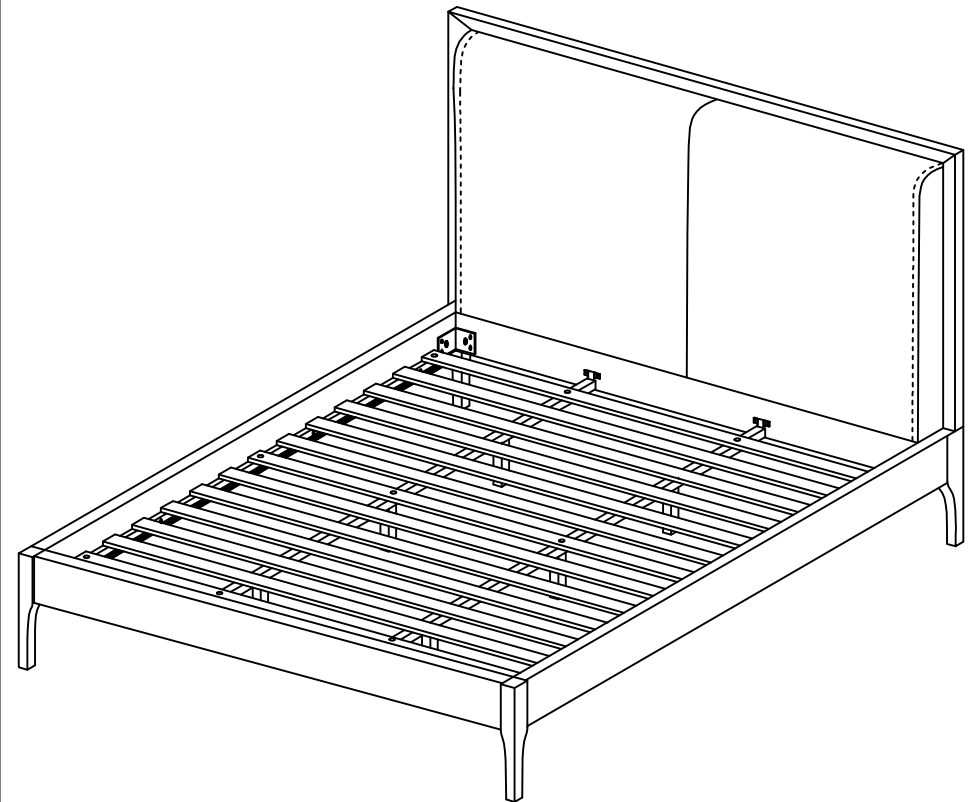


ASSEMBLY INSTRUCTIONS

STEP 7



STEP 8



* When moving the bed position, the center support legs must be adjust to be straight to avoid any broken problem.