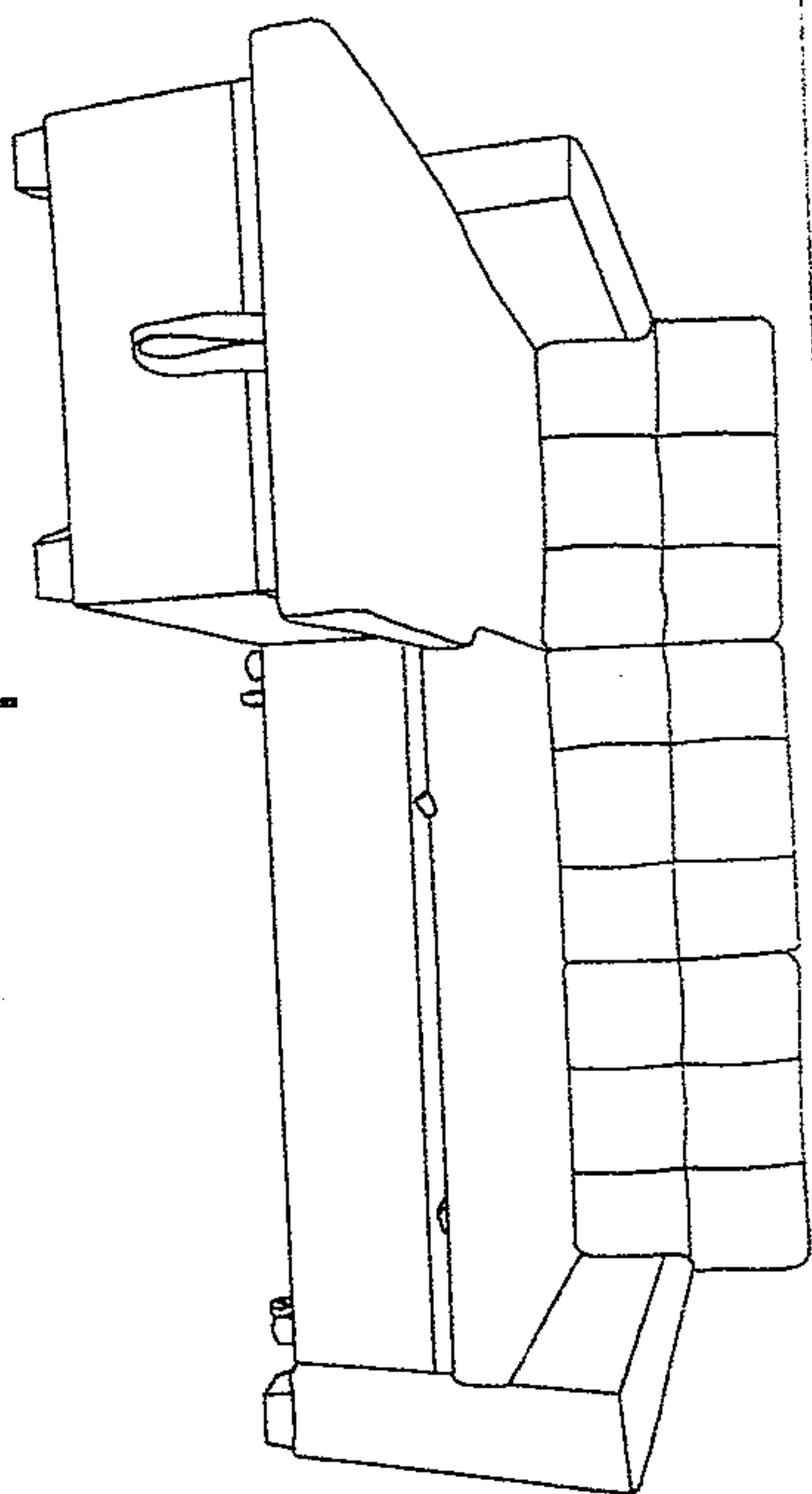


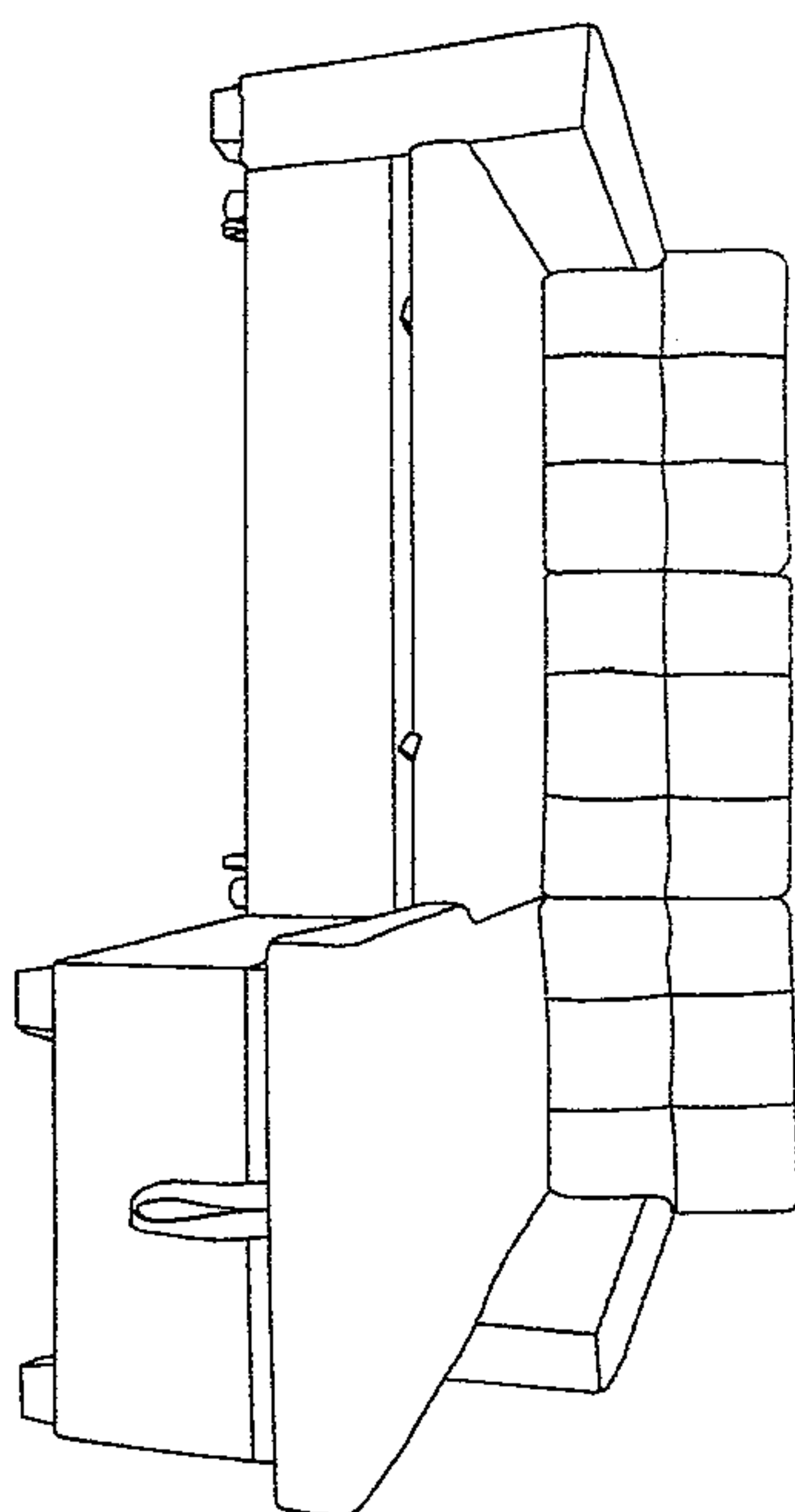
ASSEMBLY INSTRUCTION

~~5111~~

5111φ

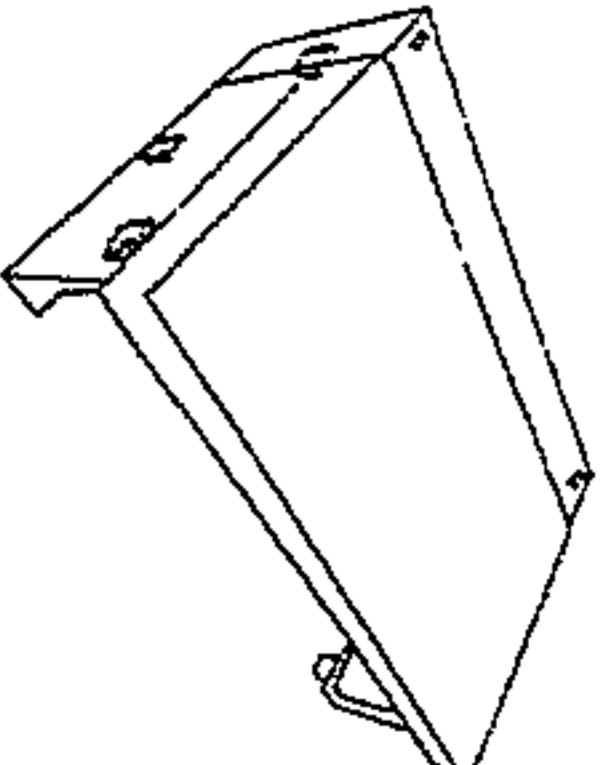
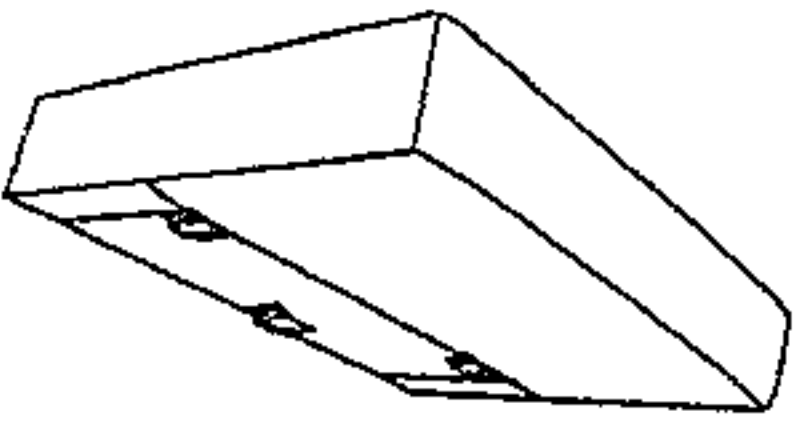
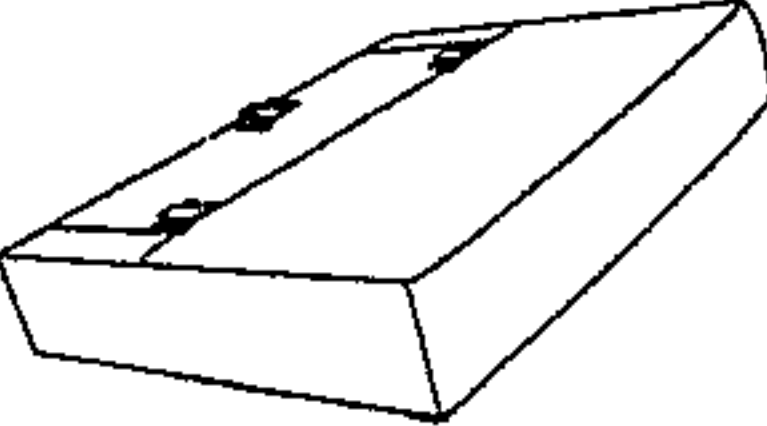
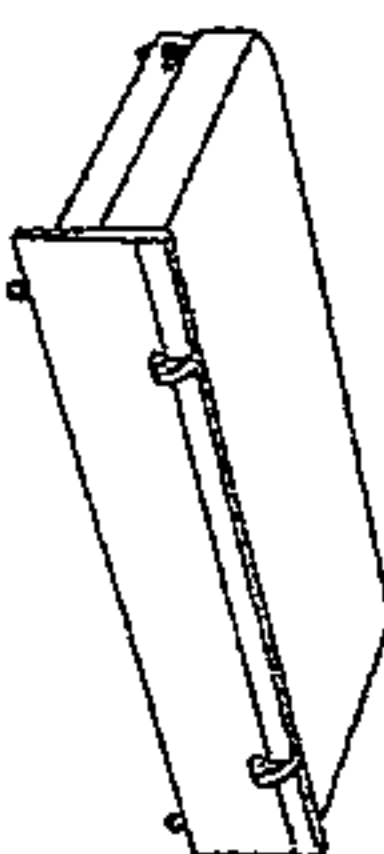
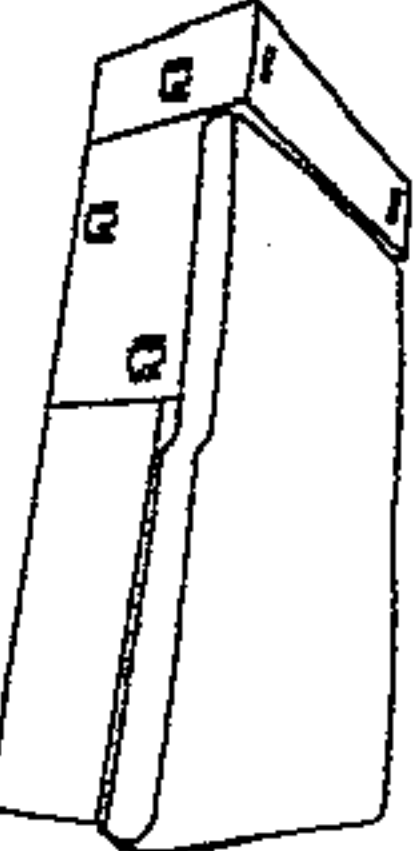
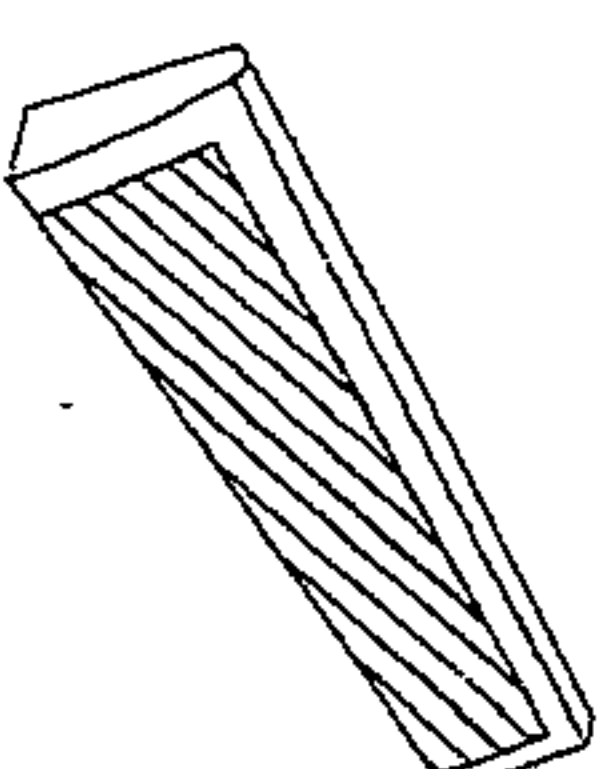
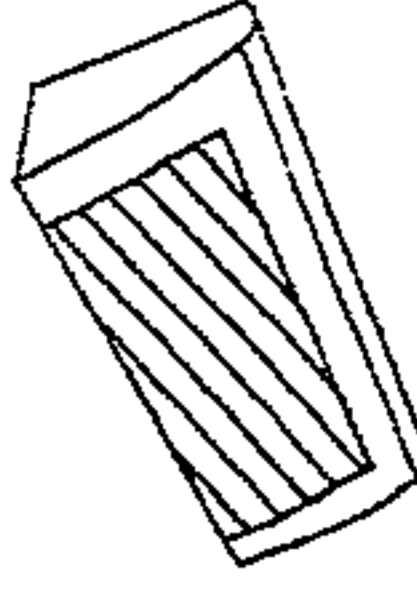
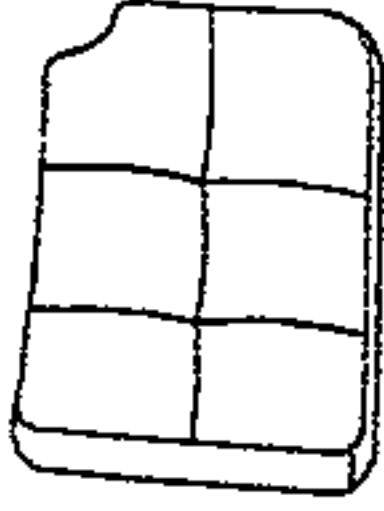
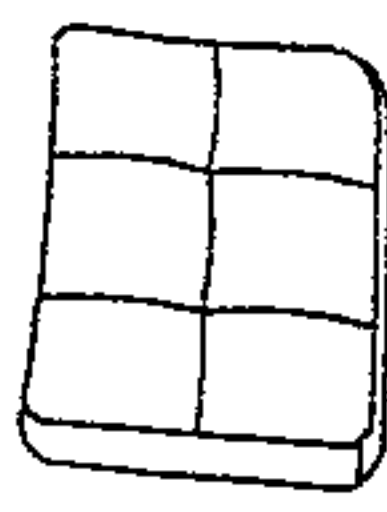
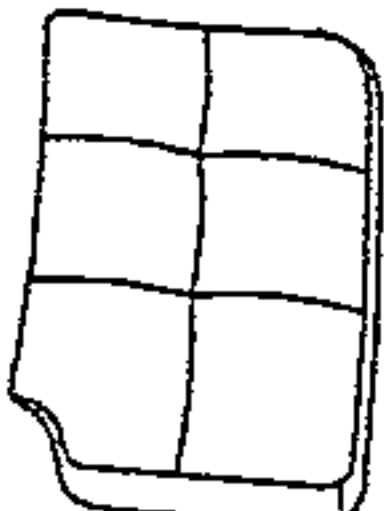


-L

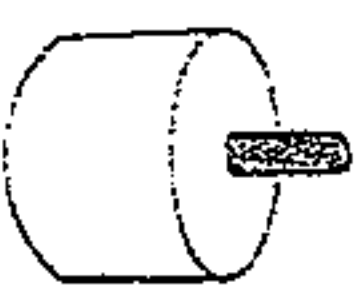
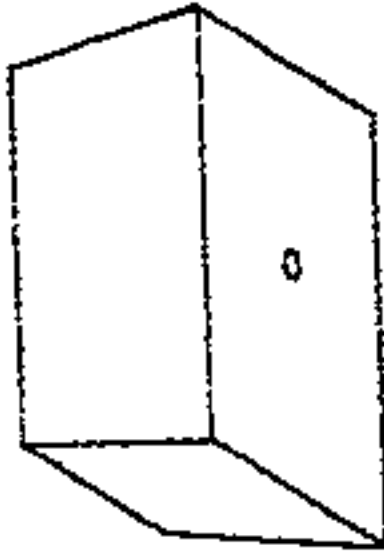
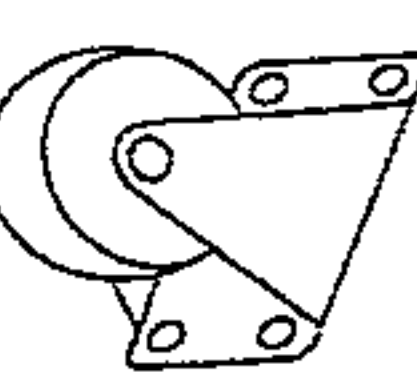

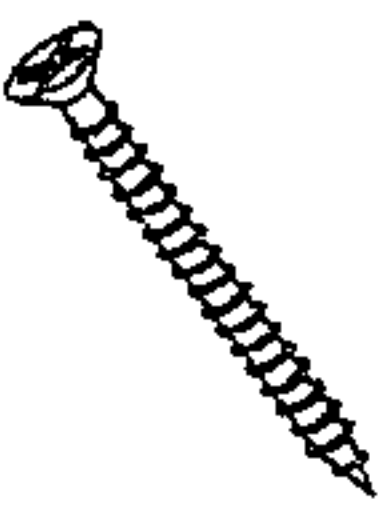
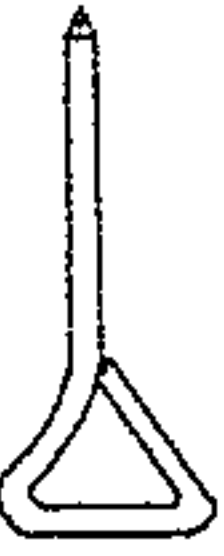
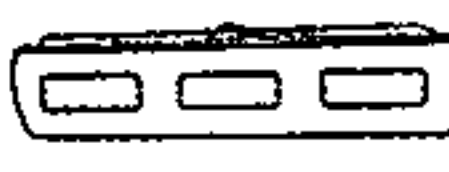



-R

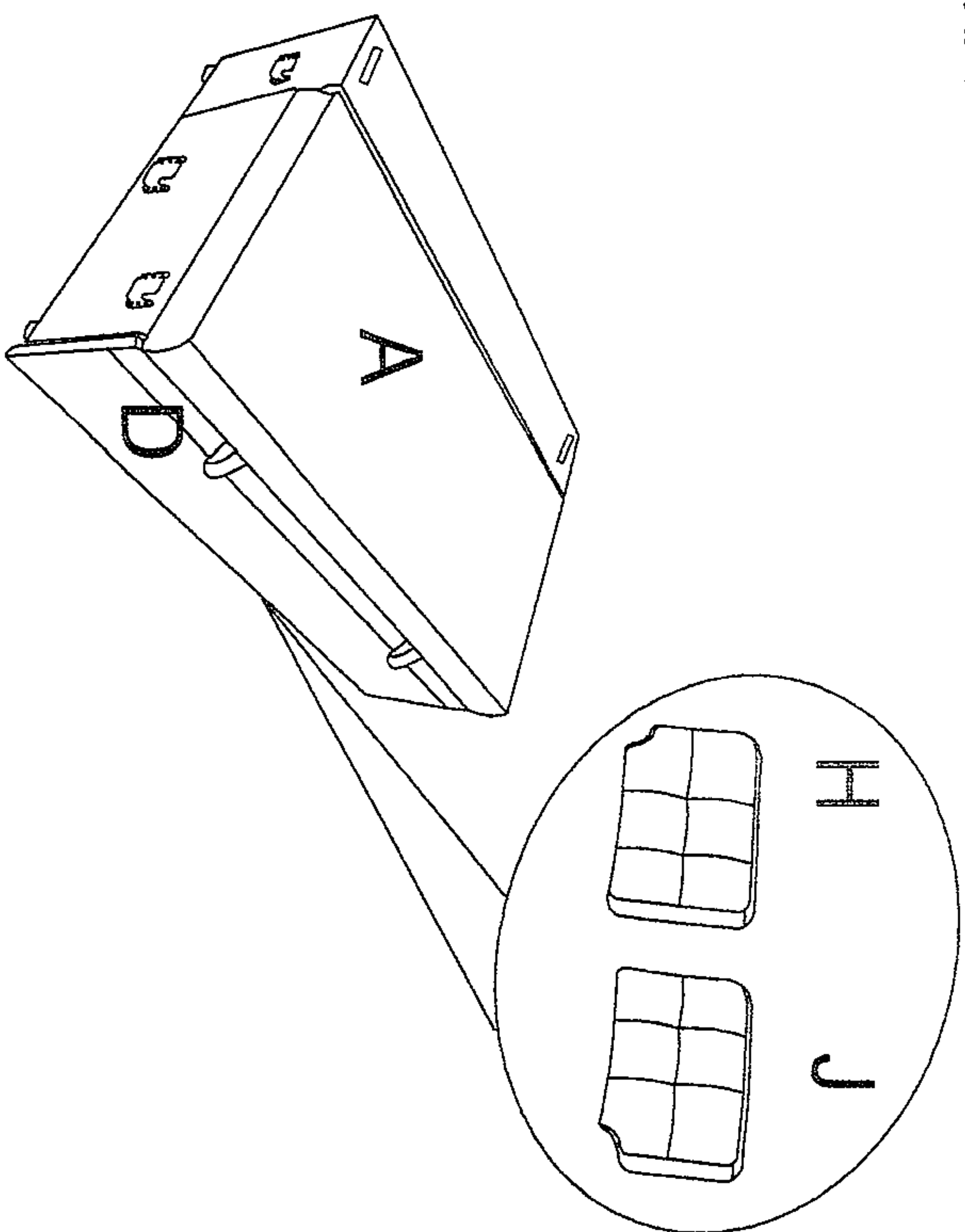
PARTS LIST

<p>A</p>  <p>X1</p>	<p>B</p>  <p>X1</p>	<p>C</p>  <p>X1</p>	<p>D</p>  <p>X1</p>	<p>E</p>  <p>X1</p>	<p>F</p>  <p>X1</p>
<p>G</p>  <p>X1</p>	<p>H</p>  <p>X1</p>	<p>I</p>  <p>X1</p>	<p>J</p>  <p>X1</p>		

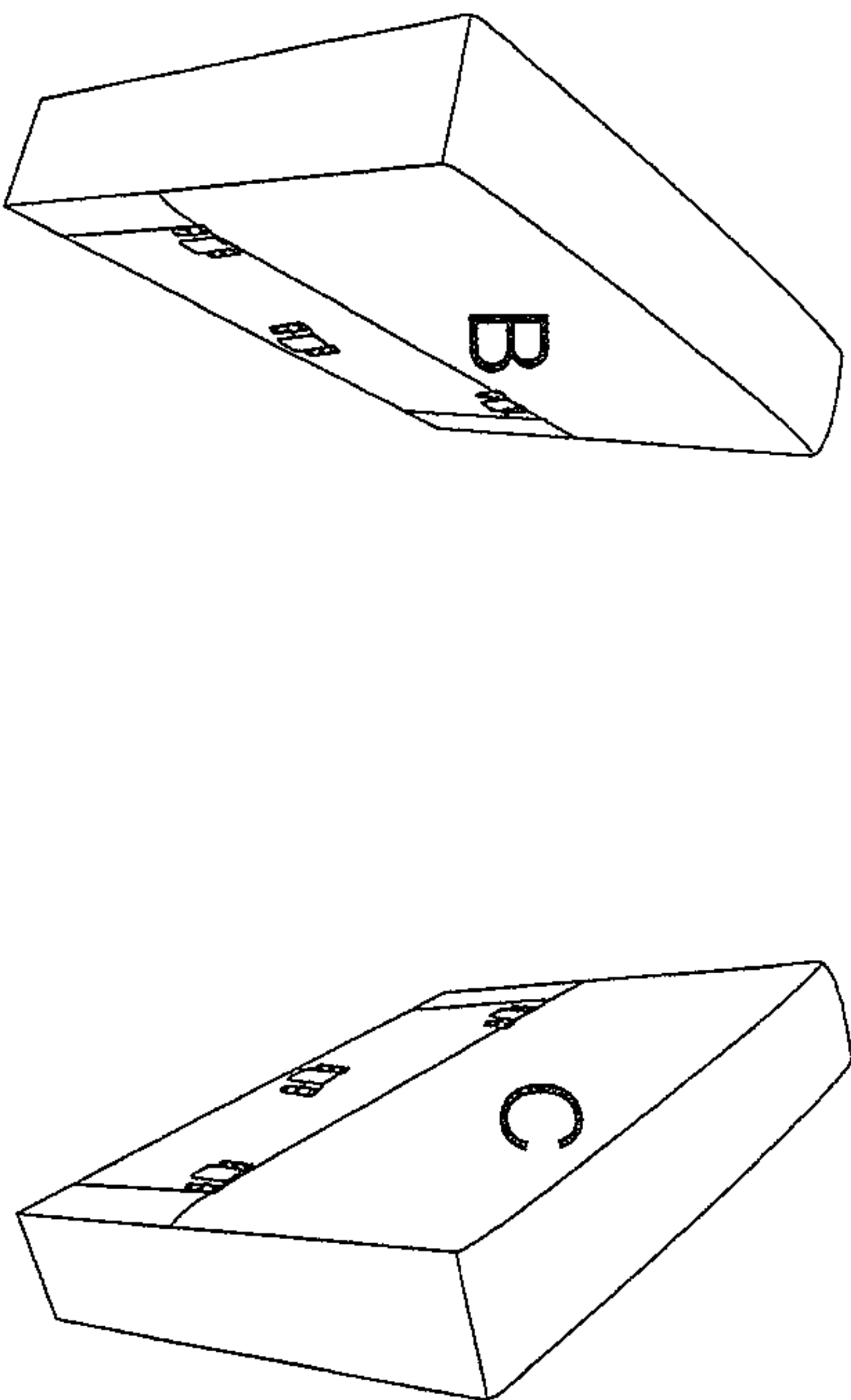
HARDWARE LIST

<p>1</p>  <p>Ø4.5*50mm X6</p>	<p>2</p>  <p>X6</p>	<p>3</p>  <p>50mmH X2</p>	<p>4</p>  <p>X6</p>	<p>5</p>  <p>X8</p>	<p>6</p>  <p>X1</p>	<p>7</p>  <p>X4</p>	<p>8</p>  <p>X6</p>	
---	---	---	---	---	---	---	---	--

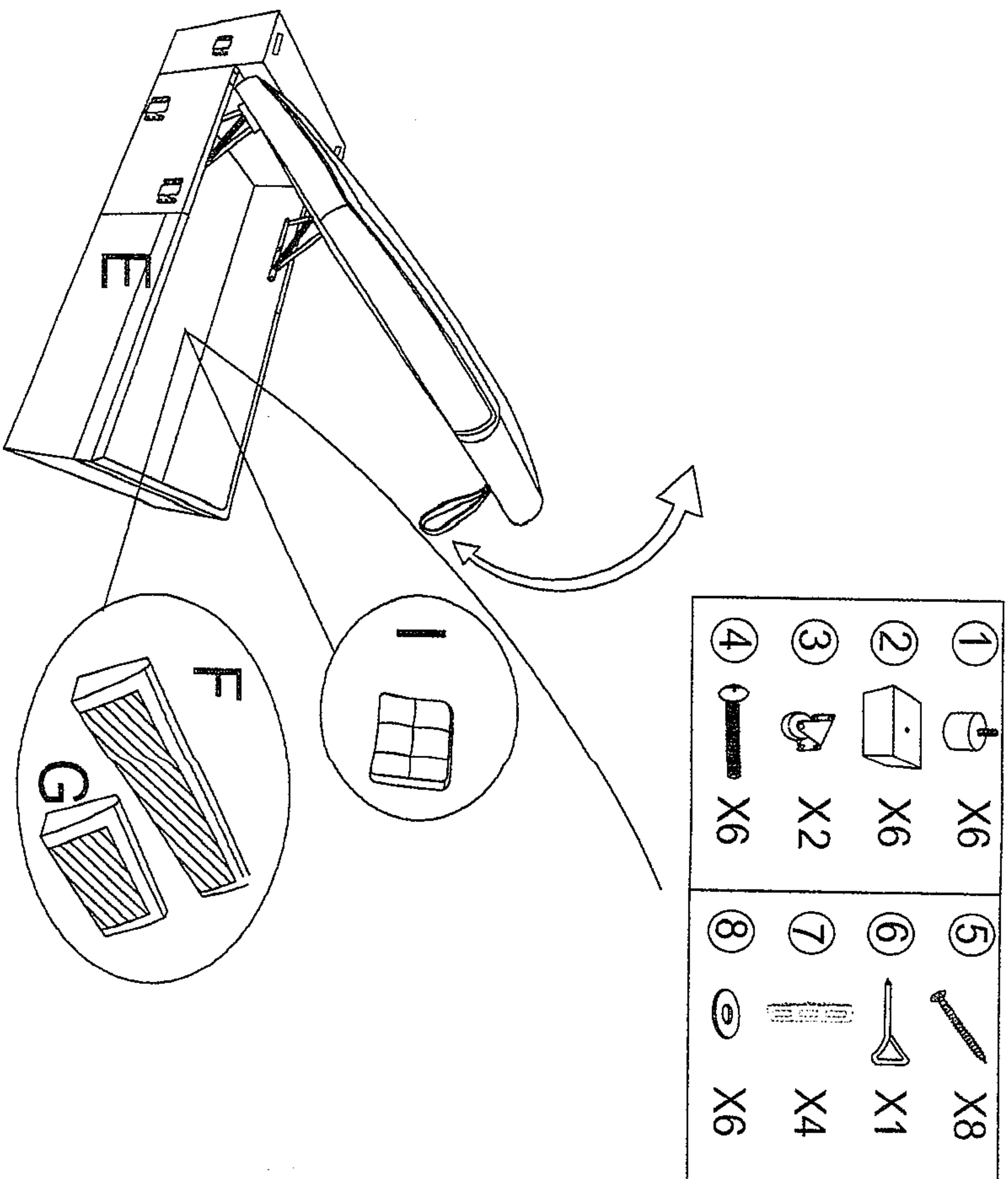
BOX -S HARDWARE LIST



BOX -A HARDWARE LIST



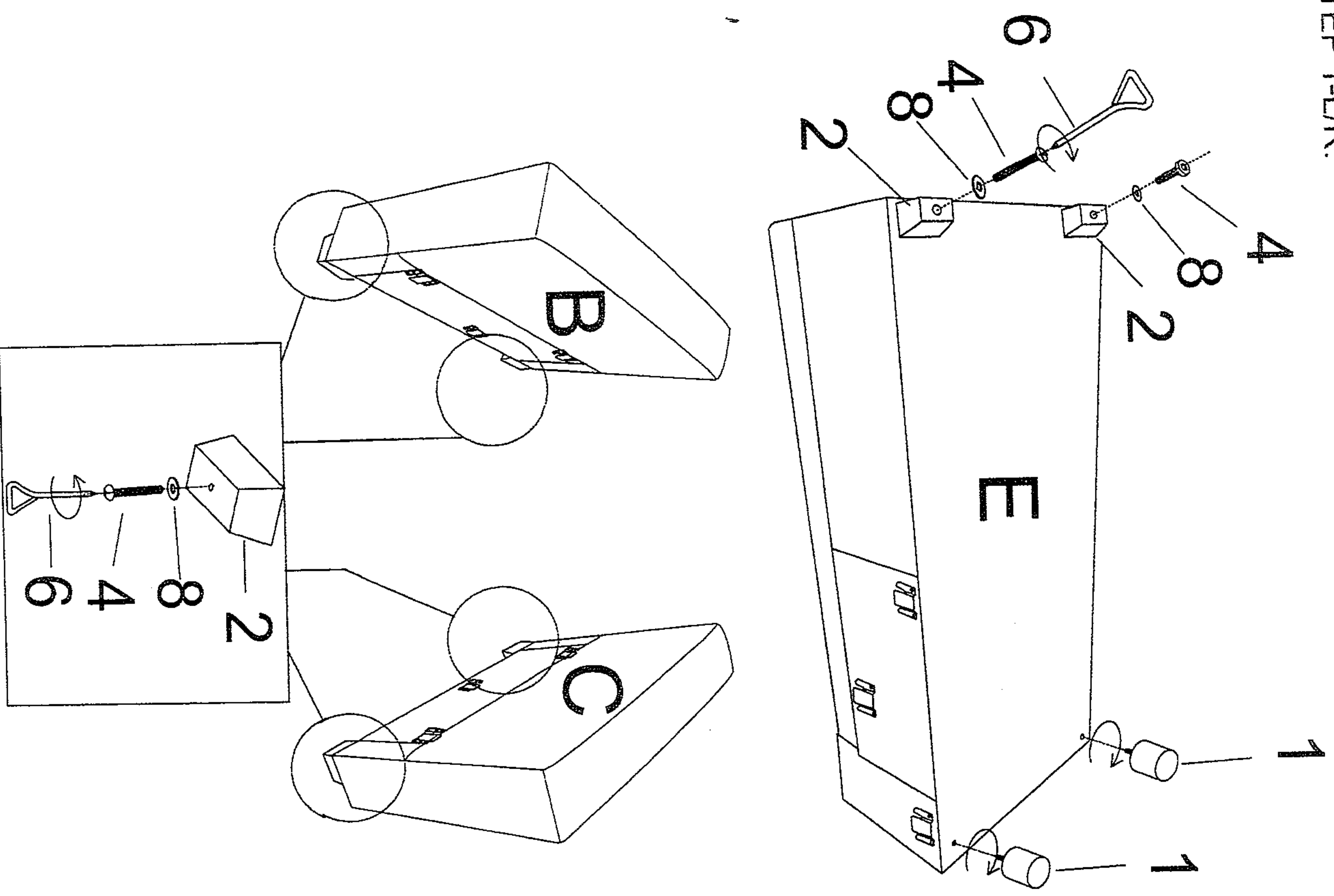
BOX -C HARDWARE LIST



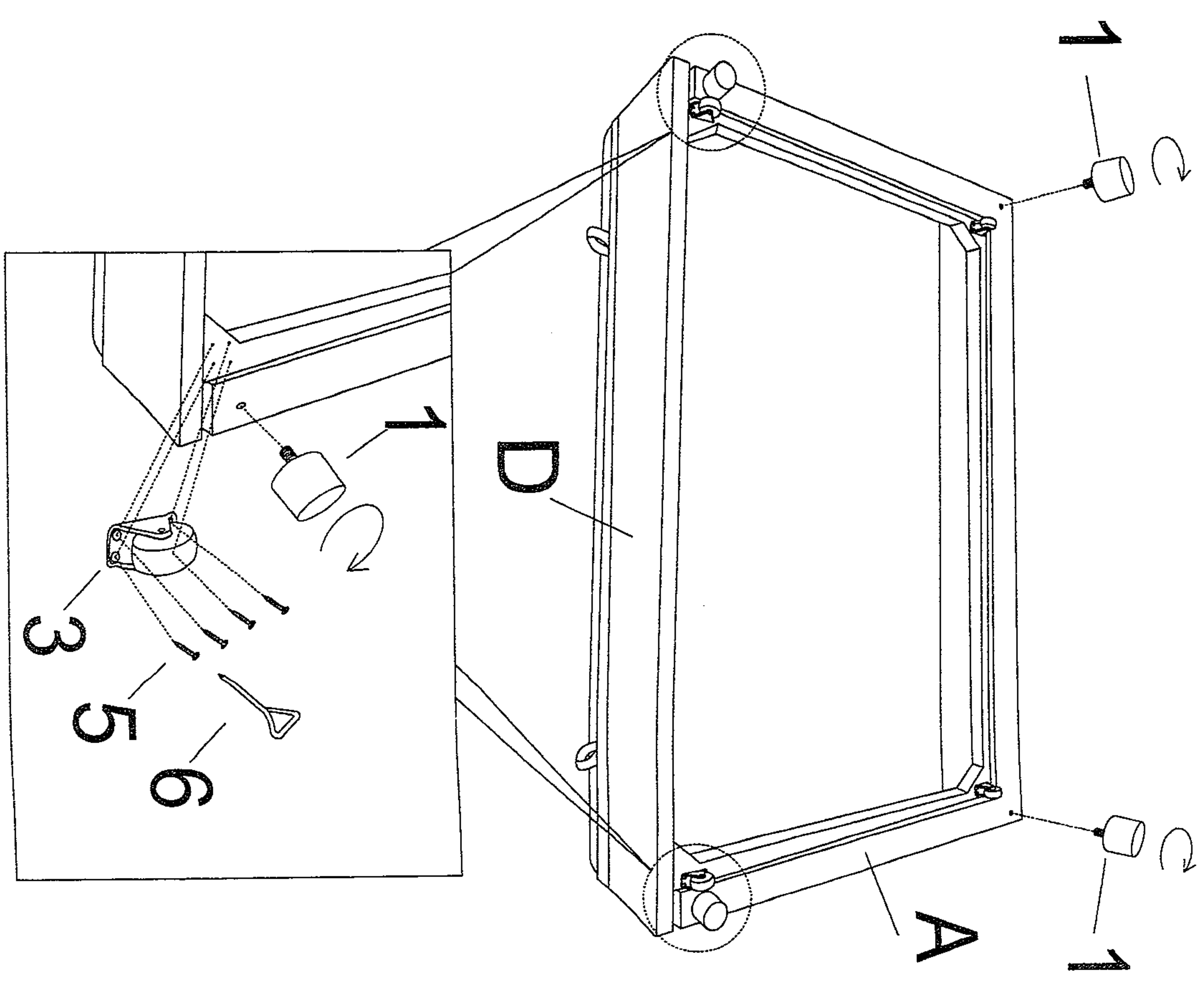
Unpacking steps:

1. BOX-C
2. BOX-S
3. BOX-A

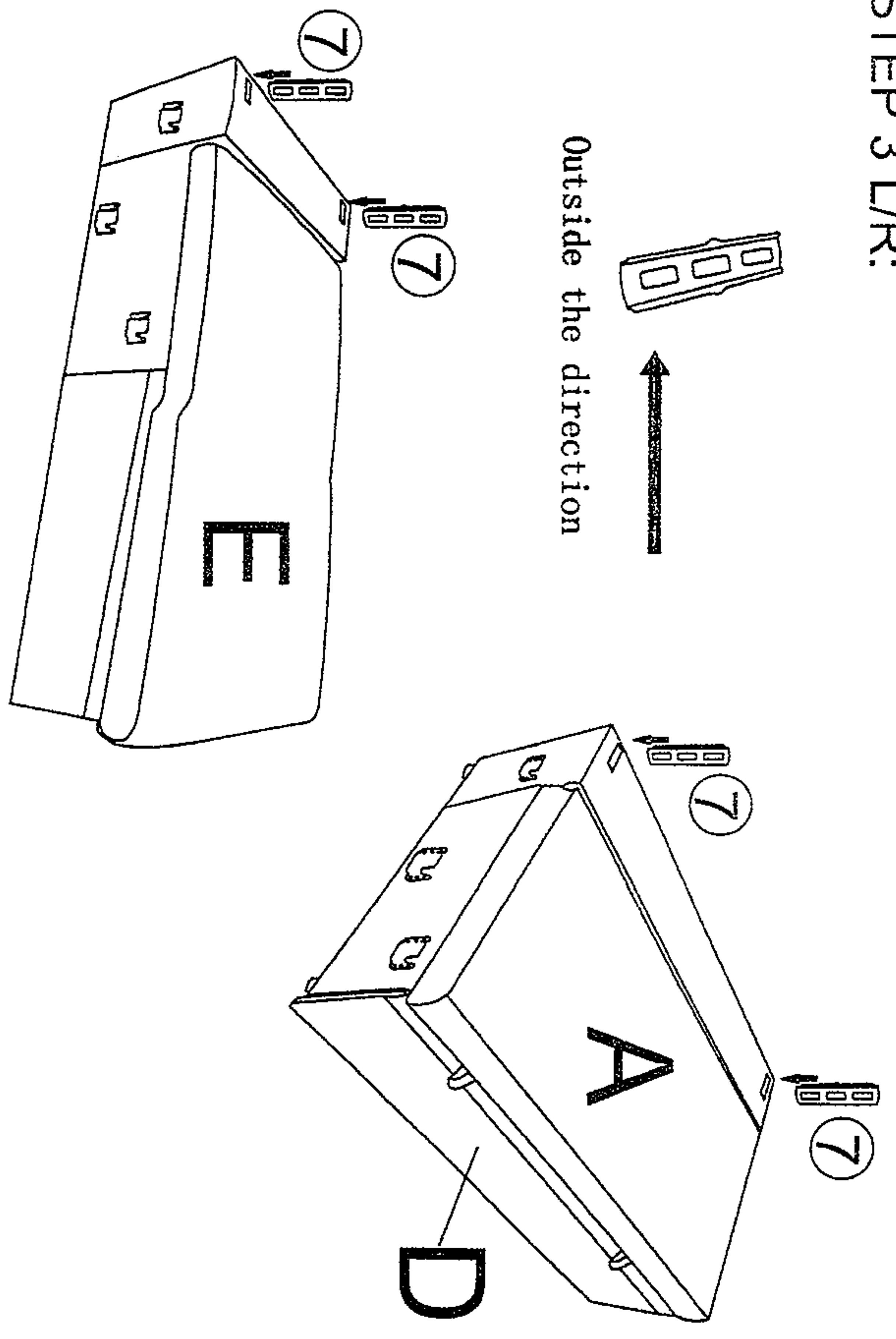
STEP 1-L/R:



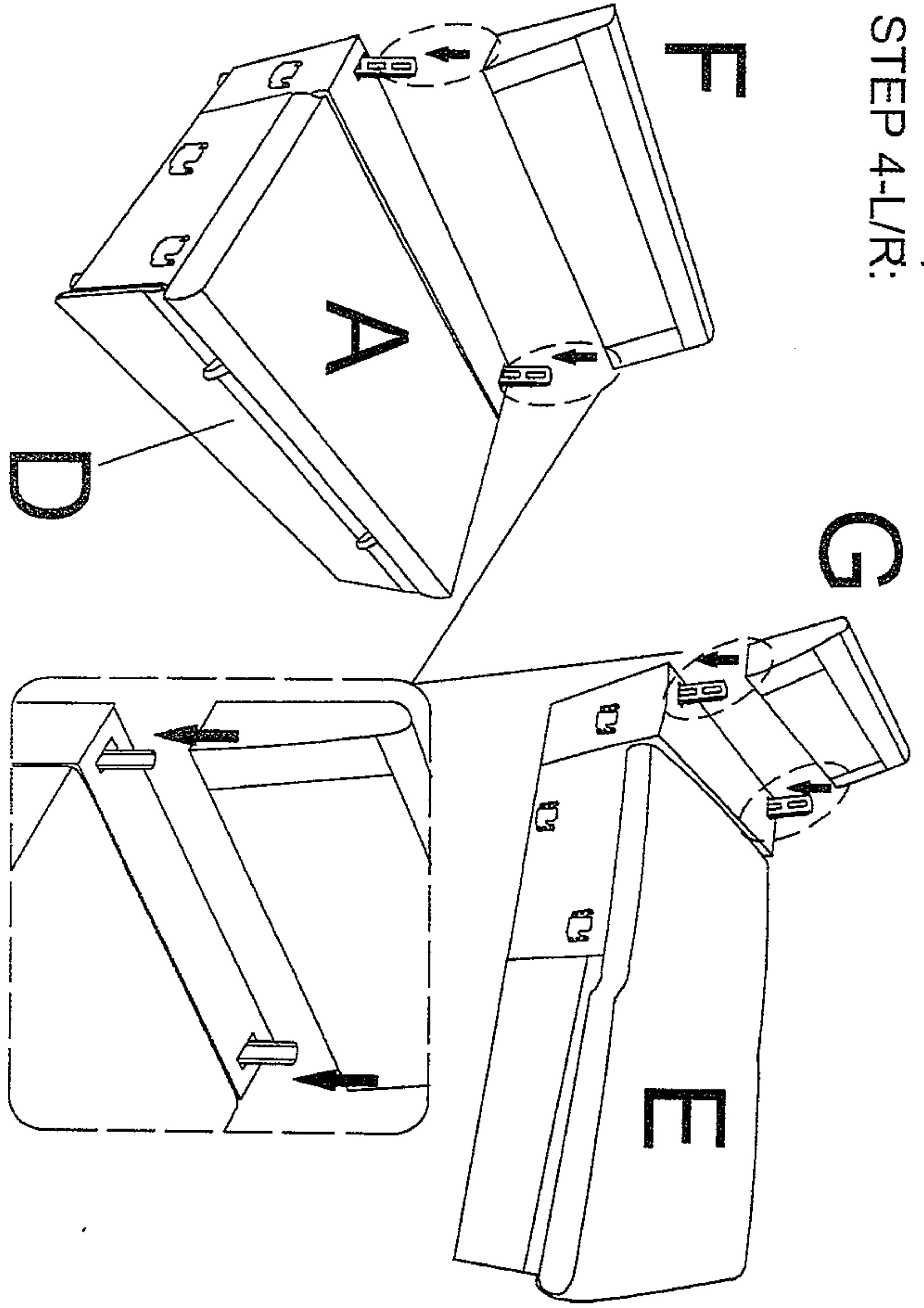
STEP 2-L/R:



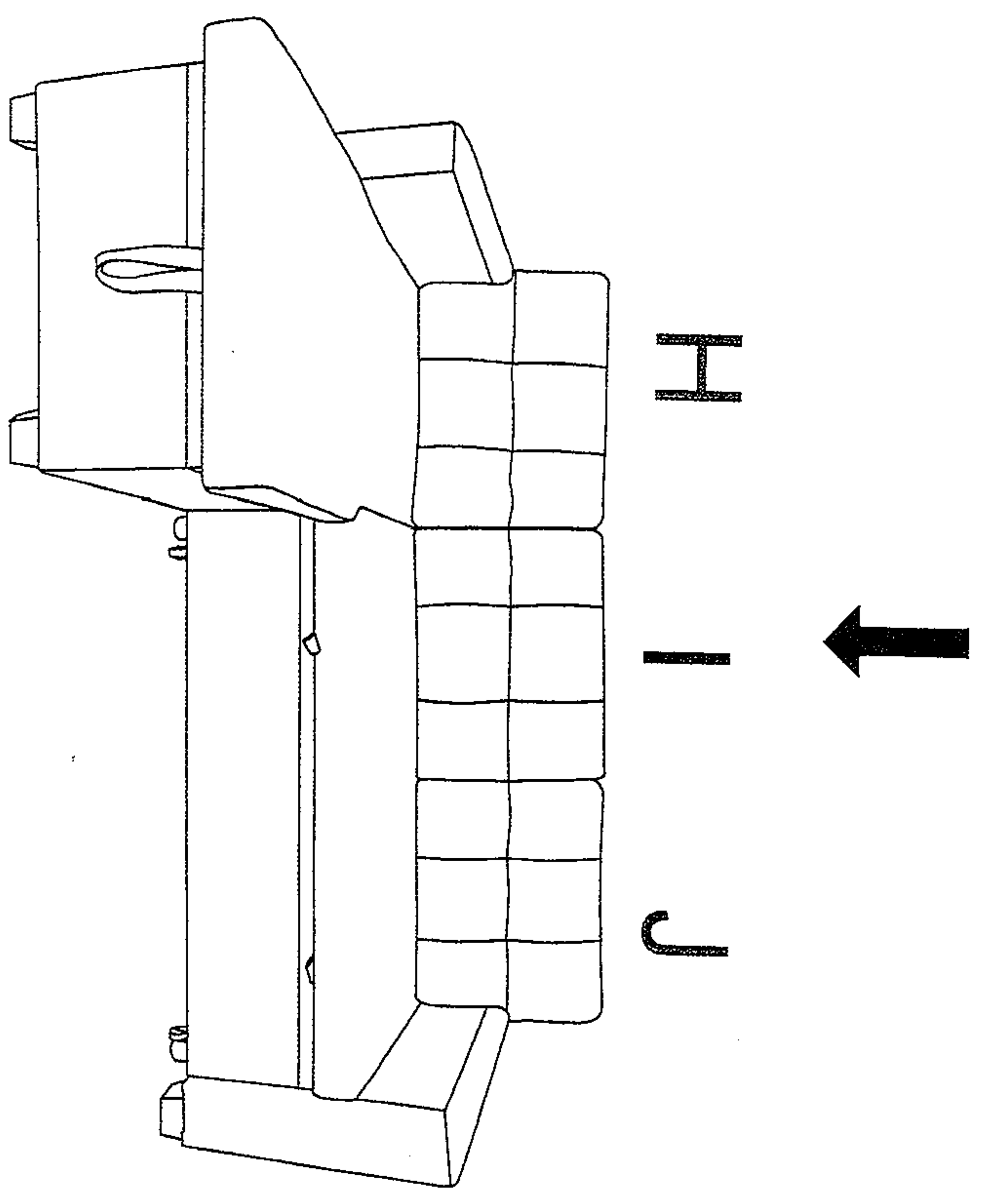
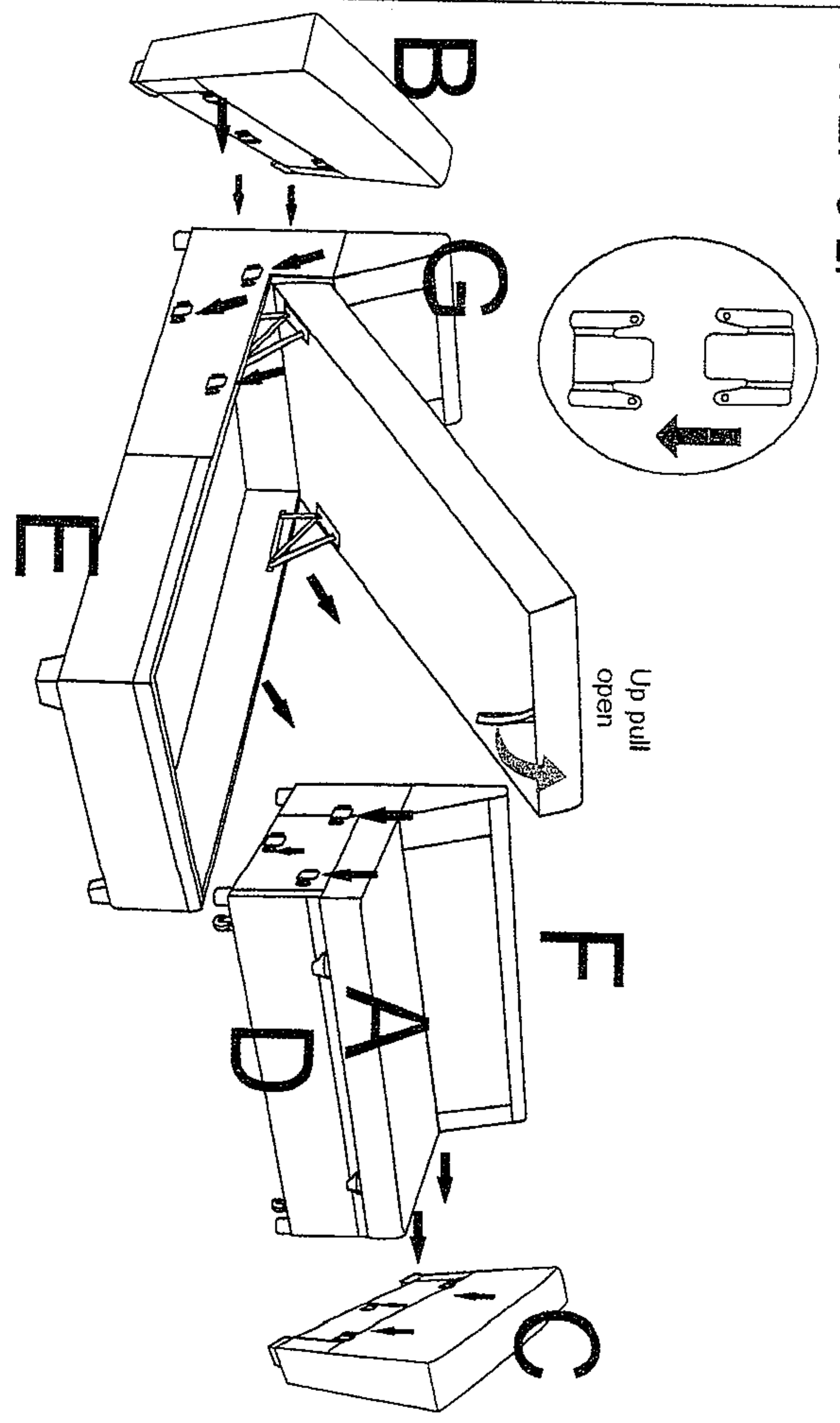
STEP 3 L/R:



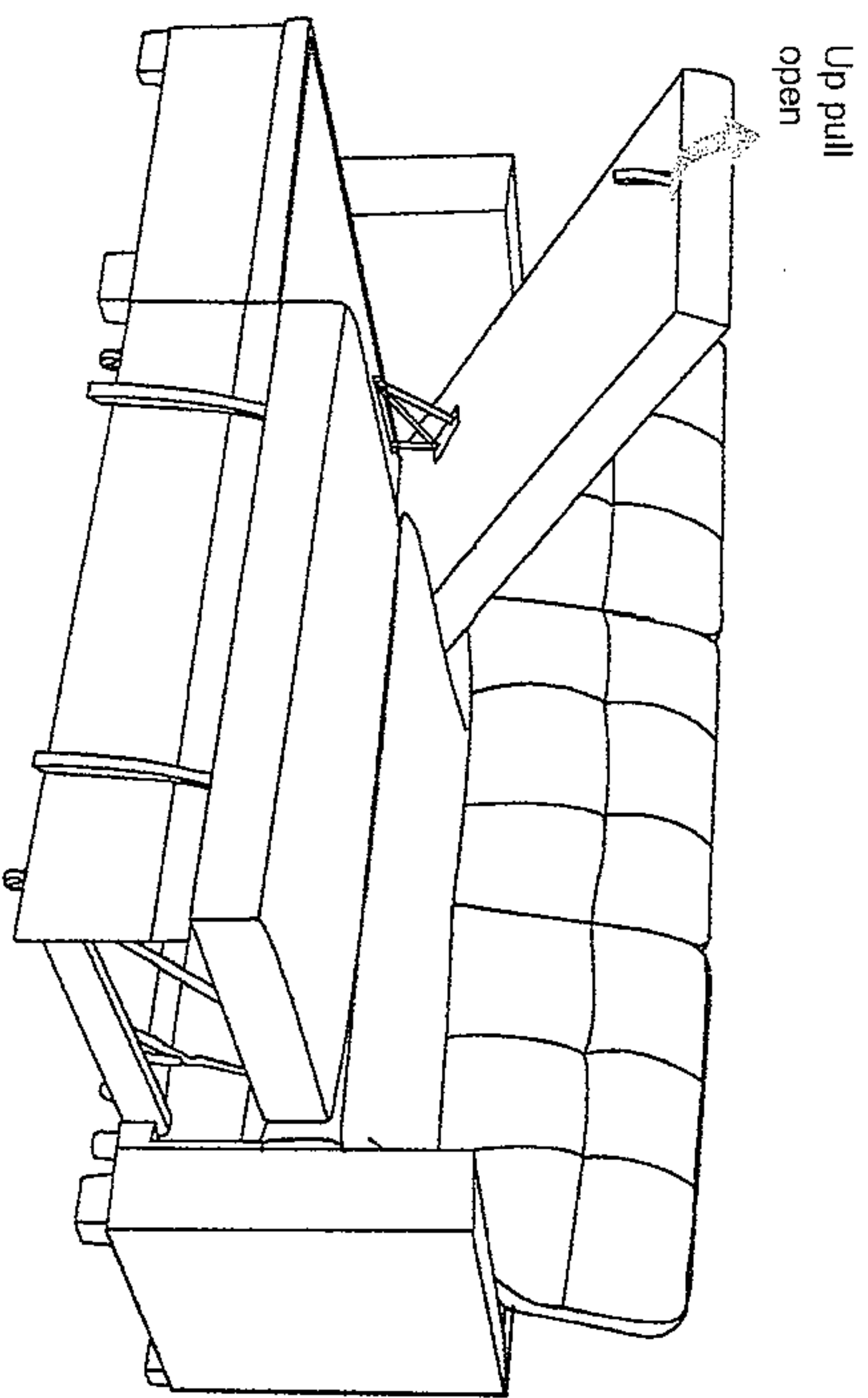
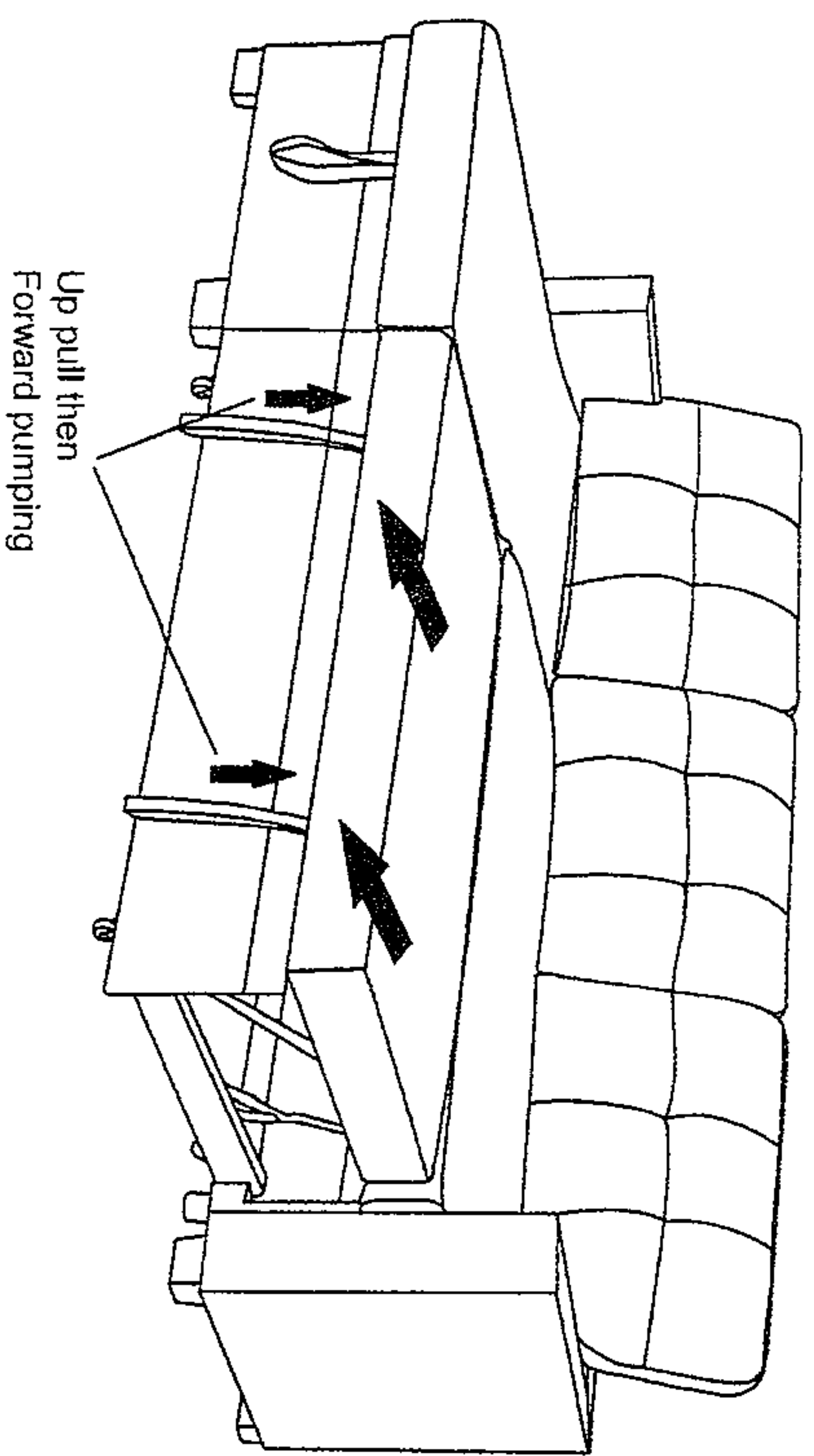
STEP 4 L/R:



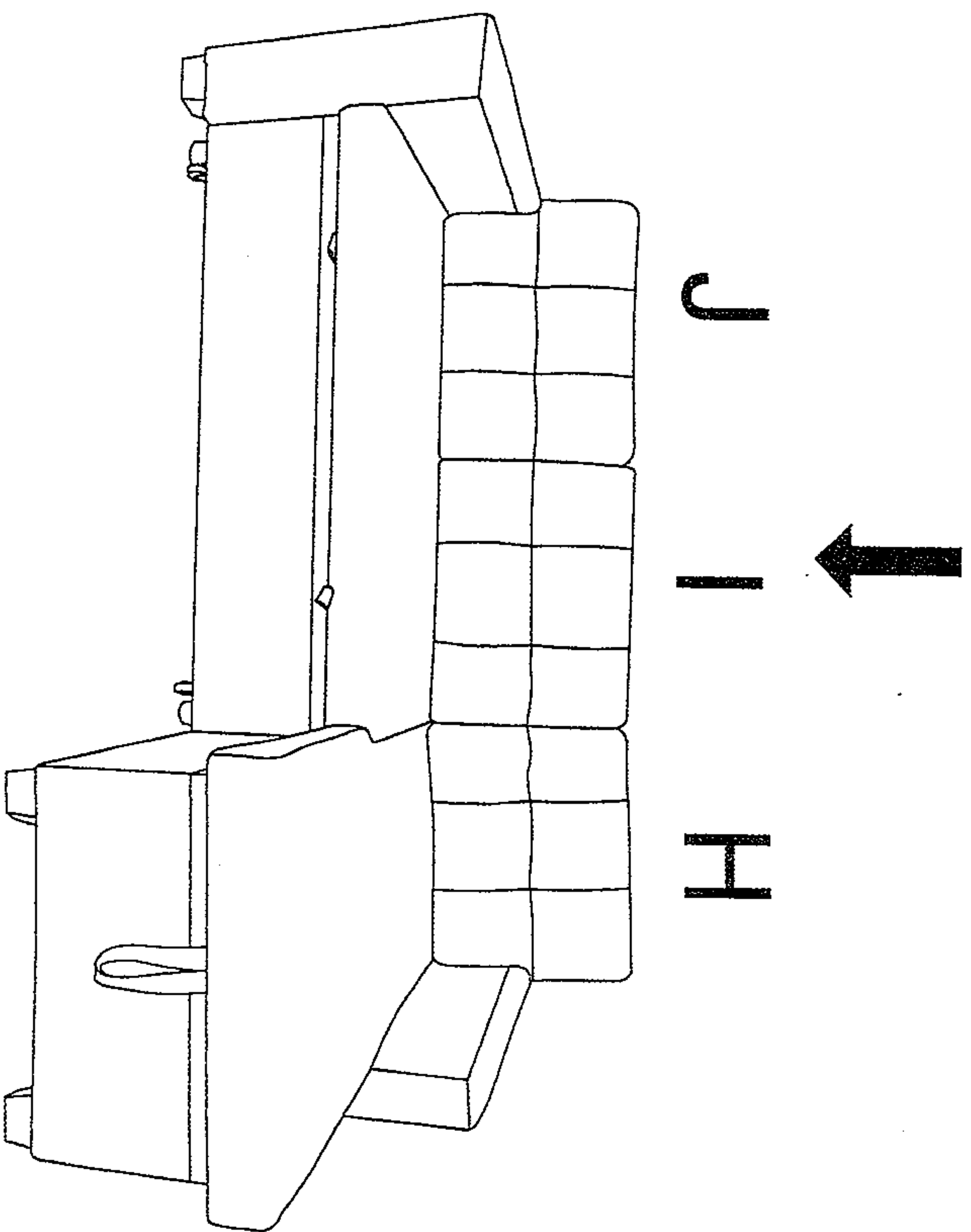
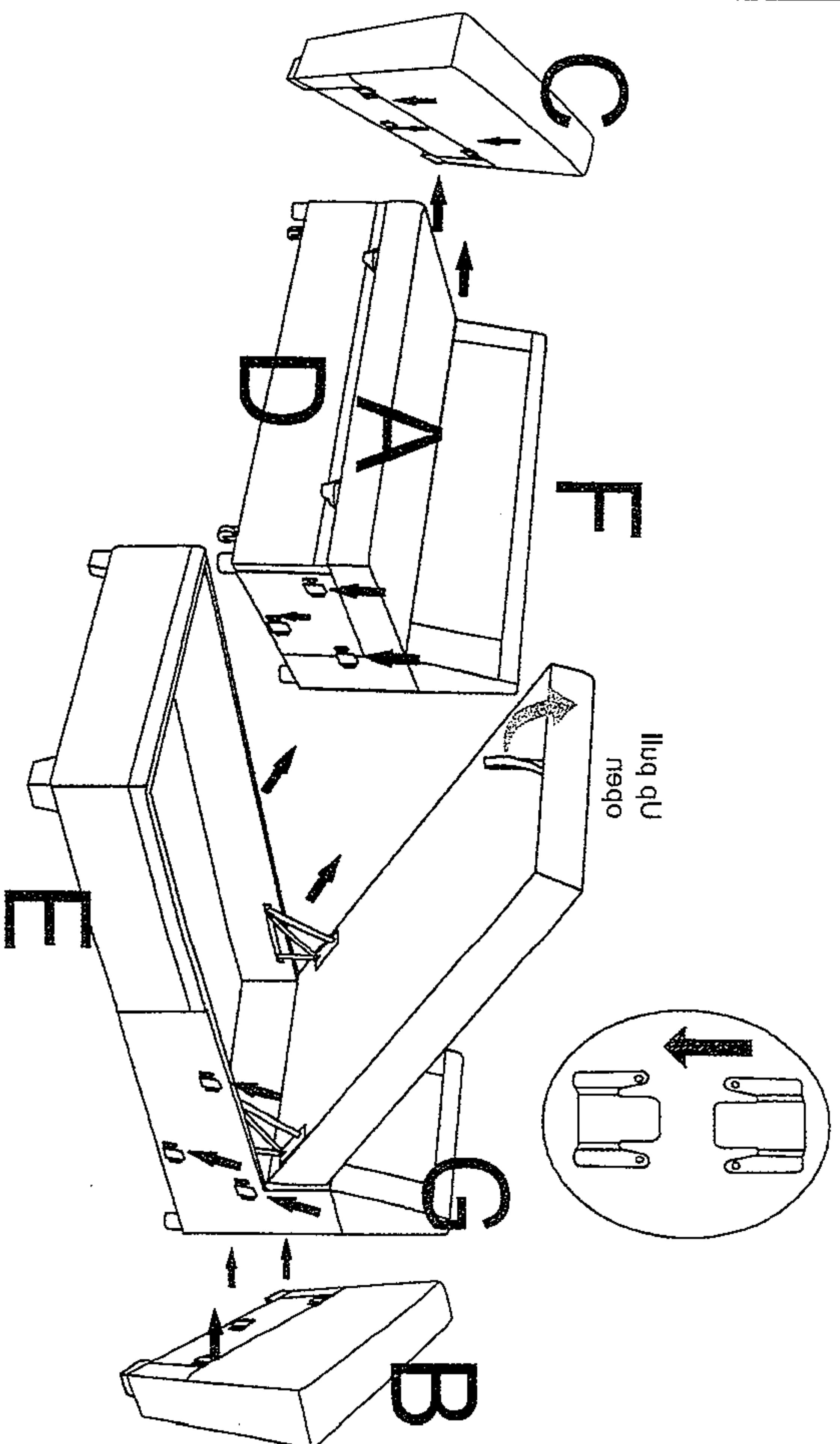
STEP 5-L:



STEP 6-L:



STEP 5-R:



STEP 6-R:

