



AmgoodSupply

Thank you for purchasing our product!

Issues with your order? Give us a chance to make things right.
Do not return this item back to the store. Contact our friendly customer
service department with any problems, comments or concerns.
Replacements for missing or damaged parts are shipped within 1 business day.

Email: **Support@AmGoodSupply.com**

Please check out our other products

Stainless Steel Work Tables
Equipment Stands
Stainless Steel Shelves
Commercial & Utility Sinks
Bakery Racks
Hood Filters
Storage Shelving
Utility Carts
Dunnage Rack
Commercial Floor Strainers
Grease Traps

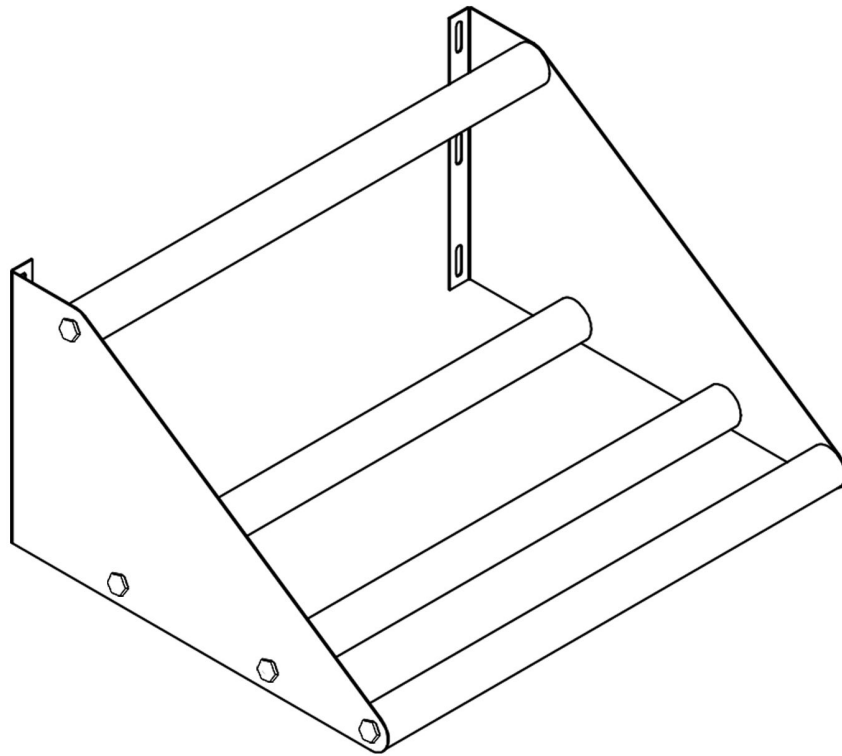
AmGood Supply is a leading manufacturer and distributor of stainless steel and metal products for commercial and residential applications.

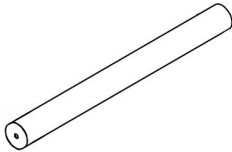
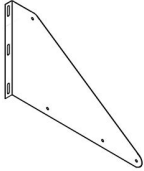
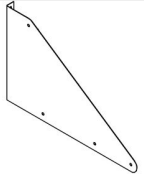
Our customers include homeowners, restaurants, retail and manufacturing businesses, non-profits, as well as state, local, and federal government agencies.




WWW.AMGOODSUPPLY.COM

Assembly Instruction

Wall Mounted Stainless Steel Tubular Glass Rack Shelf

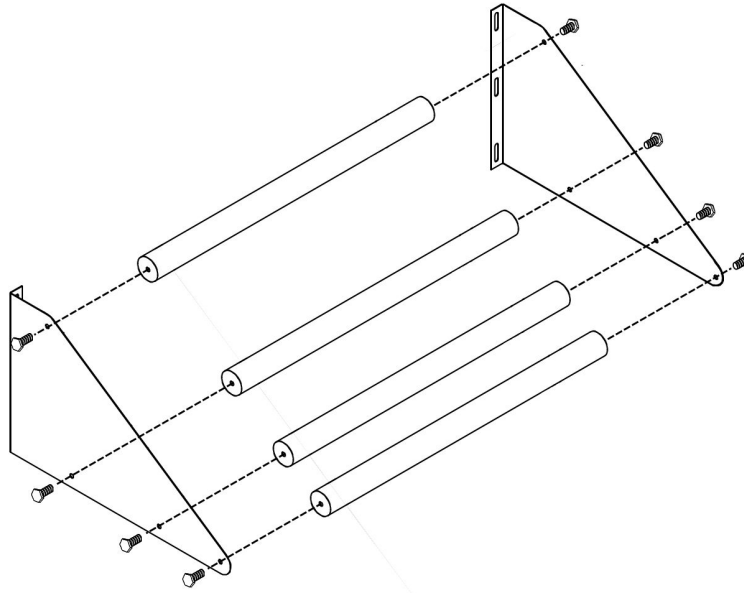


Main parts		
Pattern	Part name	Quantity
	Pipe	4
	Left bracket	1
	Right bracket	1

Accessories		
Pattern	Part name	Quantity
	OD φ8 plastic expansion	6
	Self-tapping screws	6
	Bolts	8

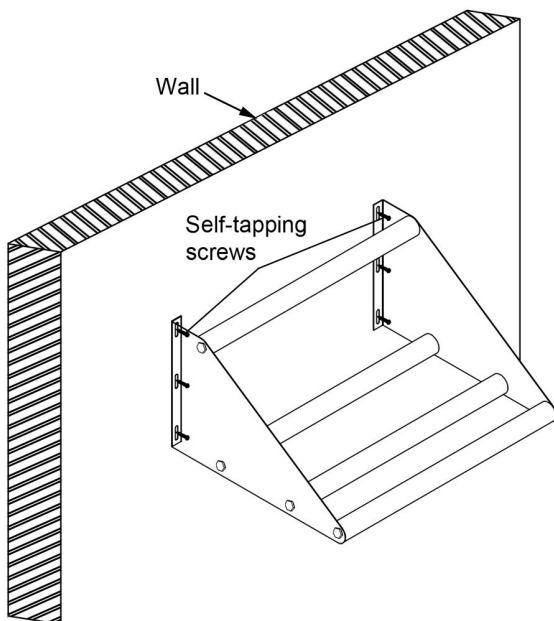
1. Align the stainless steel tubes between the left and right side brackets, ensuring proper placement.

- Use the provided stainless steel bolts to secure the tubes in position.
Once the shelf is resting on a level surface, tighten all the bolts to ensure stability and proper assembly.



2. Mark Mounting Points: Hold the shelf against the wall at the desired height. Use a level to ensure it's straight, and mark the mounting holes.

- Drill Holes: Drill holes at the marked points, appropriate for the wall type (e.g., concrete, drywall, or wood).
- Insert Anchors: If needed, insert wall anchors to ensure secure mounting.
- Attach Shelf: Align the shelf with the drilled holes and secure it to the wall using the provided screws. Tighten screws fully to ensure stability.



3. Check Stability: Ensure the shelf is firmly mounted before placing any items on it.

