
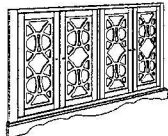


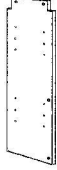

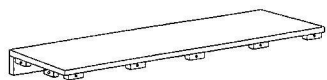
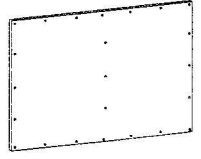

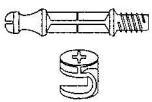
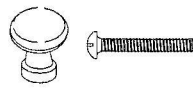

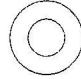
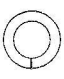
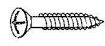

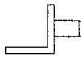


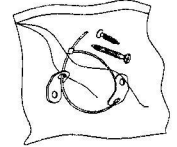
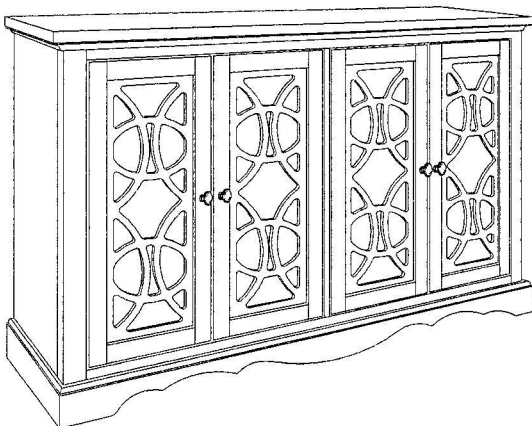


ASSEMBLY INSTRUCTION

BUFFET

A Buffet Top Panel  1 pc	B Front Frame  1 pc	C Side Panel (Left)  1 pc	D Side Panel (Right)  1 pc
E Center Panel  1 pc	F Back Top Rail  1 pc	G Bottom Panel  1 pc	H Back Panel  1 pc
I Shelf  4 pcs	J Minifix Bolt with Housing  14 pcs	K Door Knob with THMS Screw M4 x 30MM  4 pcs	L JCBC Bolt M6 x 35MM  11 pcs
M Flat Washer M8 x 16MM  11 pcs	N Spring Washer 5/16"  11 pcs	O Pan Head Screw M3.5 X 16mm  23 pcs	P CSK Screw M4 X 32mm  16 pcs
Q Shelf Stud  16 pcs	R Allen Key M4  1 pc	S Wooden Dowel Ø10 X 30mm  20 pcs	T Anti-Tipping Kit  1 set



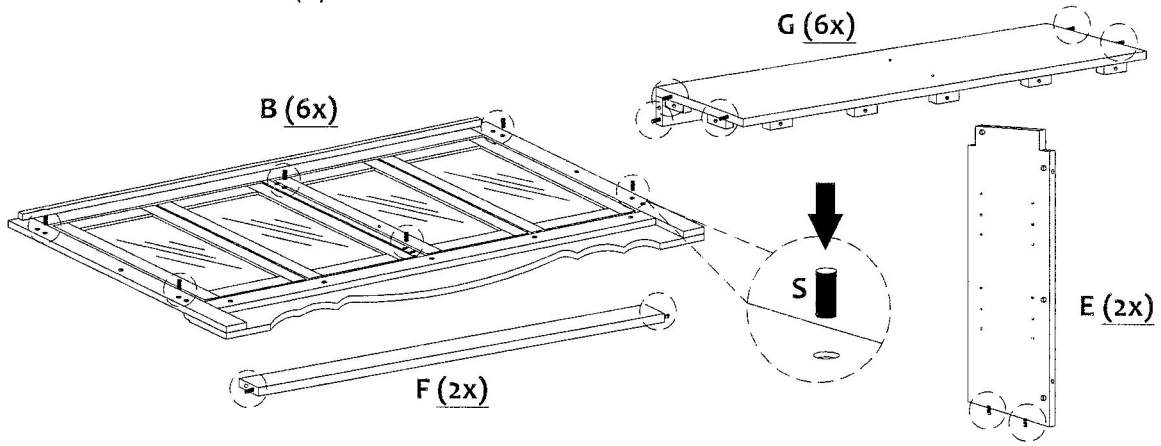
This page lists all the contents included in the box. Please take the time to identify the hardware as well as the individual components to this product. As you unpack and prepare for assembly, place the contents on a carpeted or padded area to protect them from damage.

IMPORTANT NOTE :

1. Do not tighten all screws / bolts until all completely assemble.
2. Keep all hardware parts out of reach of children.

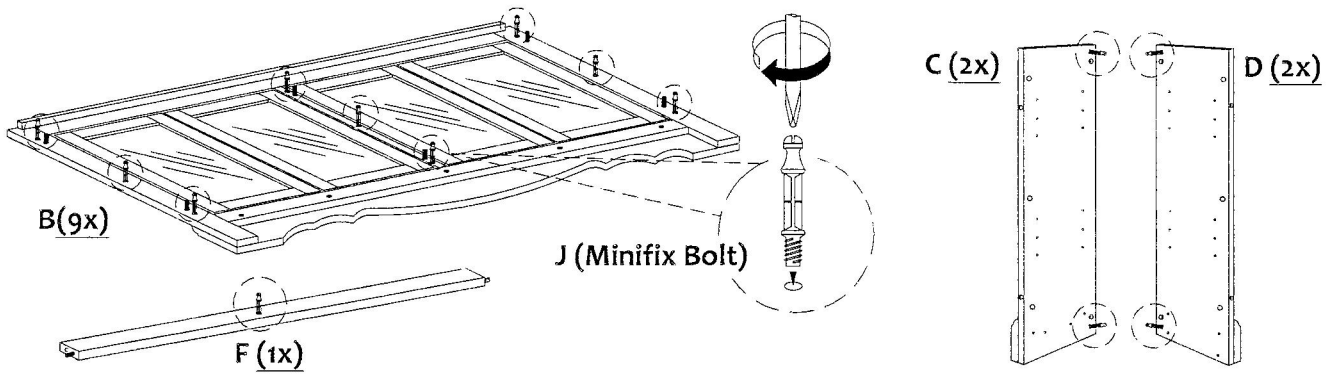
1

Insert Wooden Dowel (S) to all dowel holes.



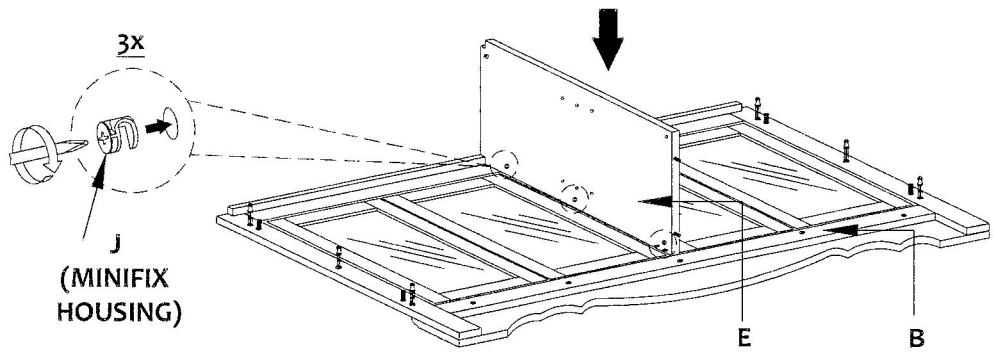
2

Insert Minifix Bolt (J) to all E-Nut holes with Screwdriver (not provided).



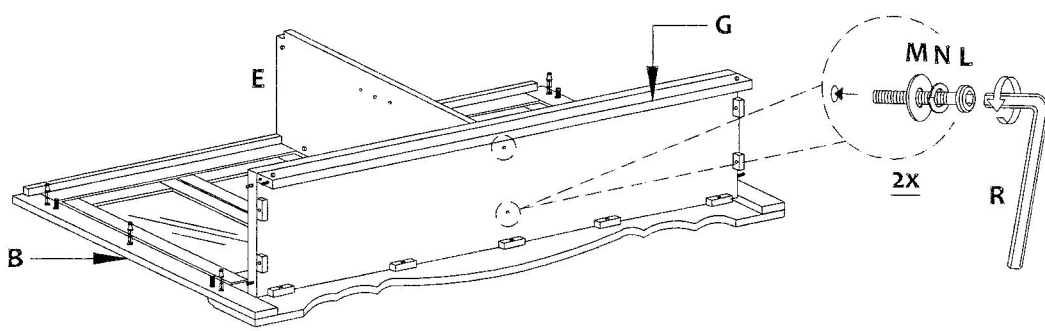
3

Turn the Front Frame (B) upside down and place it on a piece of cloth to prevent from scratching. Gently insert Center Panel (E) to the Front Frame (B). Insert Minifix Housing (J) and follow the arrow to lock it.



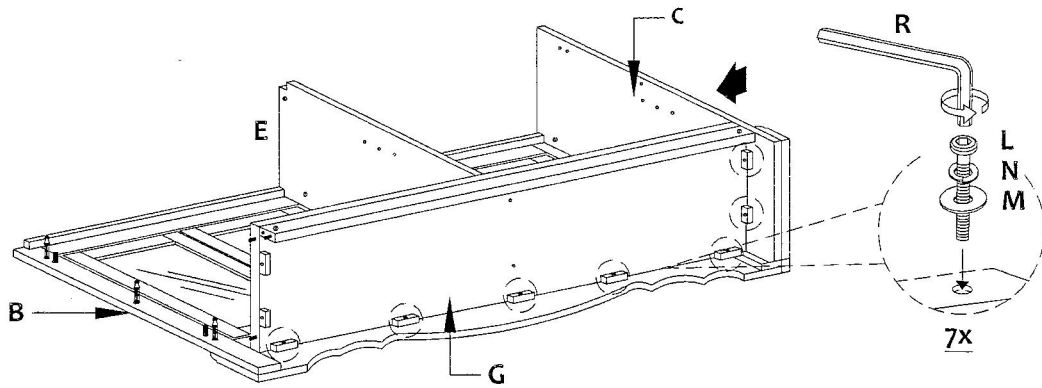
4

Insert Bottom Panel (G) to Center Panel (E) and secure it with Flat Washer (M), Spring Washer (N) and JCBC Bolt (L) and tighten with Allen Key (R).

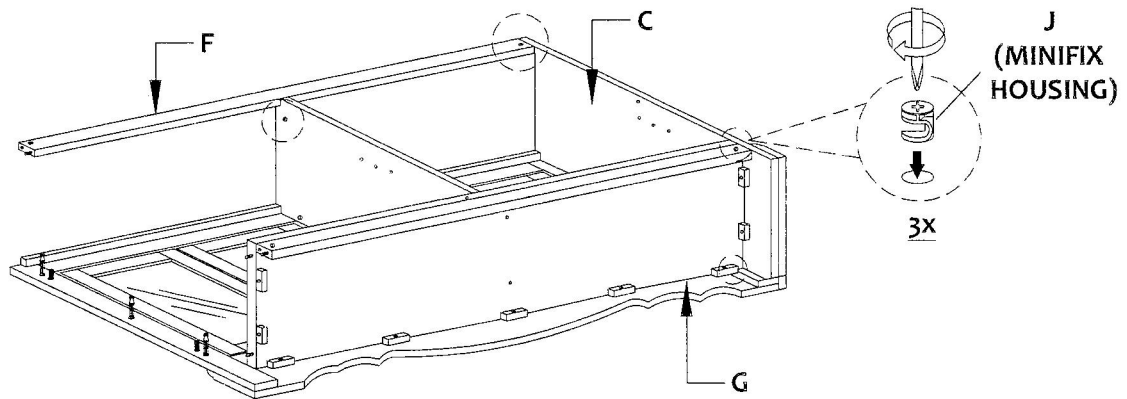


5

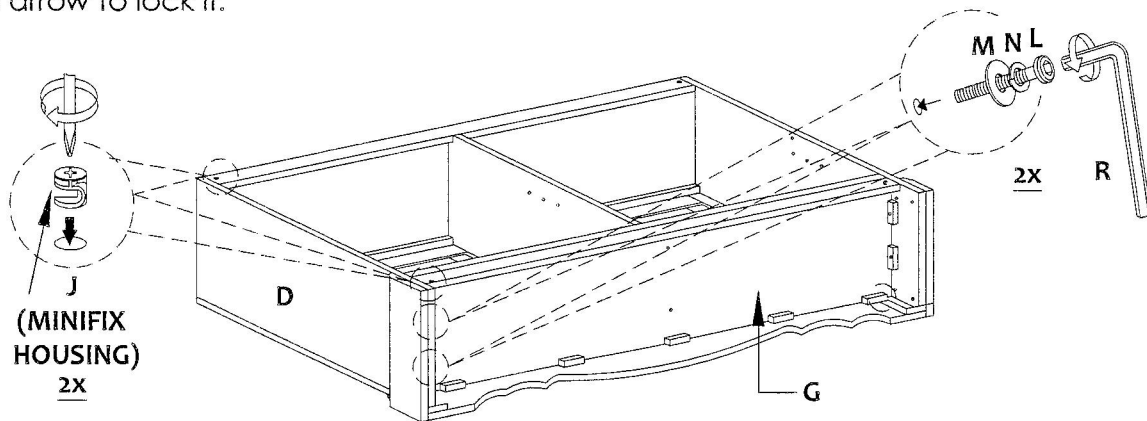
Gently insert Side Panel (Left) (C) to the Front Frame (B) and secure it with Flat Washer (M), Spring Washer (N) and JCBC Bolt (L) and tighten with Allen Key (R).

**6**

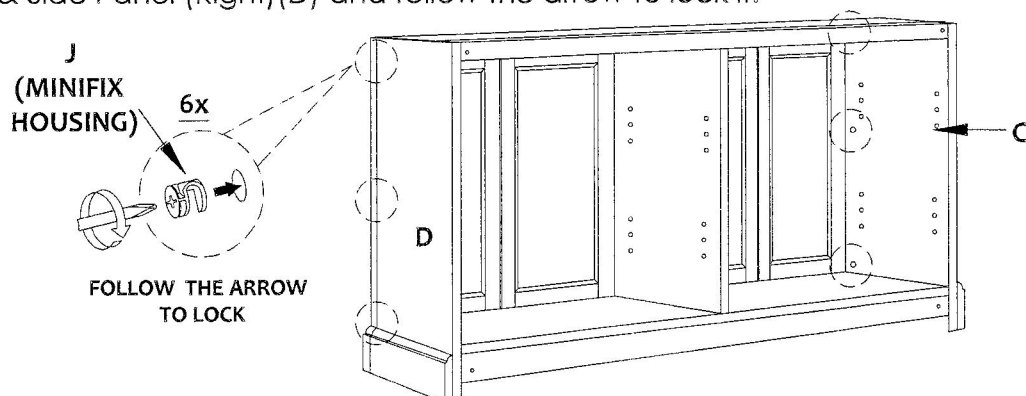
Place Back Top Rail (F) to Side Panel (Left) (C). Insert Minifix Housing (J) to Side Panel (Left) (C) and follow the arrow to lock it.

**7**

Insert the other Side Panel (Right) (D) to Front Frame (B). Secure the Bottom Panel (G) to Side Panel (Right) (D) with Flat Washer (M), Spring Washer (N) and JCBC Bolt (L) and tighten it with Allen Key (R). Insert Minifix Housing (J) to Side Panel (Right) (D) and follow the arrow to lock it.

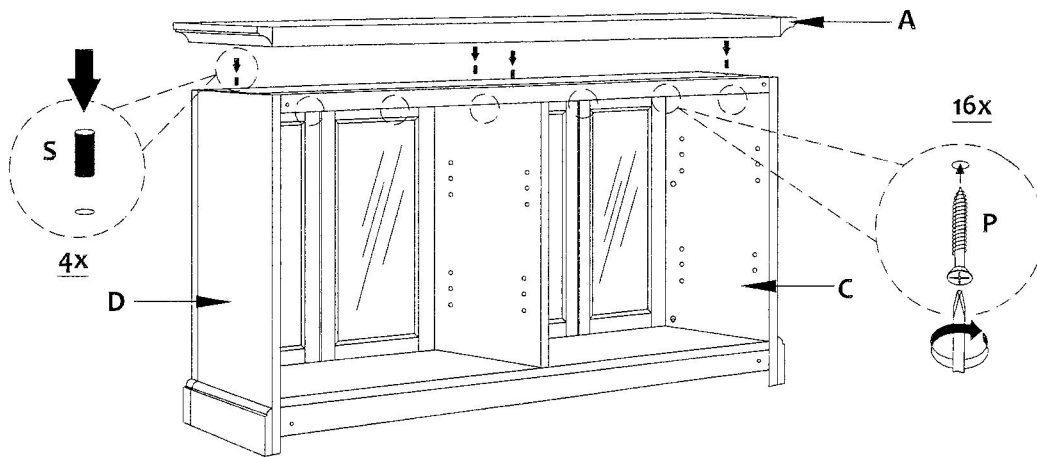
**8**

Turn the semi assembled Buffet up-right. From inside insert Minifix Housing (J) to Side Panel (Left) (C) & Side Panel (Right) (D) and follow the arrow to lock it.

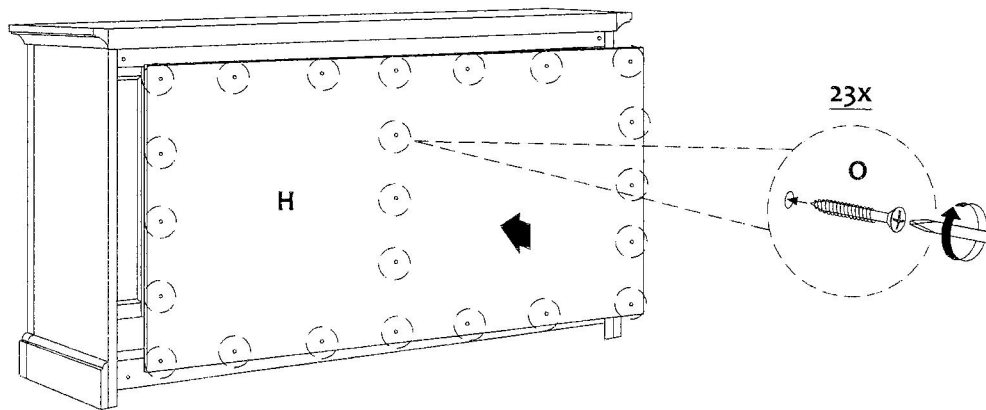
**3**

9

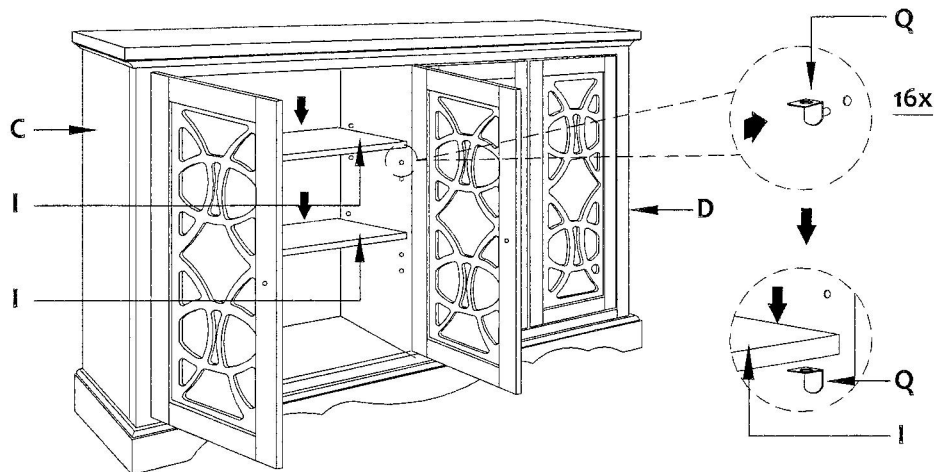
Insert Wooden Dowel (S) to the pre-drill holes at the Side Panel (Left)(C) & Side Panel (Right)(D). Gently place the Top Panel (A). Then, from bottom secure the Top Panel (A) with CSK Screw (P).

**10**

Place the Back Panel (H) and screw it with Pan Head Screw (O).

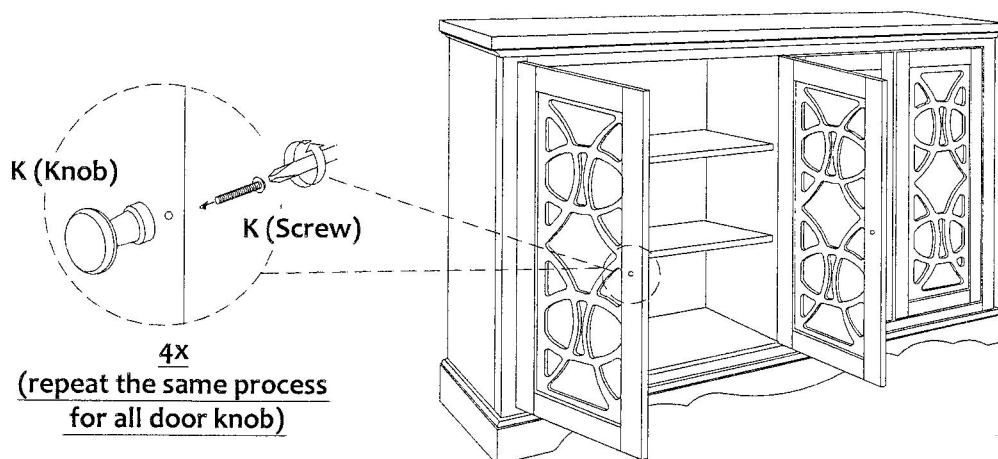
**11**

Insert the Shelf Stud (Q) to the pre-drill holes at the Side Panel (Left)(C) & Side Panel (Right)(D) and place the Shelf (I).

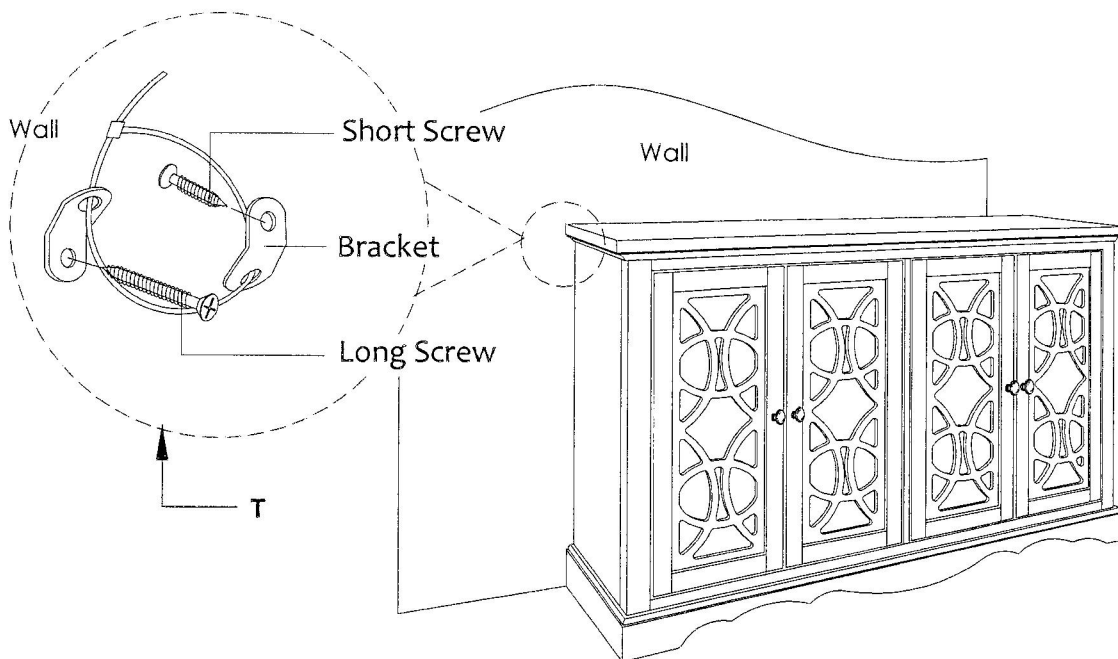


12

Attached the Door Knob (K) to the pre-drilled holes and tighten it with the screw given using Phillip Headscrewdriver.

**13**

Attach Anti-Tipping Kit (T) to wall. Attached bracket (vertically) to wall using the long screw provided. Attach bracket (vertically) to furniture back (directly below top) with short screw. Place bracket as close to center of furniture back as possible in relation to wall stud and the desired position in the room. Move furniture to its final position. Thread the strap through bracket, pull it tight.



CLEANING & CARE

Treat surface with care. Surface is resistant to scratches but is not scratches resistant. Clean surface with a dry or damp soft cloth. Do not use abrasive cleaners. Hardware may loosen over time. Periodically check that all connections are tight.