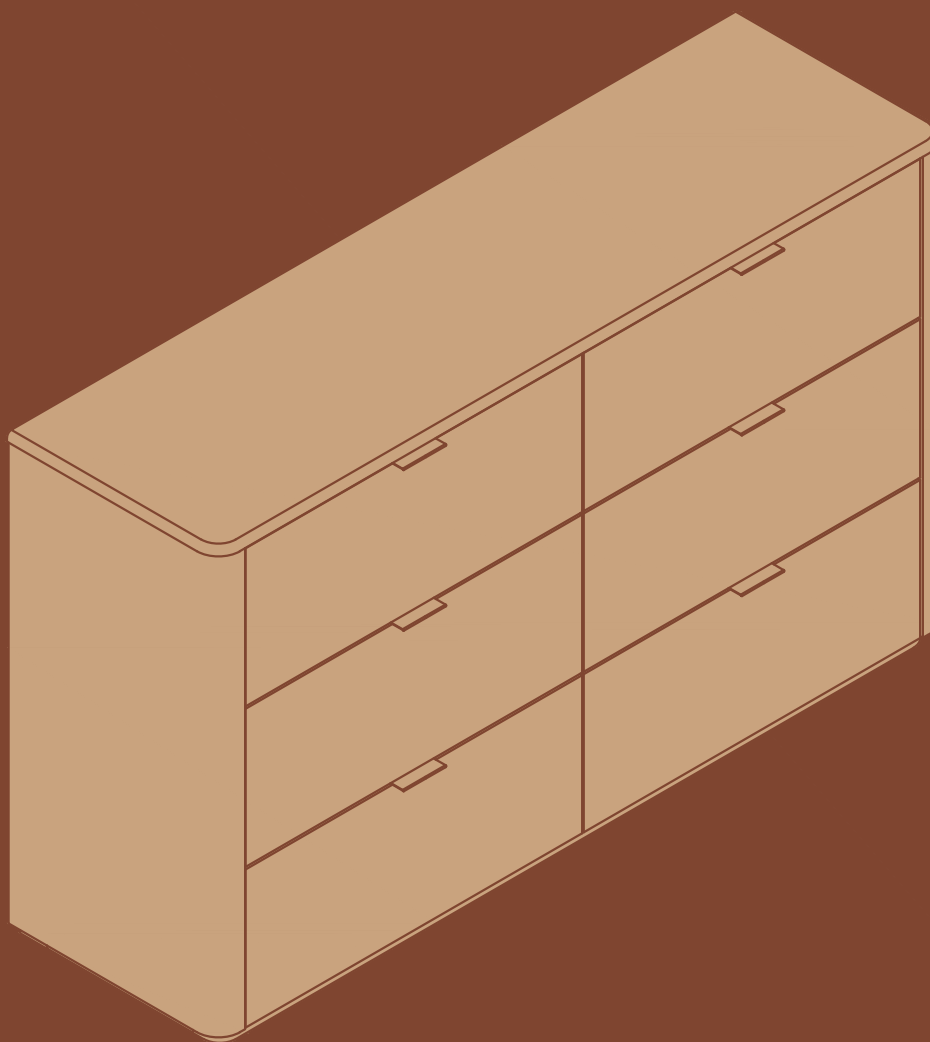


ASSEMBLY INSTRUCTION



Dresser

CATALOGUE

| | |
|--------------------|-------|
| Precautions | 01 |
| Parts List | 02 |
| Hardware List | 03 |
| Tool List | 04 |
| Assembling Process | 05-30 |

INTRODUCTION

Thank you for purchasing our products. Please read the instructions carefully before installation and keep it in a safe place for future reference. If you need any assistance or support, please feel free to contact our customer support team.

PRECAUTIONS

This package contains numerous components and hardware pieces. Please identify and verify all parts against the parts list before you begin assembly.

WARNING: Choking Hazard. This product contains small items. Keep all parts and hardware out of the reach of children during assembly.

To prevent scratches, assemble the product on a soft, non-abrasive surface such as a carpet, blanket, or the flattened cardboard packaging.

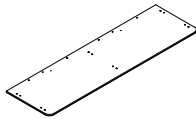
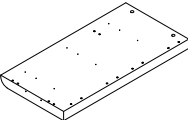
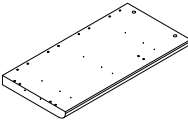
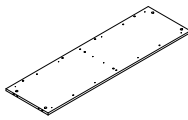
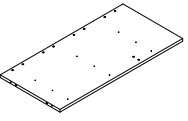
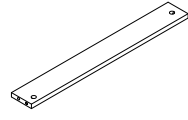
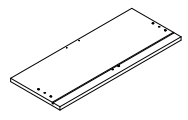
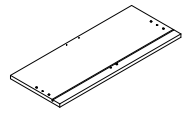
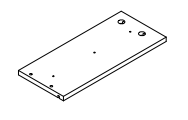
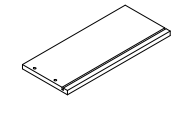
Some components are heavy. For safety, we recommend this product be assembled by two adults.

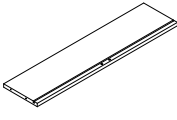
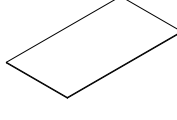
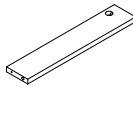
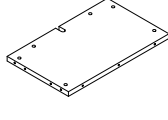
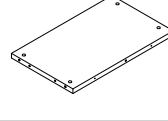
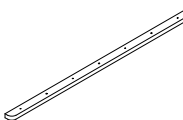
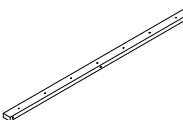
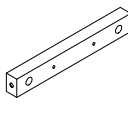
The unit may be unstable until assembly is fully complete. Do not move the product until all steps are finished.

If you encounter any issues or have questions, please contact our customer service team for assistance.


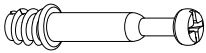





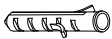
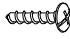
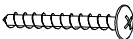
- * **Please be sure to follow the installation steps in the manual to avoid unnecessary losses caused by improper installation.**
- * **If you need further assistance, please contact the customer service online.**


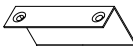


Parts List

| ID | Parts | QTY |
|----|---|-----|
| 1 |  | 1 |
| 2 |  | 1 |
| 3 |  | 1 |
| 4 |  | 1 |
| 5 |  | 1 |
| 6 |  | 2 |
| 7 |  | 3 |
| 8 |  | 3 |
| 9 |  | 6 |
| 10 |  | 6 |

| ID | Parts | QTY |
|----|---|-----|
| 11 |  | 6 |
| 12 |  | 6 |
| 13 |  | 6 |
| 14 |  | 2 |
| 15 |  | 2 |
| 16 |  | 1 |
| 17 |  | 1 |
| 18 |  | 3 |

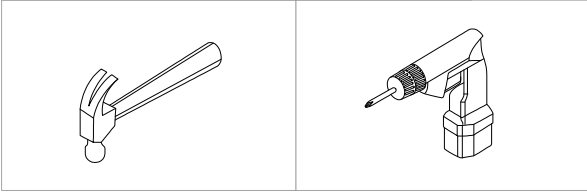
Hardware List

| ID | Parts | QTY |
|----------|---|------|
| A |  Washer | 70+2 |
| B |  Screw | 70+2 |
| C |  Ø6*30mm | 24+2 |
| D |  Ø8*30mm | 48+2 |
| E |  Ø8*Ø4*30mm | 30+2 |
| F |  Ø9*Ø4*40mm | 6+1 |
| G |  Bracket | 2 |
| H |  Bracket | 2 |
| I |  Ø9*Ø4*13mm | 2 |
| J |  Ø9*Ø4*35mm | 2 |

| ID | Parts | QTY |
|----------|---|------|
| K |  Ø9*Ø4*30mm | 14+1 |
| L |  Bracket | 6 |
| M |  Ø7*Ø3.5*12mm | 84+2 |
| N |  Bracket | 6 |

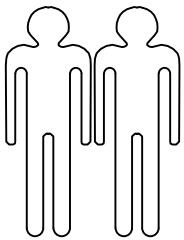
Tool List

Required Tools (Not Included)

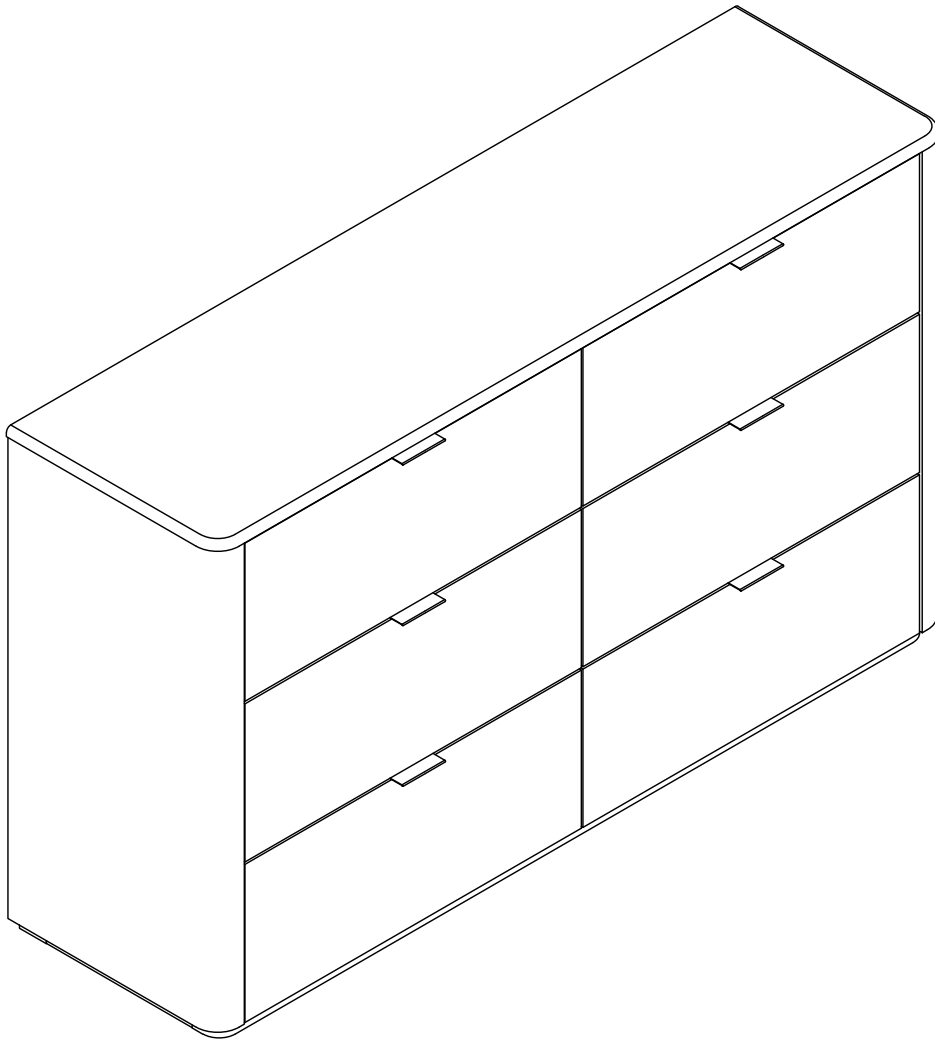


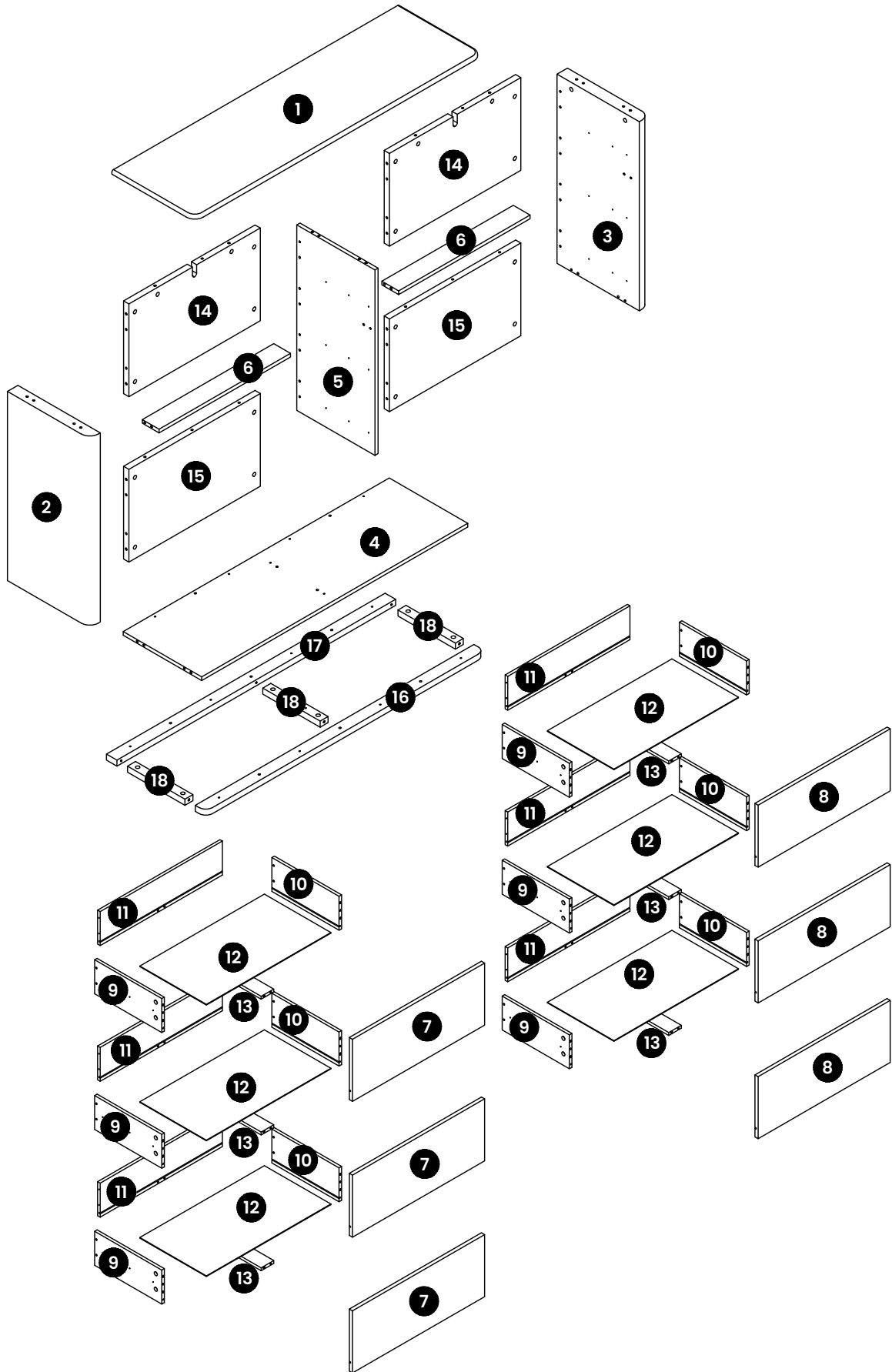
Wall mounting only

These tools are not required for product assembly.



Multi-person installation



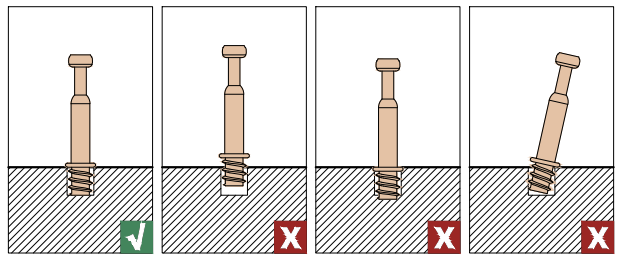
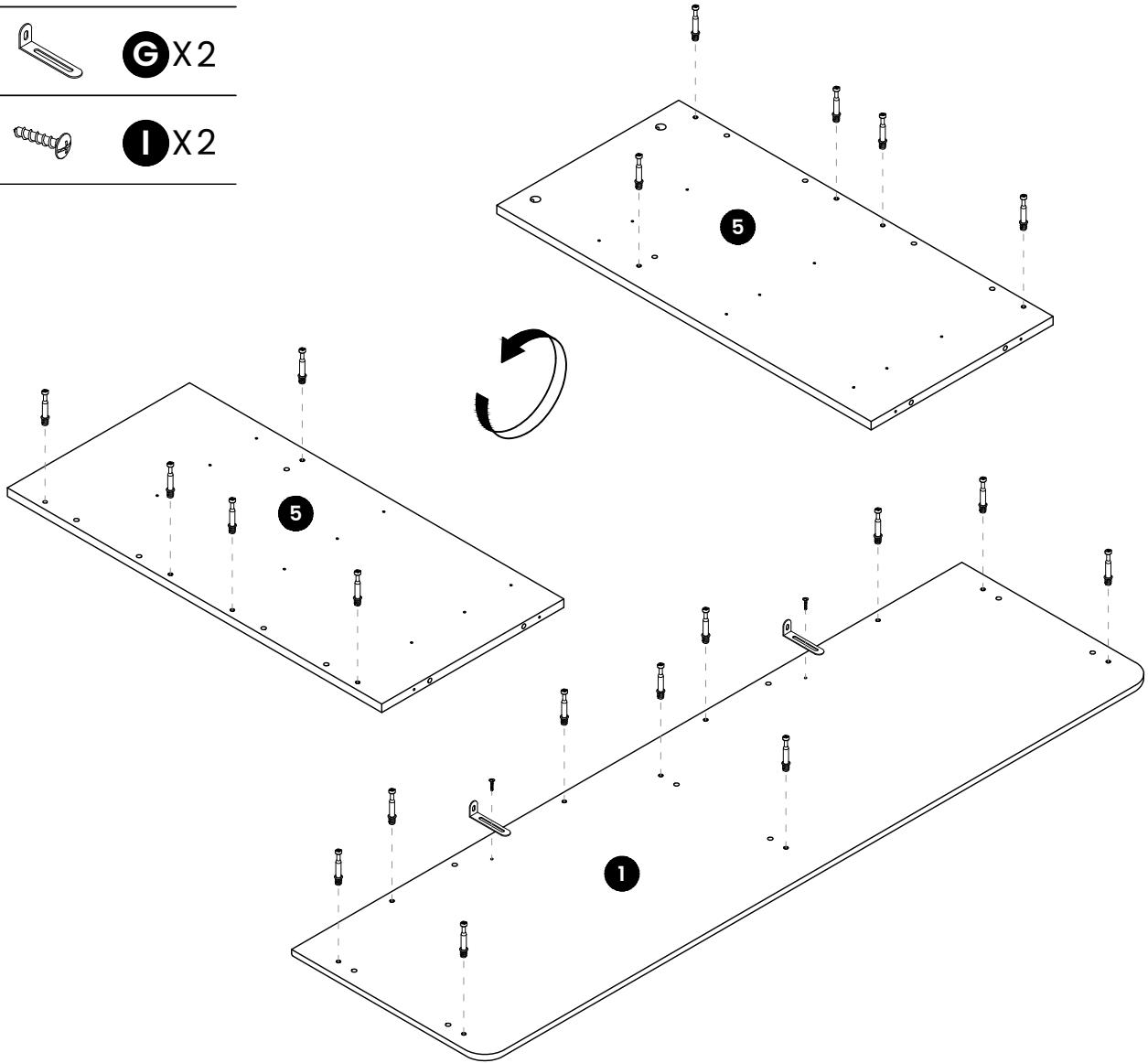


STEP 1

 **B** X20

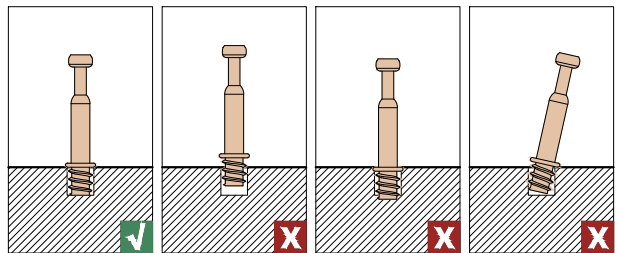
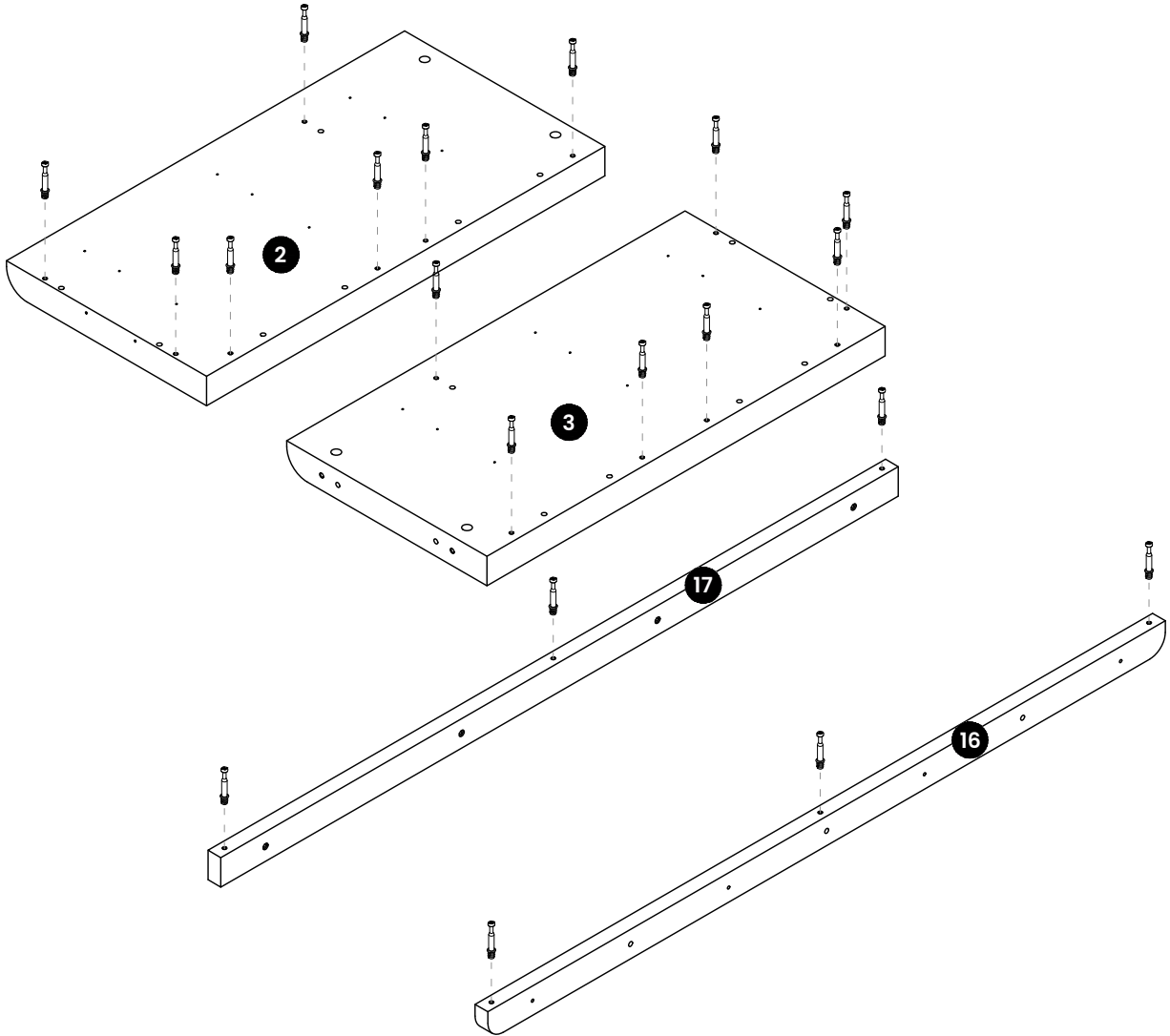
 **G** X2

 **I** X2



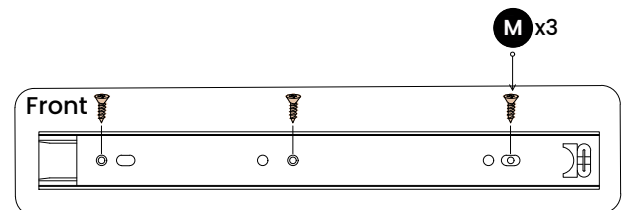
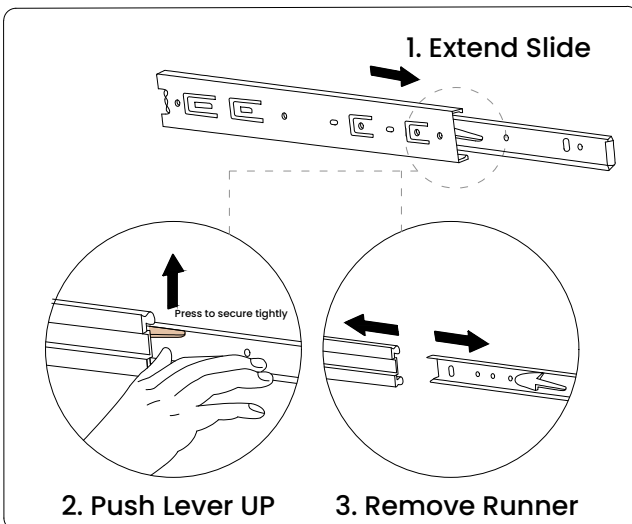
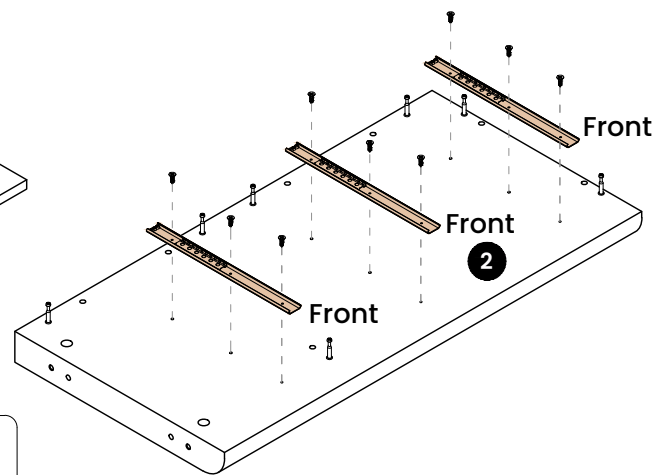
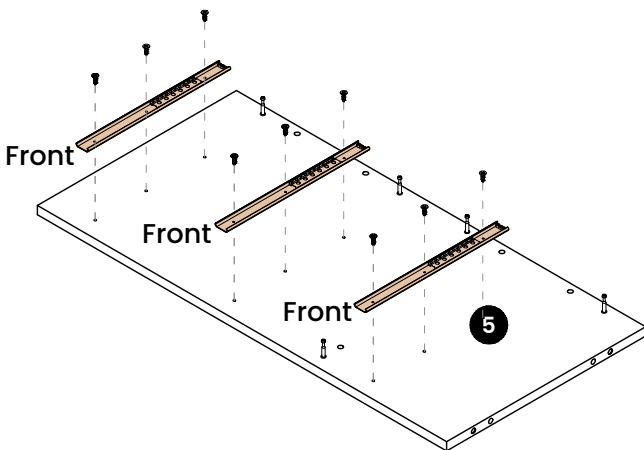
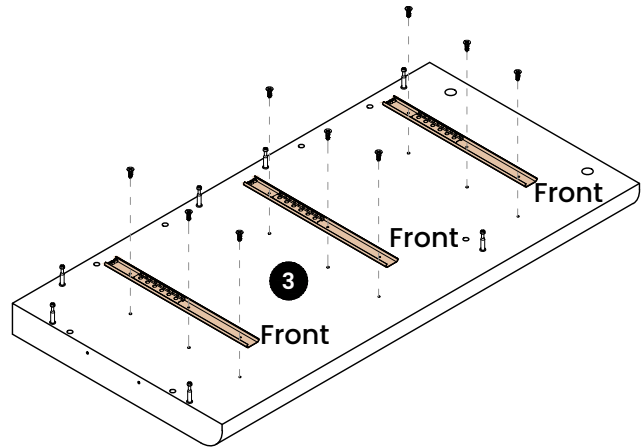
Install the screw correctly to secure the screw.


STEP 2



Install the screw correctly to secure the screw.

STEP 3

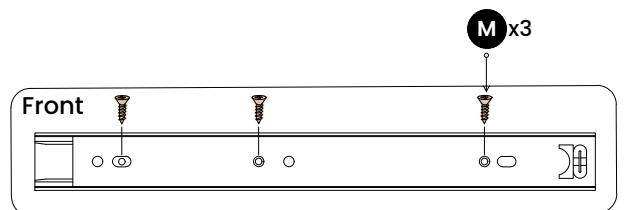
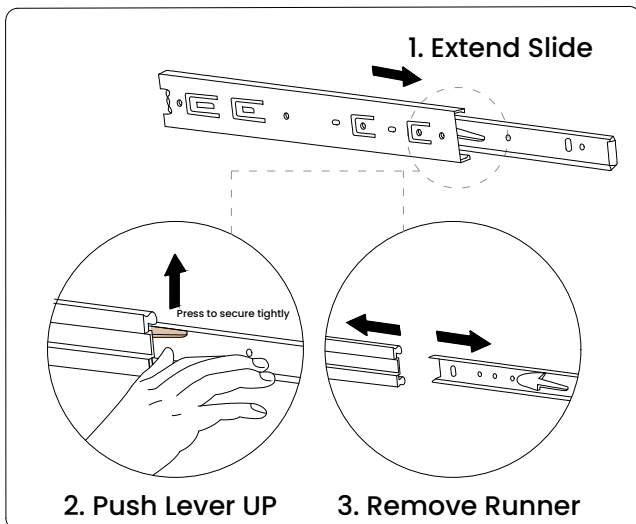
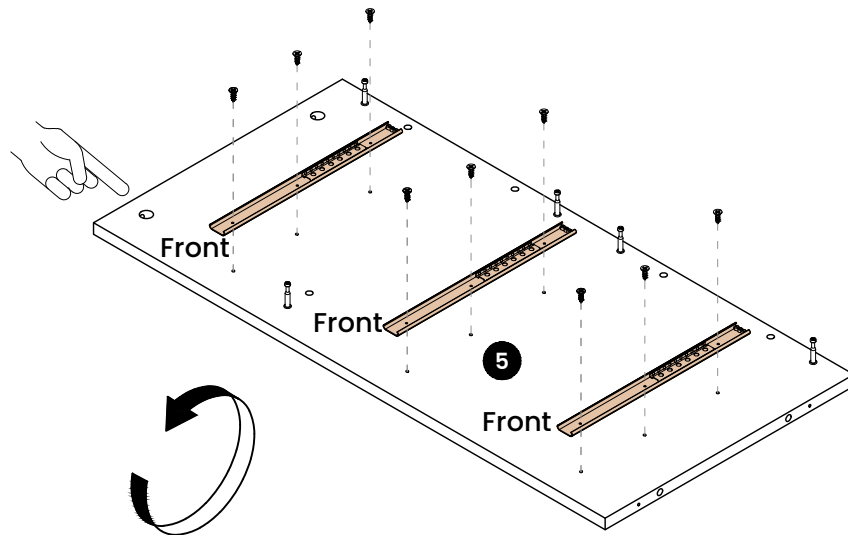



 Pay attention to the position of the screws

STEP 4

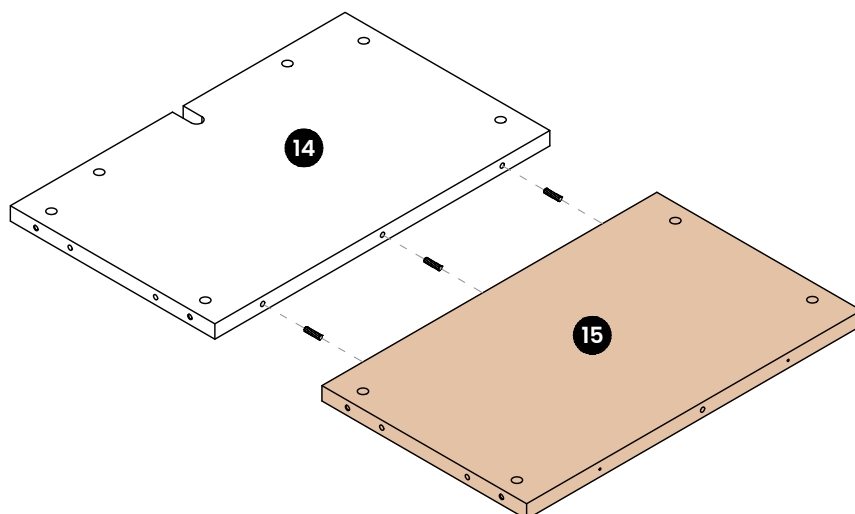
 **M** X 9

 **N** X 3

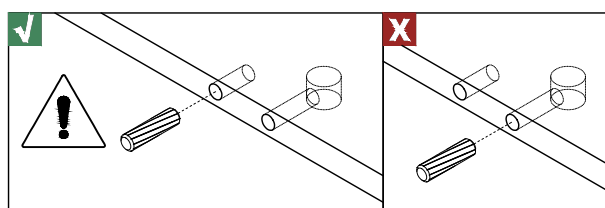


 Pay attention to the position of the screws

STEP 5



X2



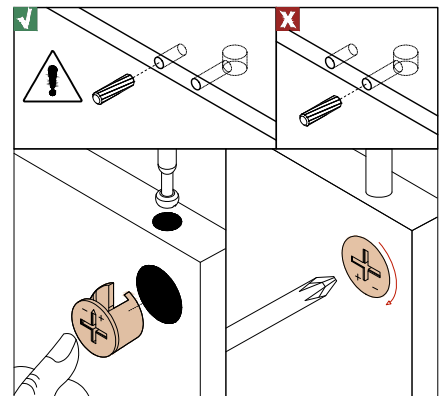
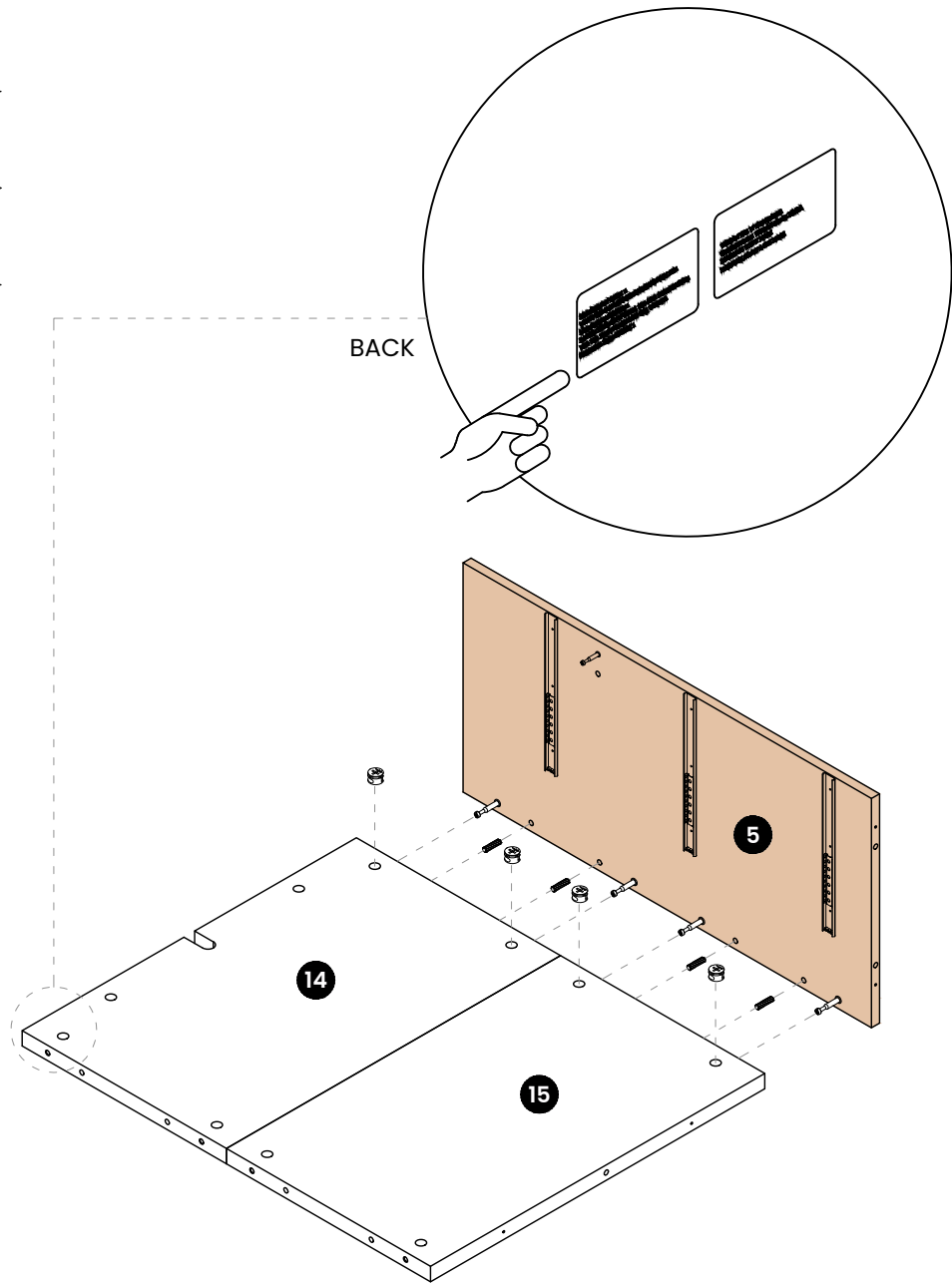
STEP 6



A X4



D X4



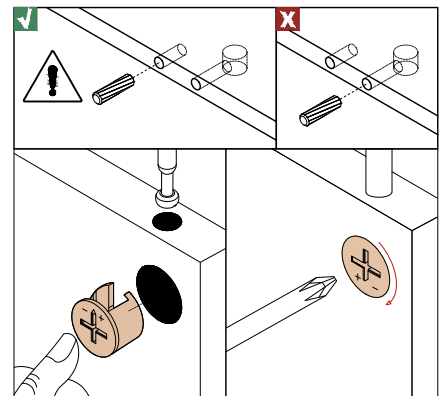
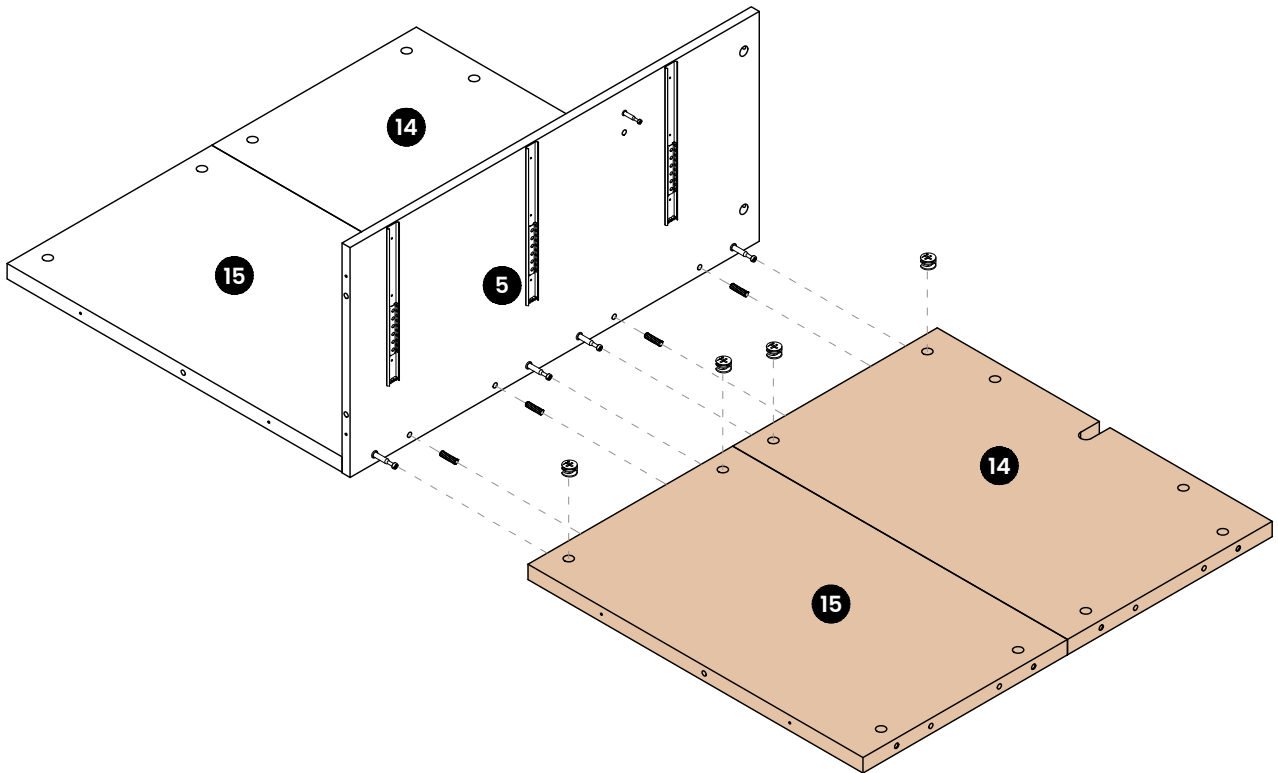
STEP 7



A X4



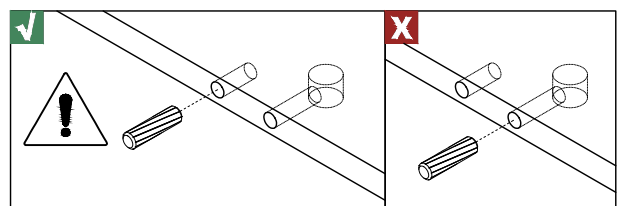
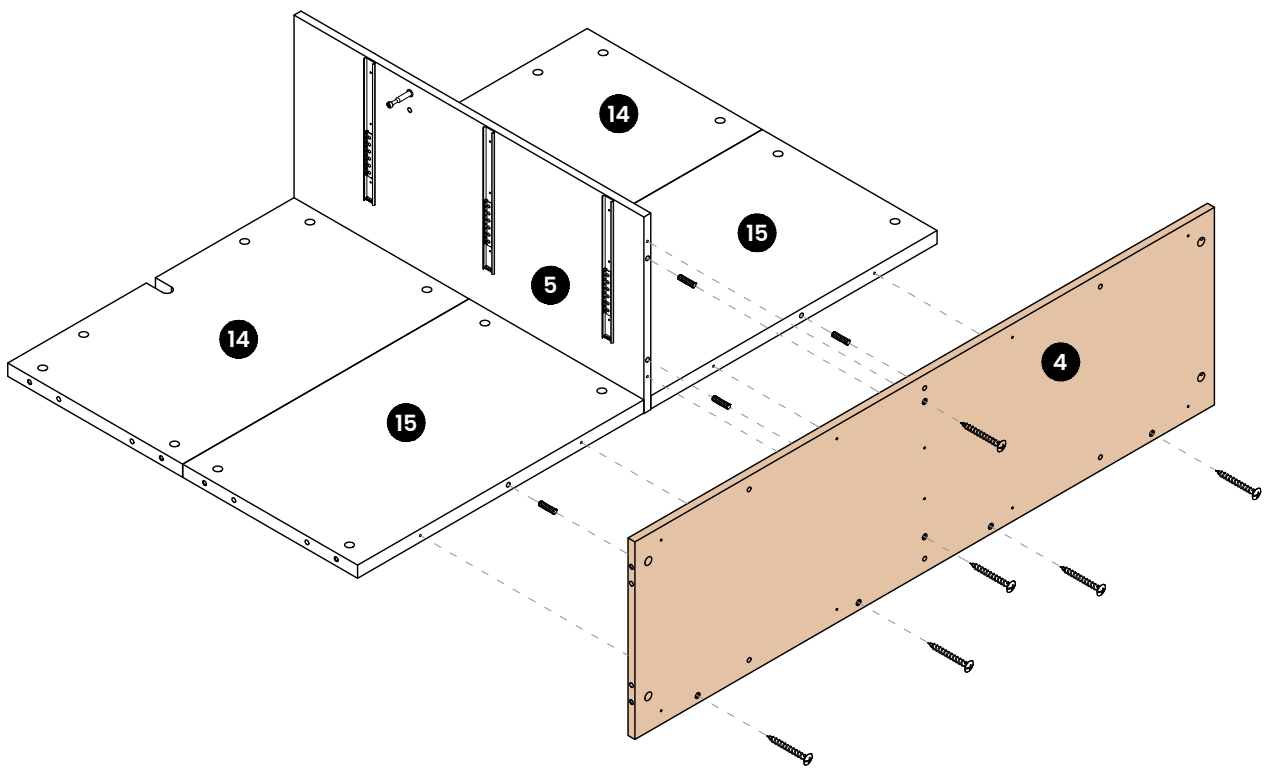
D X4



STEP 8

 **F** X6

 **D** X4



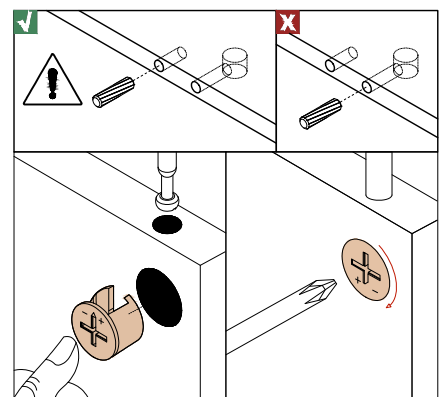
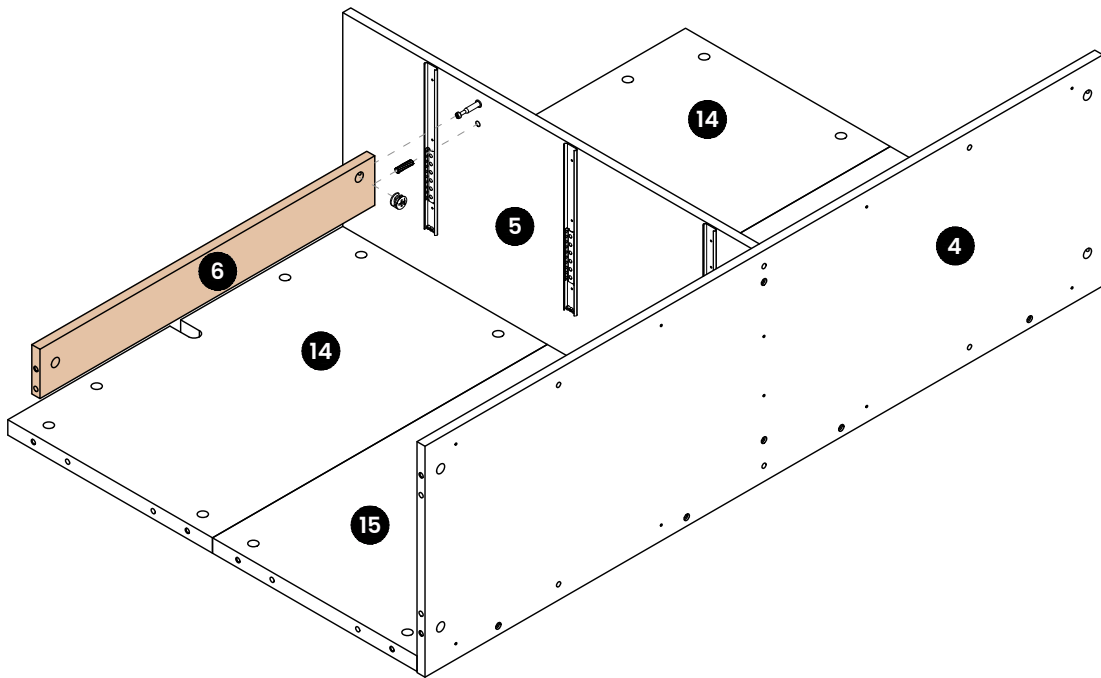
STEP 9



A X1



D X1



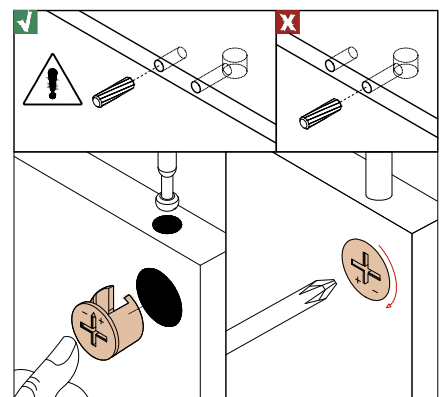
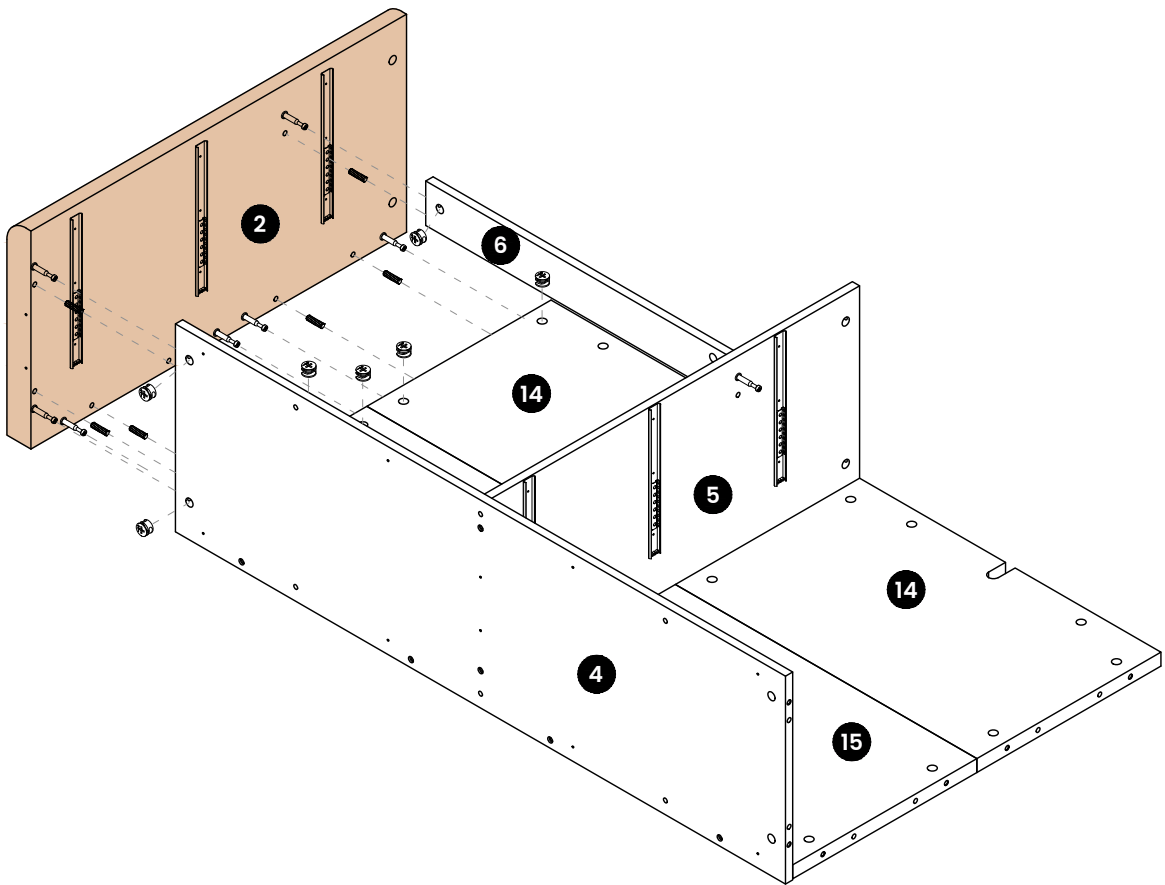
STEP 10



A X7



D X7



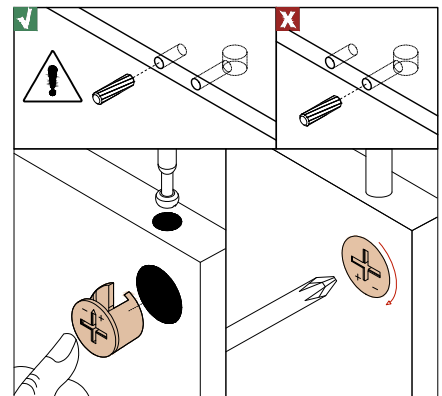
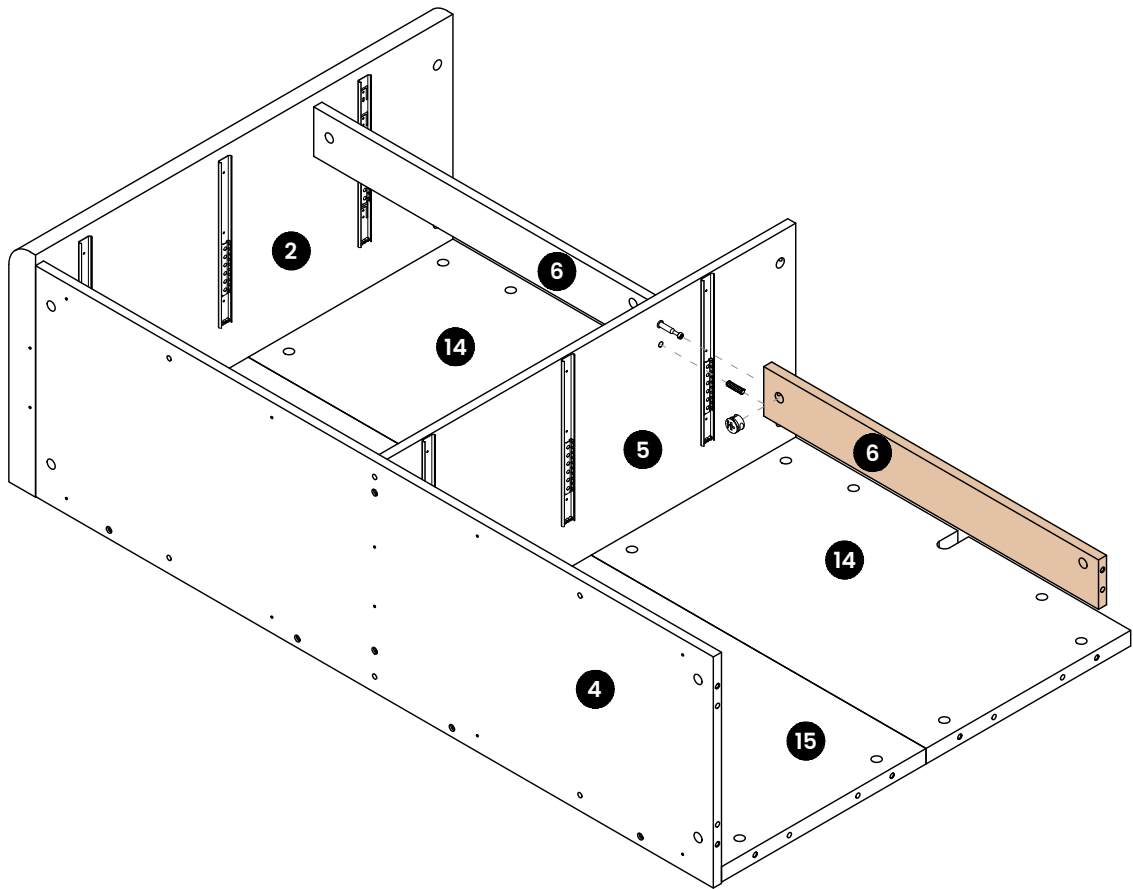
STEP 11



A X1



D X1



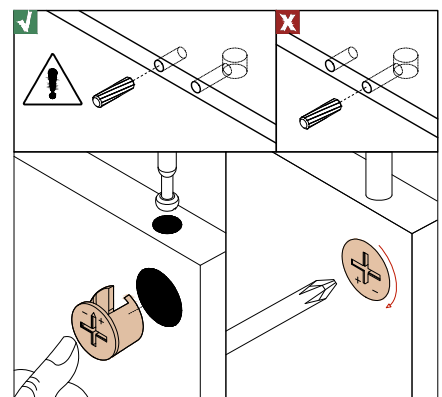
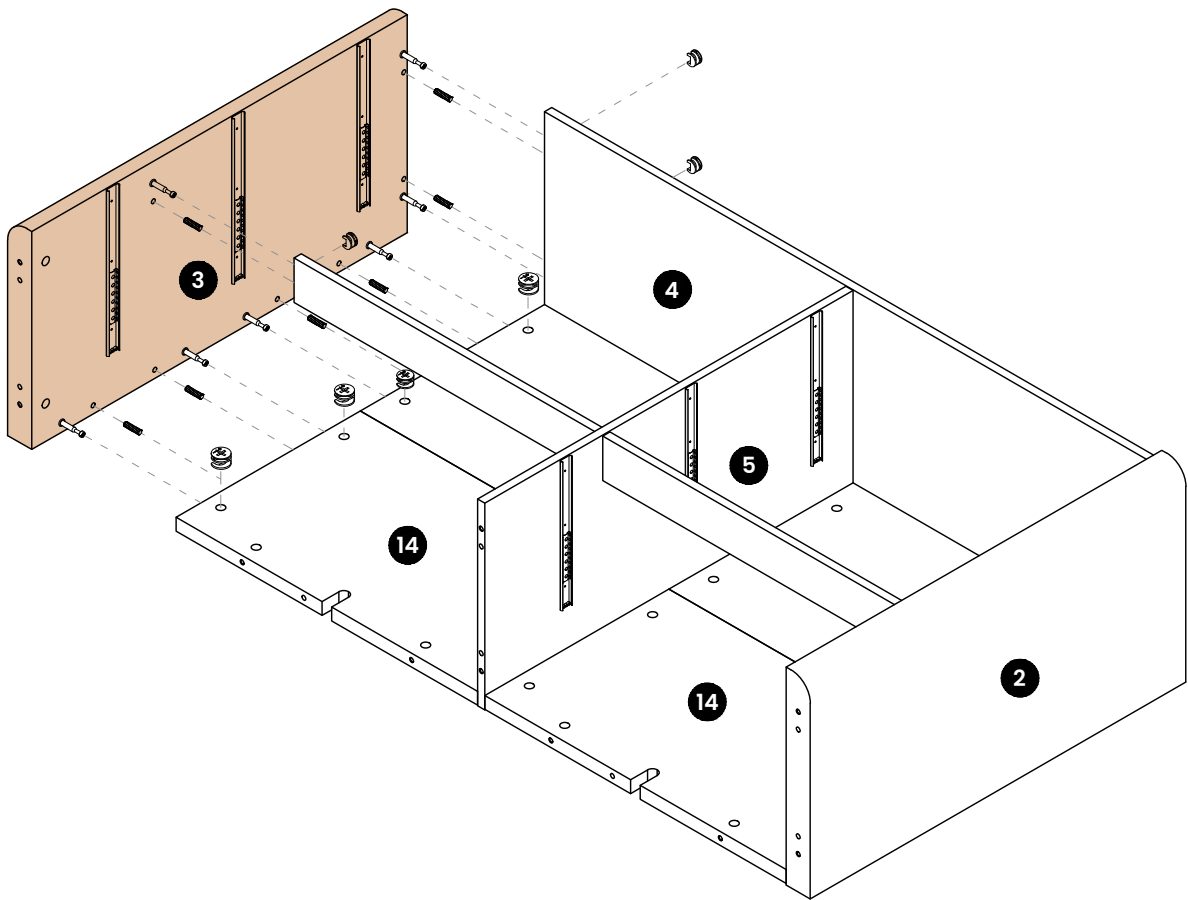
STEP 12



A X7



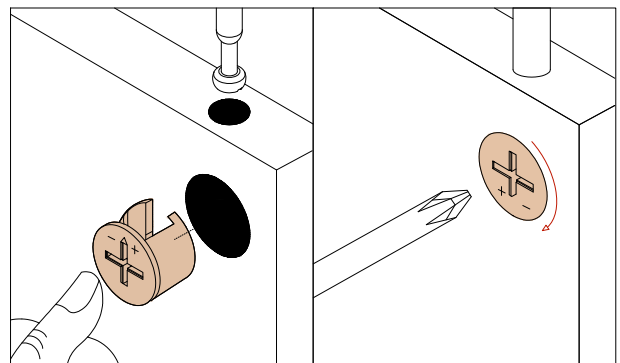
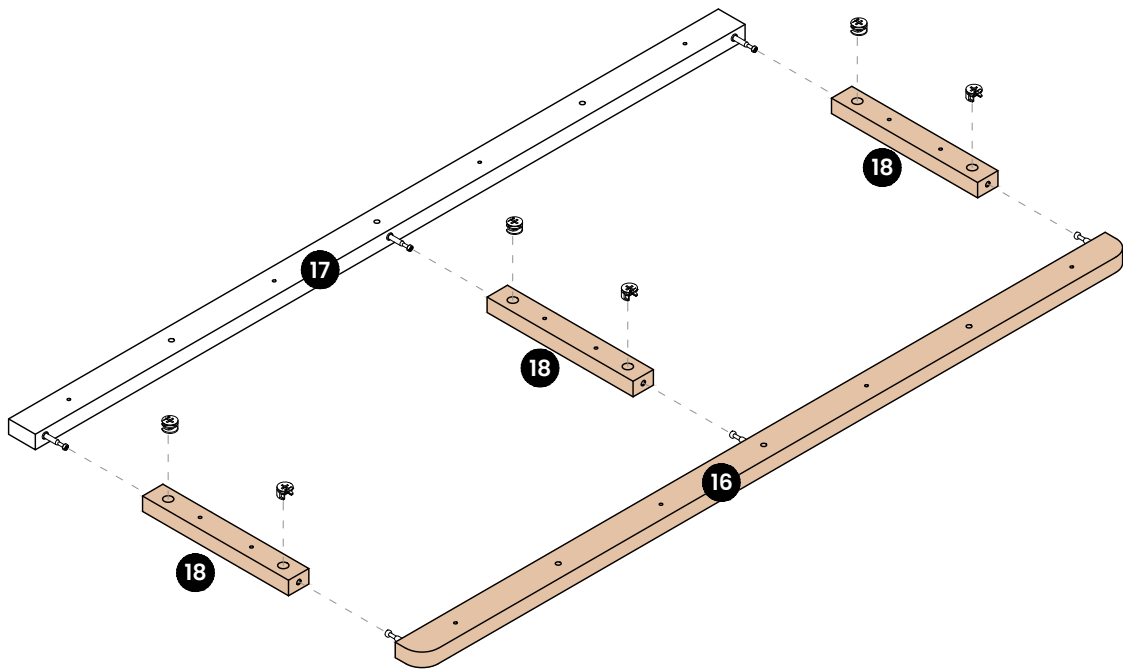
D X7



STEP 13



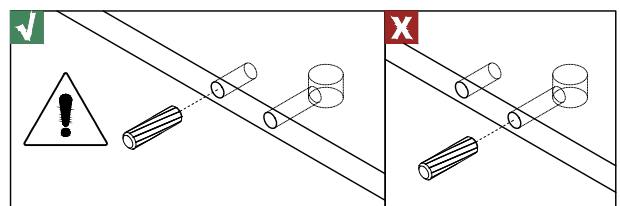
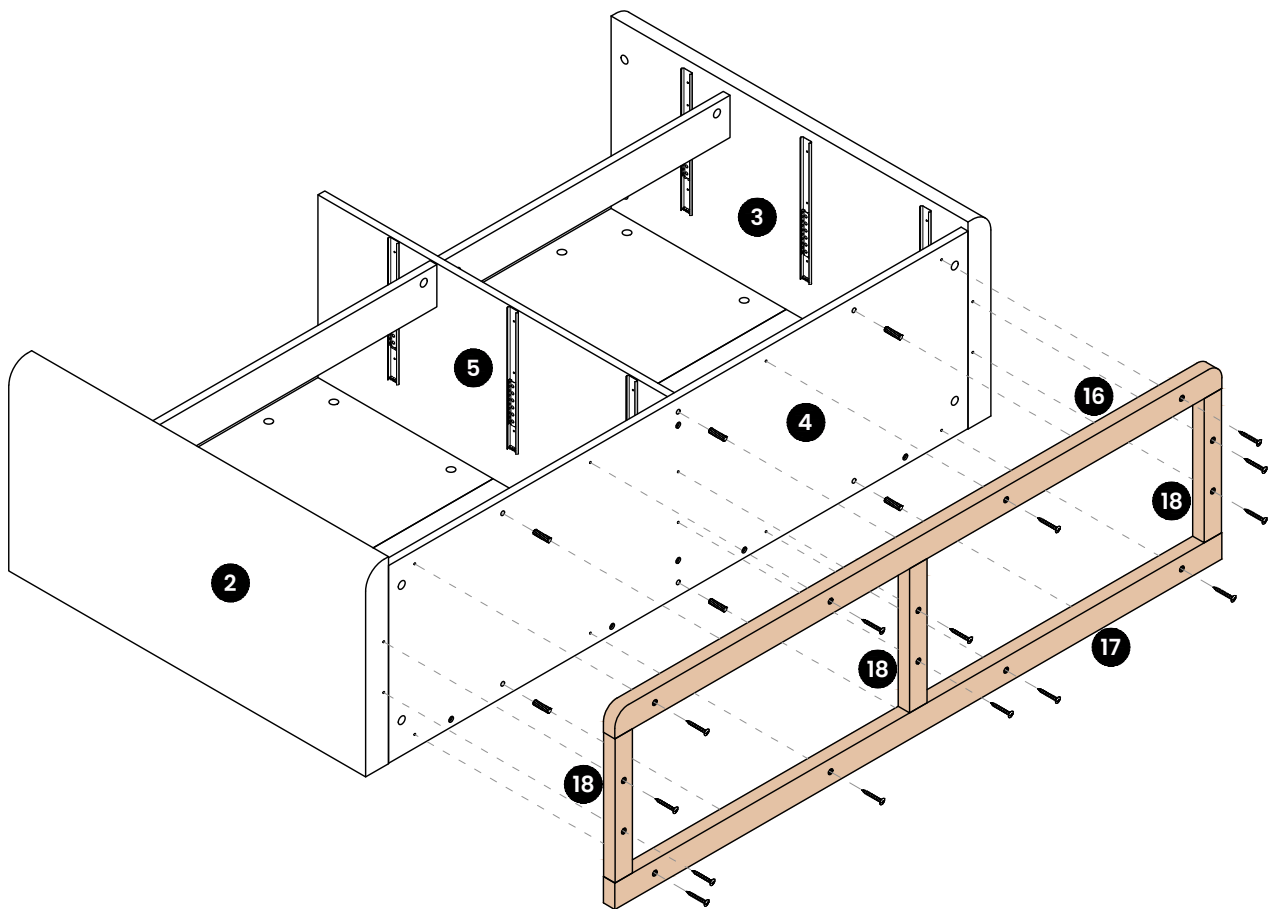
A X6



STEP 14

 **D** X6

 **K** X14



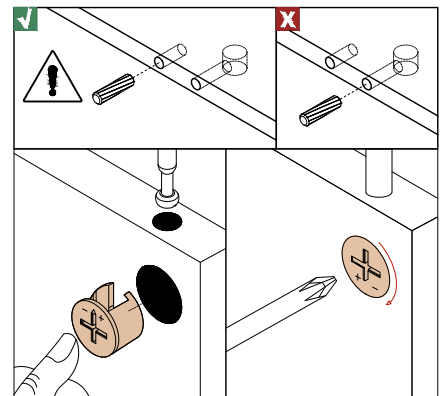
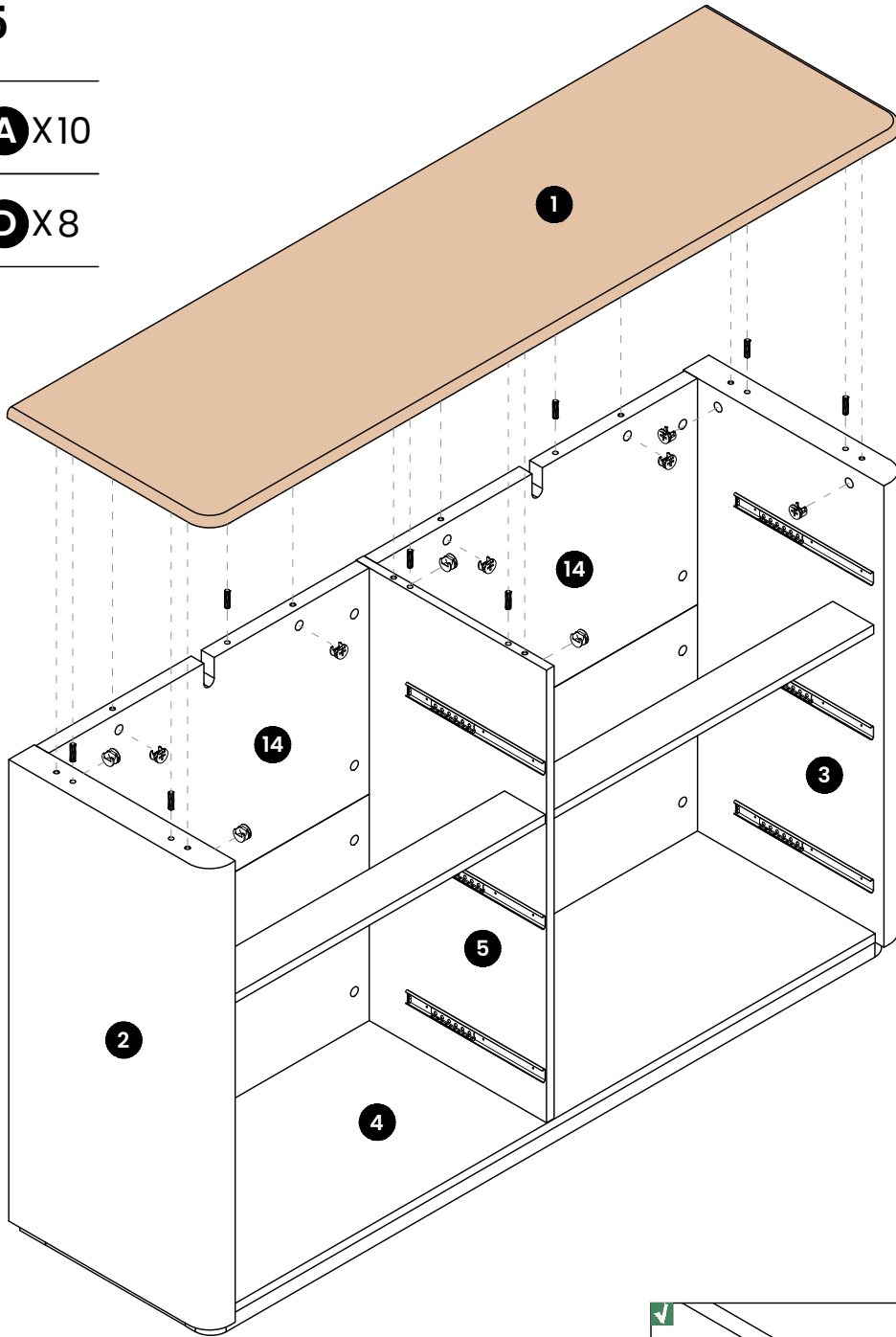
STEP 15



A X10



D X8



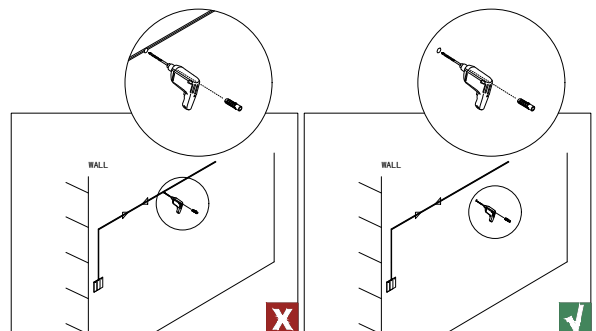
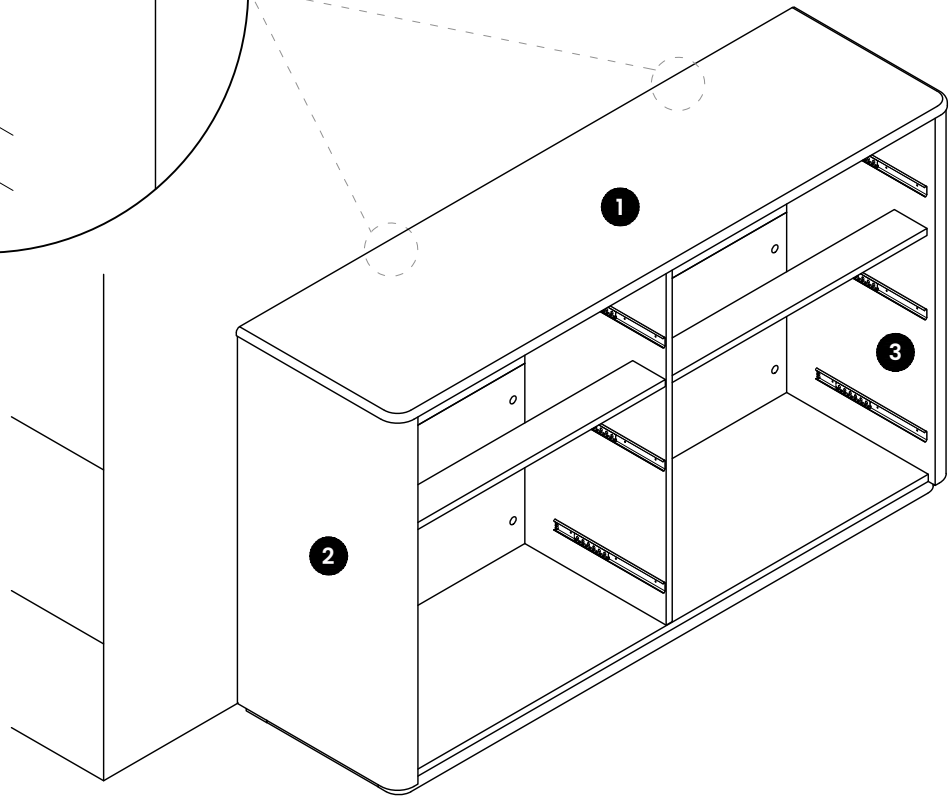
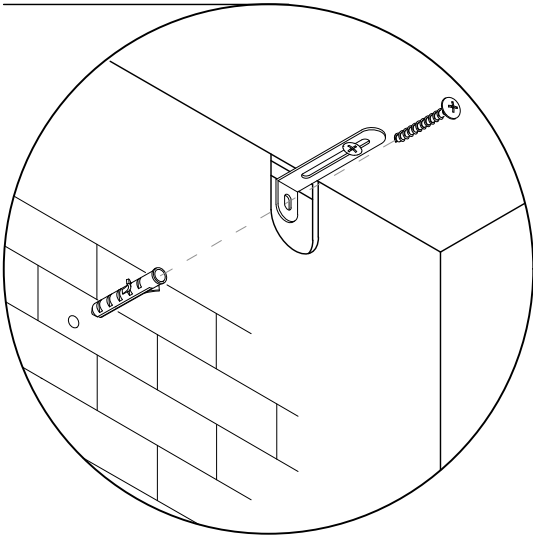
STEP 16

Wall-Mounted Installation

Step 1: Identify the correct location for the anti-tipping device on the wall and make a clear mark.

Step 2: Drill a hole, then fix the expansion plug firmly in the wall.

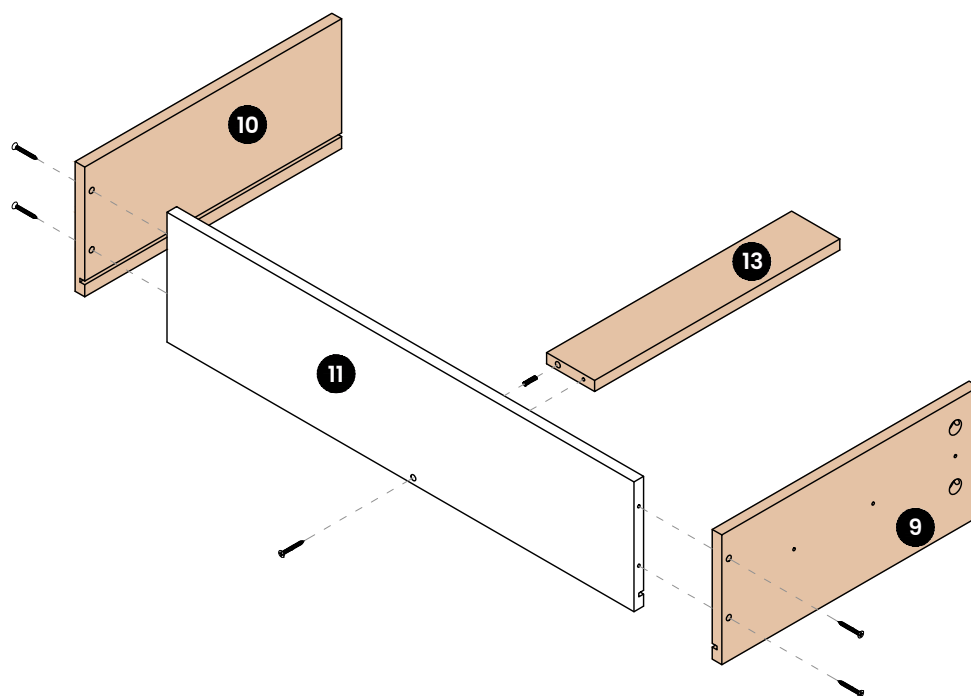
Step 3: Use screws to attach the L-shaped angle bracket to the wall.



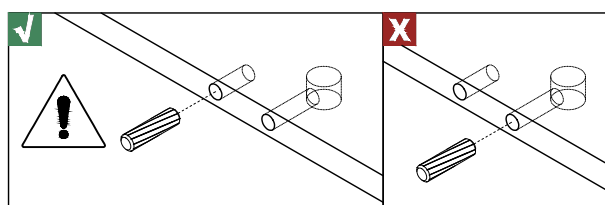
STEP 17

 **C** X6

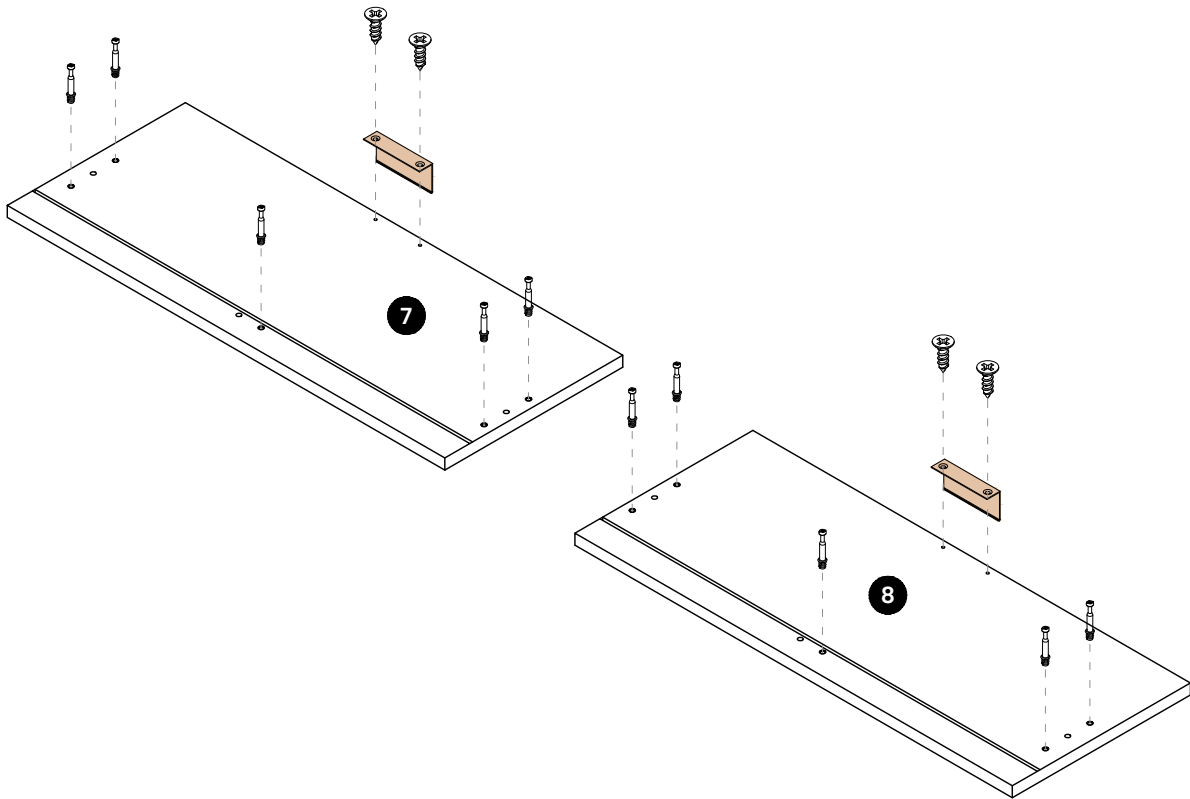
 **E** X30



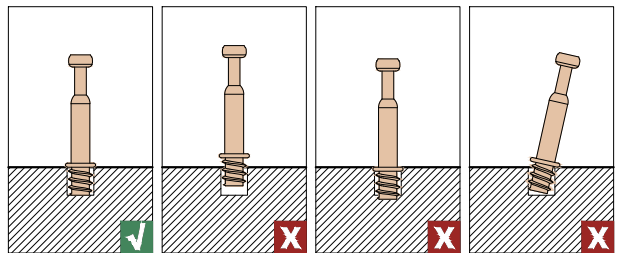
X6



STEP 18



X3



Install the screw correctly to secure the screw.

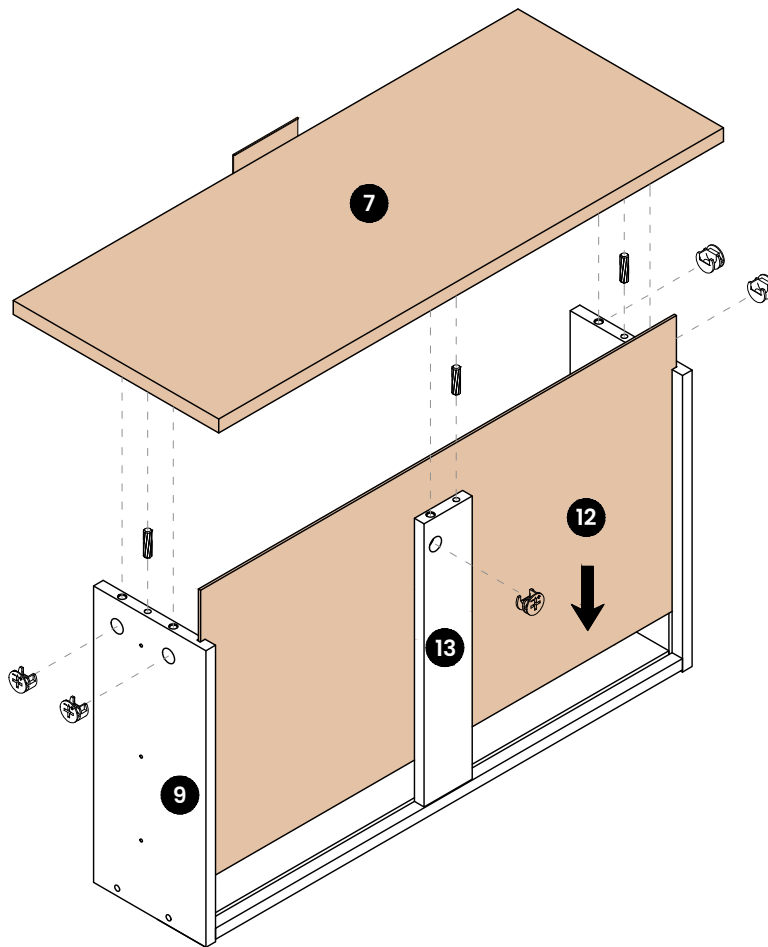
STEP 19



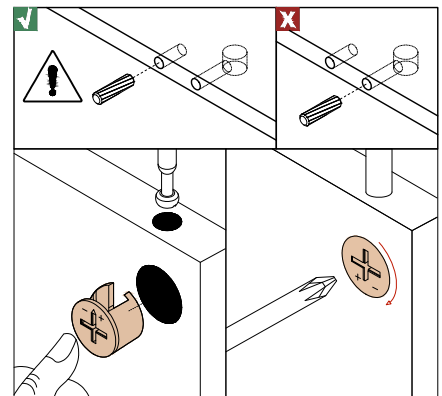
A X15



C X9



X3



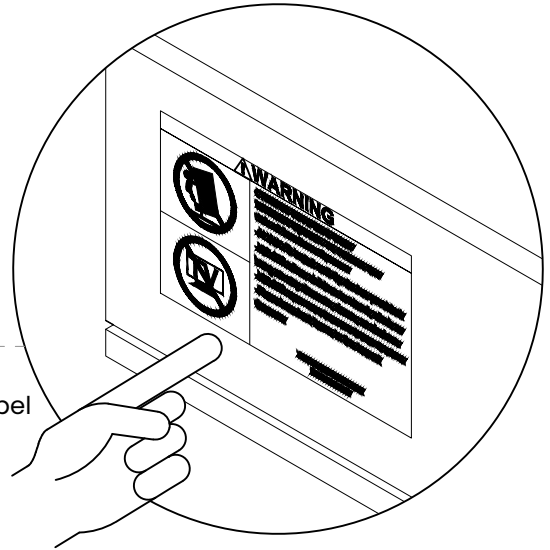
STEP 20



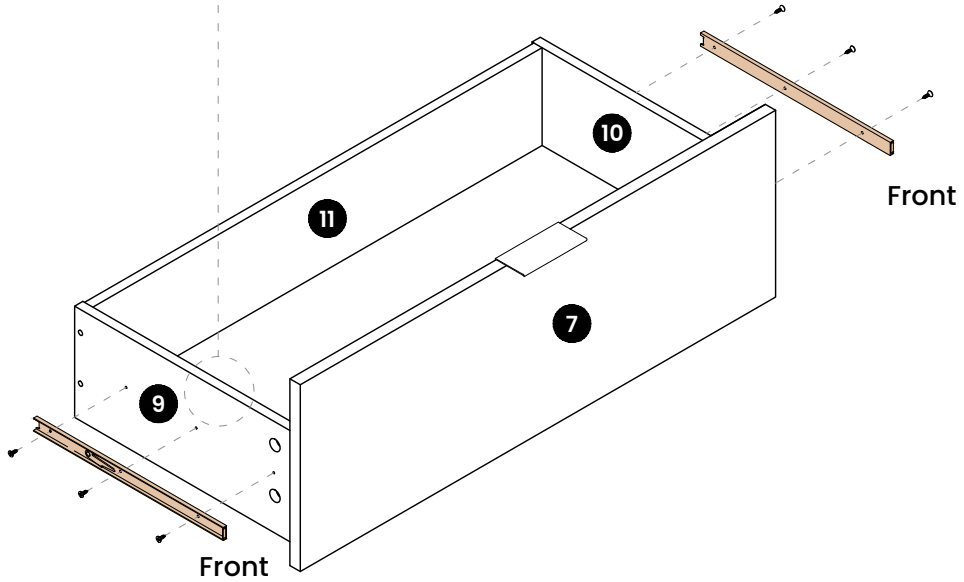
M X18



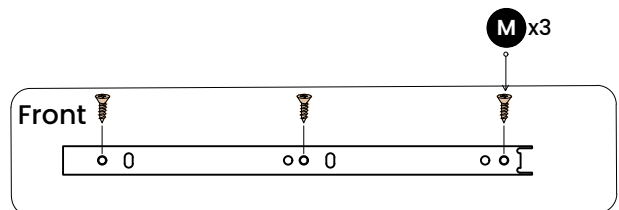
N X3



Inside
Only one label

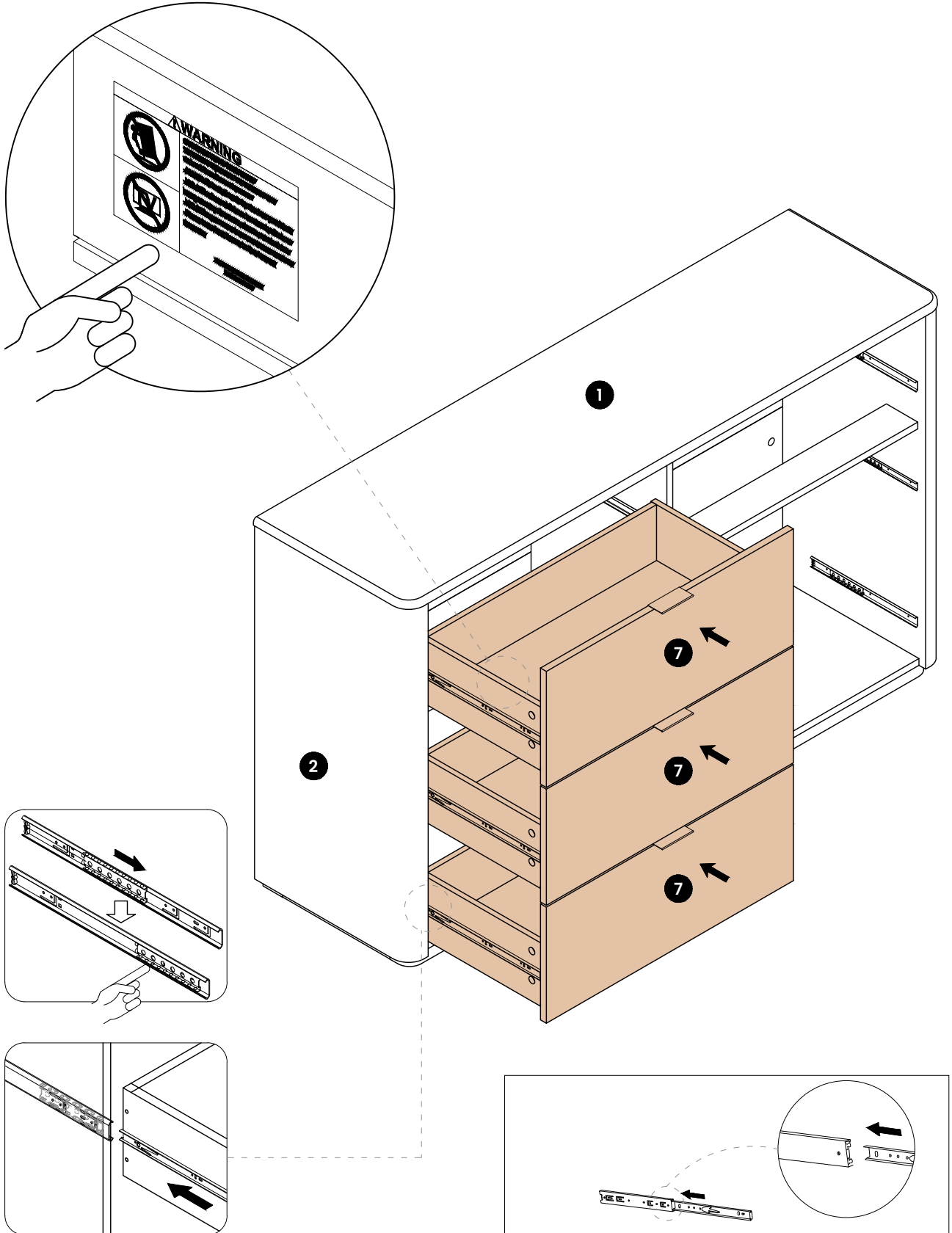


X3



⚠ Pay attention to the position of the screws

STEP 21



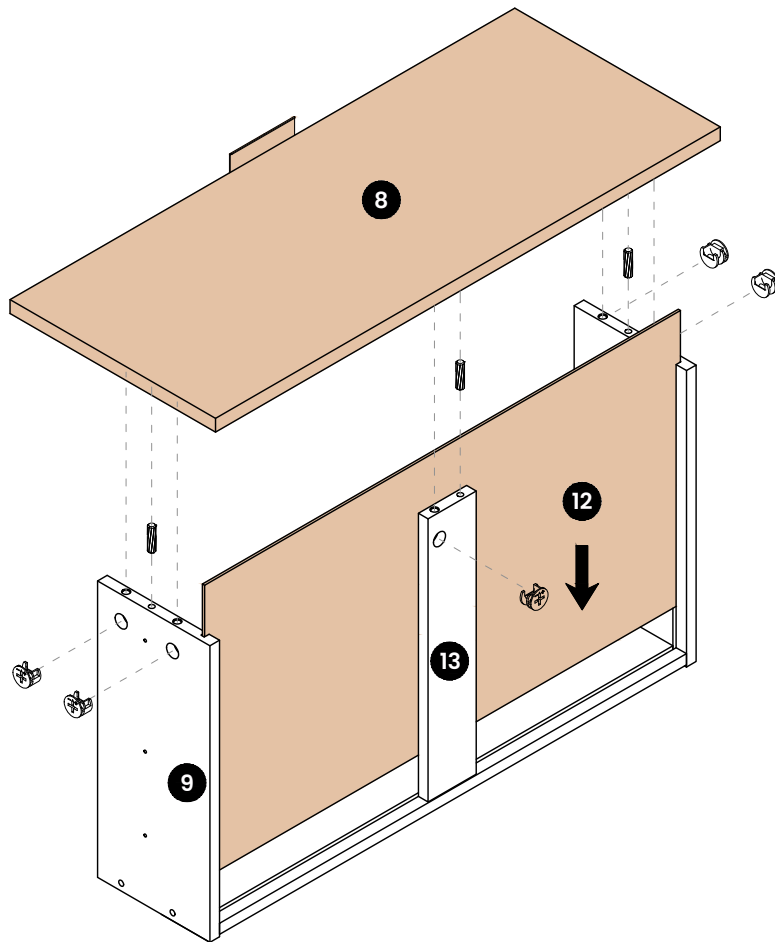
STEP 22



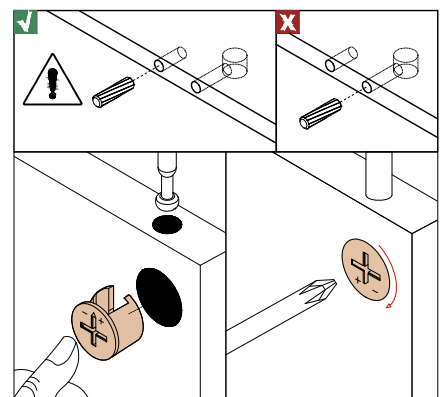
A X15



C X9



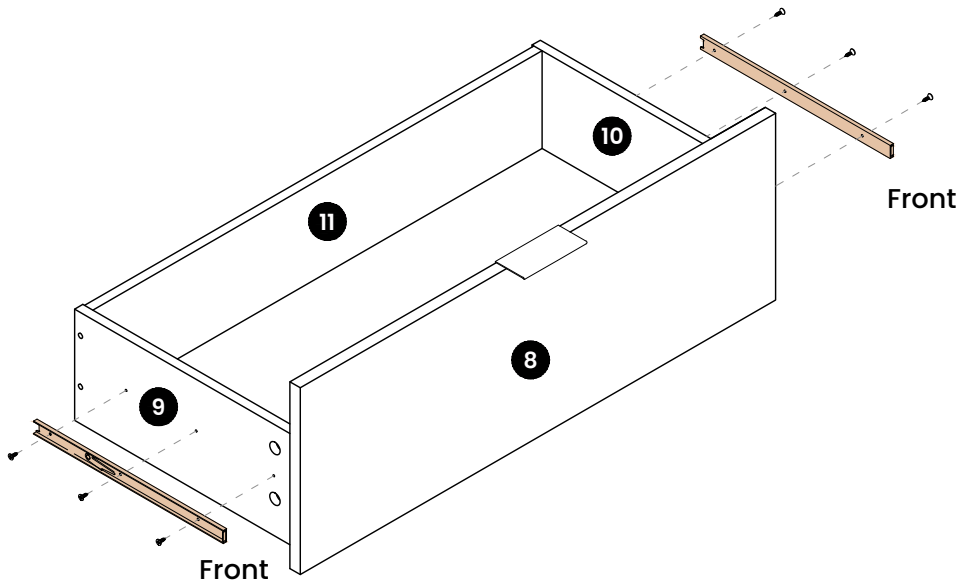
X3



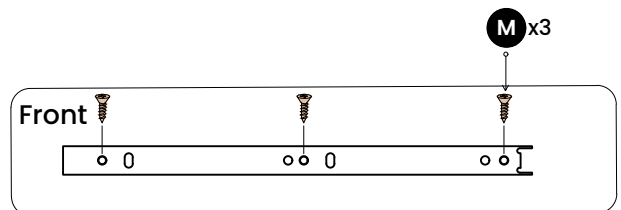
STEP 23


 **M** X18

 **N** X3

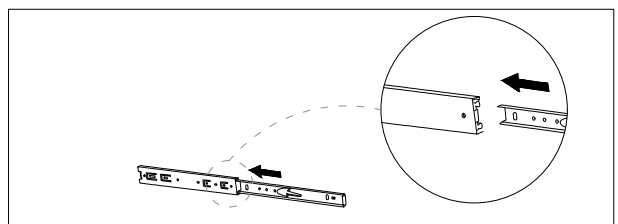
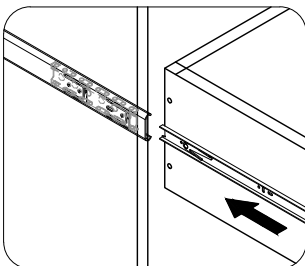
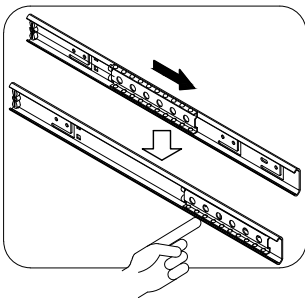
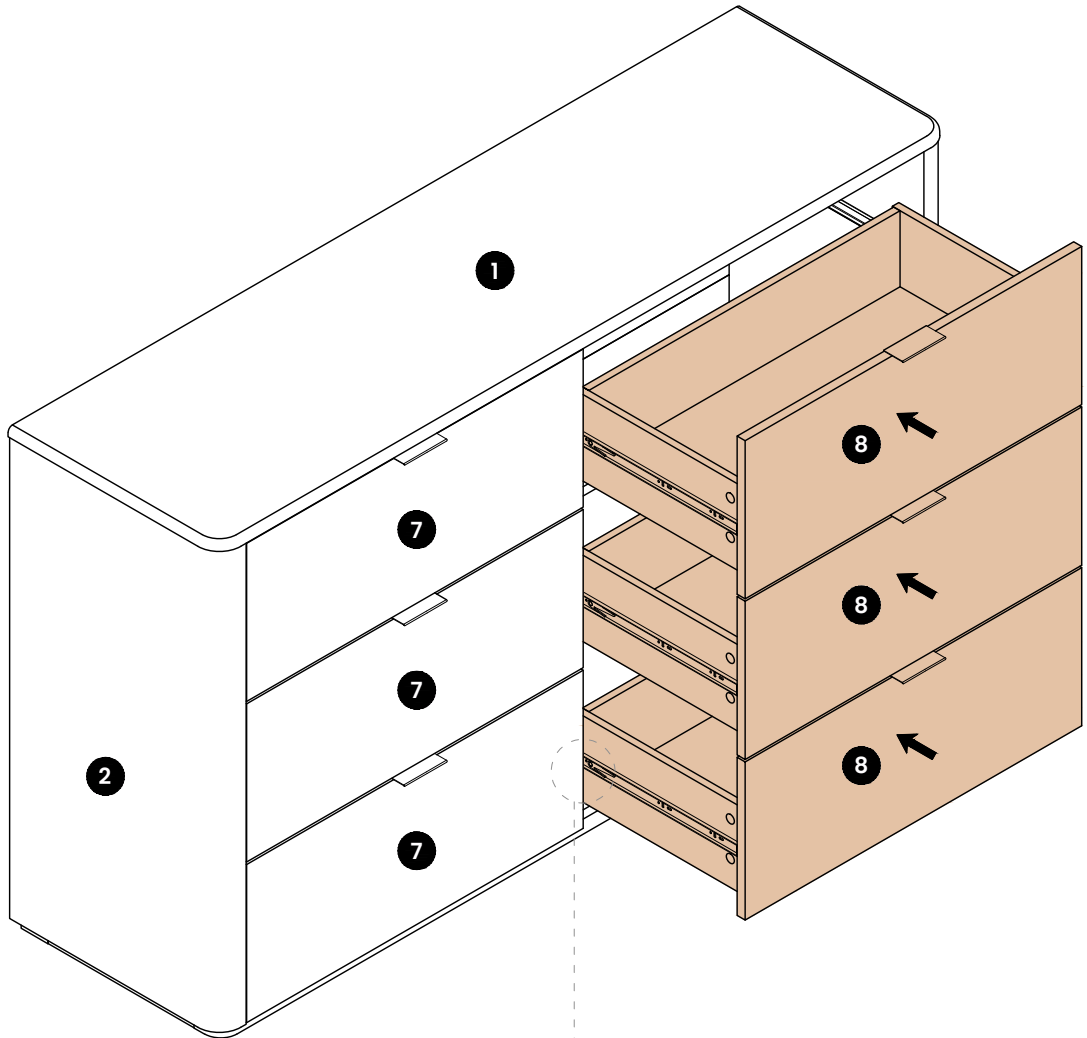


X3



 Pay attention to the position of the screws

STEP 24





After-Sales Service Hotline: (800) 661-5928