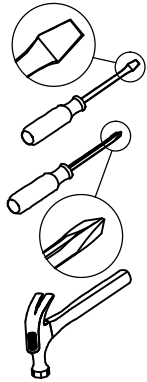


As this item contains many parts, please read the installation instruction carefully before installation . Please use tools properly and carefully. If you have any questions about the product and installation, please contact us.

Our professional after-sales team will serve you online all day.

---

# Before You Start



- ✓ Read through each step carefully and follow the proper order
- ✓ Separate and count all your parts and hardware
- ✓ Give yourself enough room for the assembly process
- ✓ Have the following tools: Flat Head Screwdriver, #2 Phillips Head Screwdriver
- ✓ Caution: If using a power drill or power screwdriver for screwing, please be aware of to slow down and stop when screw is tight. Failure to do so may result in stripping the screw.

# Helpful Hints

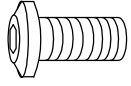
## PEOPLE NEEDED FOR ASSEMBLY: 2

---

- Open your item in the area you plan to keep it to avoid excessive heavy lifting.
- Identify, sort and count the parts before attempting assembly.
- Do NOT use harsh chemicals or abrasive cleaners on this item.
- Never push, pull, or drag your furniture.



# Part List

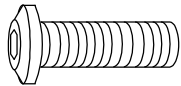


M8X12

(A)

X14

BOLT  
spare:0

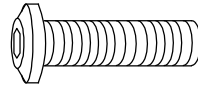


M8X20

(B)

X72

BOLT  
spare:5

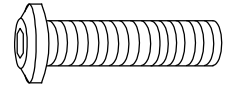


M8X25

(C)

X18

BOLT  
spare:2

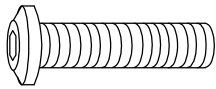


M8X40

(D)

X9

BOLT  
spare:0



M8X45

(E)

X12

BOLT  
spare:2



M8XØ22

(F)

X4+14

GASKET  
spare:1

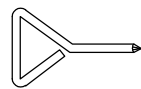


M4\*12

(H)

X2

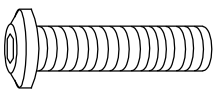
spare:1



(I)

X1

SPANNER

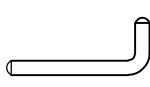


M8X55

(M)

X1

BOLT  
spare:1



M5/M8

(K)

X1

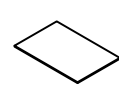
SPANNER



(N)

X1

SPANNER



(P)

X2

NOISE-REDUCTION PAD



M8

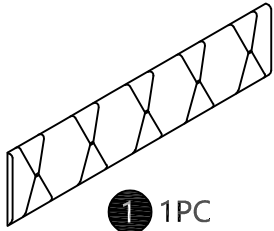
(W)

X2

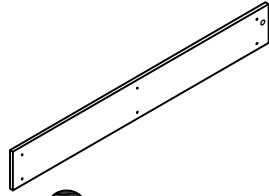
spare:2



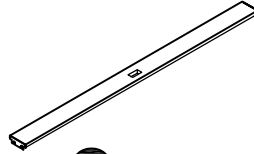
# Part List



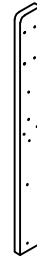
1 1PC



2 1PC



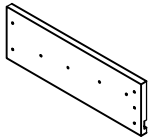
3 1PC



4 1PC



5 1PC



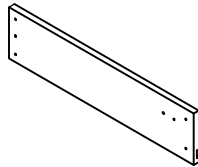
6 1PC



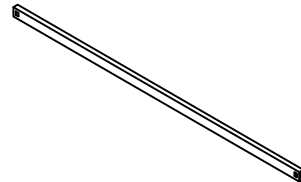
7 1PC



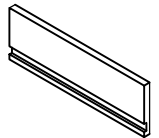
8 1PC



9 1PC



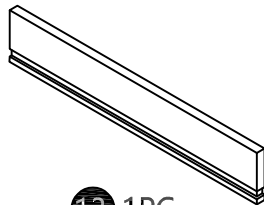
10 11PCS



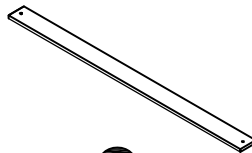
11 1PC



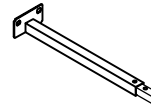
12 1PC



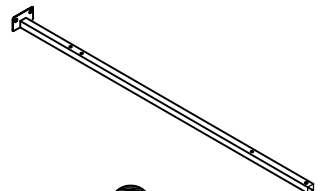
13 1PC



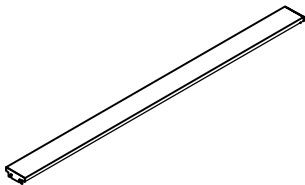
14 1PC



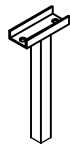
15 1PC



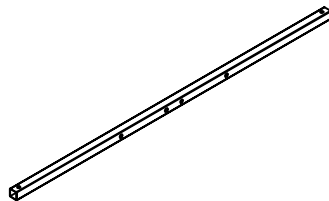
16 1PC



17 1PC



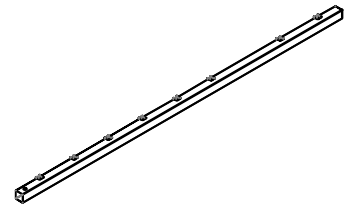
18 2PCS



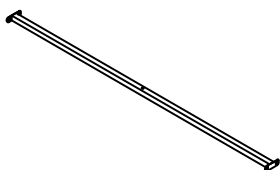
19 2PCS



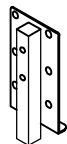
20 1PCS



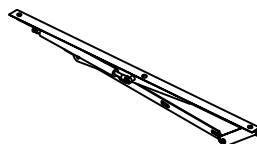
21 1PCS



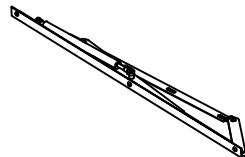
22 1PC



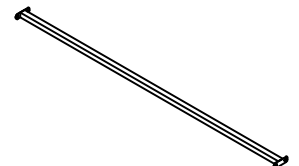
23 2PCS



R 1PC

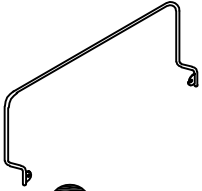


L 1PC



26 1PC

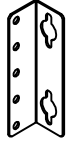
# Part List



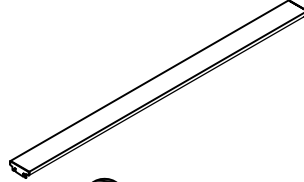
27 1PC



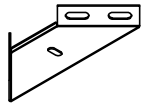
28 1PC



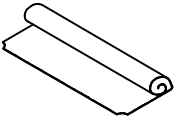
29 4PCS



30 1PC



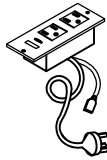
31 2PCS



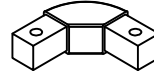
32 1PC



33 2PCS



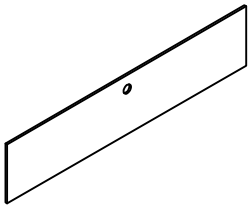
34 1PC



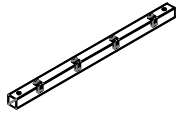
35 4PCS



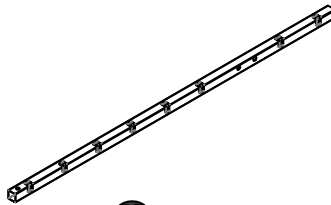
36 2PCS



37 1PC



38 1PC



39 1PC



40 1PC



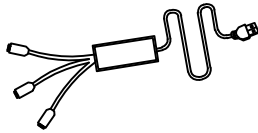
41 1PC



42 2PCS

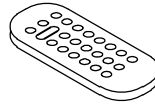


43 1PC



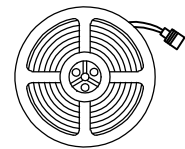
Power cord

44 1PC



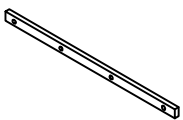
Remote control

45 1PC

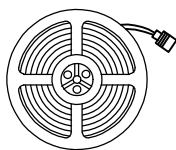


Light strip

46 2PCS

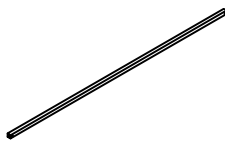


47 2PC



Light strip

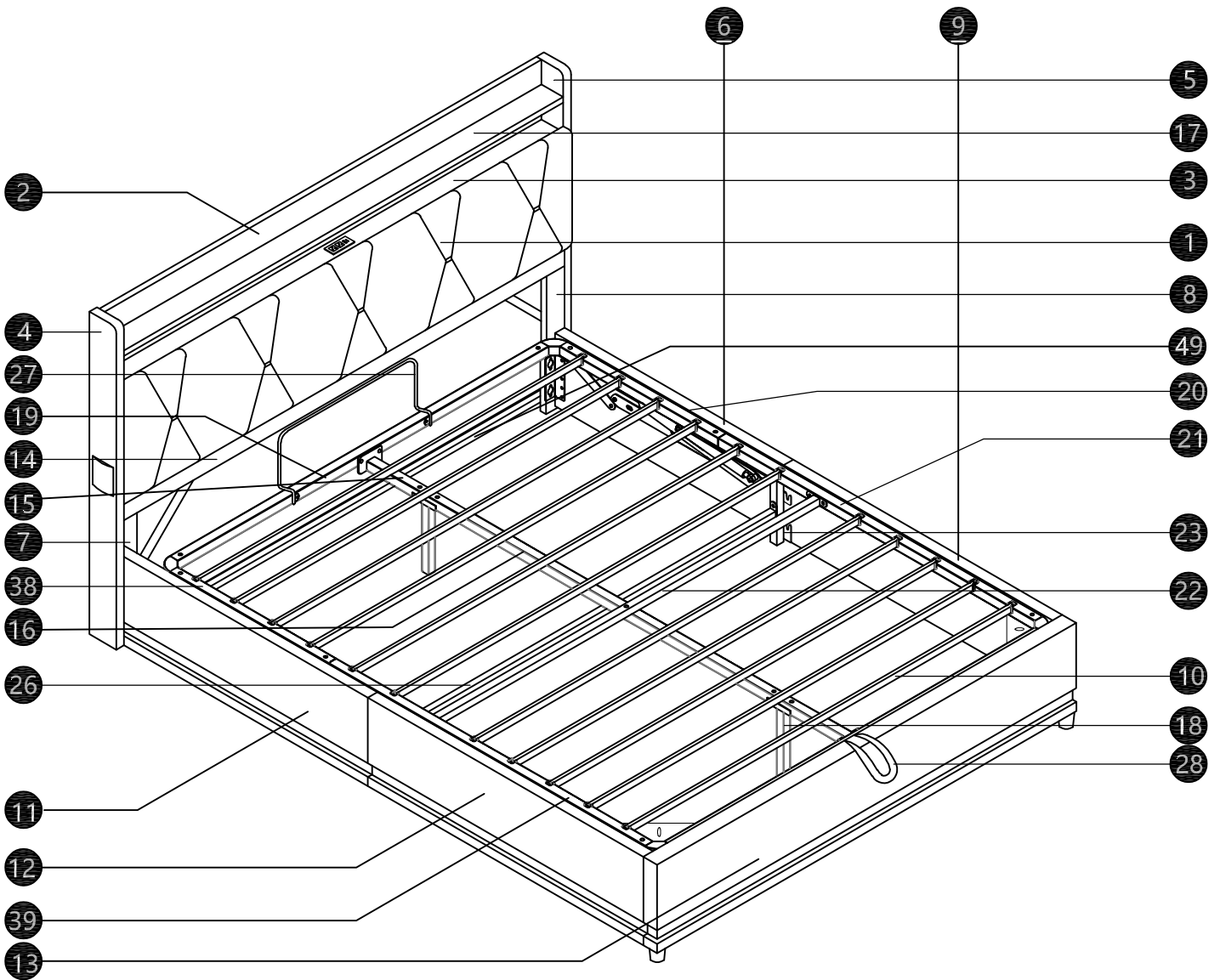
48 1PCS



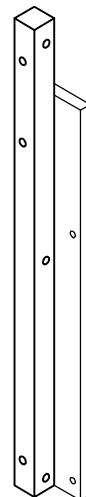
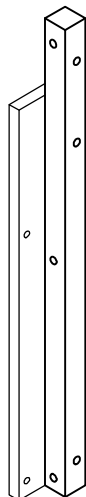
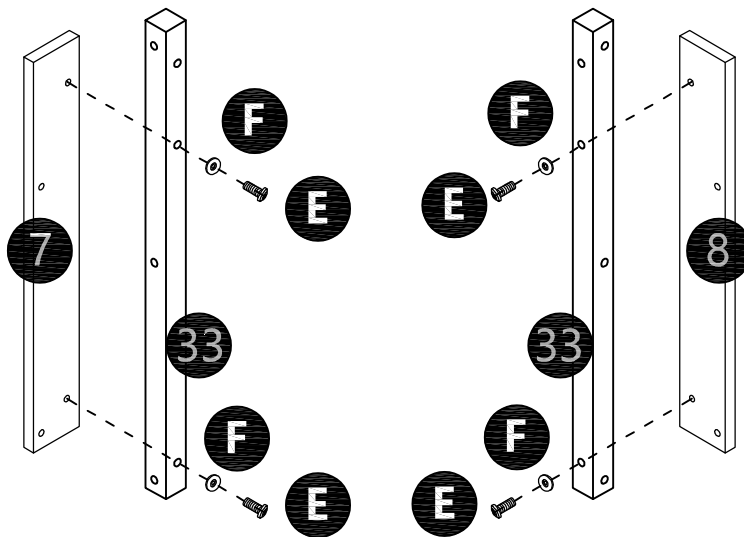
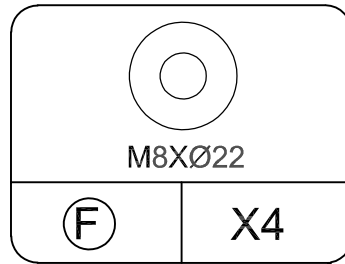
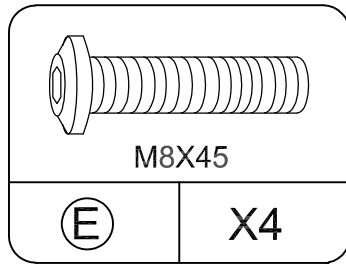
49 1PCS

# Board Identification

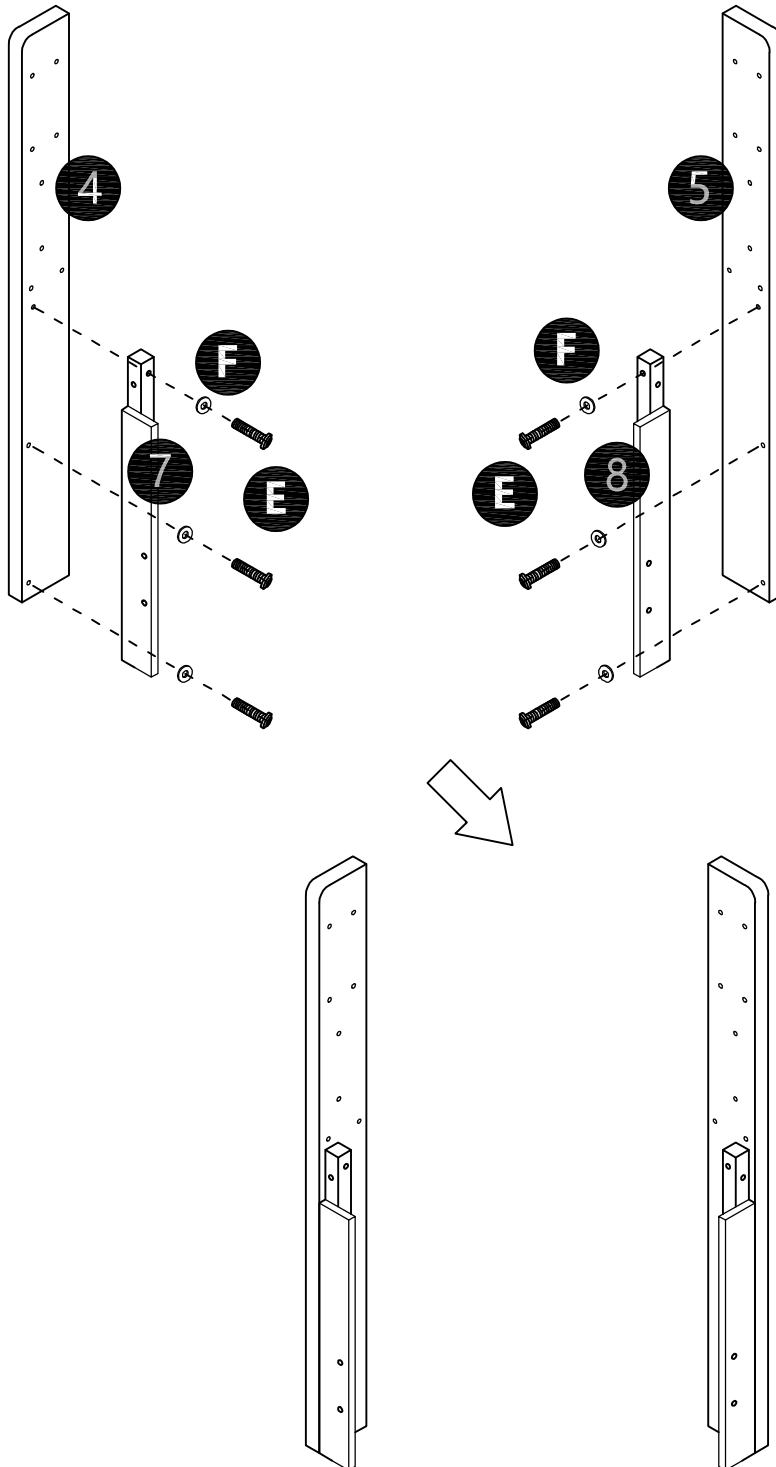
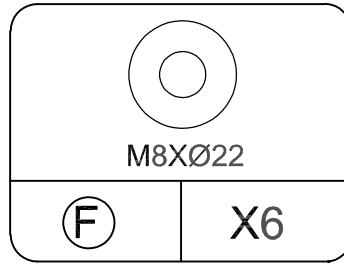
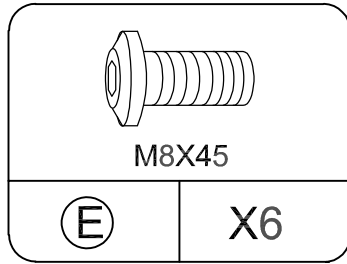
Not actual size



# STEP1

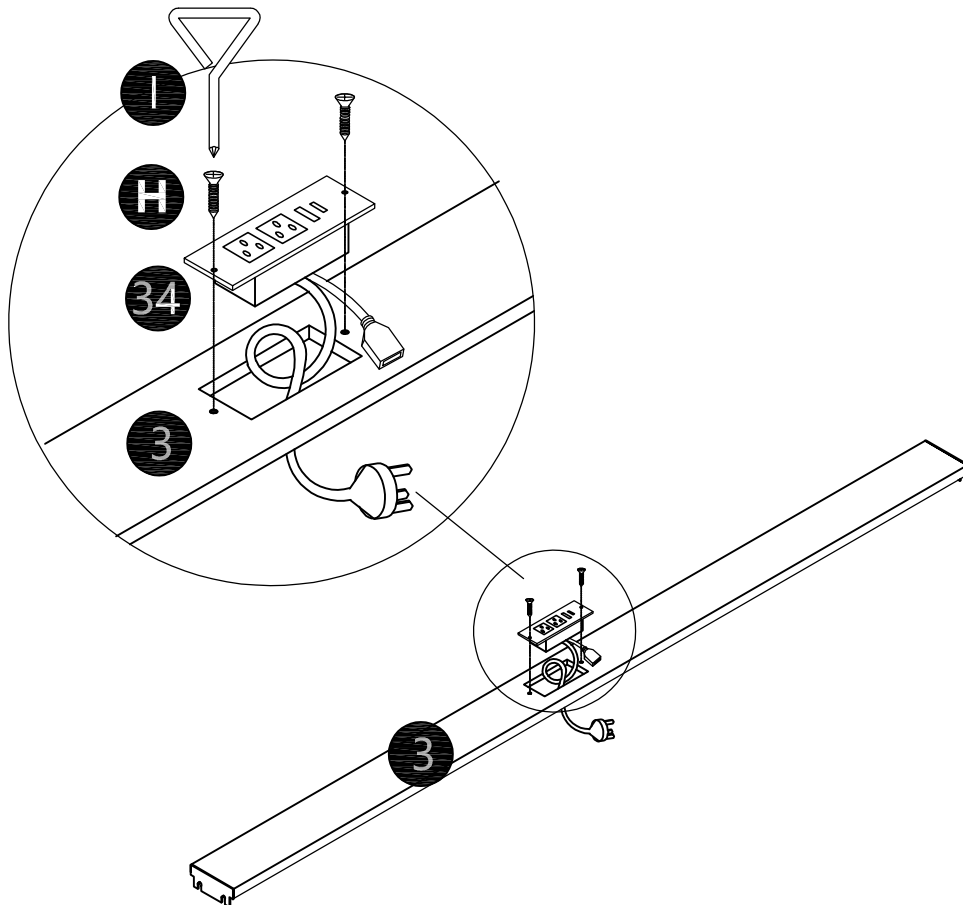
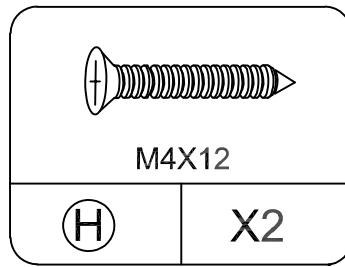


# STEP2

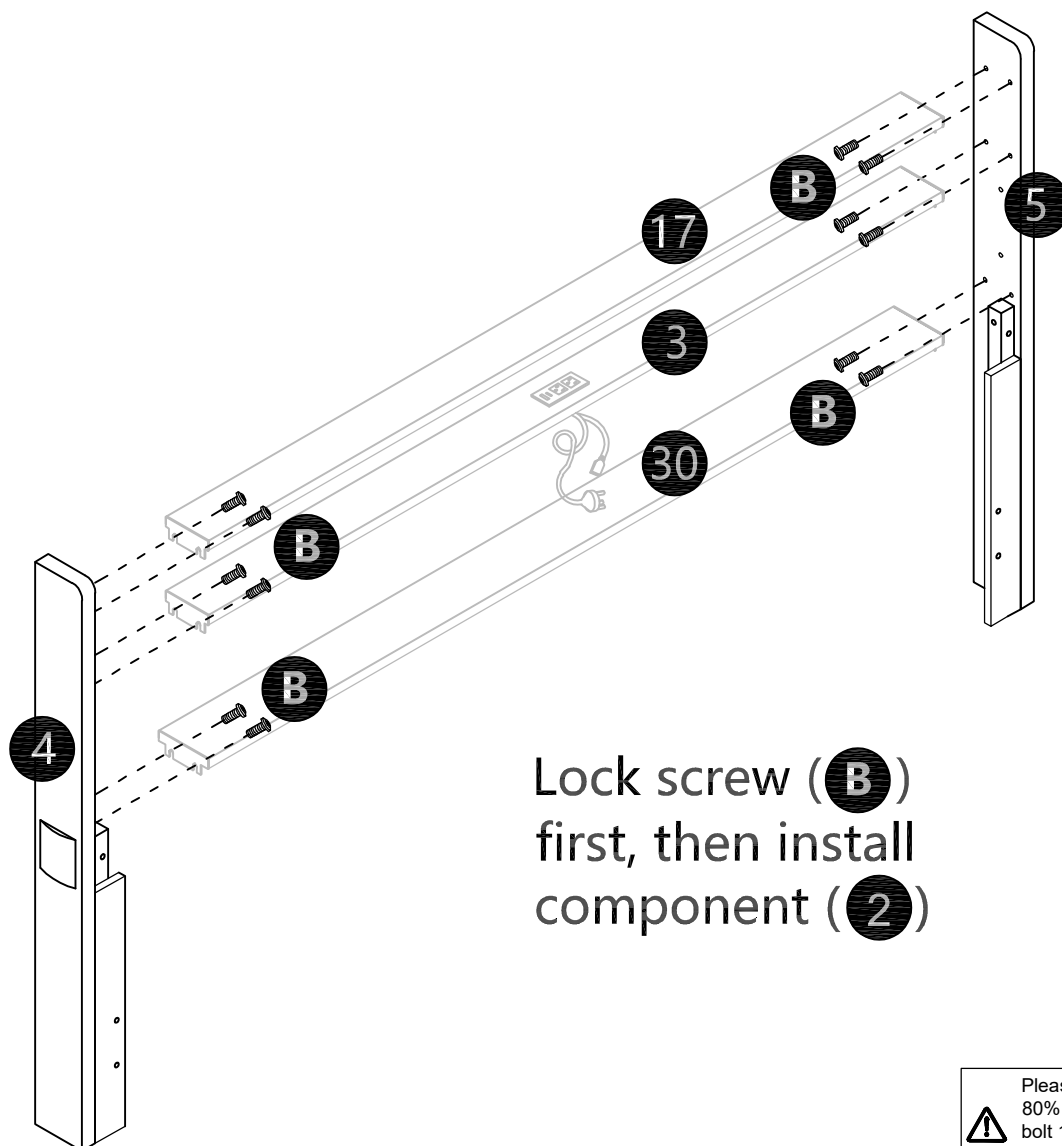
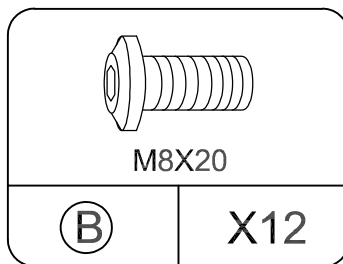


# STEP 3

---



# STEP 4

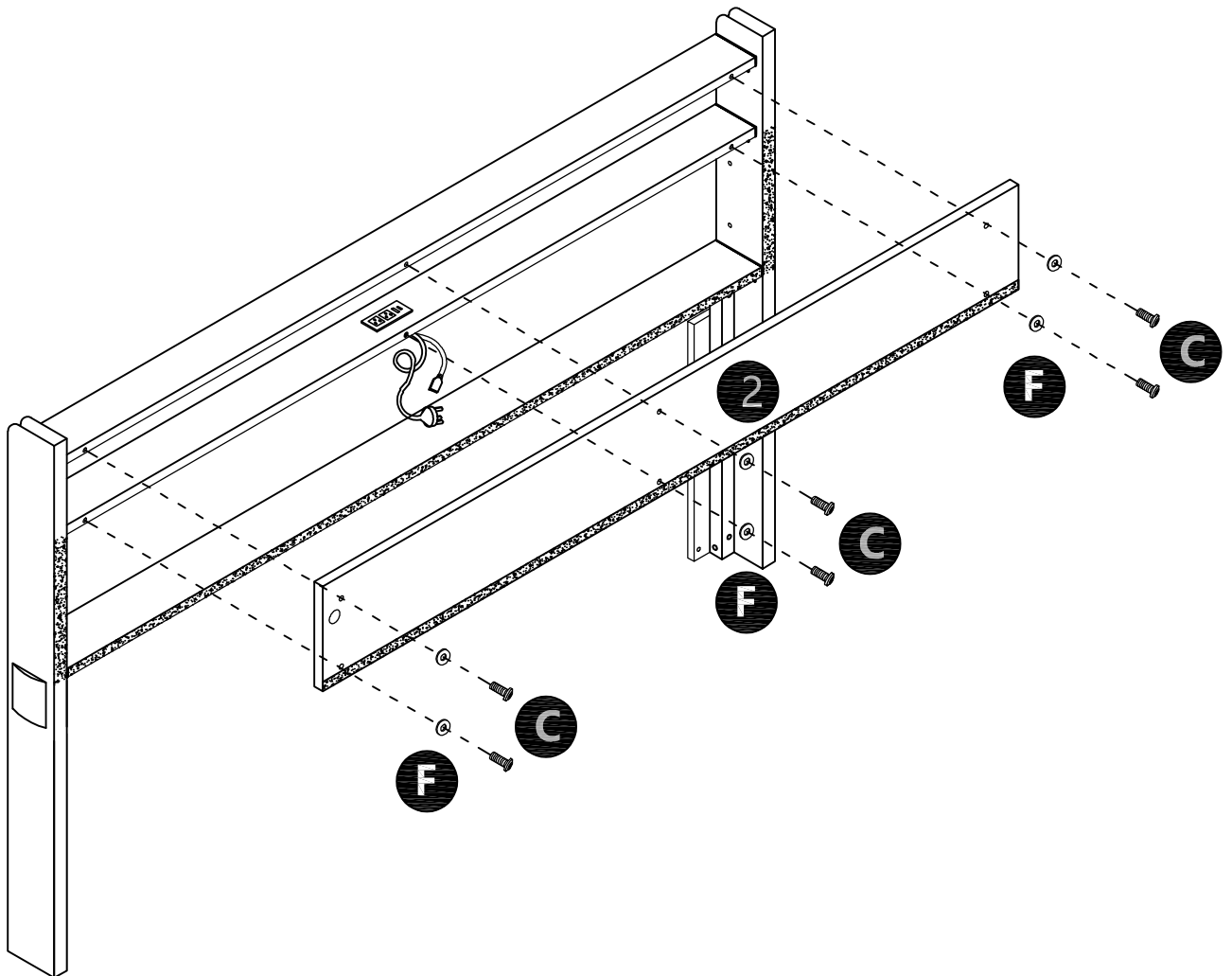
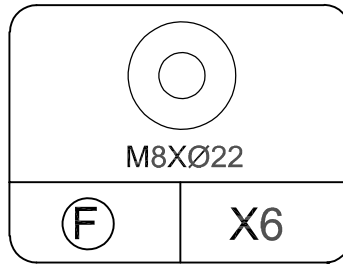
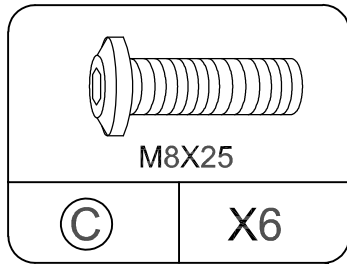


Lock screw (B)  
first, then install  
component (2)

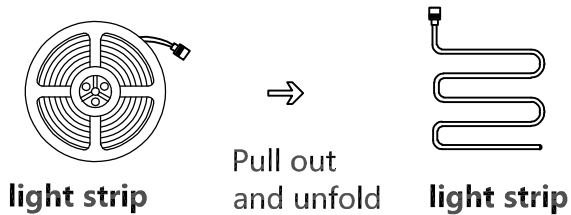
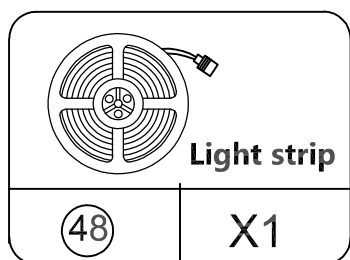
⚠ Please tighten the bolt to 80% first, and tighten all bolt 100% after all parts are assembled.

--	--

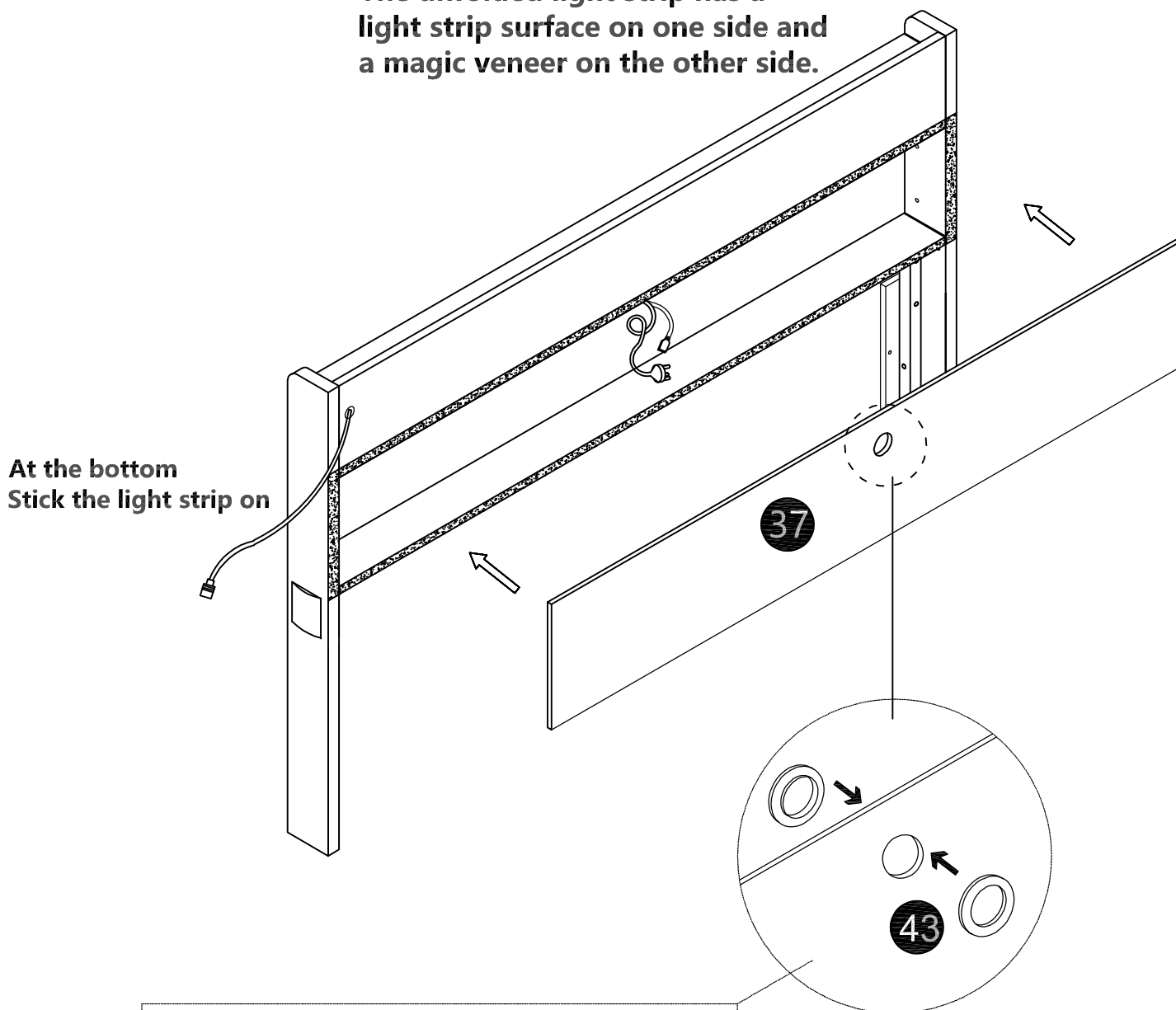
# STEP 5



# STEP6



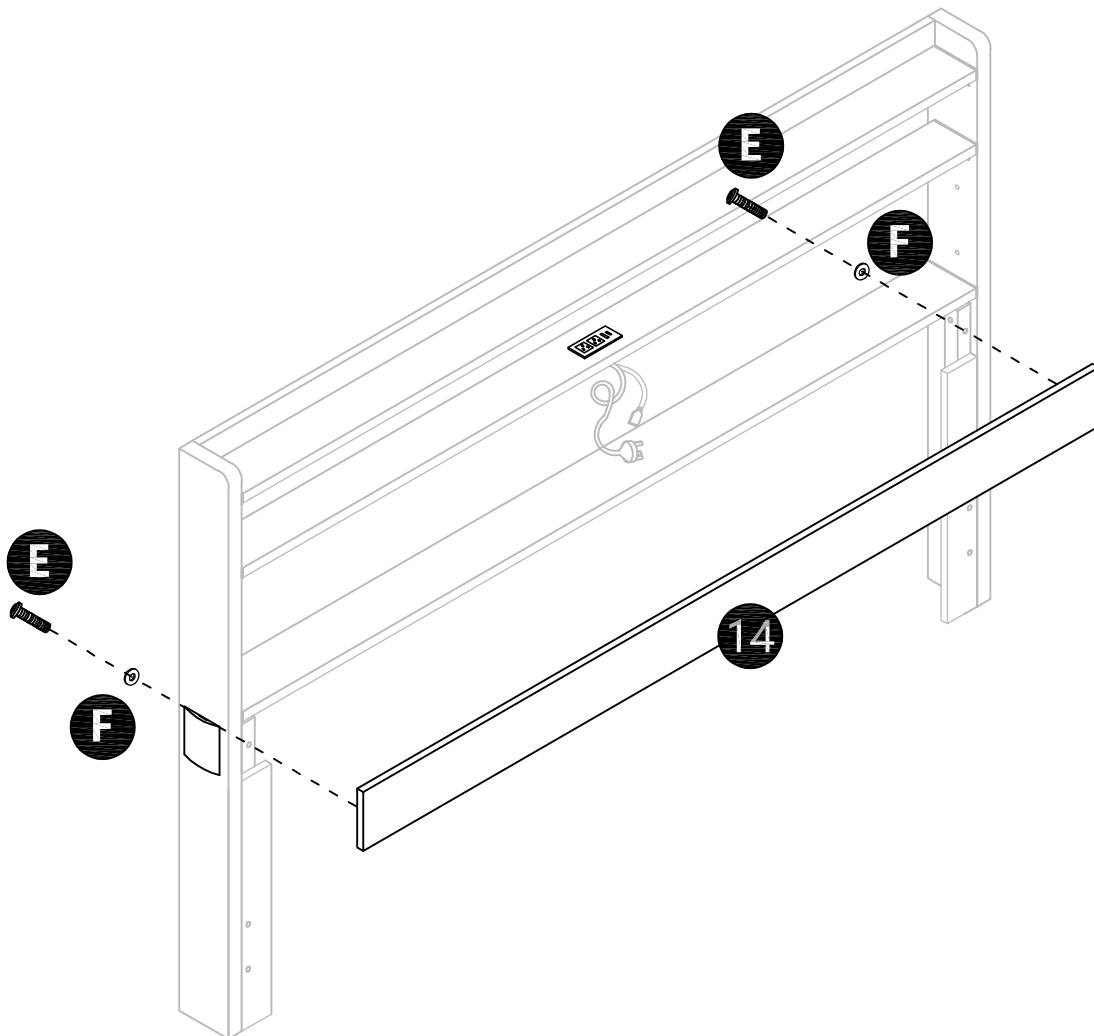
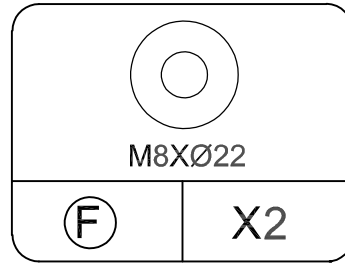
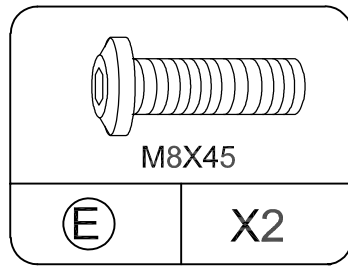
The unfolded light strip has a light strip surface on one side and a magic veneer on the other side.



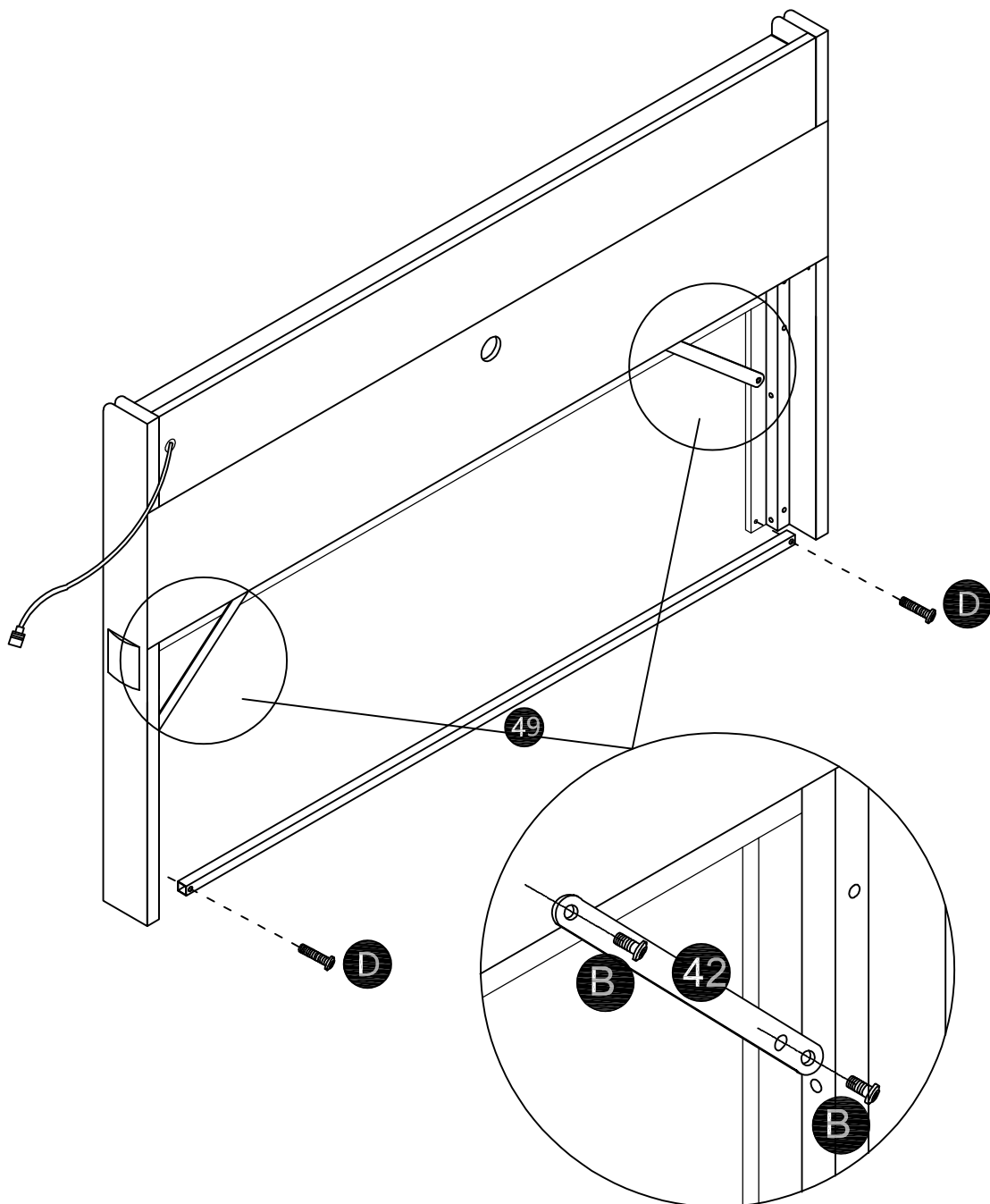
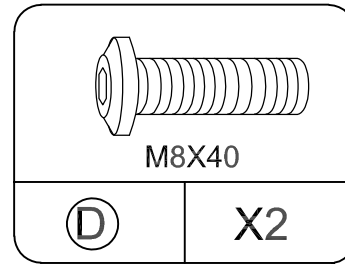
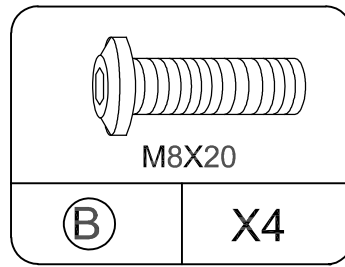
- NO.1 Open accessory( 43 )
- NO.2 Place them separately on the front and back of the ( 37 ) hole and press them tightly

# STEP 7

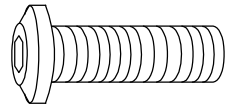
---



# STEP 8



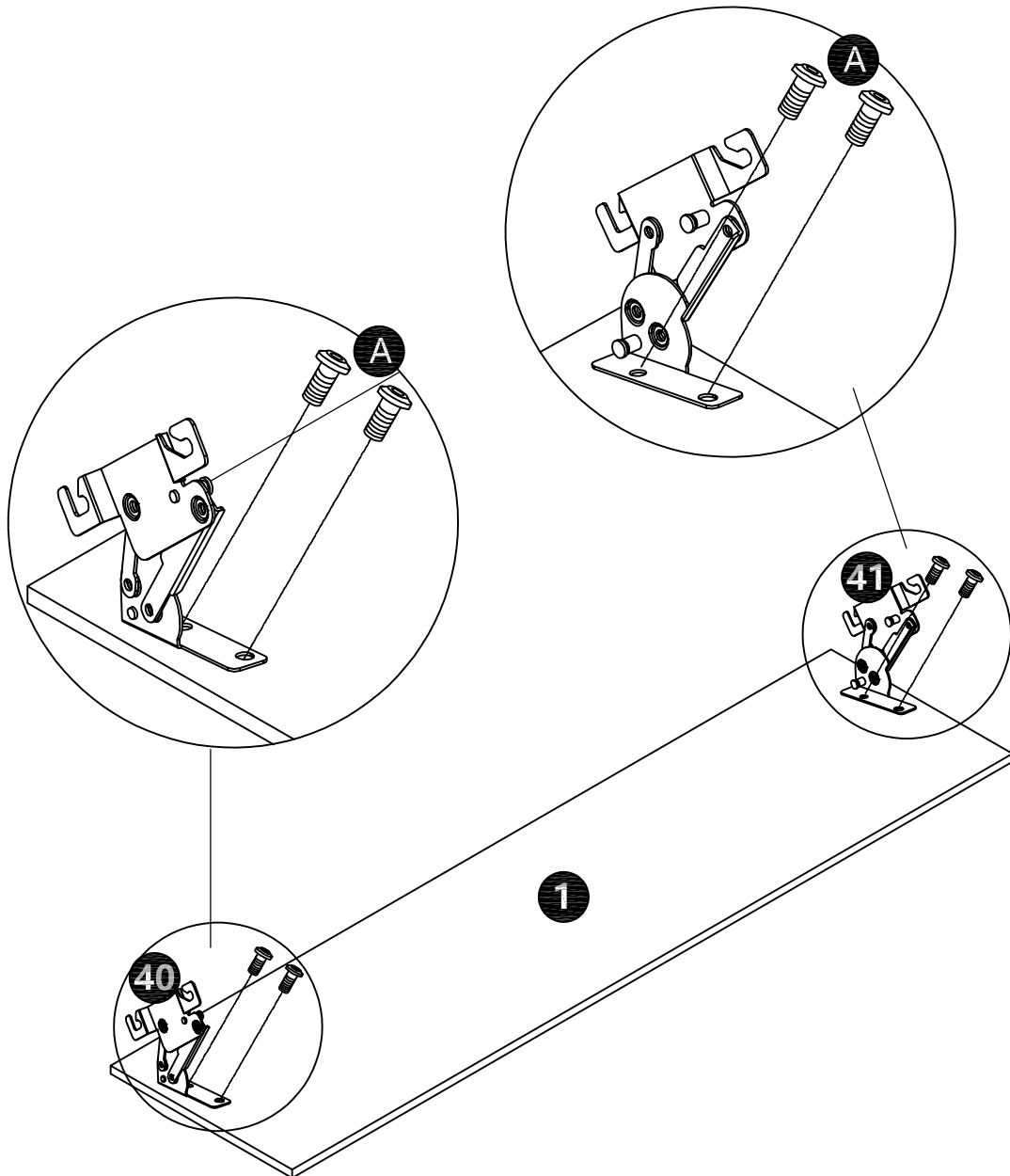
# STEP 9



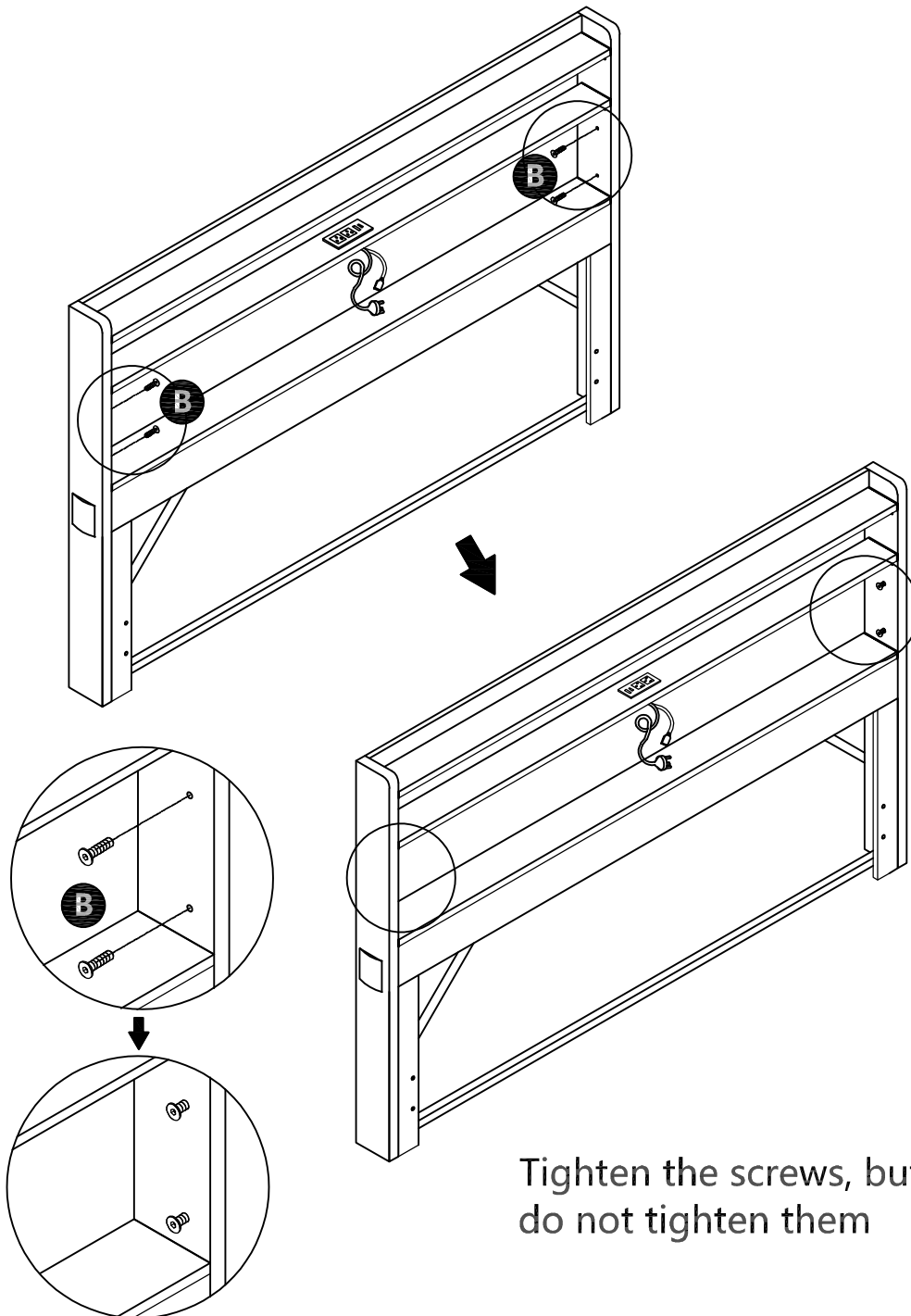
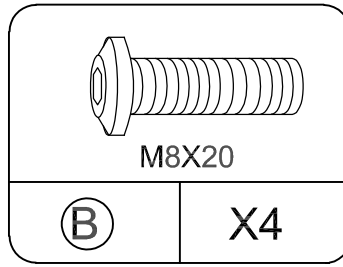
M8X12

(A)

X4

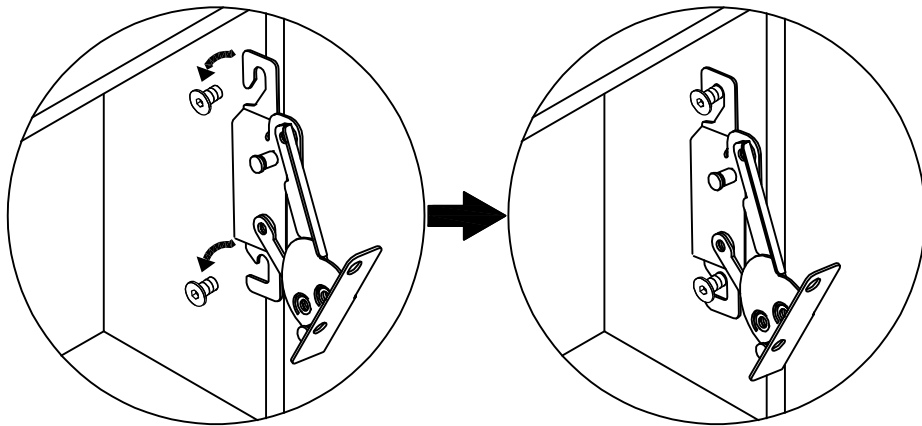
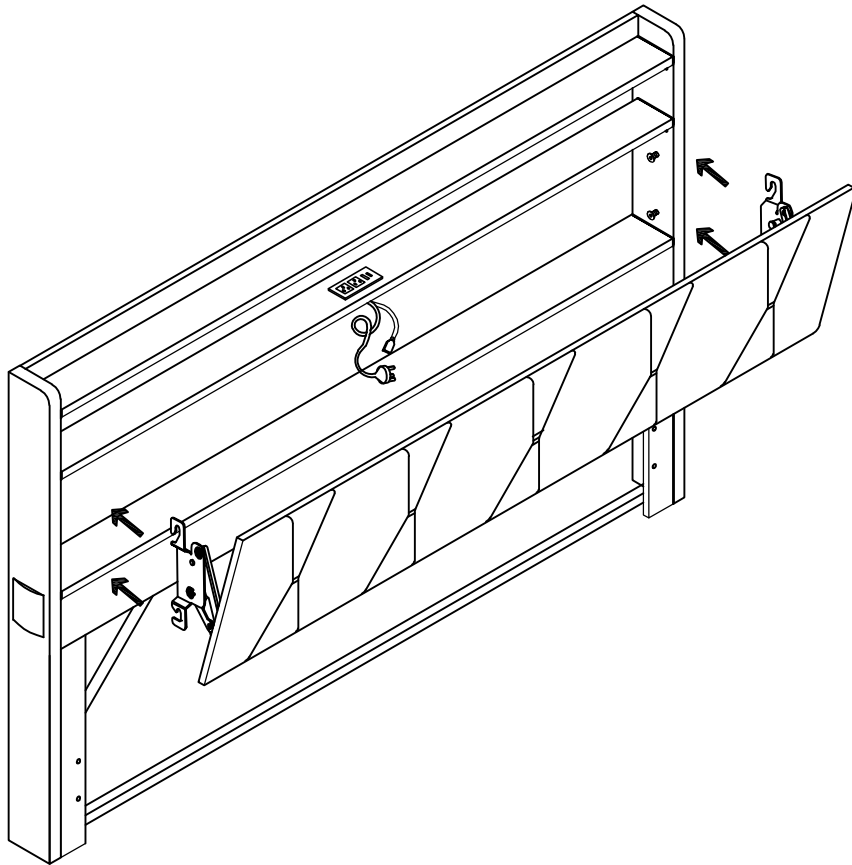


# STEP 10



# STEP 11

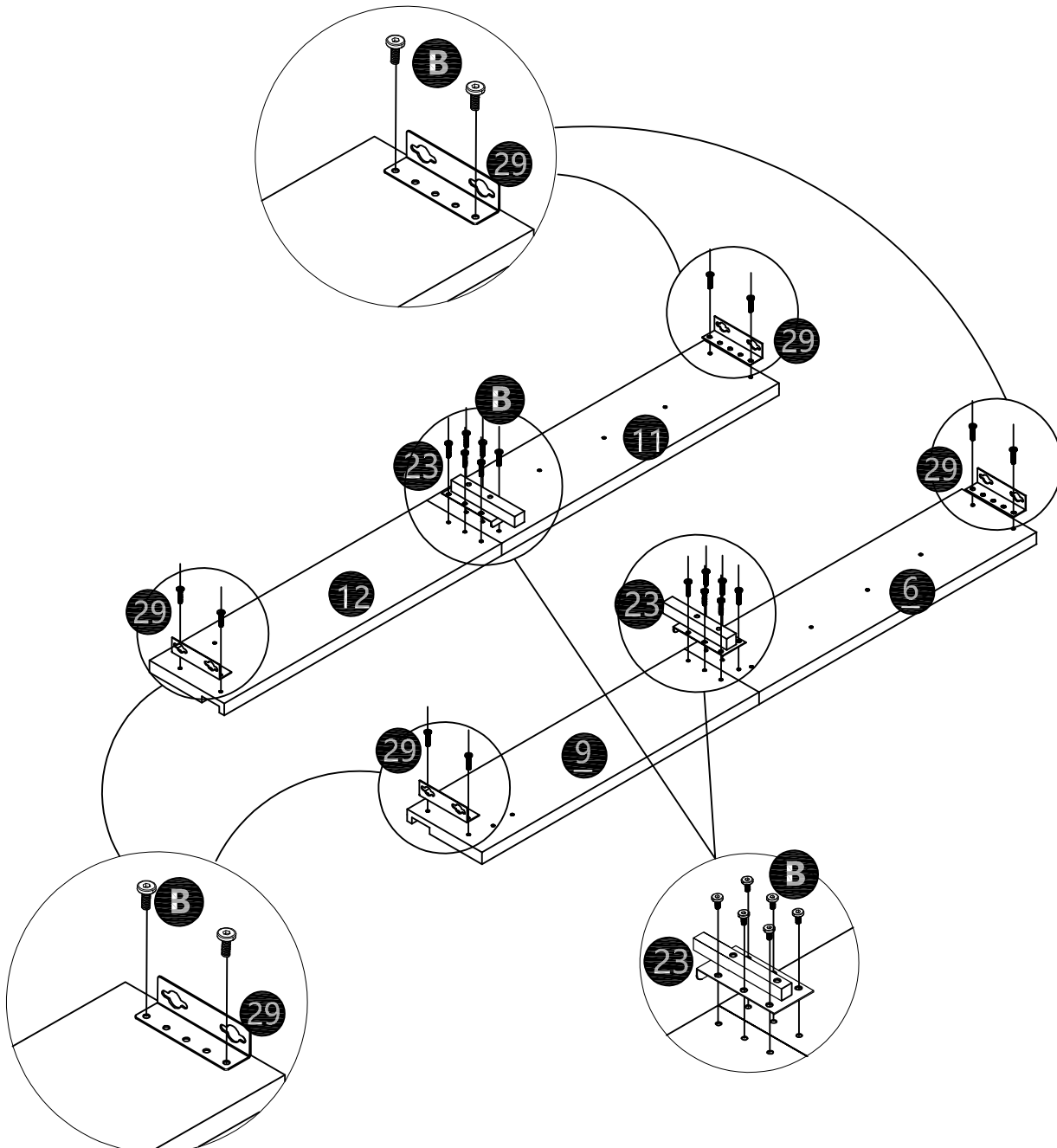
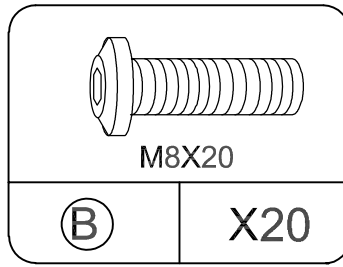
---



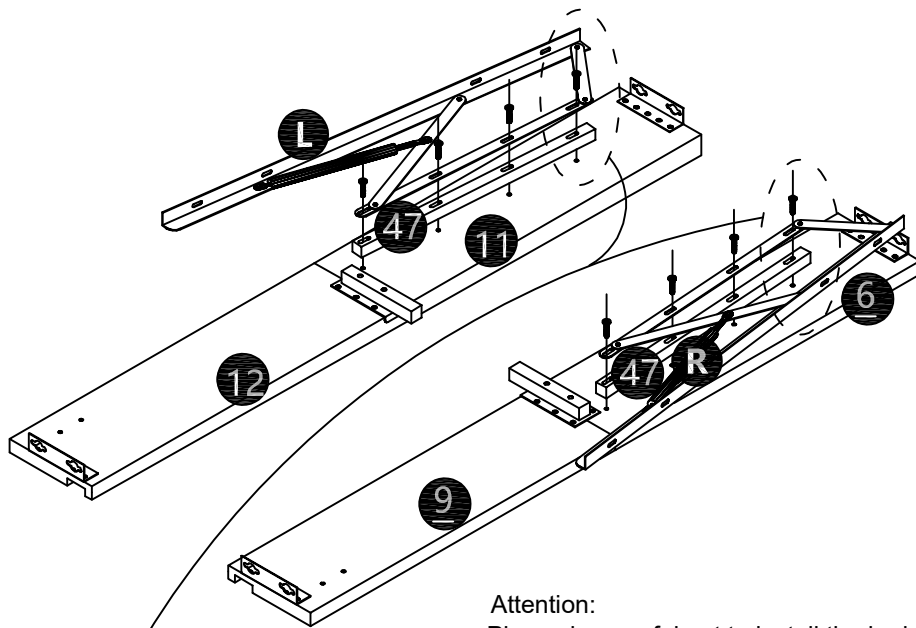
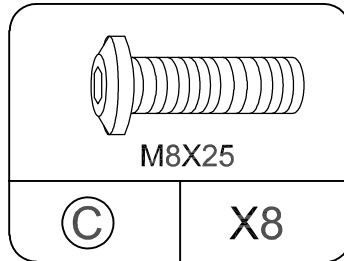
Hang it up first

Then tighten it

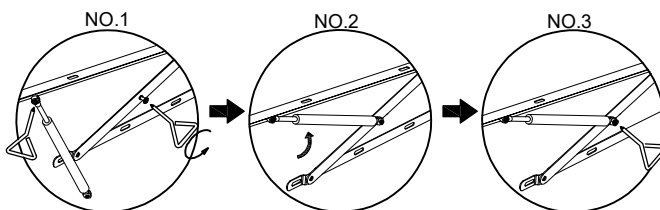
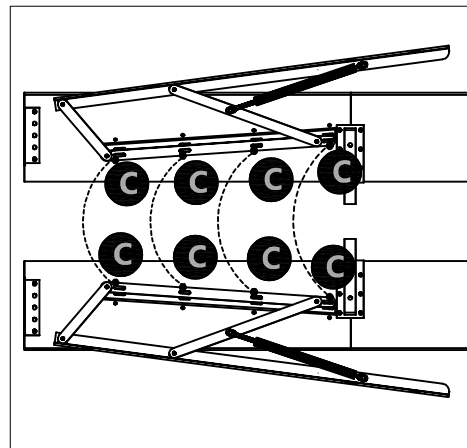
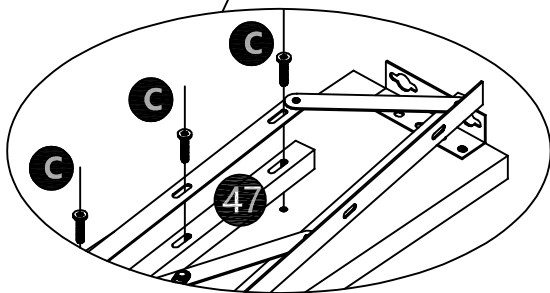
# STEP 12



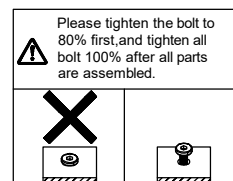
# STEP 13



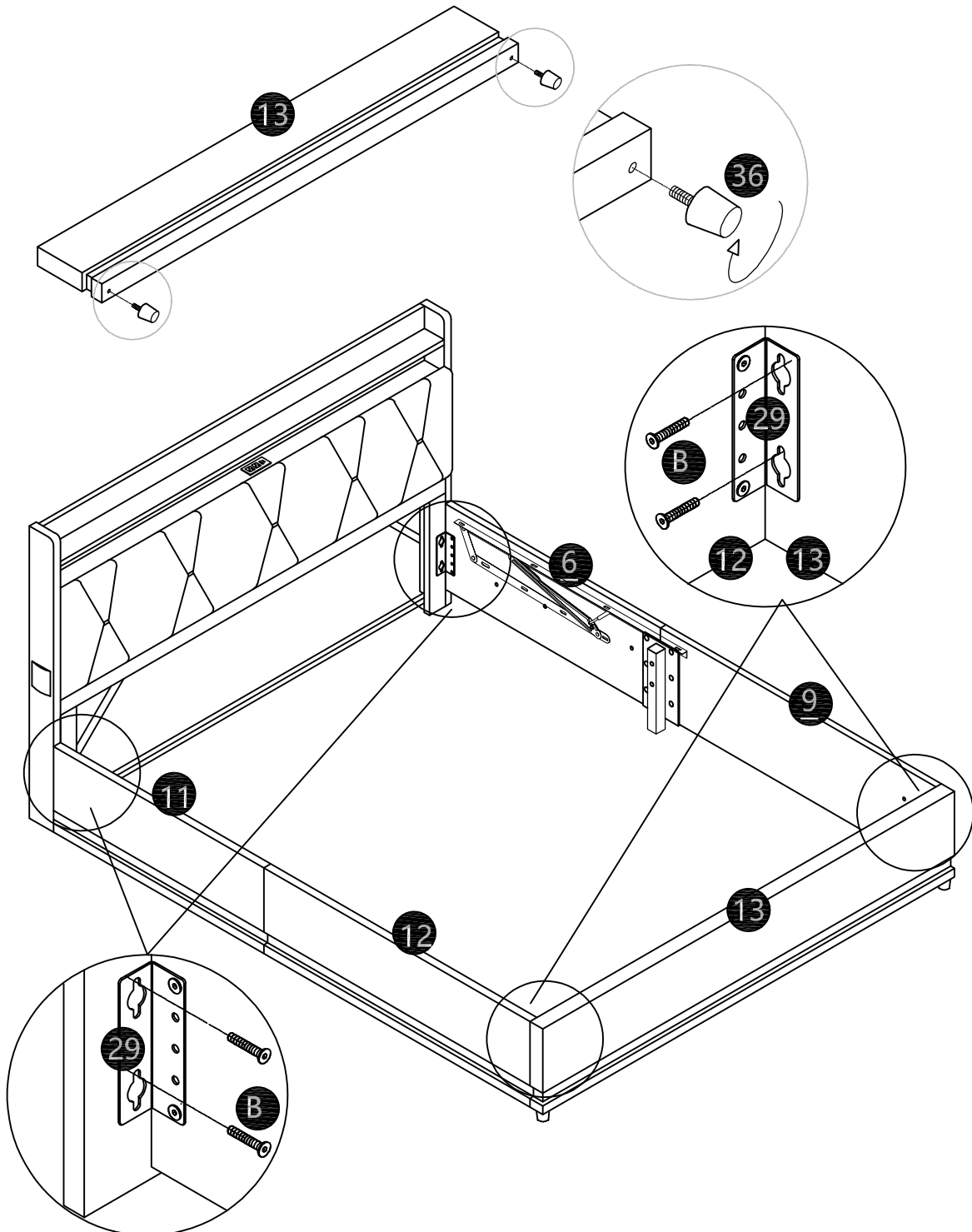
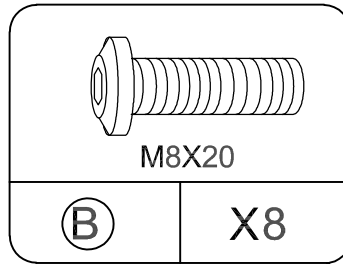
Attention:  
Please be careful not to install the hydraulic support rod(25)(26) in the wrong position or backwards.



NO.1 Turn out this screw in the picture counterclockwise.  
NO.2 As shown in the figure: Install both ends of the round hydraulic rod.  
NO.3 Lock the screws again.

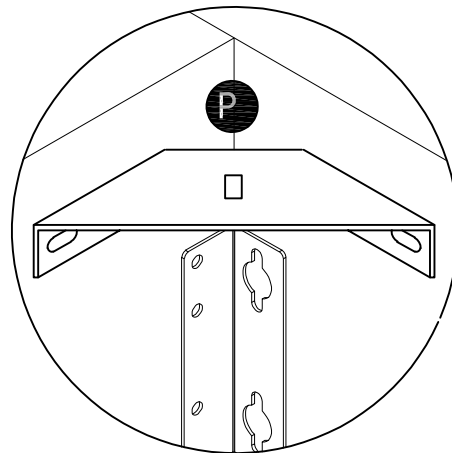
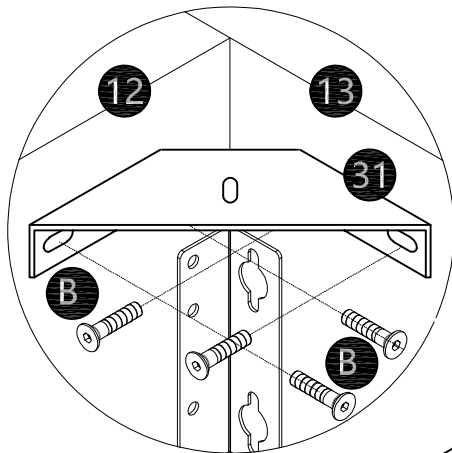
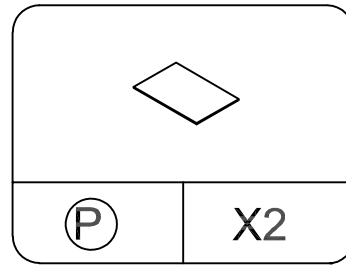
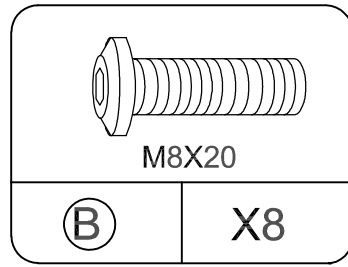


# STEP 14

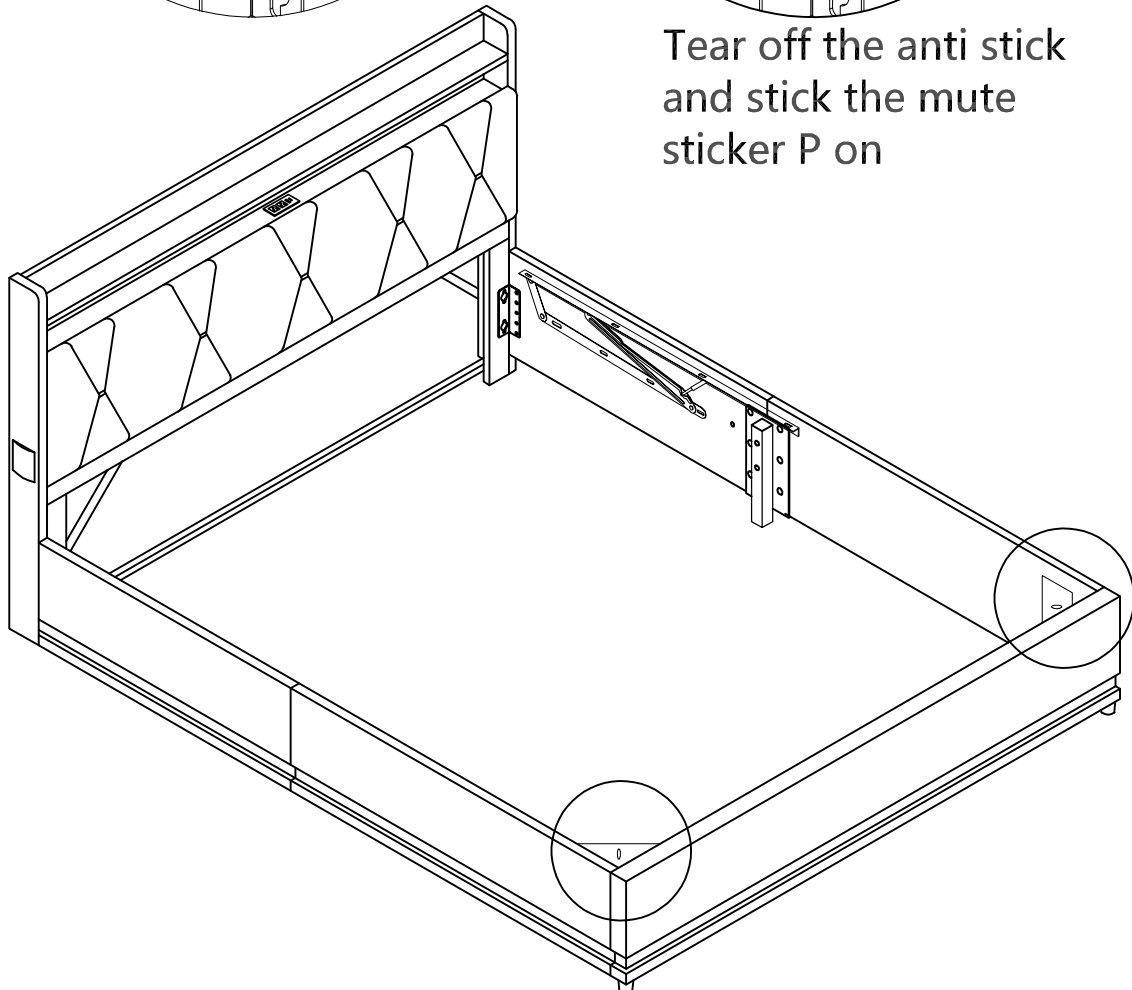


# STEP15

---

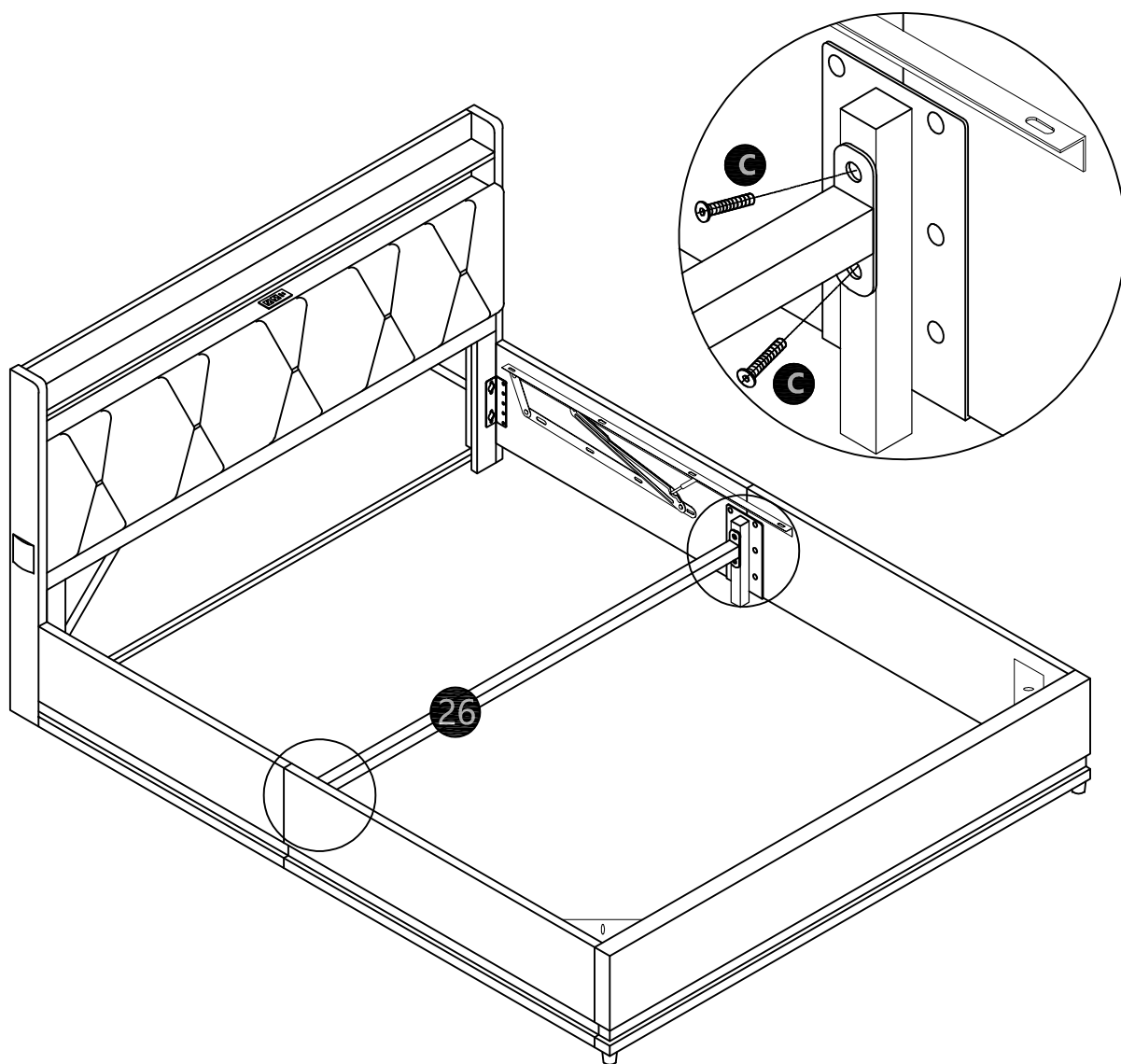
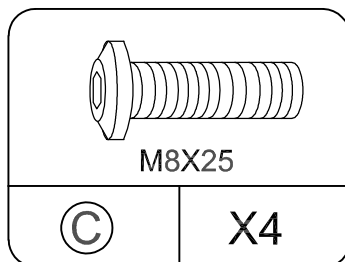


Tear off the anti stick  
and stick the mute  
sticker P on

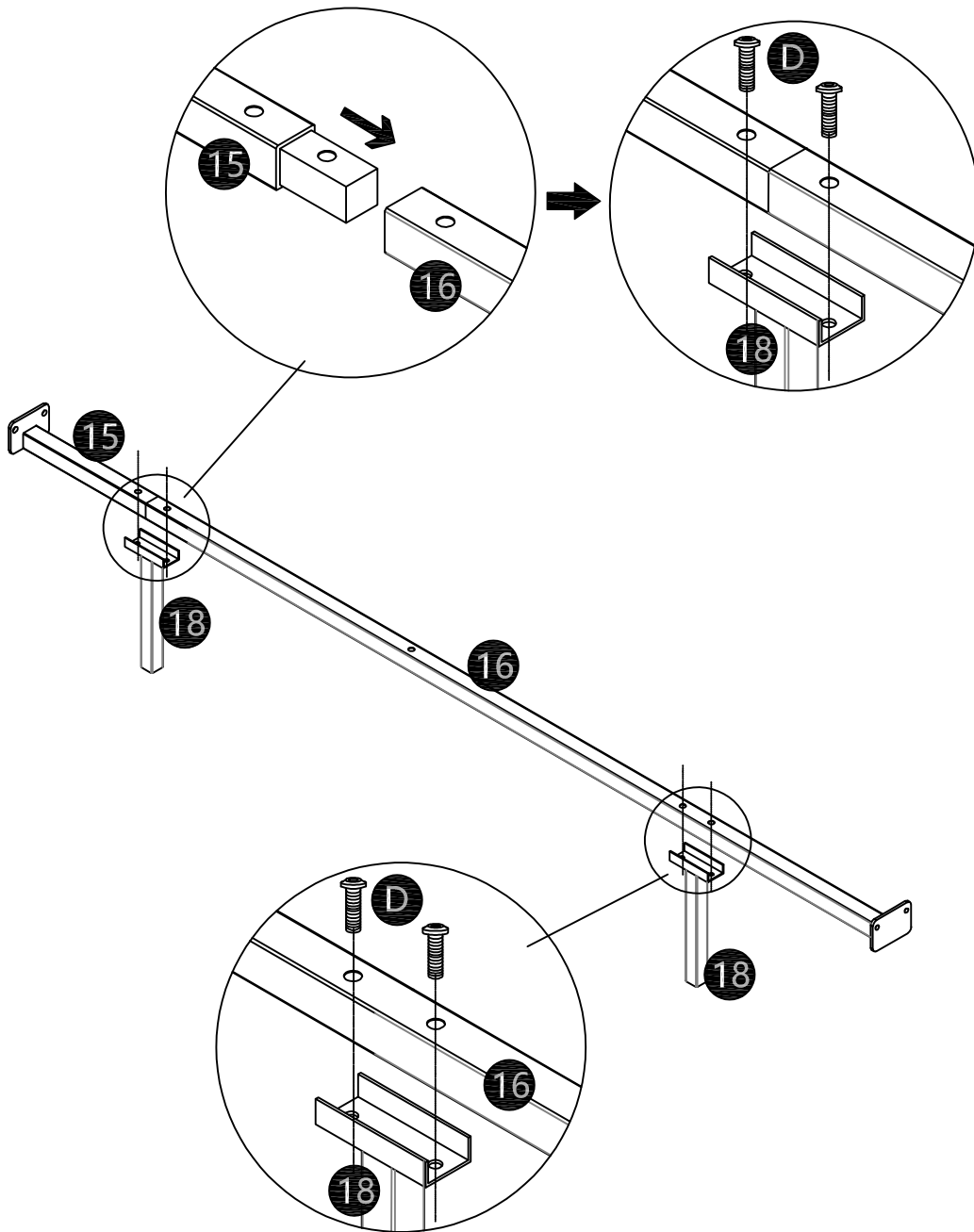
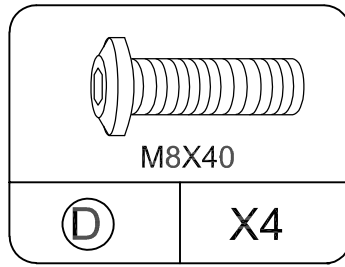


# STEP16

---

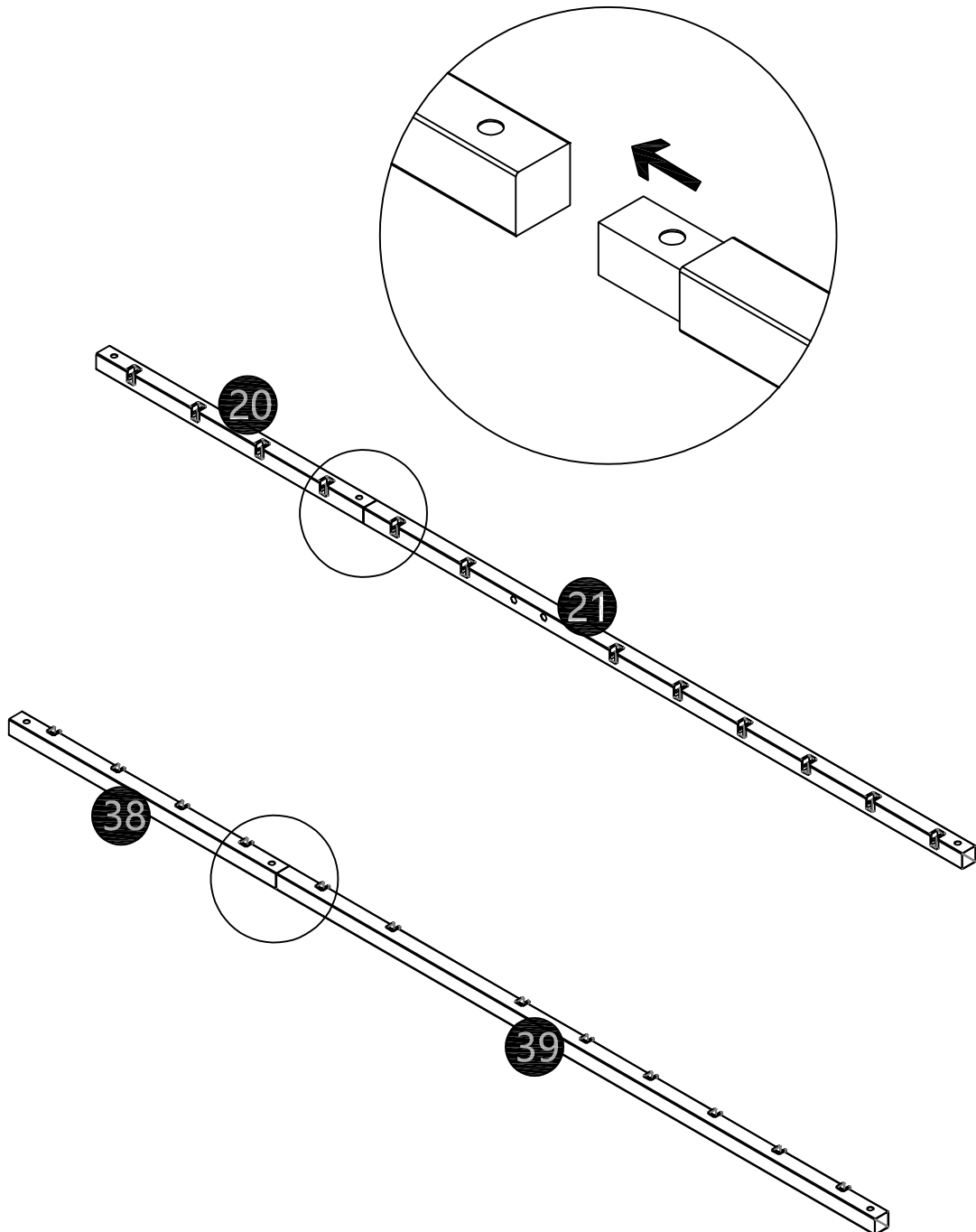


# STEP17



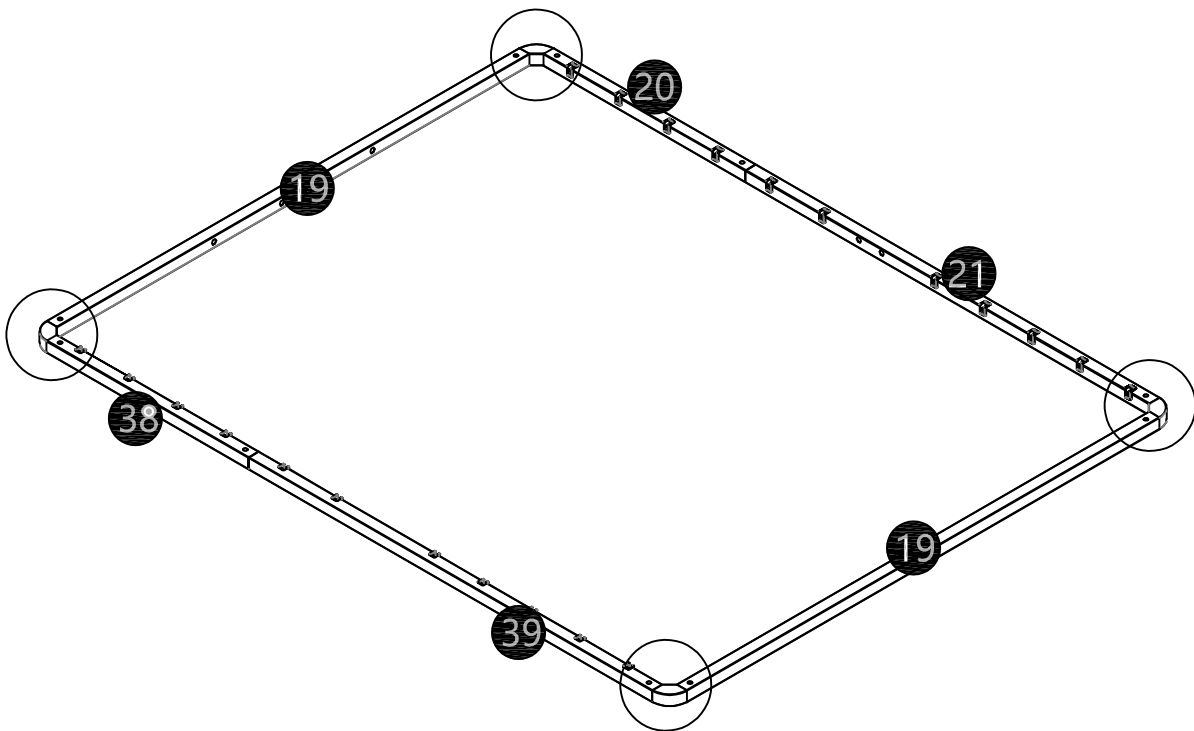
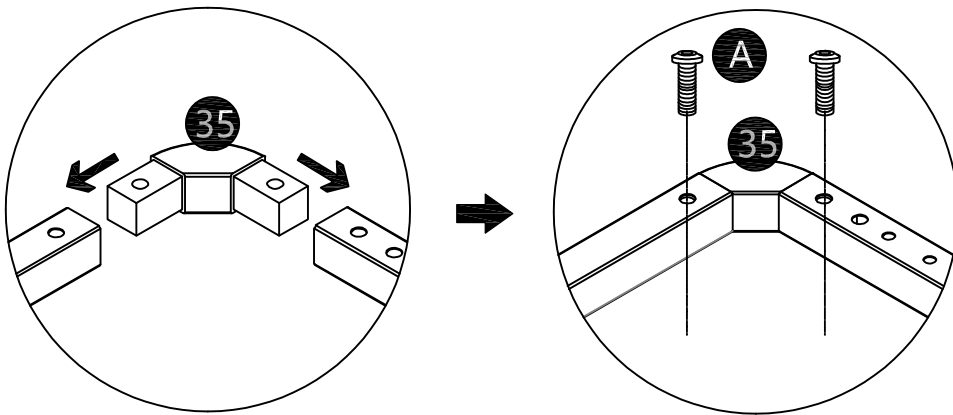
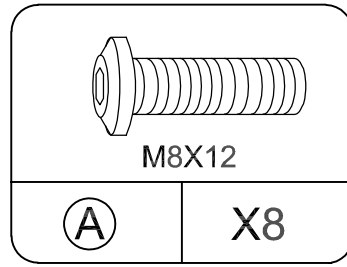
# STEP18

---

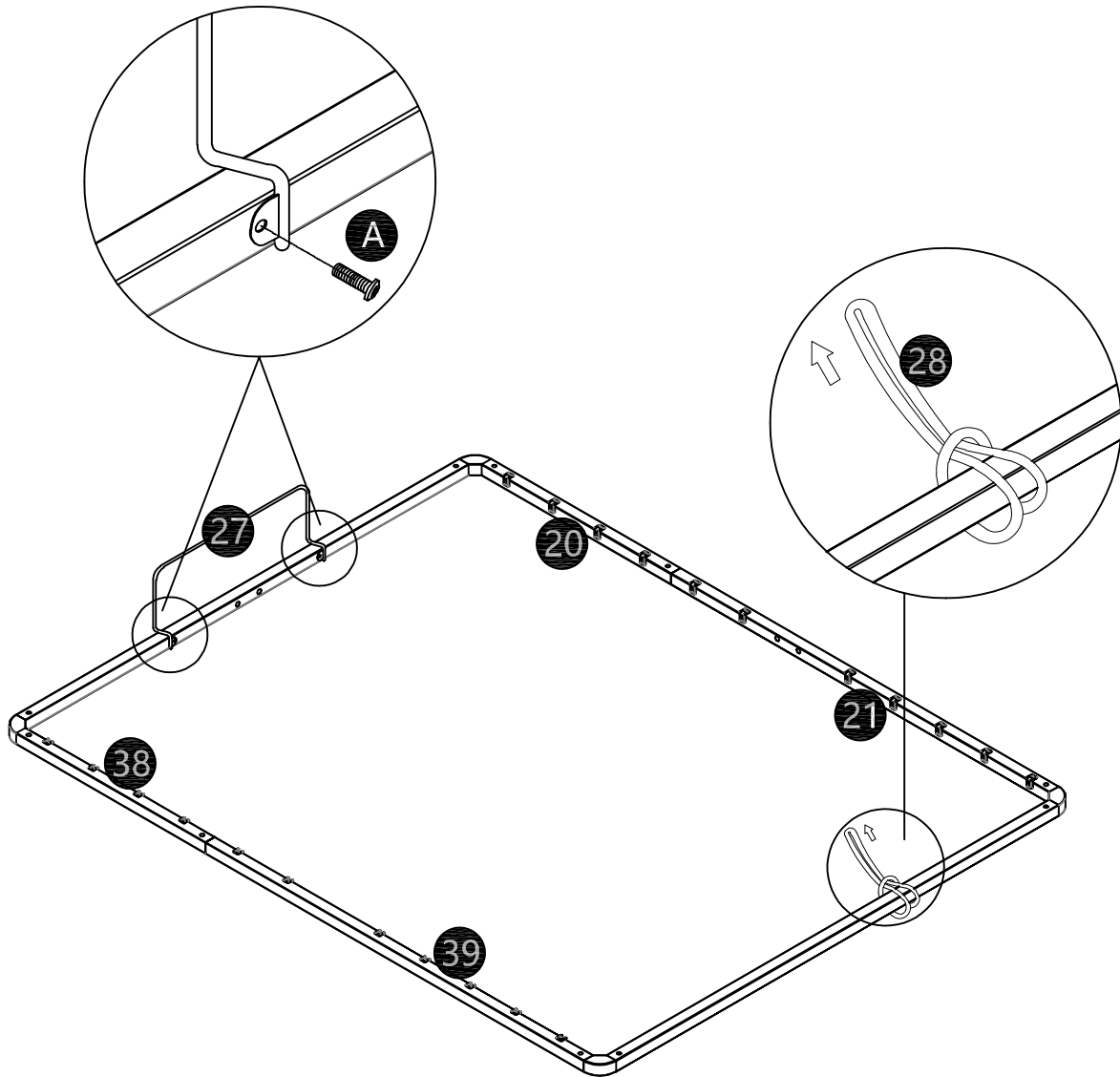
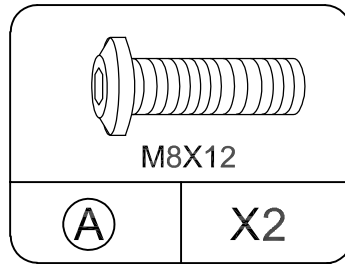


# STEP19

---

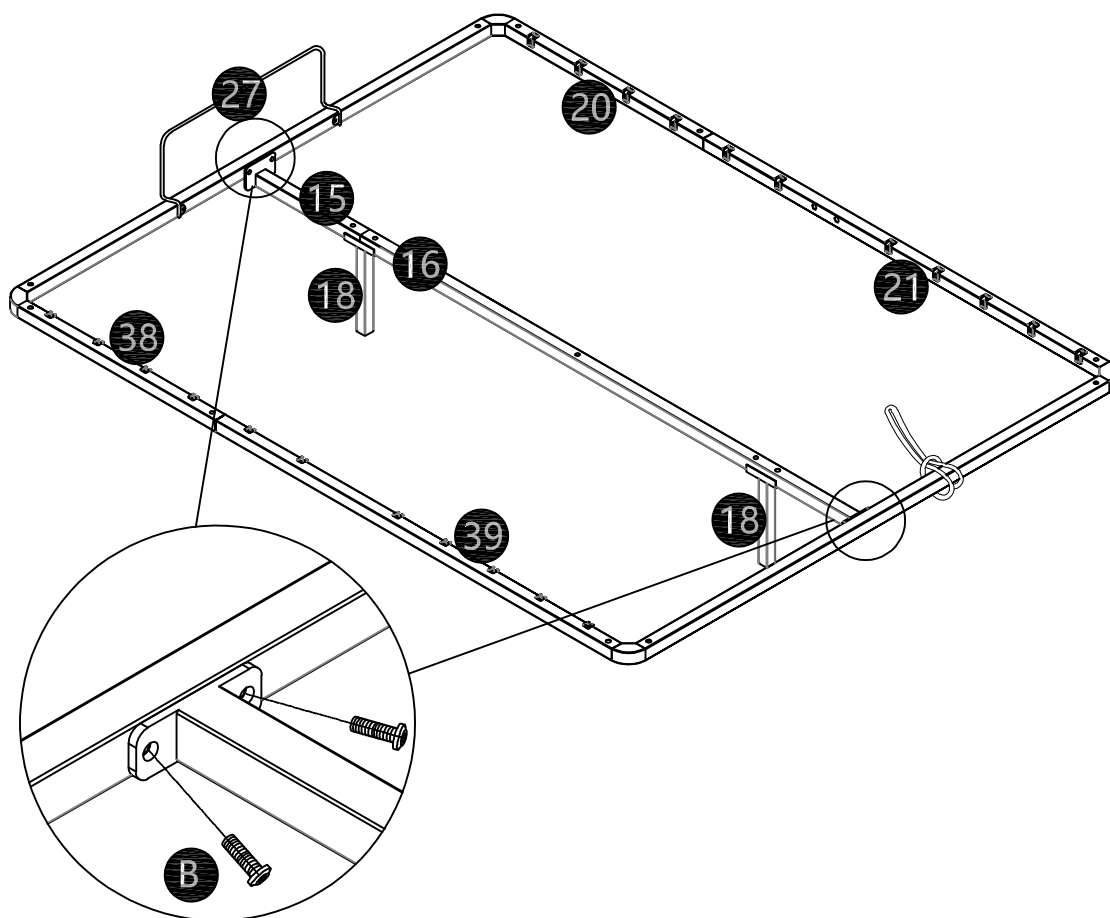
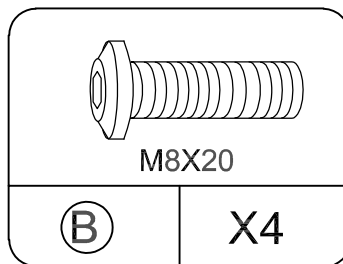


# STEP20

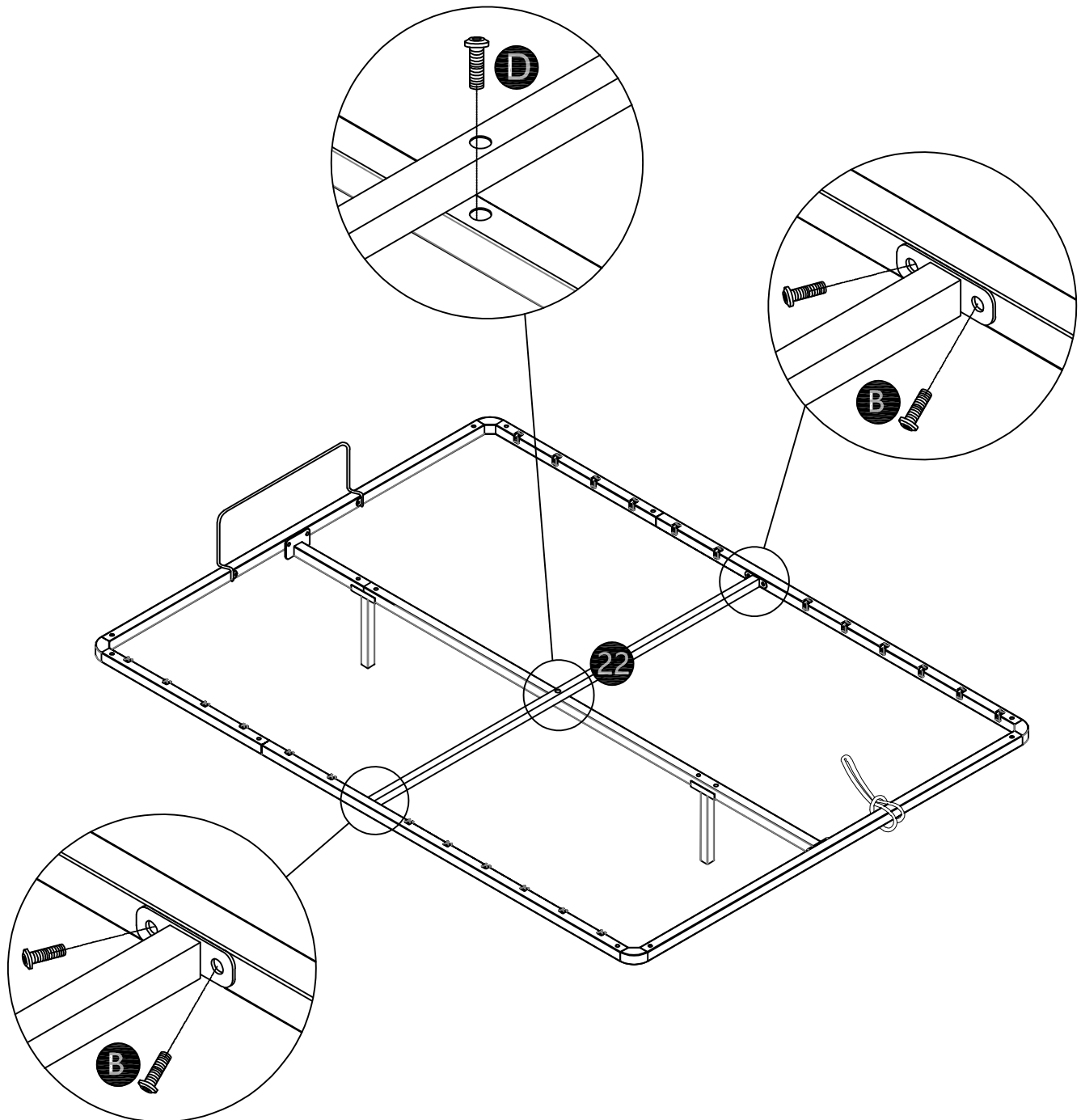
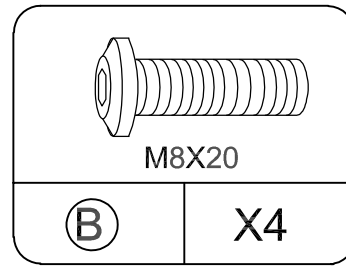
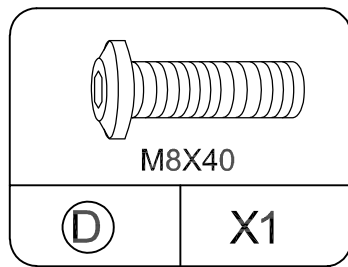


# STEP21

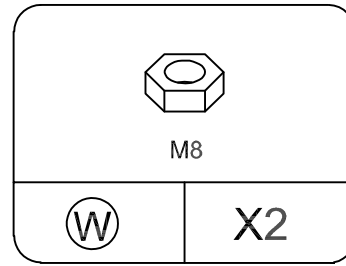
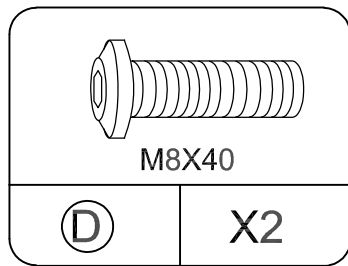
---



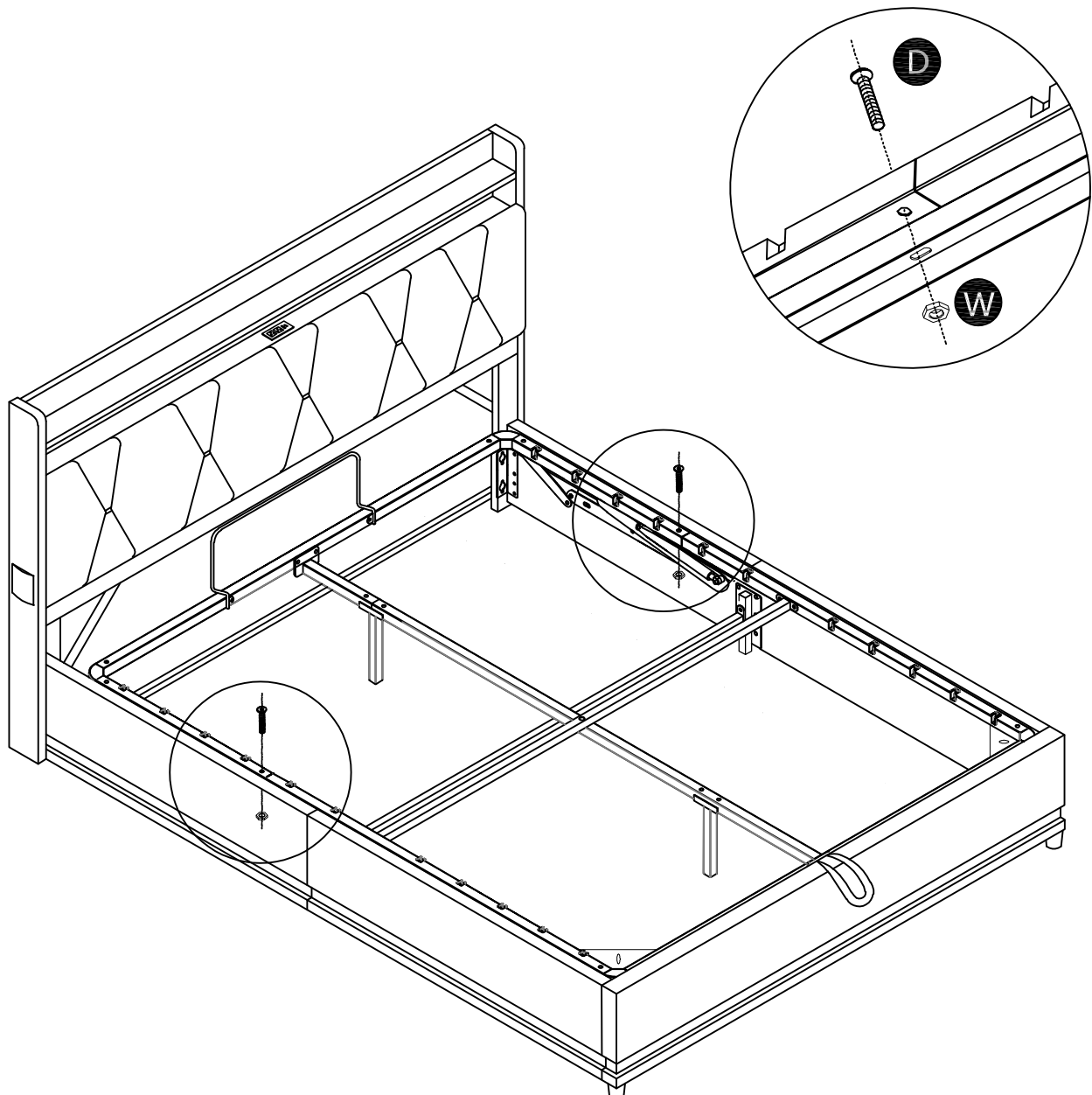
# STEP22



# STEP23

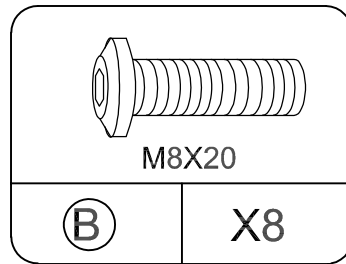


**Please be patient in finding the hole that corresponds to the iron pipe and cylinder frame, and lock it with screws and nuts**



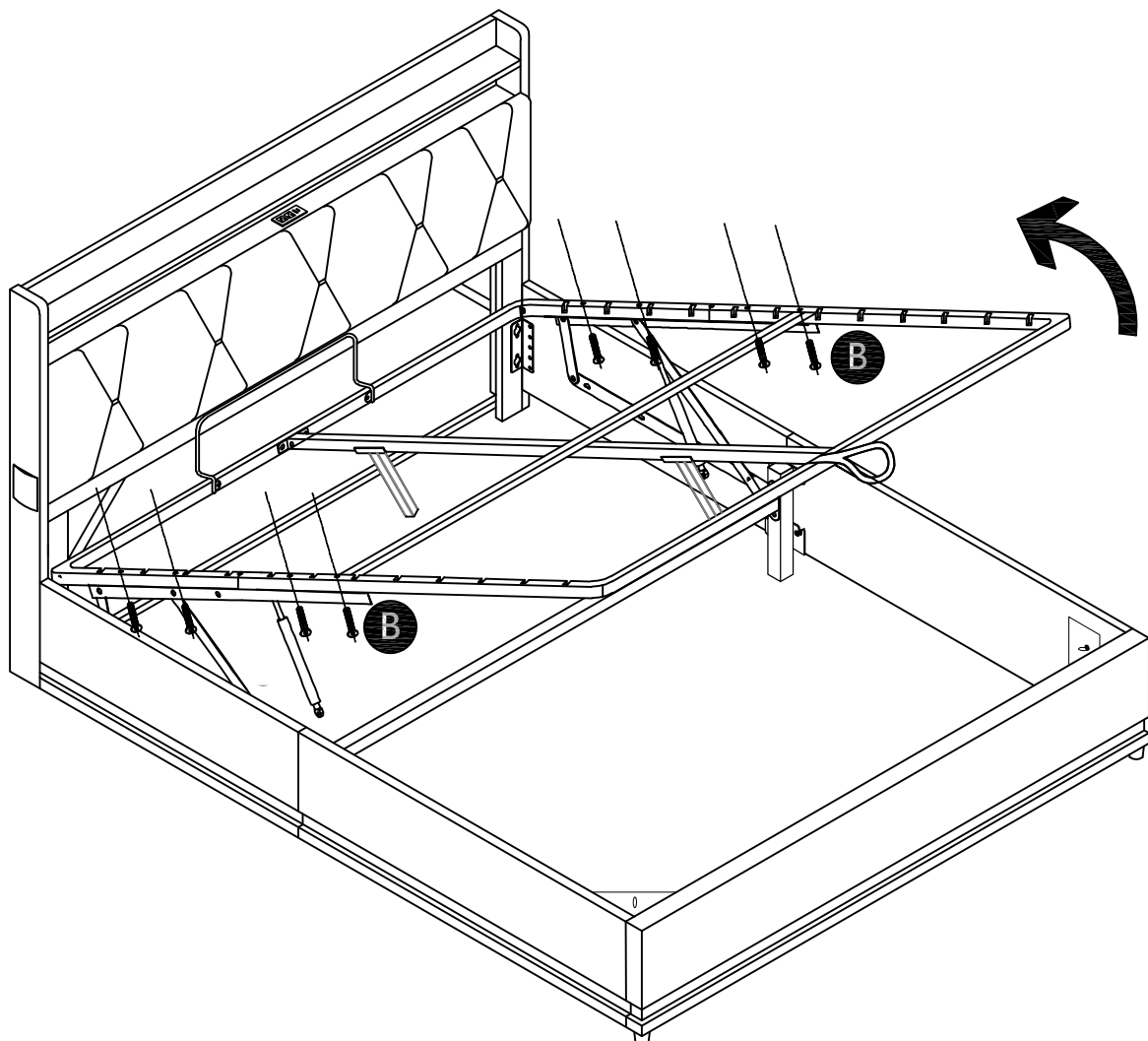
# STEP24

---



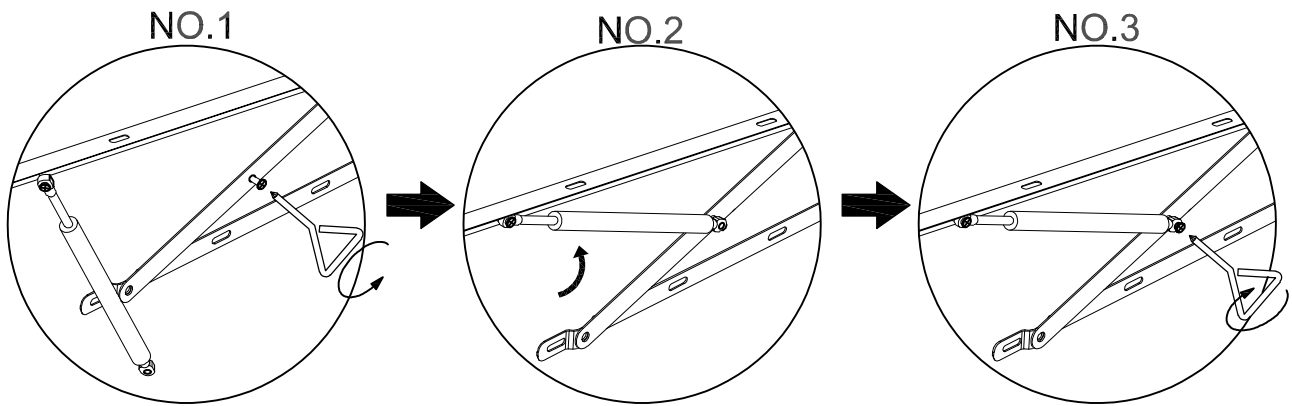
**This step requires 2 people**

**You need a person to lift the iron frame for easy locking of the screws on the side**



## STEP25

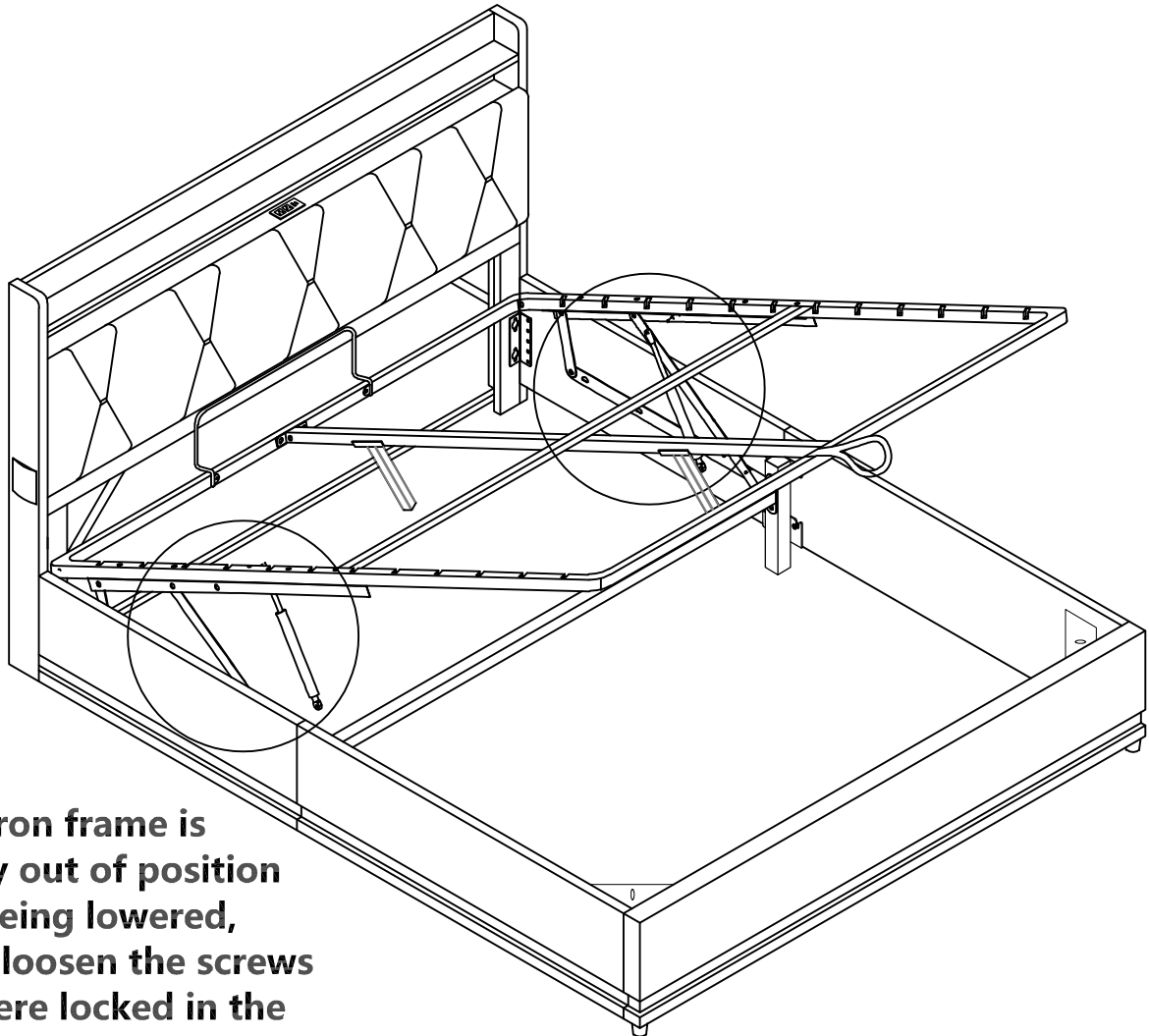
---



NO.1 Turn out this screw counterclockwise.

NO.2 Put the other end of the cylinder frame on as shown in the picture.

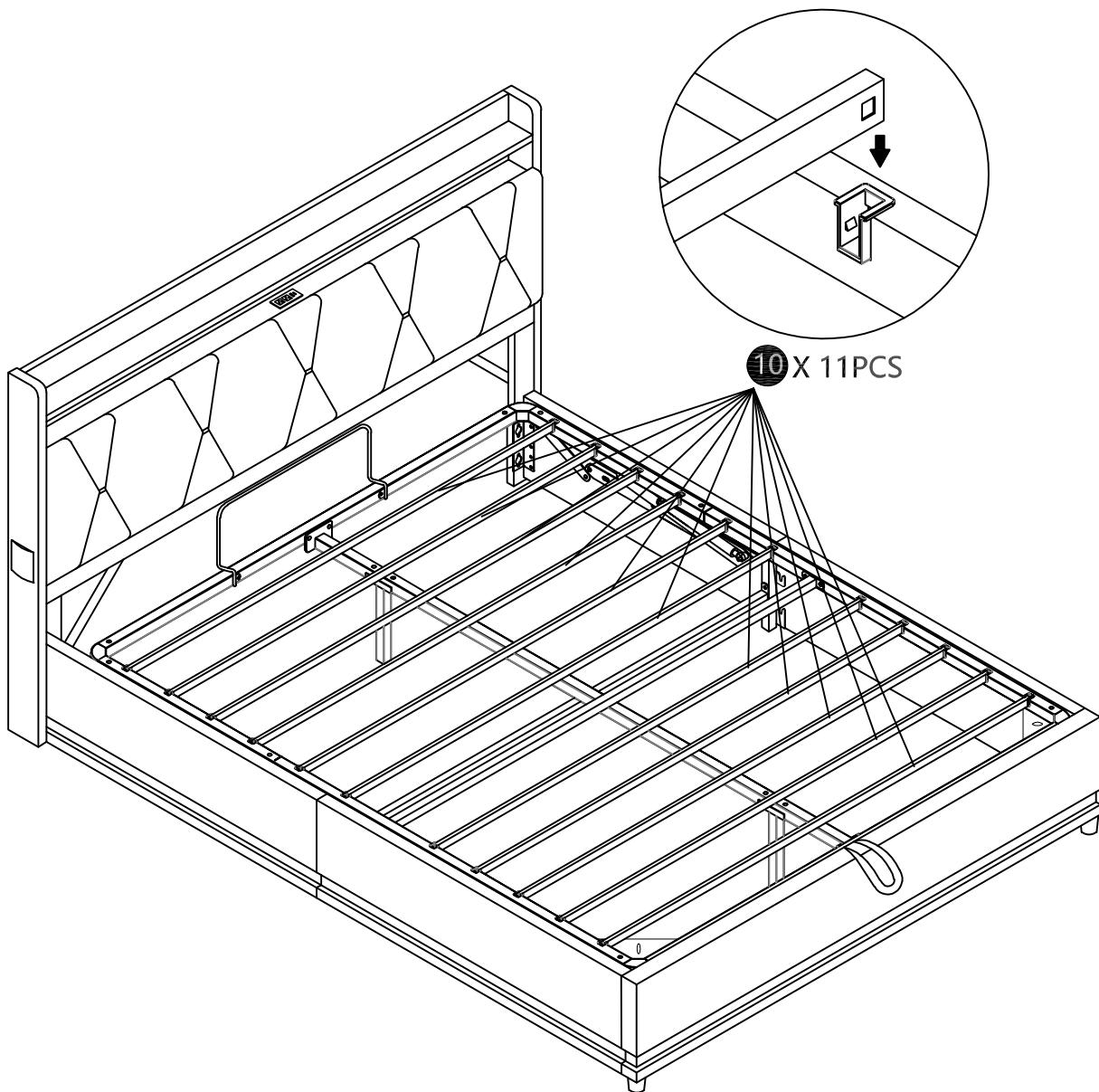
NO.3 Lock the screws again.



**If the iron frame is slightly out of position after being lowered, please loosen the screws that were locked in the previous two steps and adjust the position of the iron frame before locking it again**

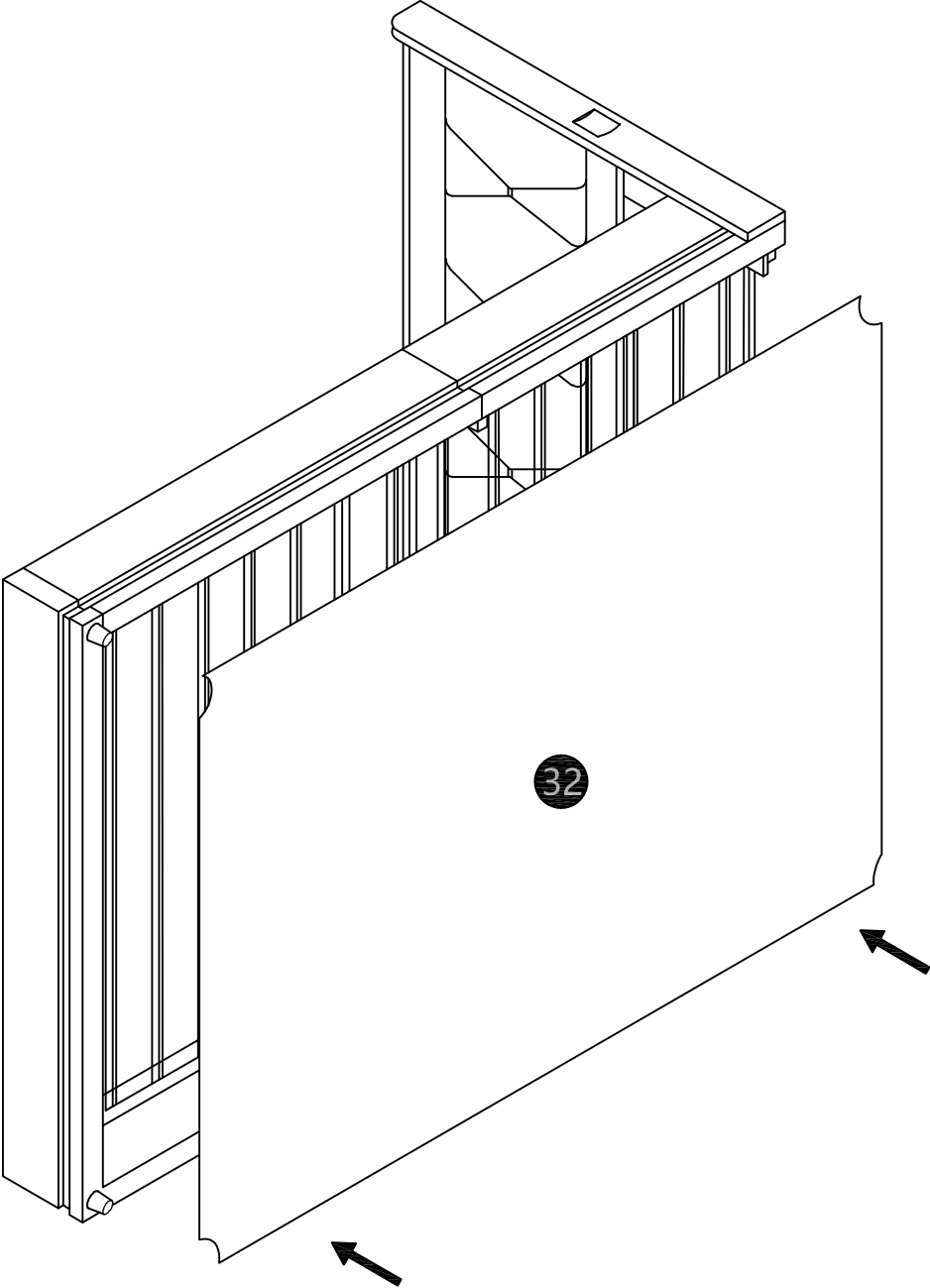
# STEP26

---

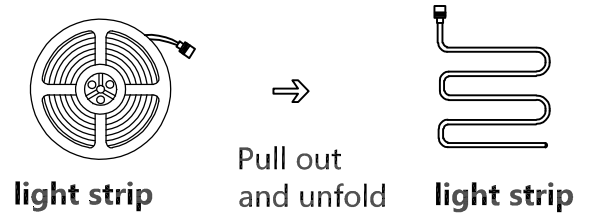
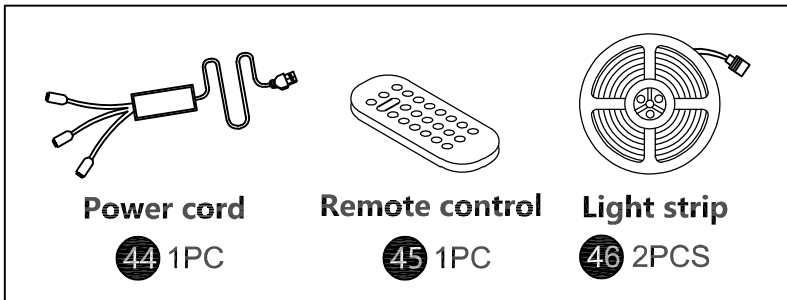


# STEP 27

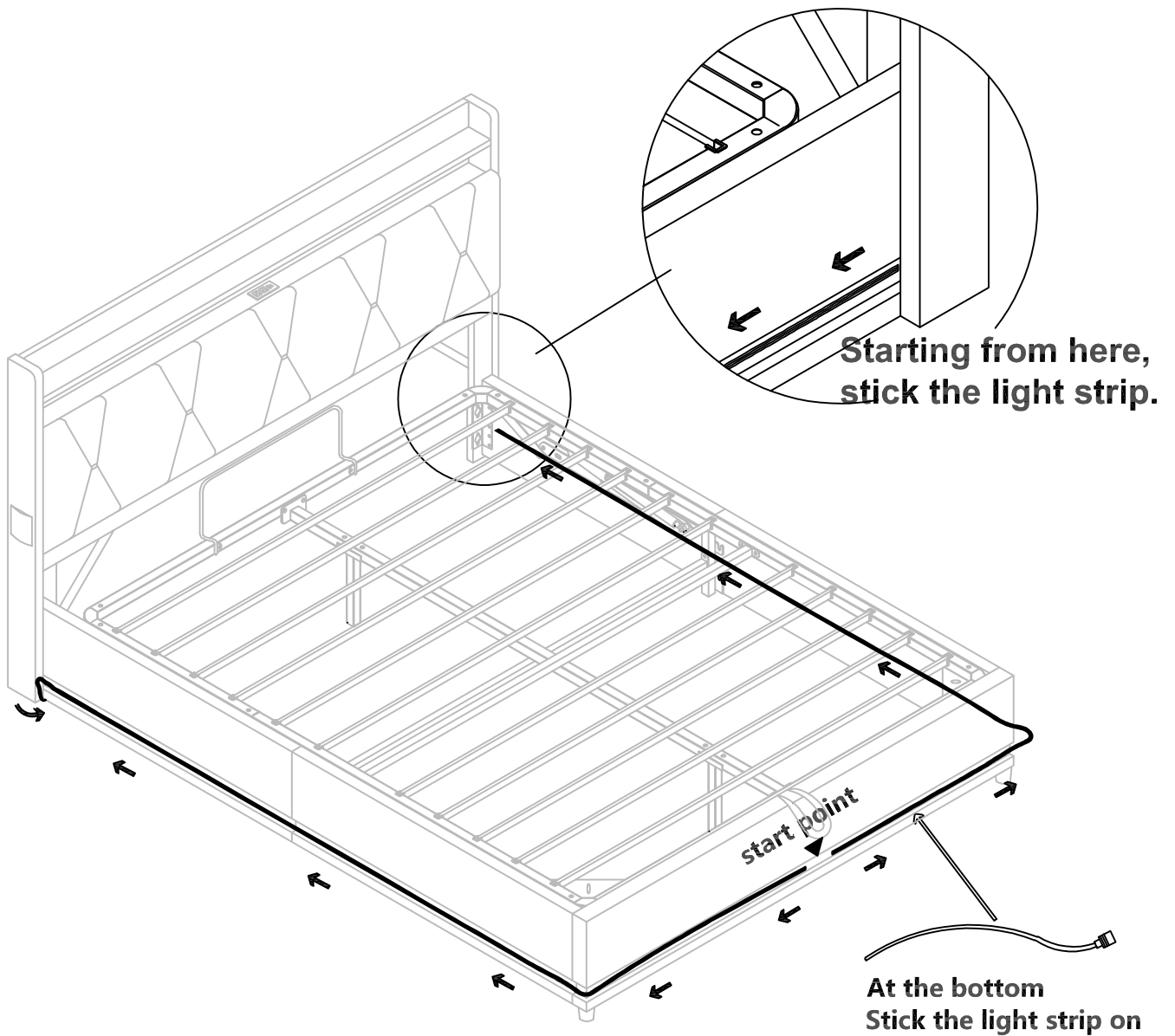
---



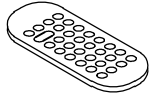
# STEP28



The unfolded light strip has a light strip surface on one side and a magic veneer on the other side.



# STEP29

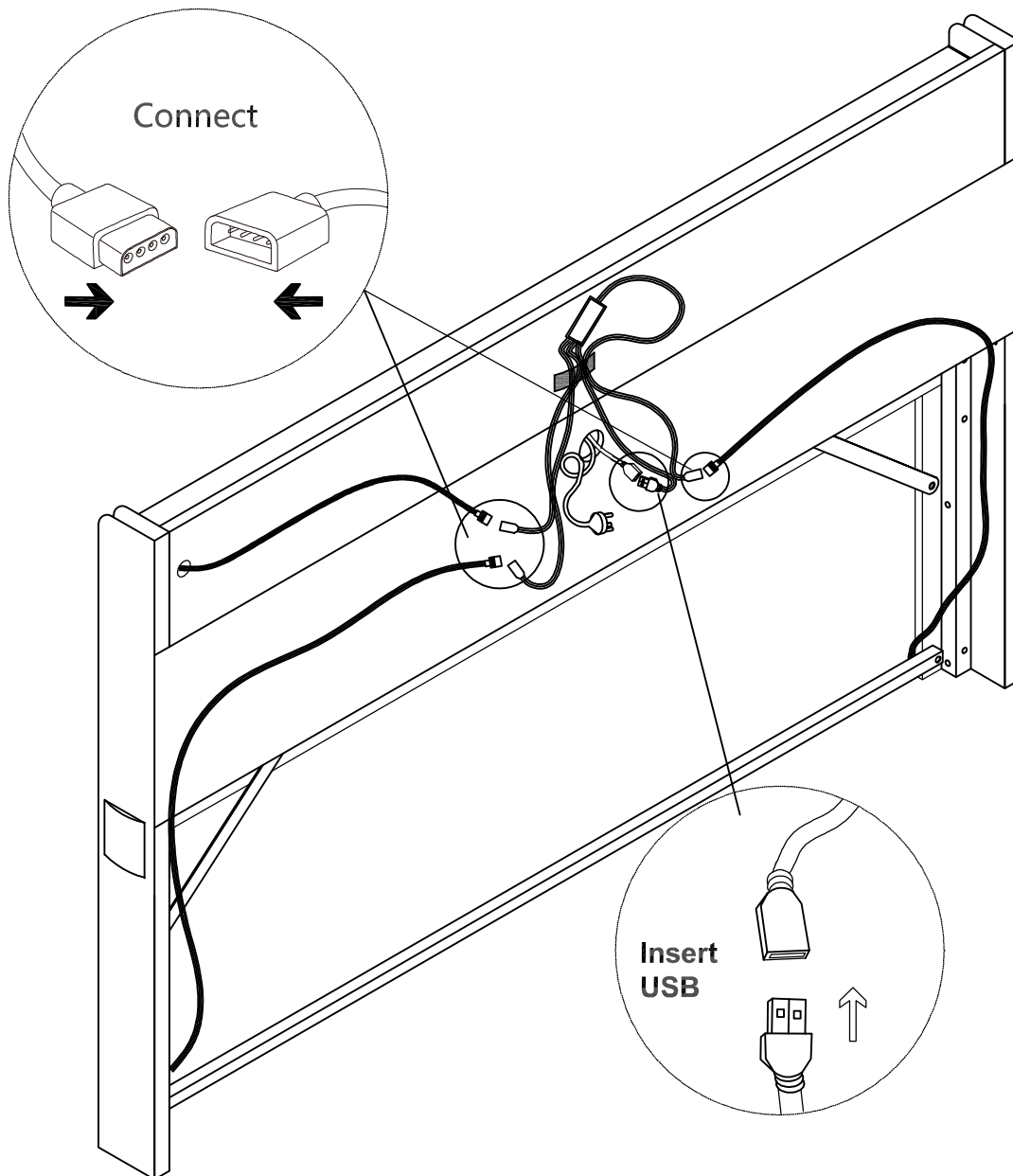


You can use the remote control to control the color

Remote control

45 1PC

**The plug of the USB socket must be connected to the power supply before it can be used !!!**



**NOTE: The battery in the remote control requires you to purchase and install it yourself.**

①



②



③



④



⑤



⑥



⑦



⑧

