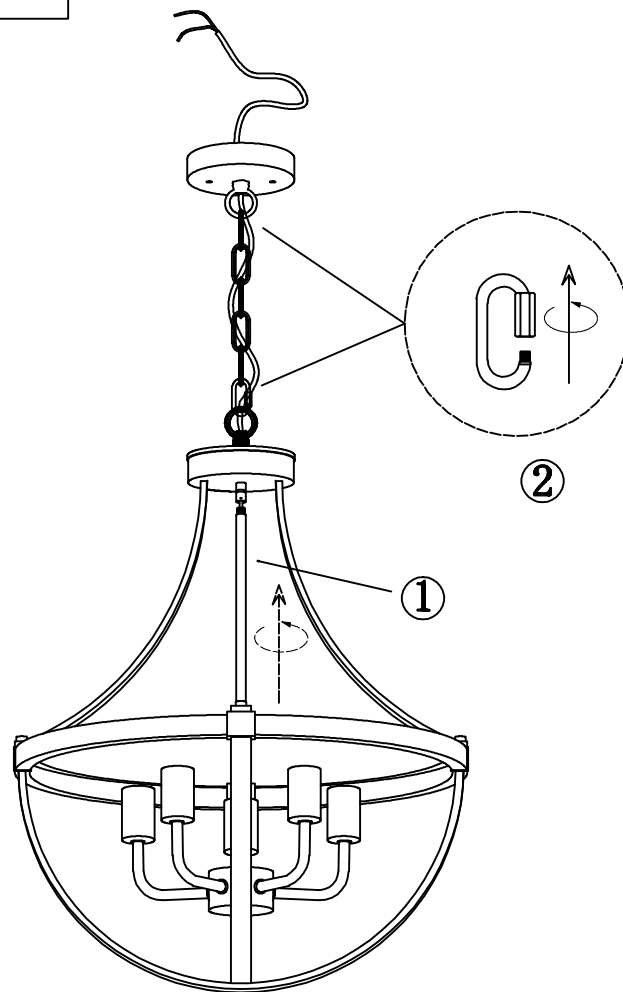
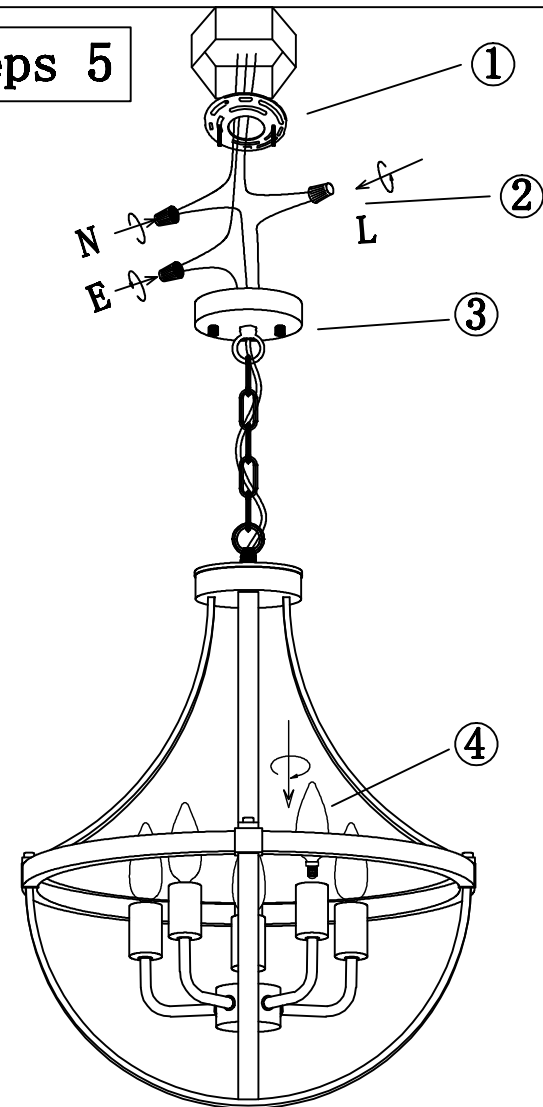


Steps 4



1. Install the lamp body on the hardware frame as shown in the figure.
2. Pass the main line through the chain and ceiling box, loosen the safety buckle as shown in the figure, link the chain with the lamp body and tighten the safety buckle.

Steps 5



1. Assembled the mounting bracket to the ceiling junction box with the screw.
2. Connect the power cord out from the ceiling junction box to lamp wires with the lead wire and wire nut, according to the color to connect. (U.S. - black for "L", white for "N", copper wire for "Ground E")
3. Assemble the canopy to the mounting bracket with the screw.
4. Install the lamp socket, Install the light bulb. (bulb not included)