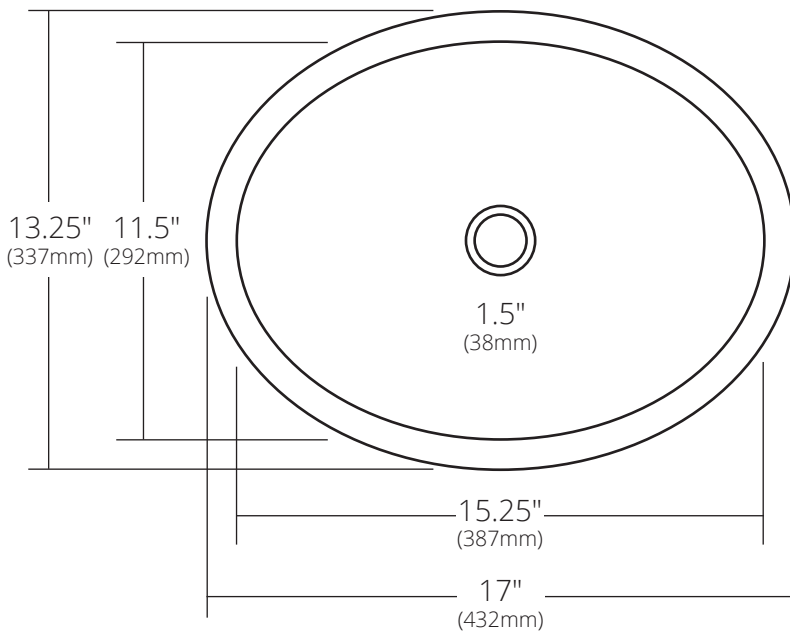


SPECIFICATIONS

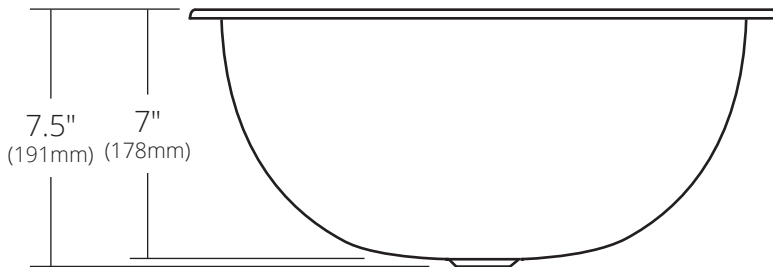
**CAMEO**



TOP VIEW



SIDE VIEW



CPS248 Antique  
CPS548 Brushed Nickel

**PRODUCT DETAILS**

- 17" x 13.25" x 7.5" OD (432mm x 337mm x 191mm)
- 15.25" x 11.5" x 7" ID (387mm x 292mm x 178mm)
- Hand hammered 16 gauge recycled copper
- 1.5" (38mm) drain opening

**INSTALLATION**

- Drop-In or Undermount

**COORDINATING PRODUCTS**

- Drains: DR120, DR130 or DR150

**STANDARDS COMPLIANCE**

- UPC/cUPC compliant

**IMPORTANT**

Due to the handcrafted nature of this product, it will vary in finish, texture, hammering, and other details. Dimensions may vary up to 1/4" (6mm). We strongly recommend waiting for the actual product before making any installation cuts.