

Care & Maintenance



- Furniture may scratch floors. We recommend using furniture pads to protect your floors.



- Do not put hot items directly on furniture surface.



- Do not clean furniture with harsh cleansers or polish.



- Do not place furniture under direct sunlight.



- Do not place furniture near heating or cooling vents.



- Do not write on furniture without a padded barrier to protect the surface.



- Do not place furniture outside . For indoor use only.



- Not for commercial use. For residential use only.



- Stains may be removed with mild soap solution and damp cloth.

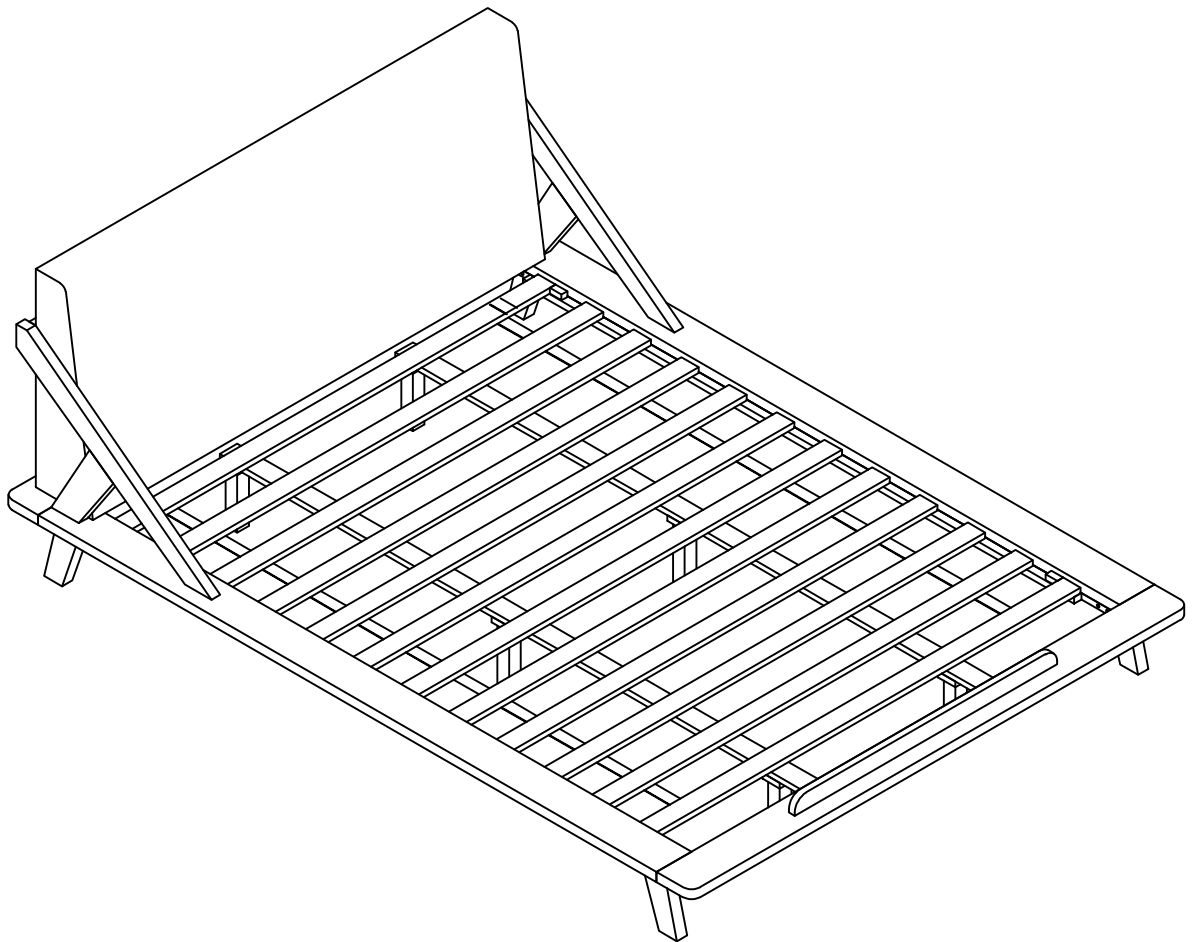


- Children should not climb or jump on the furniture.

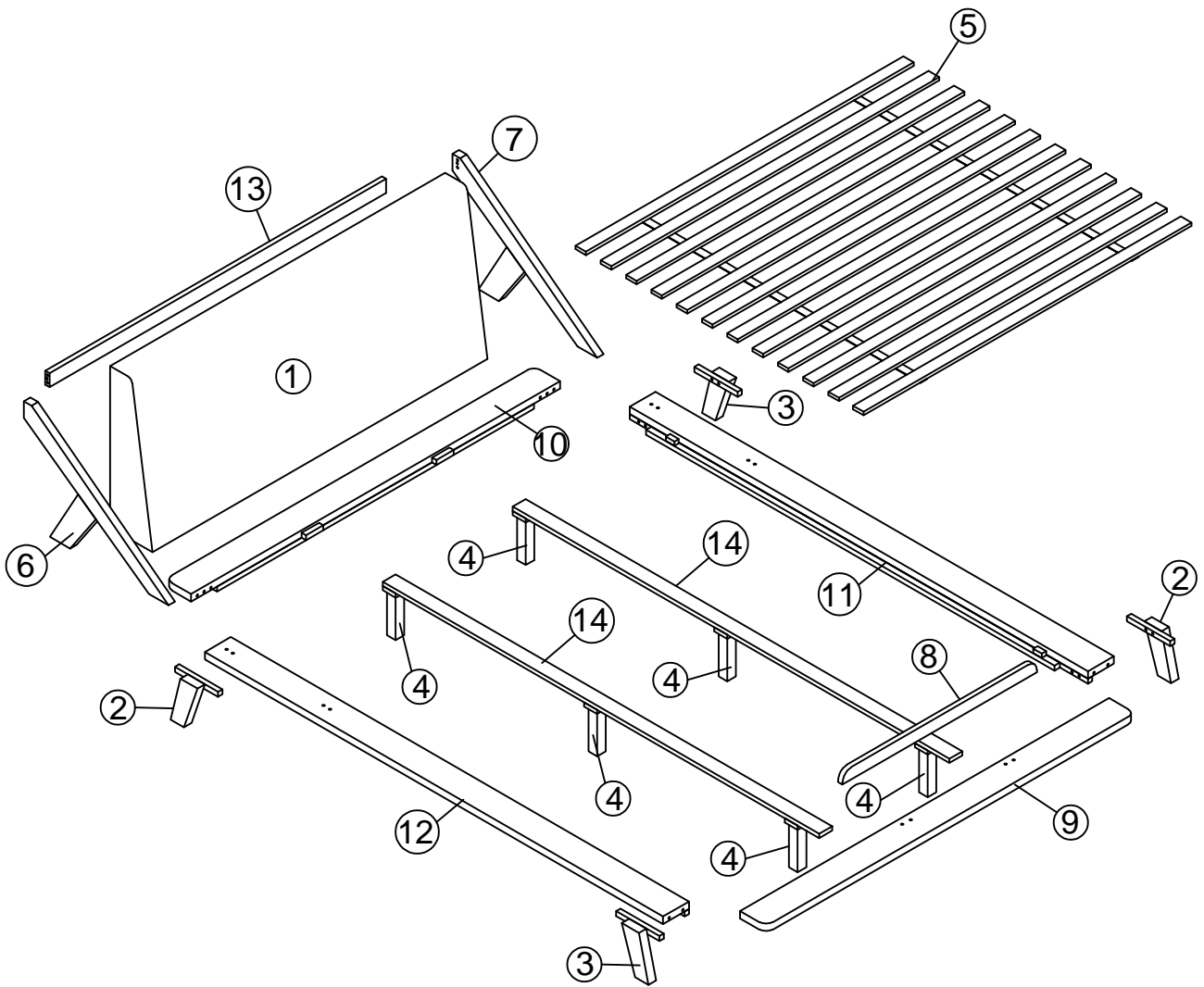


- Dust and pick-up spills using a clean, non-colored, lint-free cloth.

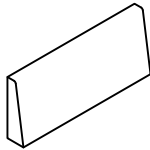
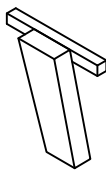
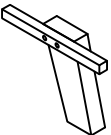

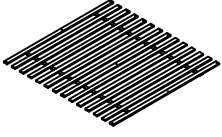
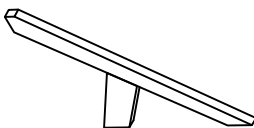
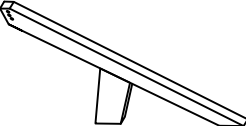

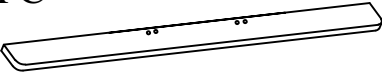


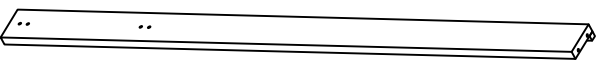


ASSEMBLY INSTRUCTIONS







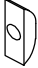




Detail View



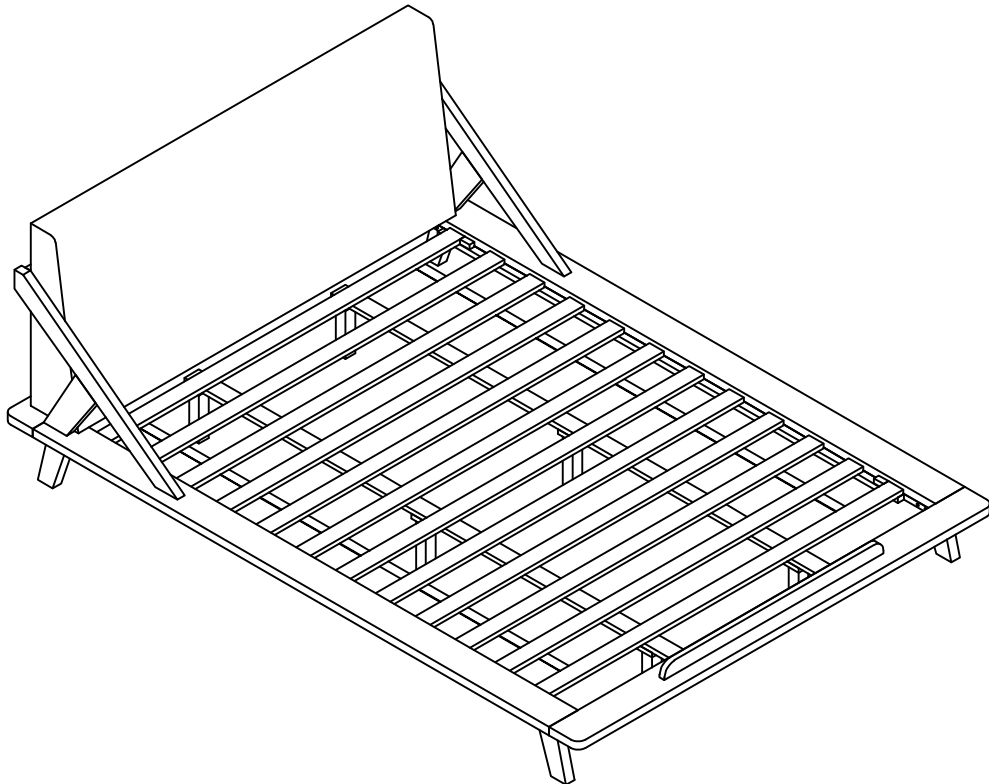
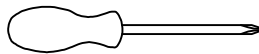
Part List

<p>① x 1 PC</p>  <p>Headboard Mattress</p>	<p>② x 2 PCS</p>  <p>Left legs</p>
<p>③ x 2 PCS</p>  <p>Right legs</p>	<p>④ x 6 PCS</p>  <p>Support Leg</p>
<p>⑤ x 1 PC</p>  <p>Slat</p>	<p>⑥ x 1 PC</p>  <p>Left Support Headboard</p>
<p>⑦ x 1 PC</p>  <p>Right Support Headboard</p>	<p>⑧ x 1 PC</p>  <p>Support rail</p>
<p>⑨ x 1 PC</p>  <p>Footboard rail</p>	<p>⑩ x 1 PC</p>  <p>HeadBoard rail</p>
<p>⑪ x 1 PC</p>  <p>Right SideRail</p>	<p>⑫ x 1 PC</p>  <p>Left SideRail</p>
<p>⑬ x 1 PC</p>  <p>Support Back Headboard</p>	<p>⑭ x 2 PCS</p>  <p>Center support bar</p>

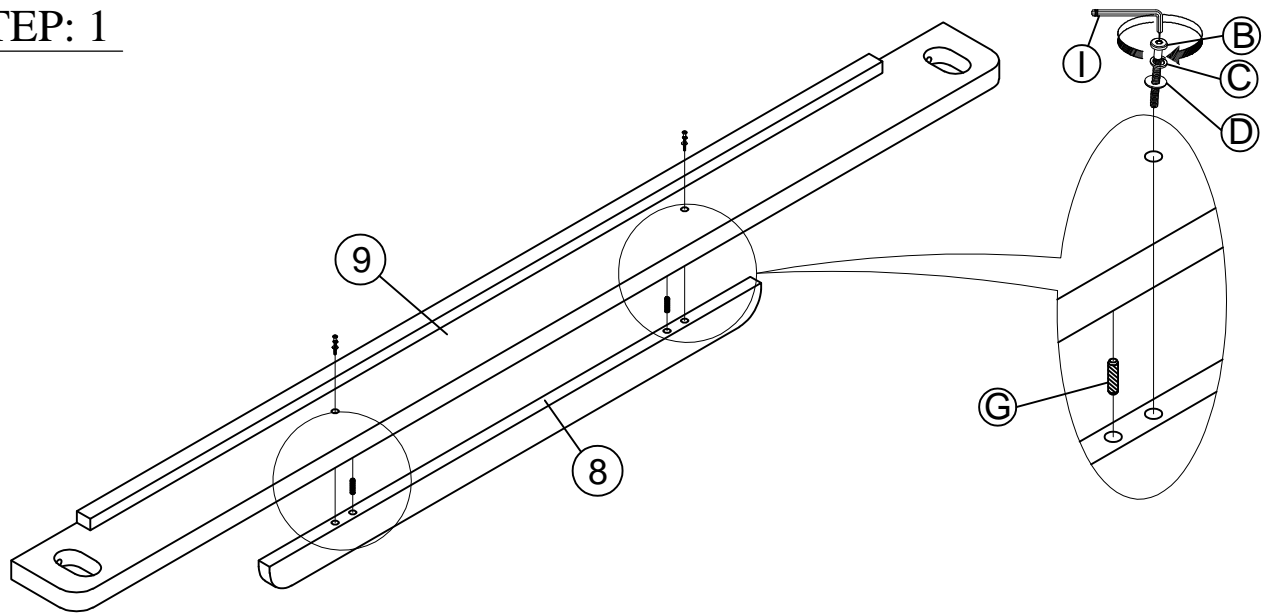
Hardware List

Ⓐ x 6PCS  Ø5/16"x80mm	Ⓑ x 14PCS  Ø1/4"x50mm	Ⓒ x 20PCS  Ø5/16"x13mm
Bolts	Bolts	Spring Washer
Ⓓ x 14PCS  Ø5/16"x19mm	Ⓔ x 6PCS  Ø5/16"	Ⓕ x 4PCS  5/16"*15 (9.5mm)
Flat Washer	Curved washers	Horizontal-Hole bolts
Ⓖ x 18PCS  Ø10x40mm	Ⓗ x 15PCS  Ø4x30mm	Ⓘ x 1PC  100*30*4mm
Wood dowel	Wood screws	Allen key

ASSEMBLY TOOLS REQUIRED (NOT INCLUDED)

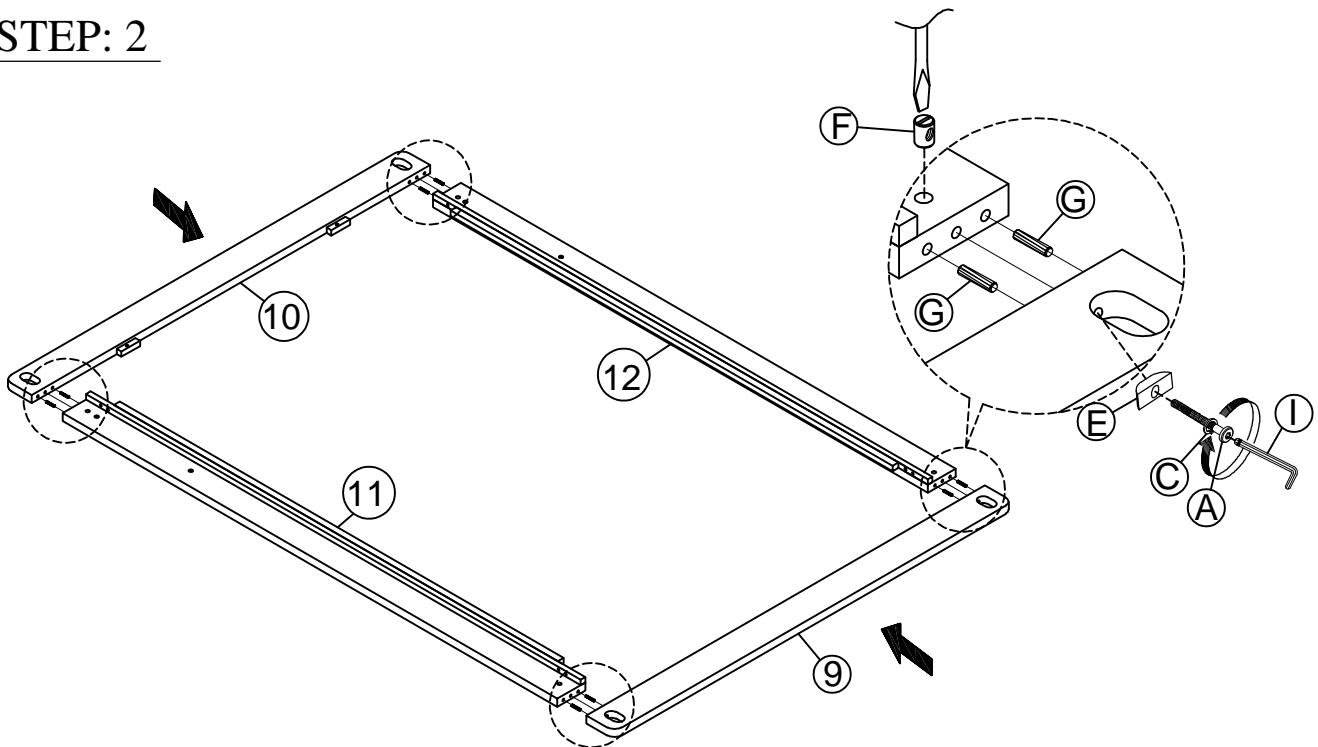


STEP: 1



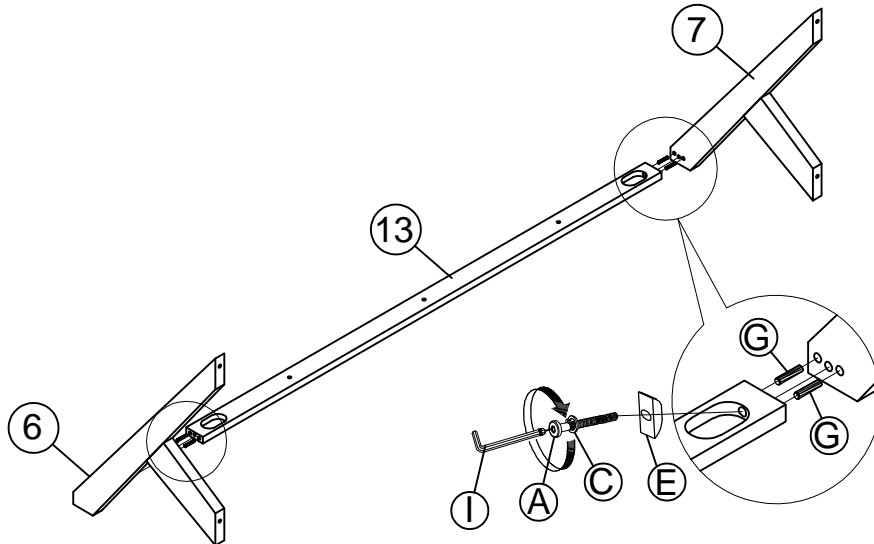
Assemble the support rail (8), to the footboard rail (9) using the wooden dowel (G), bolt (B), Spring Washer (C), flat washer (D), Allen key (I). Tighten all the bolts in this step.

STEP: 2



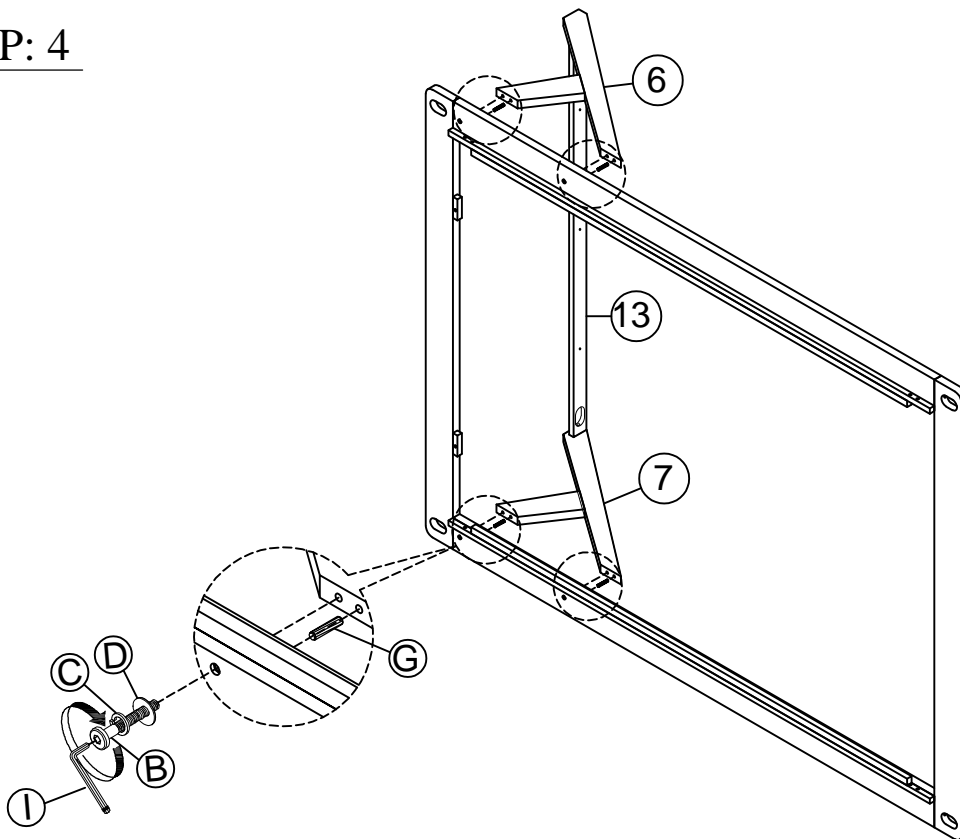
Assemble the left siderail (12), and the right siderail (11) to footboard rail (9), in step (1), and the headboard rail (10), using the wooden dowel (G), bolt (A), Spring Washer (C), curved washers (E), and horizontal-hole bolts (F). Tighten the bolts in this step.

STEP: 3



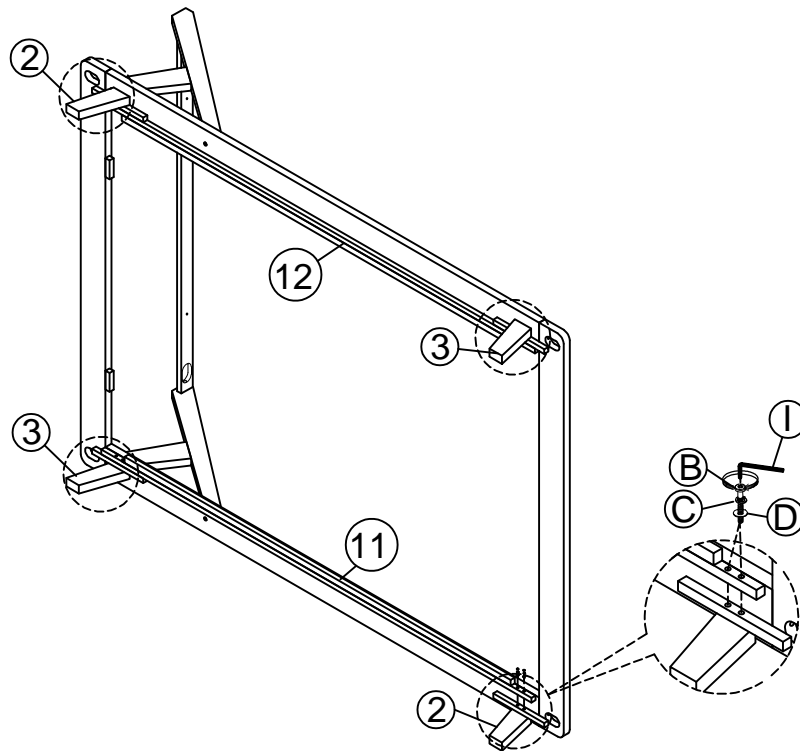
Assemble the support back headboard (13), into the left support headboard (6), the right support headboard (7) using the wooden dowel (G), bolt (A), Spring Washer (C), Washer (E), Allen key (I). Tighten all the bolts at this step.

STEP: 4



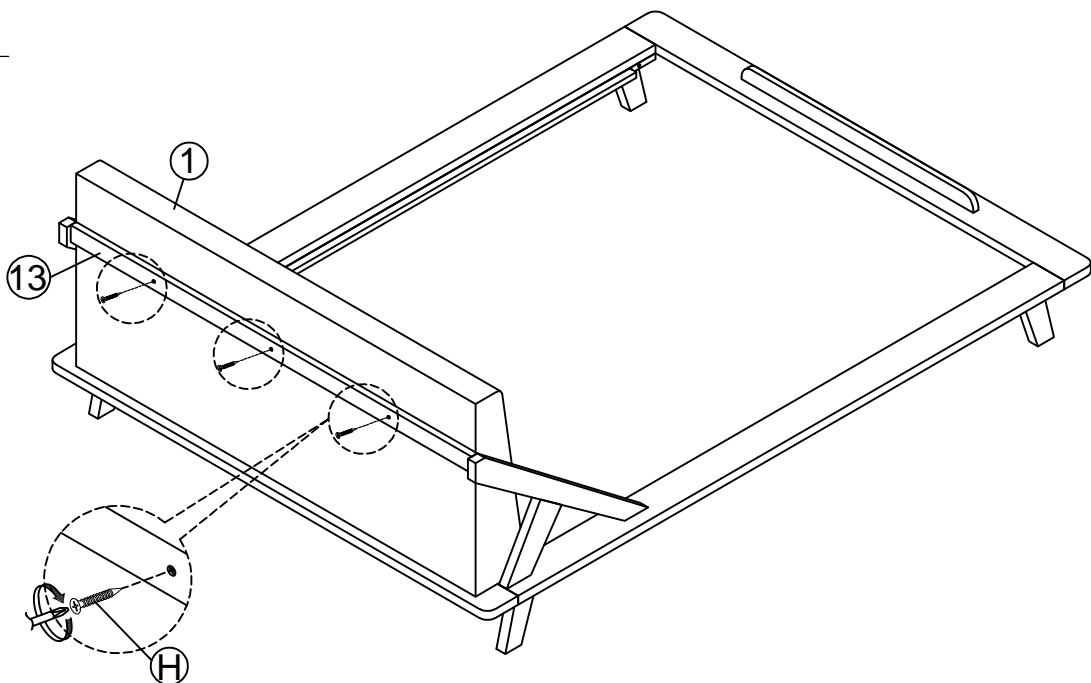
Assemble the part in step (3), into the part in step (2), using wooden dowel (G), bolt (B), Spring washer (C), flat washer (D), Allen key (I). Tighten all the bolts in this step.

STEP: 5



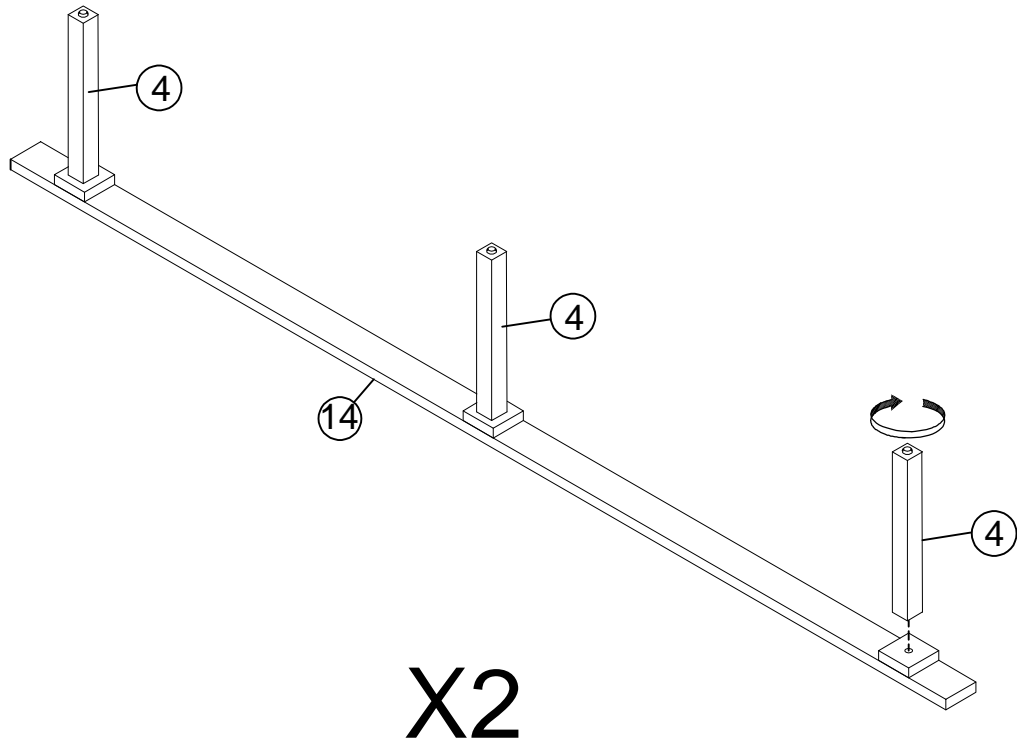
Assemble the Right legs (2), and the Left legs (3), into the Right siderail (11) and Left siderail (12), bolt (B), Spring washer (C), flat washer (D), Allen key (I). Tighten all the bolts in this step.

STEP: 6



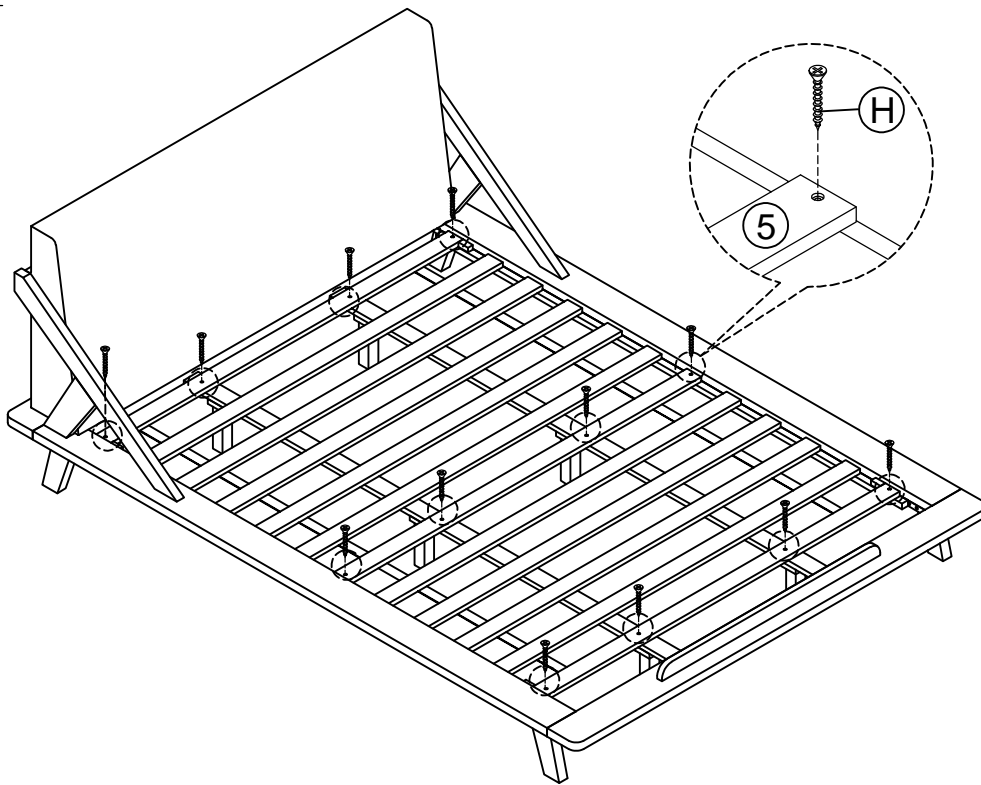
Assemble the headboard mattress (1), onto the support back headboard (13), and Wood screws (H). Be careful not to tighten too much.

STEP: 7



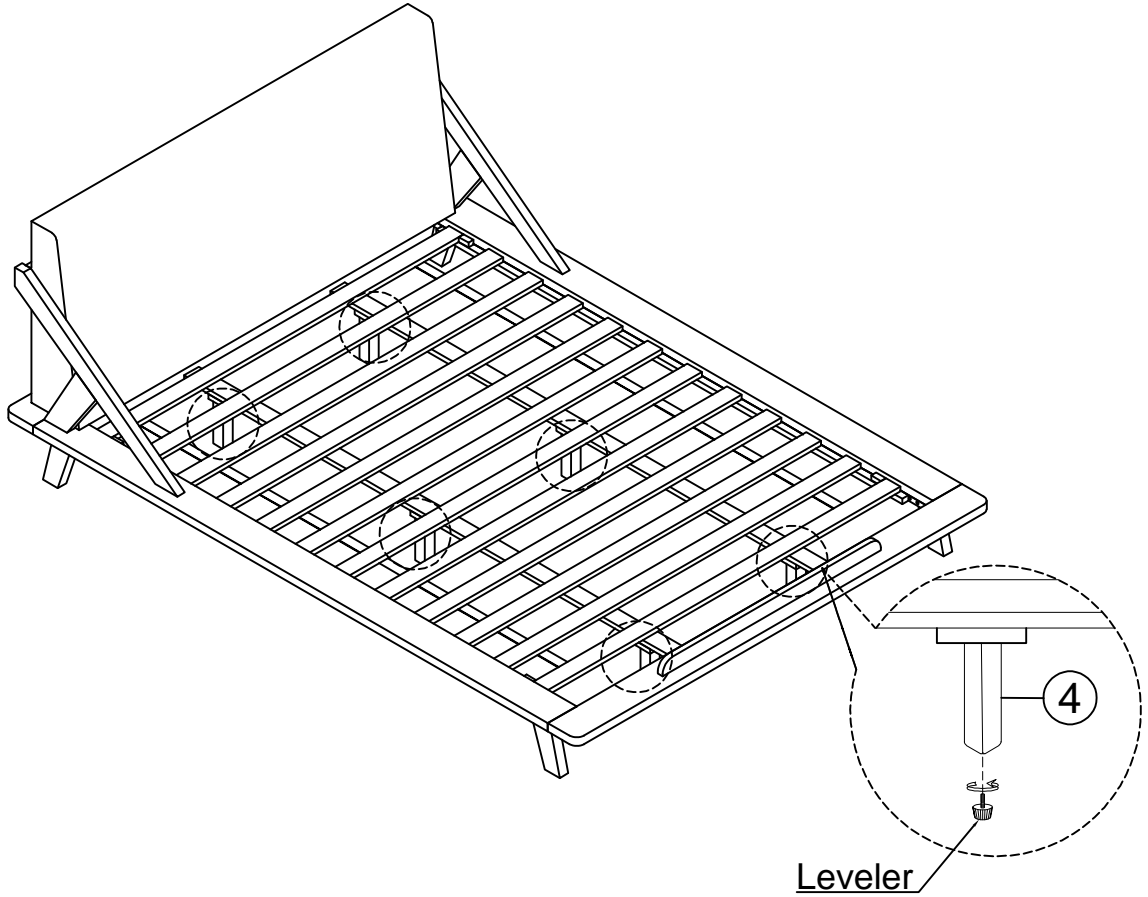
Assemble the support leg (4) into the Center support bar (14)

STEP: 8



Assemble the slat (5) onto the Center support bar (14), Right siderail (11) and Left siderail (12), using Wood screws (H). Be careful not to tighten too much.

STEP: 9



Adjust the leveler high and low to balance

FINAL

