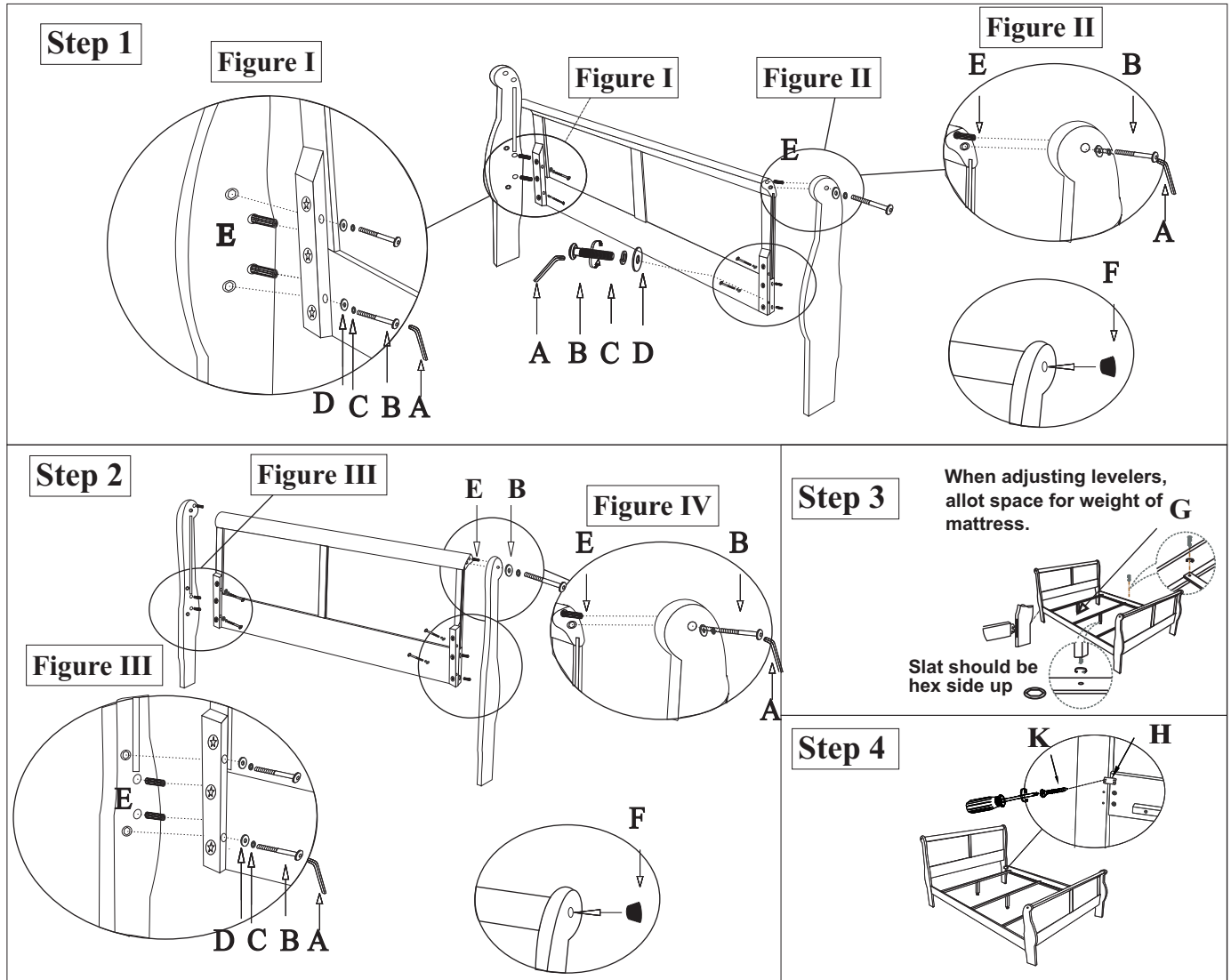


# ASSEMBLY INSTRUCTION

**BLACK:**  
**CHERRY:**  
**REAL WHITE:**  
**ANTIQUÉ GRAY:**  
**PLATINUM:**

*Thank you for purchasing this quality product. Be sure to check all packing material carefully for small parts that may have come loose inside the carton during shipment.*



| Step  | No. | Hardware           | Qty |
|-------|-----|--------------------|-----|
| 1 & 2 | A   | Allen wrench 4mm   | 1   |
|       | B   | Bolt 1/4 x32mm     | 12  |
|       | C   | Spring Washer 1/4" | 12  |
|       | D   | Washer 1/4"x14x2   | 12  |
|       | E   | Wood Dowel 10.7x30 | 12  |
|       | F   | Wood Plug 16.3x6   | 4   |
| 3     | G   | Wood Screw 4x30    | 6   |
| 4     | H   | Iron 60x40         | 4   |
|       | K   | Wood Screw 3.5x15  | 16  |

## Part List

