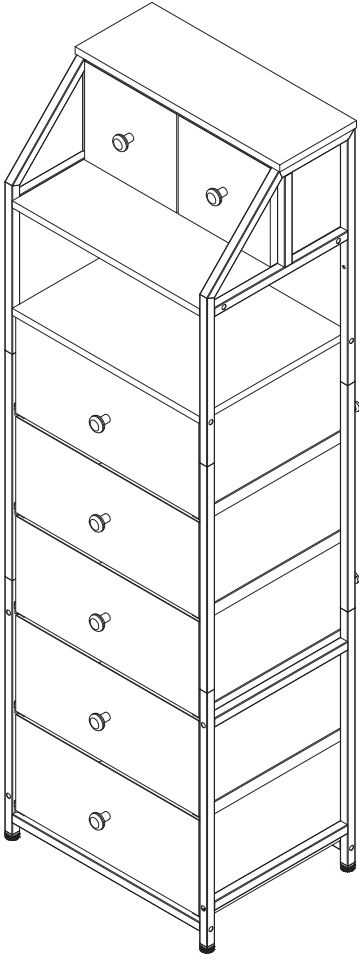
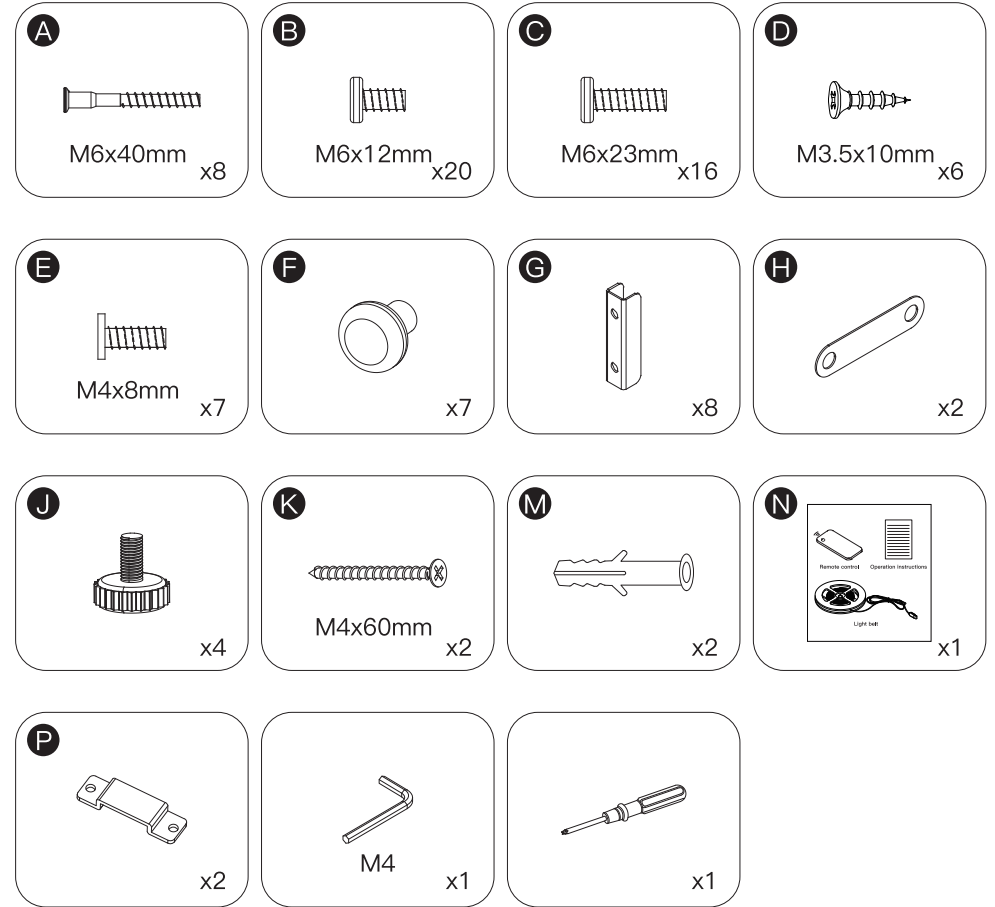
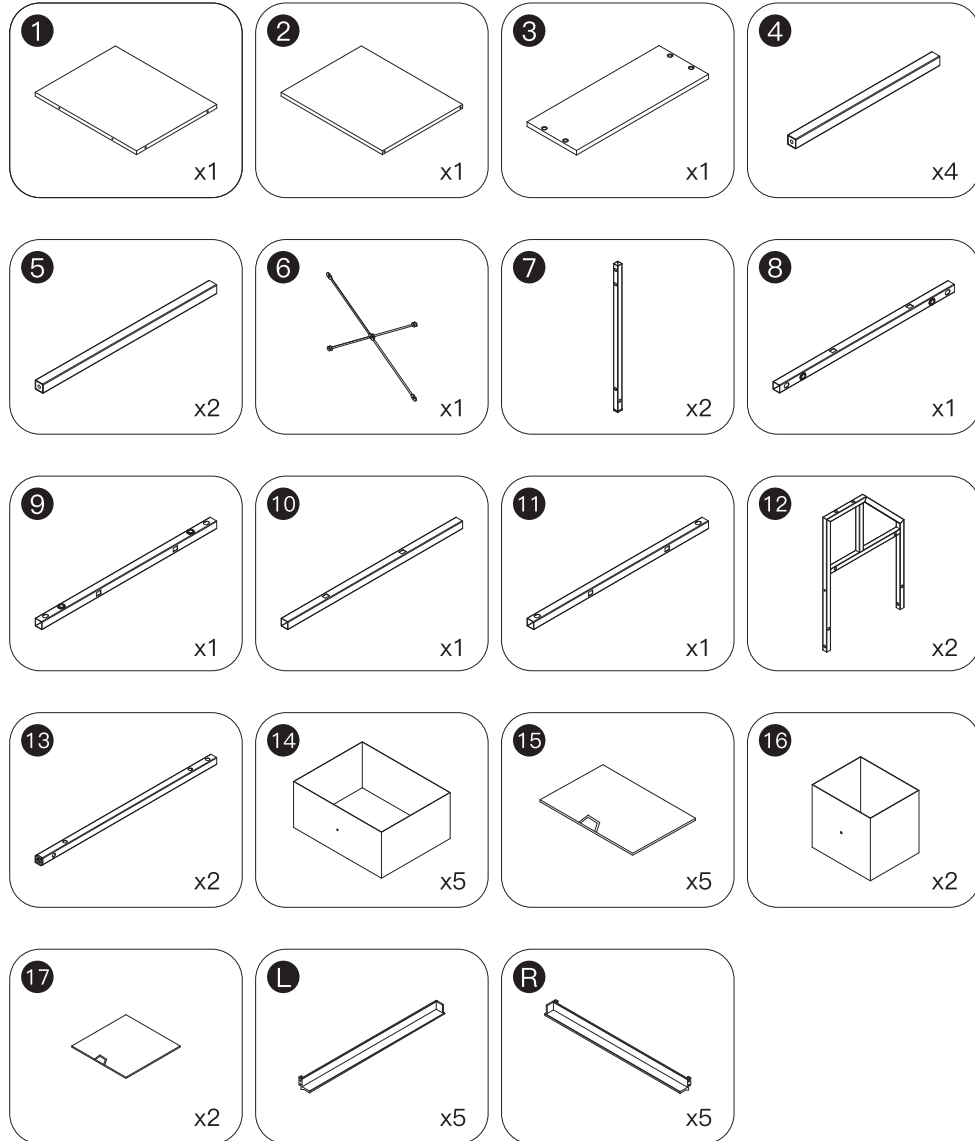


# ASSEMBLY INSTRUCTION



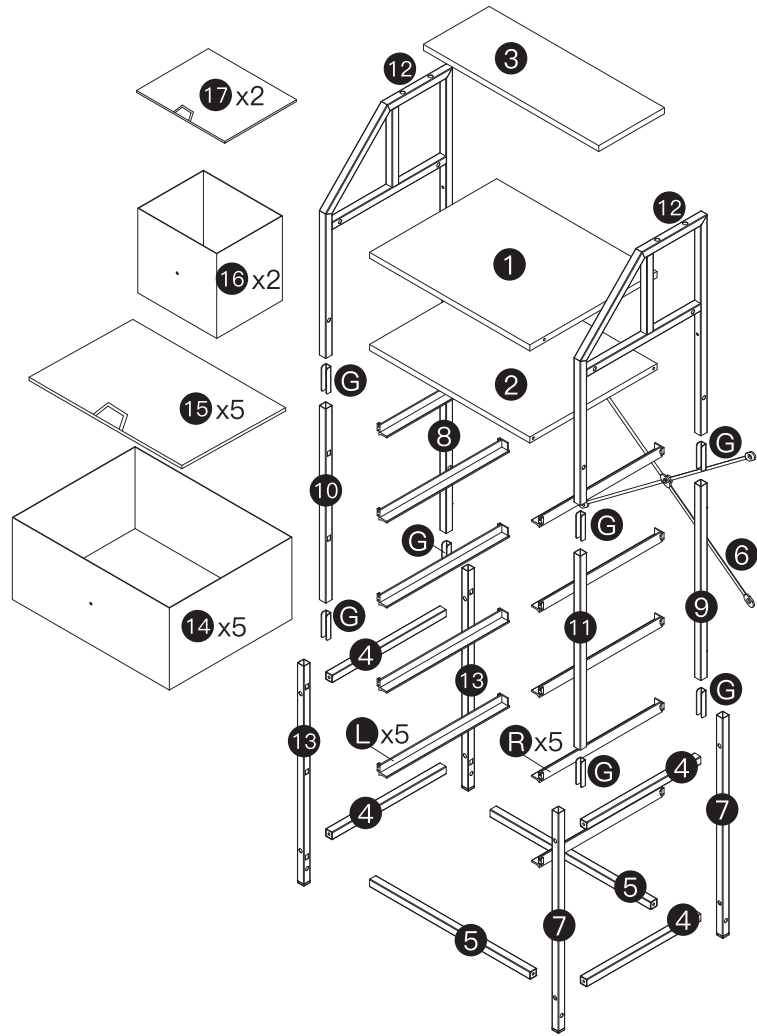
Please check all parts and accessories according to the parts list before assembling, make sure all contents are sufficient and in good condition.  
 If there is any parts missing or defective, please contact us immediately with purchase platform message to get replacement parts.

## PARTS:



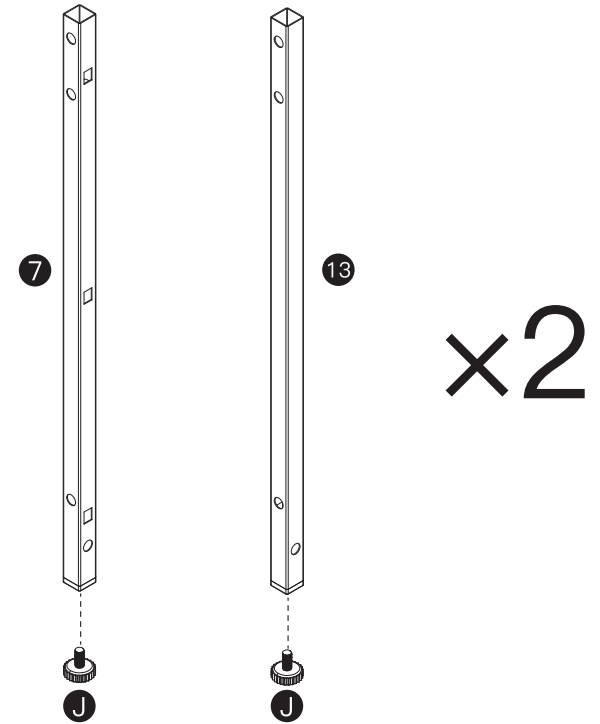
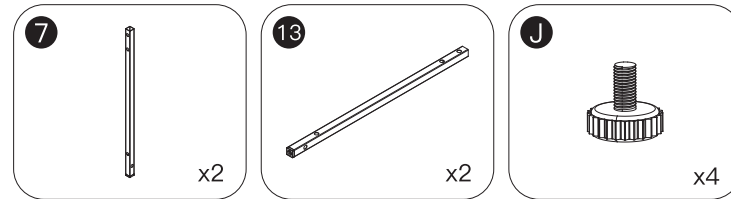
**!** Do not tighten the screws until all of them are in right position.

# EXPLODED DRAWING:

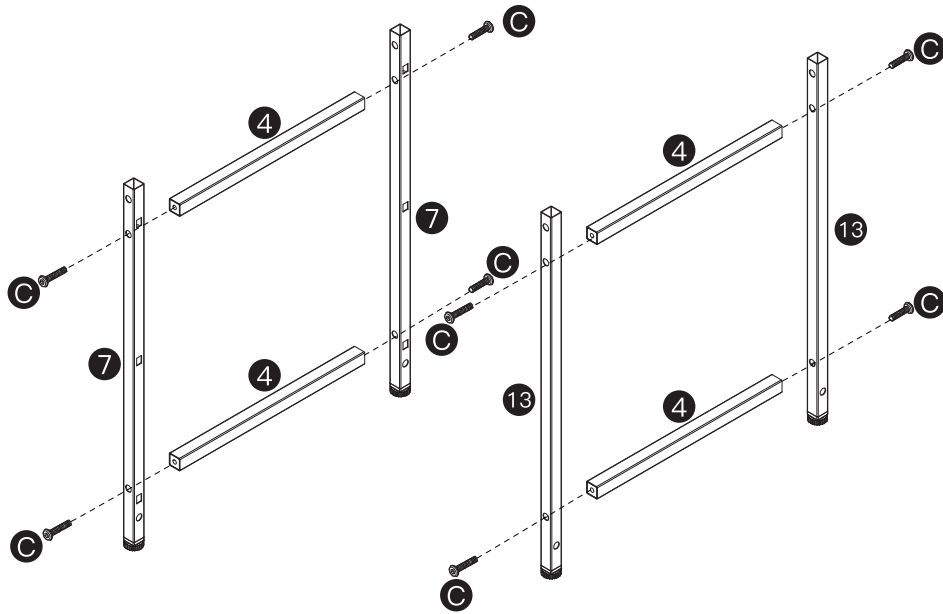
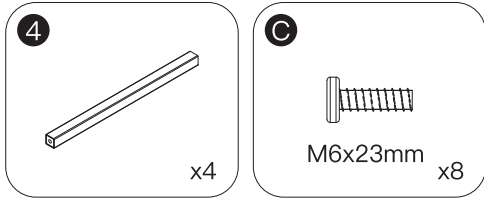


# HOW TO INSTALL

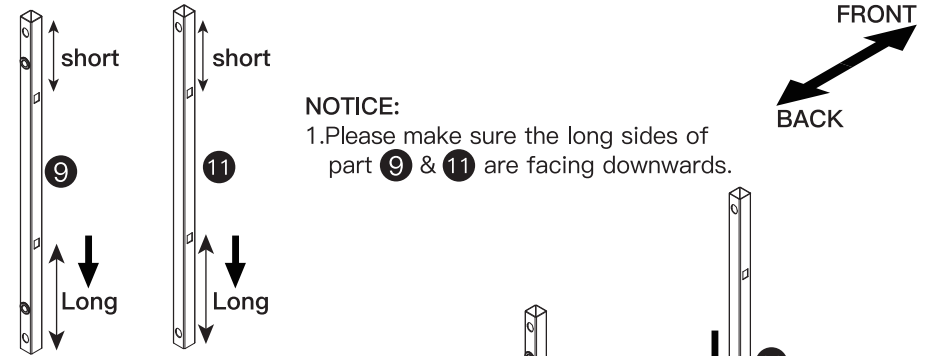
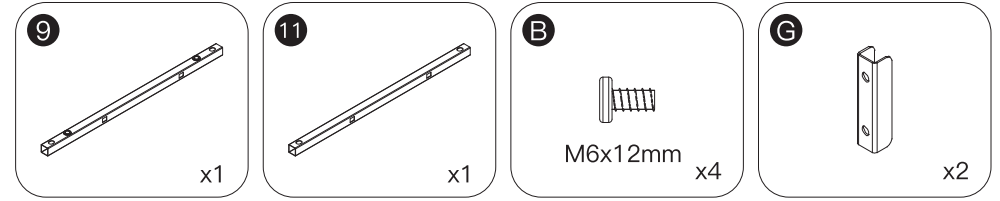
## STEP 1



## STEP 2

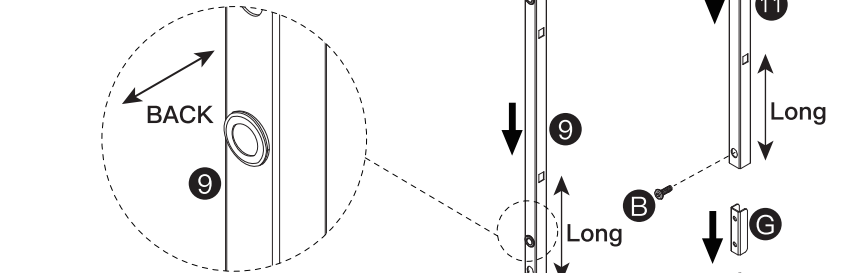


## STEP 3

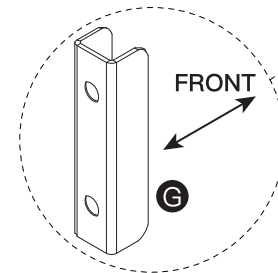


### NOTICE:

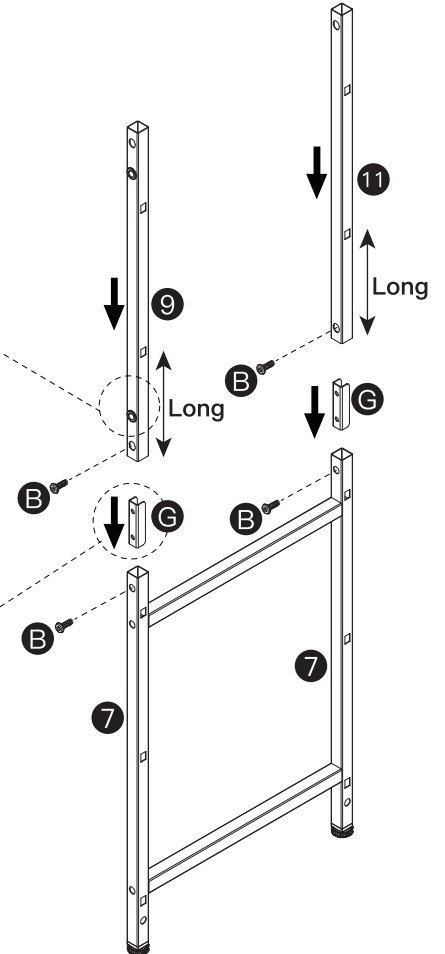
1. Please make sure the long sides of part 9 & 11 are facing downwards.



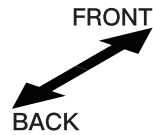
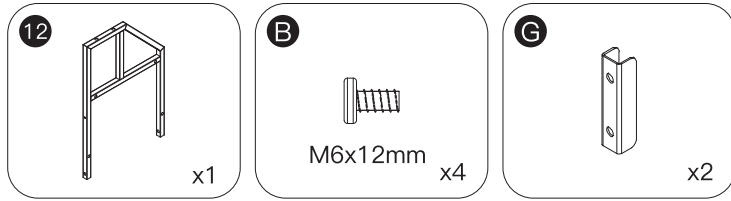
2. Please make sure the holes in part 9 is facing backwards.



3. Please make sure special part of G is facing frontwards.

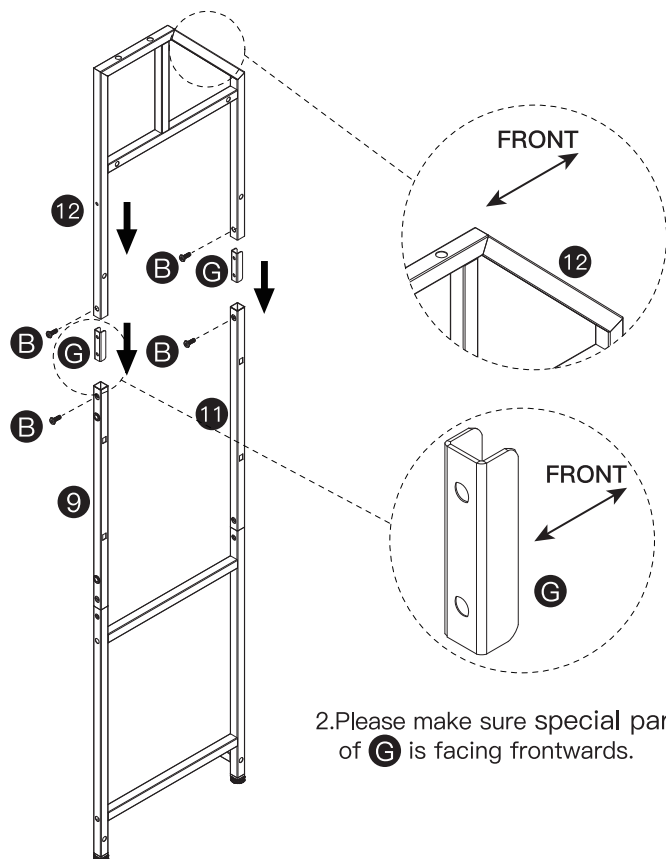


## STEP 4



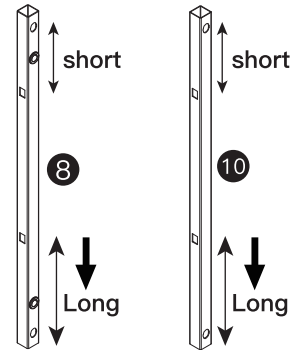
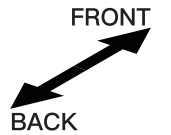
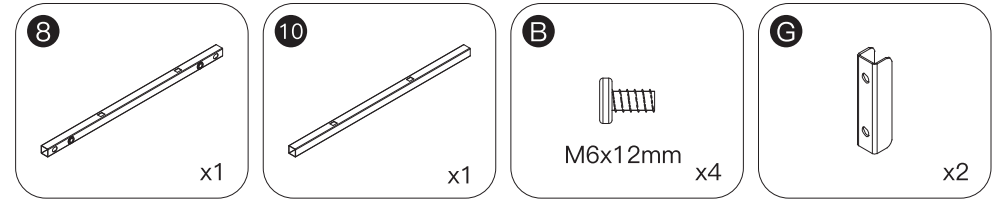
### NOTICE:

1. Please make sure special part of 12 is facing frontwards.



2. Please make sure special part of G is facing frontwards.

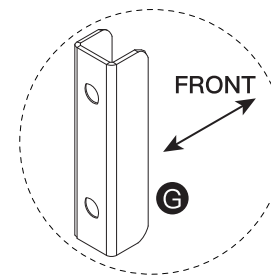
## STEP 5



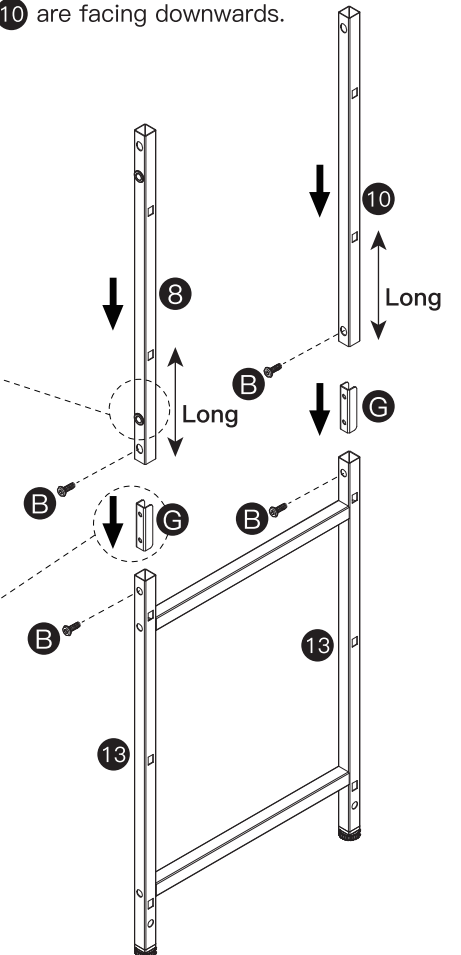
### NOTICE:

1. Please make sure the long sides of part 8 & 10 are facing downwards.

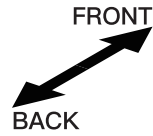
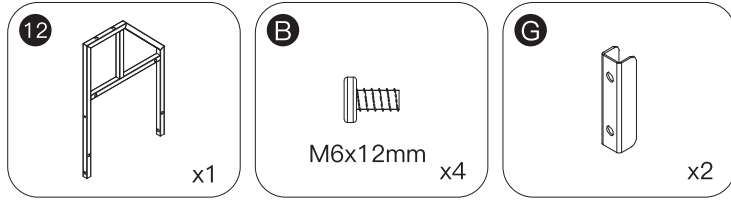
2. Please make sure the holes in part 8 is facing backwards.



3. Please make sure special part of G is facing frontwards.

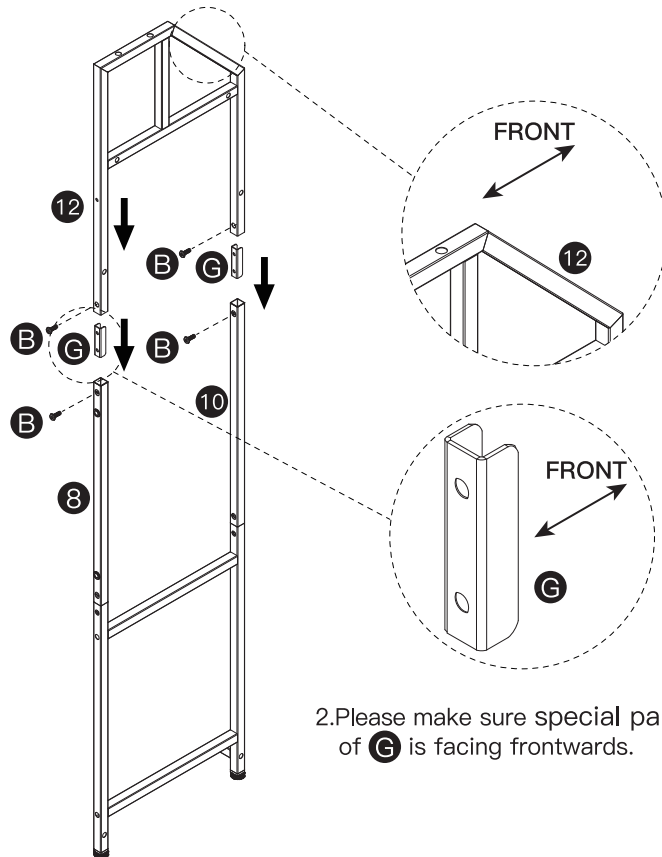


## STEP 6



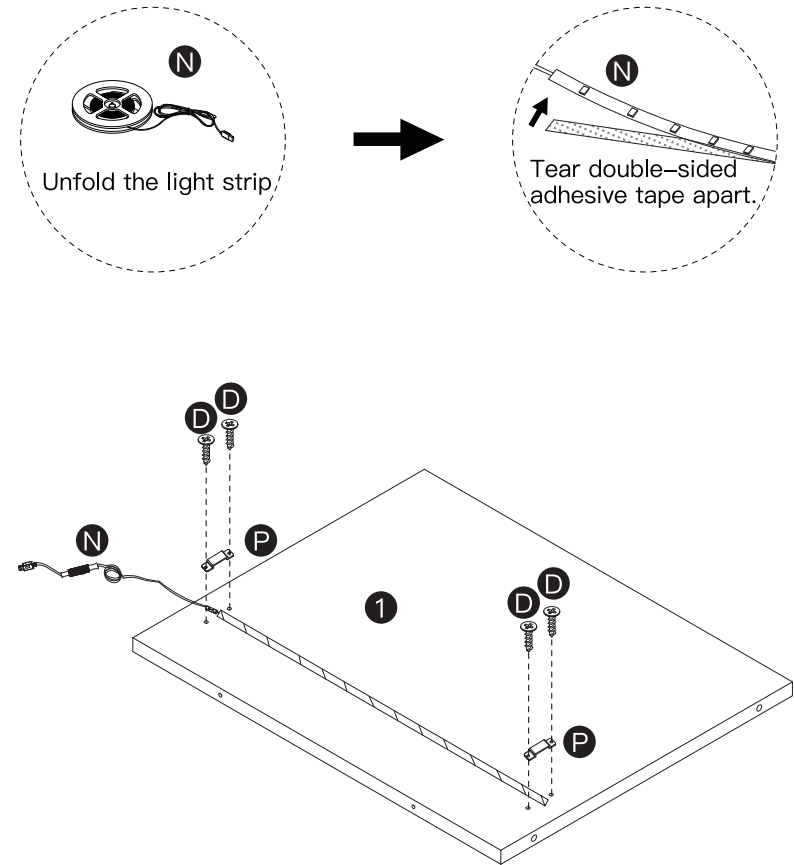
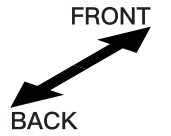
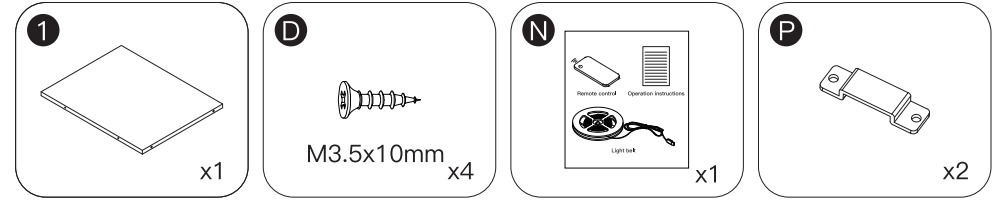
### NOTICE:

1. Please make sure special part of 12 is facing frontwards.

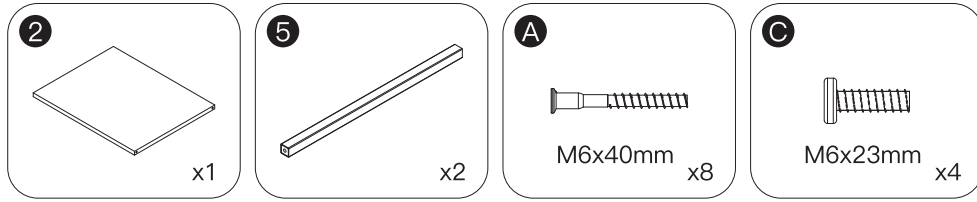


2. Please make sure special part of G is facing frontwards.

## STEP 7

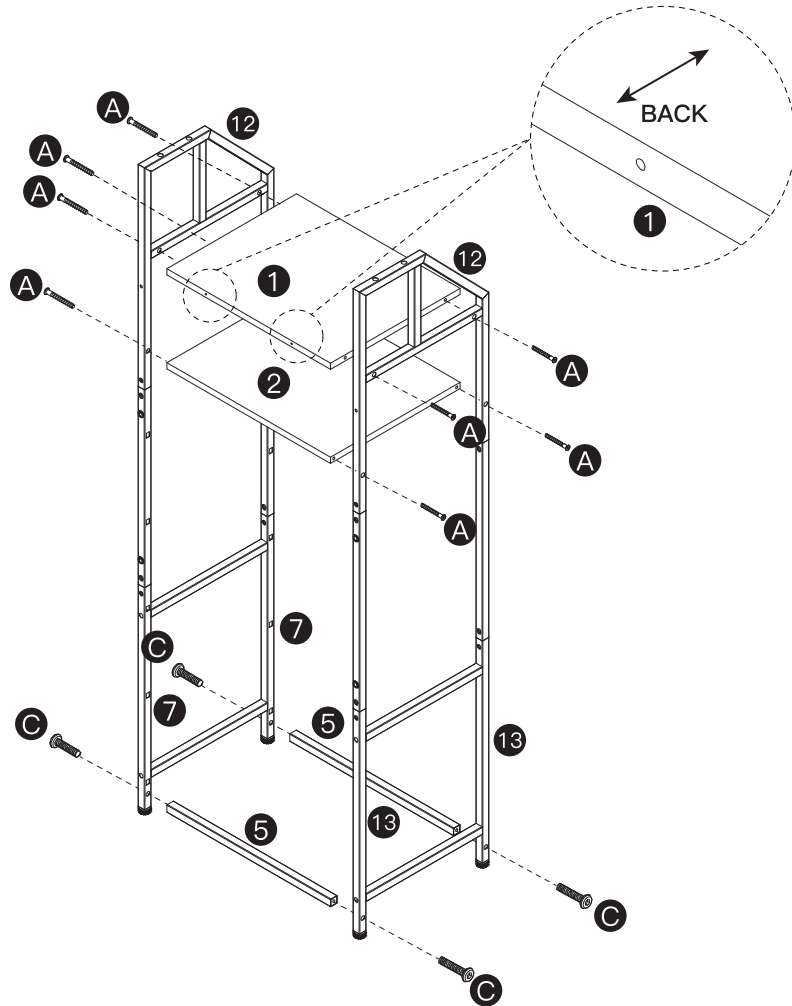
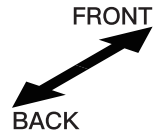


## STEP 8

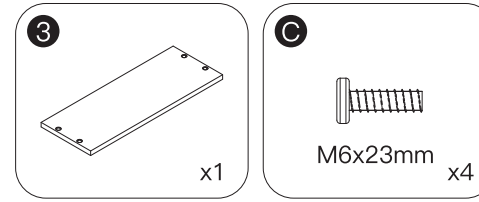


### NOTICE:

1. Please make sure the holes in part 1 is facing backwards.
2. Do not tighten all screws until the 10 step is fully installed.

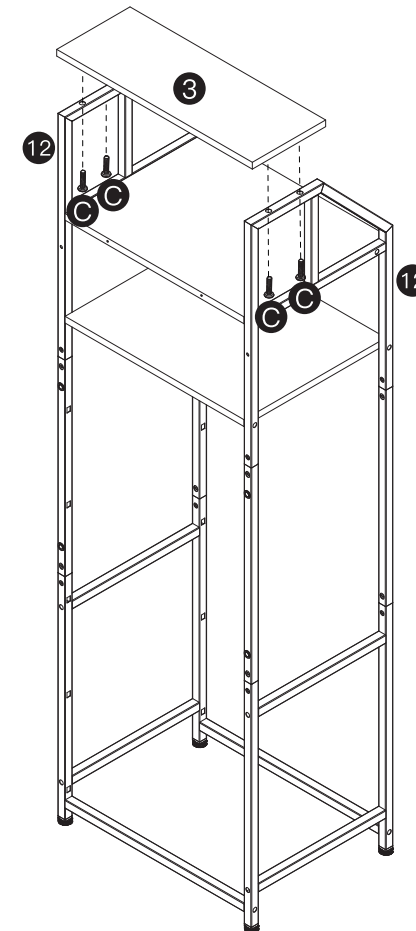
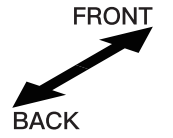


## STEP 9

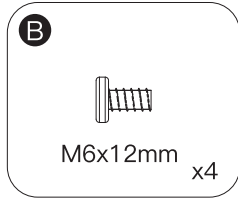
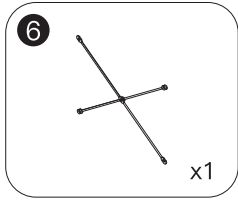


### NOTICE:

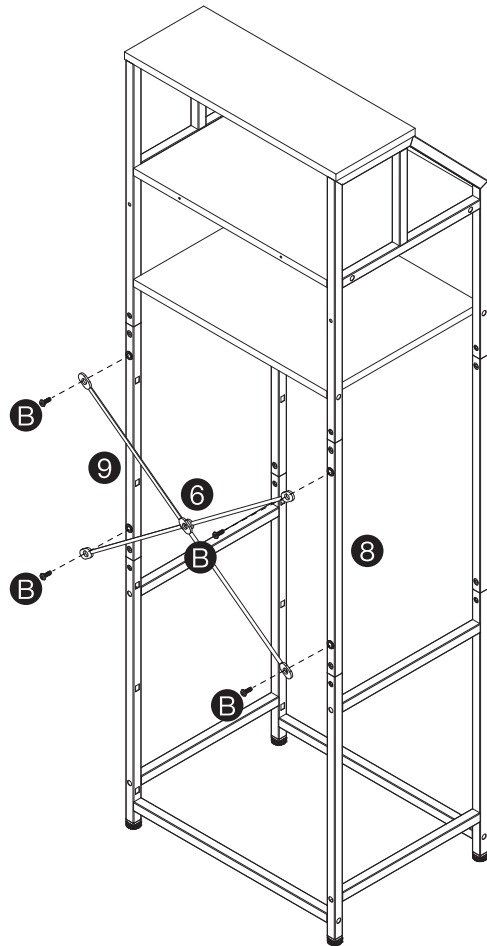
- Do not tighten all screws until the 10 step is fully installed.



## STEP 10

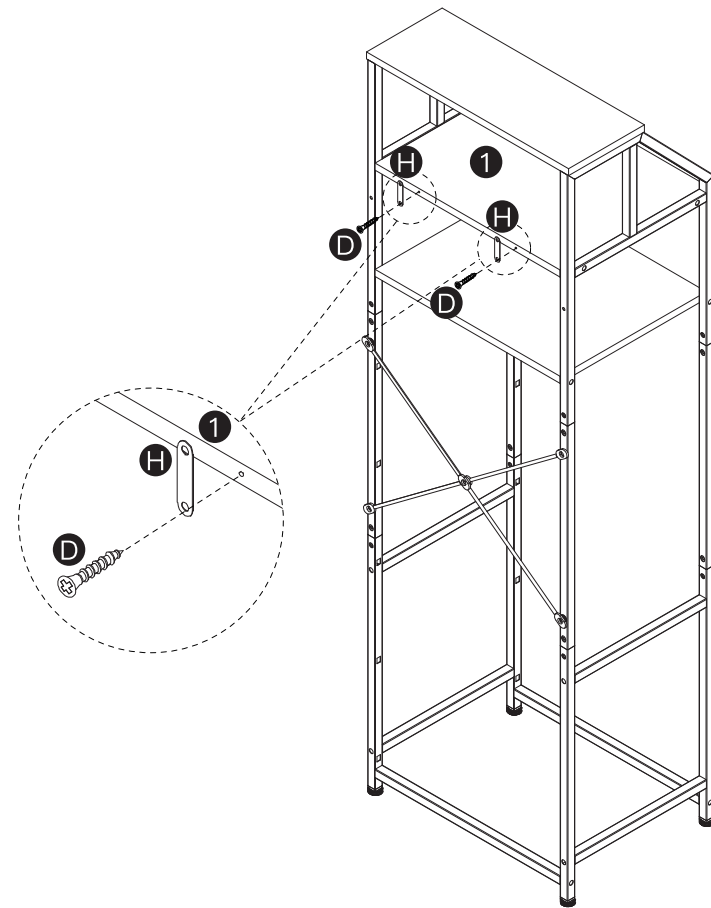
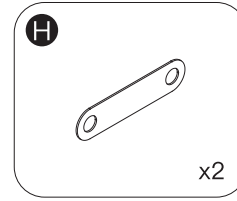
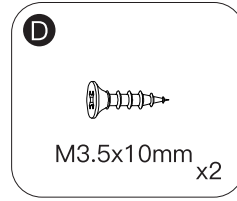


NOTICE:  
Please tighten all screws.



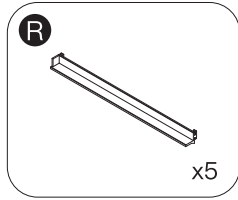
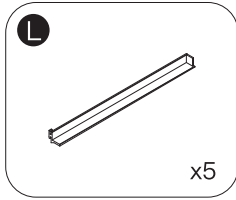
FRONT  
BACK

## STEP 11

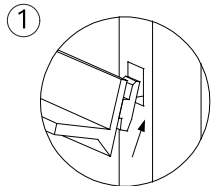
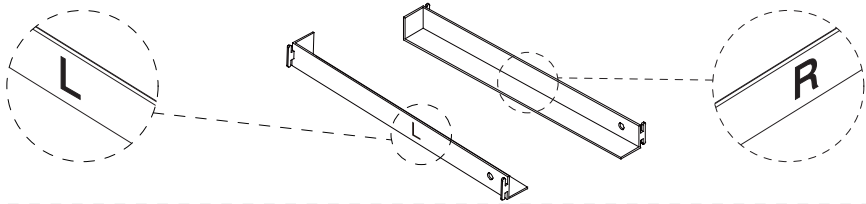


FRONT  
BACK

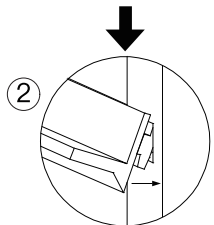
# STEP 12



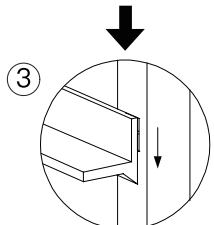
**NOTICE:**  
There's a corresponding L and R mark on each part located in a specified spot designed to distinguish them from each other easily.



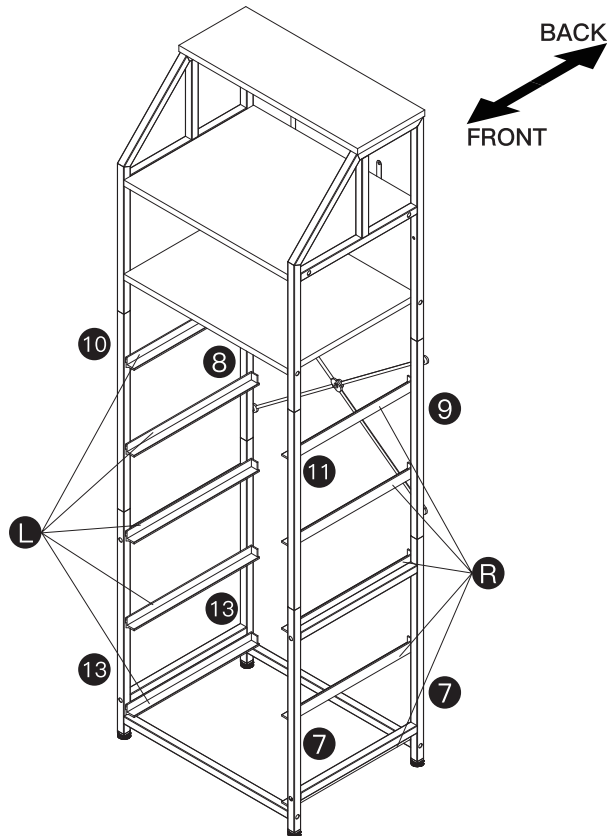
Insert the upper part into the square hole.



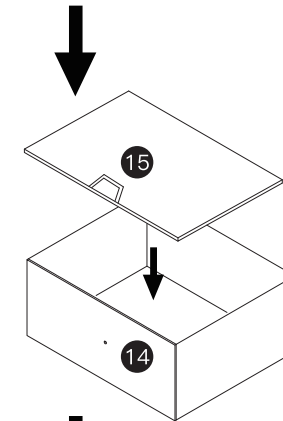
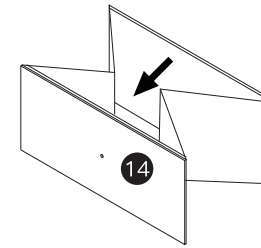
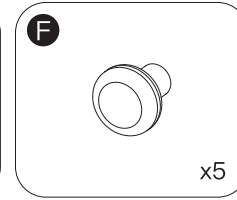
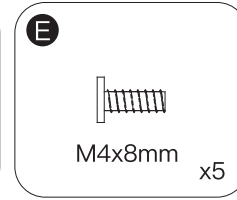
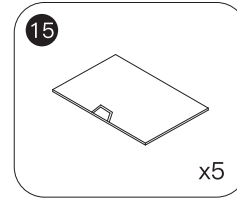
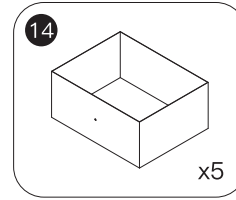
Then insert the rest part horizontally.



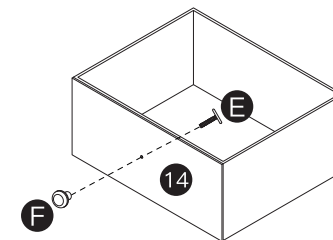
Press down the rail to ensure proper installation.



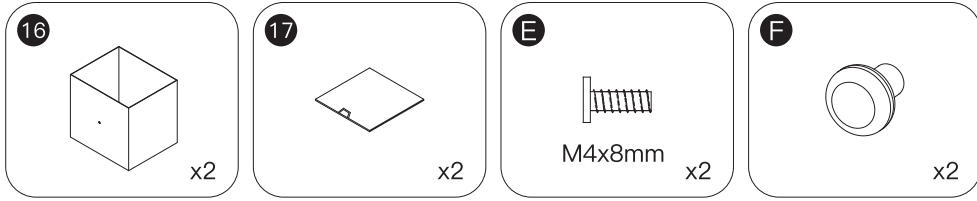
# STEP 13



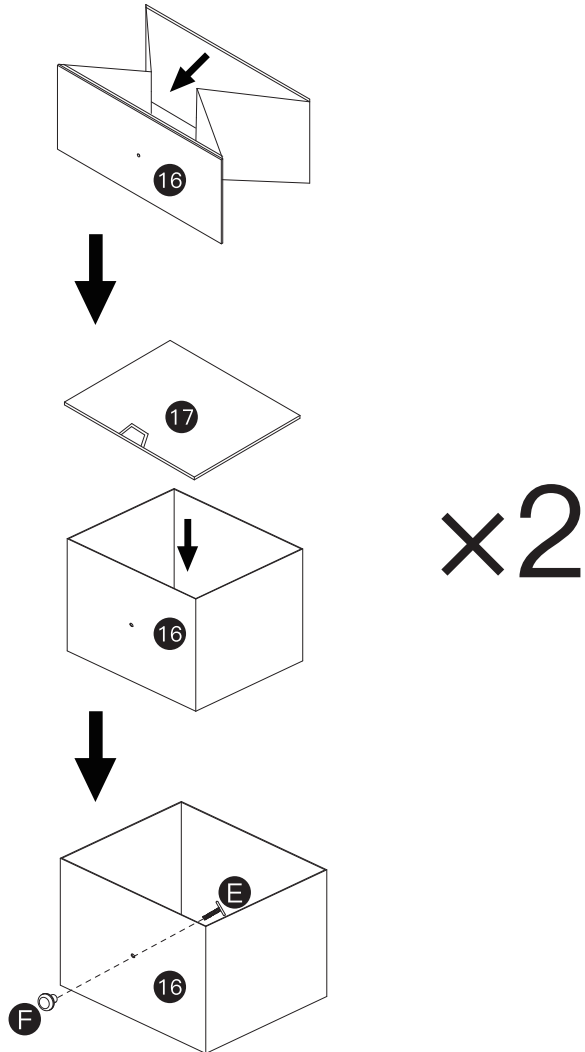
x5



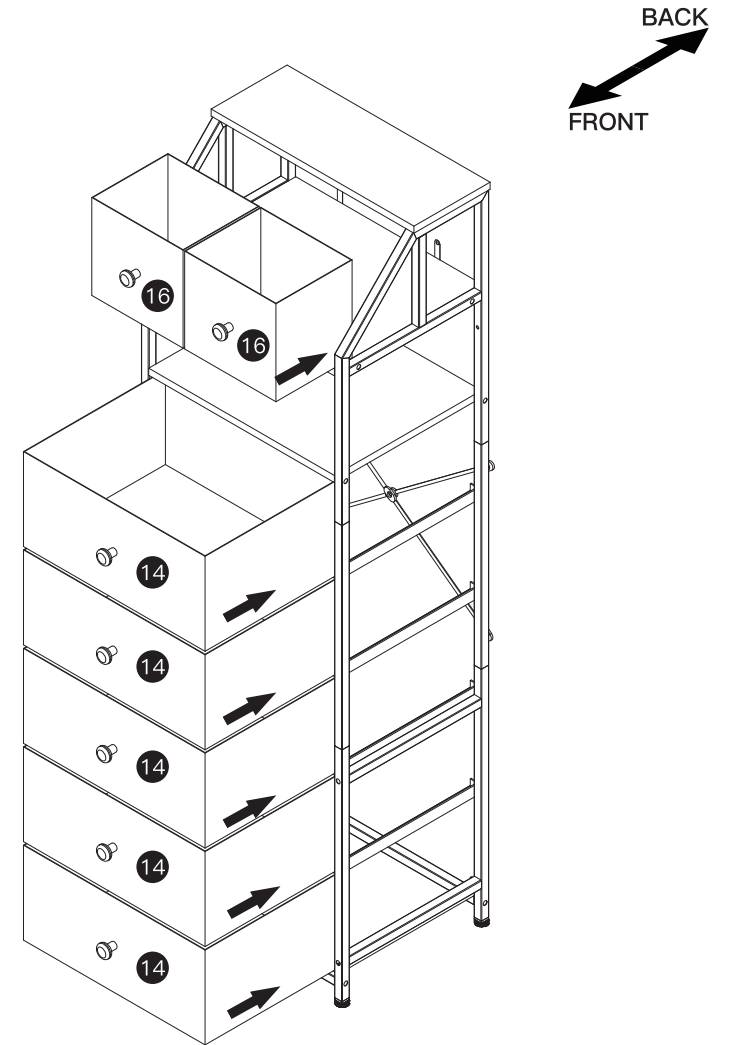
# STEP 14



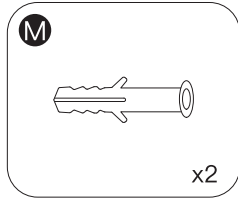
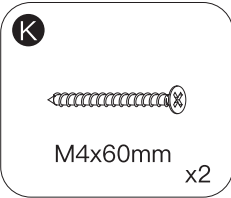
**NOTICE:**  
Please pay attention to the direction of part 17.



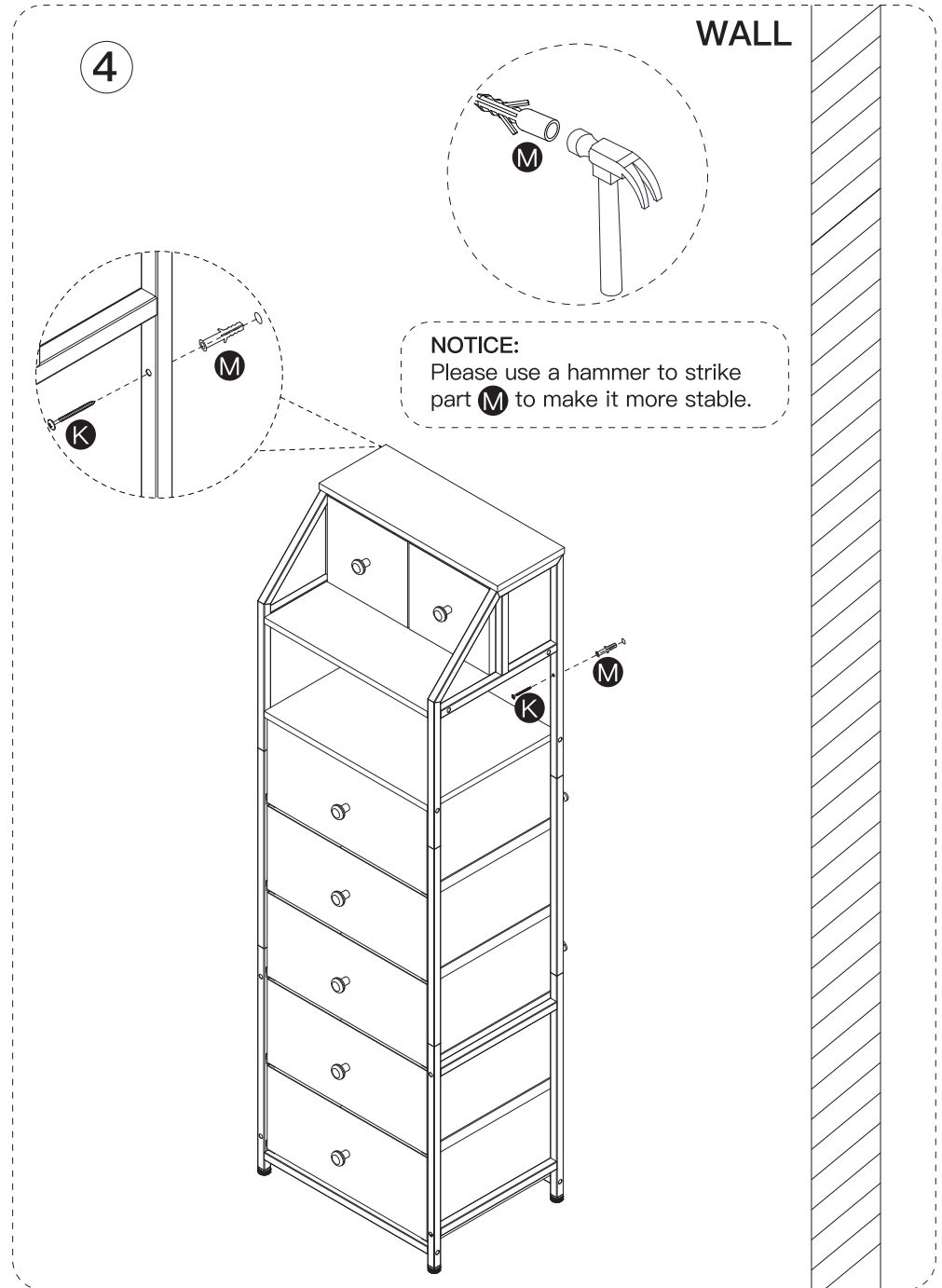
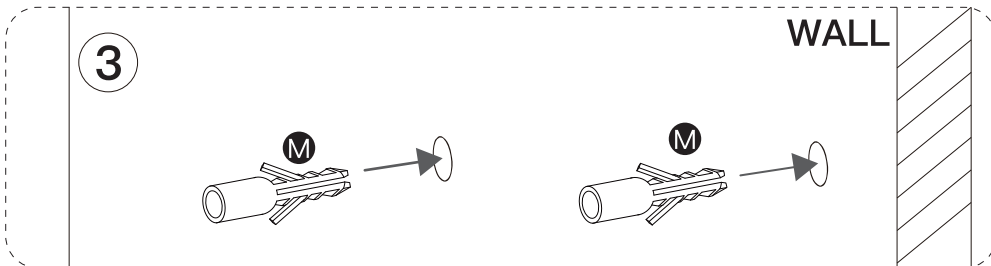
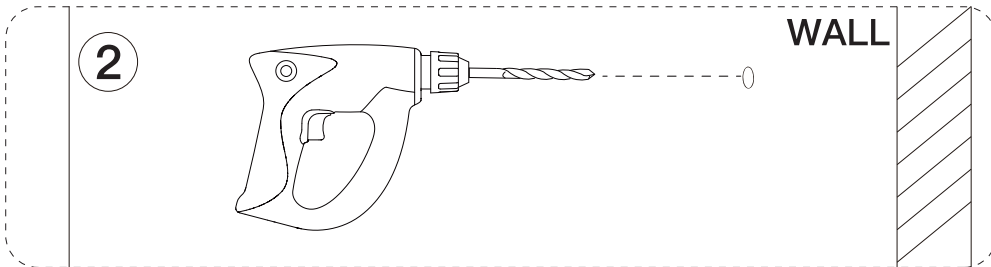
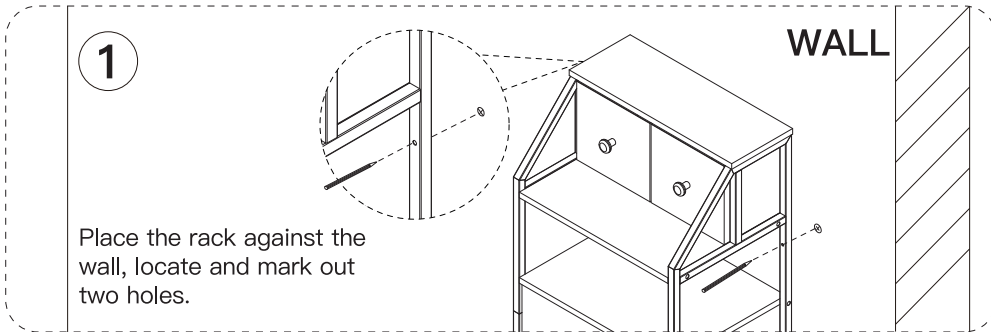
# STEP 15



# STEP 16



**NOTICE:**  
Electric drill and hammer does no included  
in our parts, please prepare it by yourself.



## **AFTERSALE SERVICE**

**Dear customer,**

Thank you so much for purchasing the product from us, we really appreciate your support.

We are aimed to provide the best shopping experience to our customers. We also want to build a mutually beneficial relationship with our customers, and step further to make our brand both reliable, responsible and recommendable.

We hope that our products could meet your needs and expectations, please consider us again if you need more products for your home and kitchen.

The package would be out of our control during shipping, please contact us through your purchasing channel directly if there is anything wrong with the box or contents. We are always here offering you our service.

We will reply your messages as soon as possible, please kindly wait for the response from our team.

Your comfort and contentment are of utmost importance.

Best Regards,  
Customer Care Specialist