


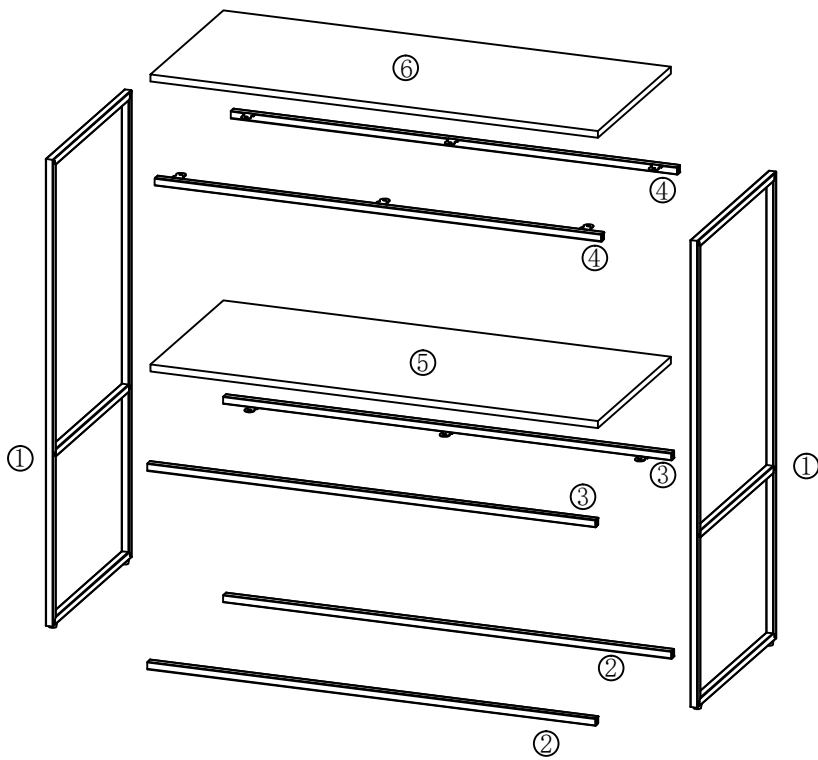
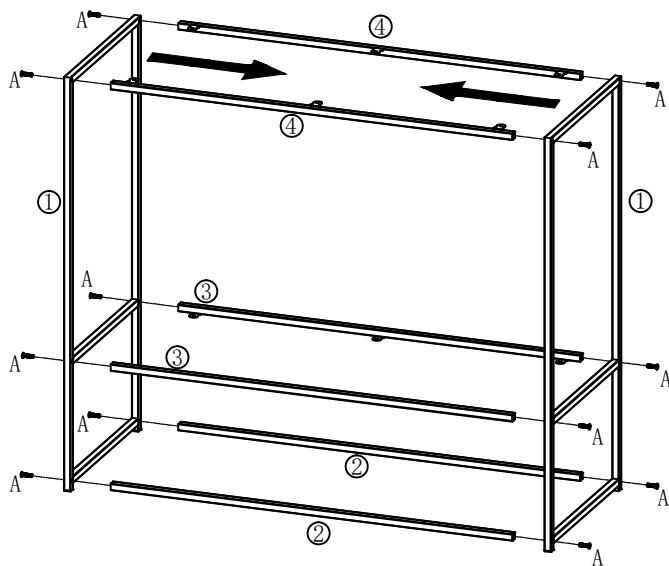


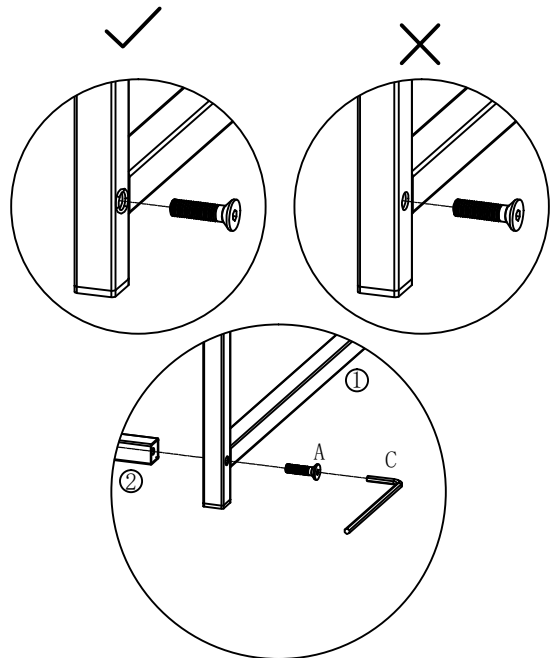
A	×12	B	×12	C	×1
					
M5×25		∅4×10		M3	



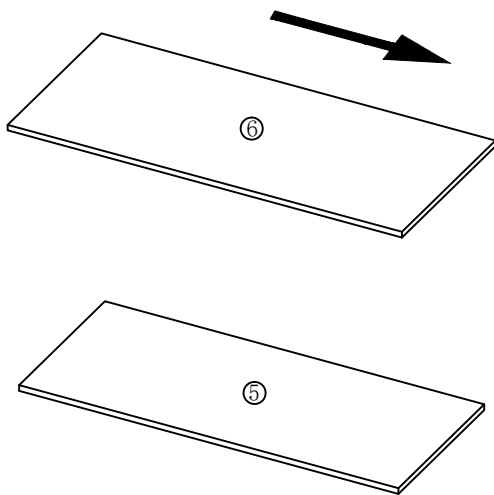
1▷



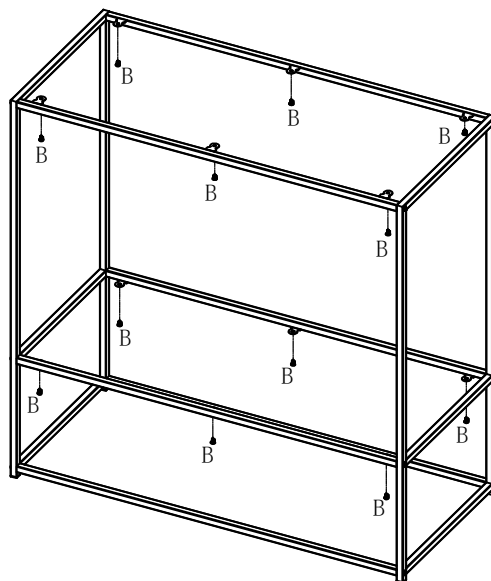
A	×12	C	×1
M5 × 25		M3	



2▷



B	×12	
Ø4 × 10		



3▷

