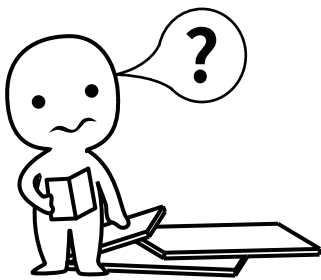


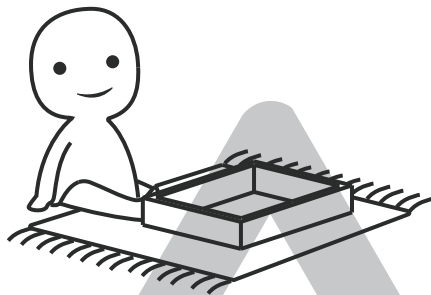
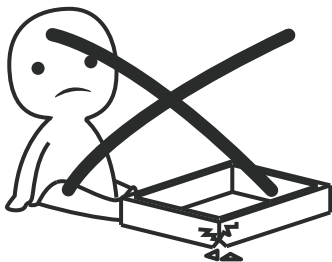
INSTALLATION

Product Manual



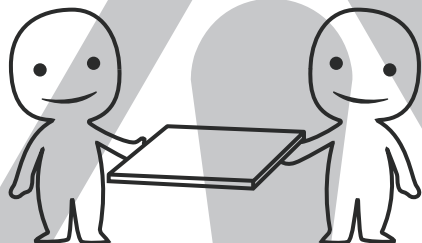
IMPORTANT INFORMATION!

please read the entire manual before starting to assemble and/or using this product. follow the manual thoroughly and keep it for further reference.



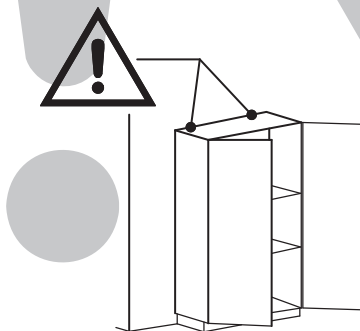
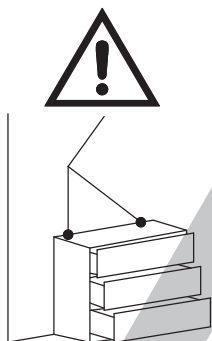
AVOID SCRATCHES!

In order to avoid scratching this furniture should be assembled on a soft layer- could be a rug.



IMPROVE EFFICIENCY !

Try to find a partner to install with you, which can speed up the installation efficiency and shorten the time.



ANTI-TOPPLE WARNING !

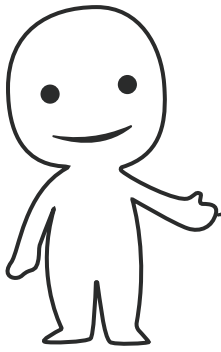
Overturned furniture can cause serious or fatal crush injuries. To prevent tipping over, be sure to use the wall attachment, if not included with this product. Please purchase the wall attachment that fit your wall. If unsure, seek professional advice. Please read and follow each step of the instructions carefully.

IMPORTANT !

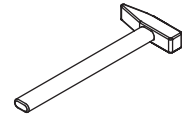
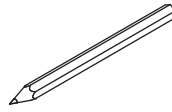
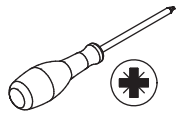
It is important that any product which is assembled using any kind of screw is re-tightened 2 weeks after assembly, and once every 3 months - in order to assure stability through-out the lifespan of the product.

For regular maintenance and cleaning of the product, for the frame, please use a rag dipped in neutral detergent to fully wipe it, and then dry it with a clean rag. For glass materials, wipe with a rag dampened with water glass cleaner, and then dry with a dry rag.

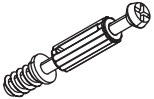
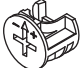

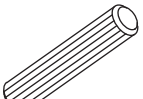
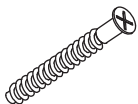





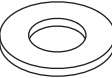




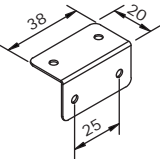




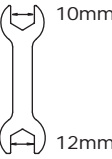
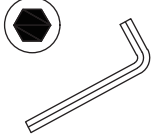
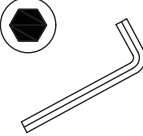
Do not use an electric screwdriver, and do not use too much force when installing, because the board is easy to break.

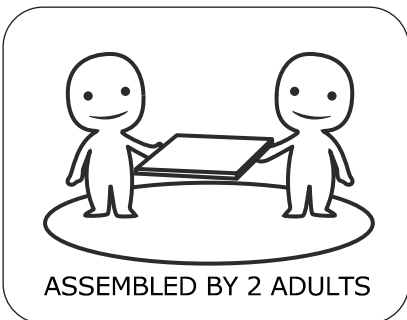
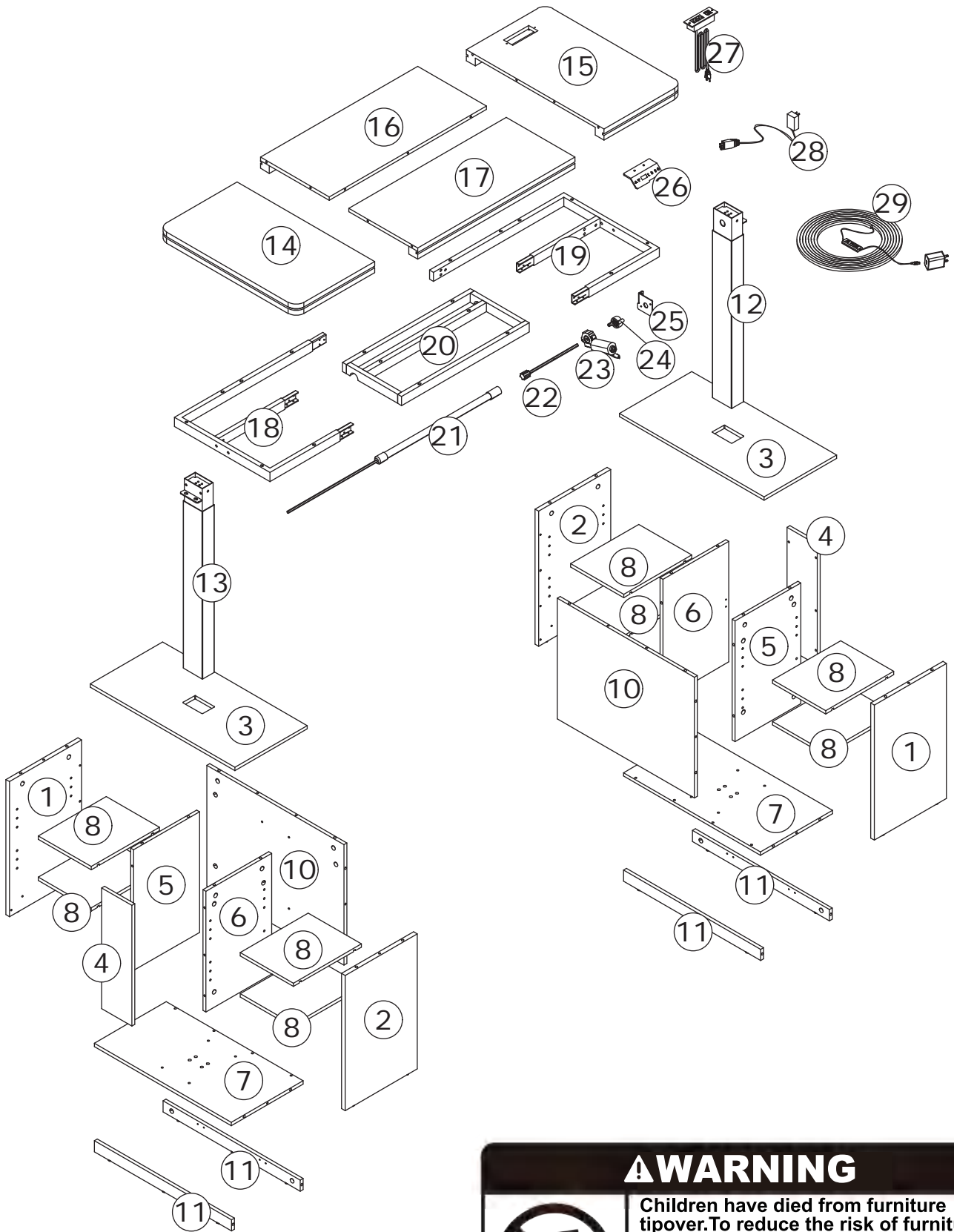


Please prepare the following tools



When installing, please carefully confirm whether each screw corresponds to the manual, accessories with similar shapes can be distinguished by size

A x 60  M5 x 42 mm	B x 60  Ø 15 x 10 mm	C x 8  M8 x 35 mm	D x 66  M3.5 x 12 mm	E x 24  Ø 6 x 40 mm
F x 12  M5 x 40 mm	G x 29  M6 x 12 mm	H x 8  M6 x 30 mm	I x 18  M6 x 50 mm	J x 2  M4 x 45 mm
K x 11  Ø 8 x 40 mm	L x 2  M4 x 1 x Ø 12 mm	M x 2  M4	N x 2  M6 x 12 mm	O x 2  M5 x 10 mm
P x 8  M4	Q x 8  M4	R x 3  #5	S x 18  Ø 15 x Ø 6 x 2 mm	T x 32  #4
x 1  M4	x 1  10mm 12mm	x 1  #5	x 1  #4	



⚠ WARNING

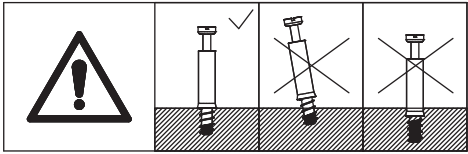
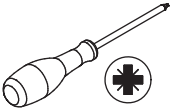
Children have died from furniture tipover. To reduce the risk of furniture tipover:

- ALWAYS install Anti-tip device provided.
- NEVER put a TV on this product.
- NEVER allow children to stand, climb or hang on drawers, doors, or shelves.
- NEVER open more than one drawer at a time.
- Place heaviest items in the lowest drawers.

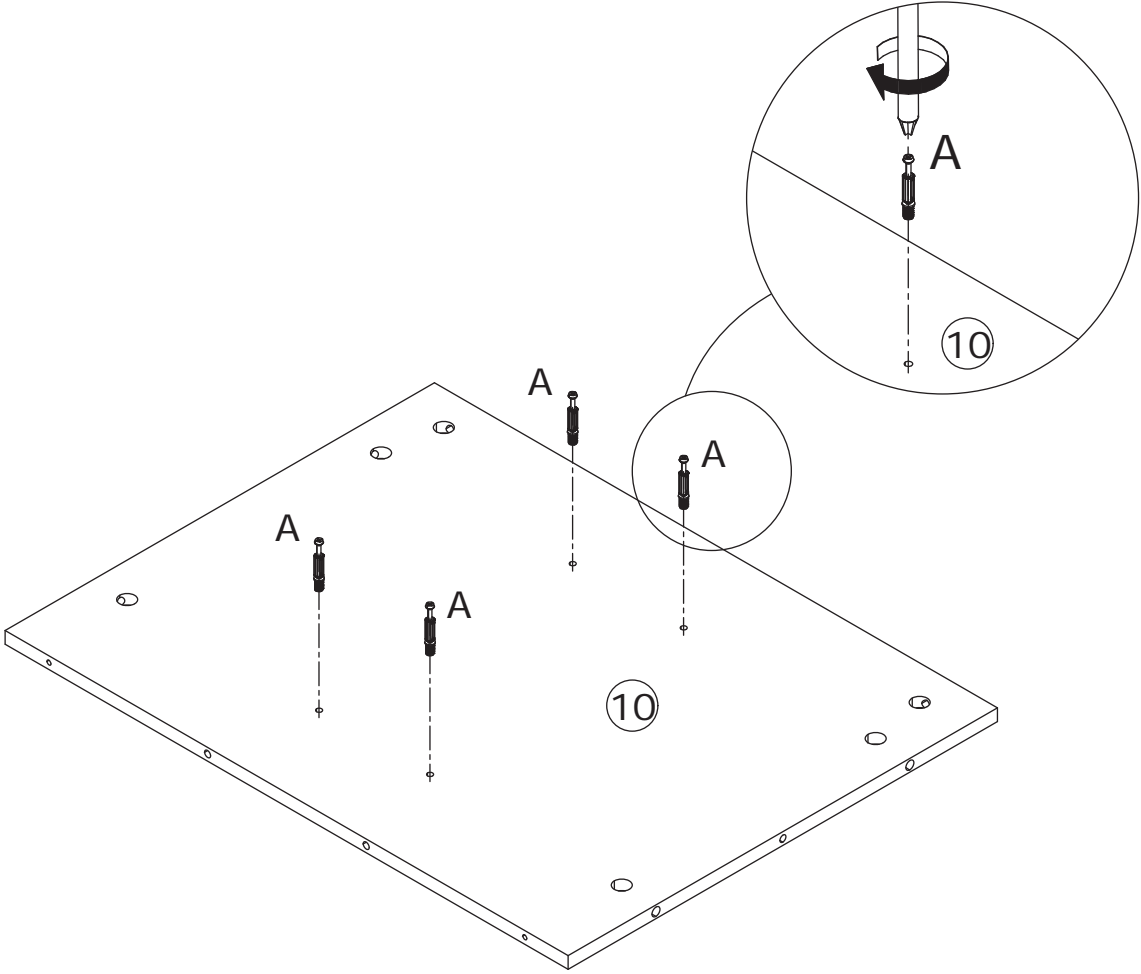
This is a permanent label. Do not remove!

1

A x 8
M5 x 42 mm



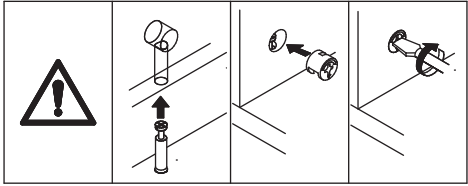
Screw eccentric rod (A) onto part 10.



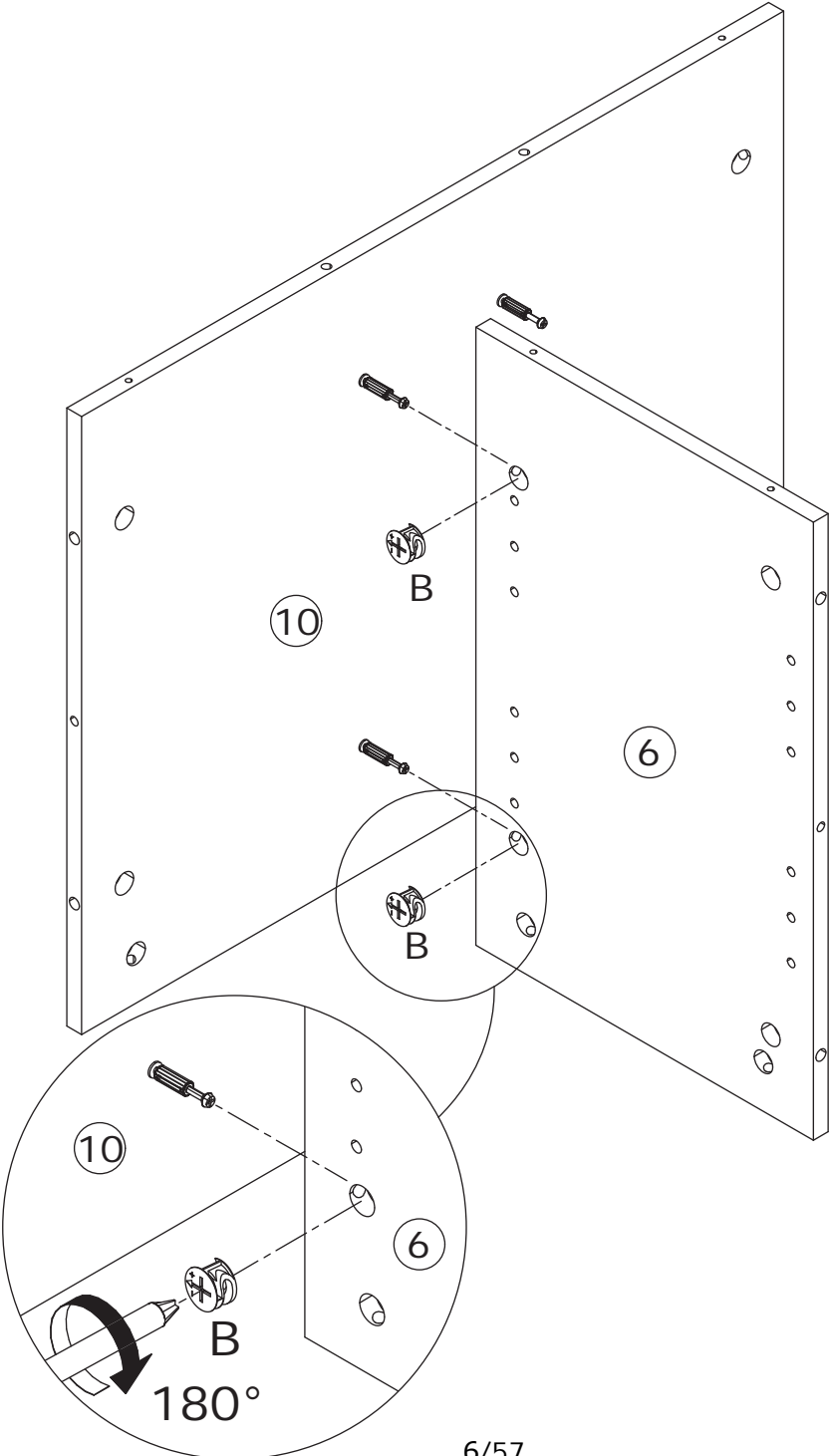
x2

2

B x 4
Ø 15 x 10 mm

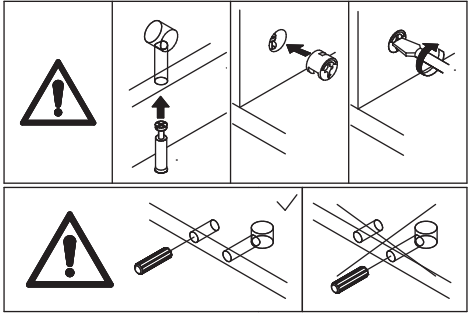
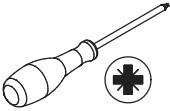
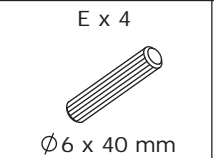
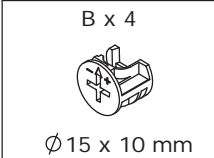


Connect part 6 to part 10, then tighten by turning cam lock (B) clockwise.

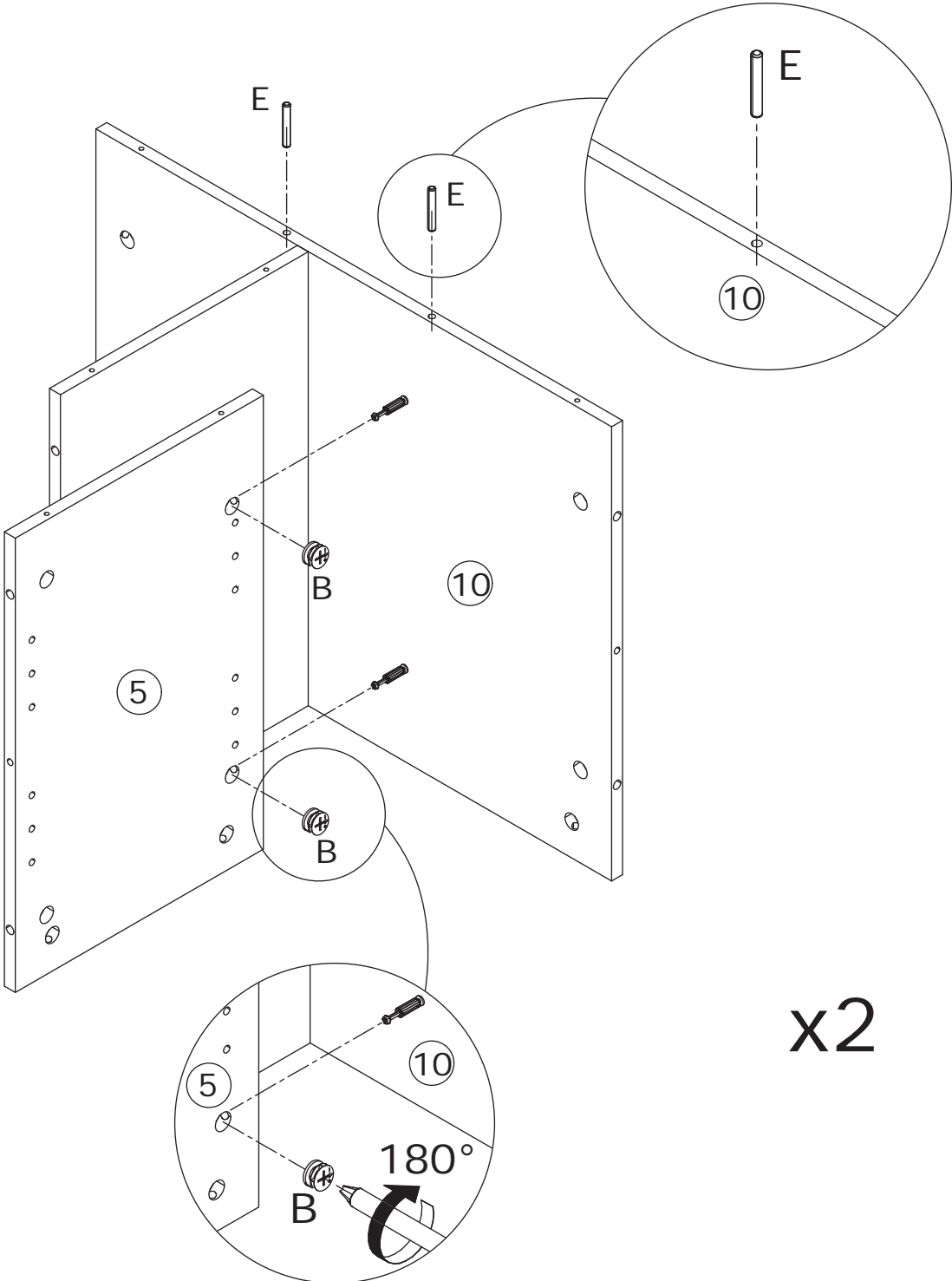


x2

3



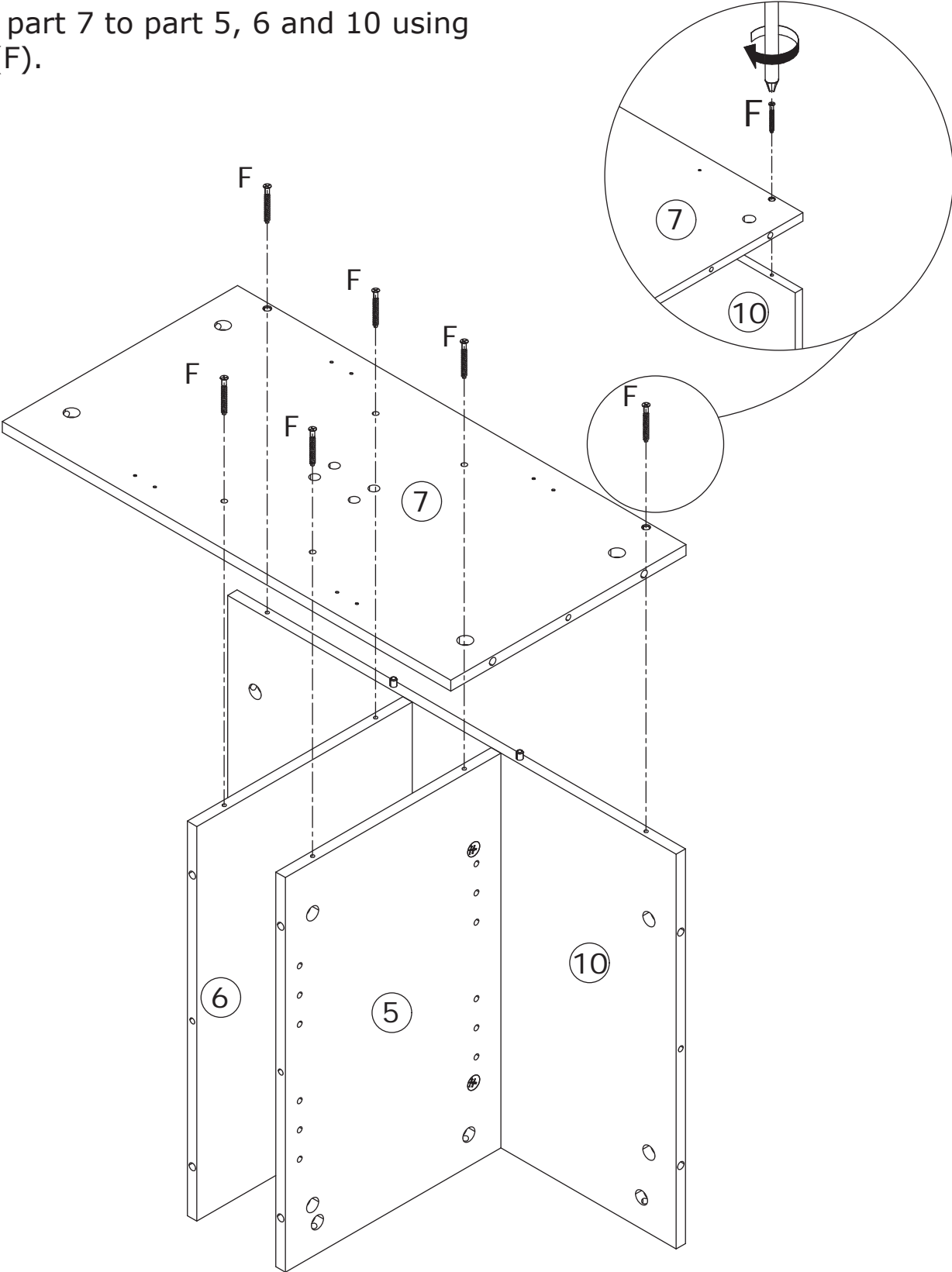
Connect part 5 to part 10, then tighten by turning cam lock (B) clockwise.
Insert wooden dowel (E) into part 10.



4

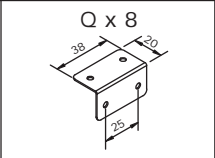
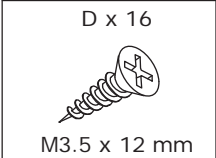


Secure part 7 to part 5, 6 and 10 using screw (F).

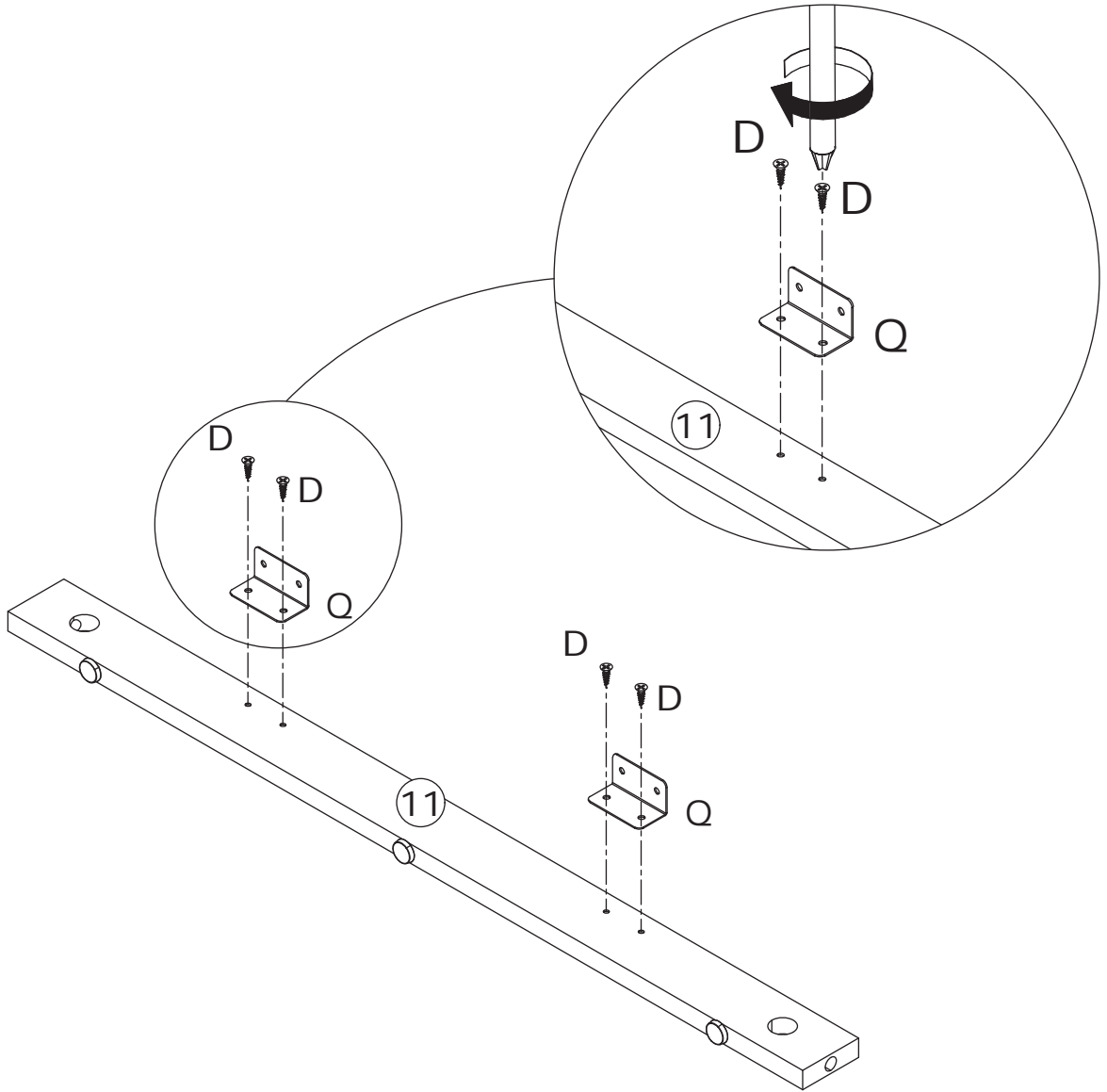


x2

5



Secure bracket (Q) to part 11 using screw (D).



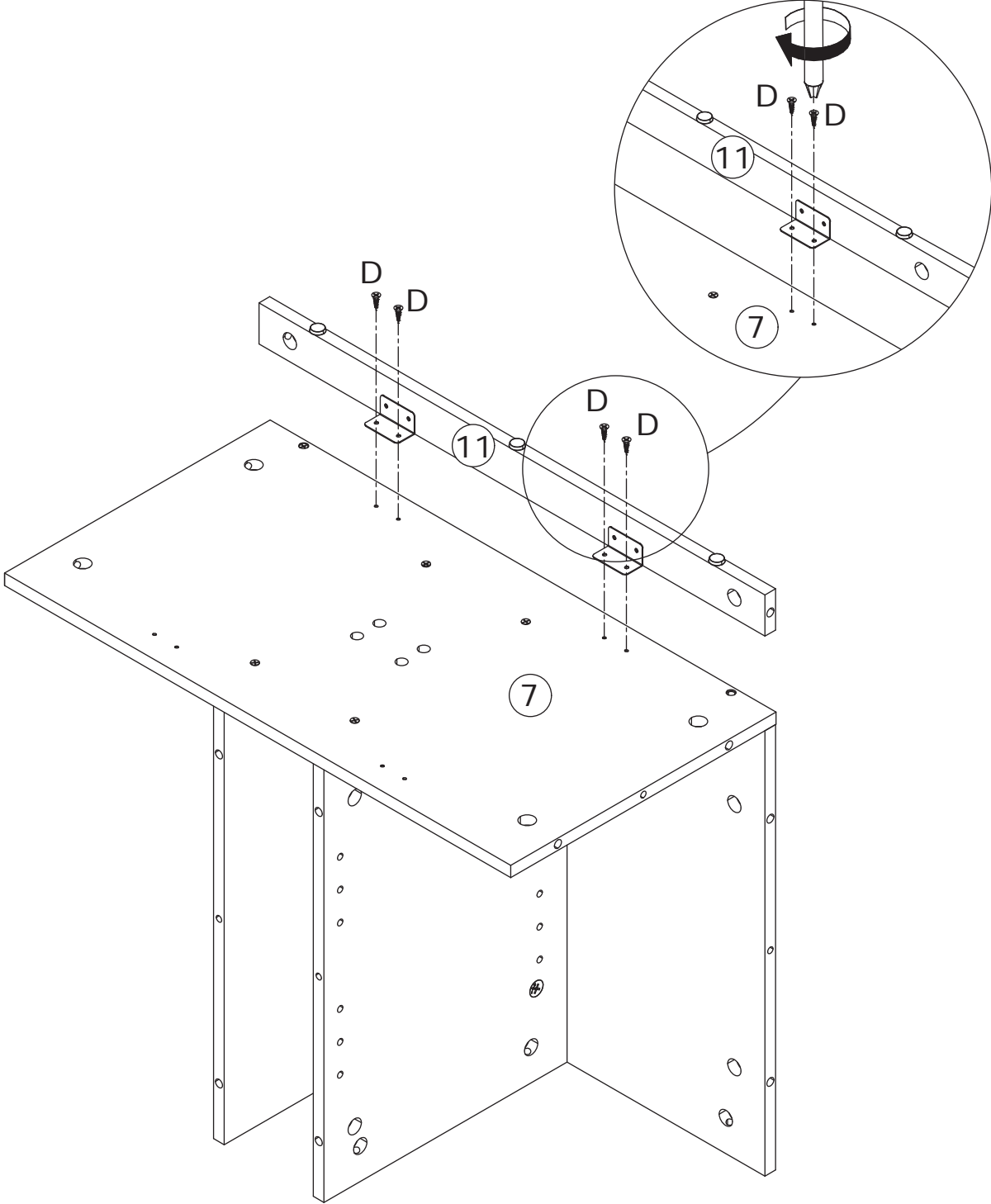
x4

6

D x 8
M3.5 x 12 mm

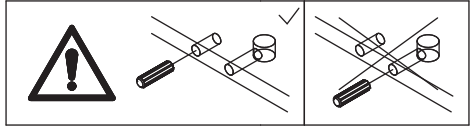
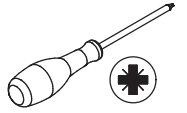
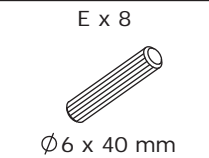
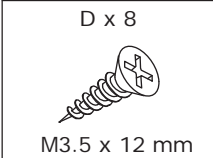


Secure bracket (Q) to part 7 using screw (D).

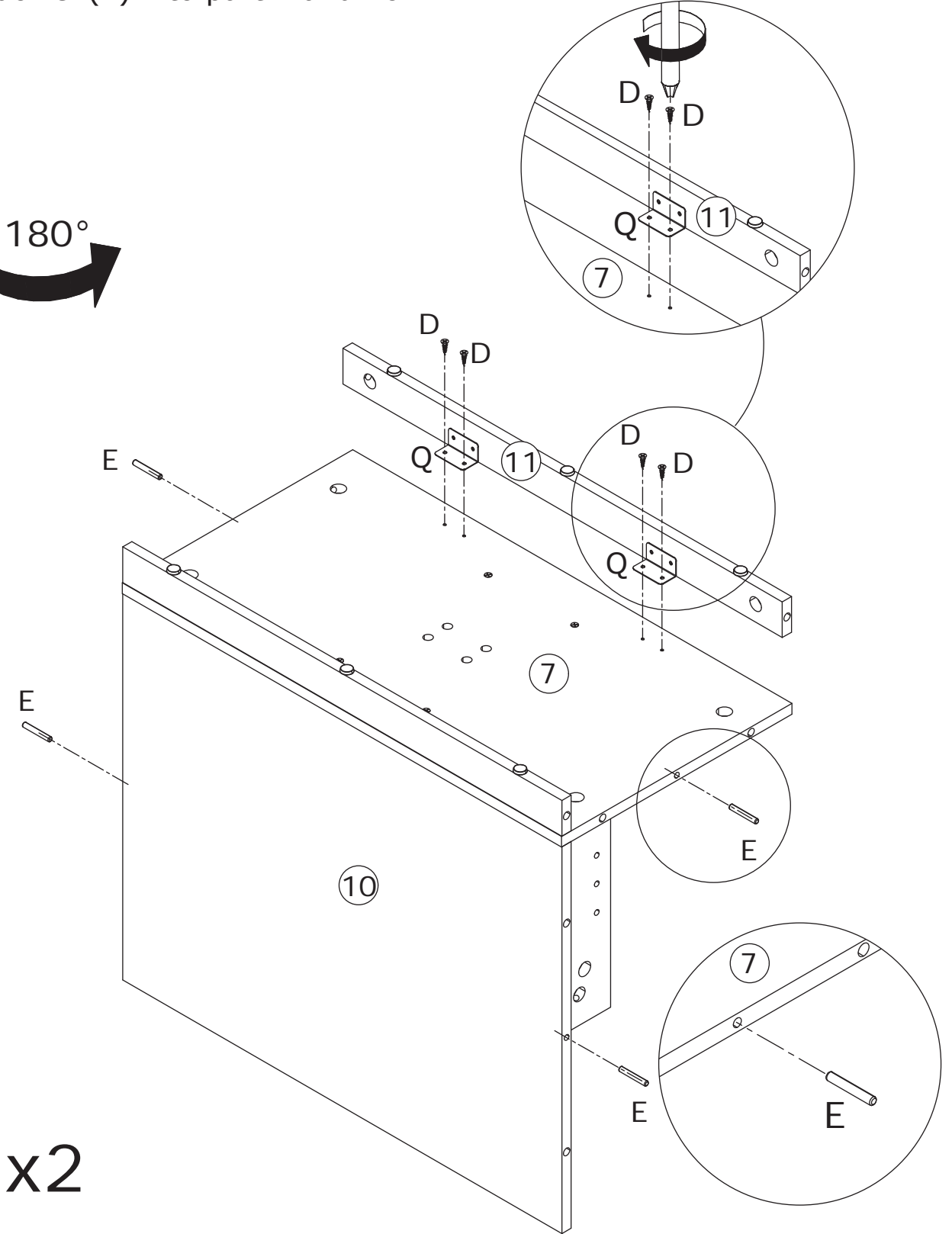


x2

7



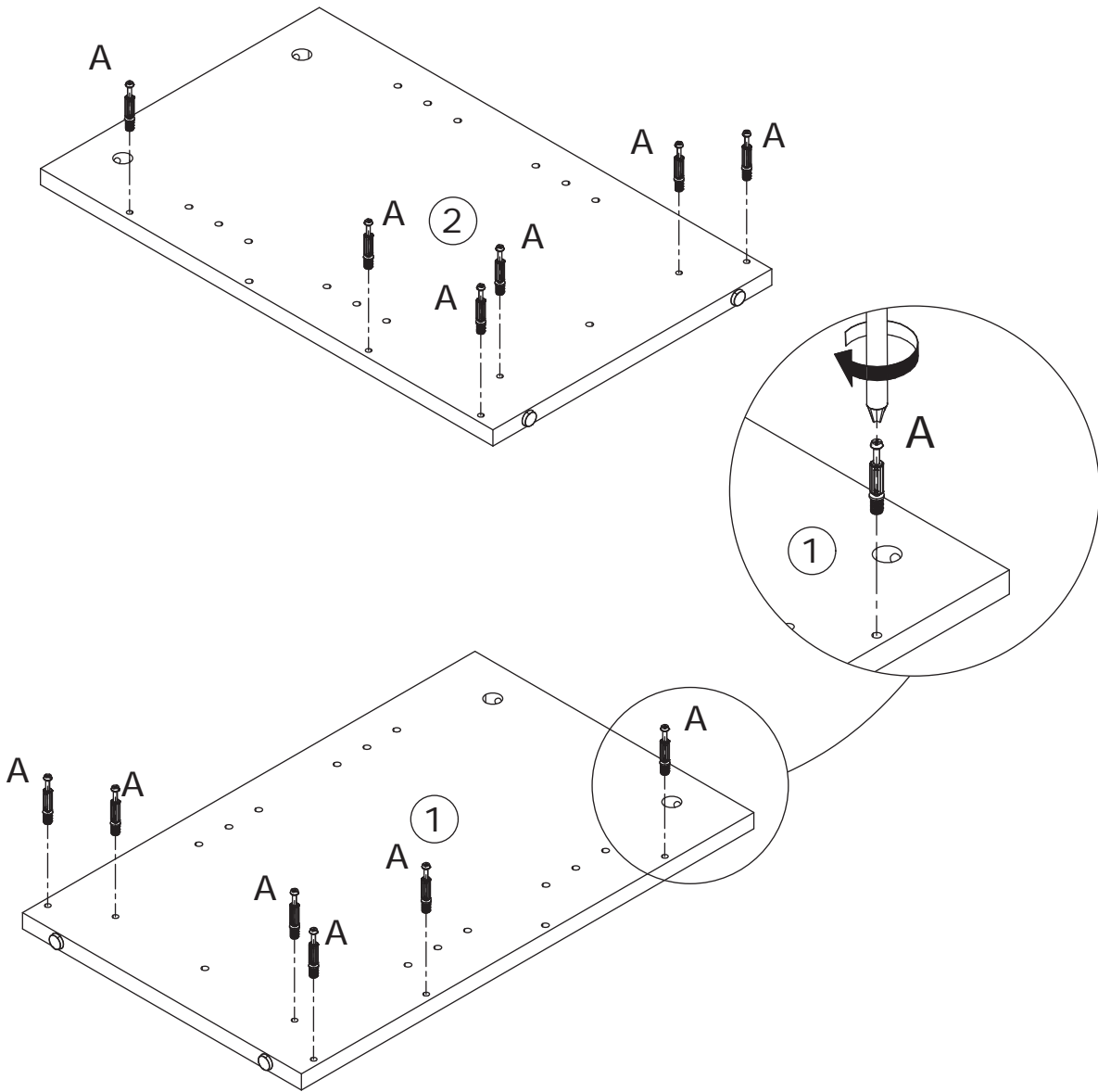
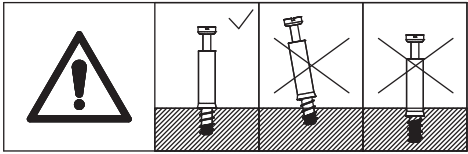
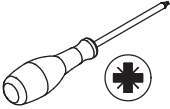
Secure bracket (Q) to panel 7 using screw (D).
Insert dowel (E) into part 7 and 10.



x2

8

A x 24
M5 x 42 mm

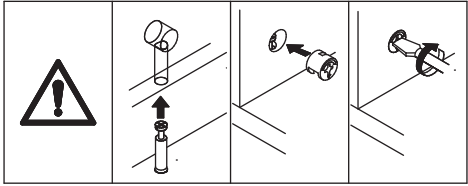


Screw eccentric rod (A) onto part 1 and 2.

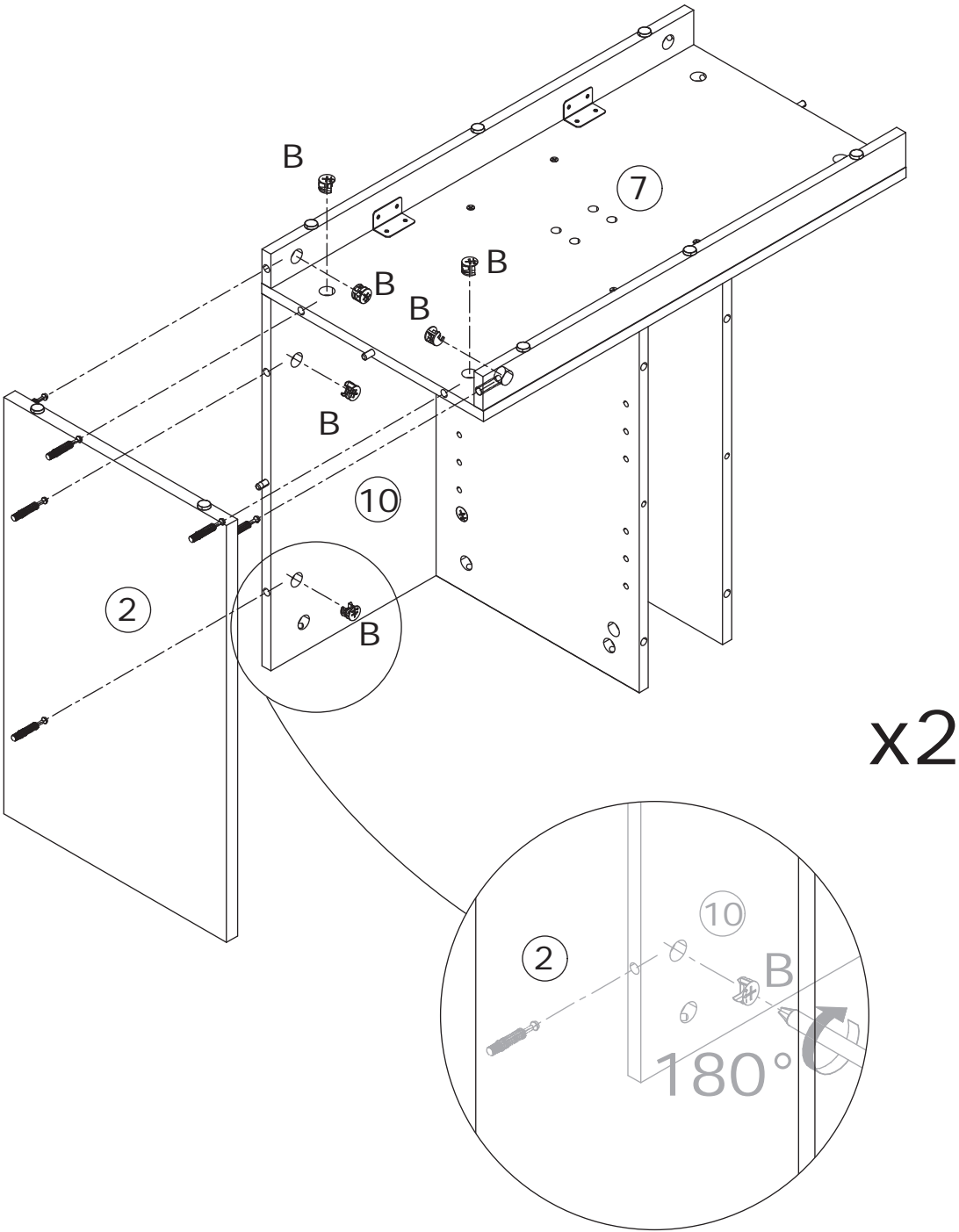
x2

9

B x 12
Ø 15 x 10 mm



Connect part 2 to part 11, 10 and 7, then tighten by turning cam lock (B) clockwise.

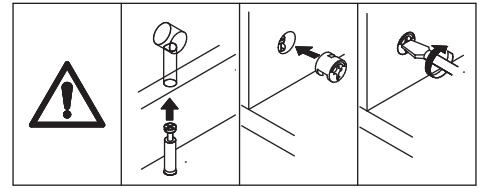
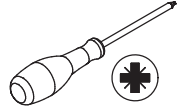


10

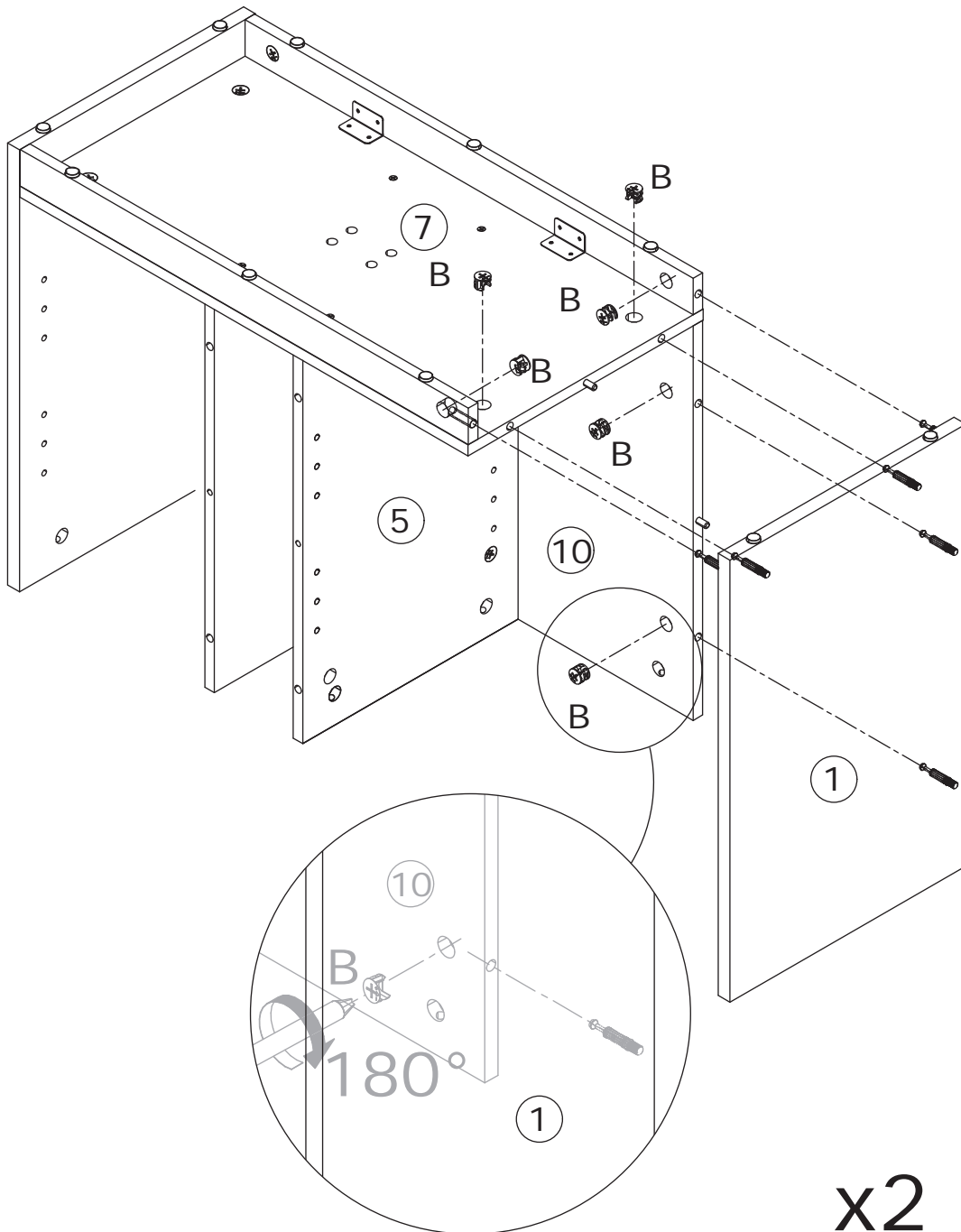
B x 12



Ø 15 x 10 mm

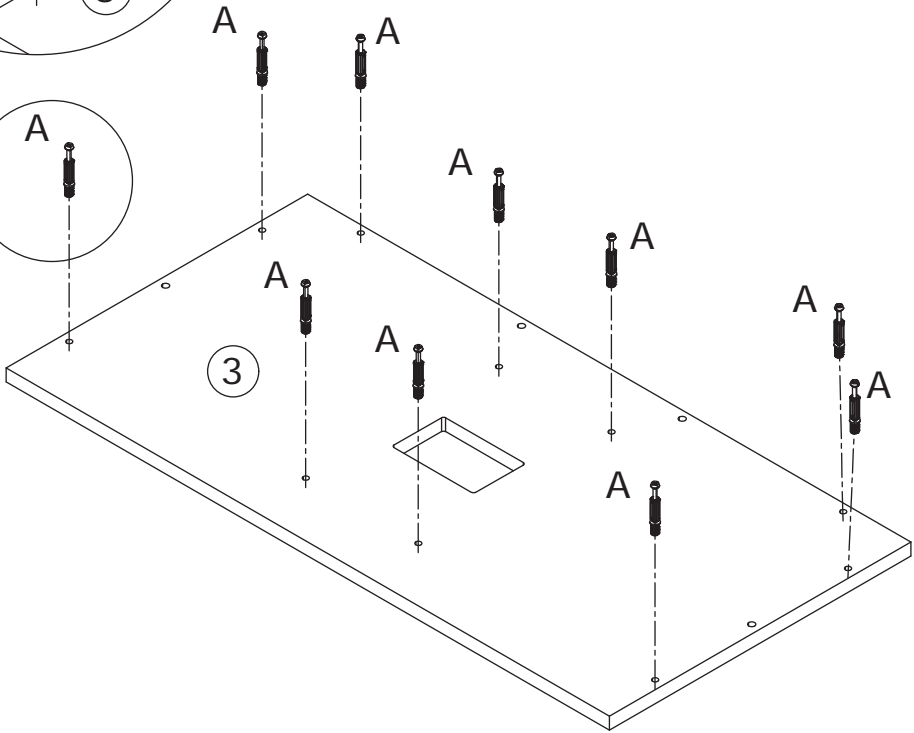
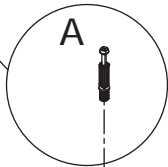
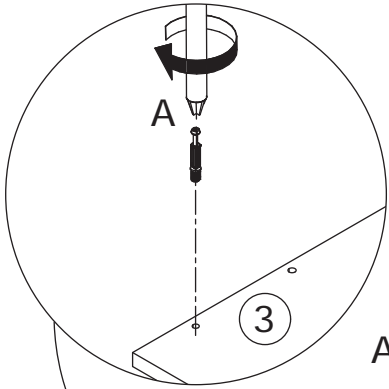
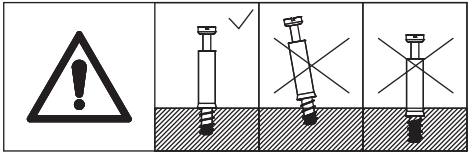


Connect part 1 to part 11, 10 and 7, then tighten by turning cam lock (B) clockwise.



11

A x 20
M5 x 42 mm

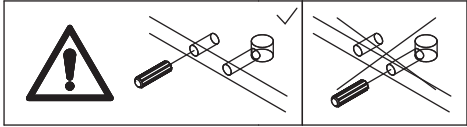
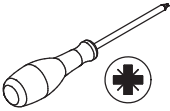


Screw eccentric rod (A) onto part 3.

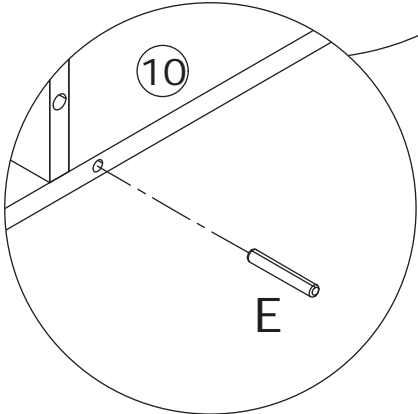
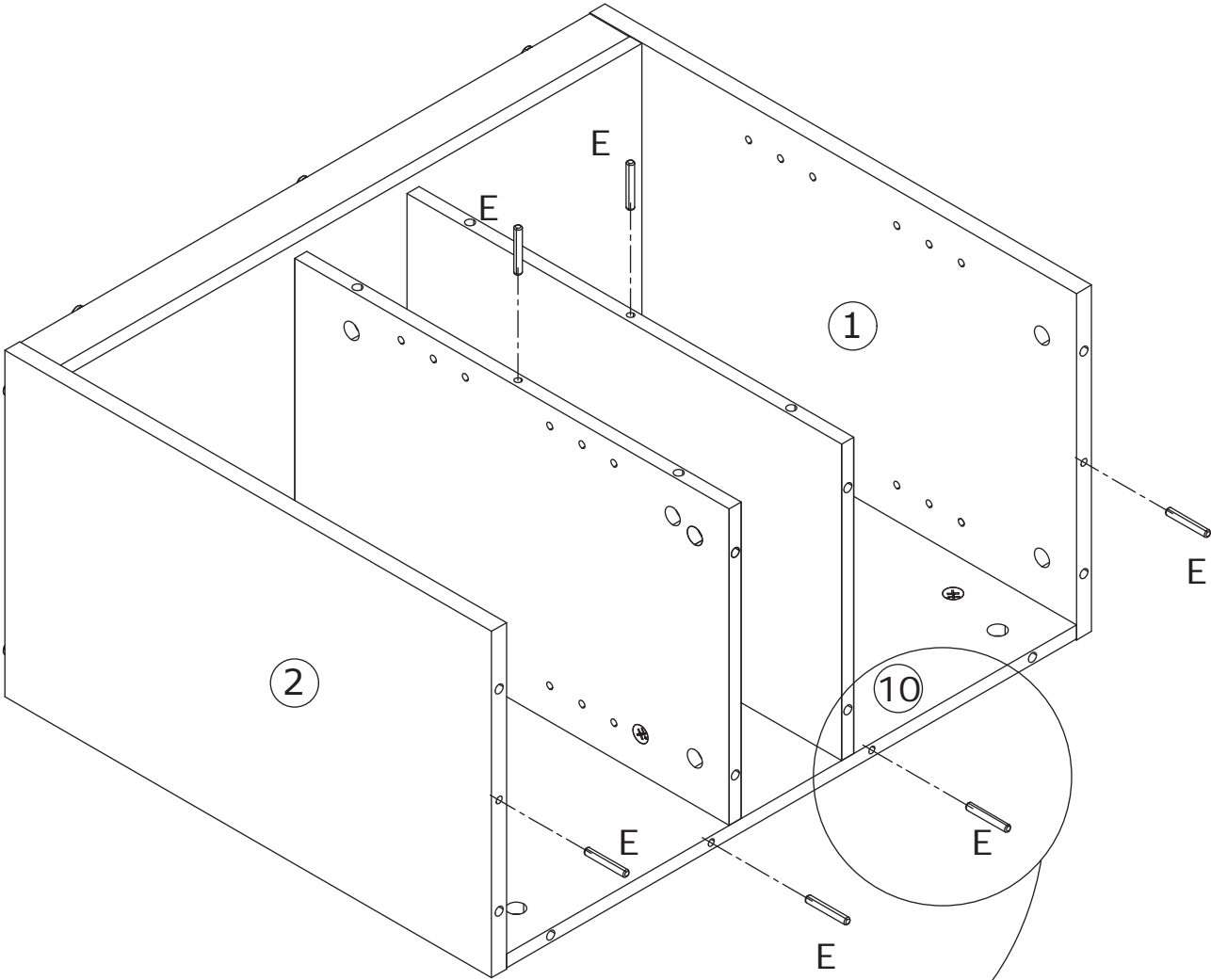
x2

12

E x 12
Ø6 x 40 mm



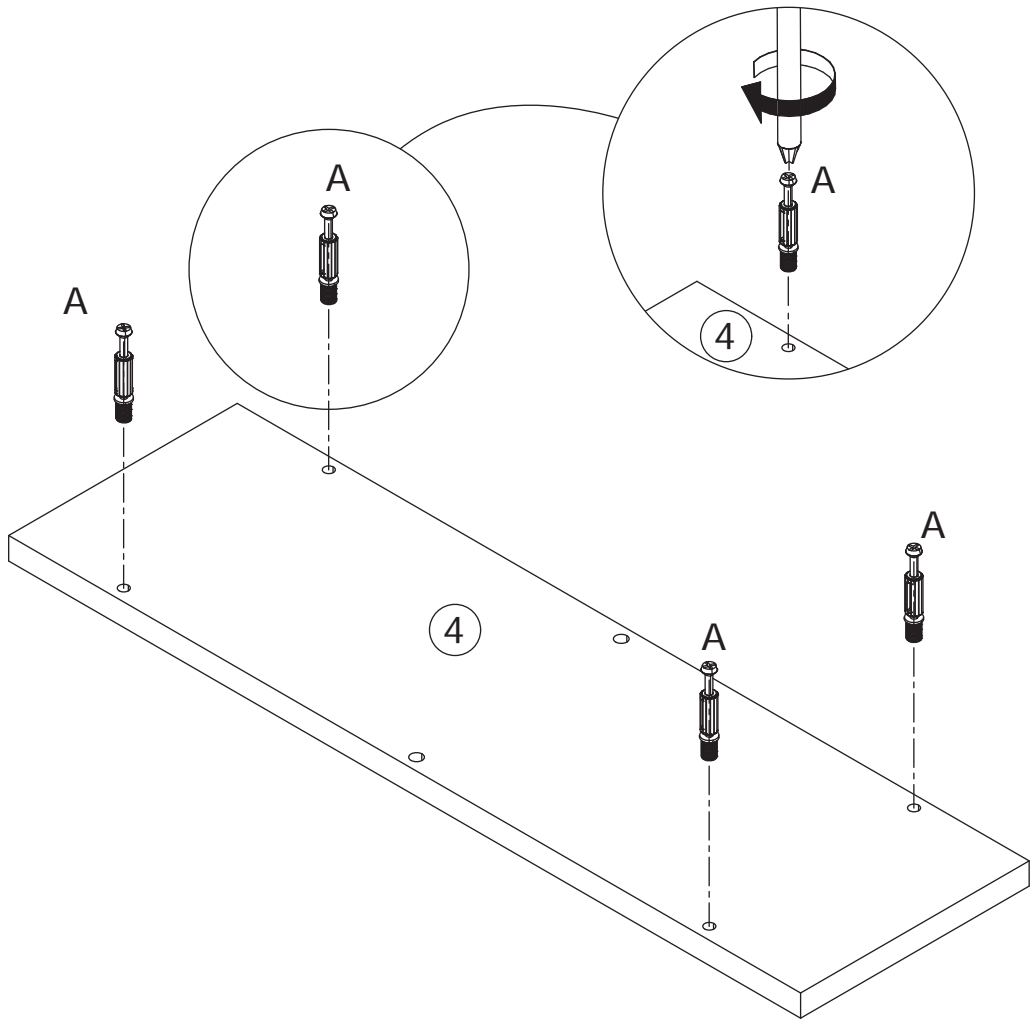
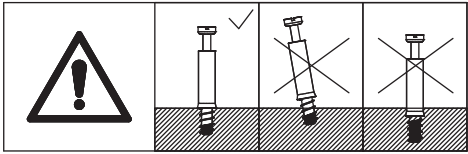
Insert dowel (E) into part 1, 2 and 10.



x2

13

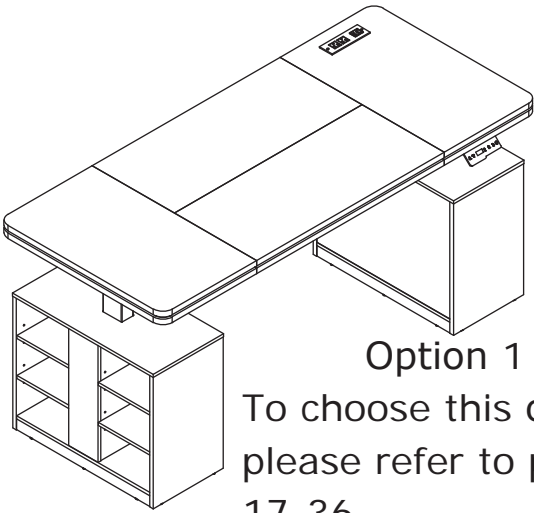
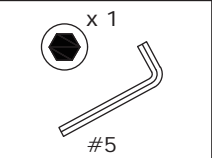
A x 8
M5 x 42 mm



Screw eccentric rod (A) onto part 4.

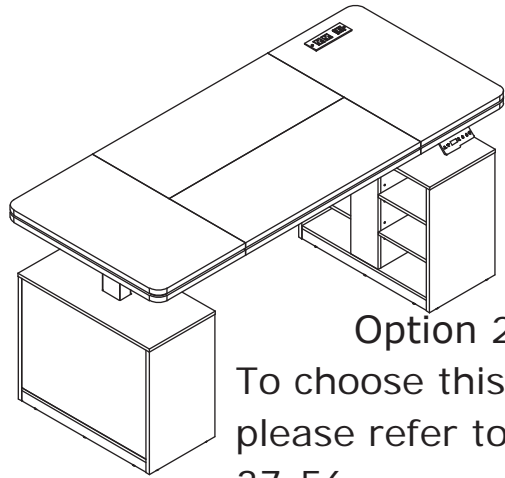
x2

14



Option 1

To choose this option,
please refer to pages
17-36.

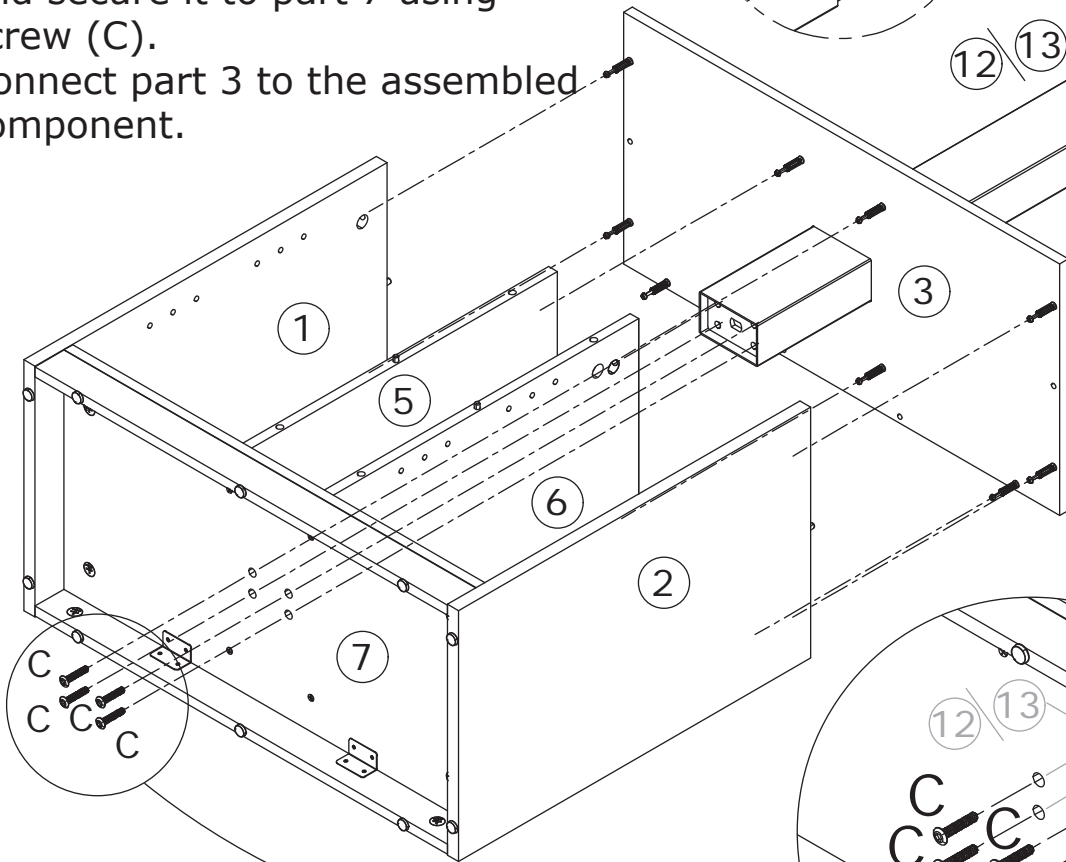
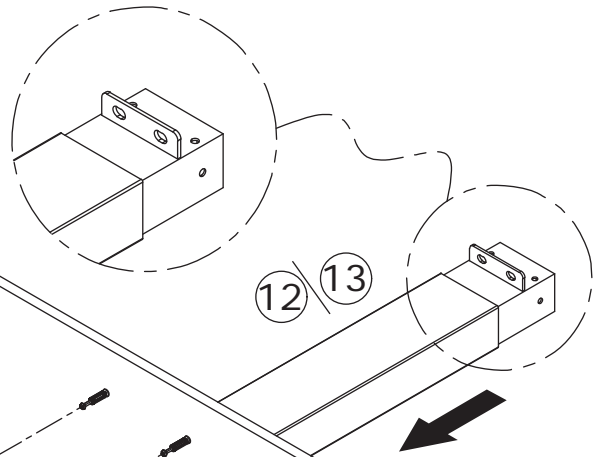


Option 2

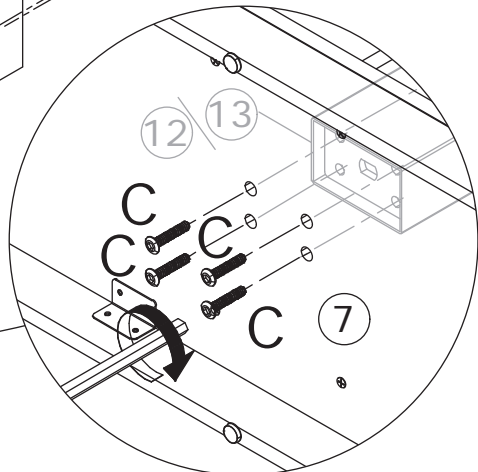
To choose this option,
please refer to pages
37-56.

Insert leg 12 or 13 to part 3,
and secure it to part 7 using
screw (C).

Connect part 3 to the assembled
component.

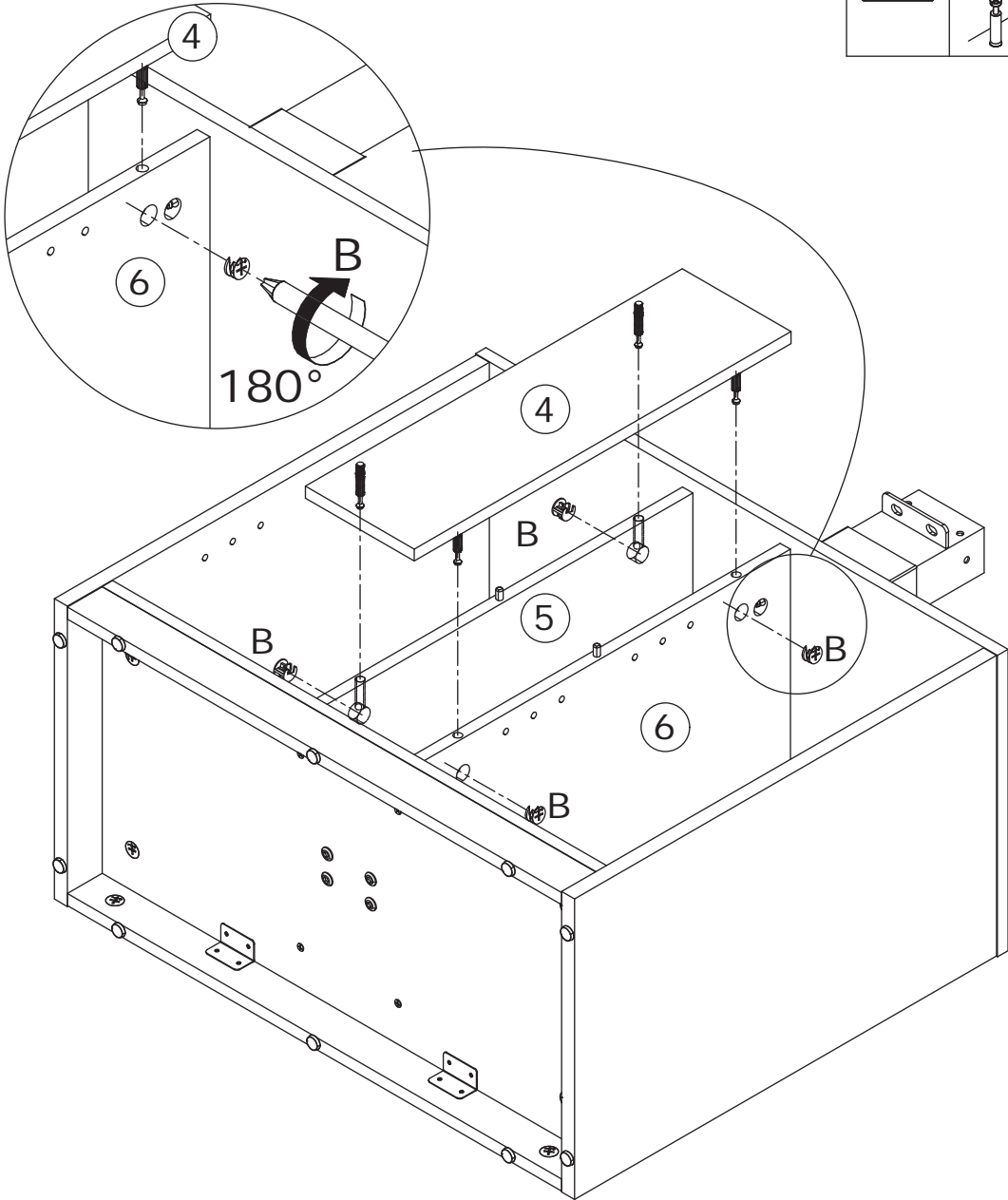
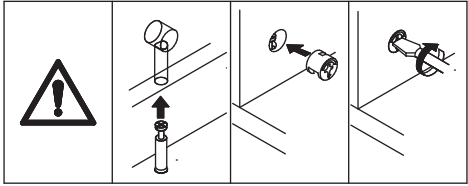
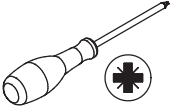


x2



15

B x 8
Ø 15 x 10 mm

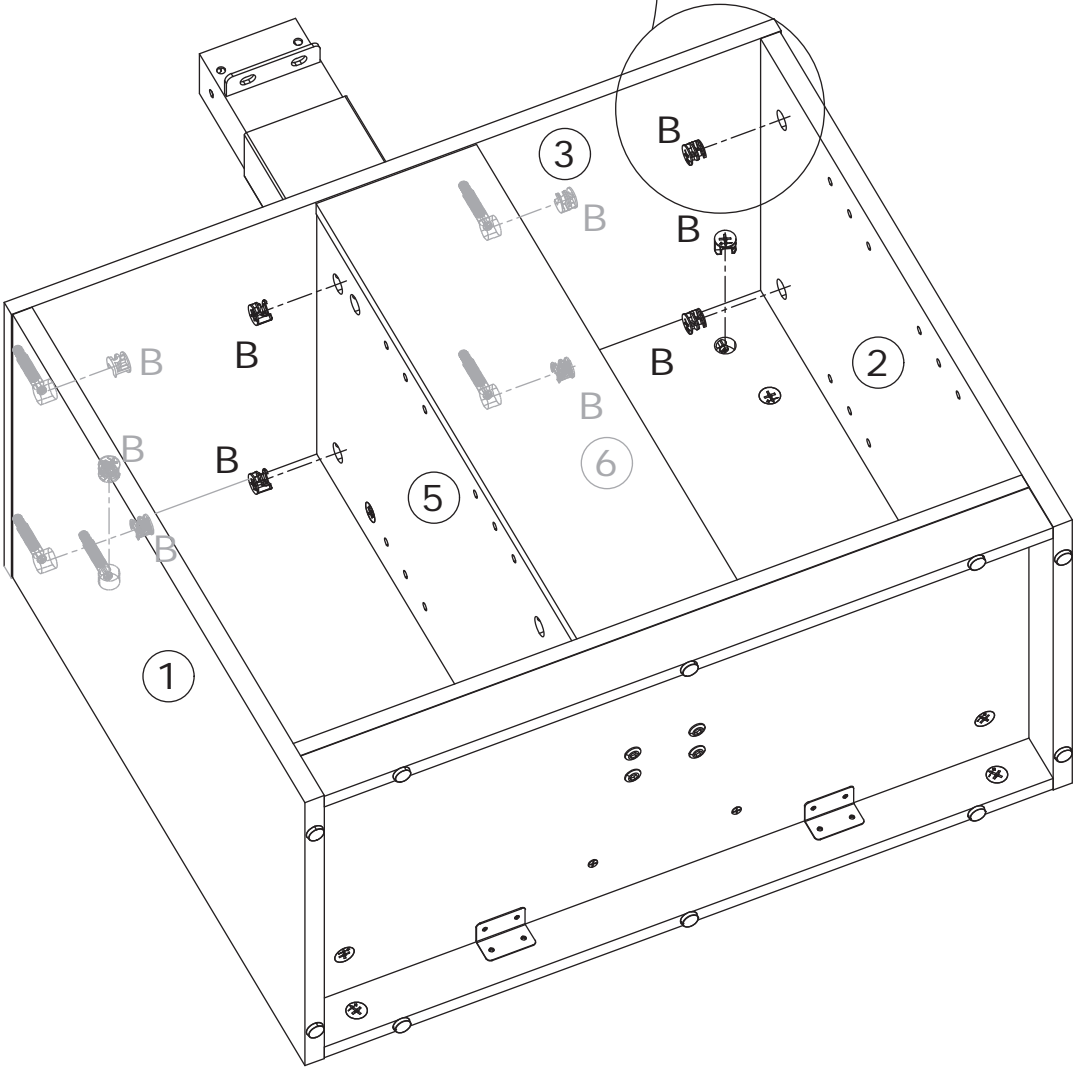
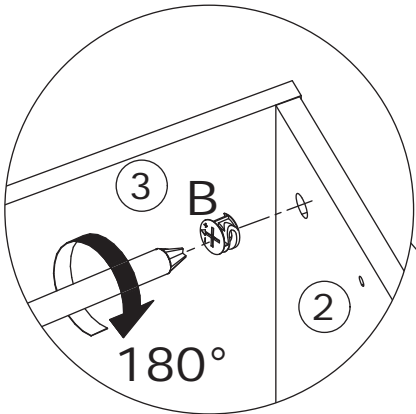
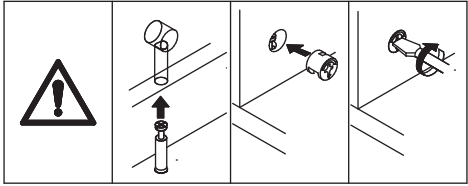
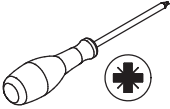


Connect part 4 to part 5 and 6, then tighten by turning cam lock (B) clockwise.

x2

16

B x 20
Ø 15 x 10 mm



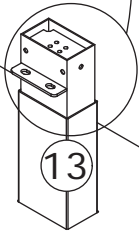
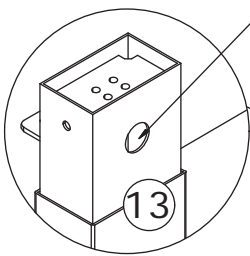
x2

Di h the WJa `cW (B)]bto dUfh 1, 2, 5 and 6, then tighten h\Ya clockwise.

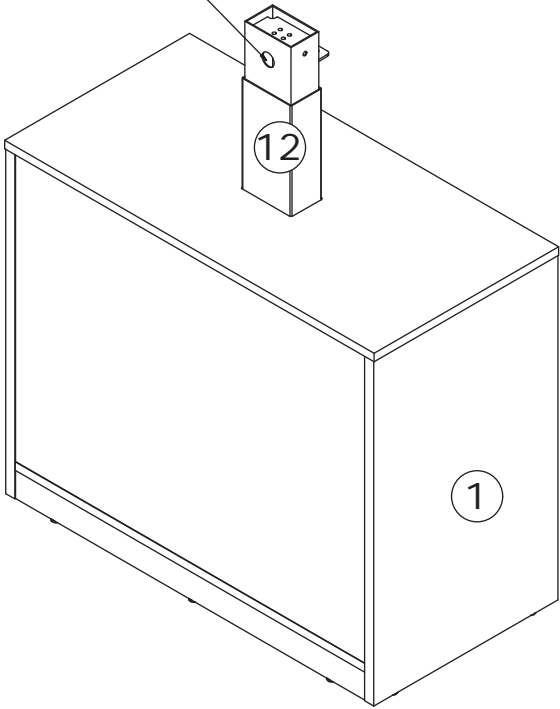
17



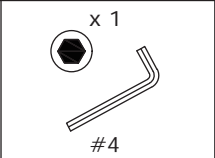
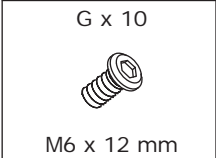
Black



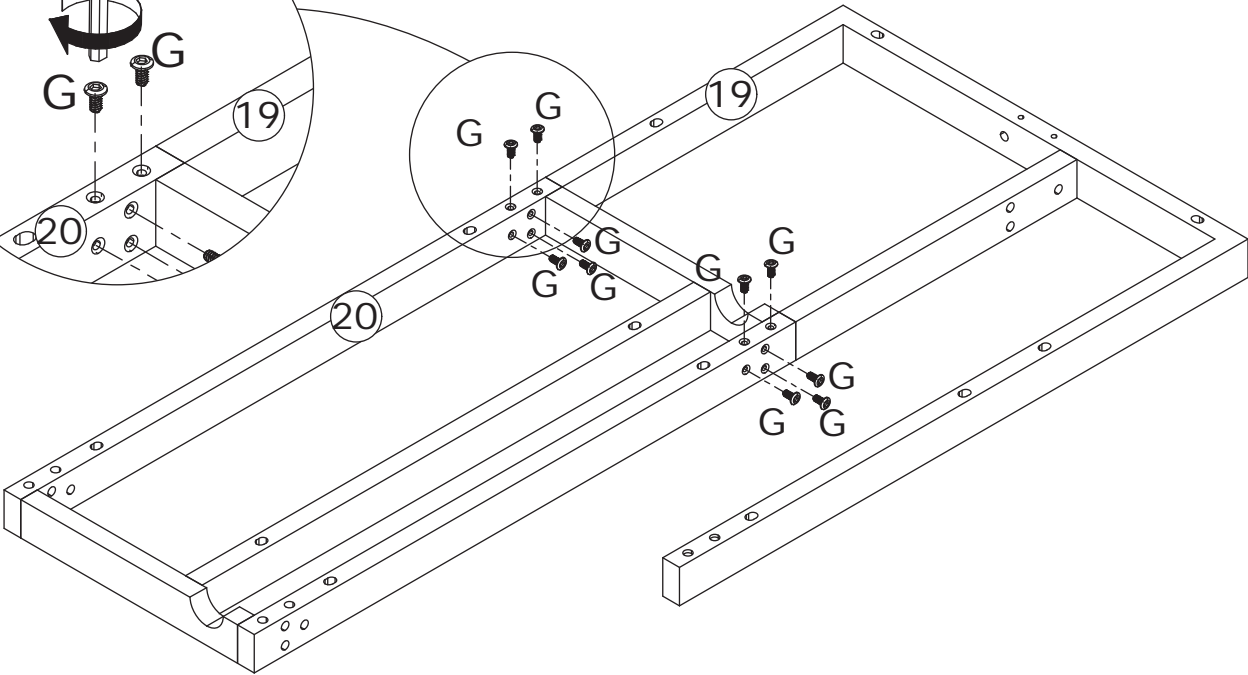
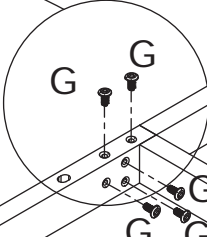
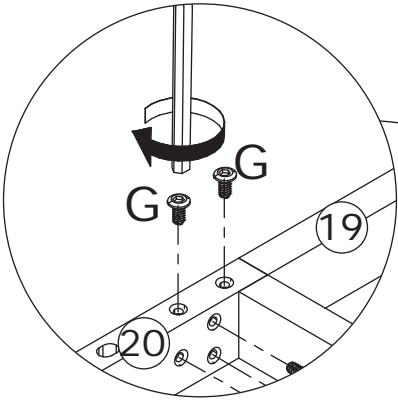
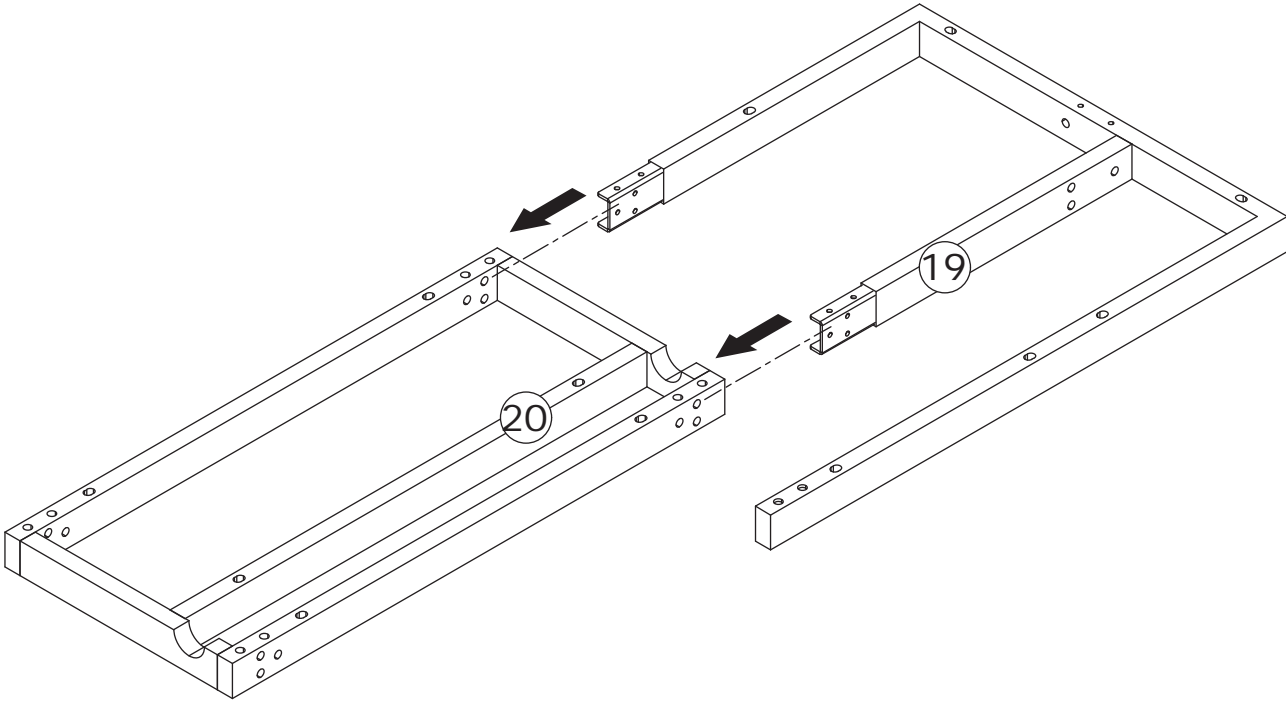
Red



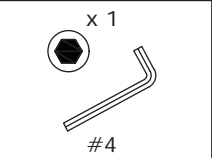
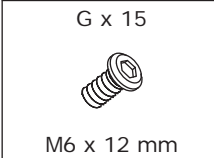
18



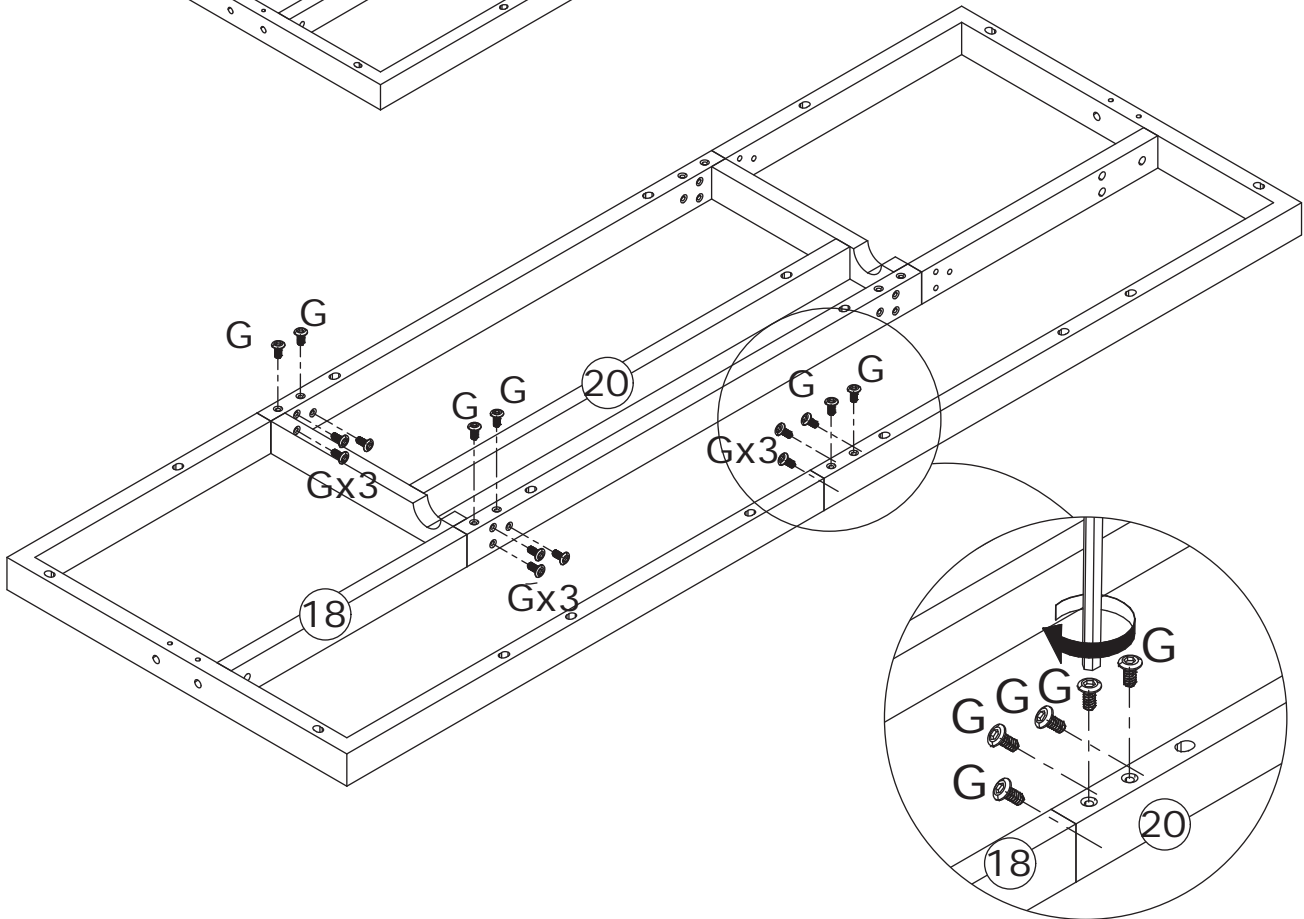
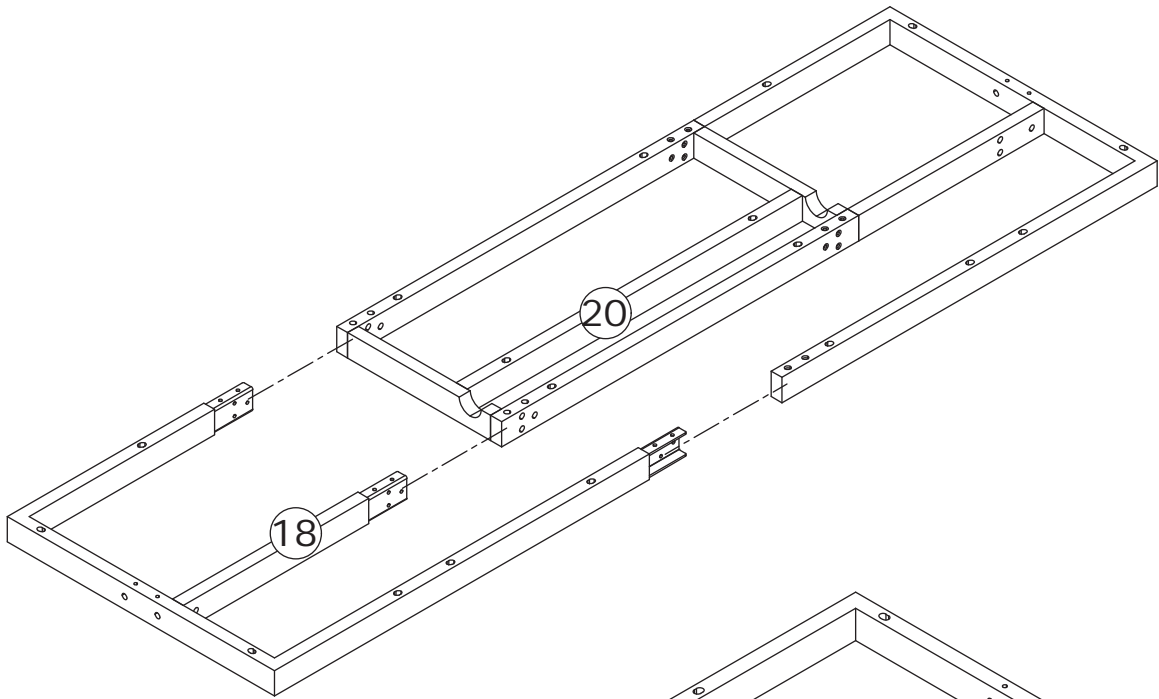
Insert part 19 into part 20 and secure using screw (G).



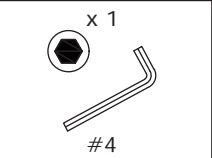
19



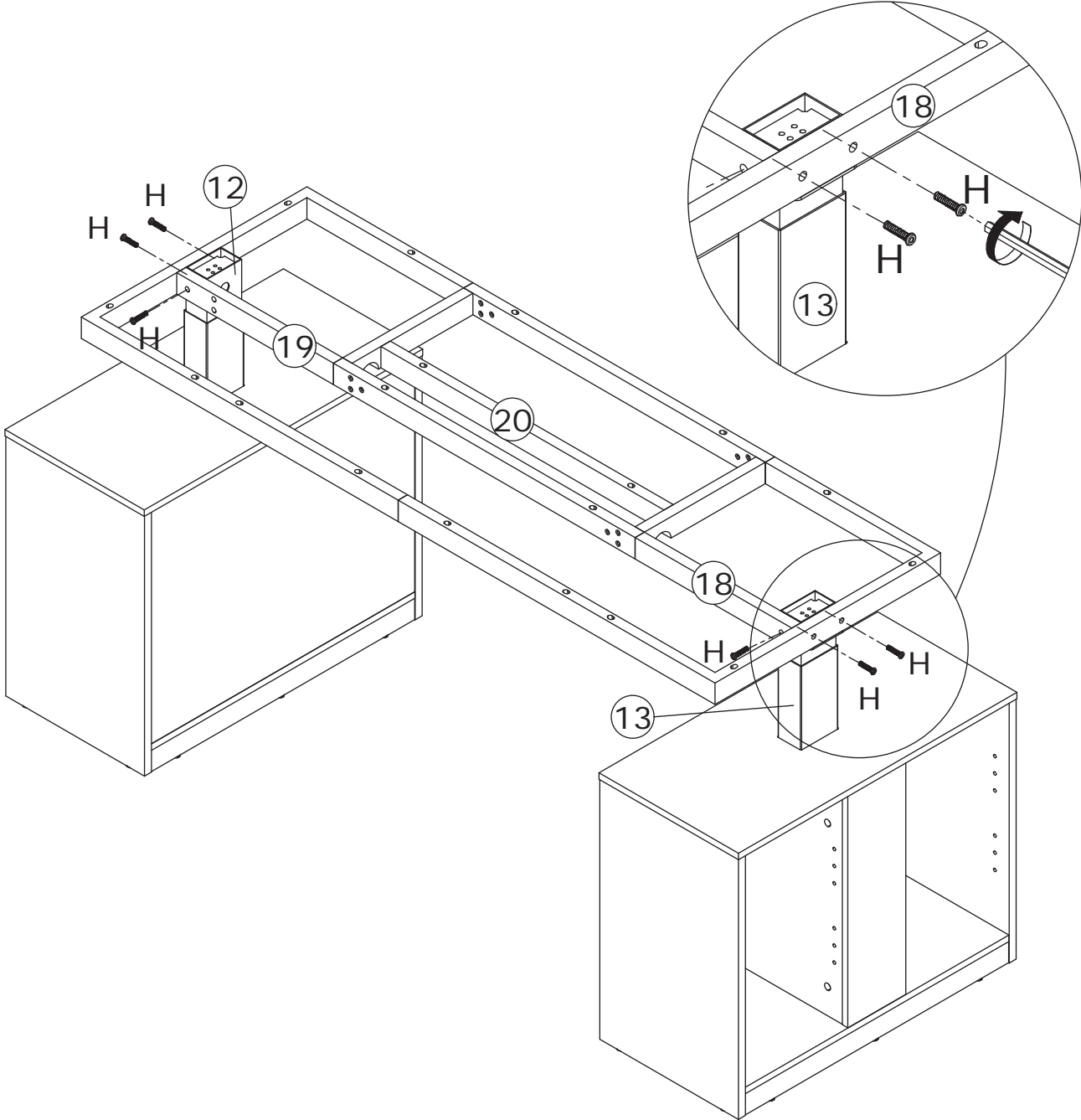
Insert part 18 into part 20 and secure using screw (G).







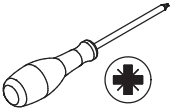
20



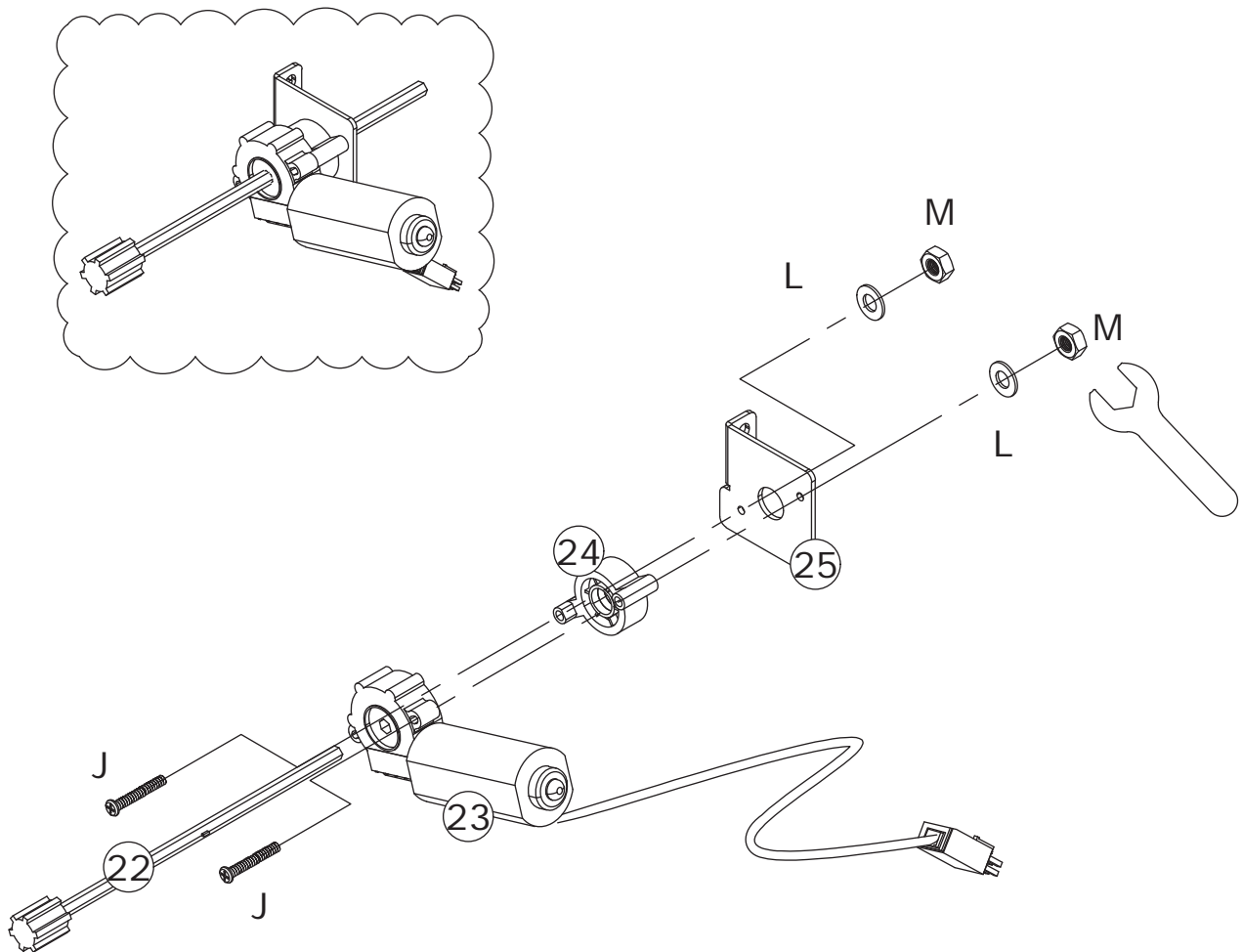
Secure part 12 and 13 to part 19 and 18, respectively, using screw (H).





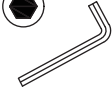

21

J x 2  M4 x 45 mm	L x 2  M4 x 1 x Ø12 mm	M x 2  M4	x 1  M4	
----------------------------------------------------------------------------------------------------------	---------------------------------------------------------------------------------------------------------------	--------------------------------------------------------------------------------------------------	-------------------------------------------------------------------------------------------------	-------------------------------------------------------------------------------------

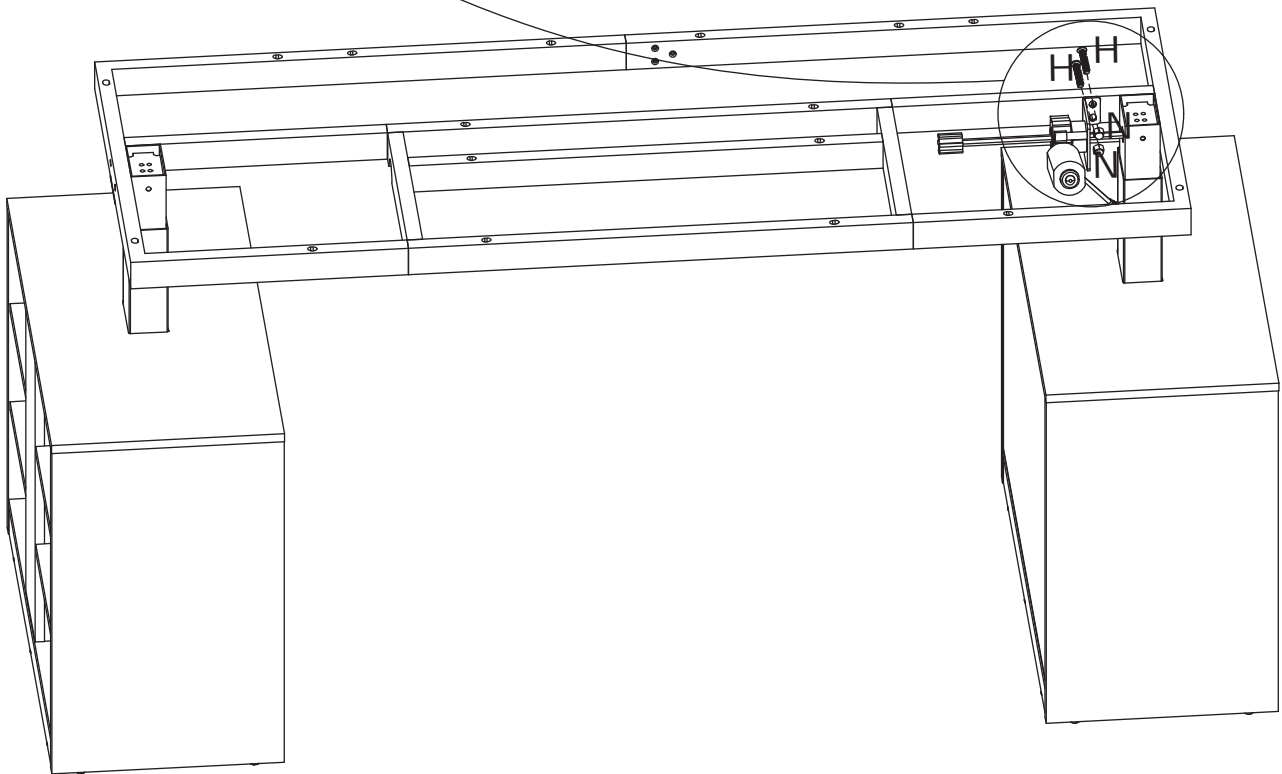
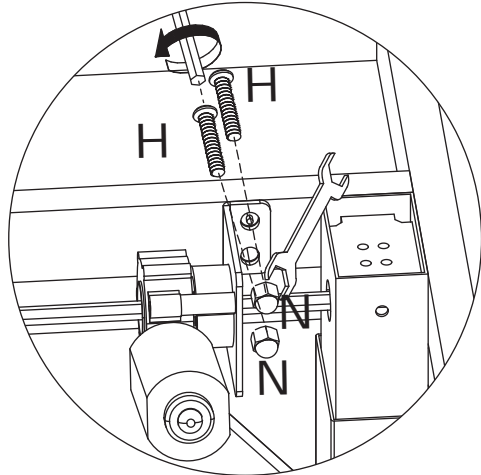
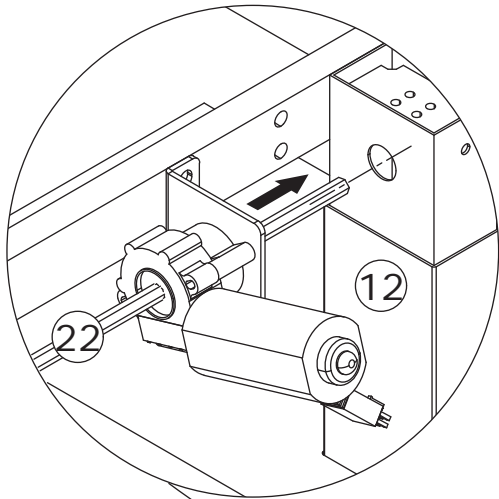
Insert part 22 into part 23, 24 and 25, and secure using screw (J), washer (L) and nut (M).



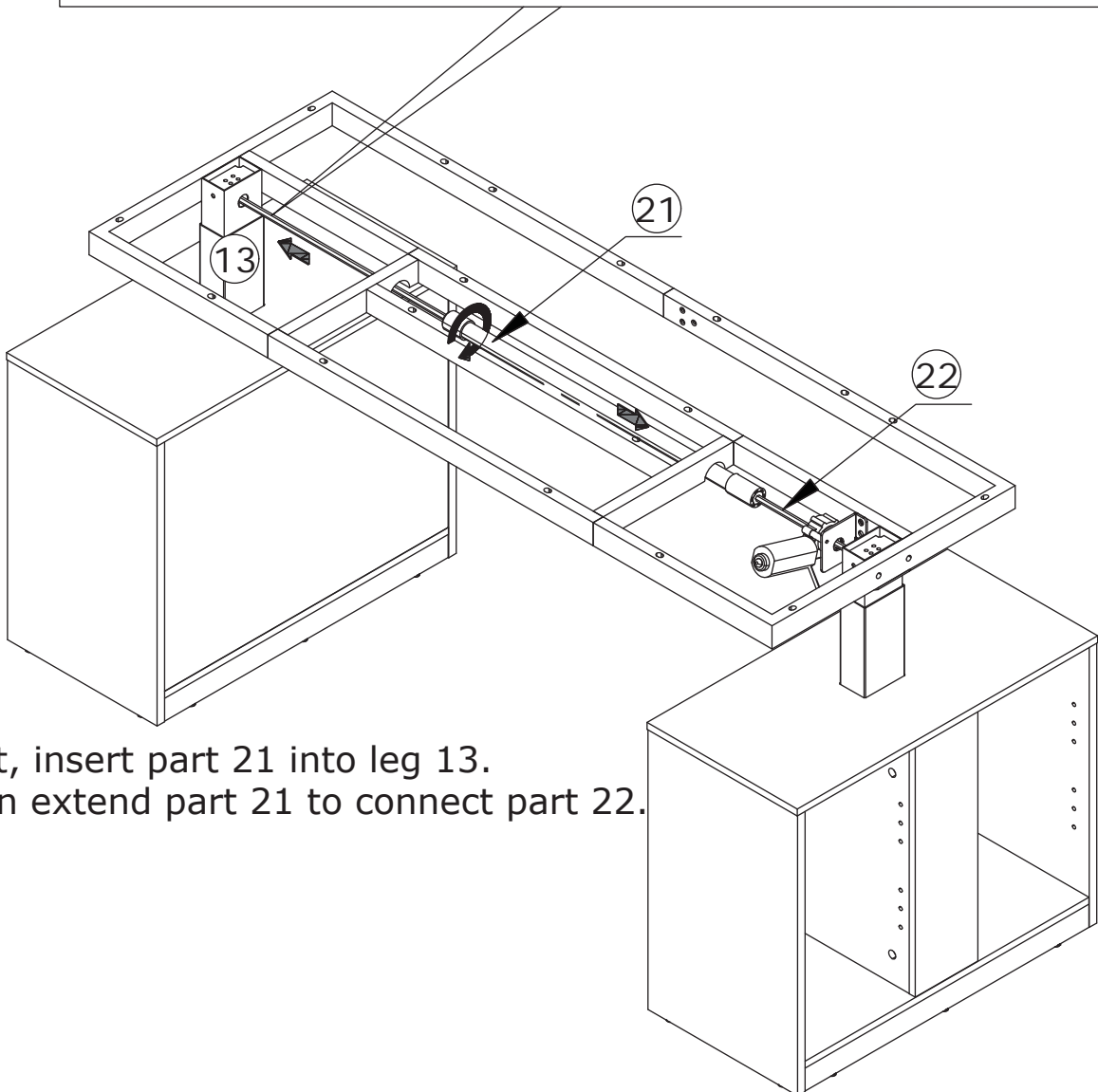
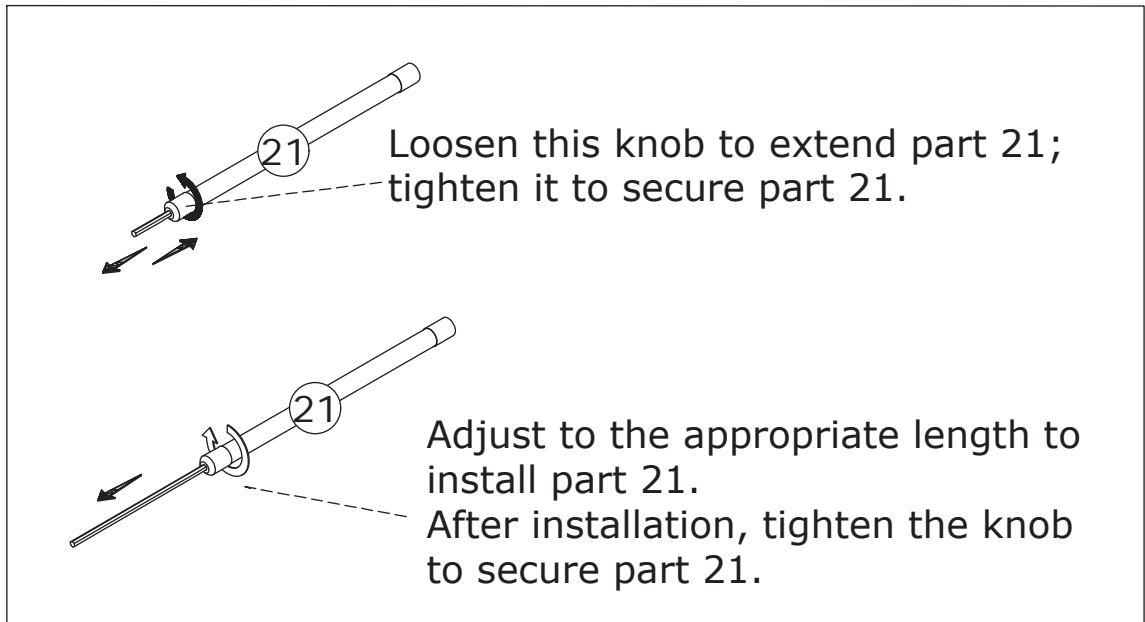
22

<p>H x 2 M6 x 30 mm</p> 	<p>N x 2 M6 x 12 mm</p> 	<p>x 1 #4</p> 	<p>x 1 10mm 12mm</p> 	
---------------------------------------------------------------------------------------------------------------	---------------------------------------------------------------------------------------------------------------	-----------------------------------------------------------------------------------------------------	-----------------------------------------------------------------------------------------------------------------	--

Insert part 22 into leg 12.
Secure part 25 to part 19 using screw (H) and nut (N).

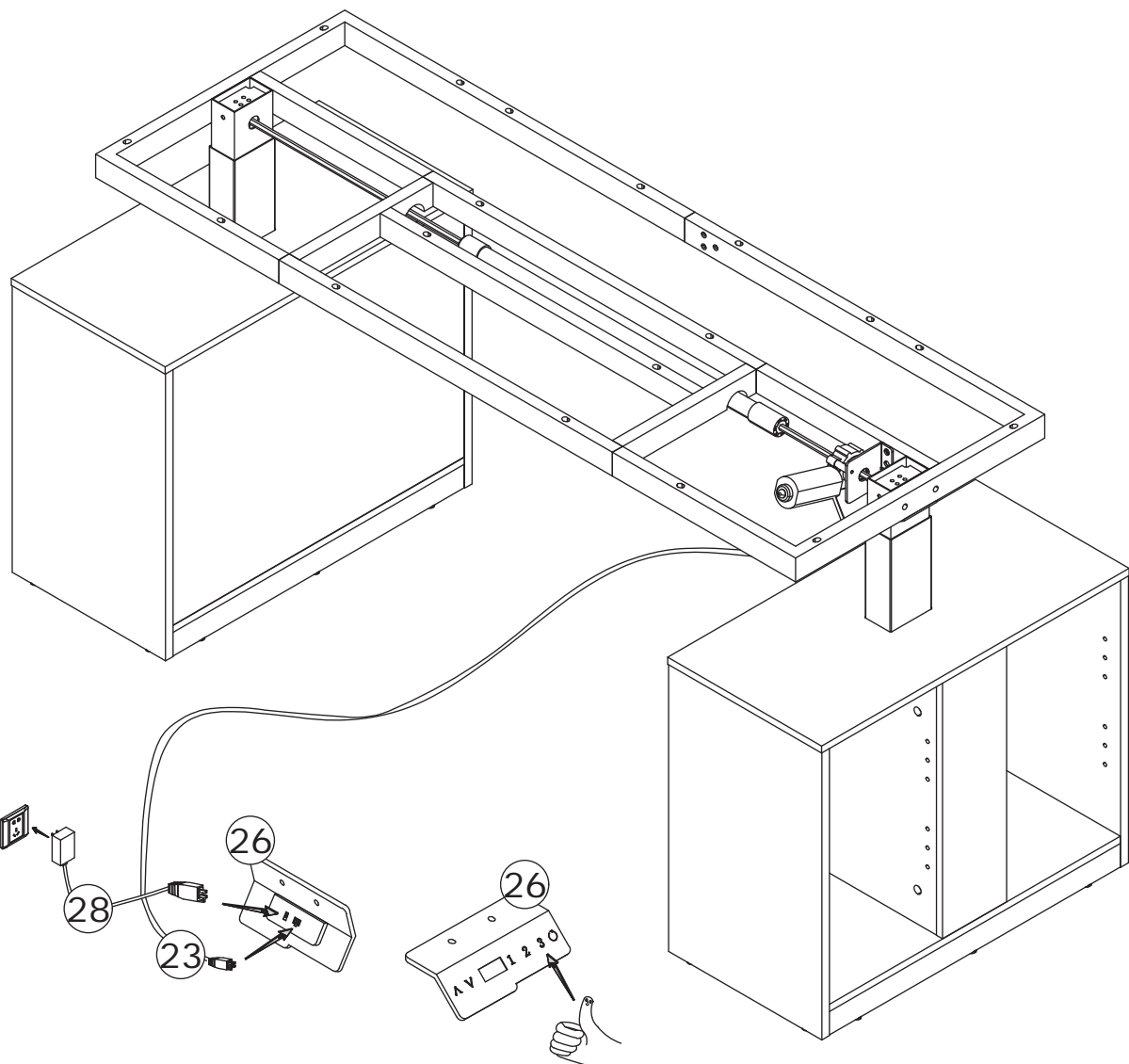


23



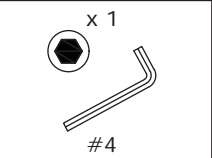
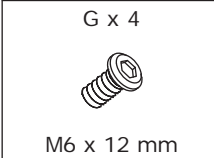
First, insert part 21 into leg 13.
Then extend part 21 to connect part 22.

24

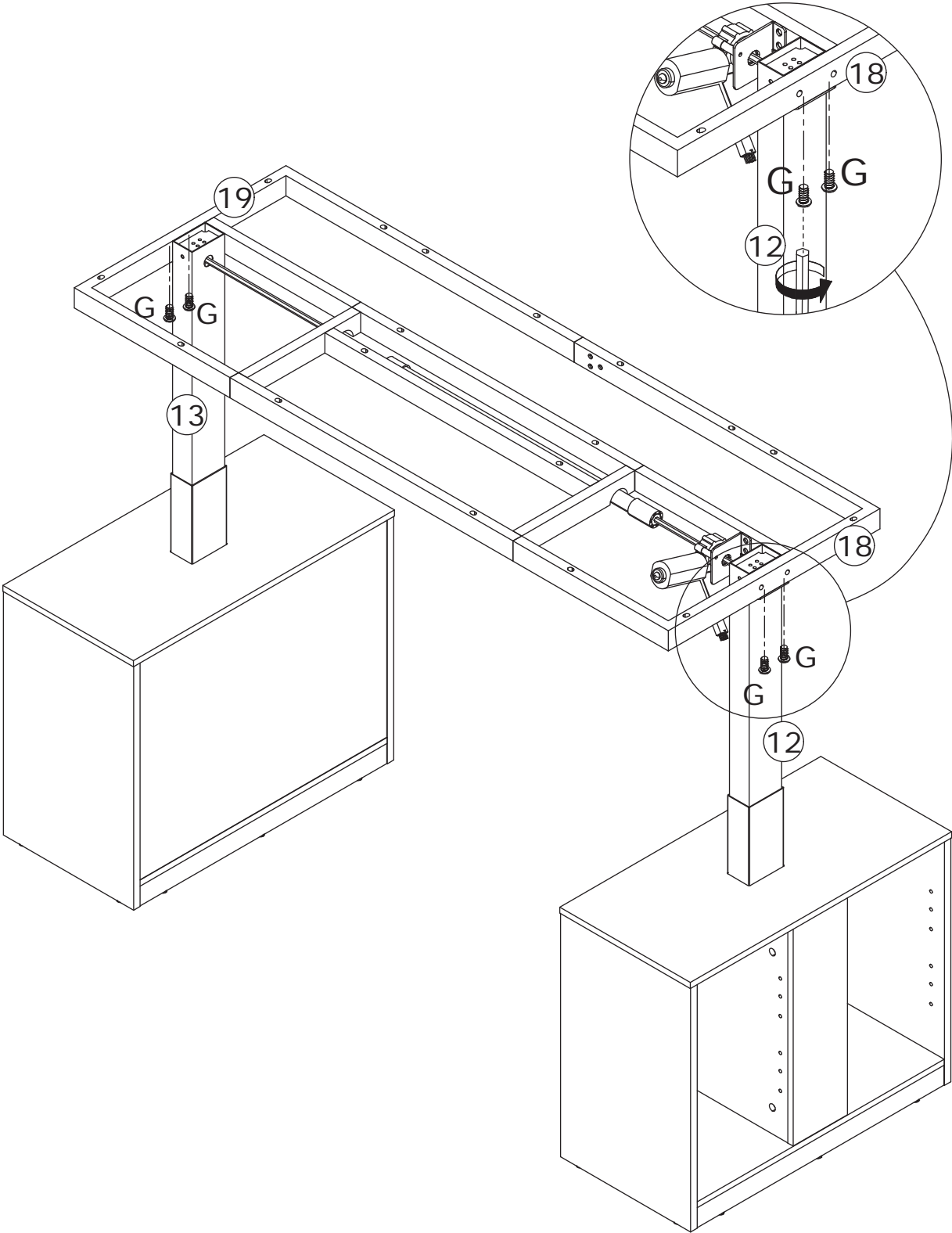


First connect wire 23 and power supply 28 to control panel 26.
Press button 3 to adjust the desk to the highest point.

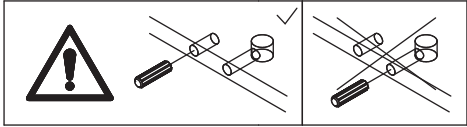
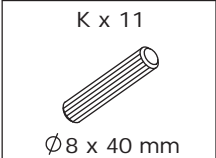
25



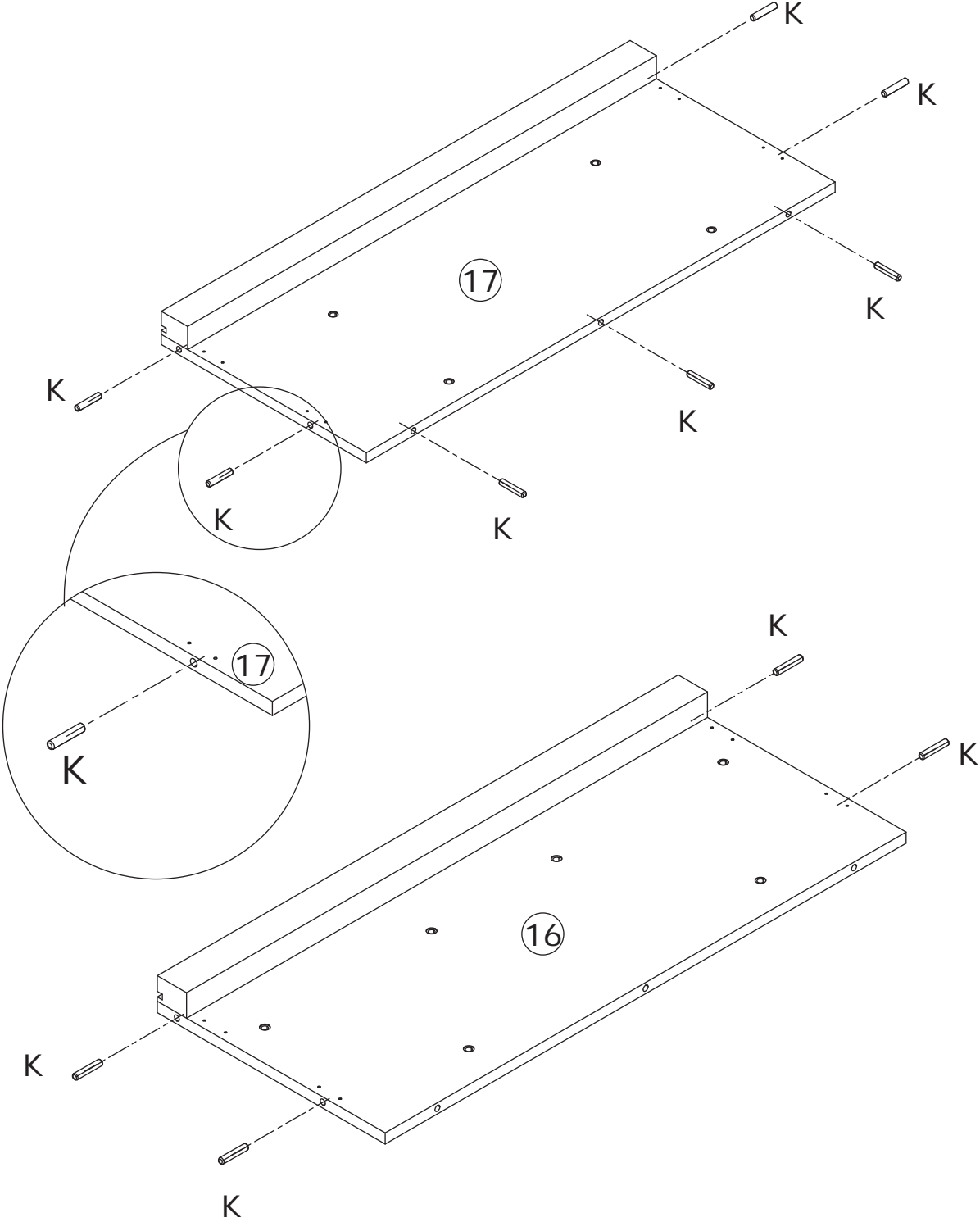
Secure leg 12 and 13 to part 19 and 18, respectively, using screw (G).



26

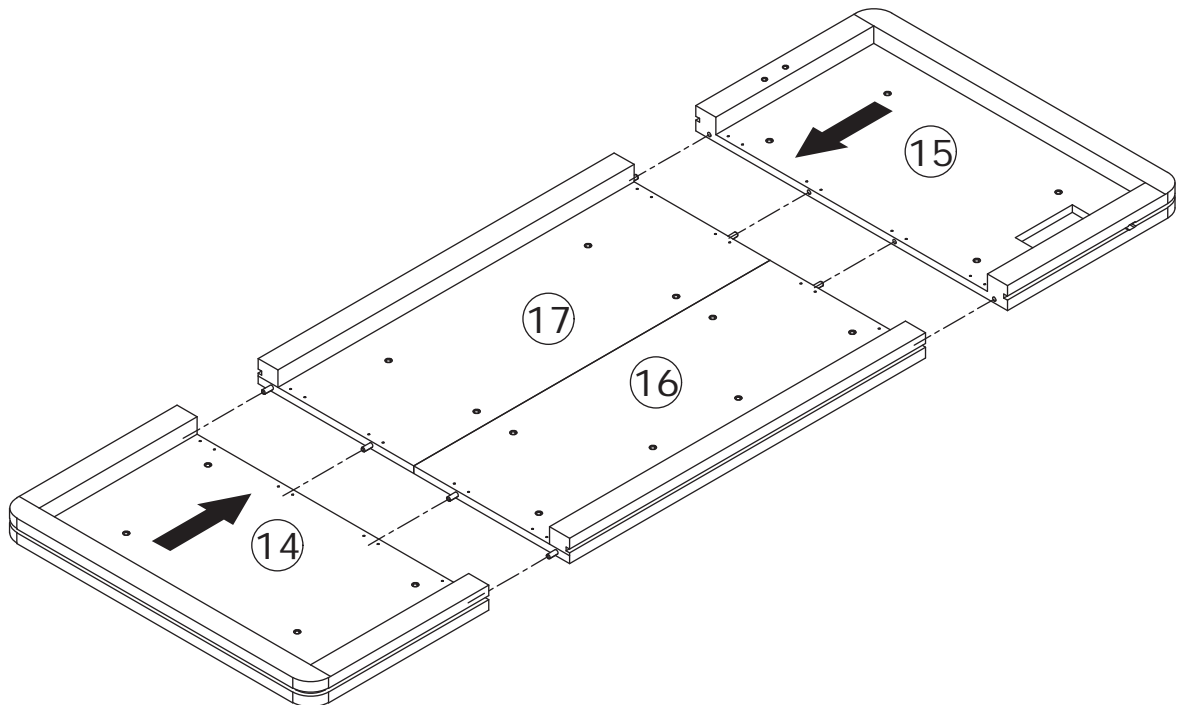
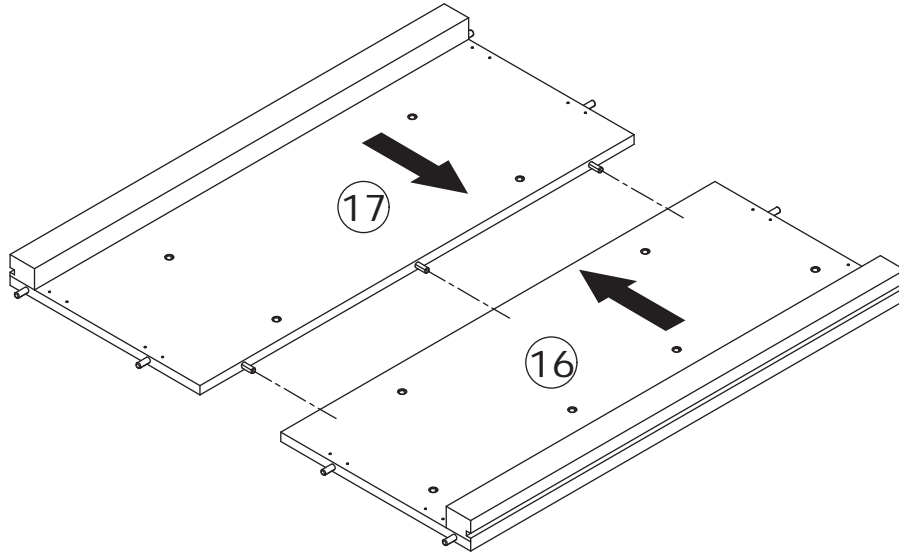


Insert wooden dowel (K) into part 16 and 17.

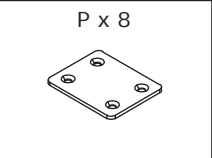
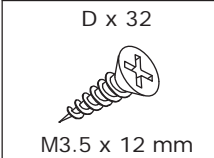


27

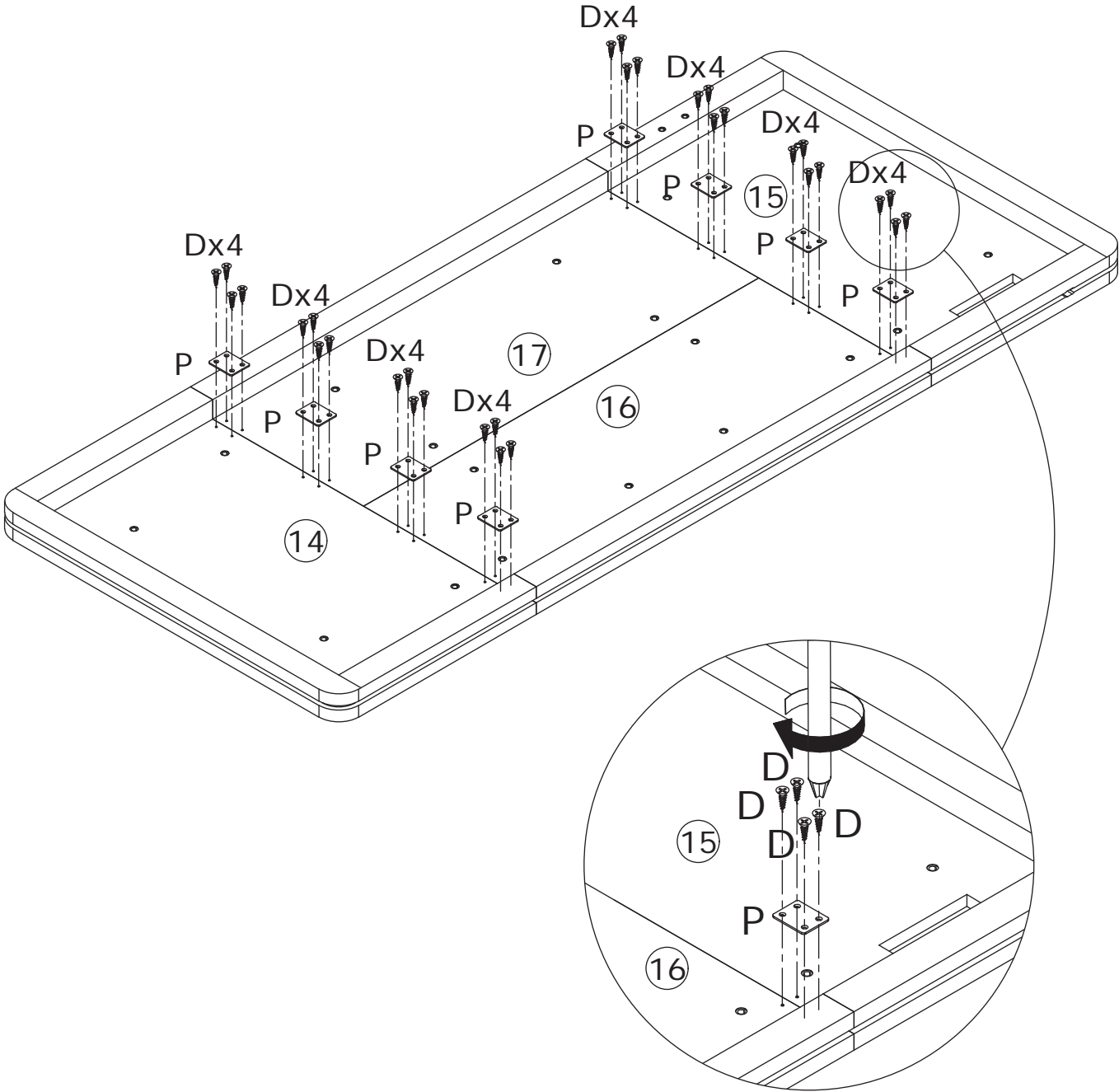
First connect part 16 and 17. Then connect part 14 and 15 to part 16 and 17.






28

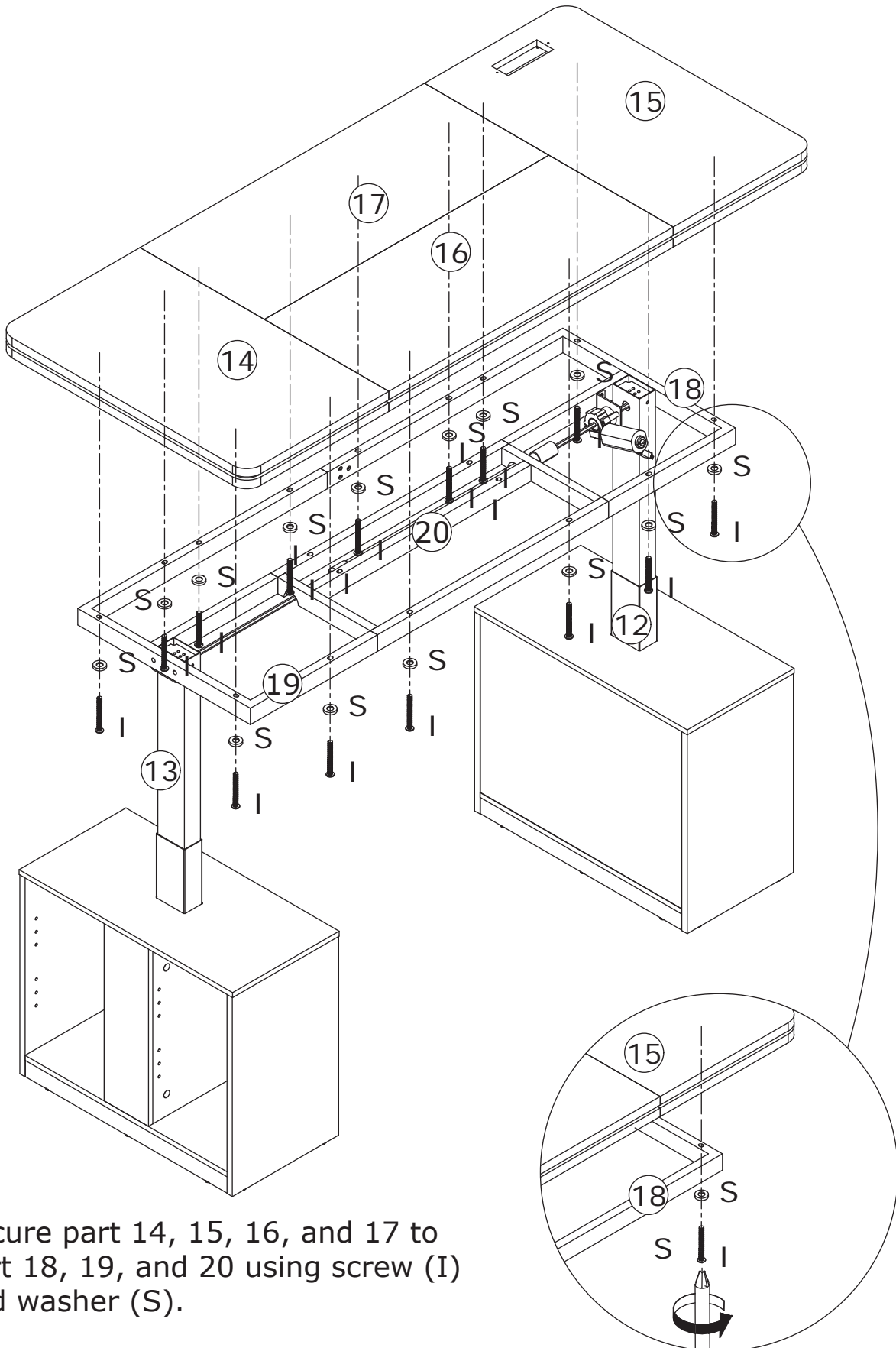


Secure iron sheet (P) to part 14, 15, 16 and 17 using screw (D).



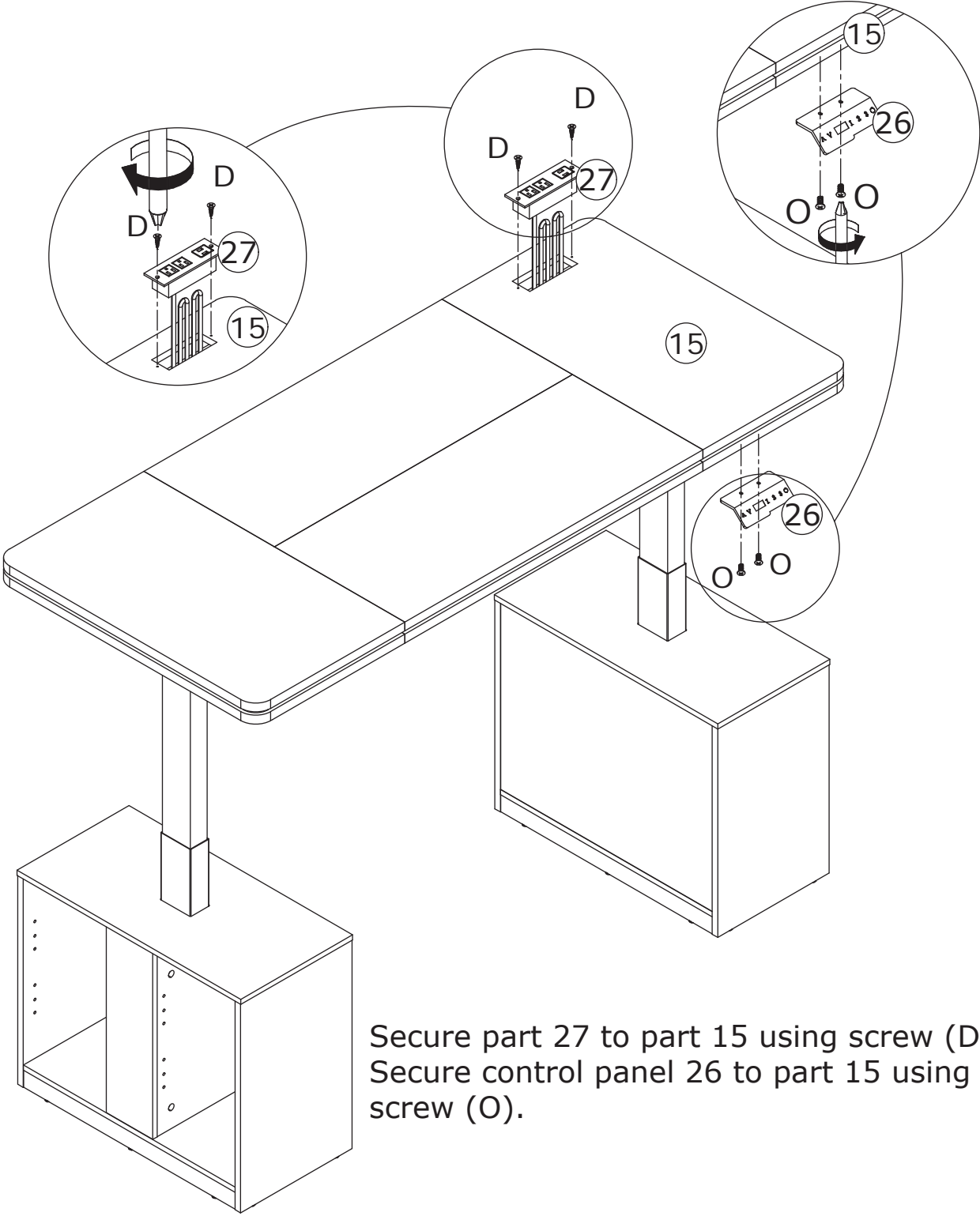
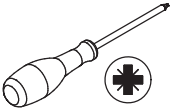
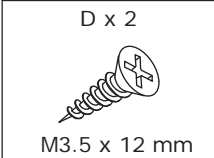
29

<p>I x 18 M6 x 50 mm</p> 	<p>S x 18 Ø15 x Ø6 x 2 mm</p> 	<p>x 1 #4</p> 	
----------------------------------------------------------------------------------------------------------------	---------------------------------------------------------------------------------------------------------------------	-----------------------------------------------------------------------------------------------------	--



Secure part 14, 15, 16, and 17 to part 18, 19, and 20 using screw (I) and washer (S).

30



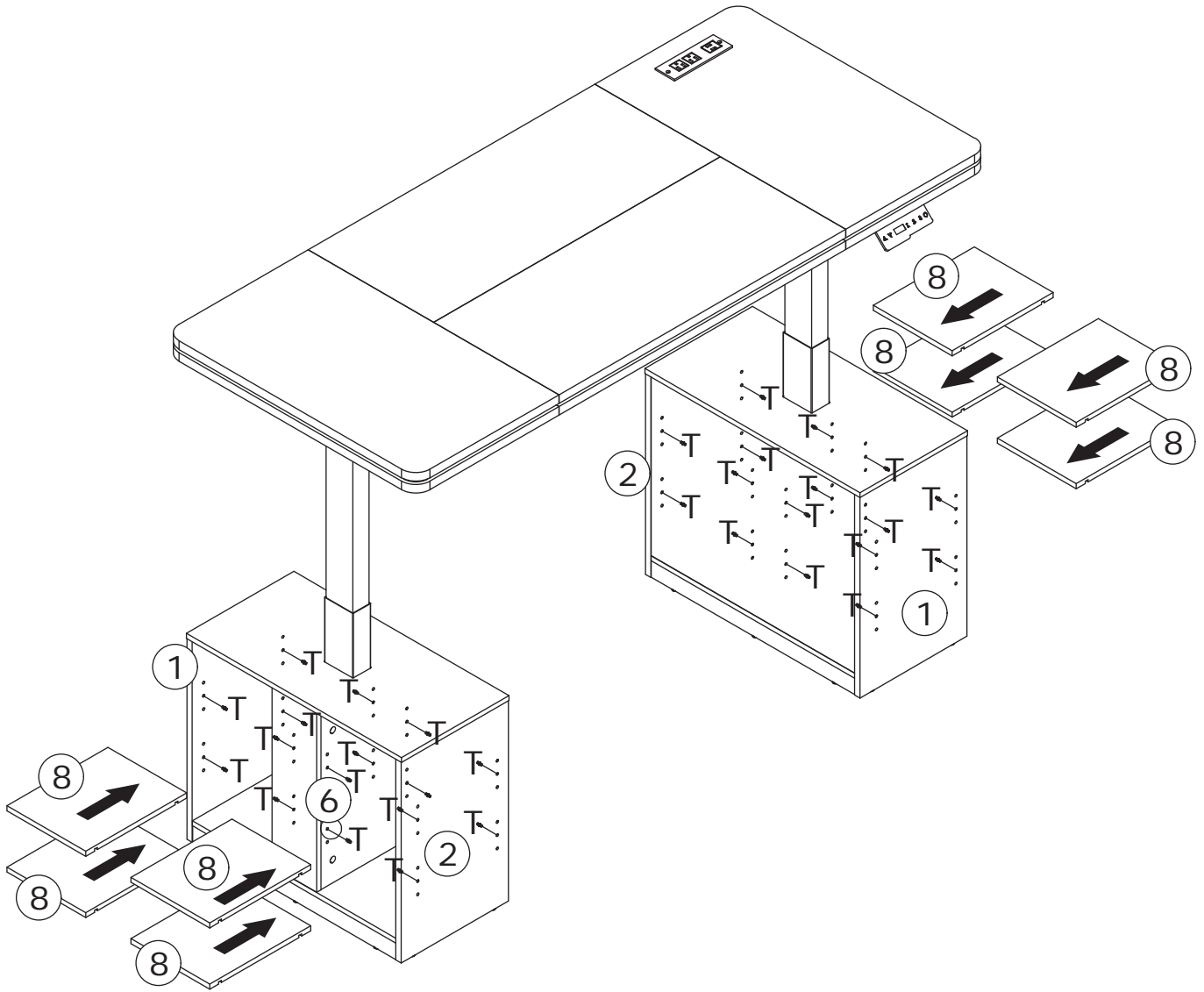
Secure part 27 to part 15 using screw (D).
Secure control panel 26 to part 15 using screw (O).

31

T x 32

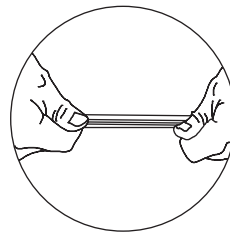


Insert pin (T) onto part 1, 2, 5 and 6, and place part 8 onto.

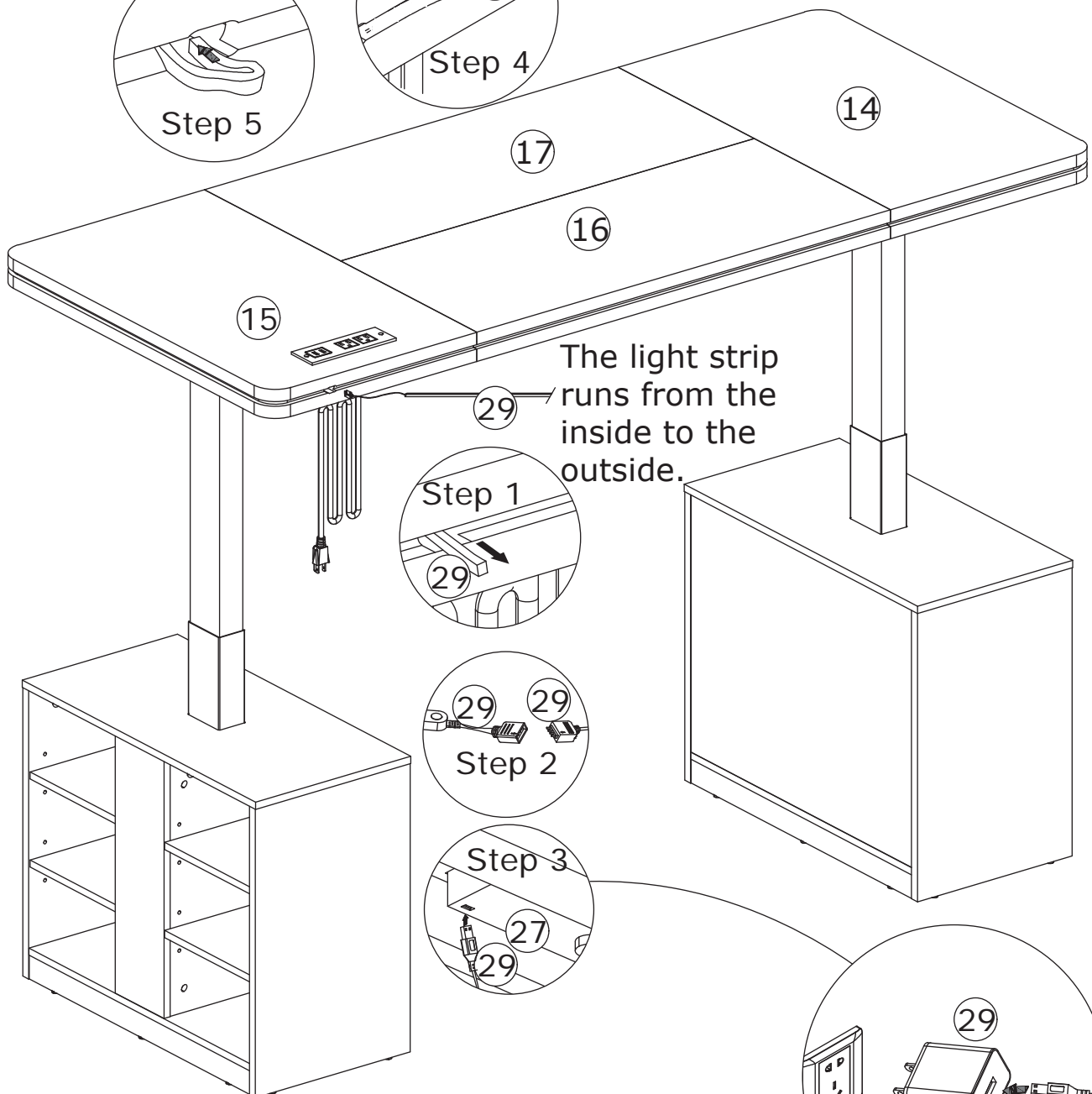
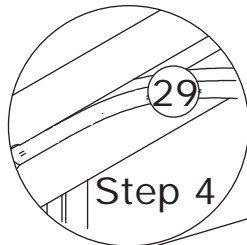


32

Insert the LED light strip into the hole; if it's too long, you can cut off a part with scissors.



After stretching the LED strip, press it into the groove along the channel.

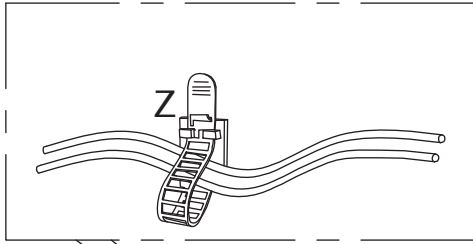


The light strip runs from the inside to the outside.

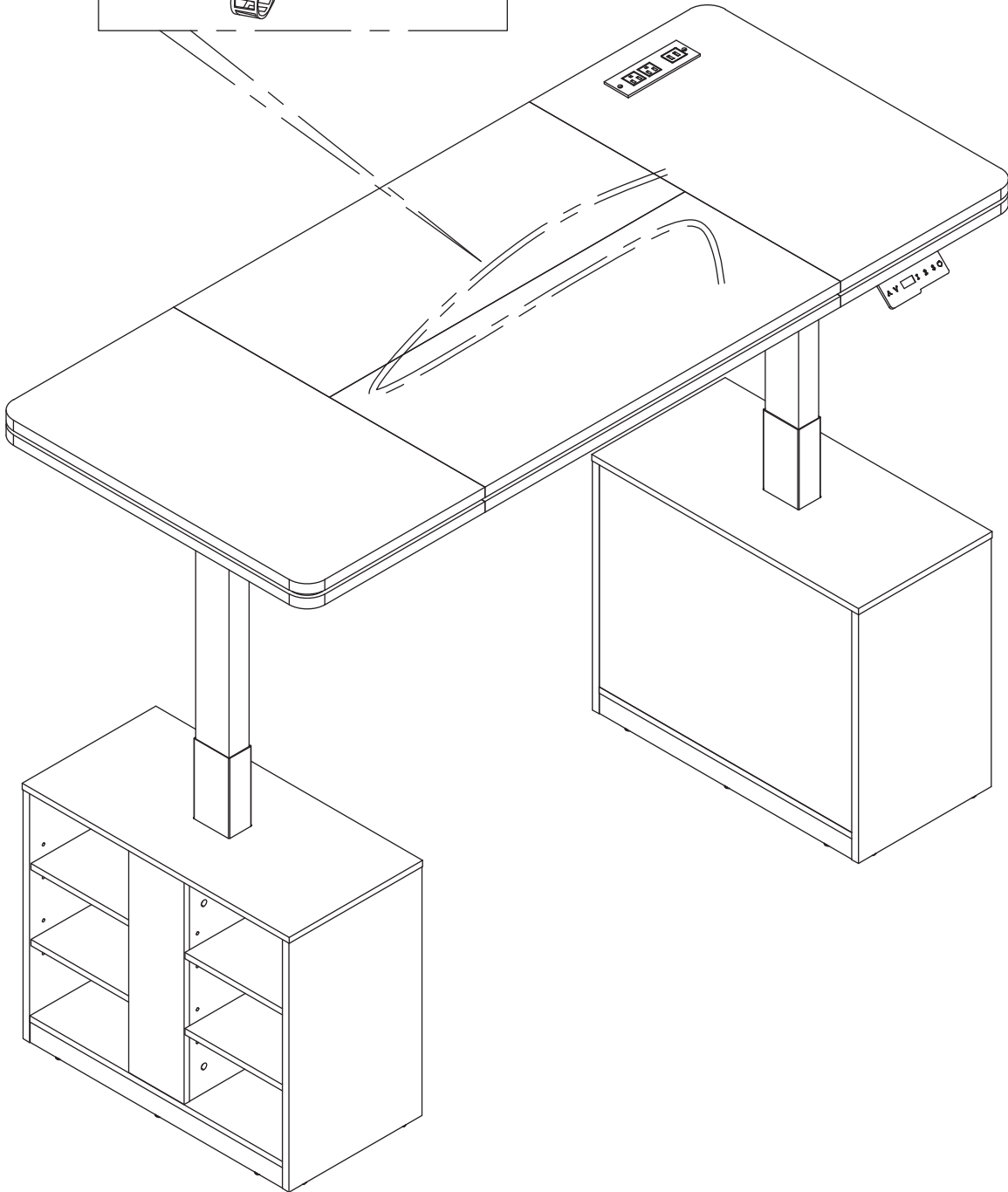
Can also be powered by an external power source separately.

33

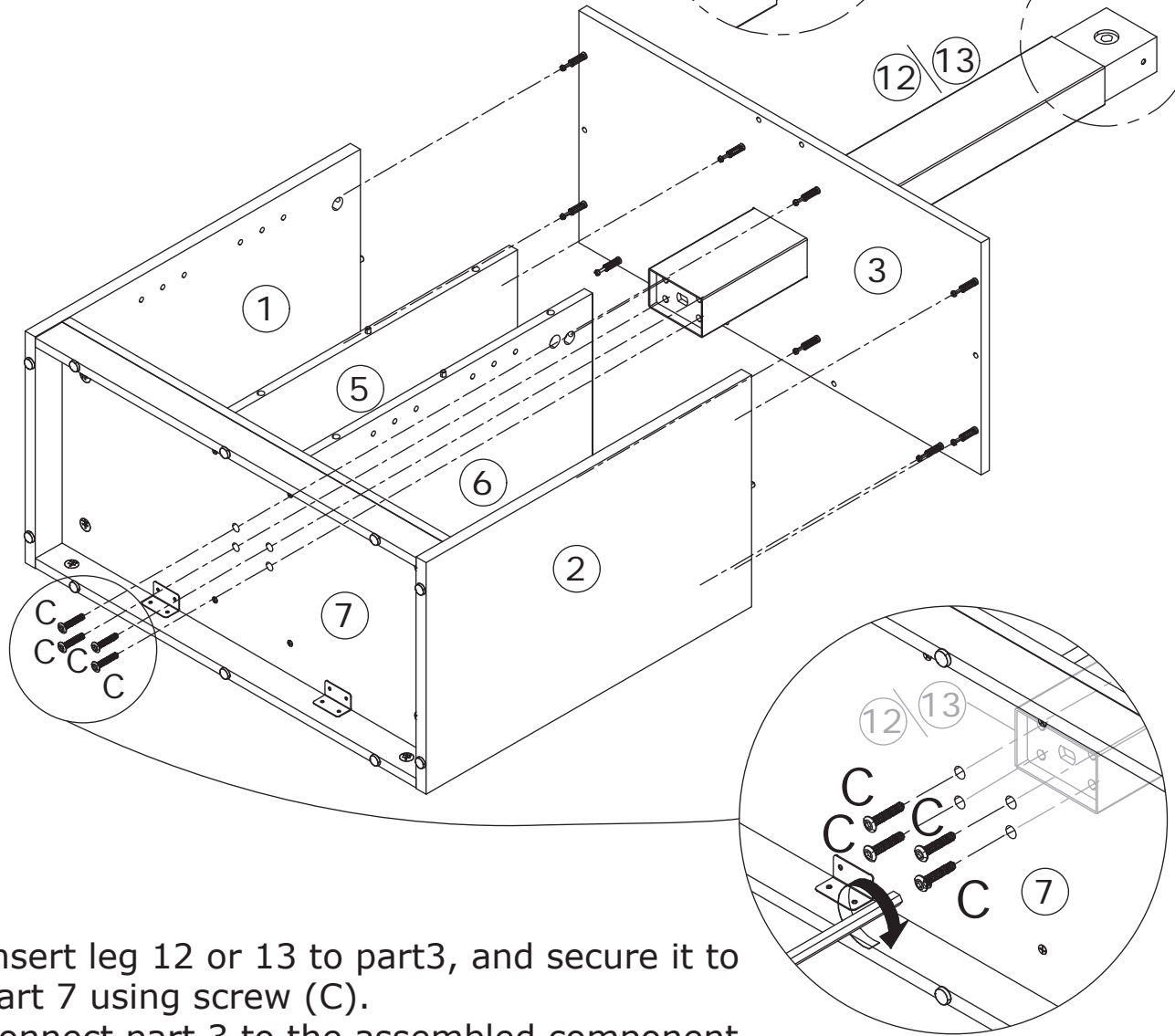
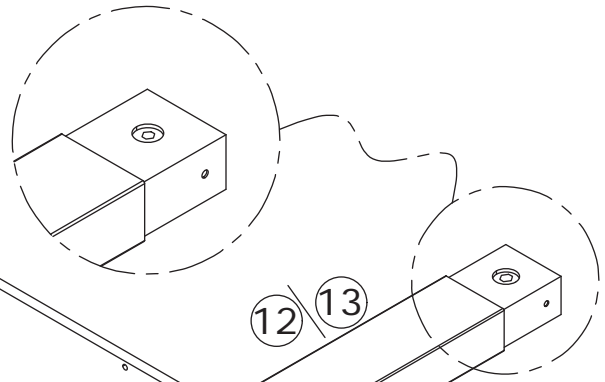
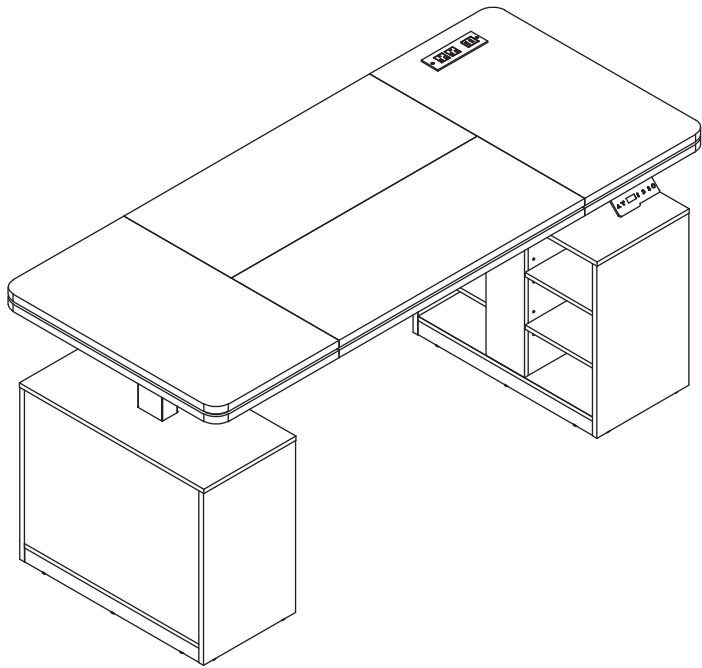
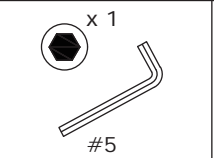
R x 3



To be neater, tidy up the messywires.



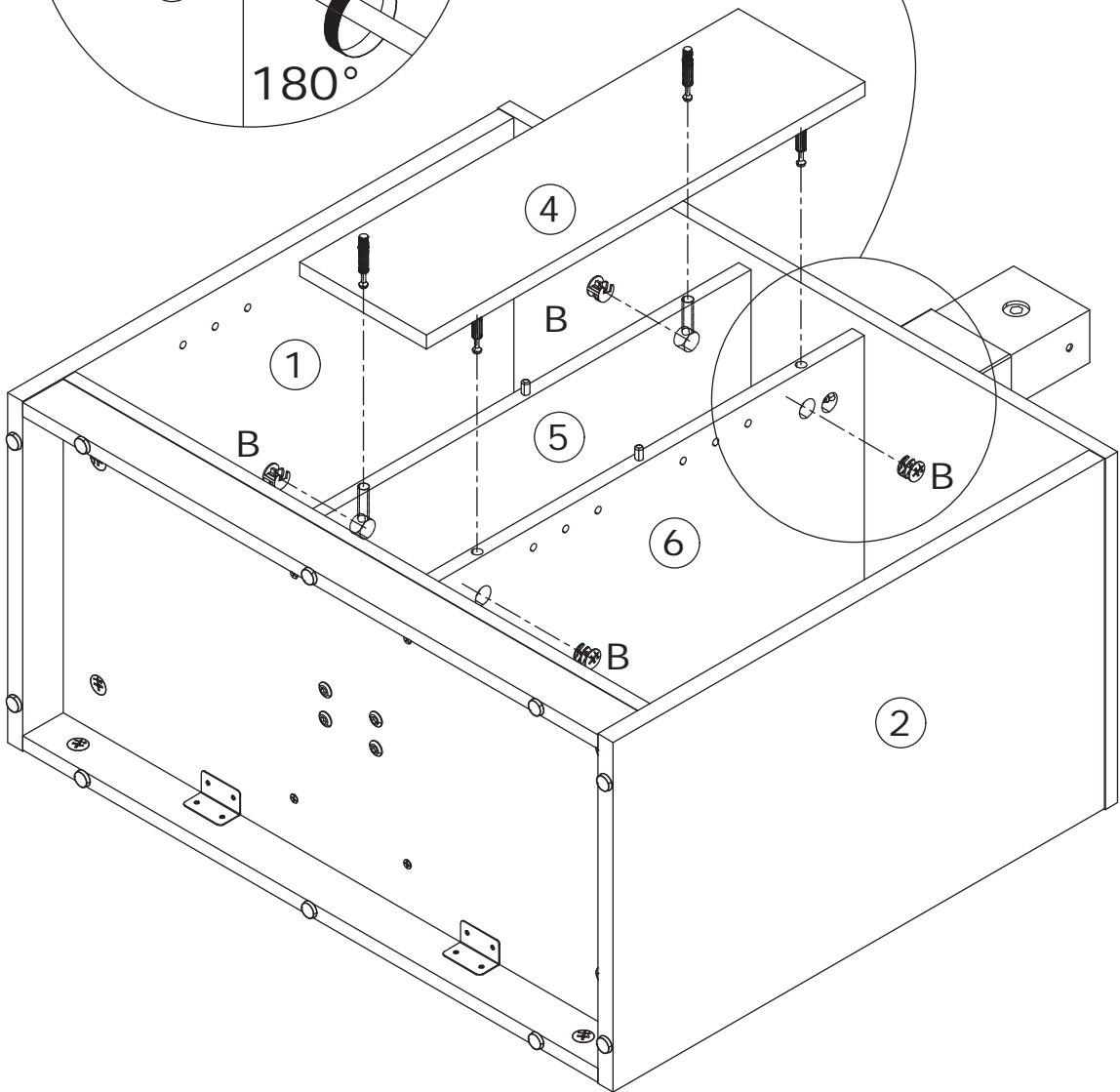
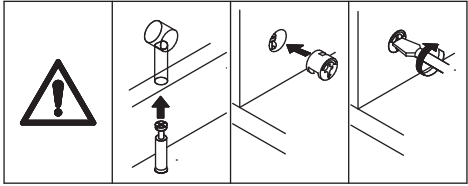
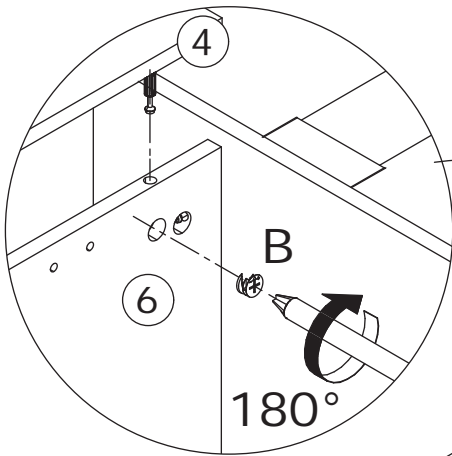
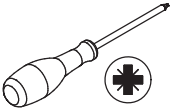
34



Insert leg 12 or 13 to part 3, and secure it to part 7 using screw (C).
Connect part 3 to the assembled component.

35

B x 8
Ø 15 x 10 mm

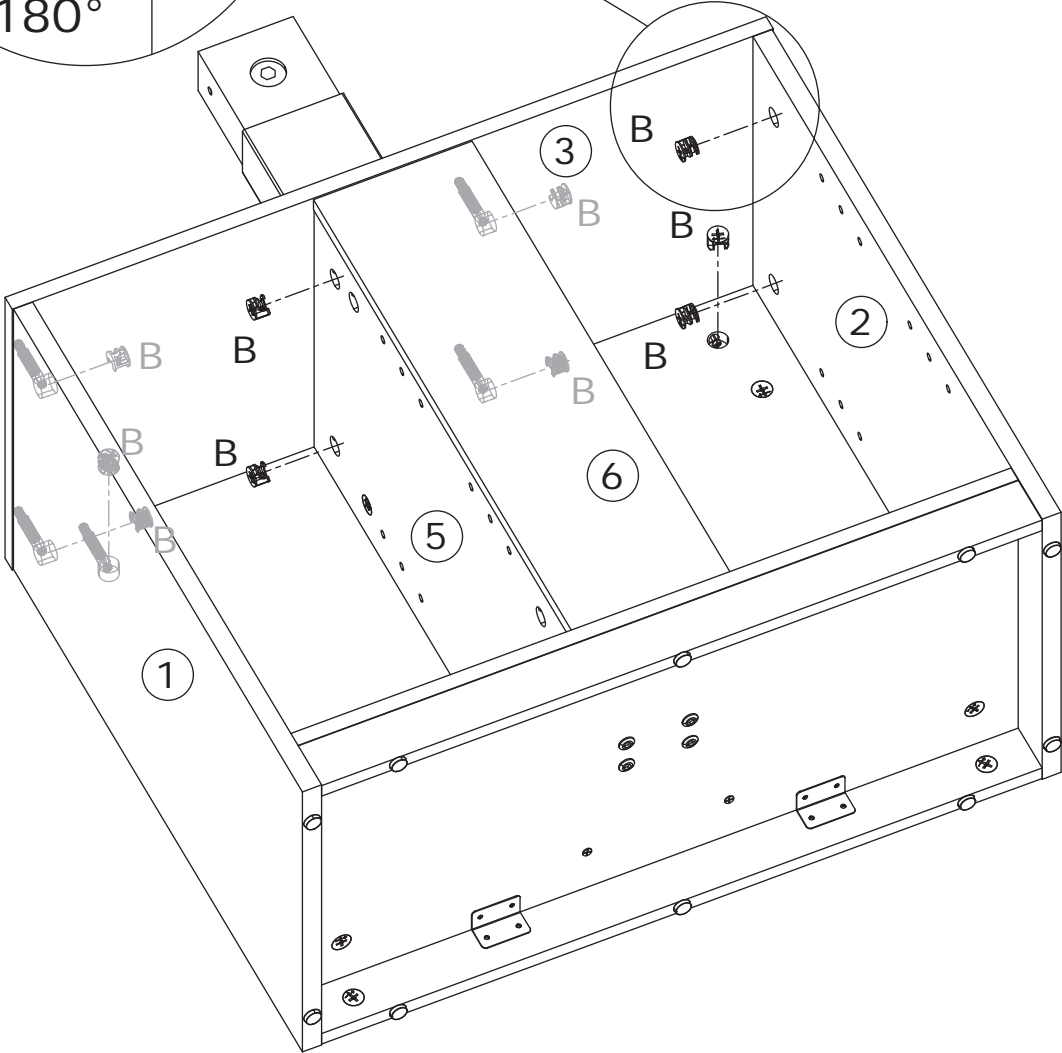
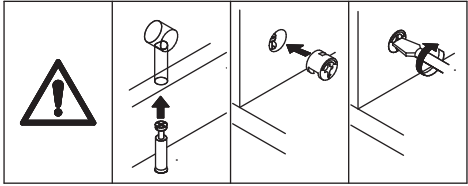
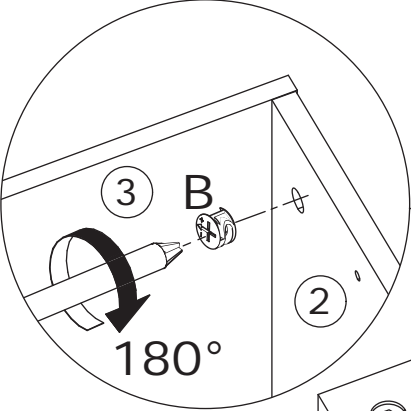
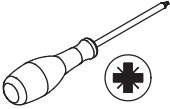


Connect part 4 to part 5 and 6, then tighten by turning cam lock (B) clockwise.

x2

36

B x 20
Ø 15 x 10 mm



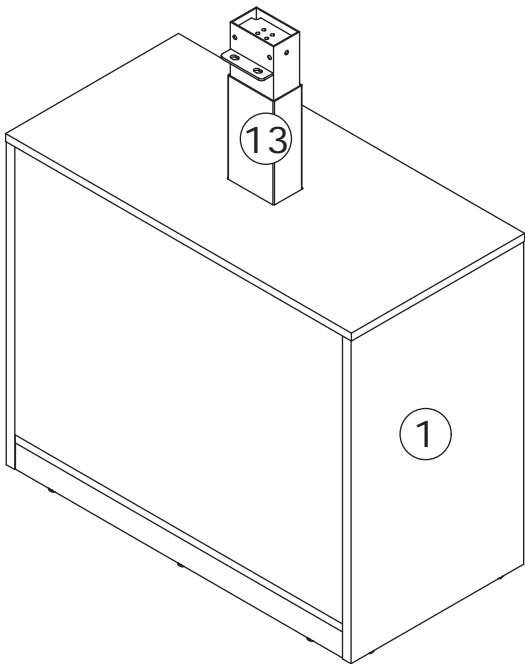
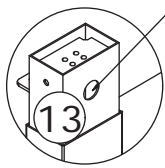
Put the cam lock (B) into part 1, 2, 5, and 6, then tighten them clockwise.

x2

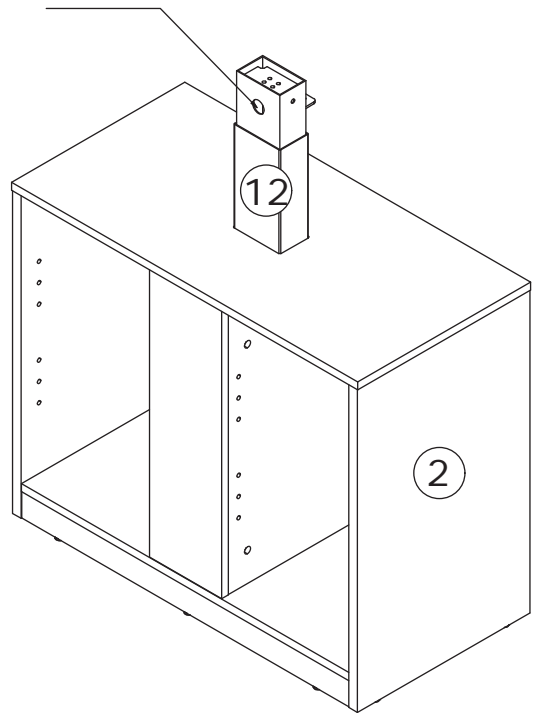
37



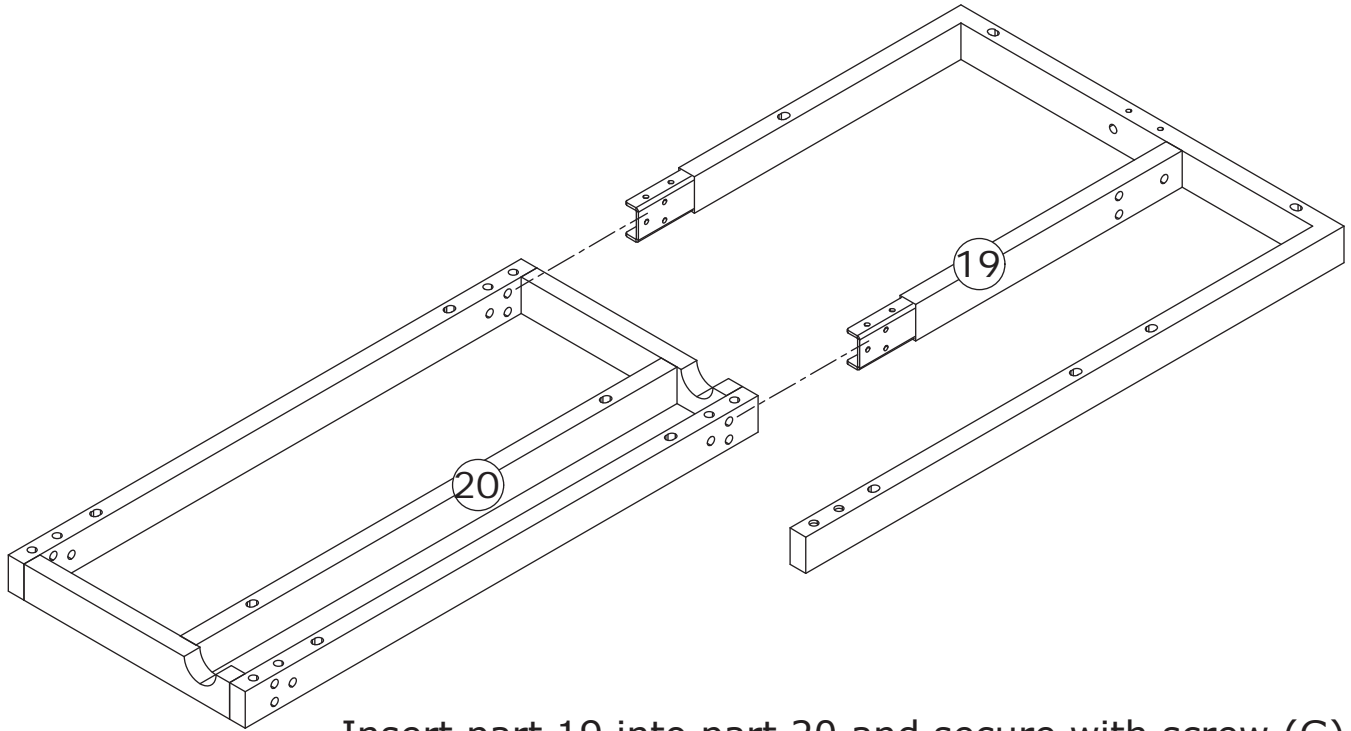
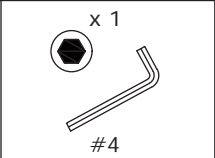
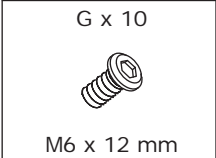
Black



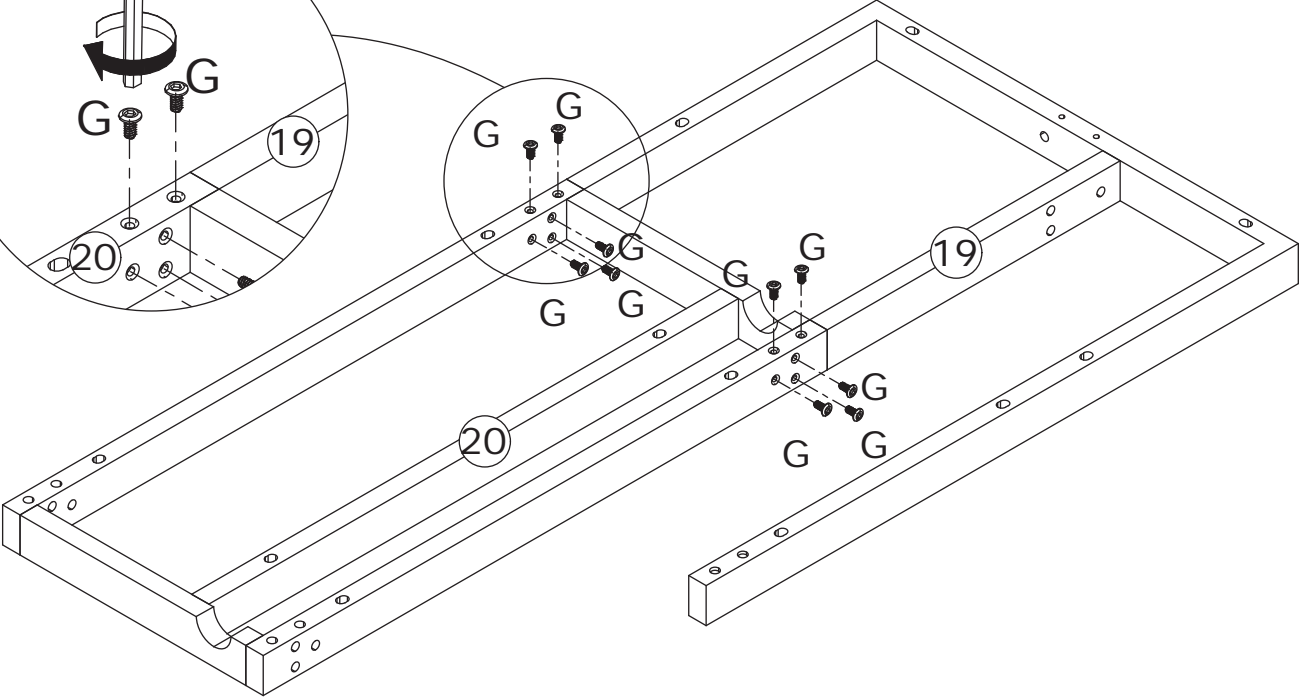
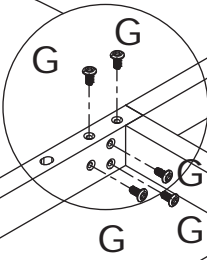
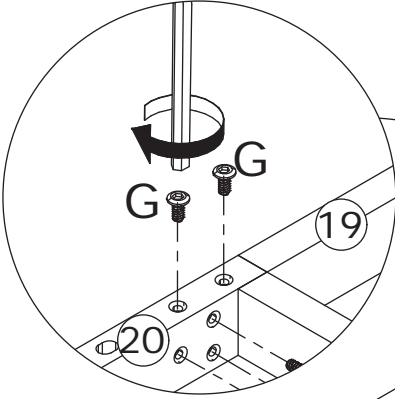
Red



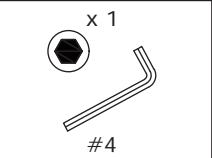
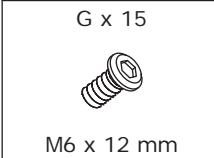
38



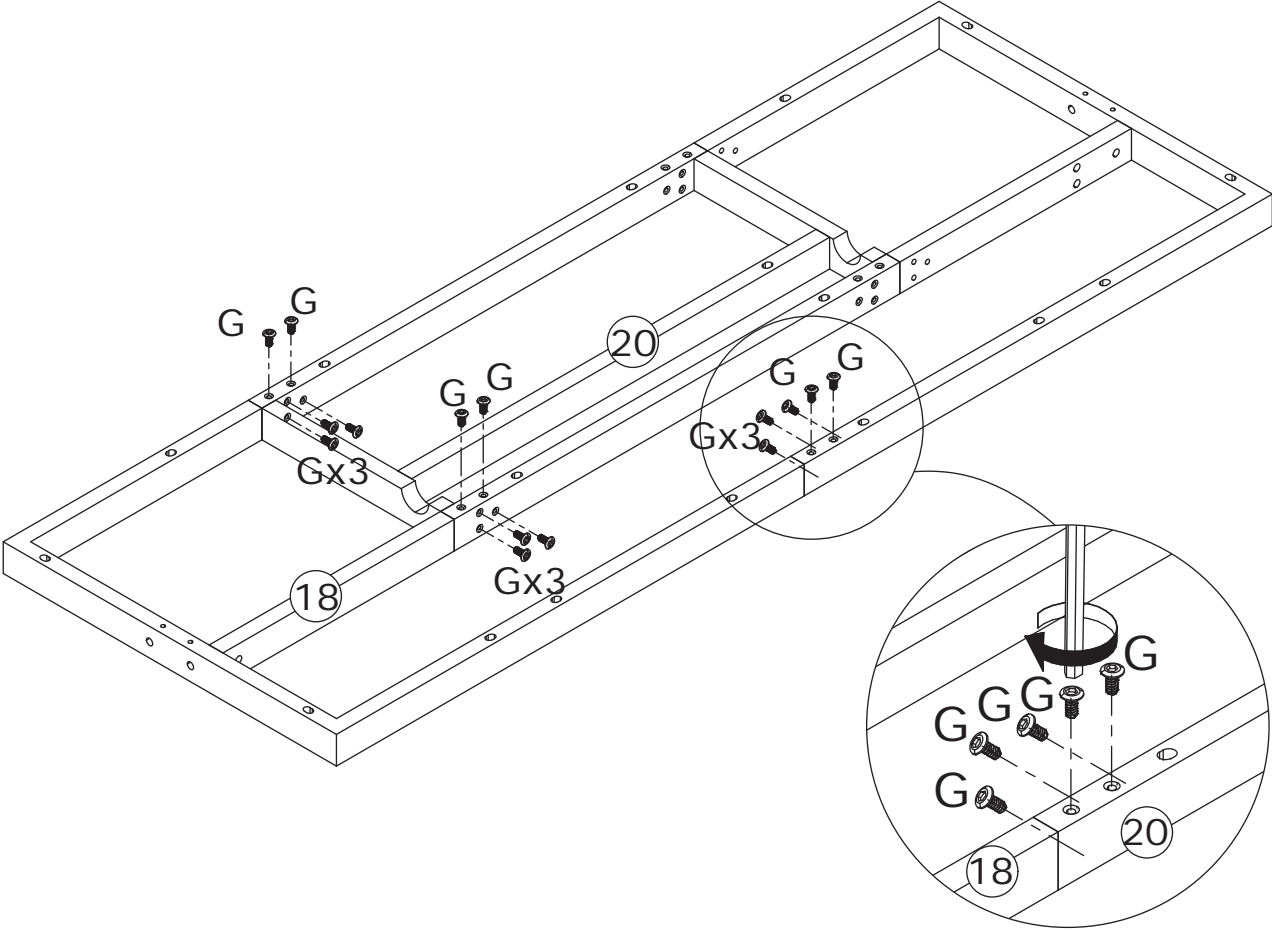
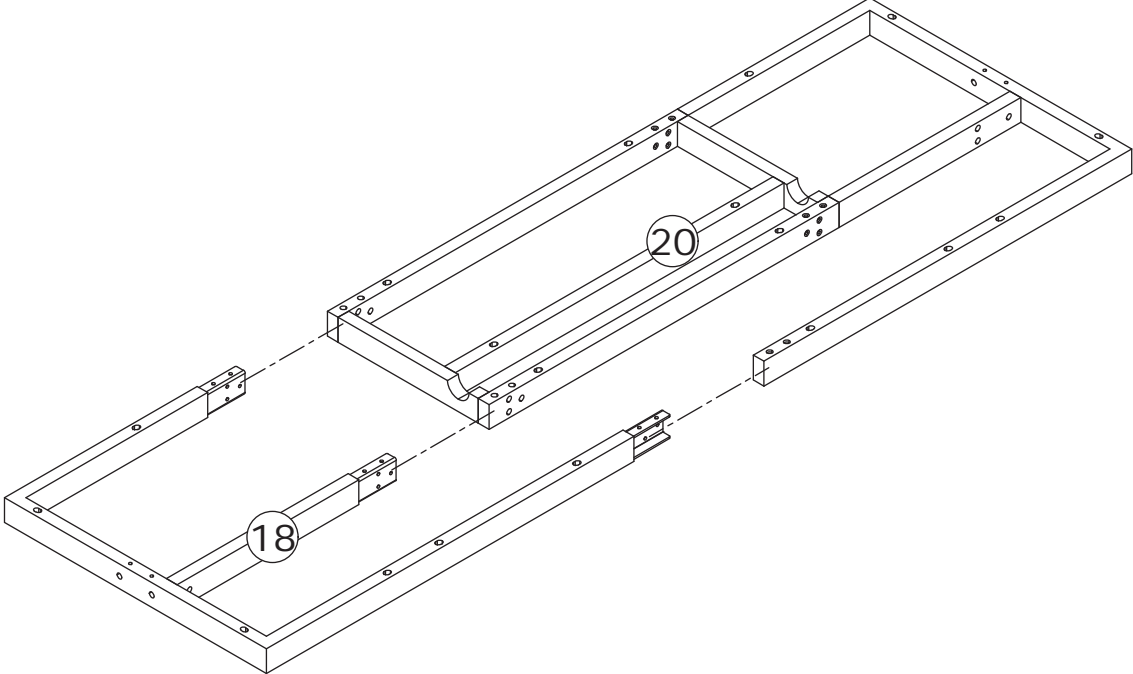
Insert part 19 into part 20 and secure with screw (G).



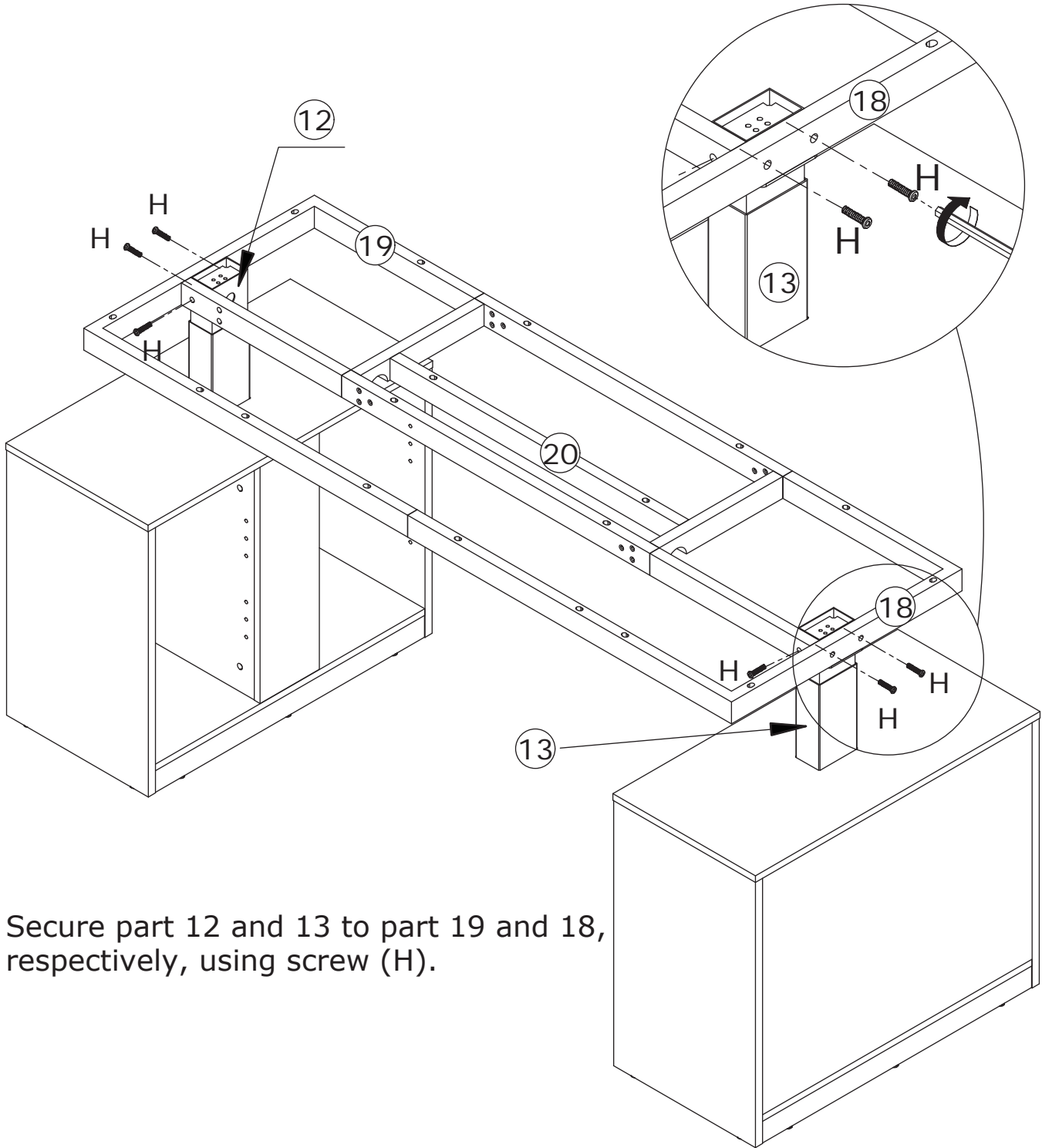
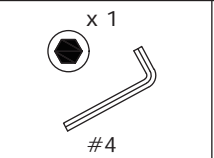
39



Insert part 18 into part 20 and secure with screw (G).







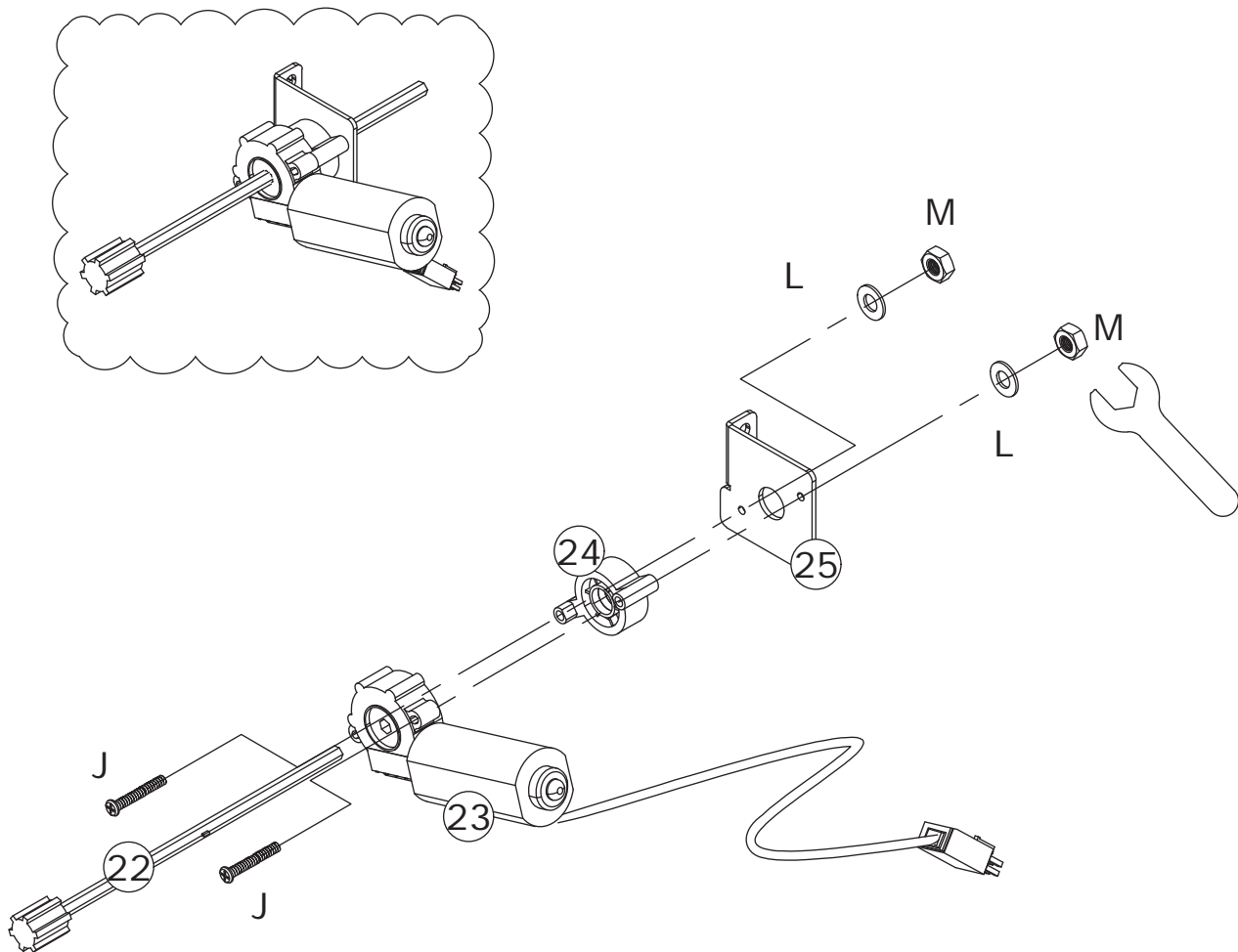
40



Secure part 12 and 13 to part 19 and 18, respectively, using screw (H).




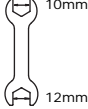
41

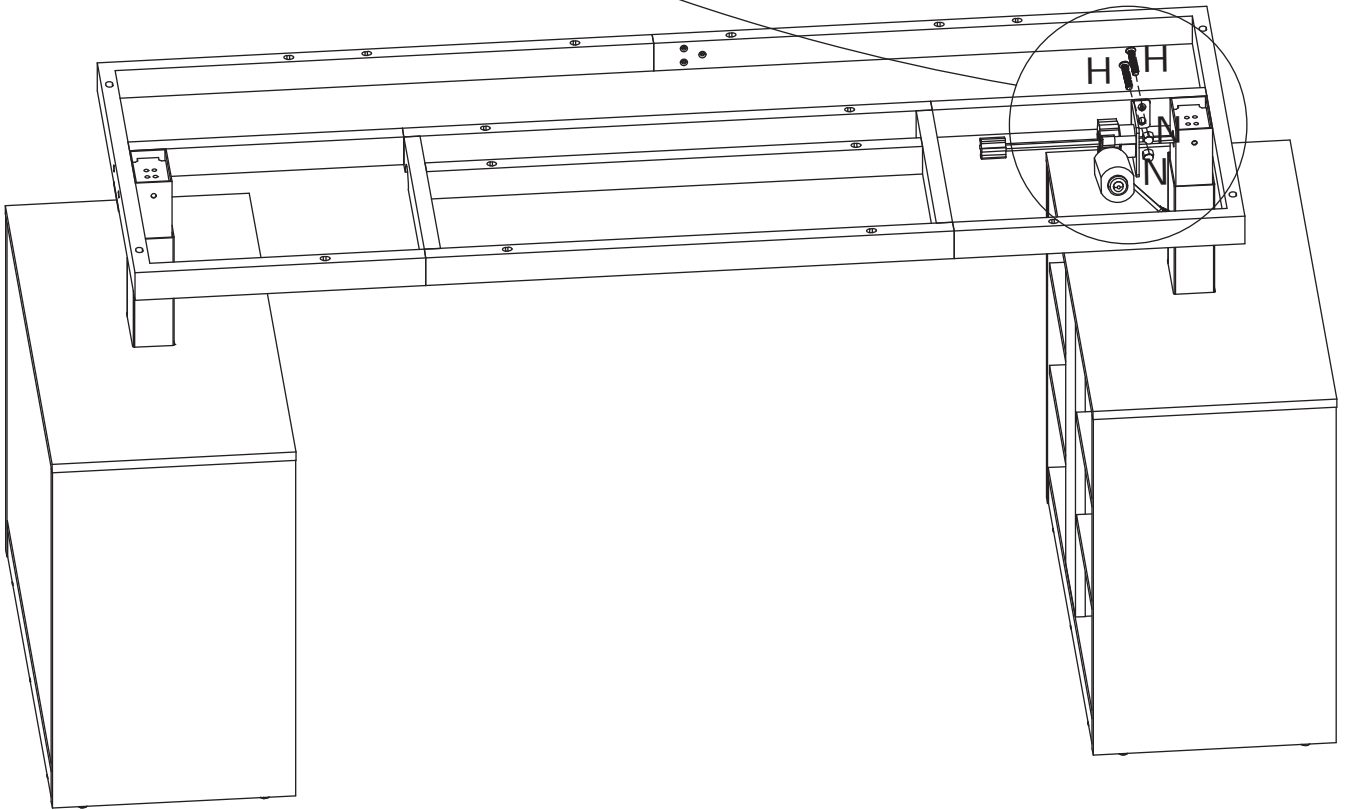
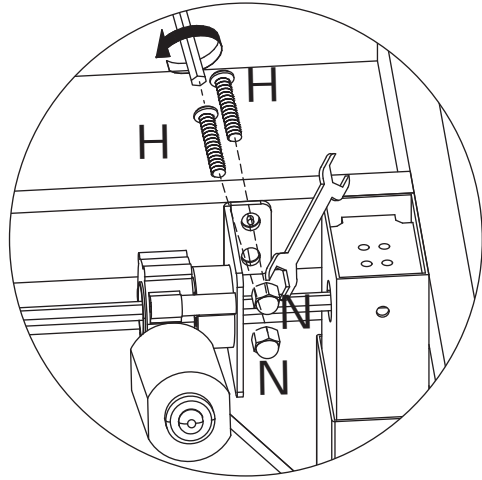
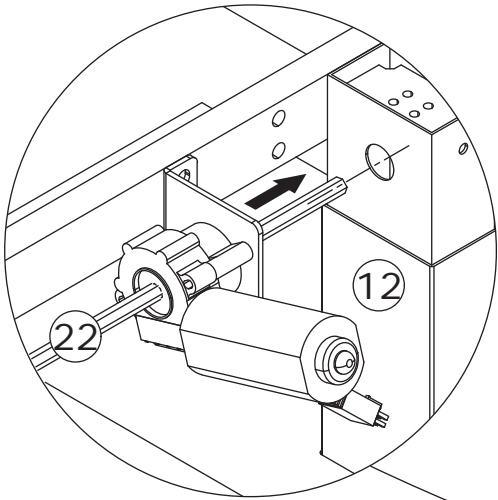
J x 2  M4 x 45 mm	L x 2  M4 x 1 x Ø12 mm	M x 2  M4	x 1  M4	
----------------------------------------------------------------------------------------------------------	---------------------------------------------------------------------------------------------------------------	--------------------------------------------------------------------------------------------------	-------------------------------------------------------------------------------------------------	--



Insert part 22 into part 23, 24 and 25, and secure using screw (J), washer (L) and nut (M).

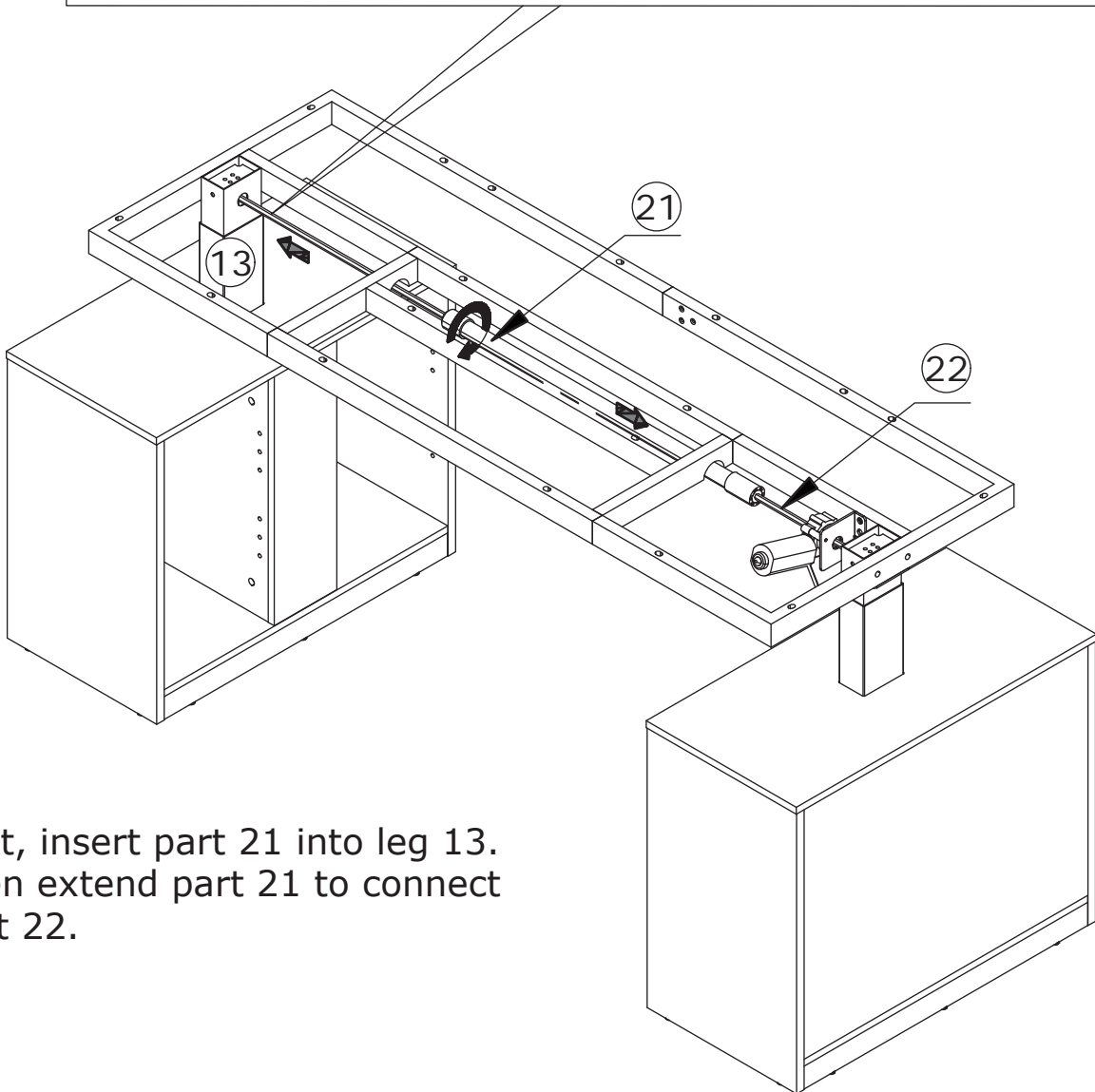
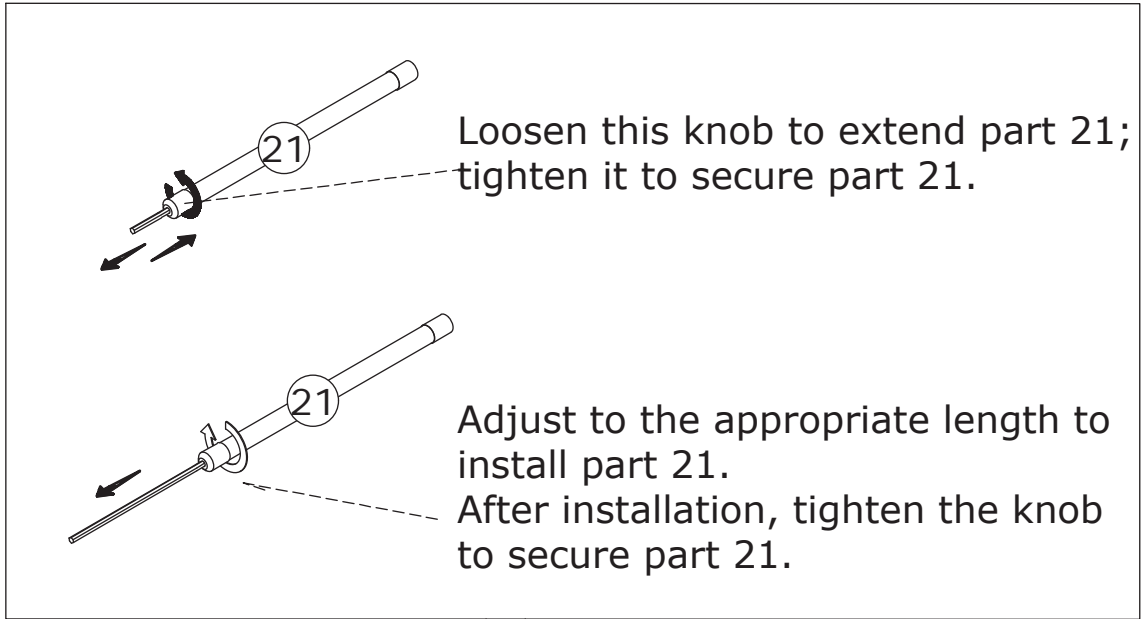
42

<p>H x 2 M6 x 30 mm</p> 	<p>N x 2 M6 x 12 mm</p> 	<p>x 1 #4</p> 	<p>x 1 10mm 12mm</p> 	
---------------------------------------------------------------------------------------------------------------	---------------------------------------------------------------------------------------------------------------	-----------------------------------------------------------------------------------------------------	-----------------------------------------------------------------------------------------------------------------	--



Insert part 22 into leg 12.
Secure part 25 to part 19 using screw (H) and nut (N).

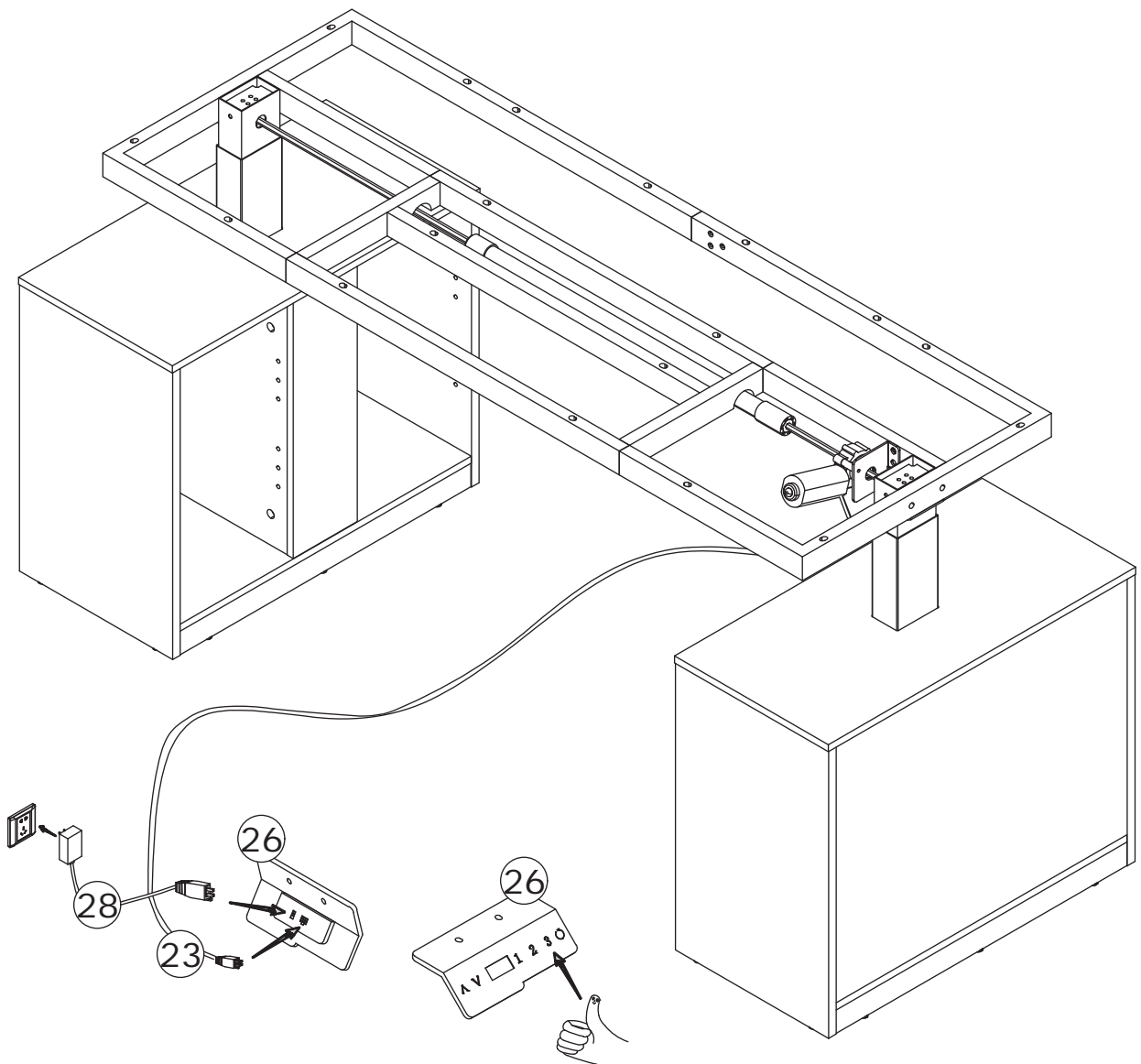
43



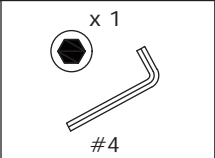
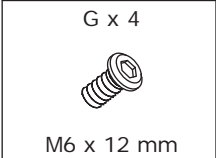
First, insert part 21 into leg 13.
Then extend part 21 to connect
part 22.

44

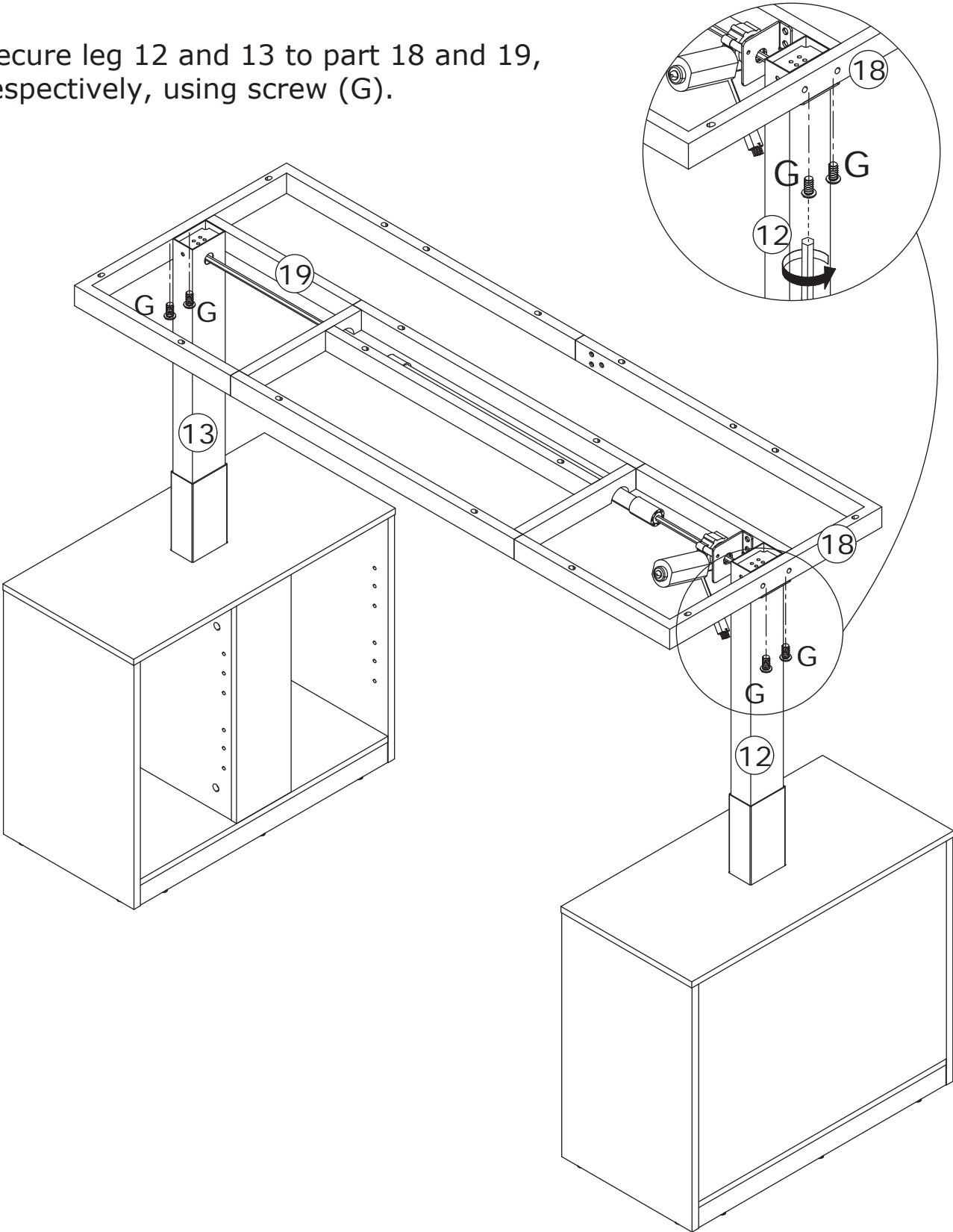
First connect wire 23 and power supply 28 to control panel 26. Press button 3 to adjust the desk to the highest point.



45

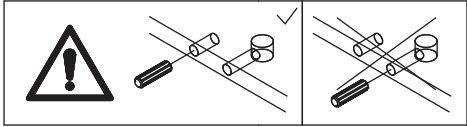


Secure leg 12 and 13 to part 18 and 19, respectively, using screw (G).

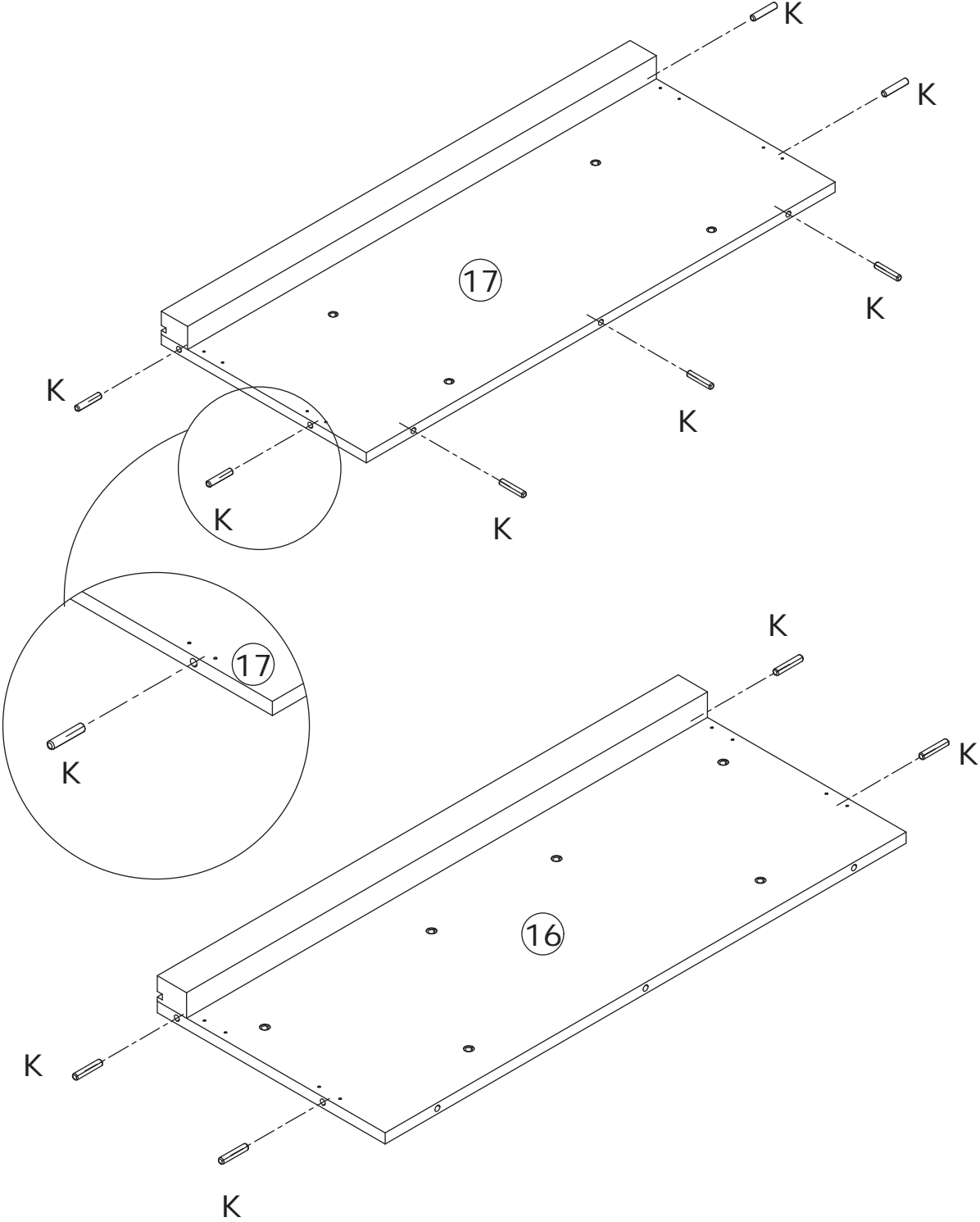


46

K x 11
Ø8 x 40 mm

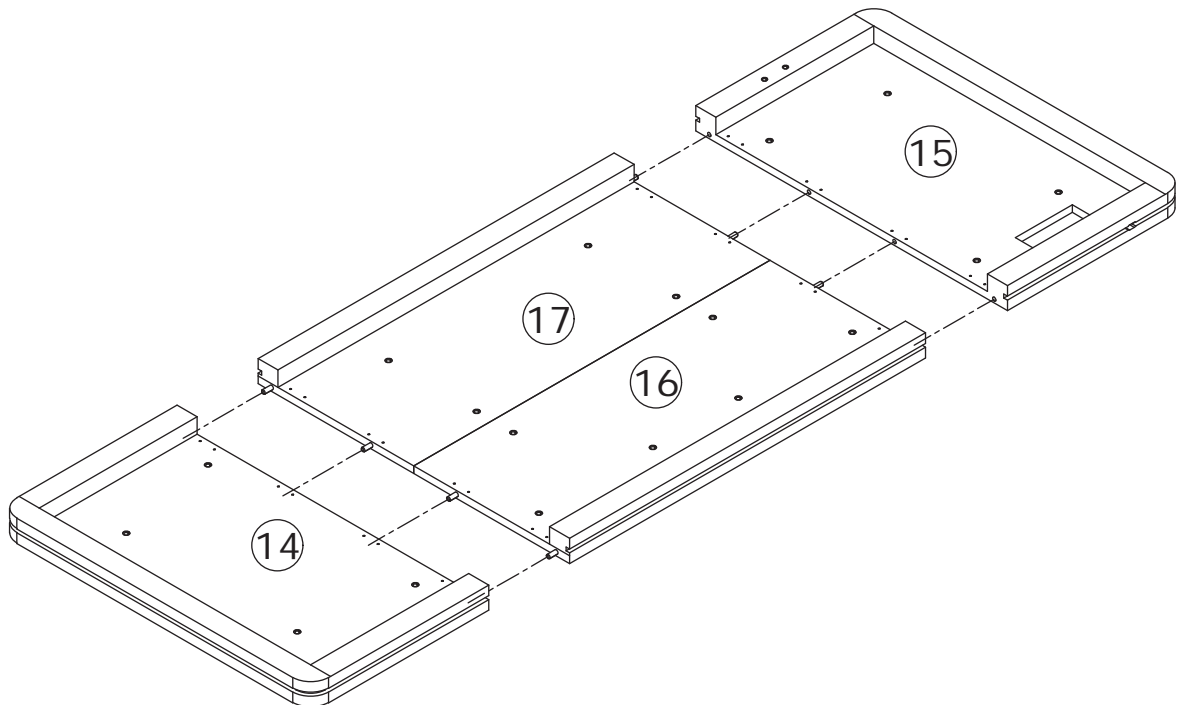
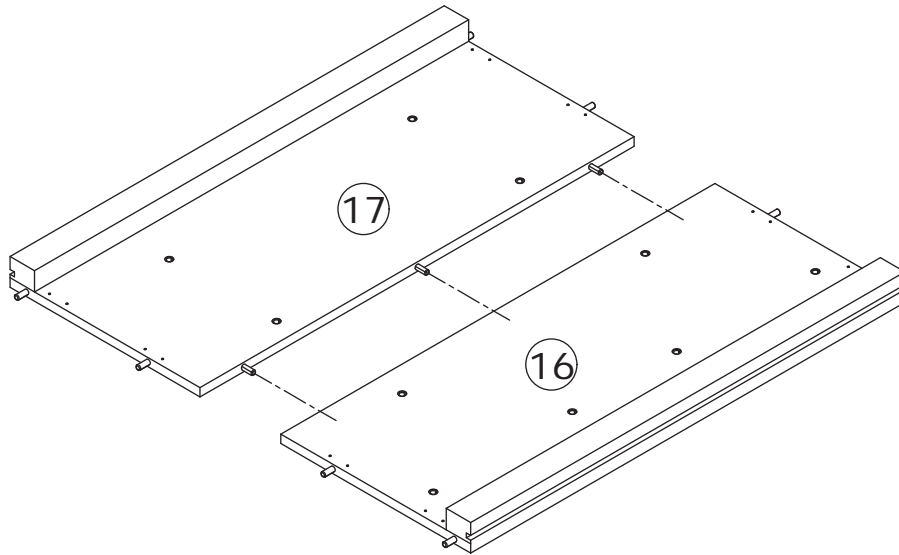


Insert wooden dowel (K) into part 16 and 17.

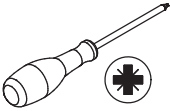
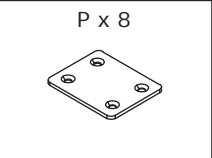
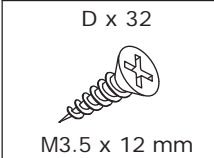


47

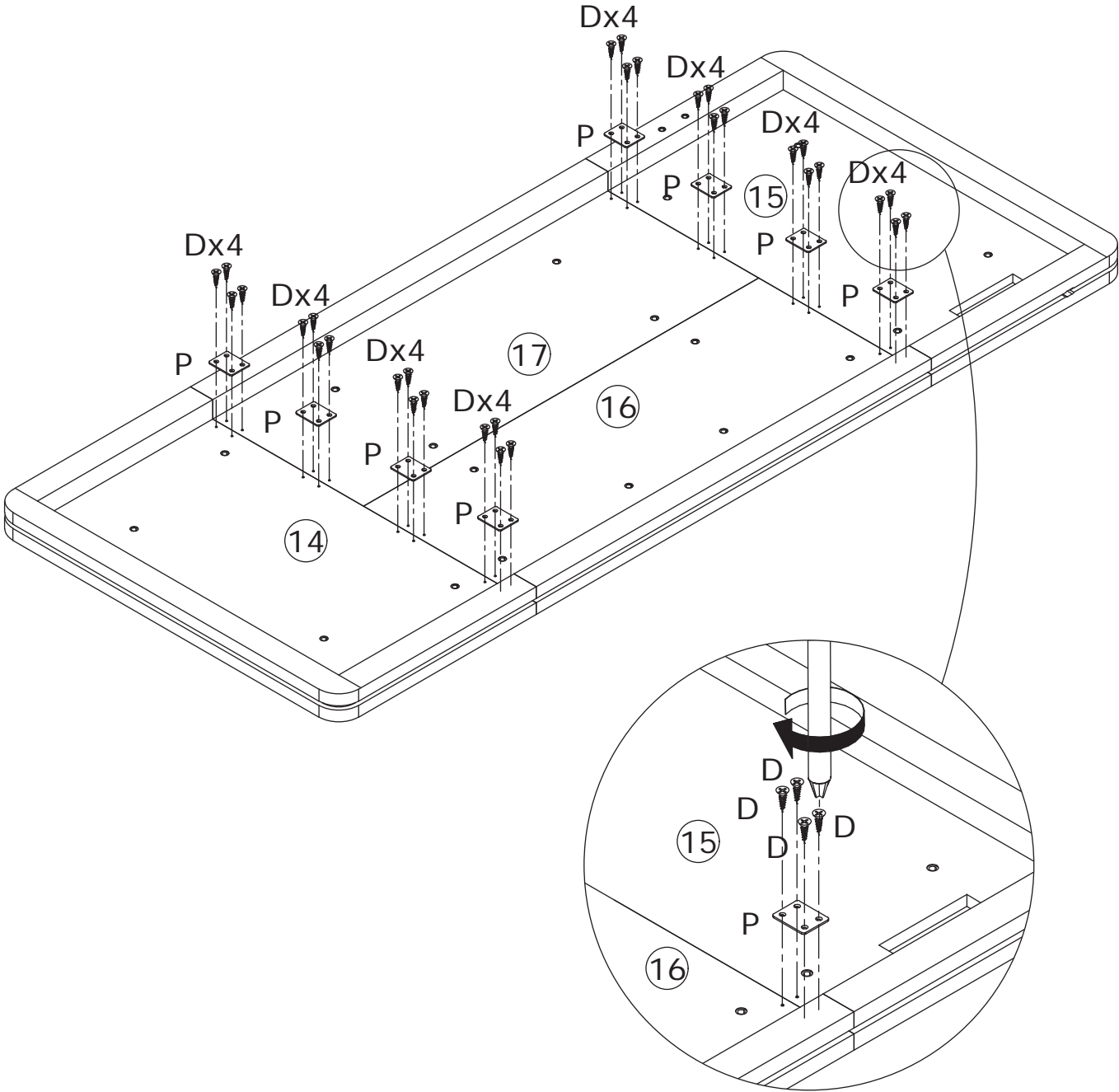
First connect part 16 and 17. Then connect part 14 and 15 to part 16 and 17.



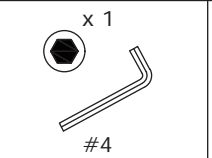
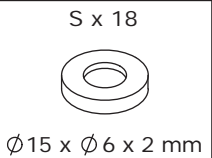
48



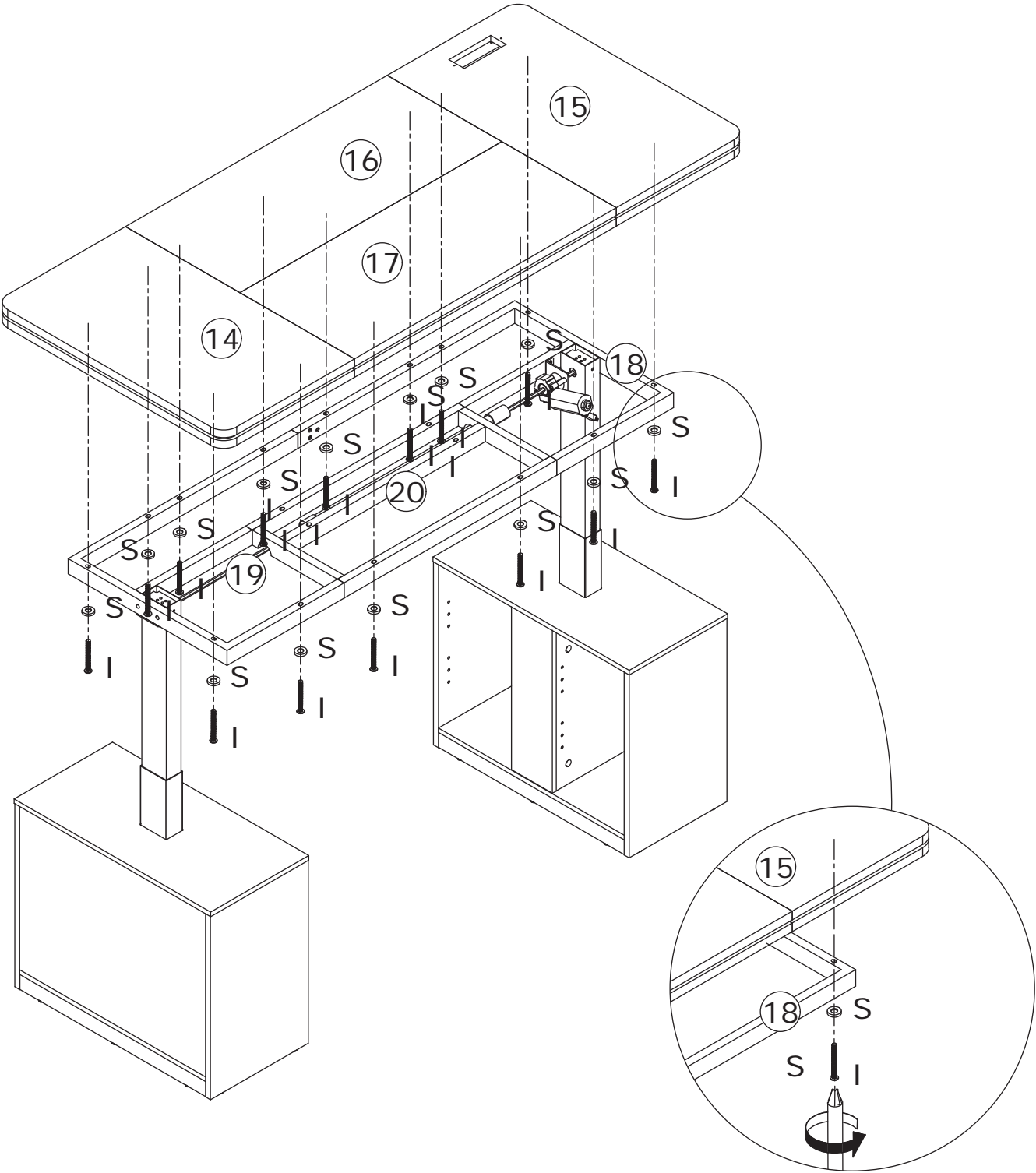
Secure iron sheet (P) to part 14, 15, 16 and 17 using screw (D).



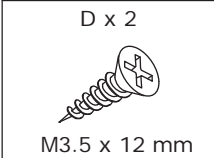
49



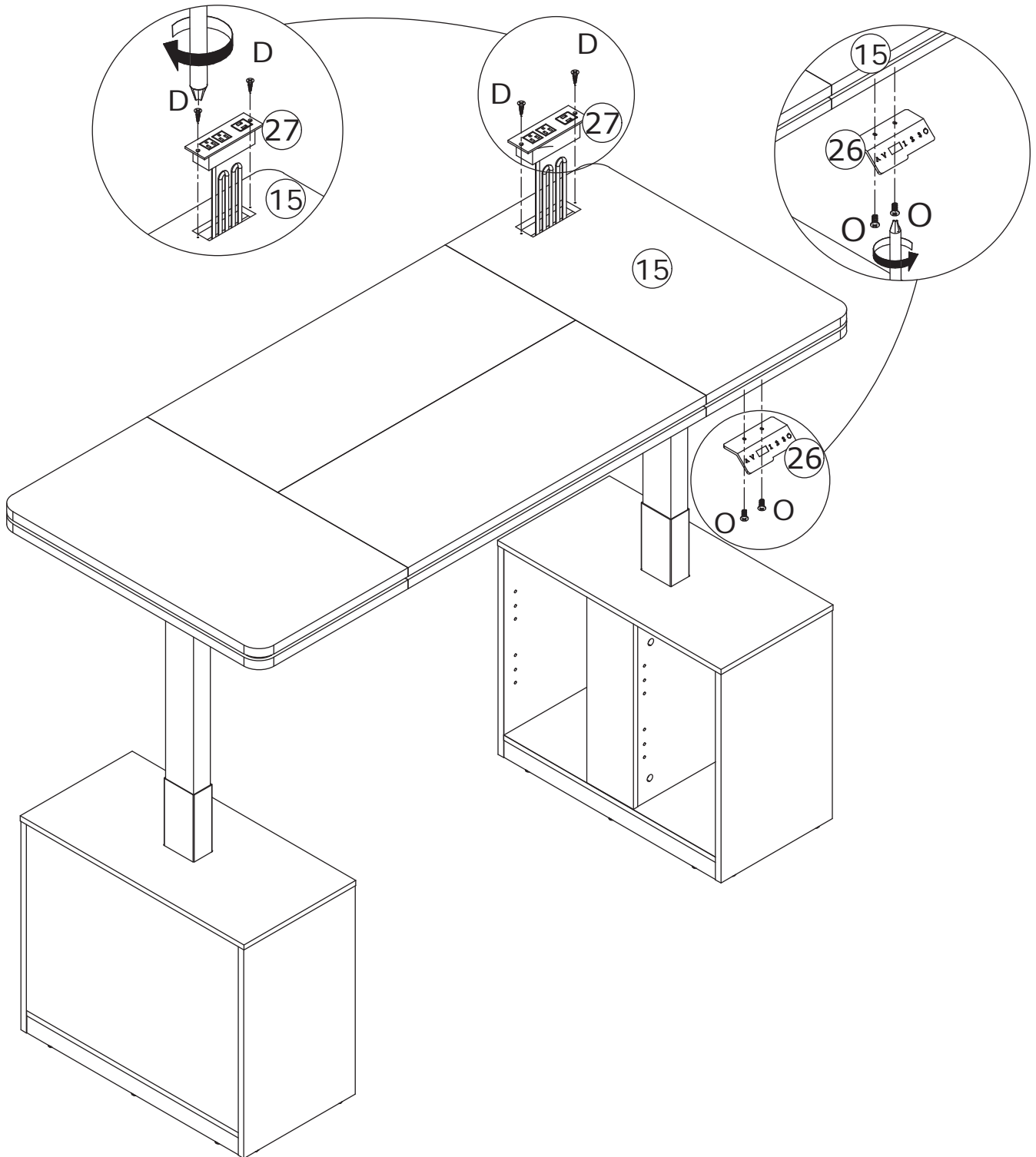
Secure part 14, 15, 16, and 17 to part 18, 19, and 20 using screw (I) and washer (S).



50



Secure part 27 to part 15 using screw (D).
Secure control panel 26 to part 15 using screw (O).

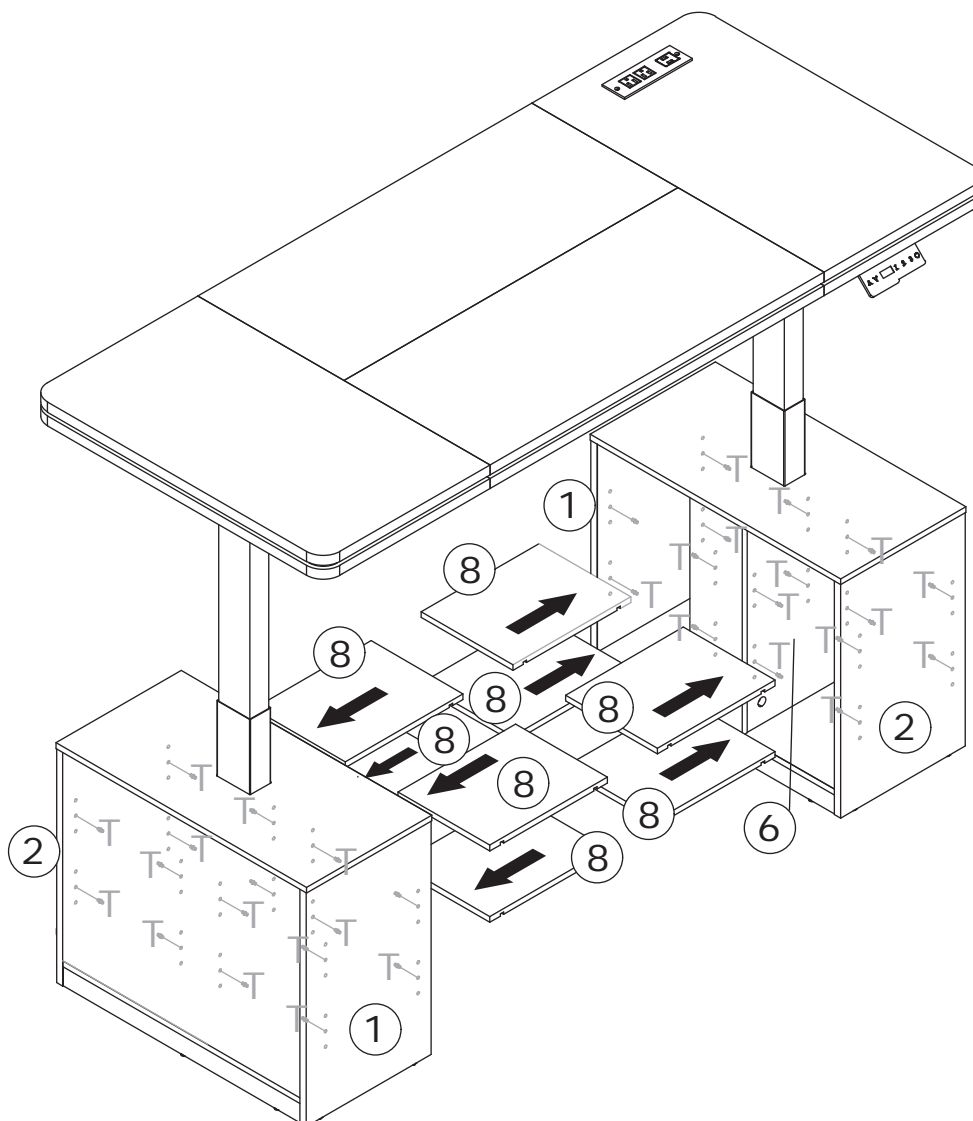


51

T x 32



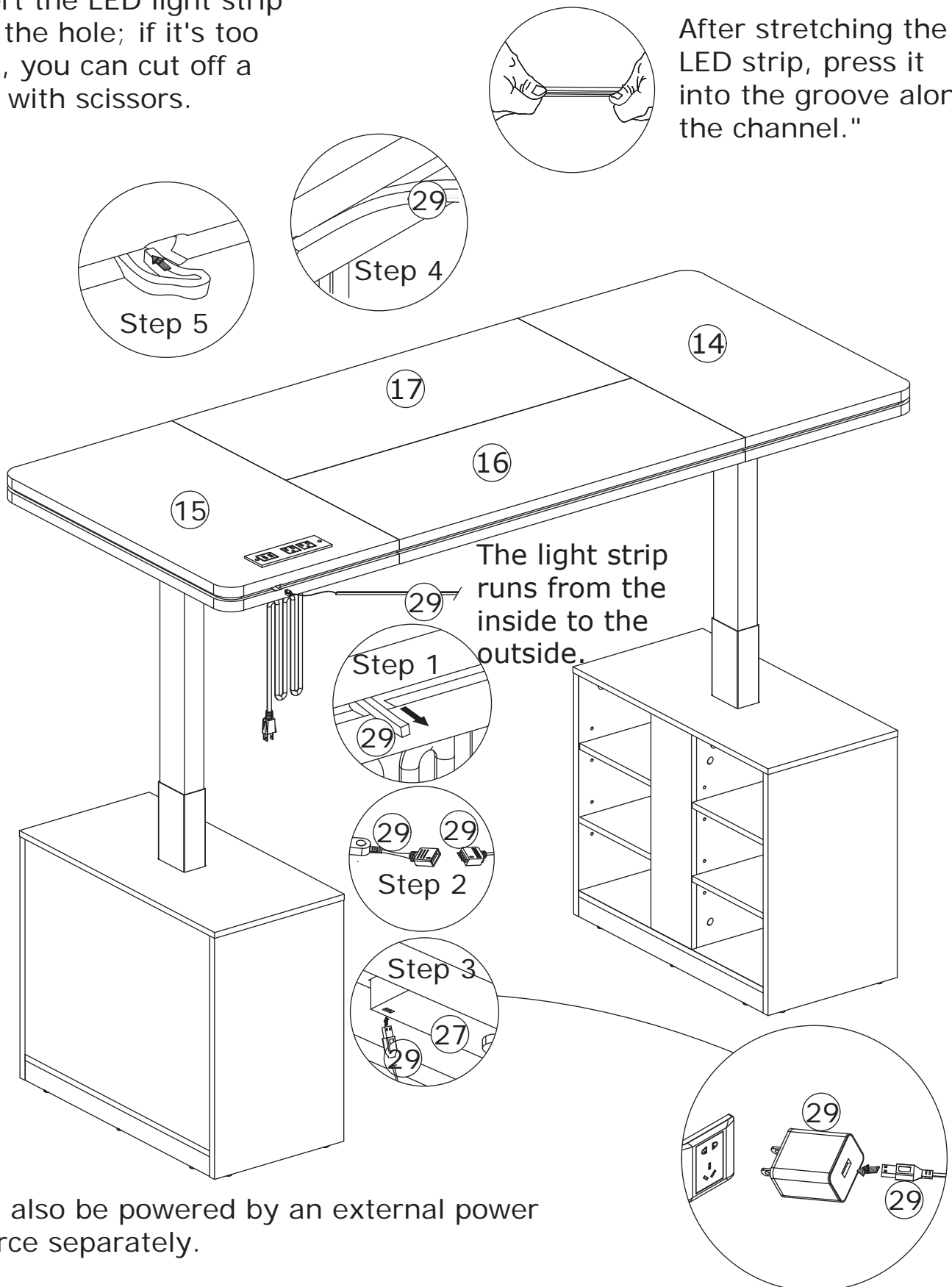
Insert pin (T) onto part 1, 2, 5 and 6, and place part 8 onto.



52

Insert the LED light strip into the hole; if it's too long, you can cut off a part with scissors.

After stretching the LED strip, press it into the groove along the channel."



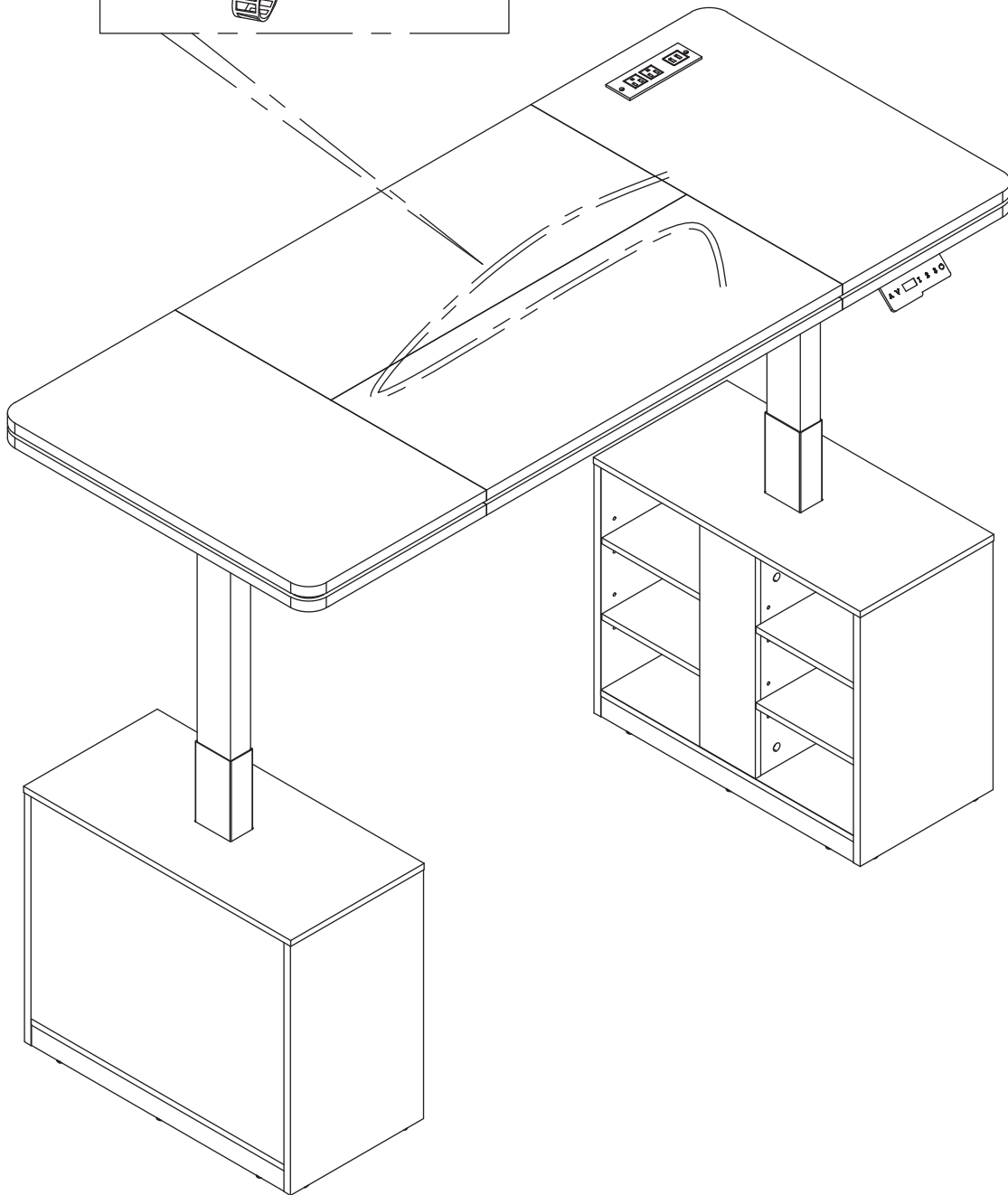
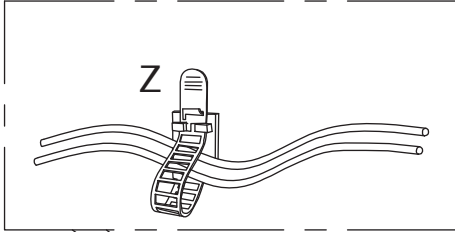
Can also be powered by an external power source separately.

53

R x 3



To be neater, tidy up the messywires.



WARRANTY

WARRANTY CLAIMS

- There is a 30-day warranty for broken furniture or any other problems that do not work properly. The warranty will start from the date of purchase which must be verified by proof of purchase.
- Before making a claim, we may be able to answer your query, simply call us. Please leave your purchase order number, along with some details of the problem, if you want a replacement part. We will arrange within 48 hours. If there is out of stock, we will reply with a shipping date.
- The product must be used in accordance with the instructions provided. For health reasons.
- For other reasons, if the furniture needs to be returned, it must be cleaned and dried and operated within 30 days of receipt.

Type of Warranty Claim

- Failure to follow the furniture instructions will invalidate the warranty. Attention please.
- Does not include damage during installation, but includes damage during transportation.

Scope of responsibility

- Shall not bear any responsibility for misuse or user damage and / or loss of parts during the installation of furniture.
- After using, the damage and scratches of the furniture are not covered by the warranty.

The Warranty Relates to All Bought in The Us and Covers The Following Areas

- Sheet parts: 1 month from the date of purchase.
- Electrical parts: 1 month from the date of purchase.

RETURNS

CHANGED YOUR MIND AND NEED TO RETURN YOU ITEM?

PLEASE FOLLOW THE BELOW INSTRUCTIONS:

- If you have purchased and have simply changed your mind, follow the retailer's instructions for returns.

DEFECTIVE ITEMS

- If your item is defective in any way, i.e. it doesn't work but you can't identify why, in the first instance, please call us.

DAMAGED ITEMS

- If you receive an order with obvious shipping damage from the retailer, then we suggest the delivery is refused. If the delivery has been accepted and then shipping damage is found, please follow the specific instructions advised by the retailer.
In all circumstances please save all packaging material and paperwork for the order. Please be aware that if you dispose of packaging material or attempt to return the merchandise without contacting the fulfiller, you jeopardise your chances of making a claim, and you may not receive a credit for the return.