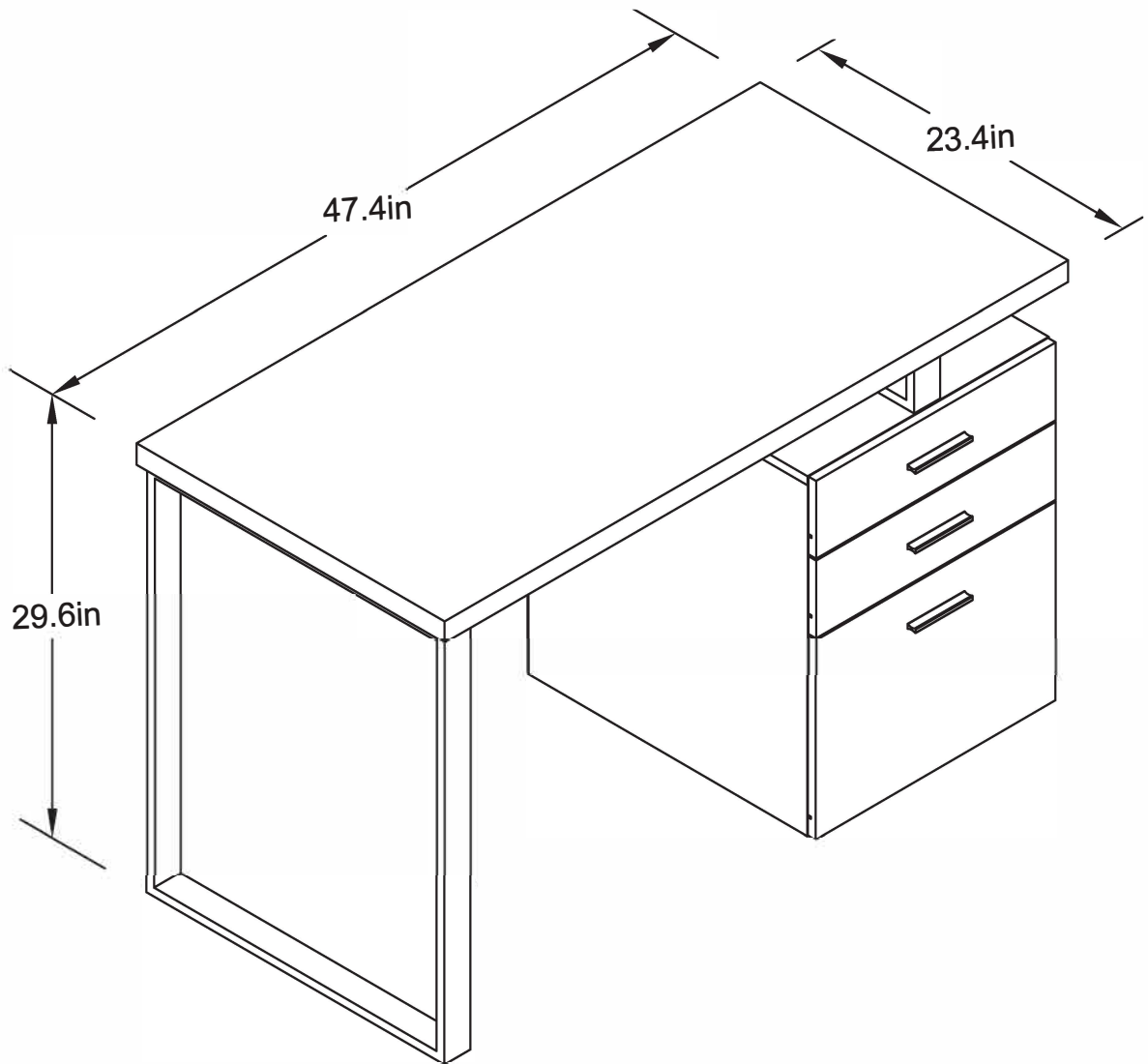


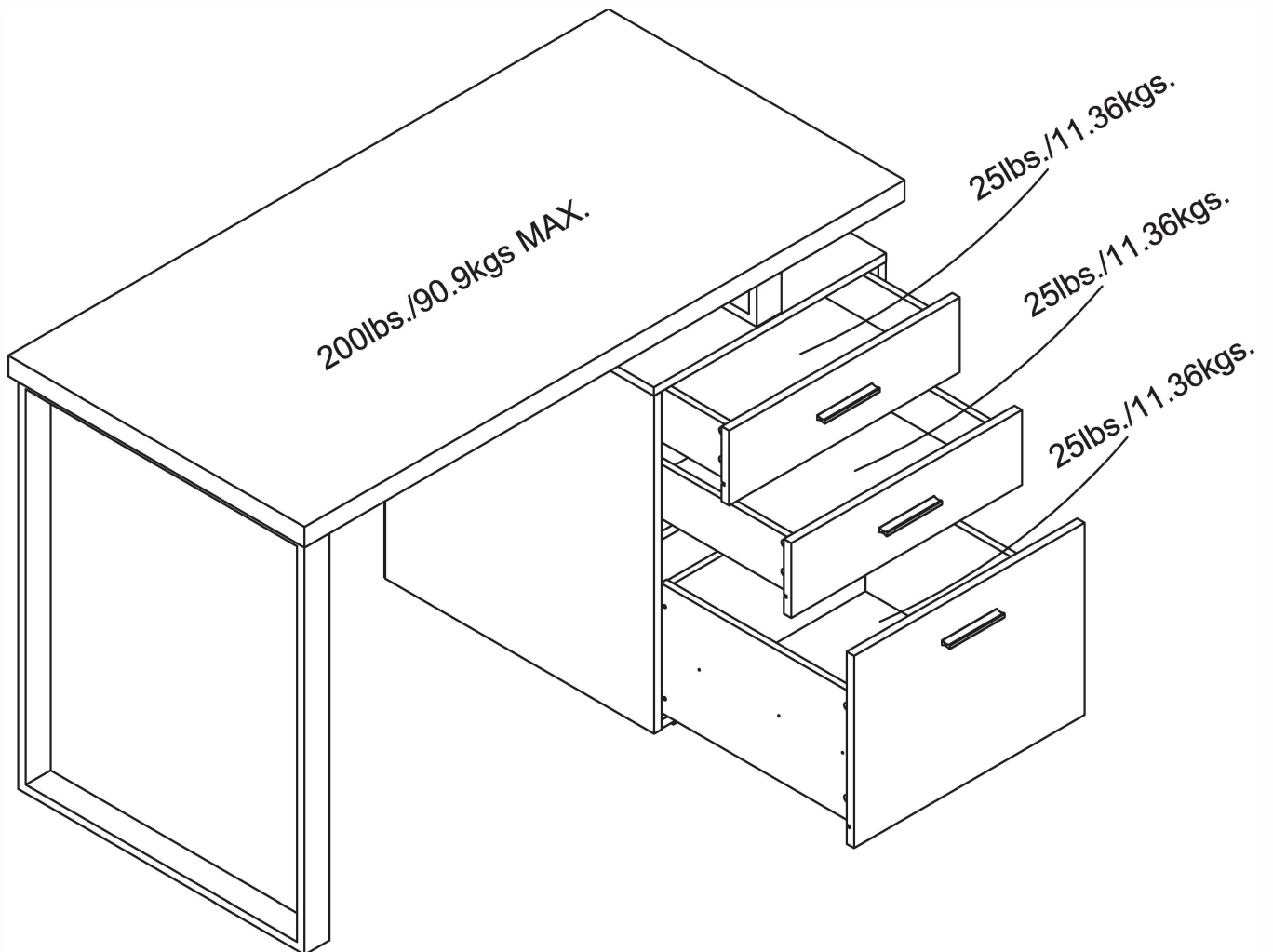
Table of Contents

Dimensions.....	3
Weight Capacity.....	4
Package Contents.....	5
Hardware Contents.....	6
Assembly Instruction.....	7-23

Dimensions



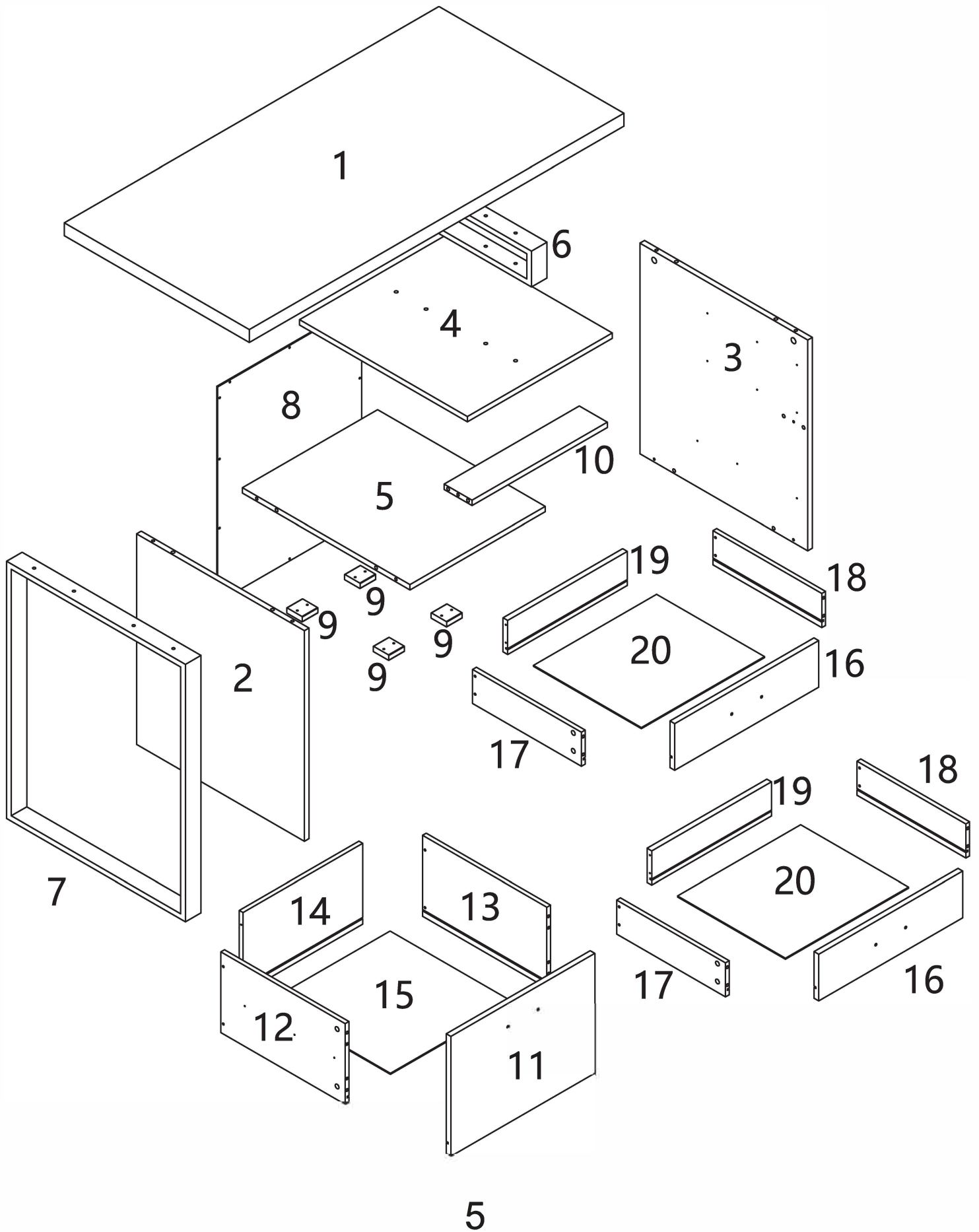
Weight Capacity








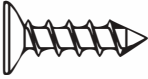

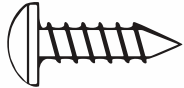


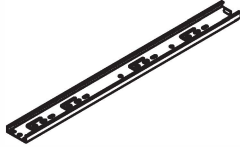

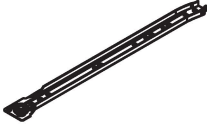






WARNING:

For use with most flat-panel televisions weighing 43.2kgs/95lbs or less.
Usage with televisions or loads heavier than the maximum weights specified may result in instability causing tip over resulting in death or serious injury.

Package contents

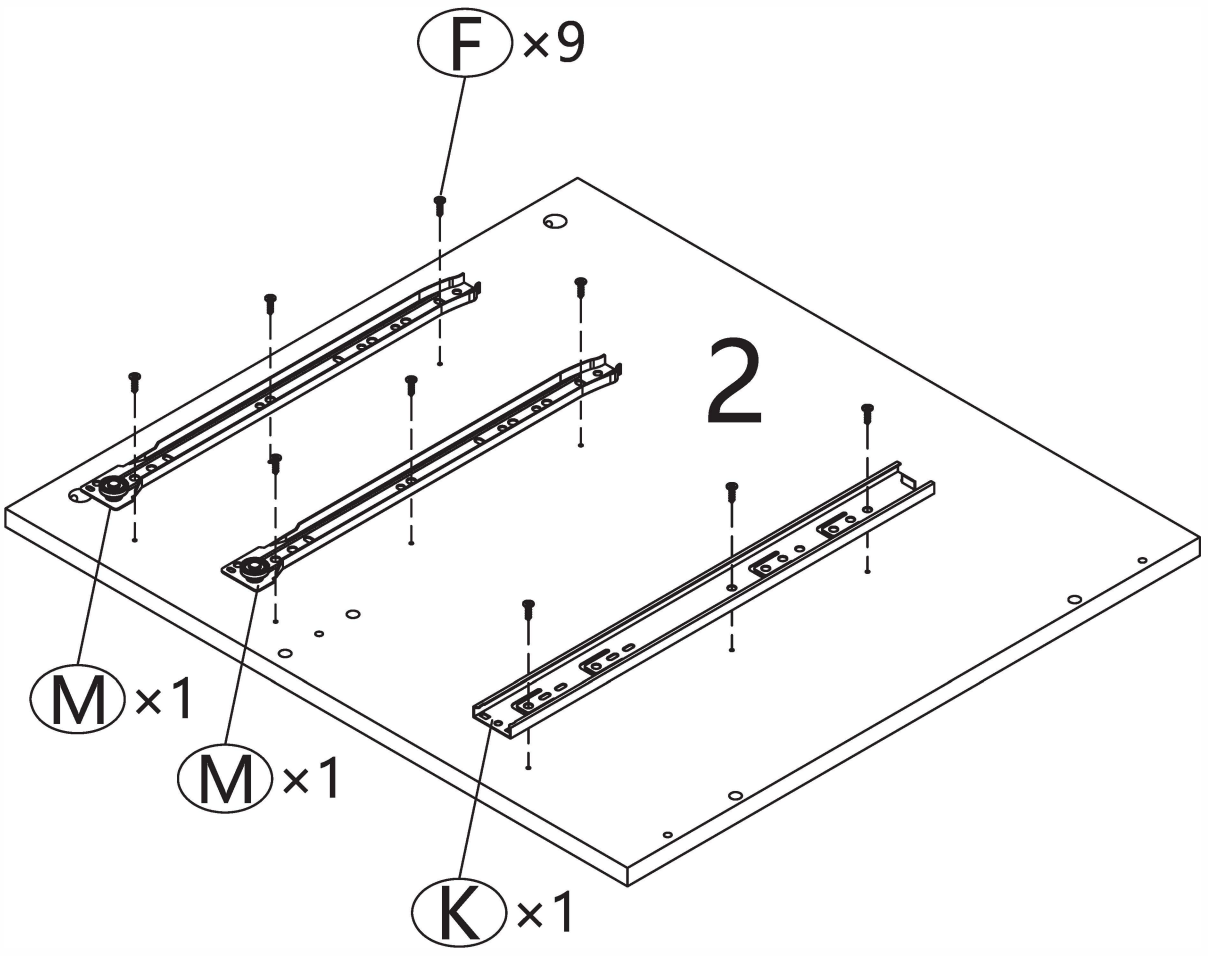
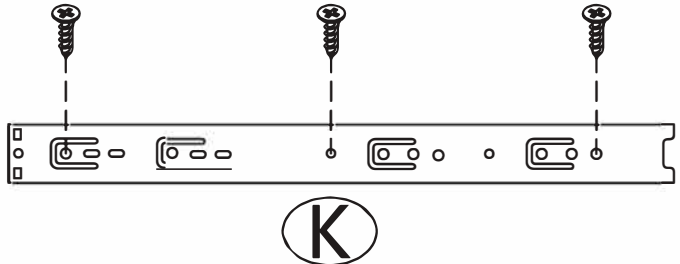
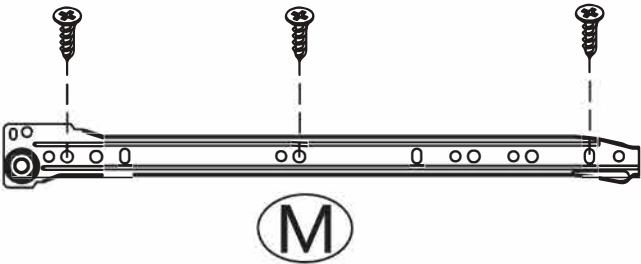


Hardware contents

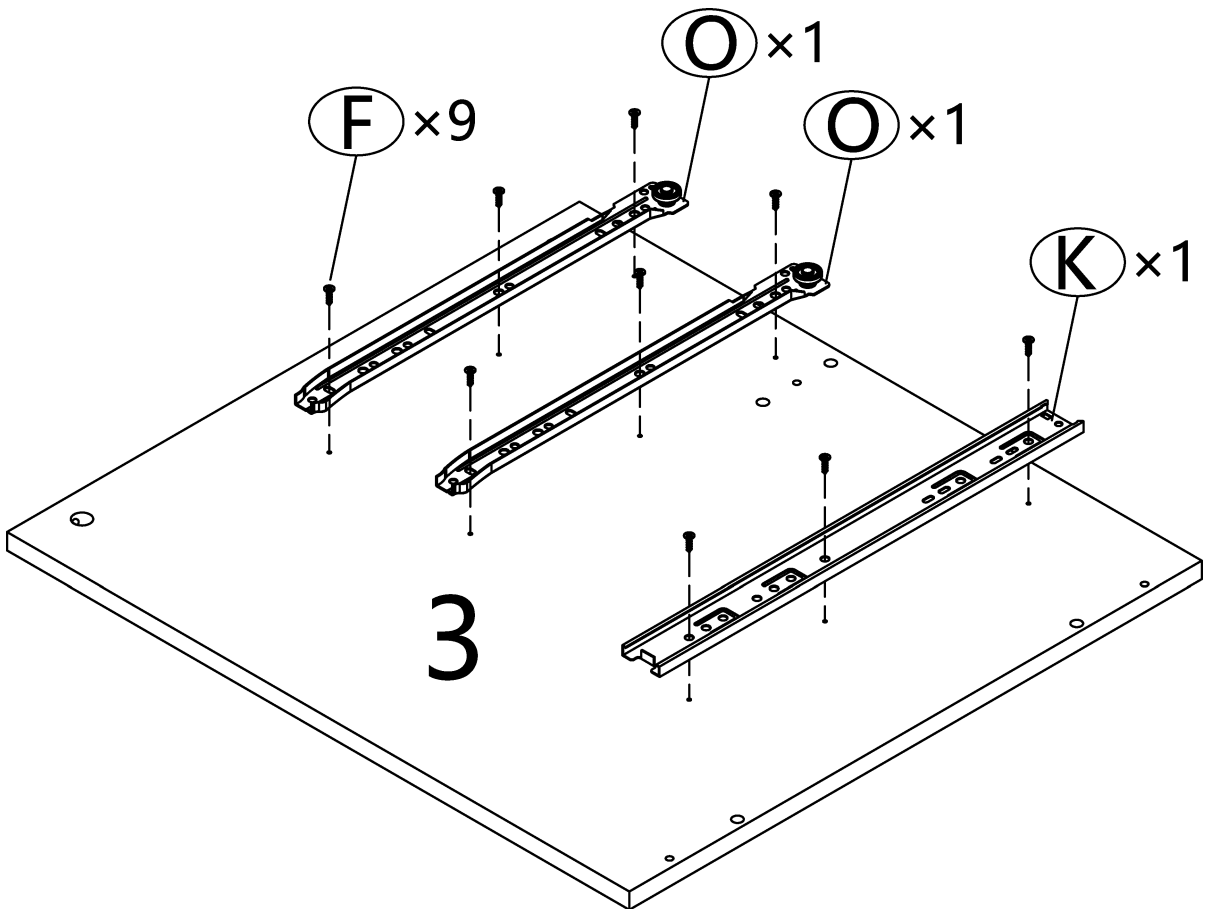
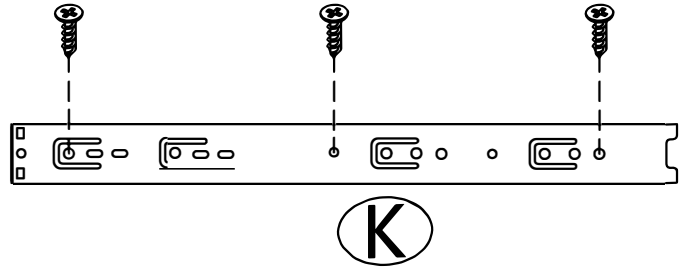
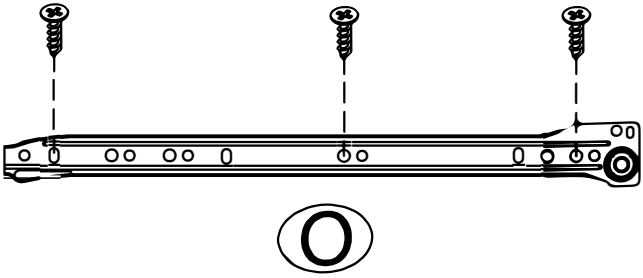
<p>A ×10+1extra</p>  <p>CAM LOCK</p>	<p>B ×12+1extra</p>  <p>CAM LOCK</p>	<p>C ×22+2extra</p>  <p>CAM BOLT</p>	<p>D ×12+1extra</p>  <p>WOOD DOWEL</p>
<p>E ×4</p>  <p>WOOD DOWEL</p>	<p>F ×36+6extra</p>  <p>SCREW</p>	<p>G ×14+4extra</p>  <p>SCREW</p>	<p>H ×8+2extra</p>  <p>SCREW</p>
<p>I ×12+3extra</p>  <p>SCREW</p>	<p>J ×12+1extra</p>  <p>BOLT</p>	<p>K ×2</p>  <p>SLIDE</p>	<p>L ×2</p>  <p>SLIDE</p>
<p>M ×2</p>  <p>LEFT SLIDE</p>	<p>N ×2</p>  <p>LEFT SLIDE</p>	<p>O ×2</p>  <p>RIGHT SLIDE</p>	<p>P ×2</p>  <p>RIGHT SLIDE</p>
<p>Q ×6</p>  <p>BOLT</p>	<p>R ×3</p>  <p>HANDLE</p>	<p>S ×1</p>  <p>HEX KEY</p>	

Assembly Instructions

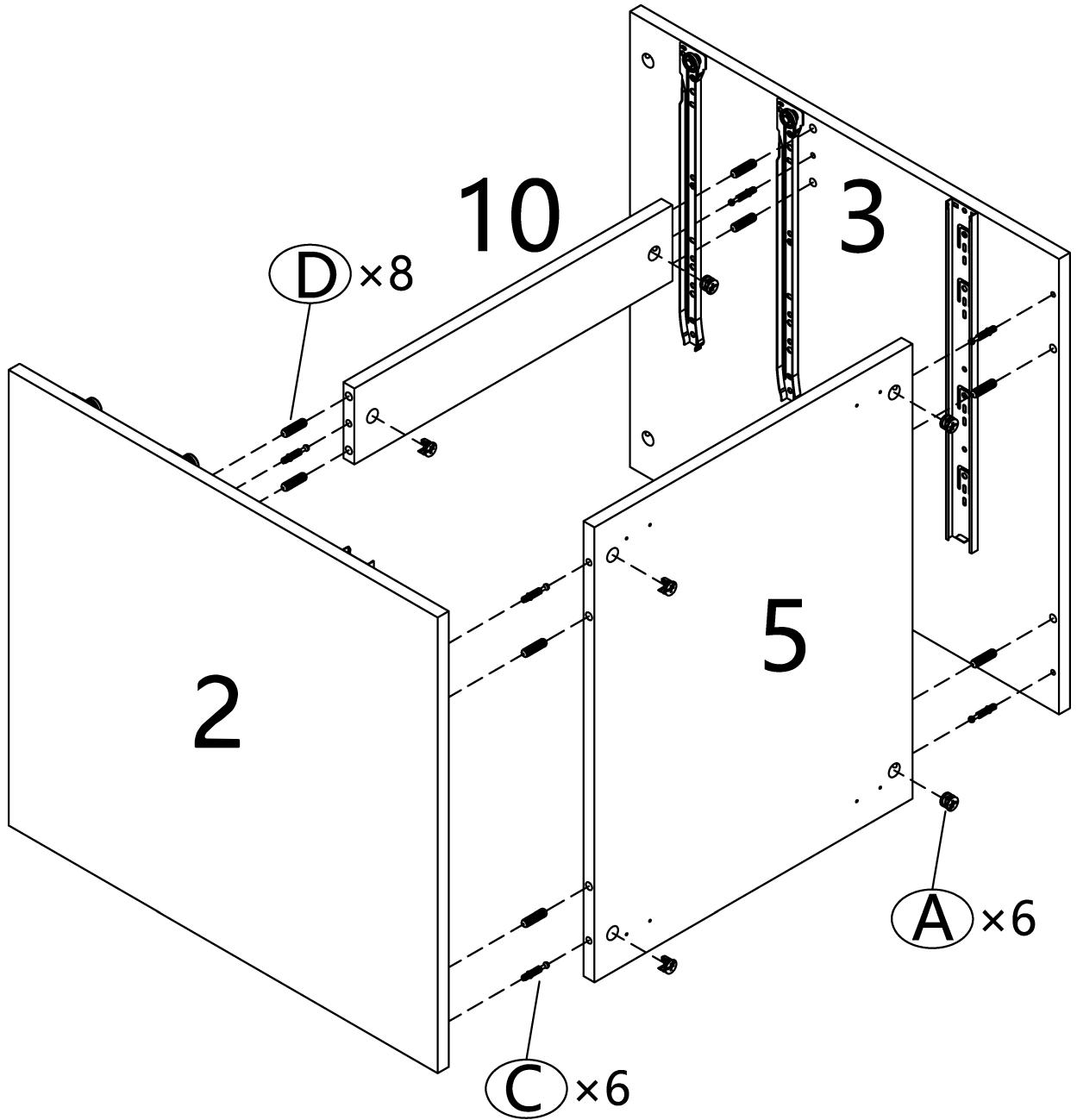
1



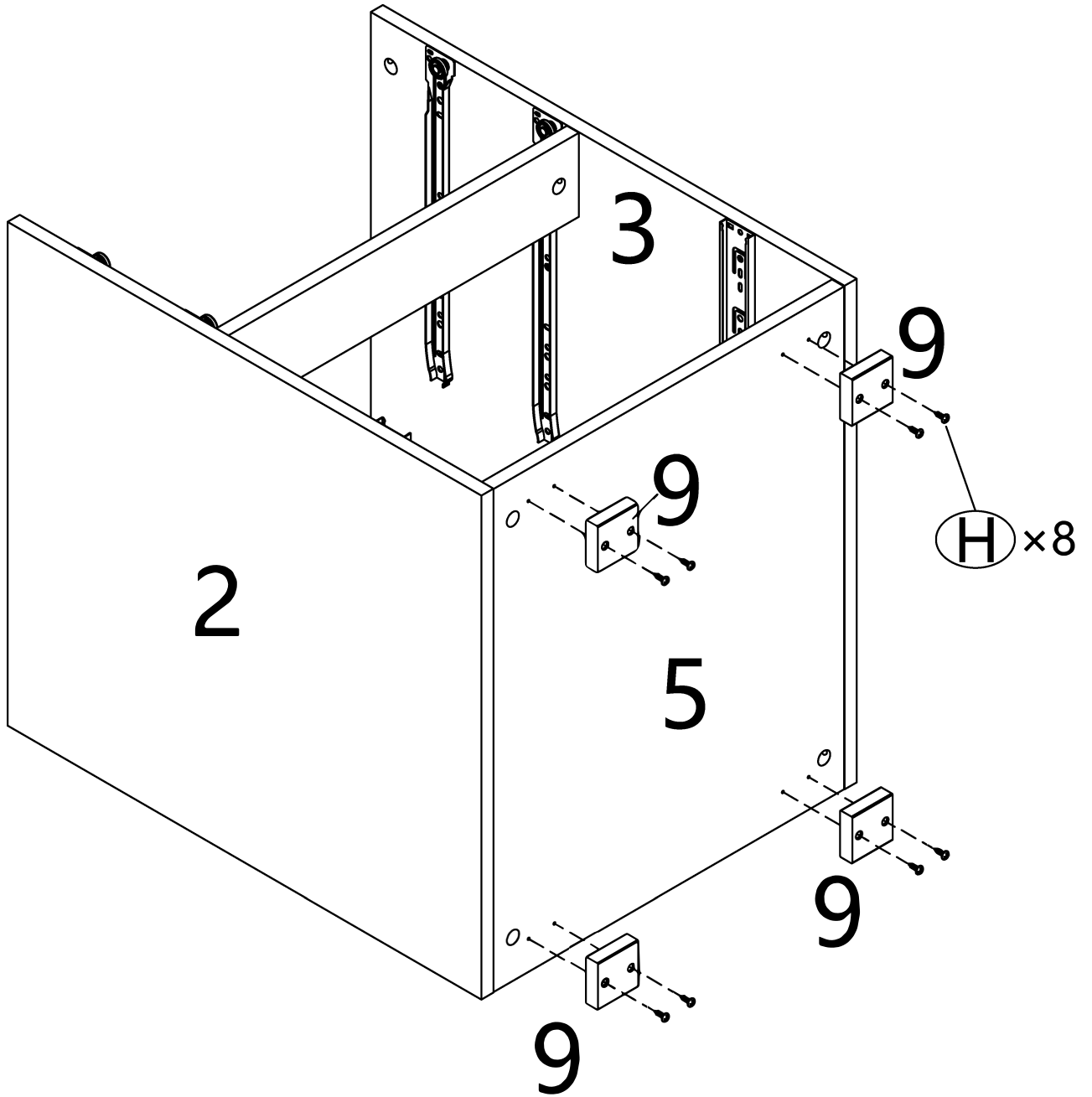
2



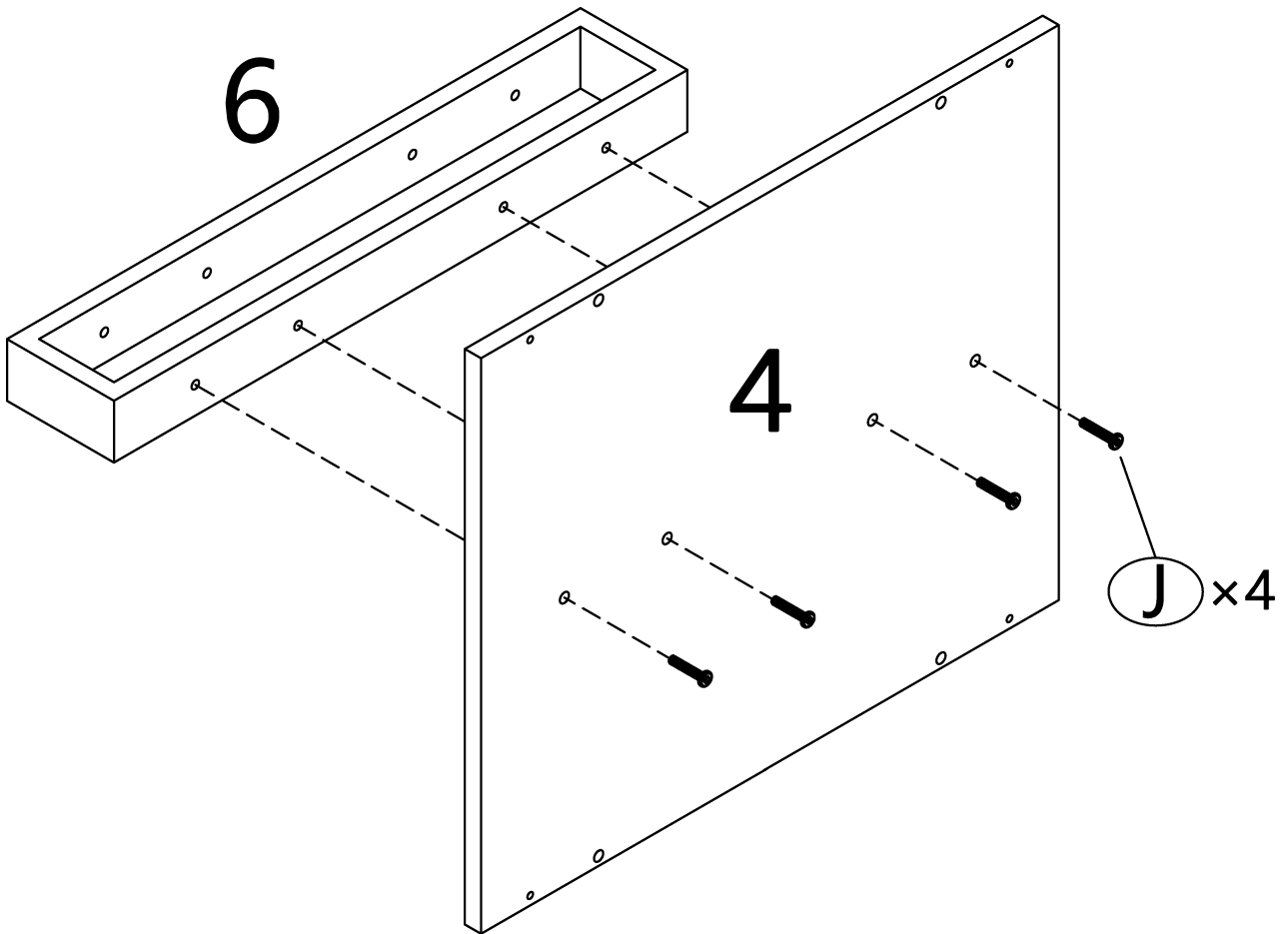
3



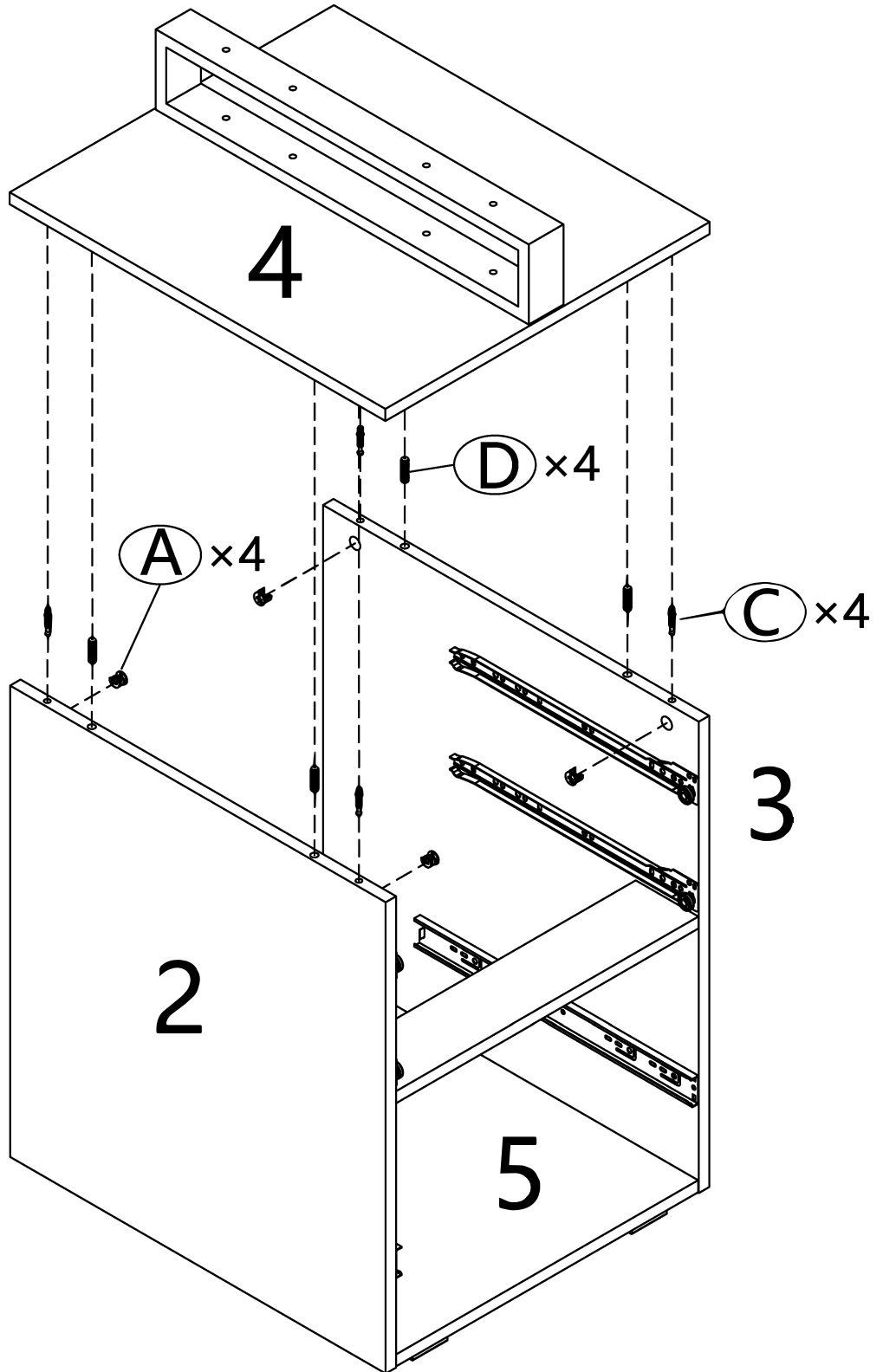
4



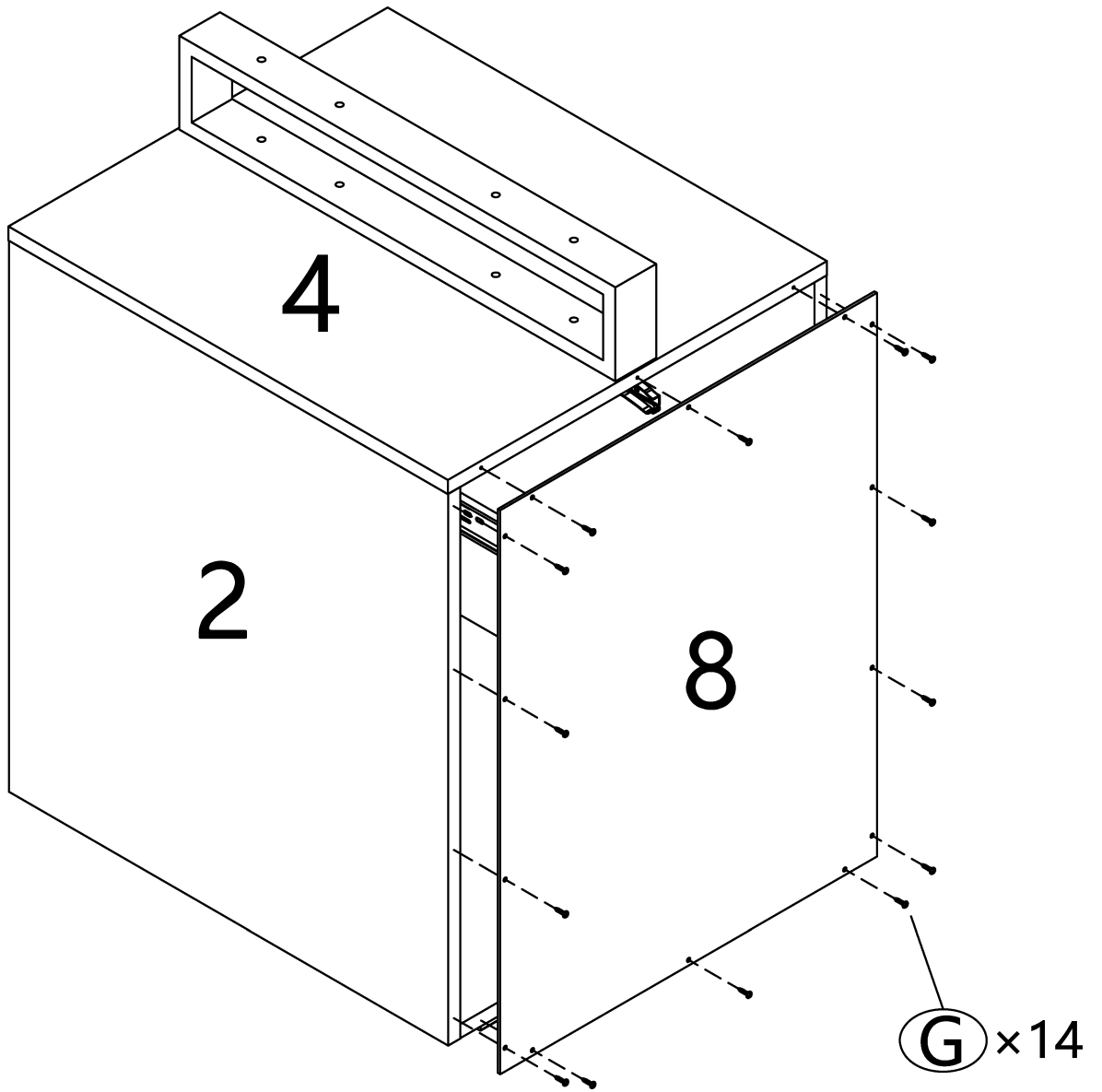
5



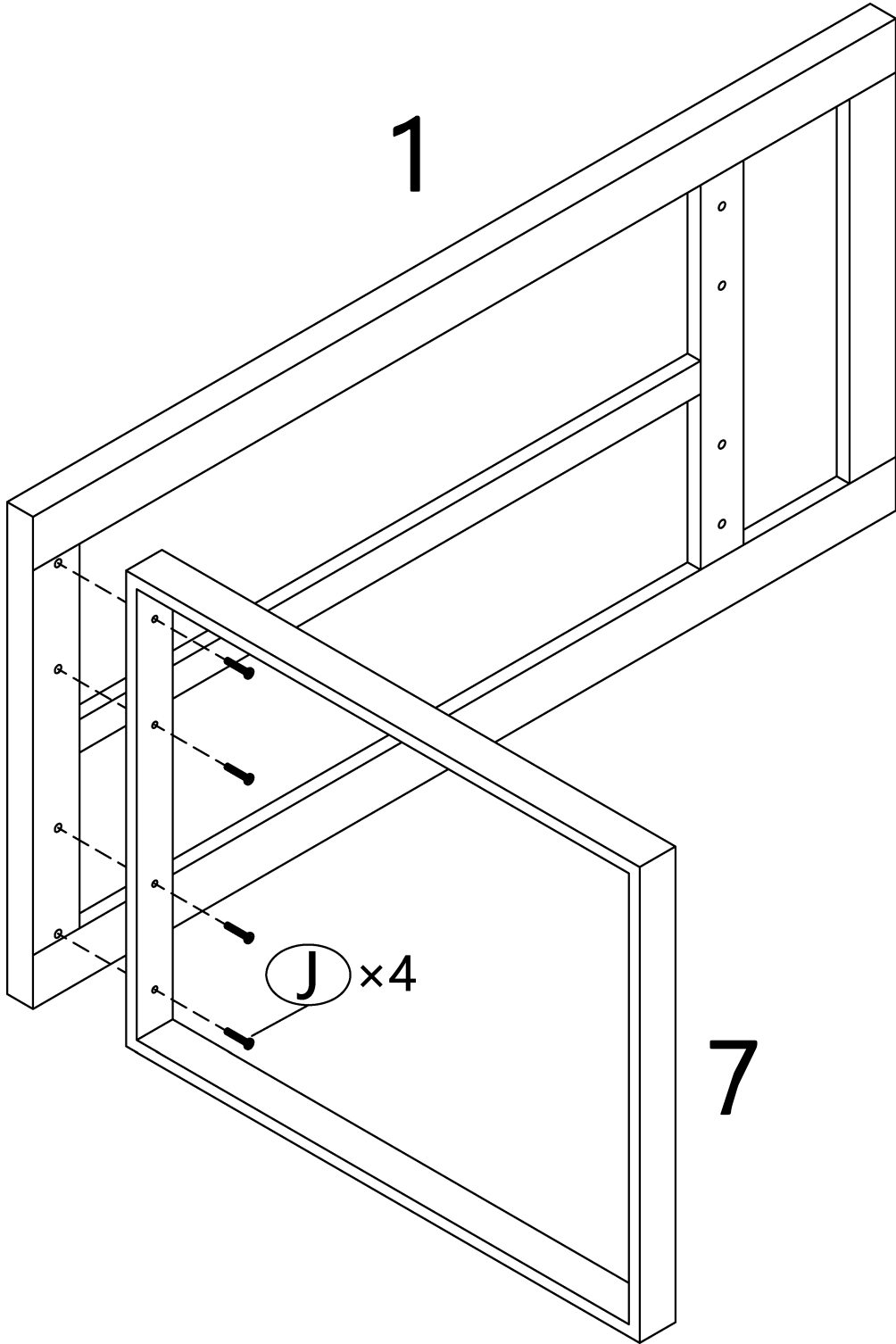
6



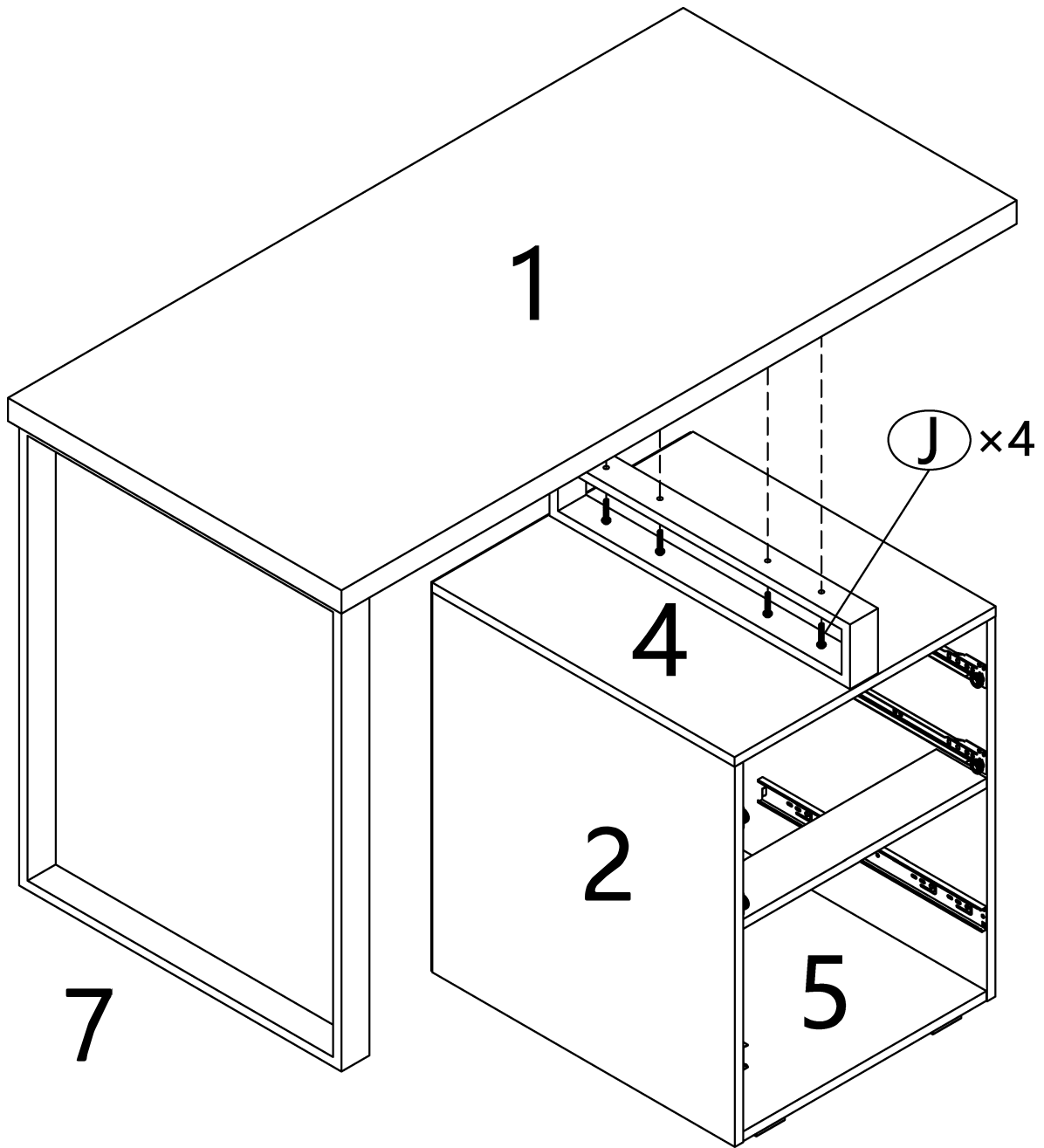
7



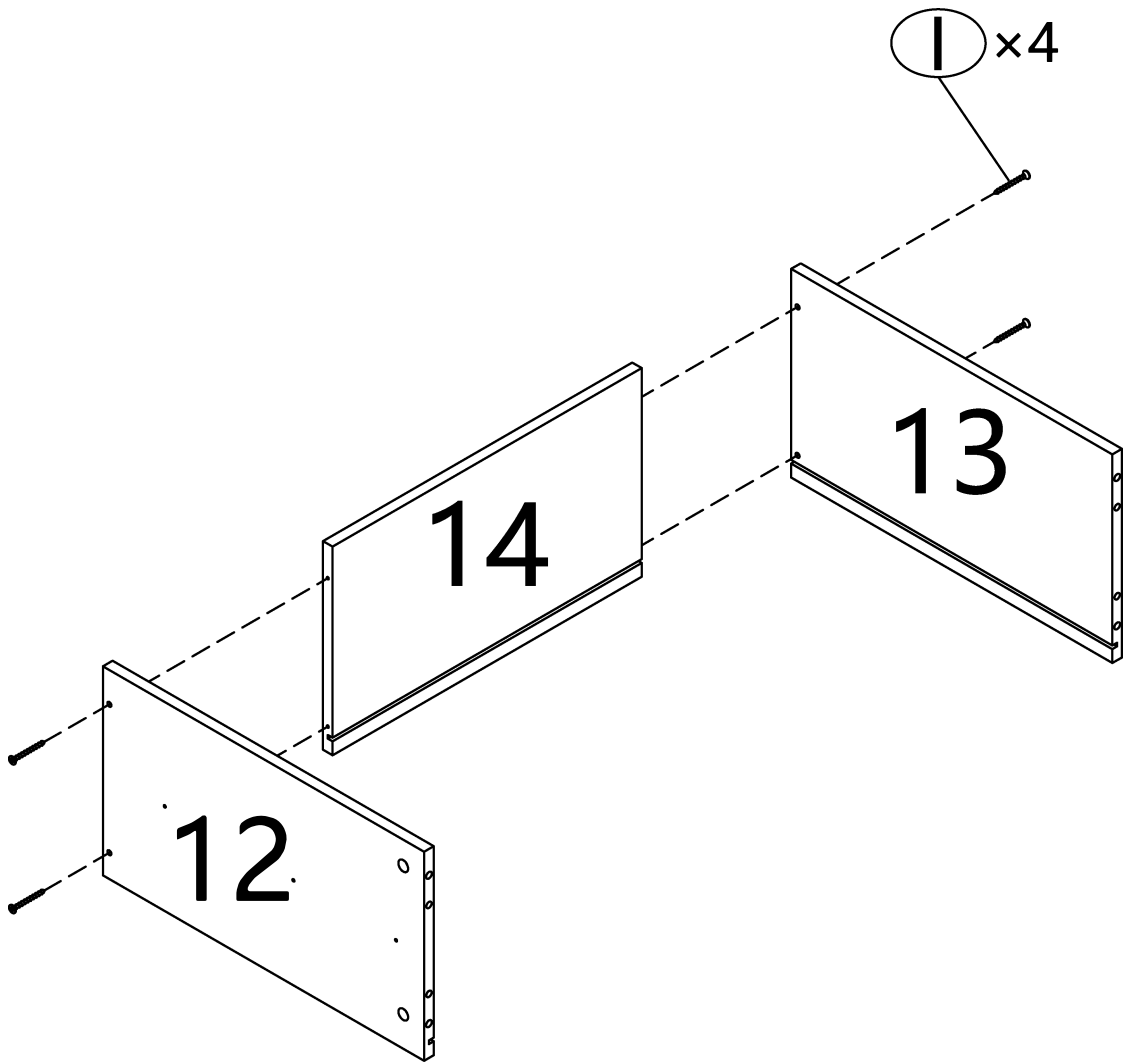
8



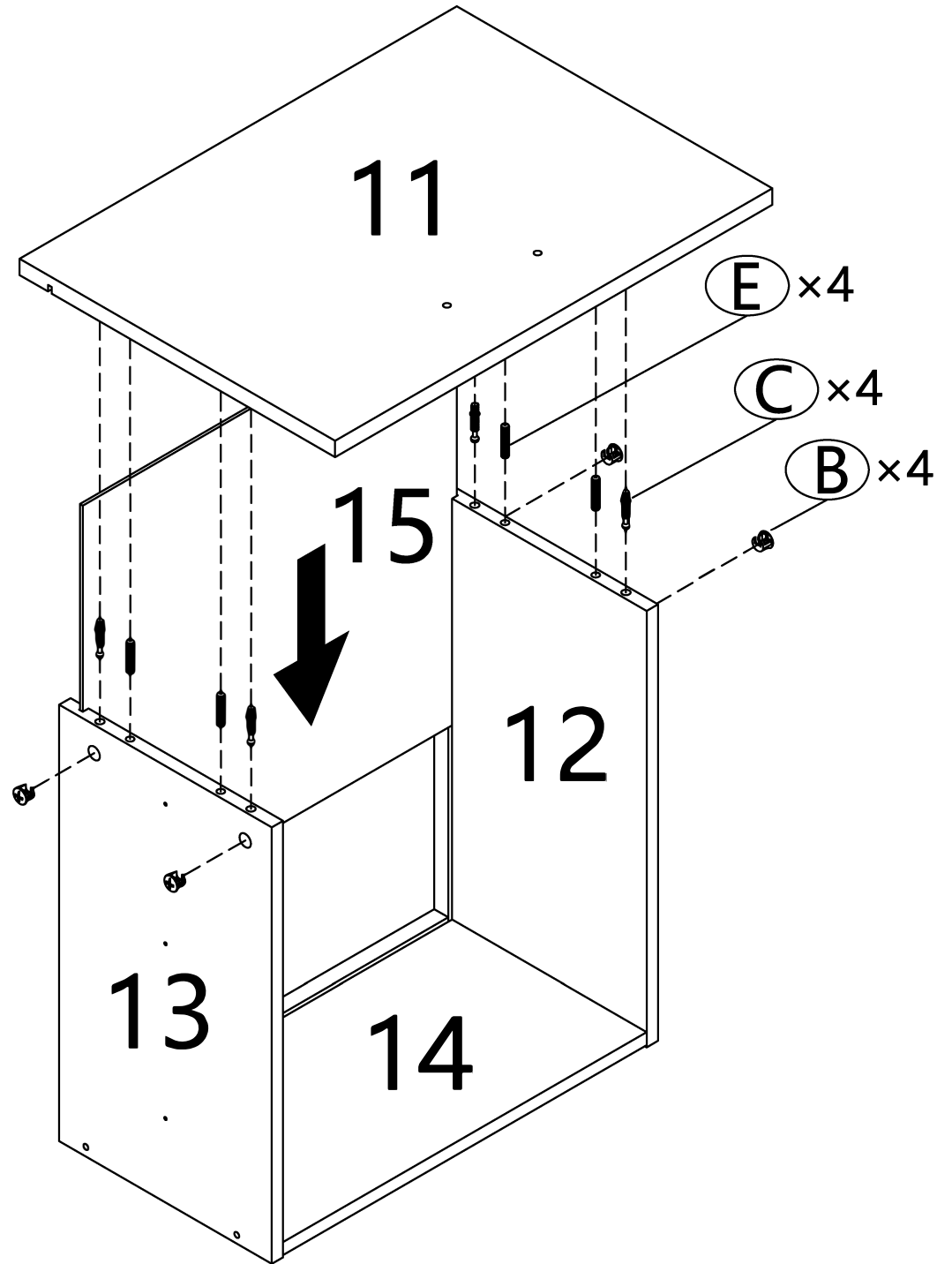
9



10

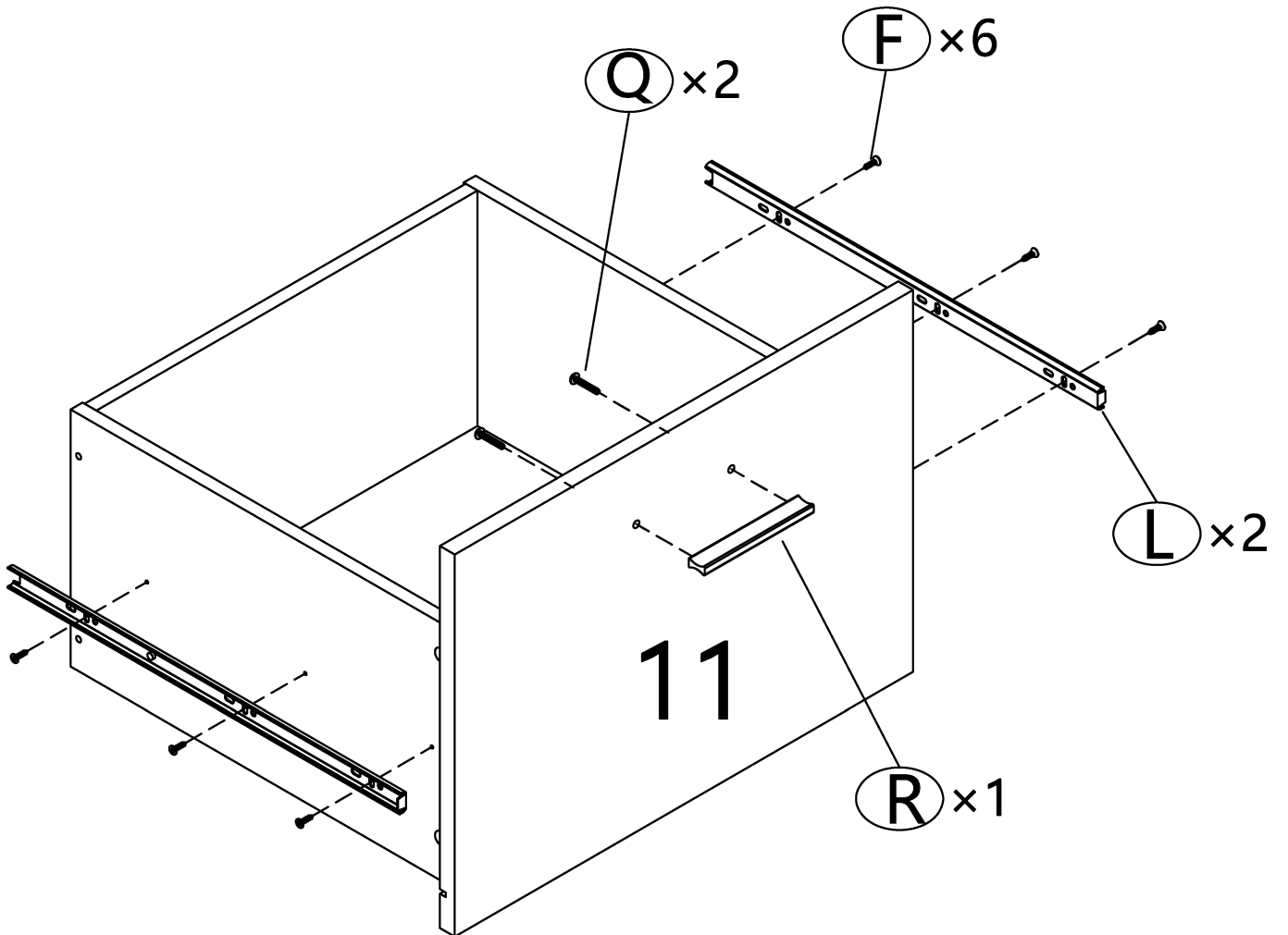
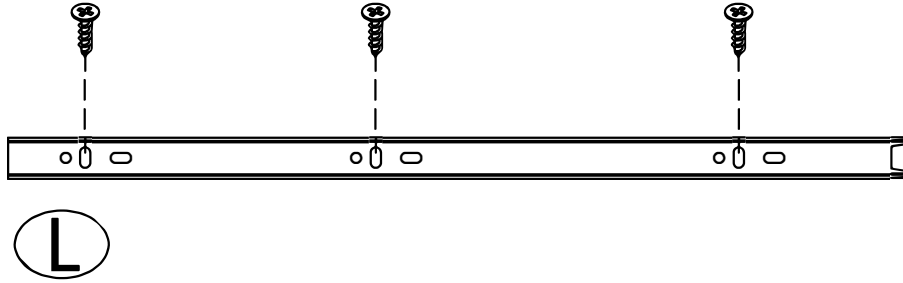


11

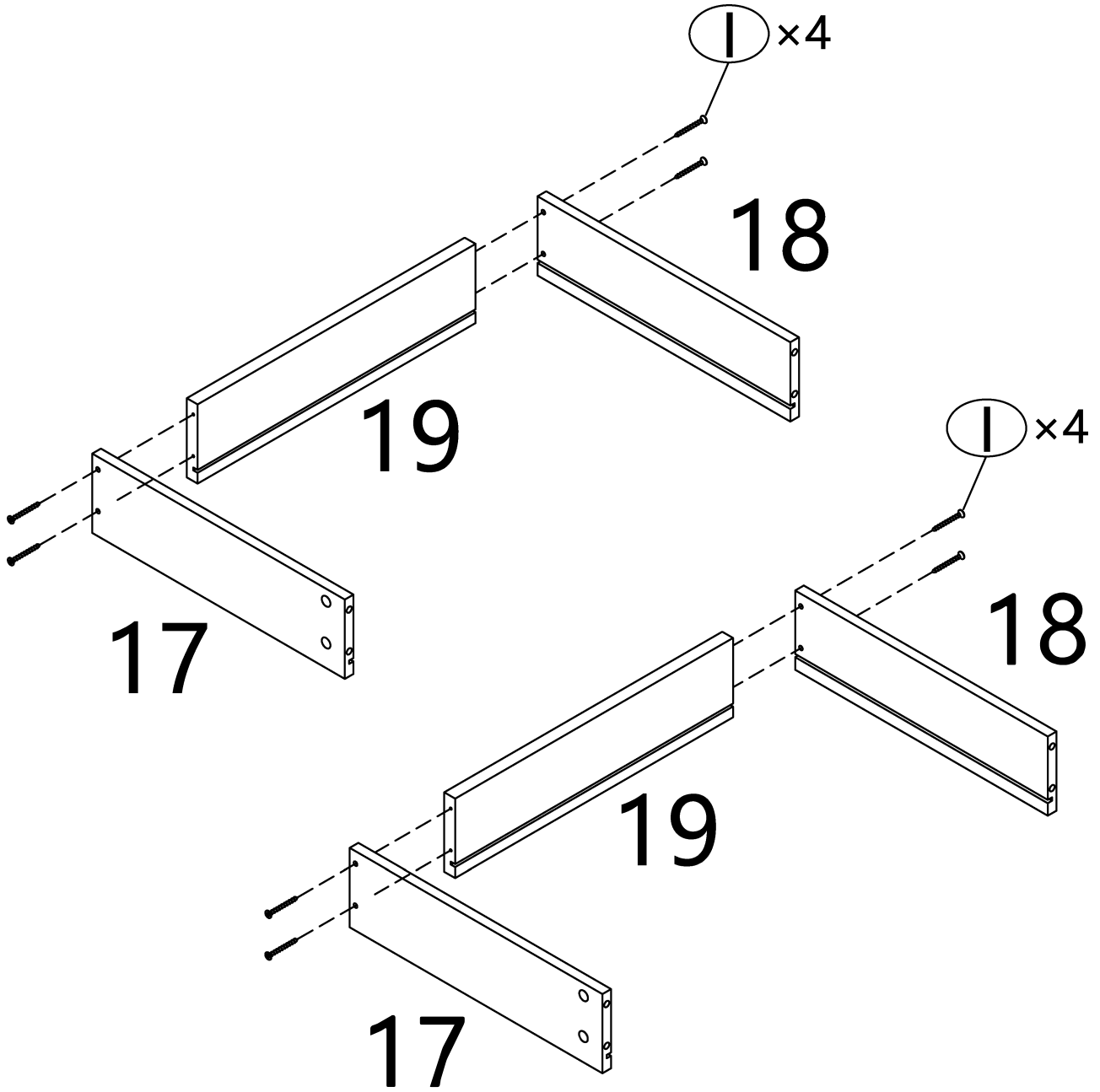


Imported by Festival Trading Inc.

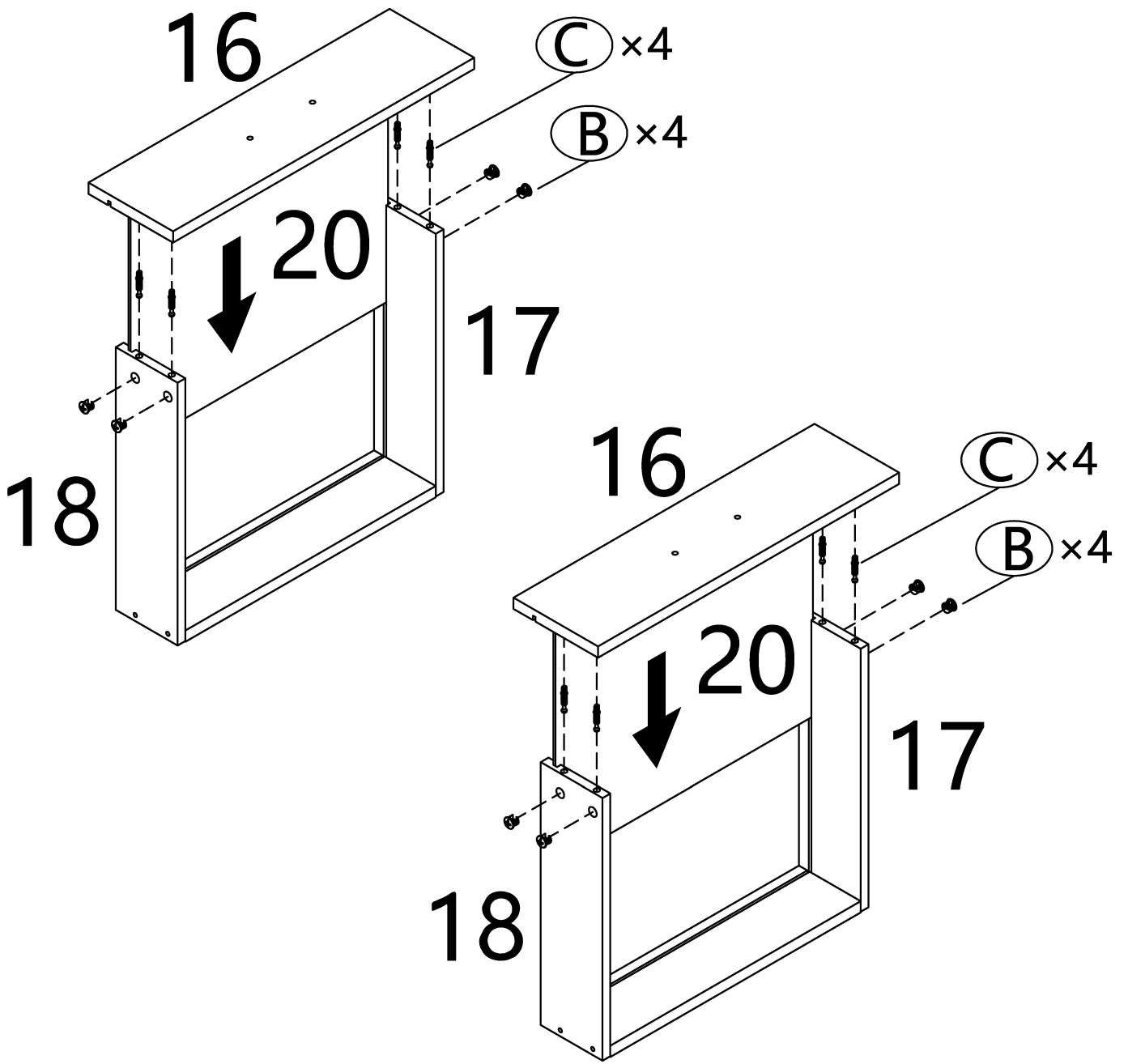
12



13

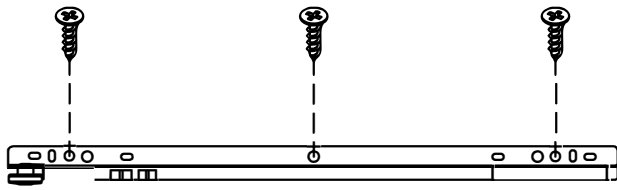


14

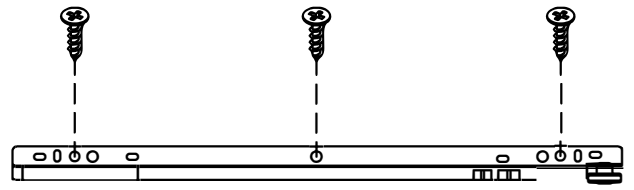


20

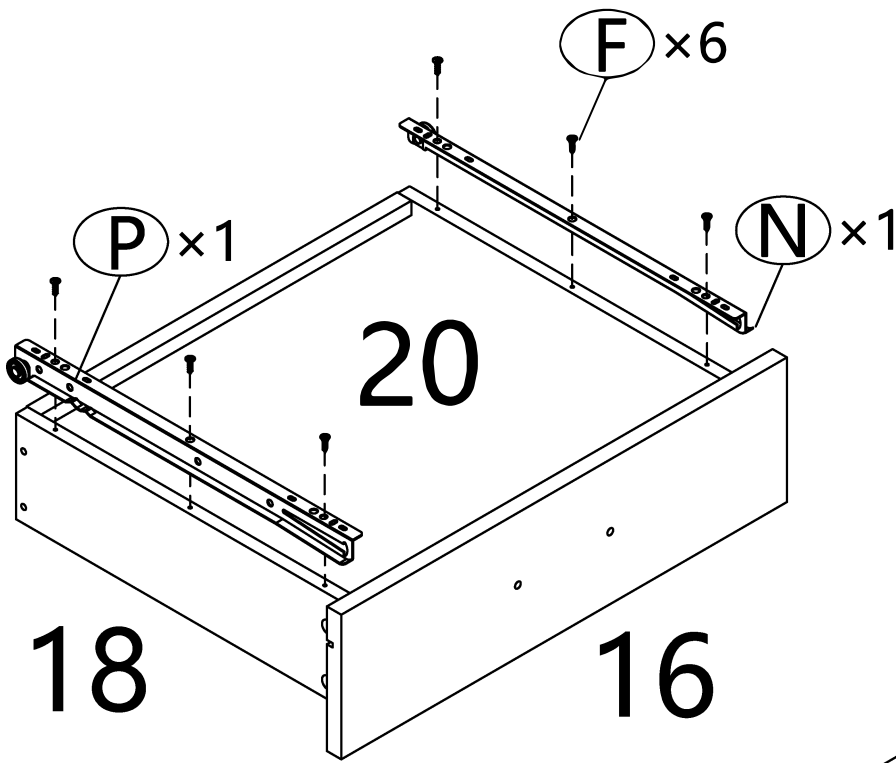
15



N



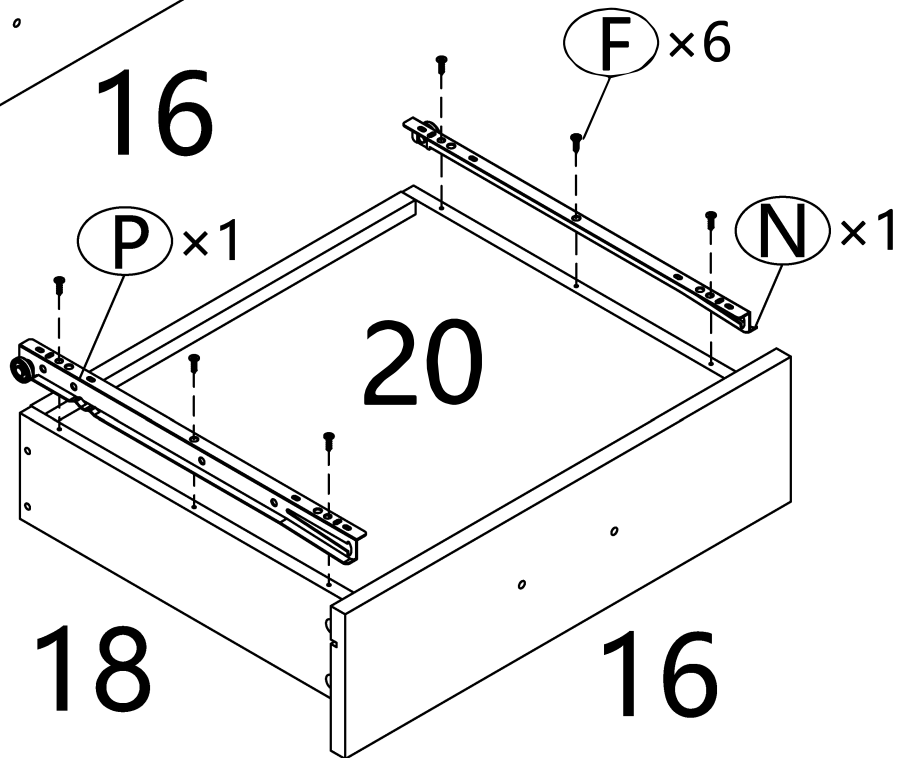
P



18

20

16

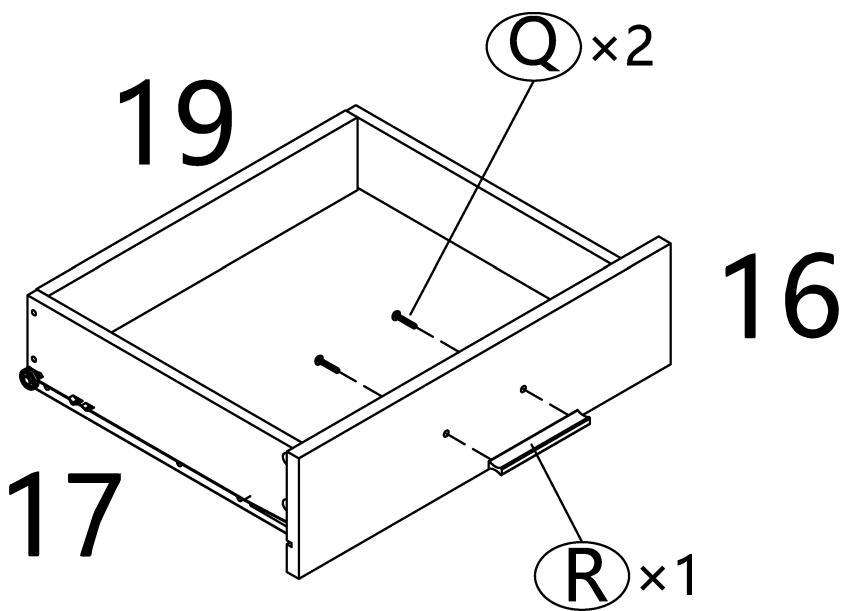
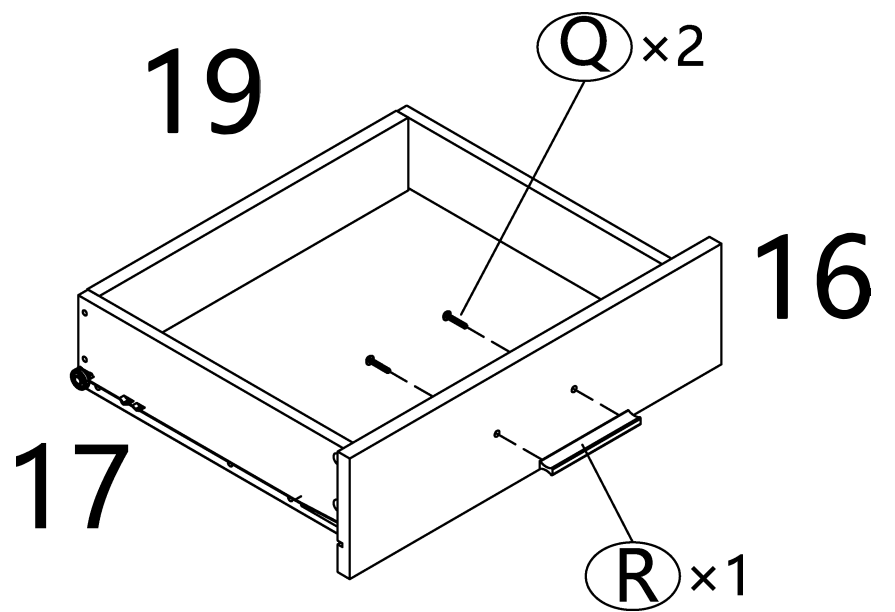


18

20

16

16



17

