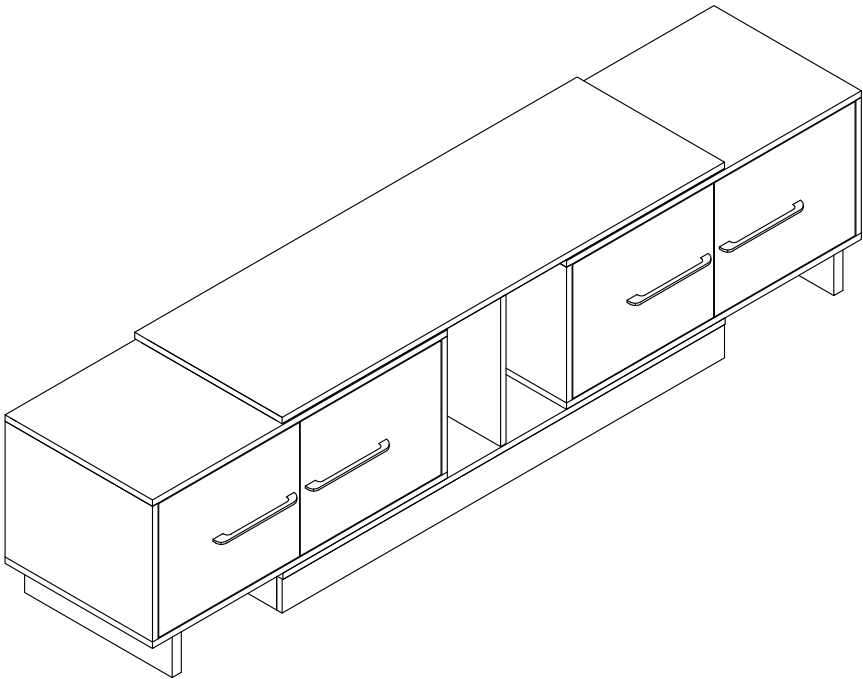


Instruction Book

For specification: 190-260cm(L)x40cm(W)x46cm(H)

2509 instruction manual



Please don't tighten the screws completely and go back later for a final tightening of all the screws after pieces are aligned with each other. If you have any question, please feel free to contact us by Amazon email

Foreword:

Thank you for choosing our product! We hope you have a good shopping experience! We aim to provide a 100% satisfaction product and customer service. If the received product has missing parts or components, arrived damaged, dissatisfaction with the order, or has questions about the assemble, please do not hesitate to contact us. Our customer service will reply within 12 hours.

Specifications:

Product name: Freestanding Armoire Wardrobe Closet

Model: 2509

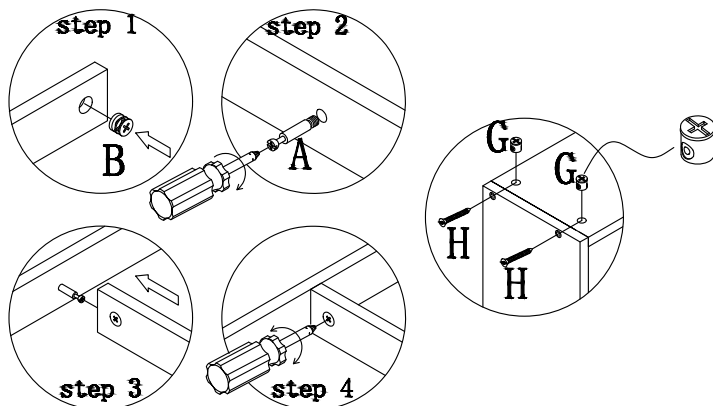
Package Dimension: 50.8x18.9x10.2in/129*48*26cm

Product Size:

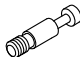

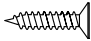





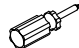
74.8-102.3x15.8x1801in/190-260x40x46cm

Weight: 84lb/38KG

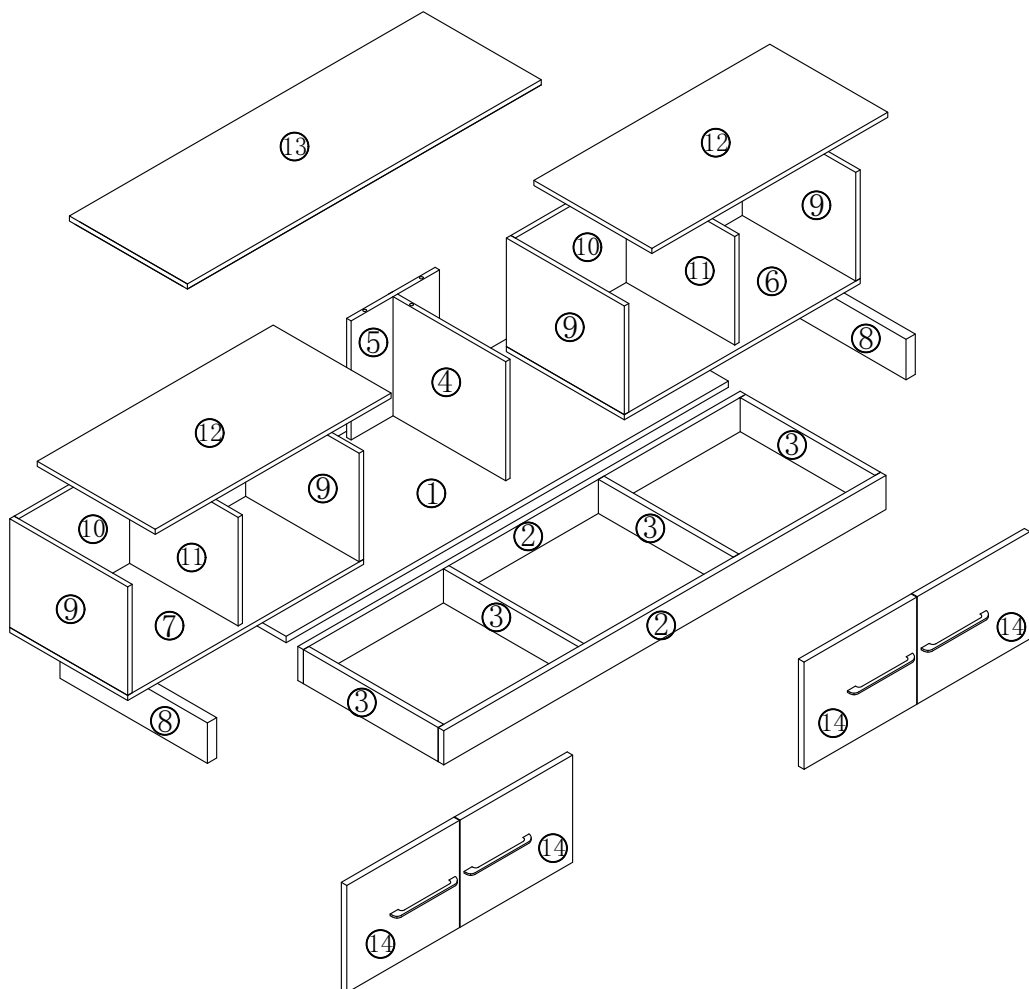
2509 Left cabinet A, B, G, H, C, D installation guide



Accessories

 Three-in-one screw A*76	 Three-in-one nut B*76	 Small Screw D*50	 Handle E*4	 Handle Screw F*8	 Small Screw G*6
 Stool foot nail M*12	 Door hinges K*8	 screwdriver Z*1			

2509

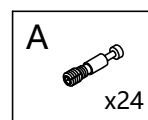
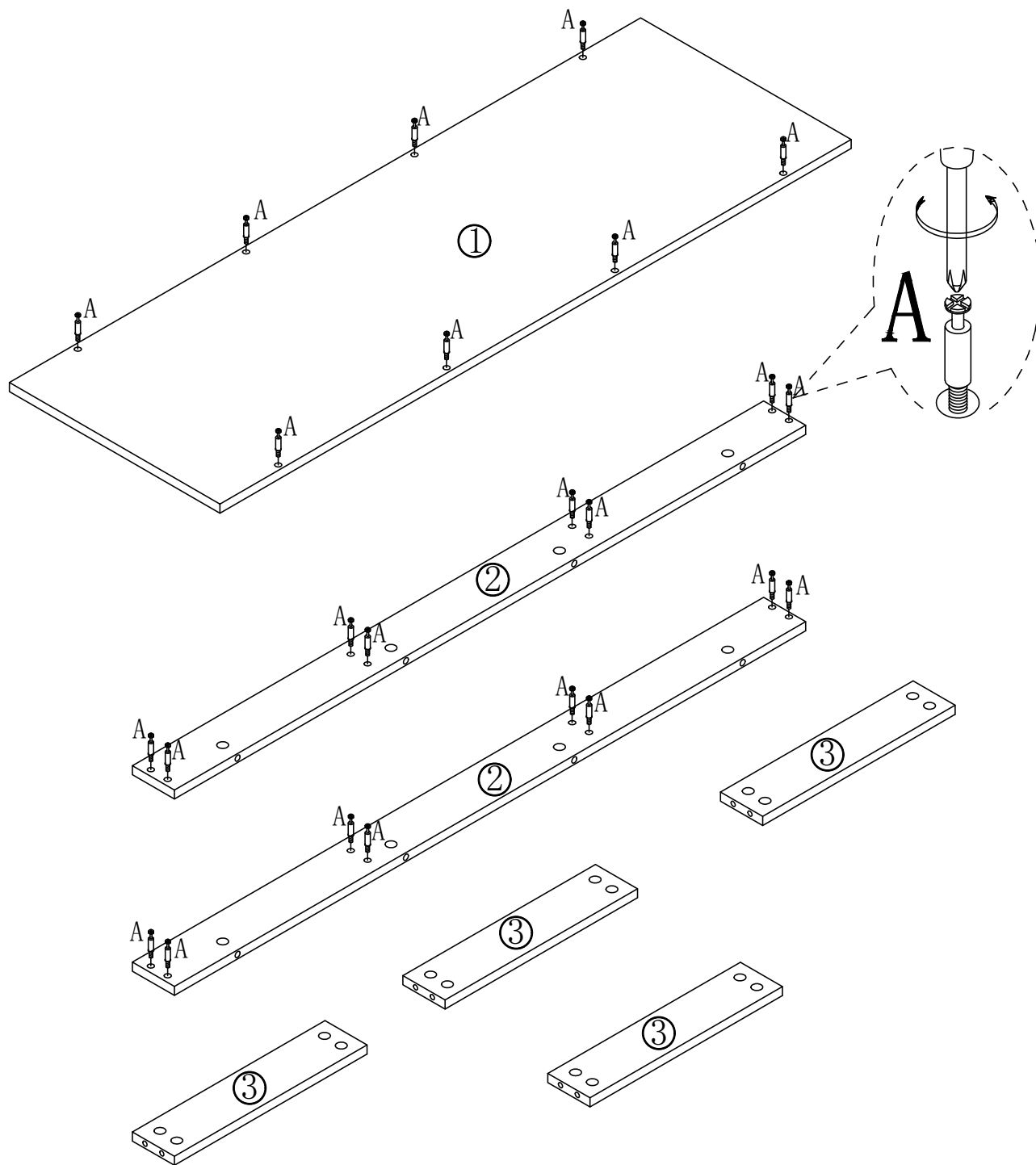


Guidelines for the use of 3-in-1 connecting rods:

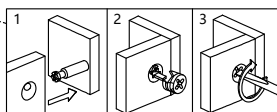
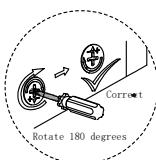
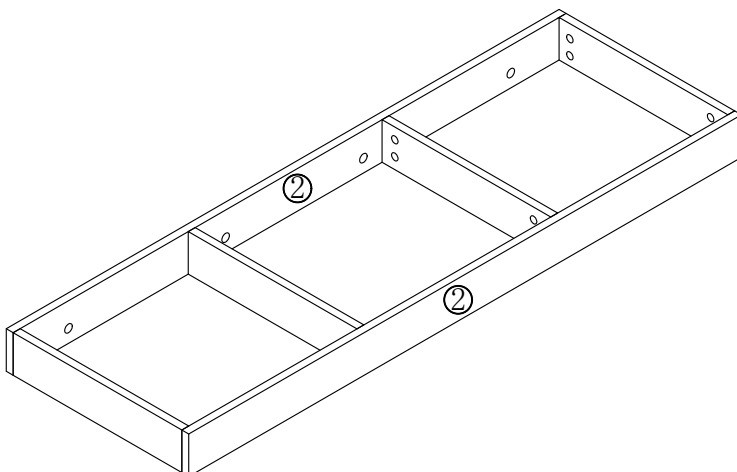
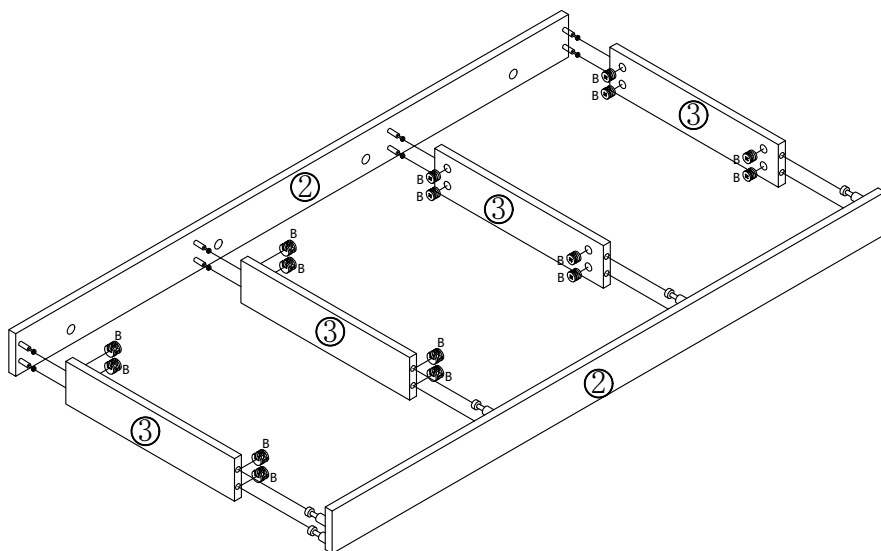
The blue screw cap at the bottom of the 3-in-1 connecting rod is twist-able, and it can be twisted clockwise or counterclockwise to fit the size of the reserved holes in the wooden board.

When you use this 3-in-1 connecting rod, if you find that it can't be inserted into the reserved holes on the wooden board, just loosen the blue screw cap a bit until it fits into the holes of the board. Then use a screwdriver to tighten the screws. Note: If the bottom blue screw cap is not stretched apart by the three-in-one connecting rod in the reserved hole, the connected part will appear unstable .

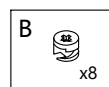
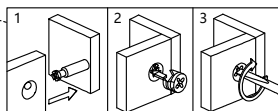
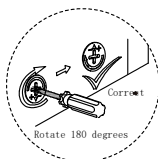
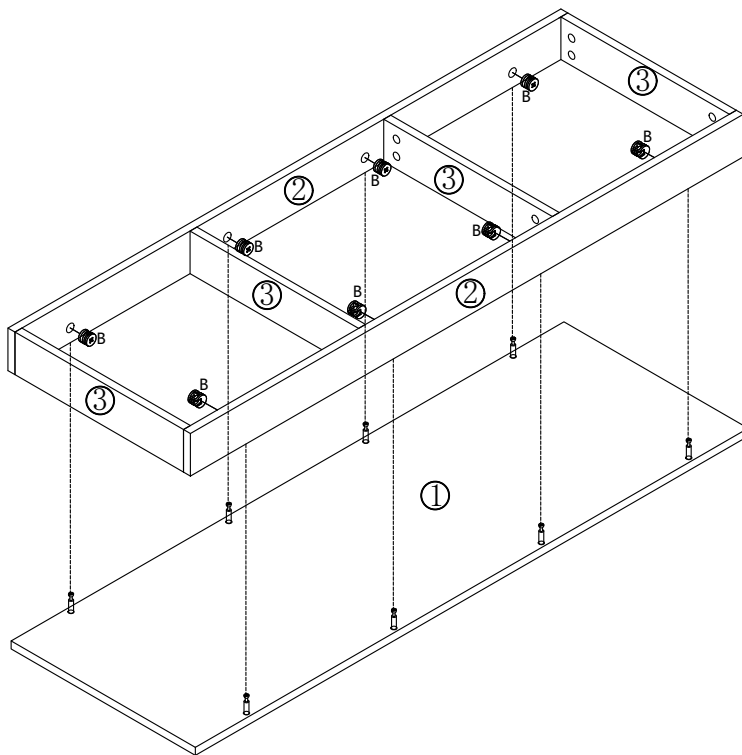
STEP 1



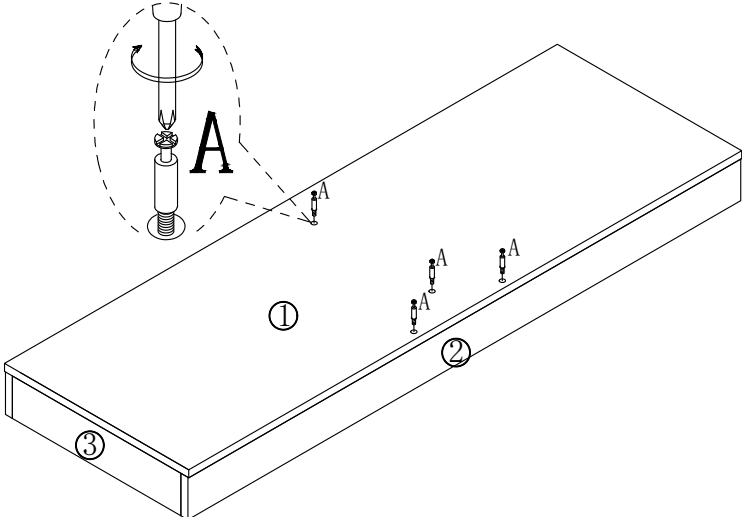
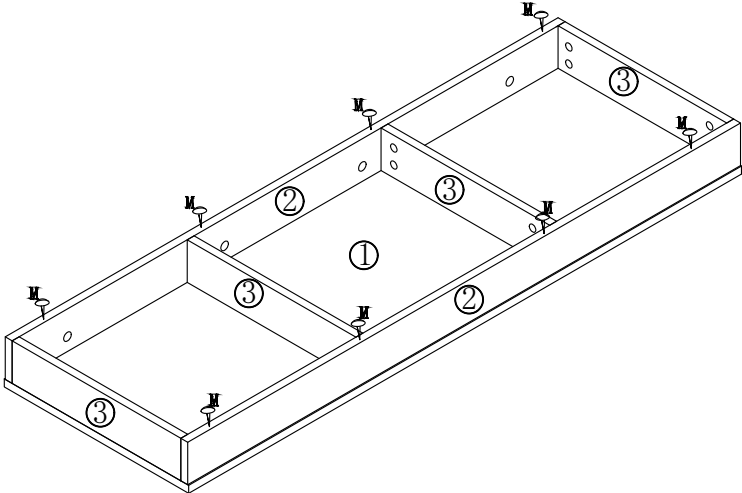
STEP 2





STEP 3

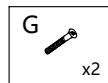
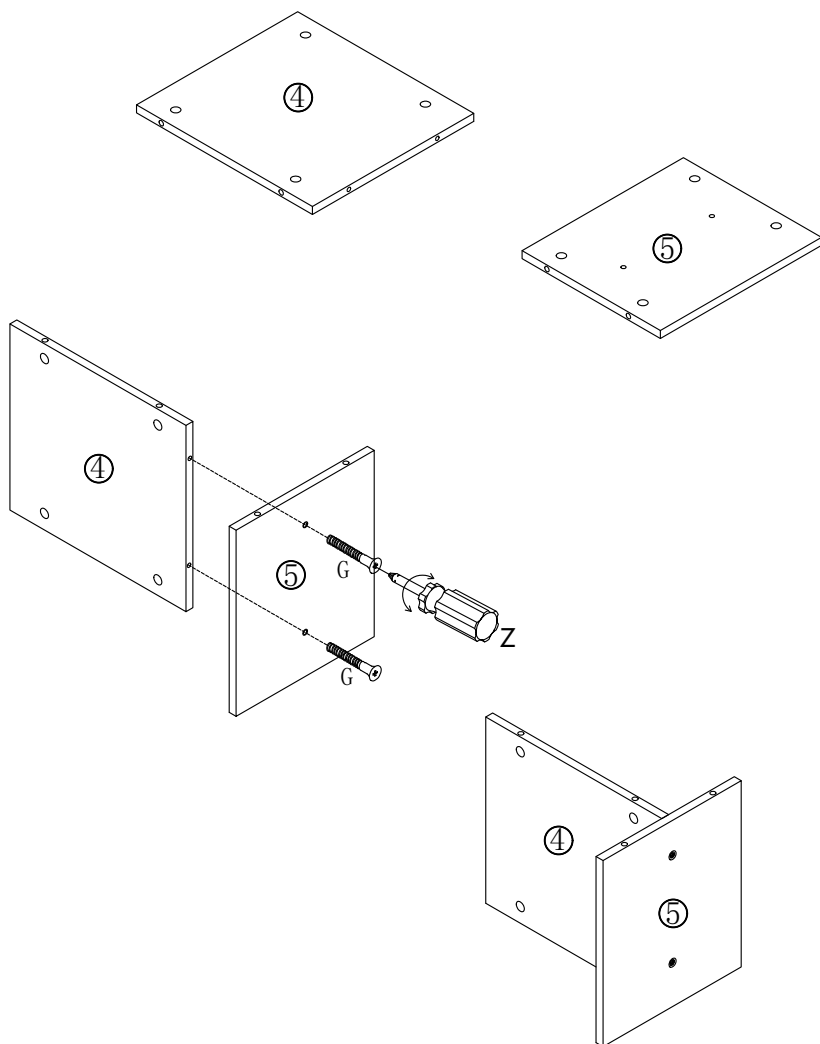


STEP 4

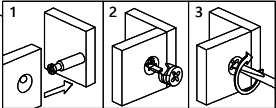
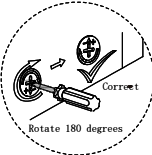
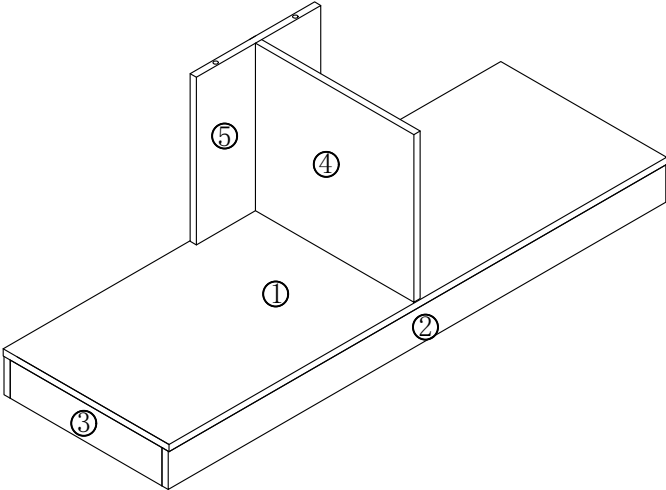
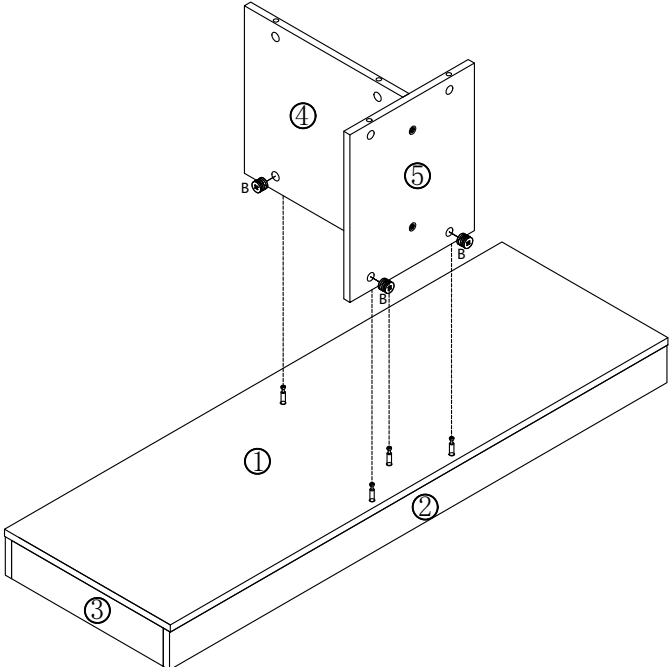


M	A
	
x8	x4

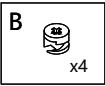
STEP 5



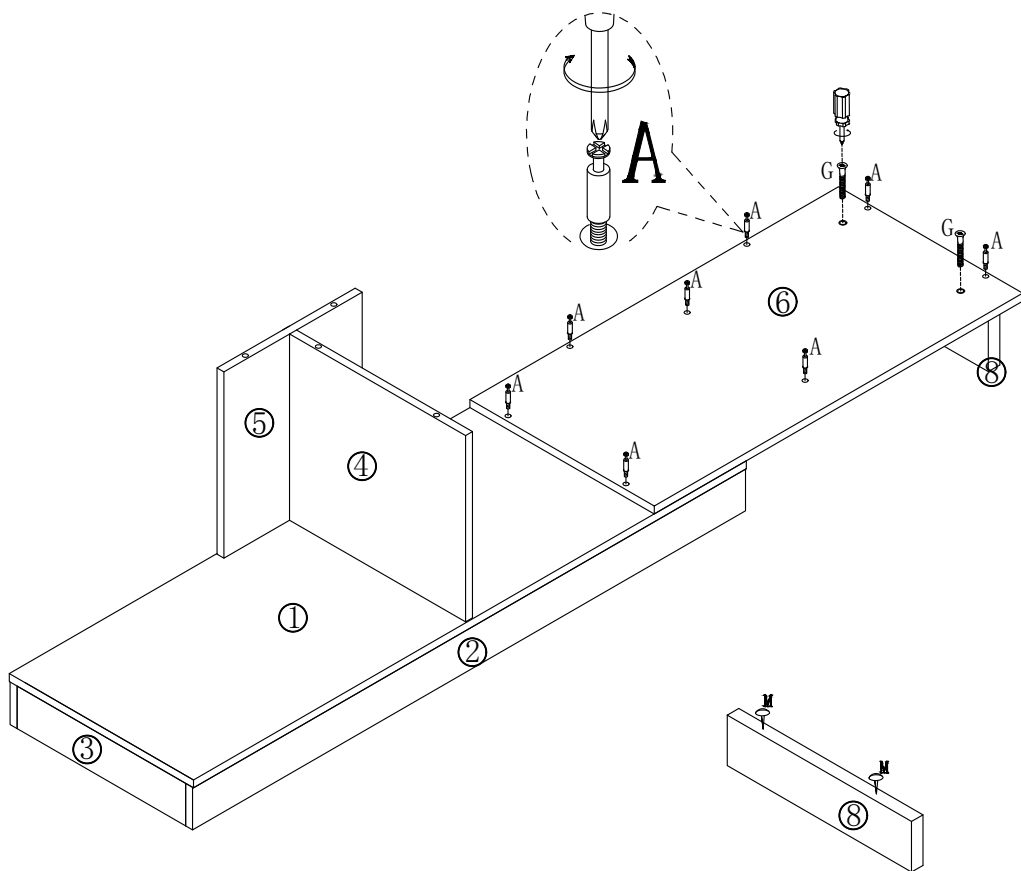
STEP 6



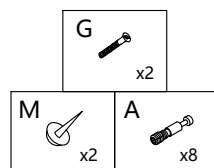
10



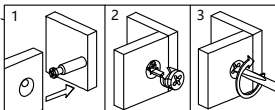
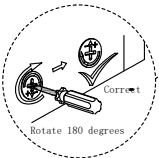
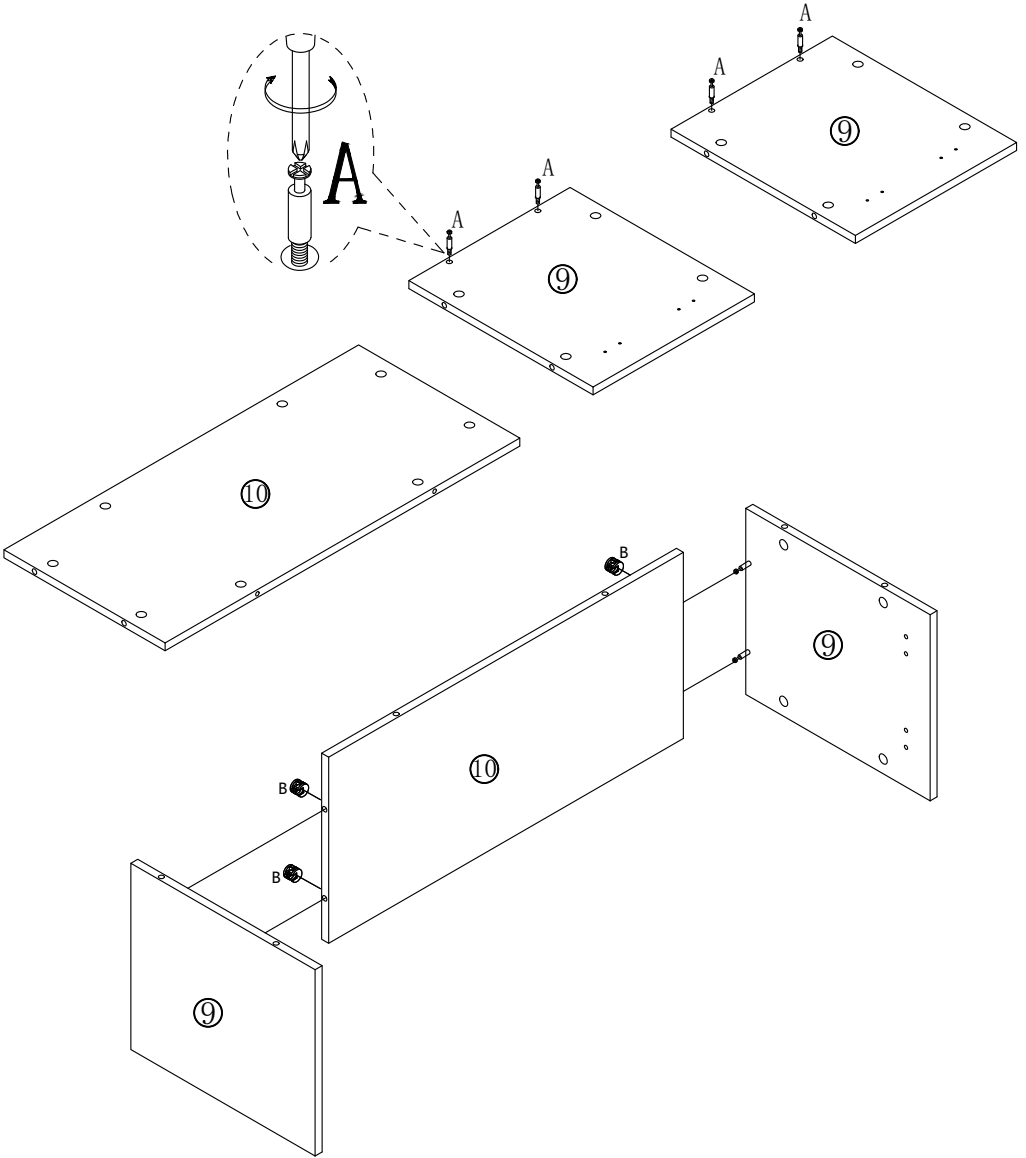
STEP 7



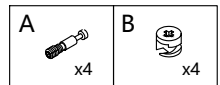
11



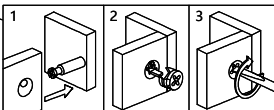
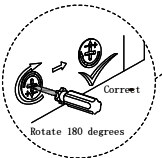
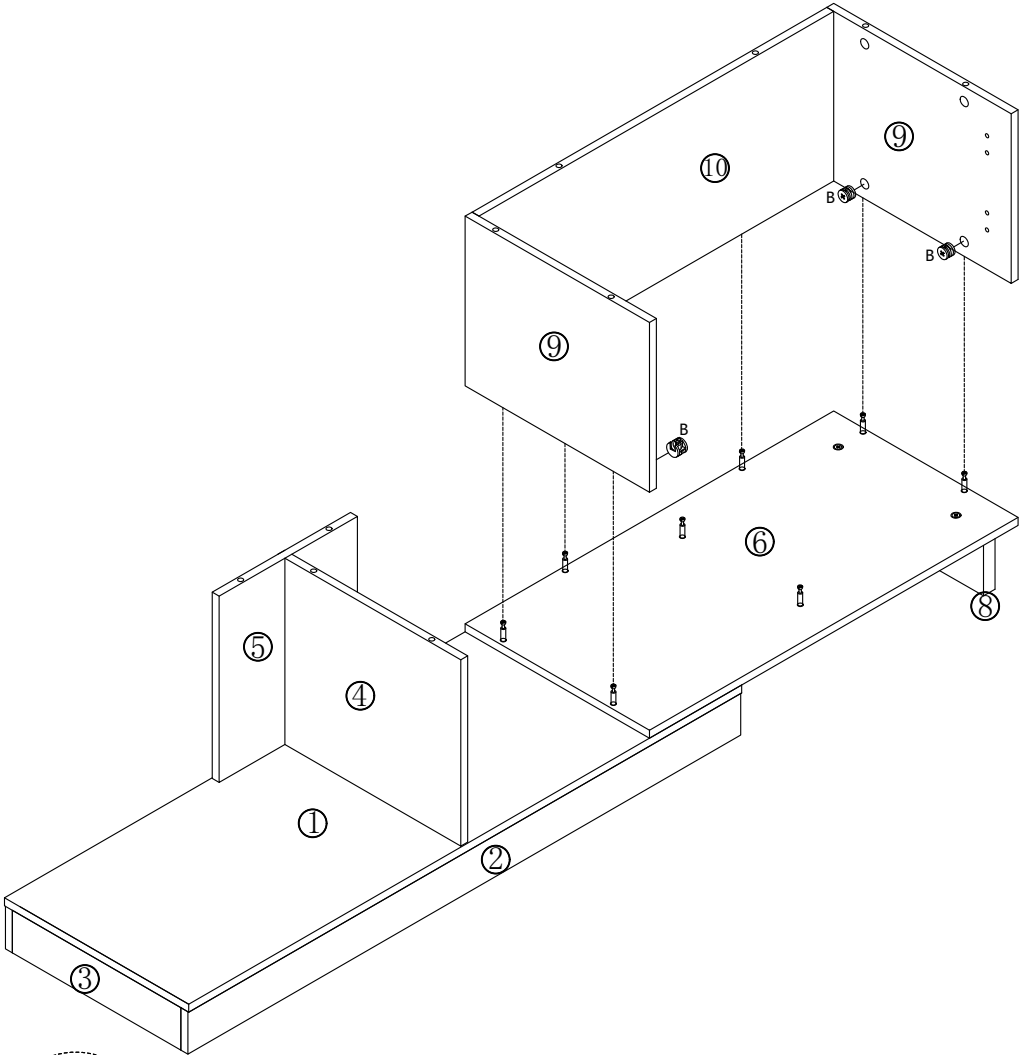
STEP 8



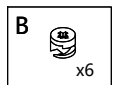
12



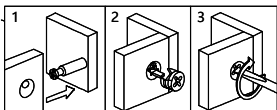
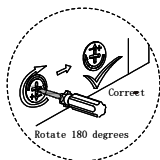
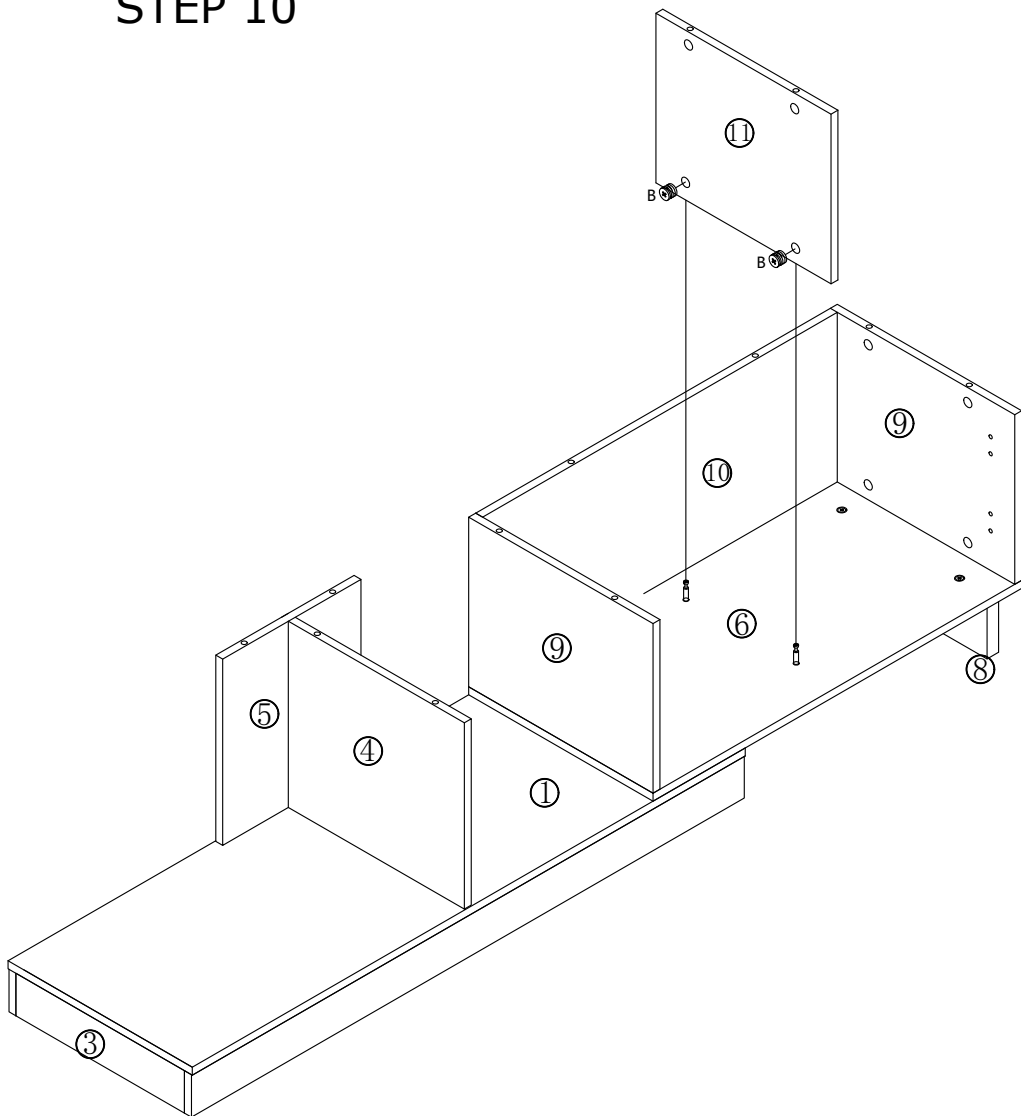
STEP 9



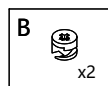
13



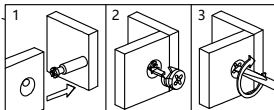
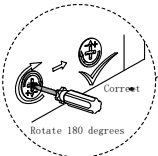
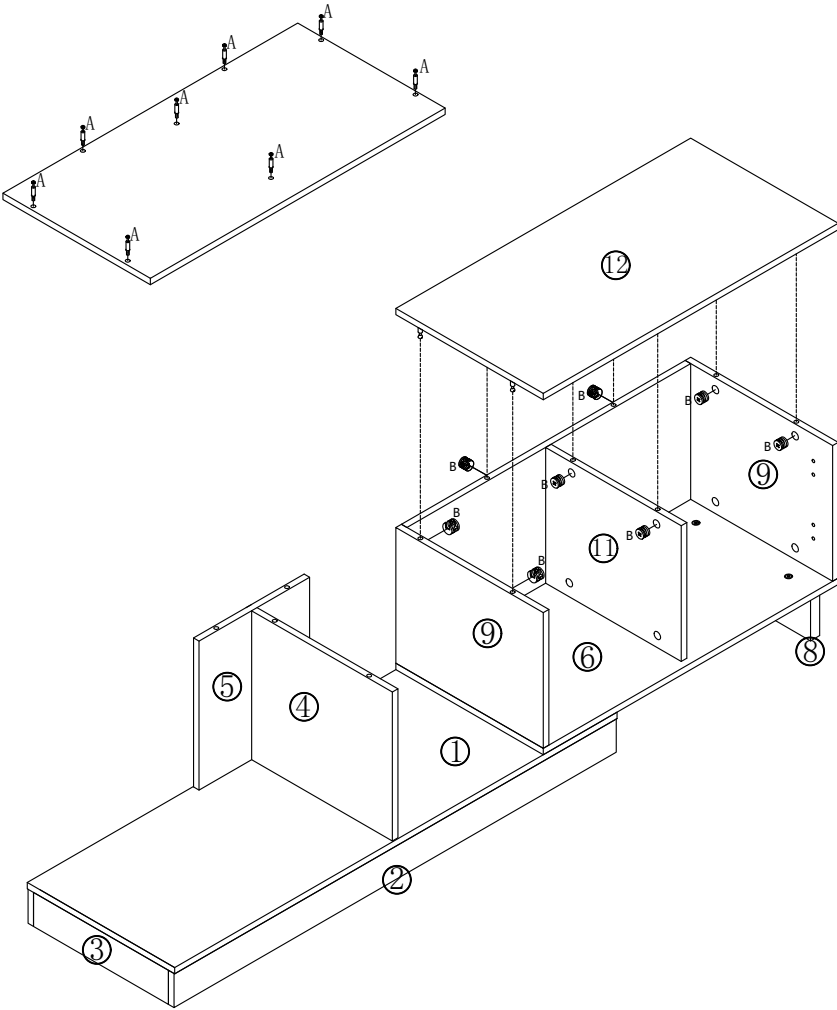
STEP 10



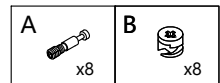
14



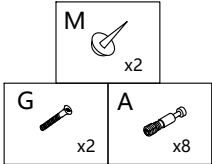
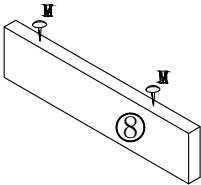
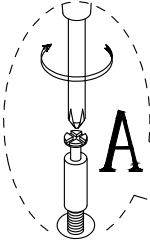
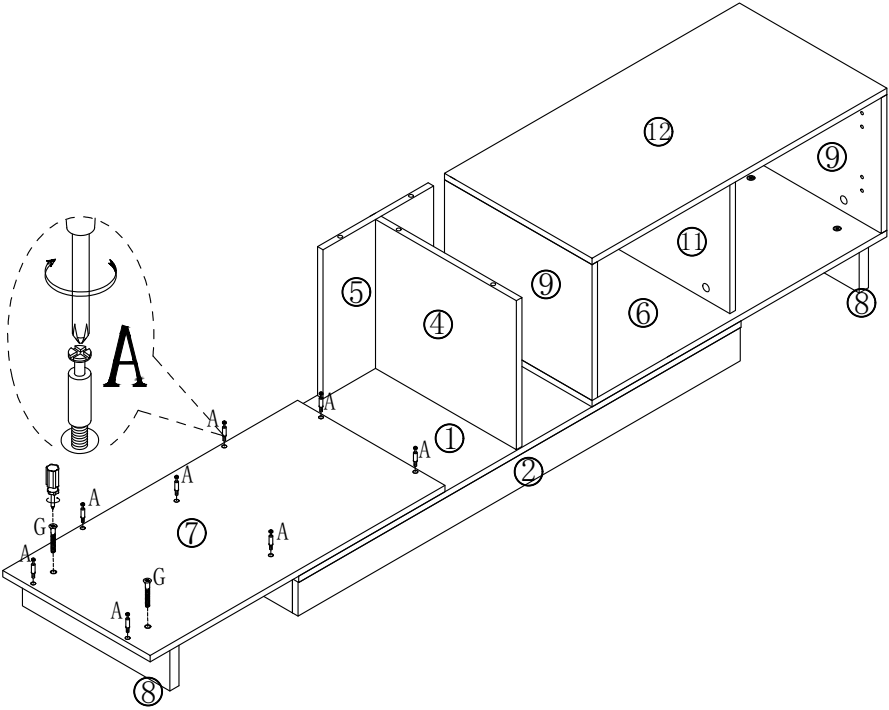
STEP 11



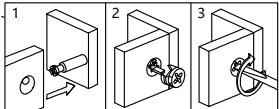
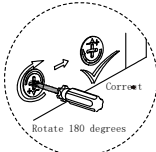
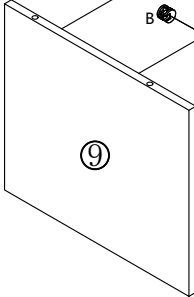
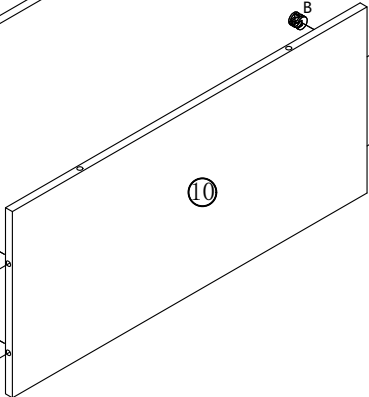
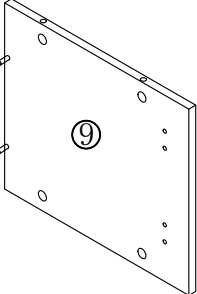
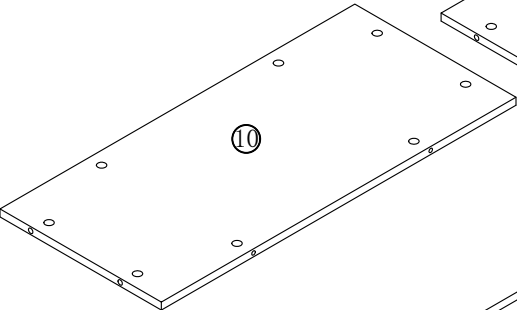
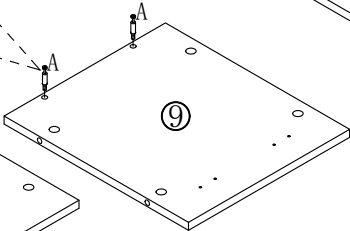
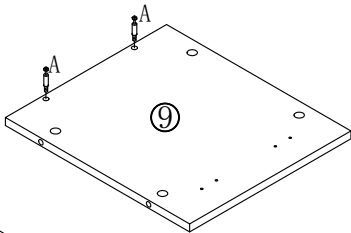
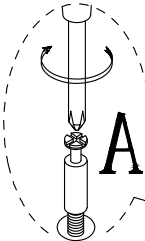
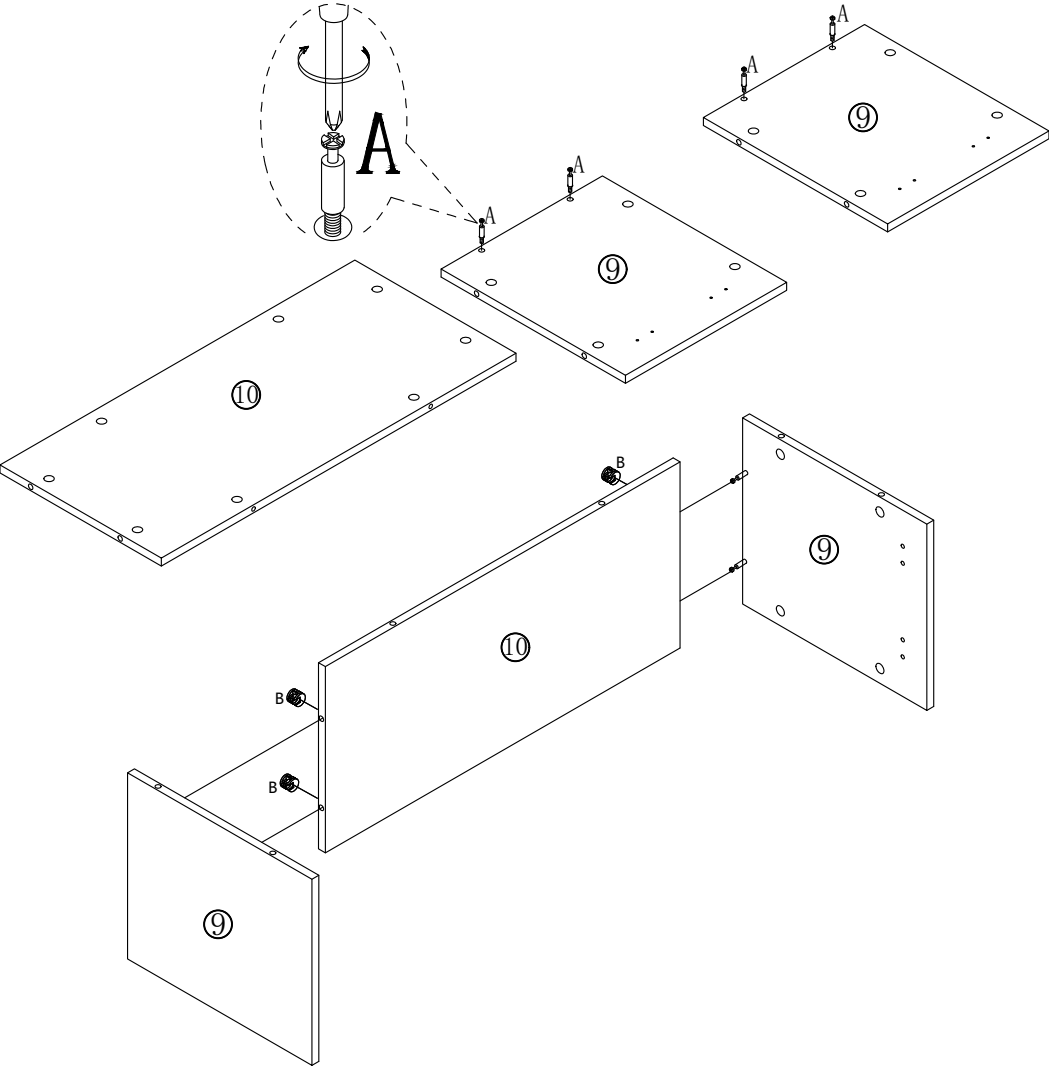
15





STEP 12



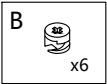
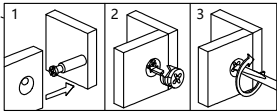
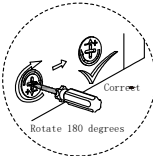
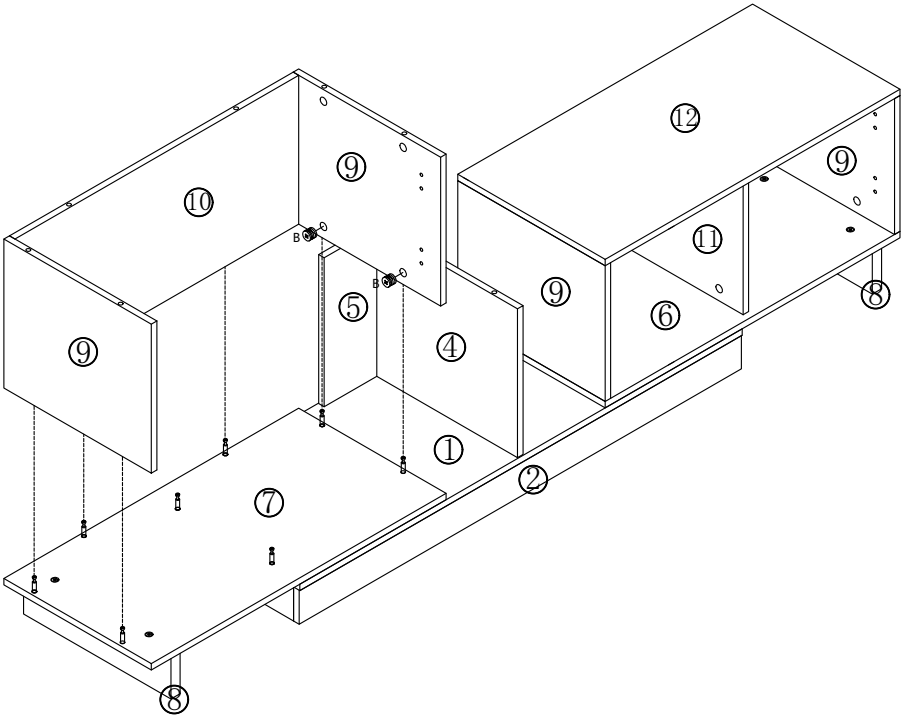
STEP 13



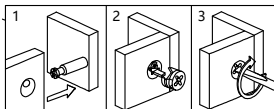
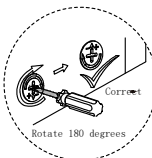
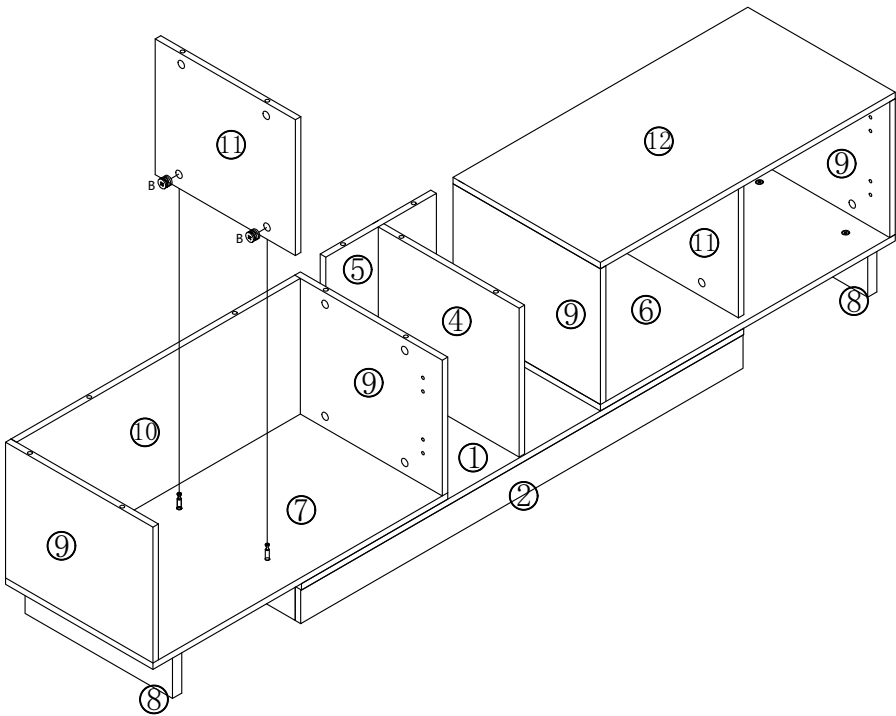
17

A  x4	B  x4
--	---

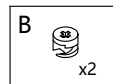
STEP 14



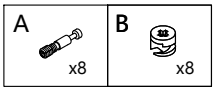
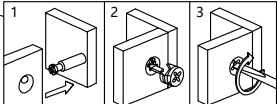
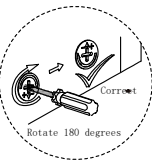
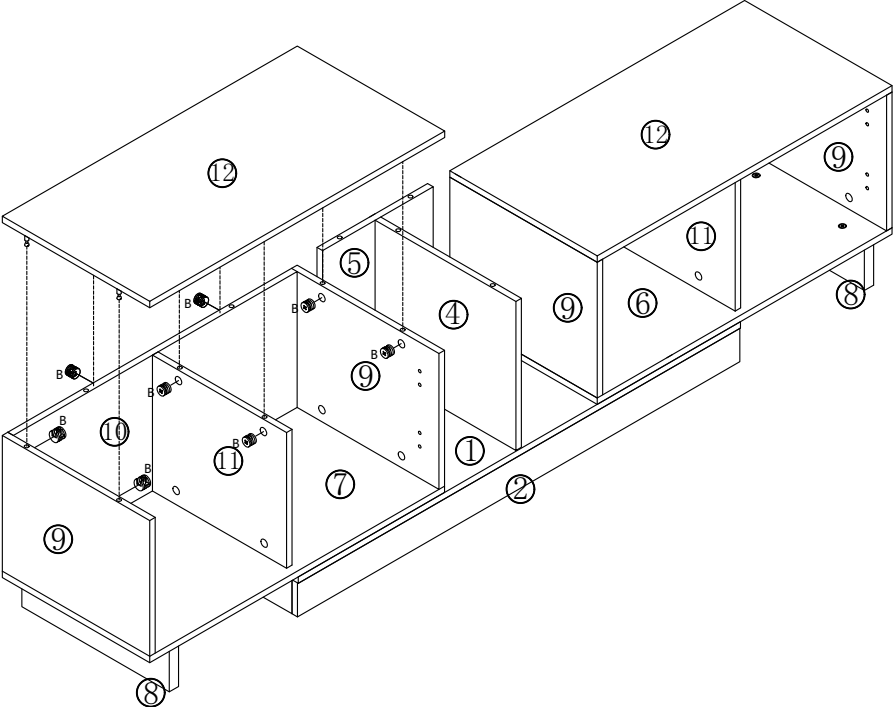
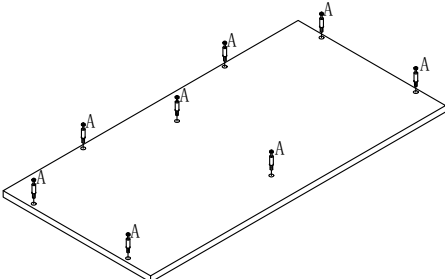
STEP 15



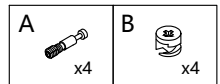
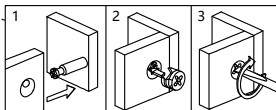
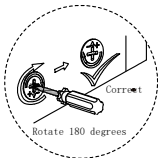
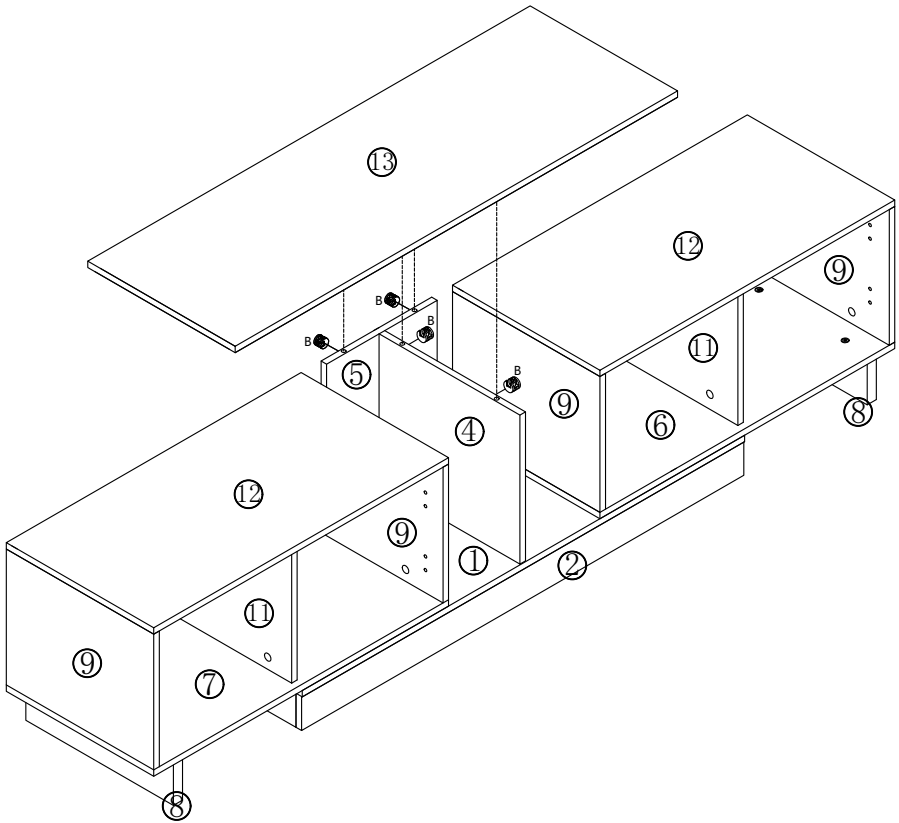
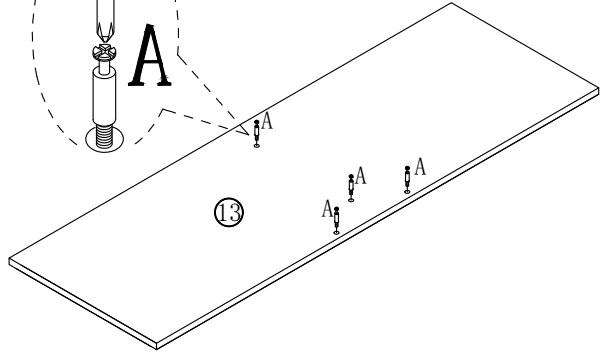
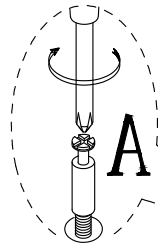
19



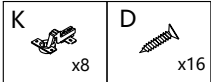
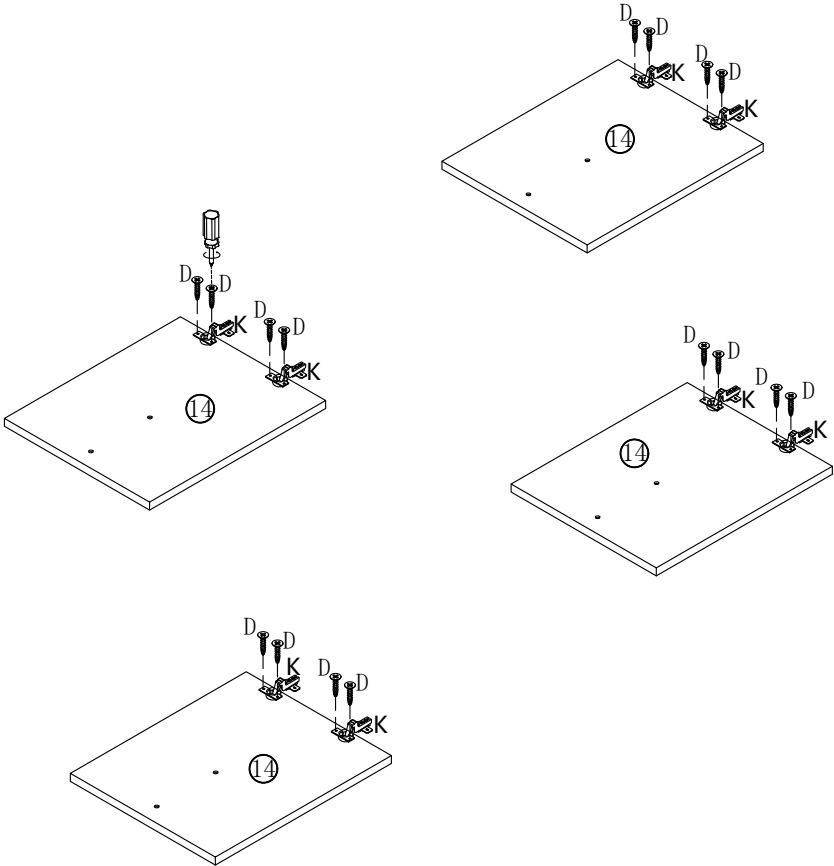
STEP 16



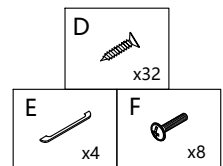
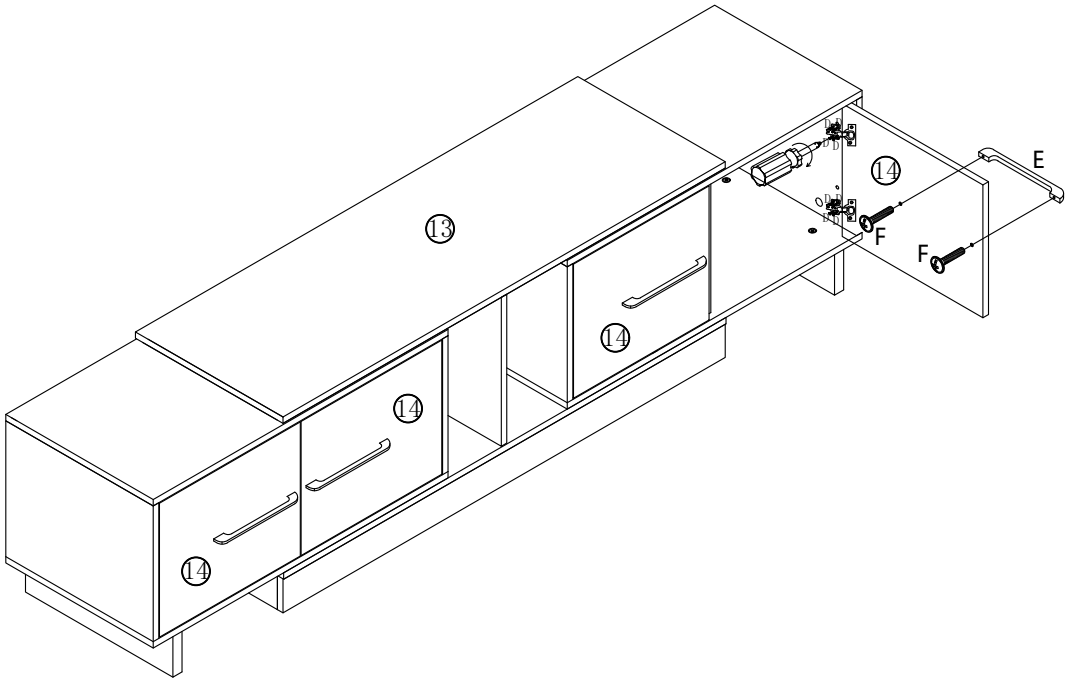
STEP 17



STEP 18

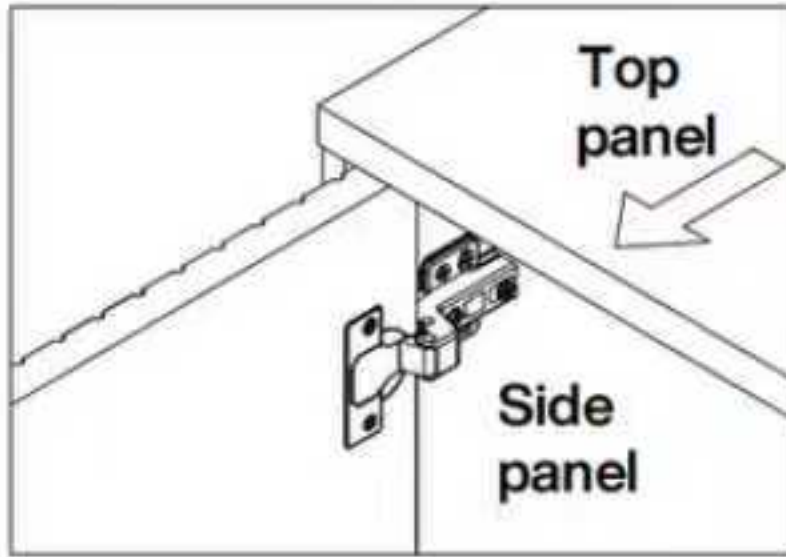


STEP 19



Step 1

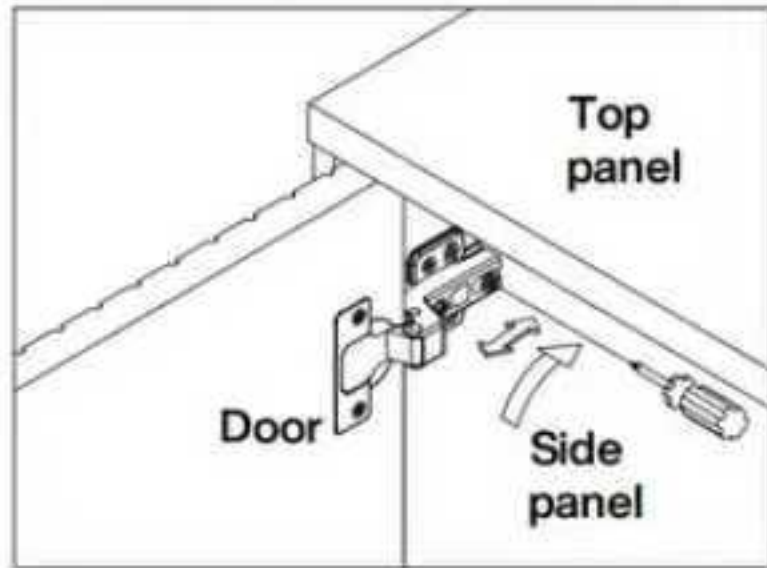
Open the door.



TO ADJUST YOUR DOORS TO MAKE THE GAPS MORE EVEN (OPTIONAL).

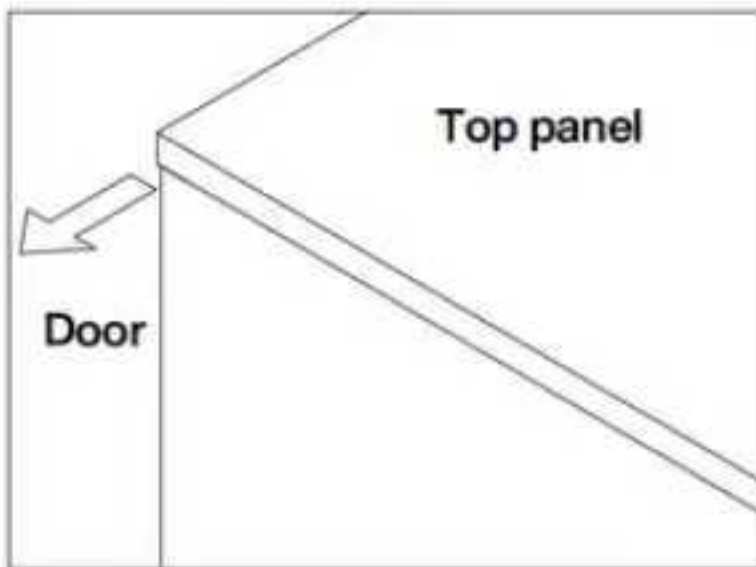
Step 2

Adjust the door panel to be flush with side panel and top panel edge.

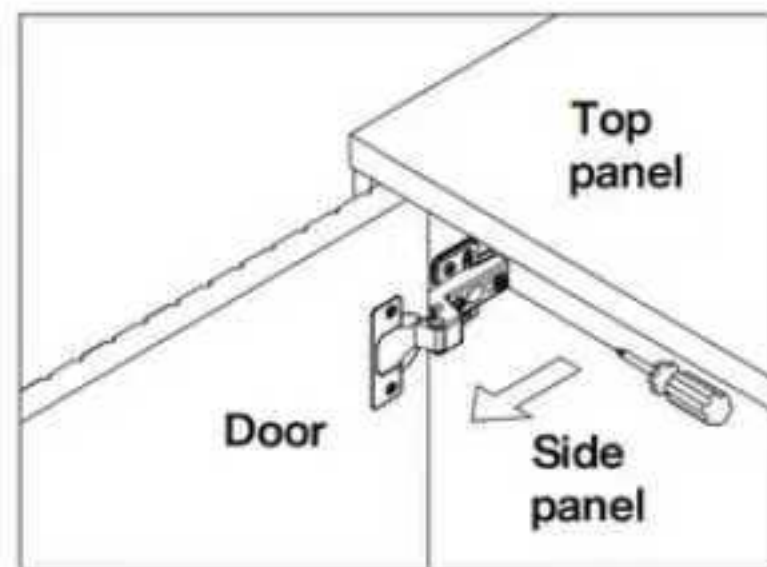
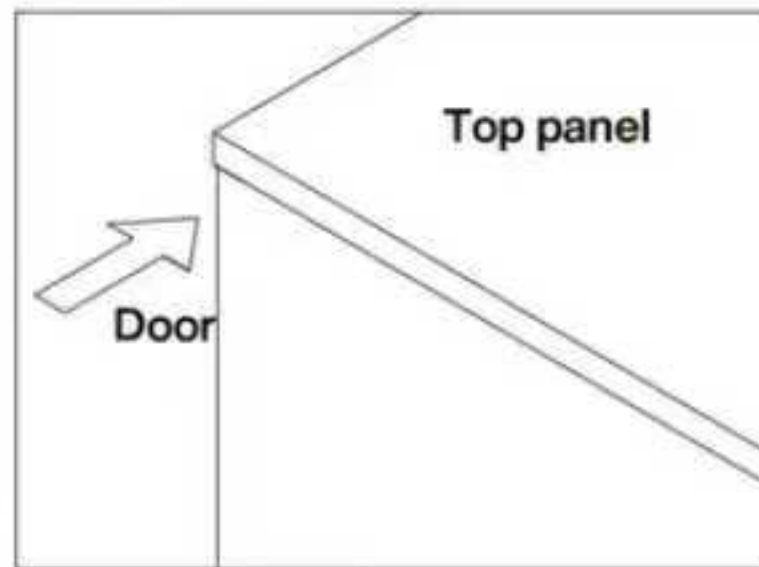


Loosen the screw indicated a little, adjust the hinge to right position (see step 2a & 2b), then tighten the screw.

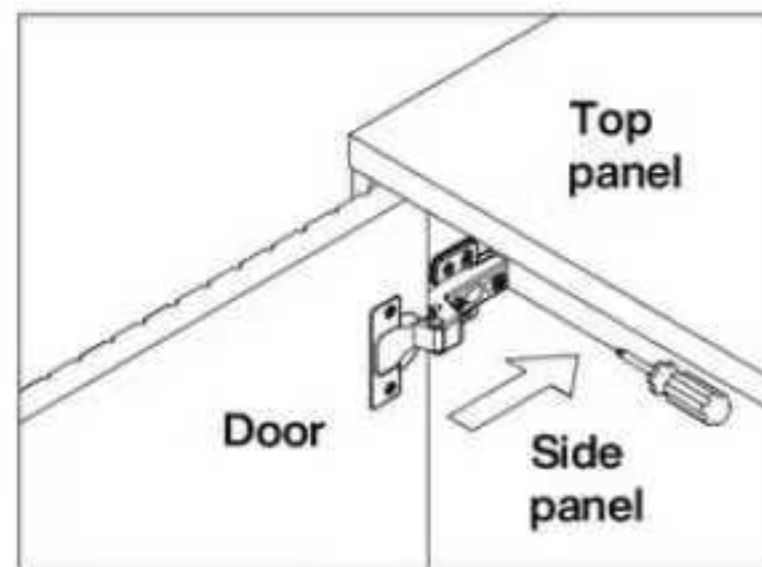
Step 2a MOVE DOOR OUT



Step 2b MOVE DOOR INSIDE



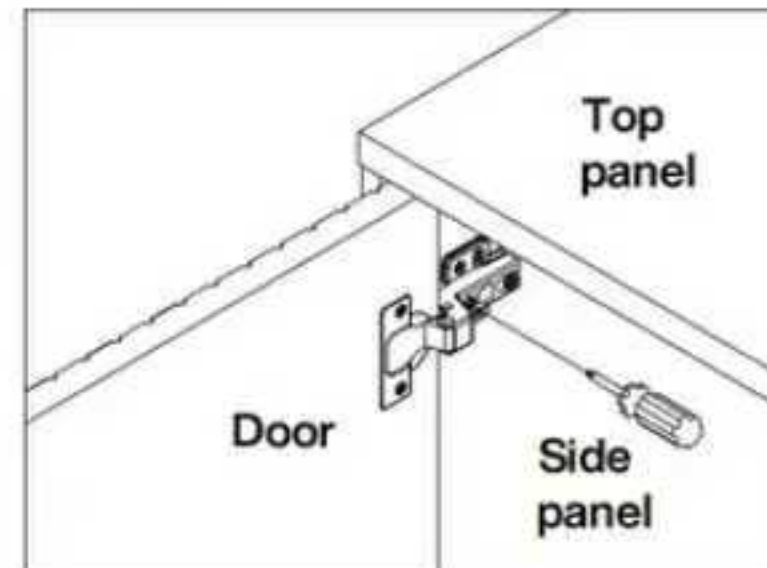
Pull the hinge forward a little.



Pull the hinge back a little.

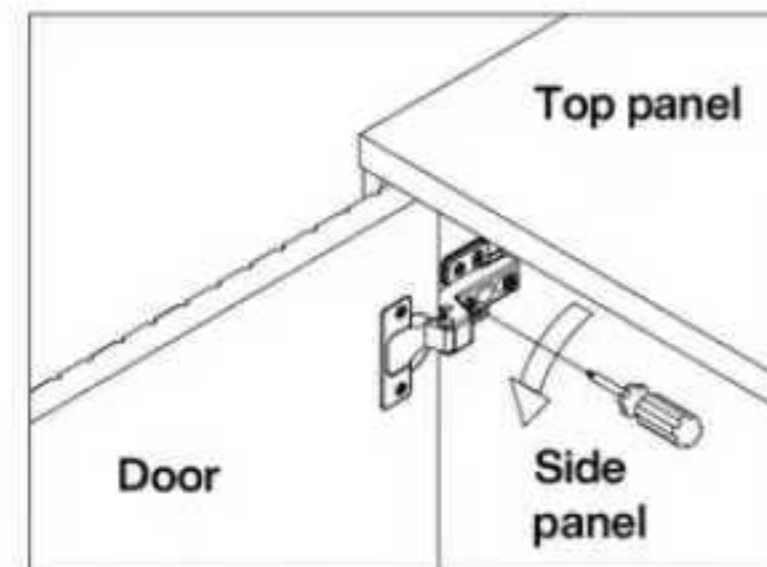
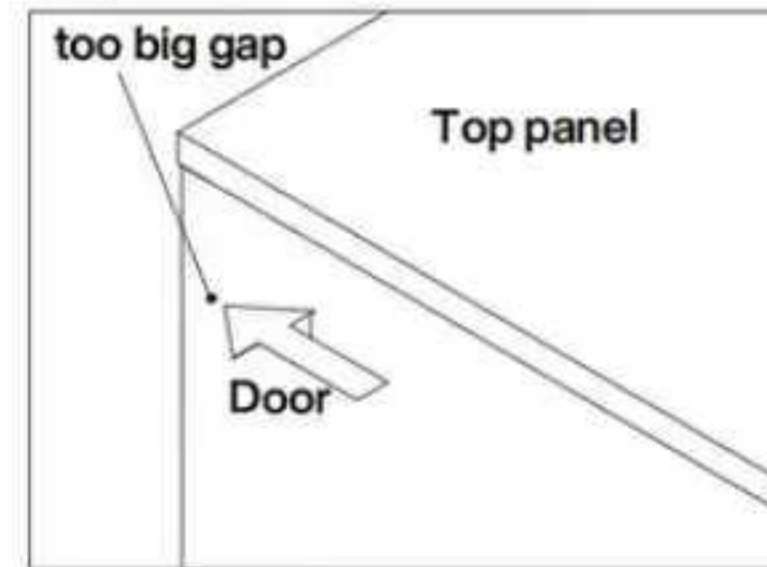
Step 3

Adjust the gap between door panel and side panel.



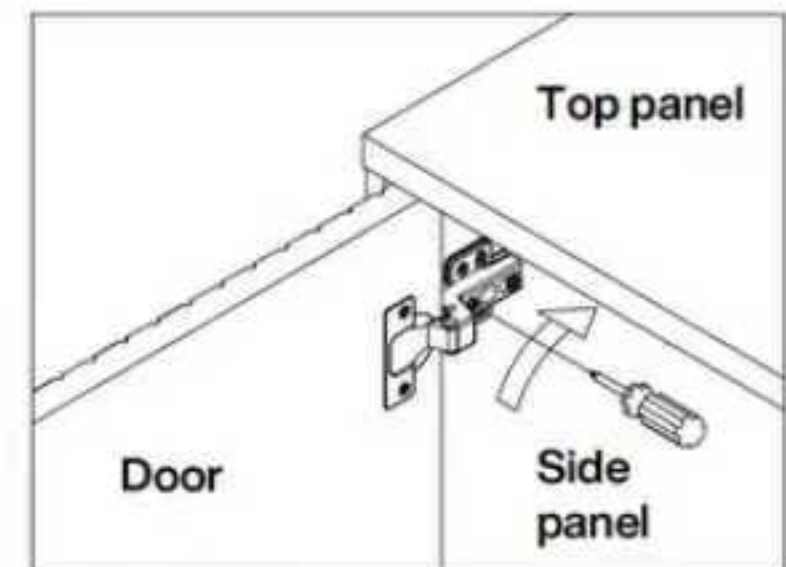
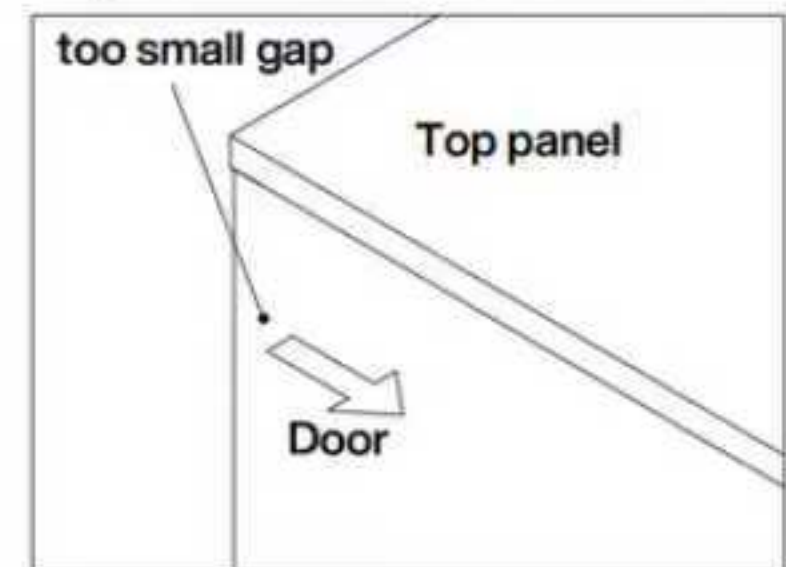
Loosen or tighten the screw indicated a little to adjust the gap between the door panels, adjust the hinge to right position (see step 3a & 3b).

Step 3a MOVE DOOR LEFT

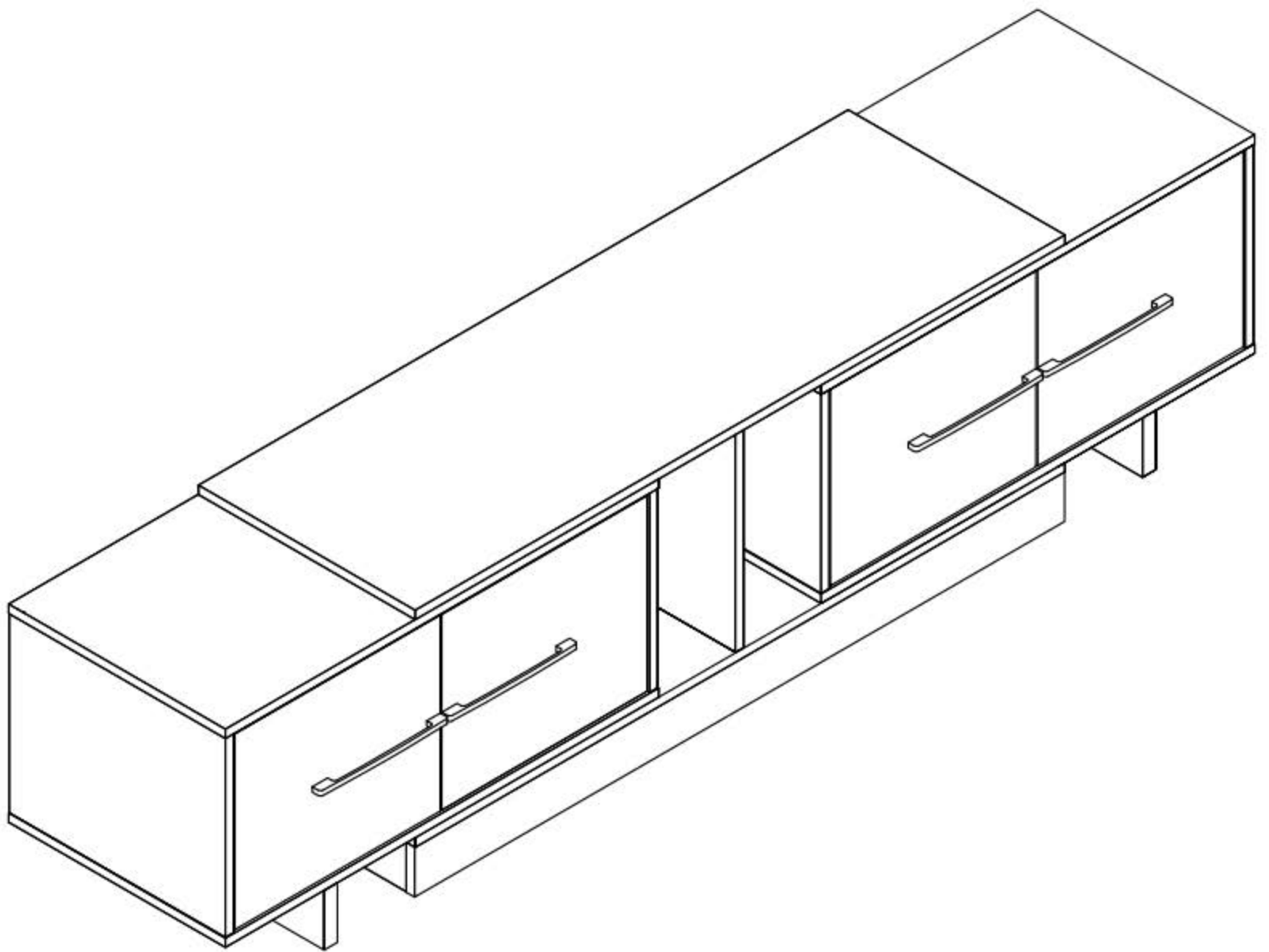


Turn the screw clockwise a little as shown to make the gap small.

Step 3b MOVE DOOR RIGHT



Turn the screw counterclockwise a little as shown to make the gap big.



**Congratulations!
You've complete this
work of art.**

OK