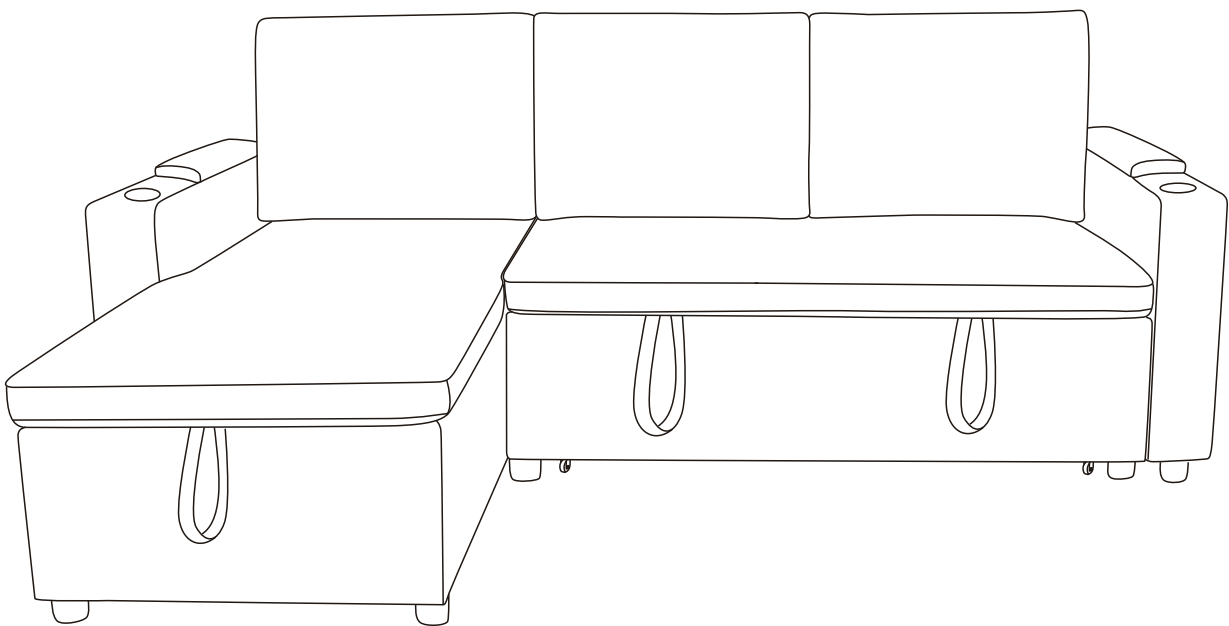
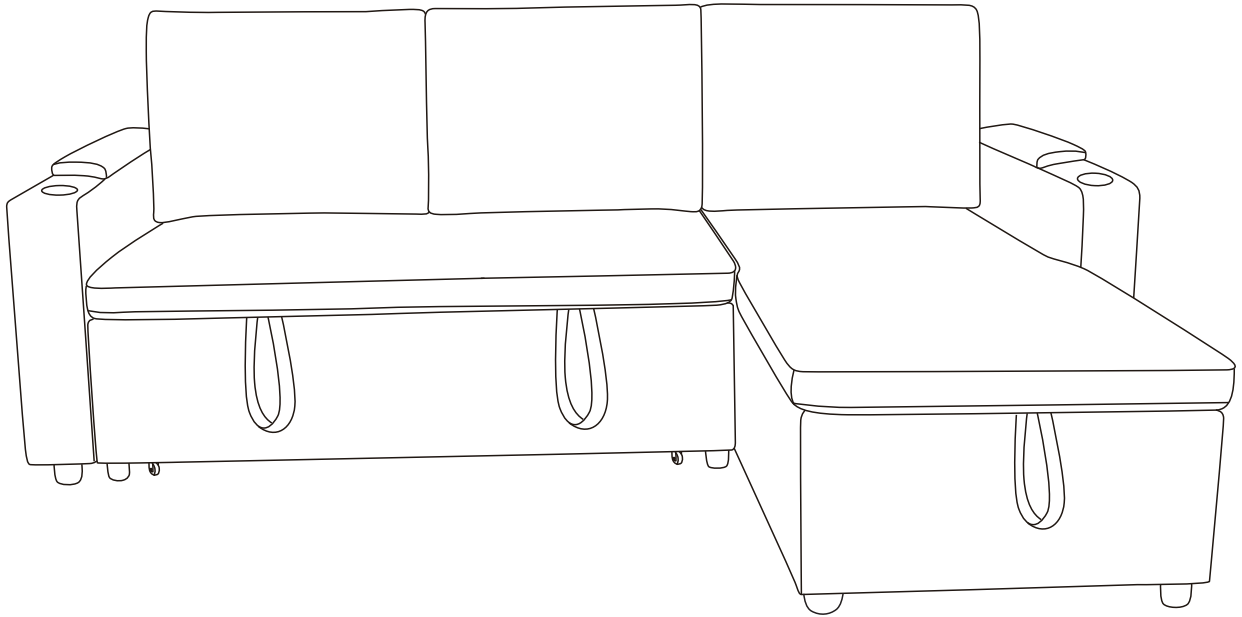


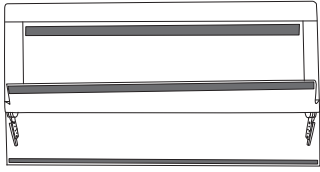
# ASSEMBLY INSTRUCTION

Item No.:S38

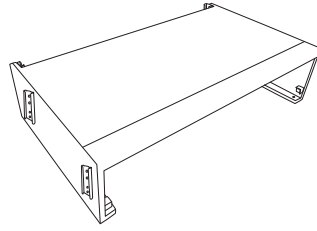


# Components List

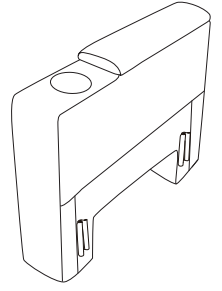
## Carton:1



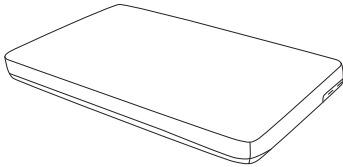
H X1



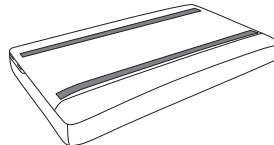
I X1



J-L X1



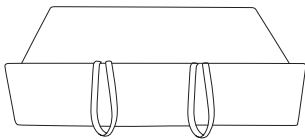
K X1



L X1

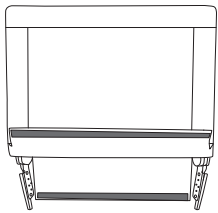


M X2

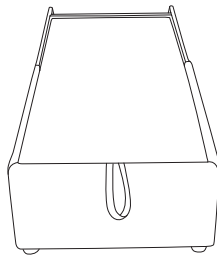


N X1

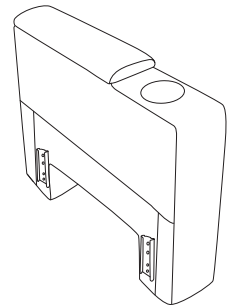
## Carton:2



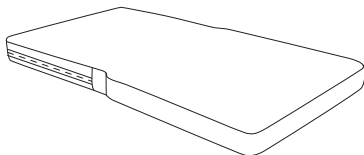
O X1



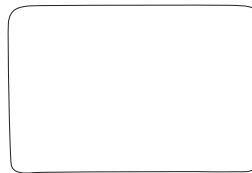
P X1



J-R X1








Q X1

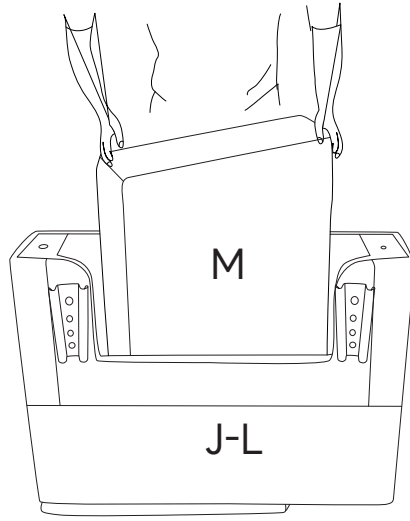


R X1

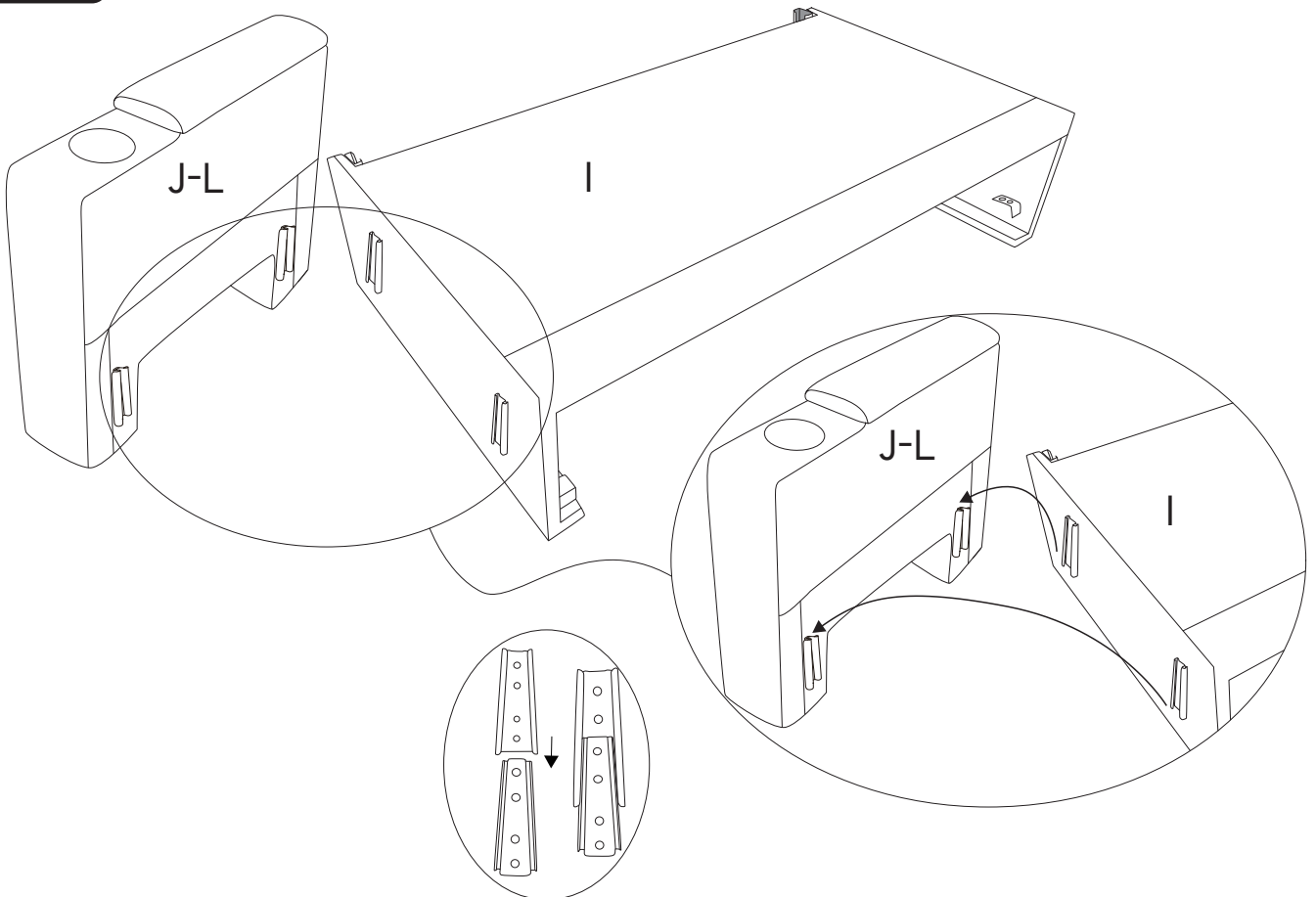
## Hardware List

A M6X20mm	B M4	C	D	E
				
X4	X1	X12	X2	X4

**STEP 1**

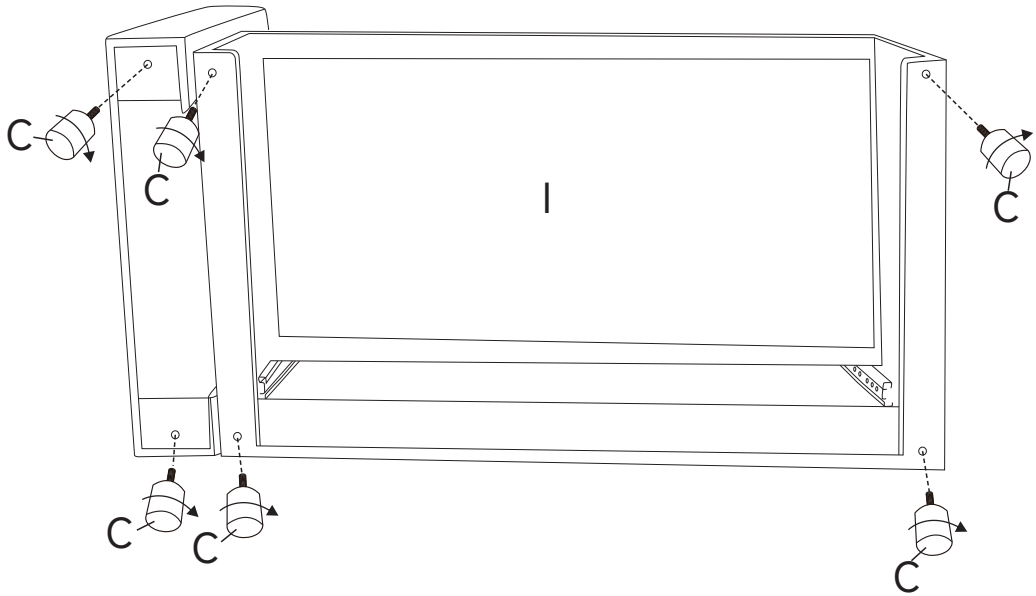


**STEP 2**






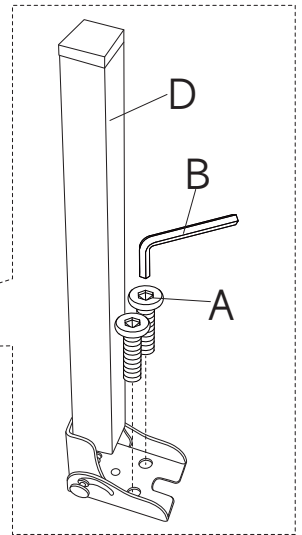
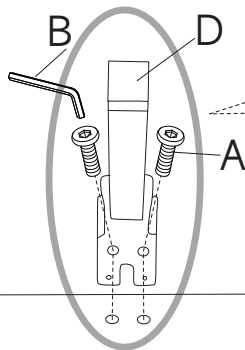
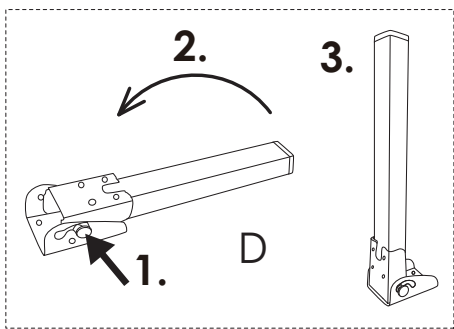
### STEP 3

	CX6
---	-----

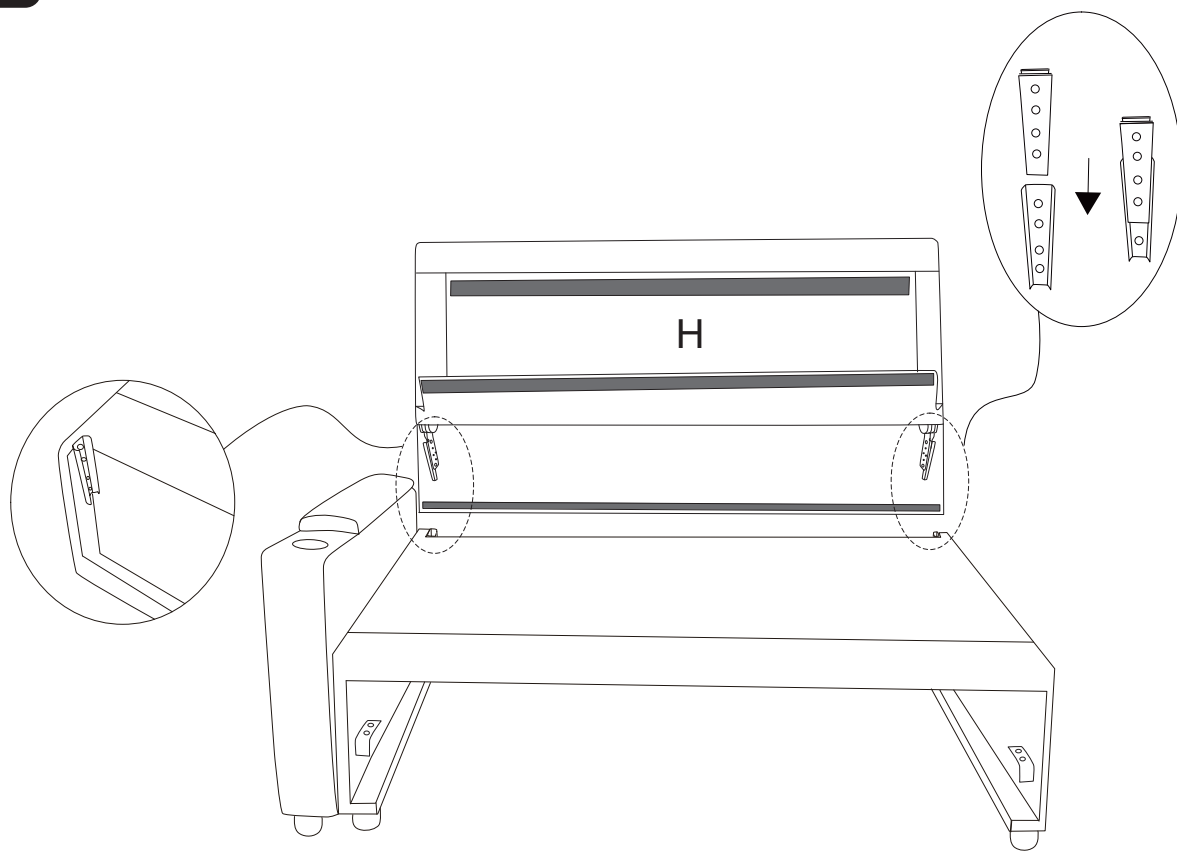


### STEP 4

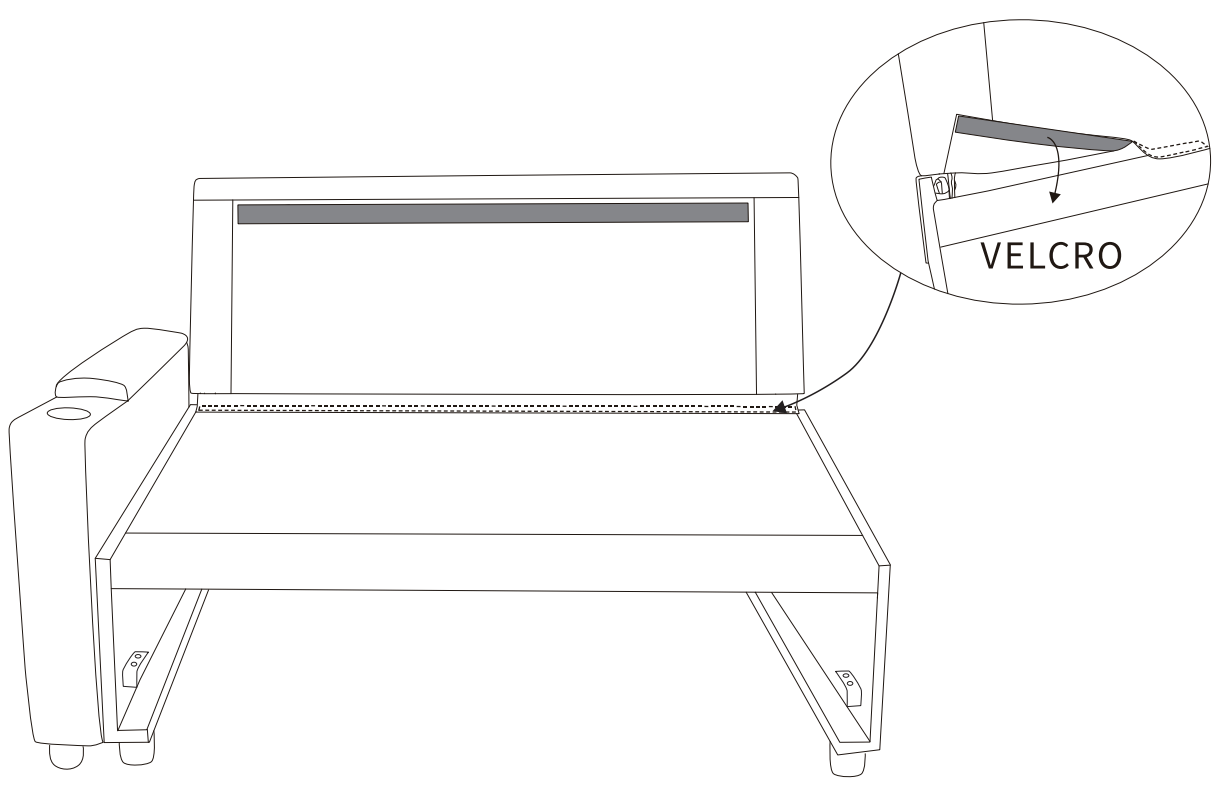
	AX2
	BX1
	DX1



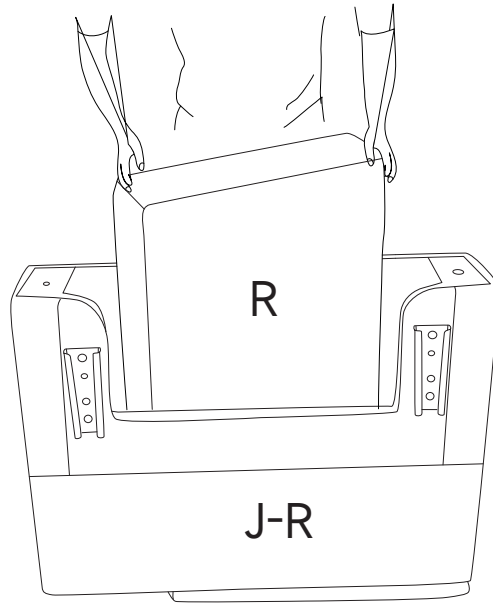
**STEP 5**



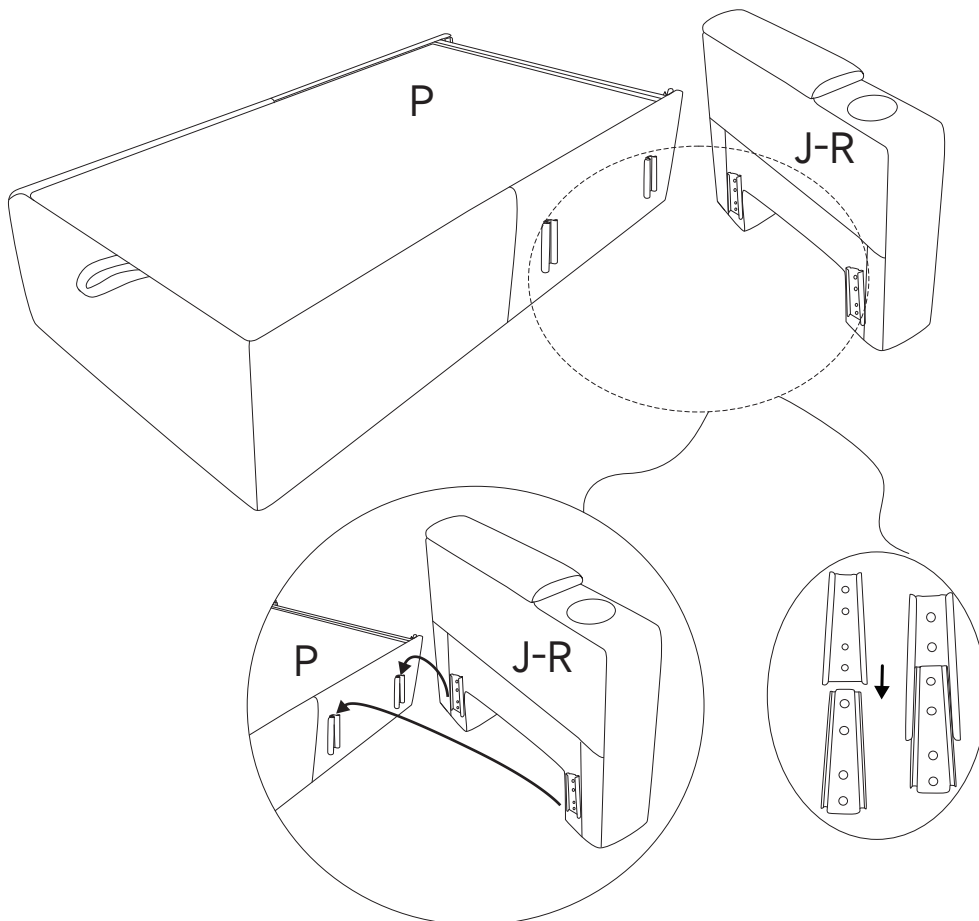
**STEP 6**



**STEP 7**

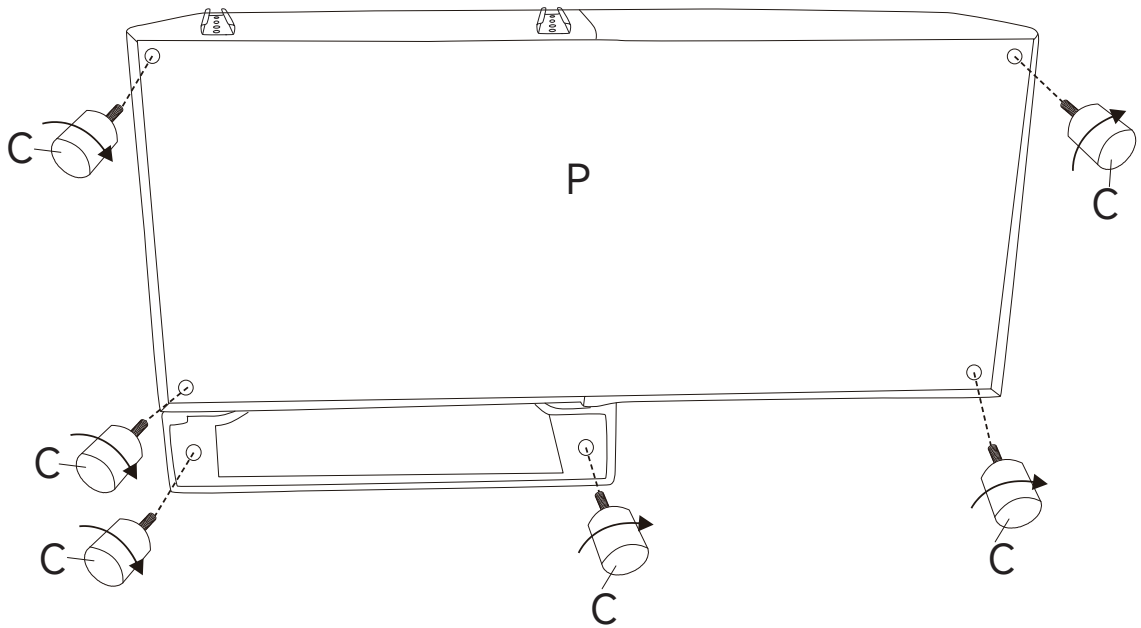


**STEP 8**






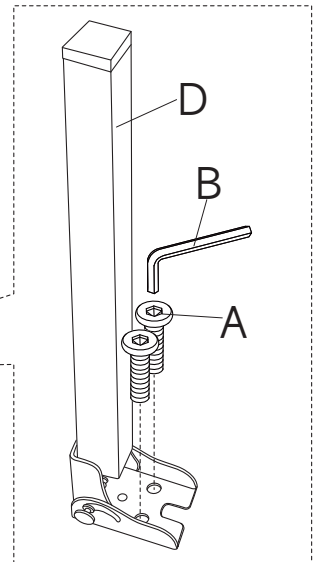
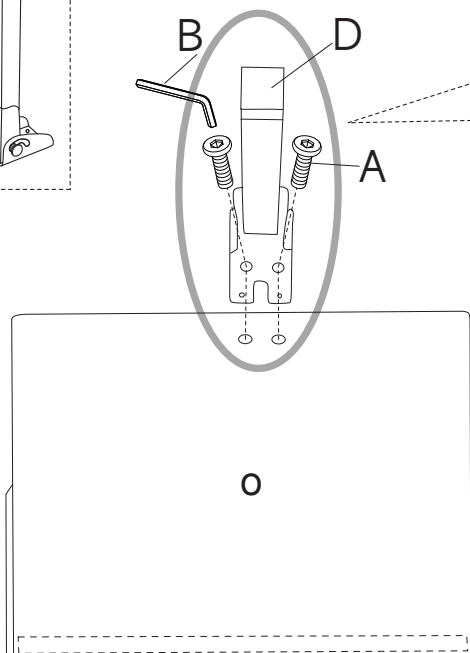
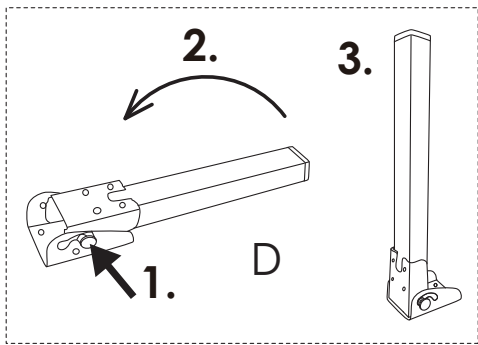
# STEP 9

	Cx6
---	-----

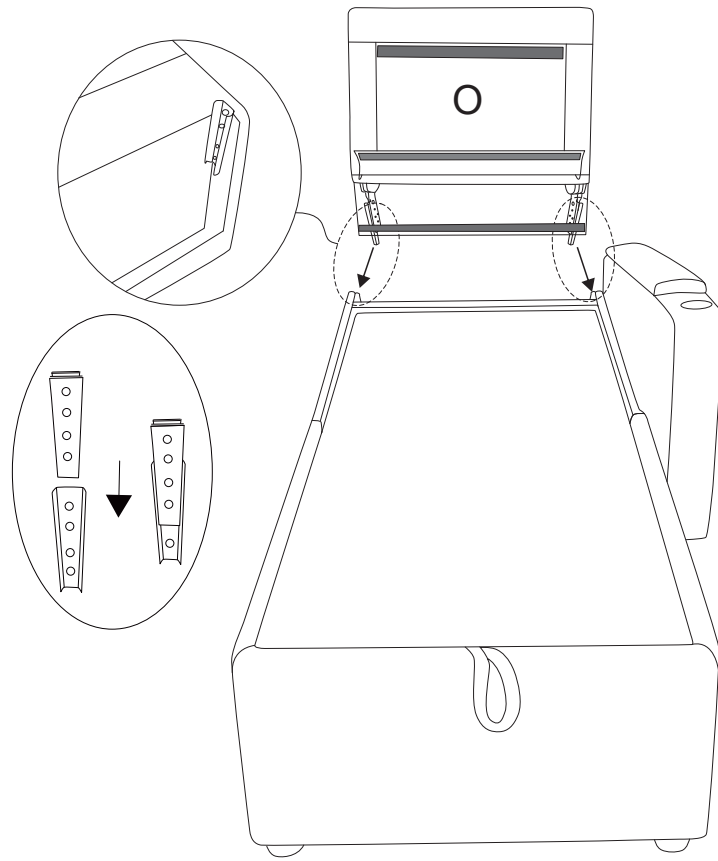


# STEP 10

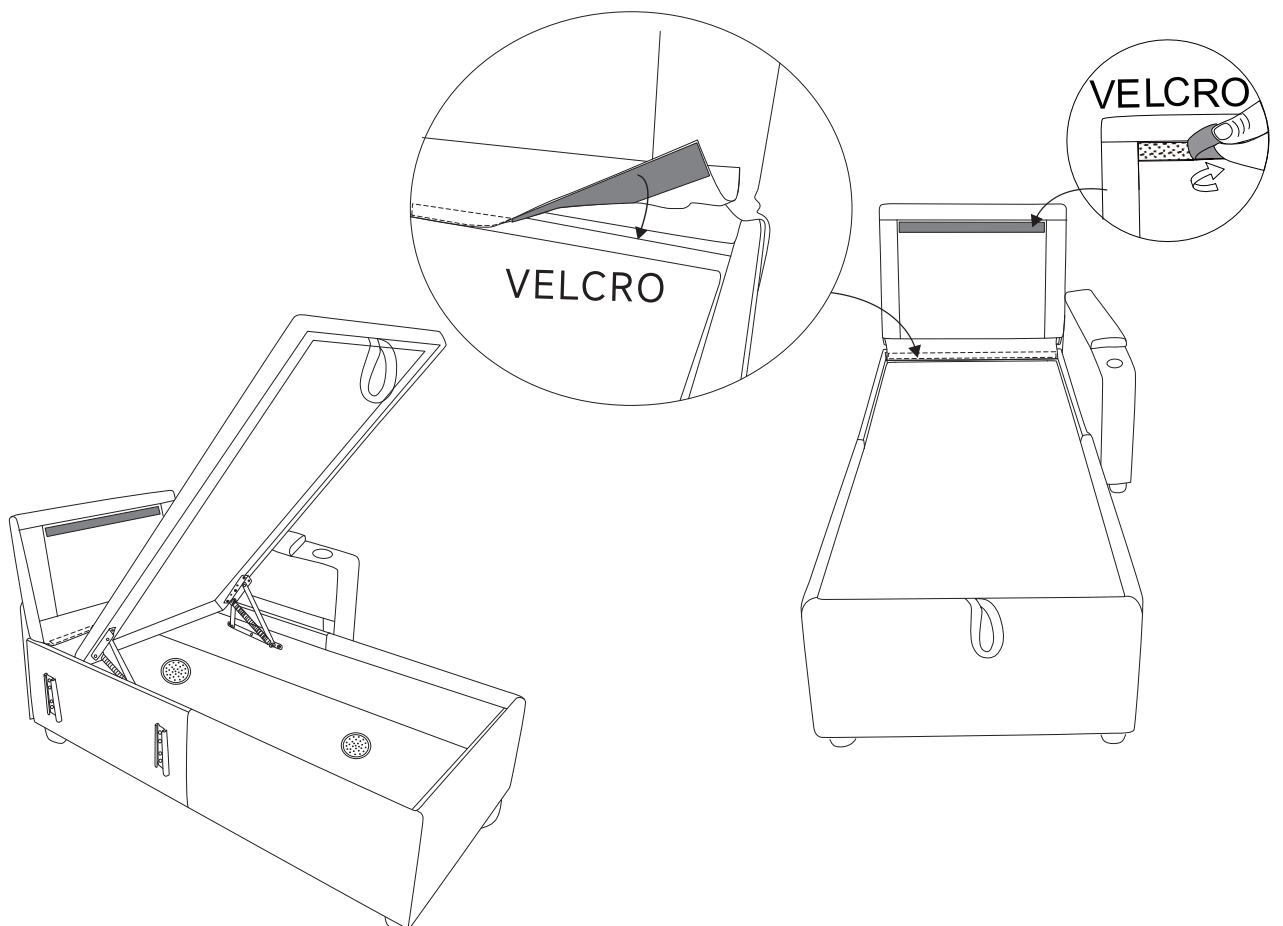
	AX2
	BX1
	DX1



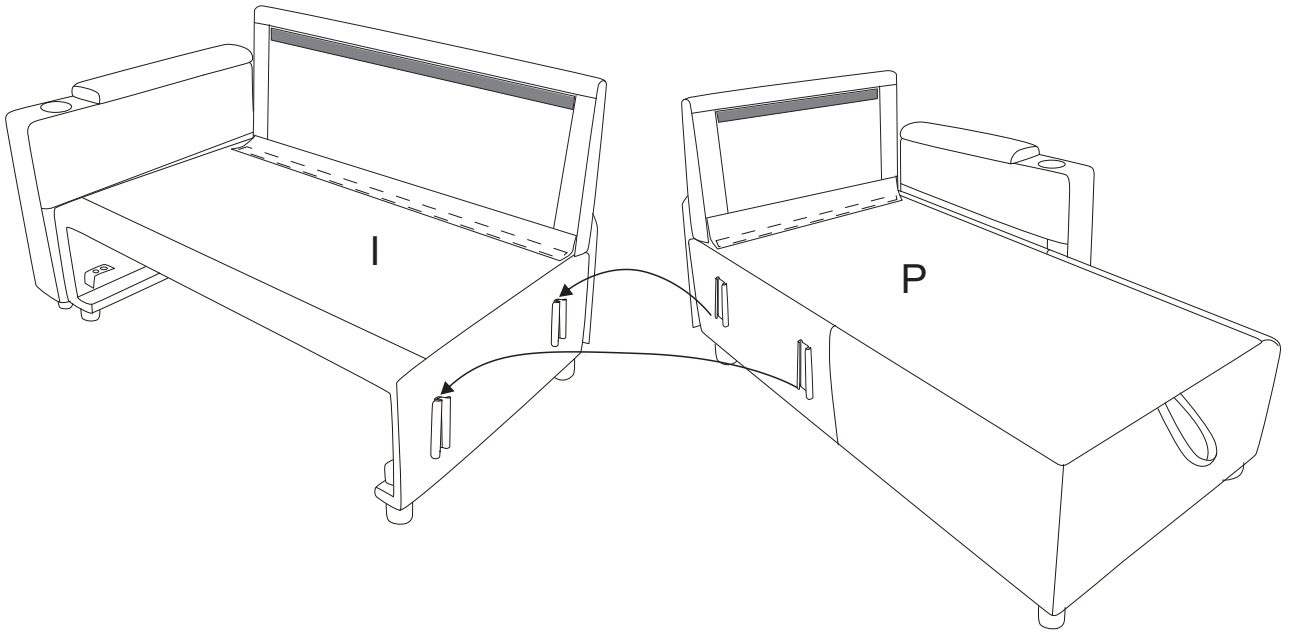
**STEP 11**



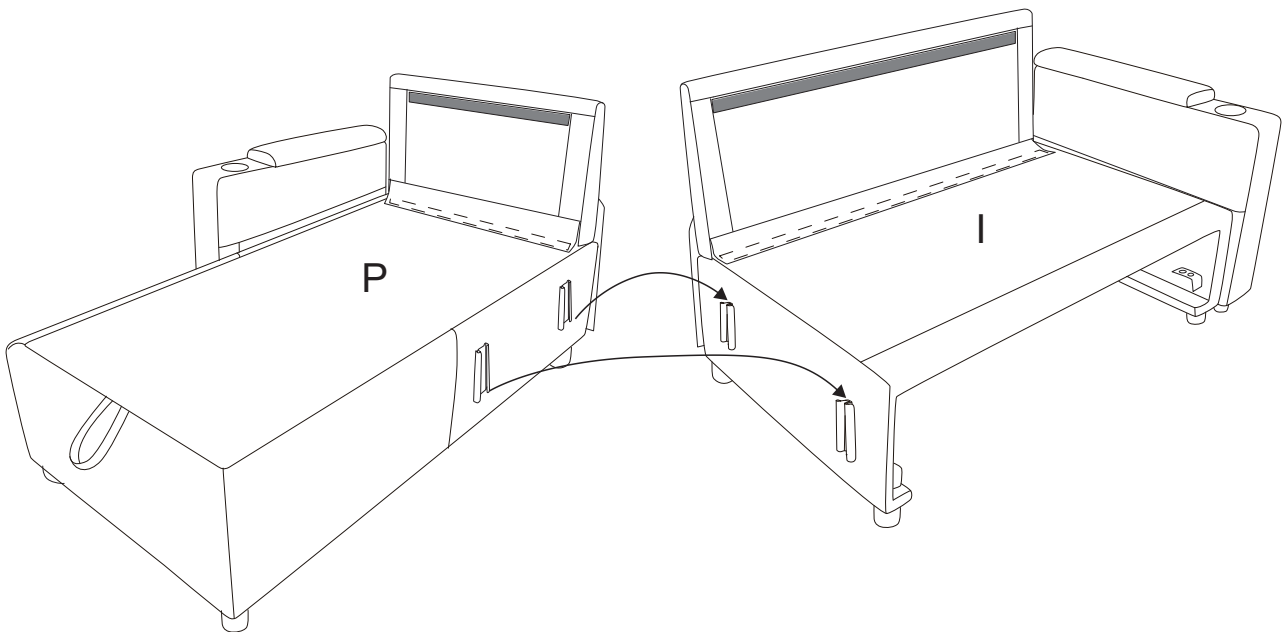
**STEP 12**



# STEP 13

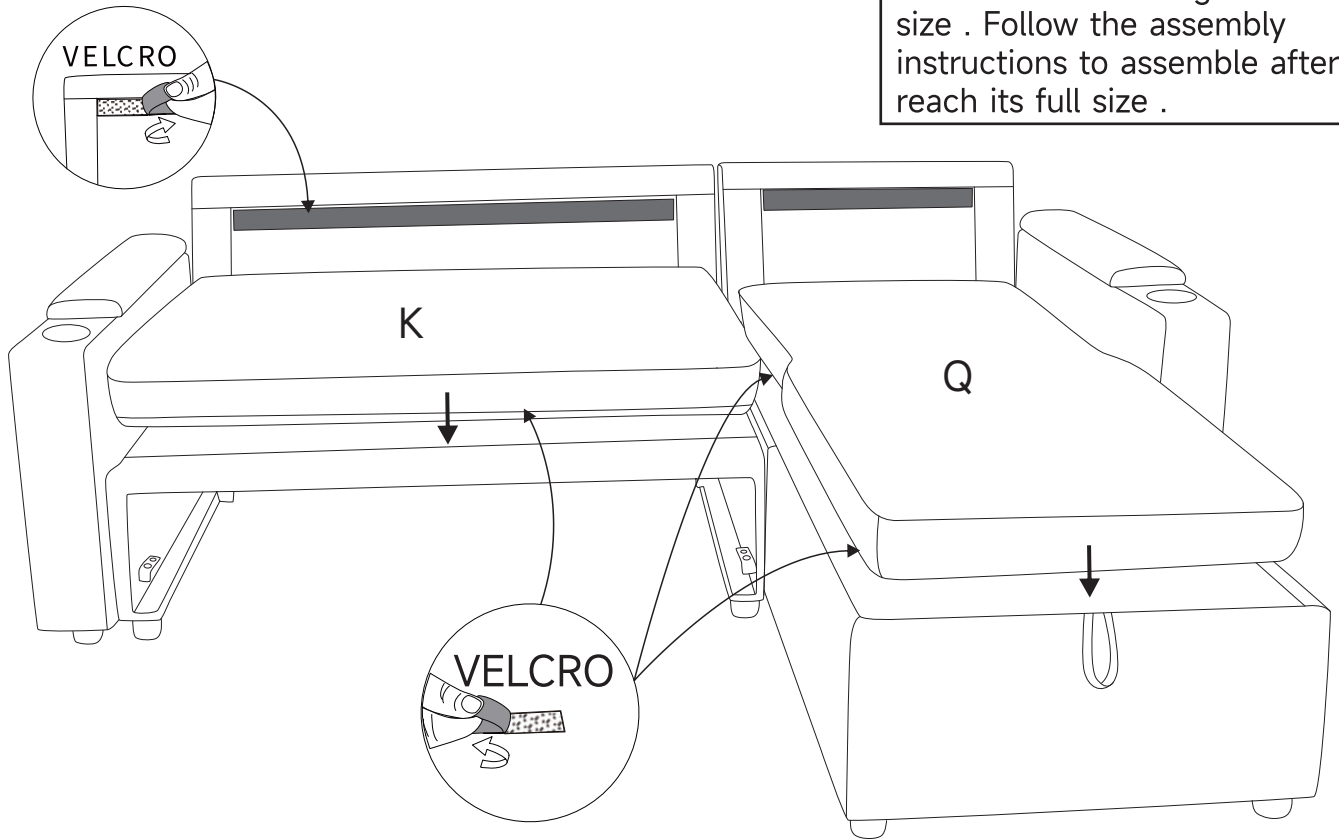


This chaise longue be on the left or the right, please instal it according to your needs.



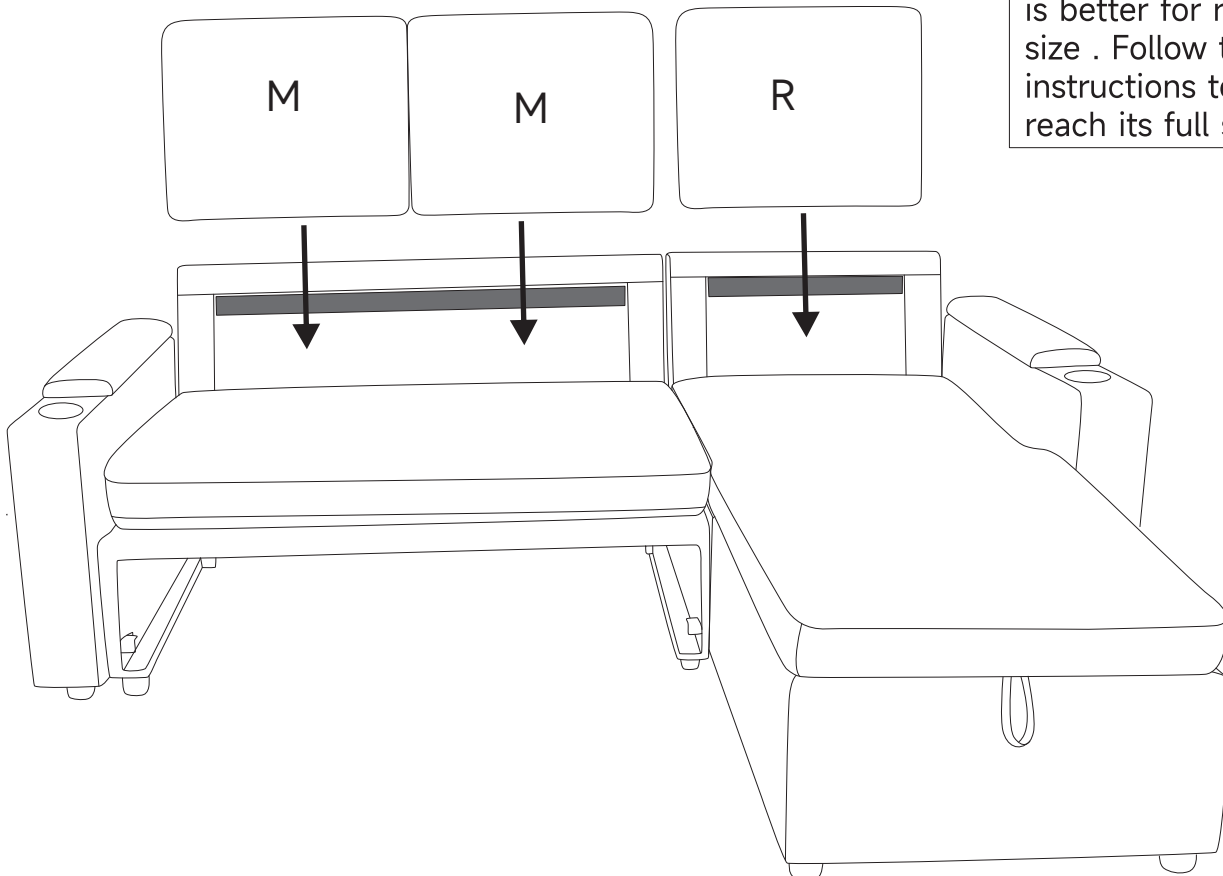
## STEP 14

The cushion is in compression package . Just take out and plump up for hours . 48 hours is better for reaching its full size . Follow the assembly instructions to assemble after reach its full size .



## STEP 15

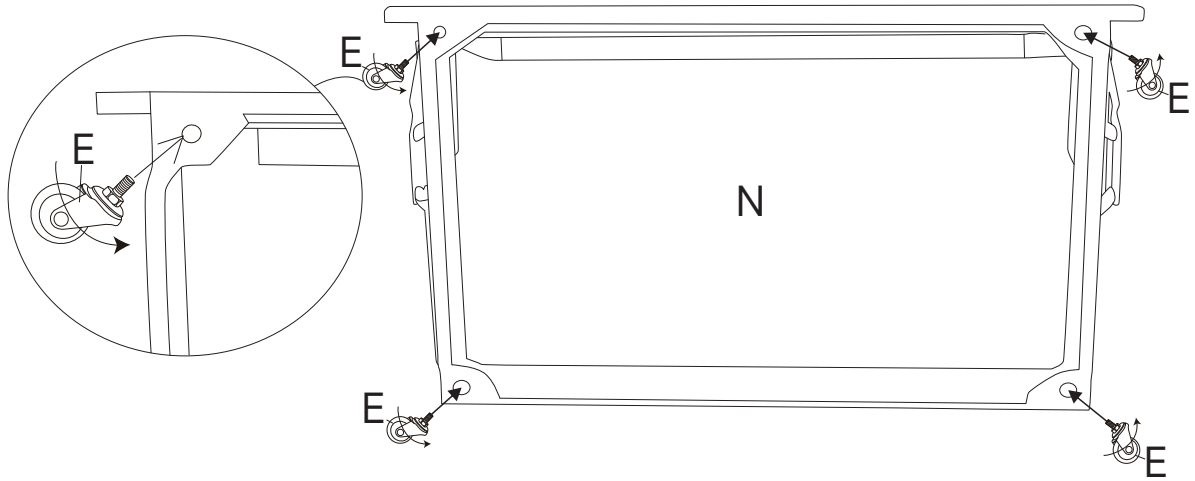
The cushion is in compression package . Just take out and plump up for hours . 48 hours is better for reaching its full size . Follow the assembly instructions to assemble after reach its full size .



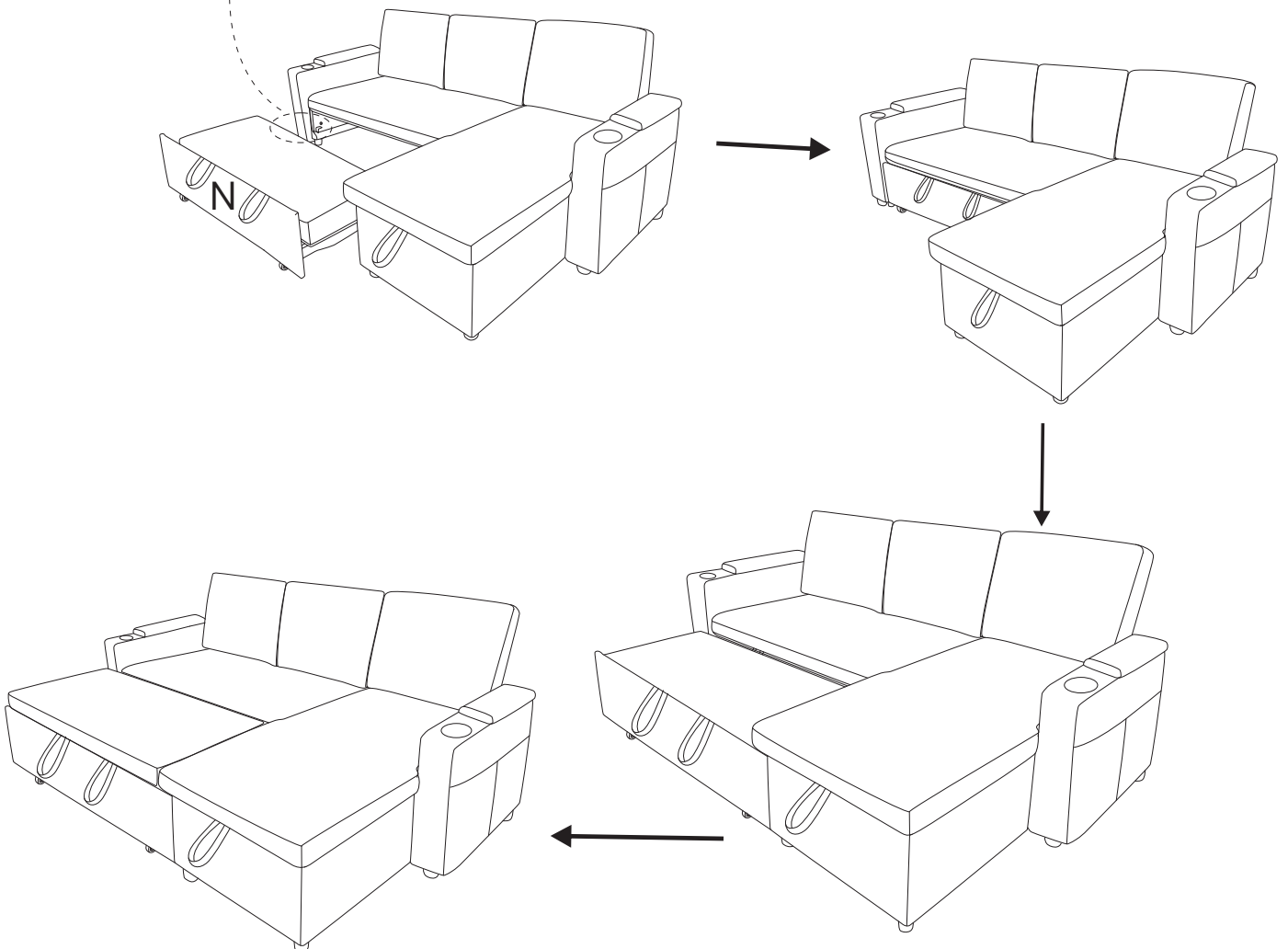
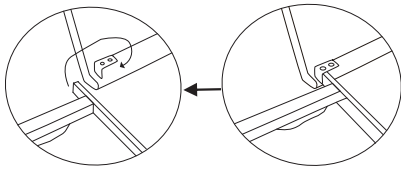
# STEP 16



EX4

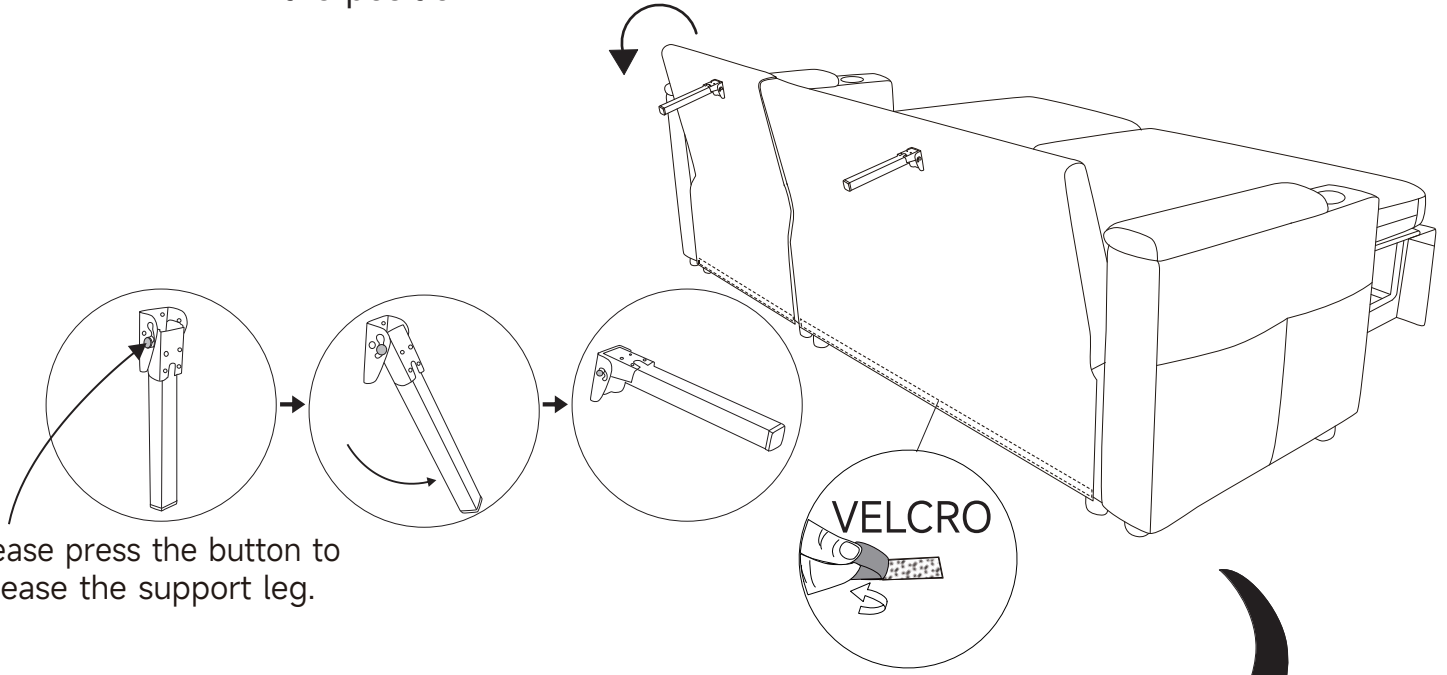


# STEP 17

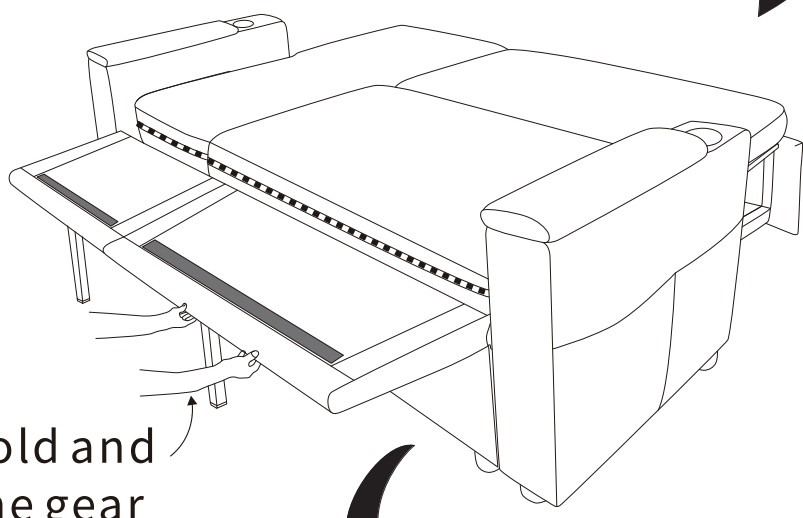


# STEP 18

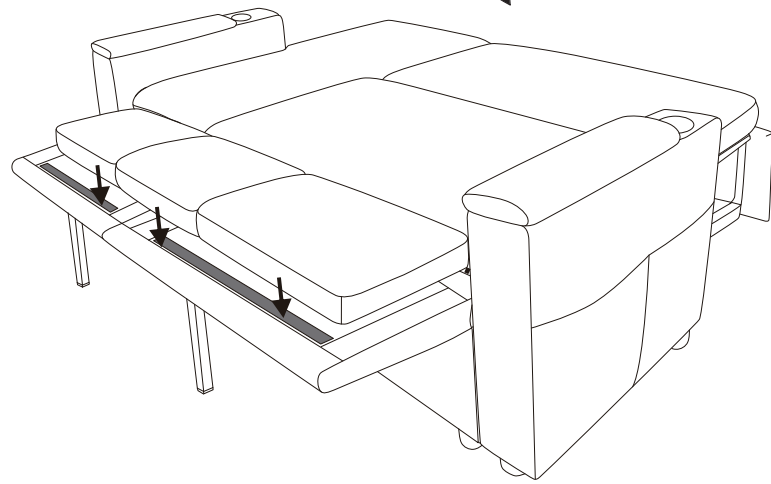
Noted: The backrest has 5 positipns.  
Push the backrest completely  
towards the seat cushion to reset  
the positioh.



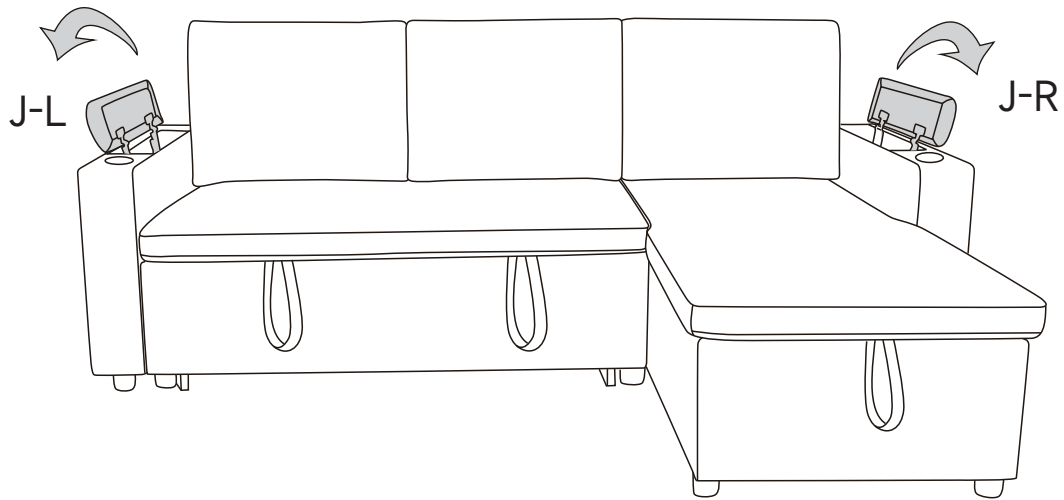
Please press the button to  
release the support leg.



Please hold and  
adjust the gear  
with both hands.



## STEP 19



### QUESTIONS? CONTACT US:

- Email: [customerservice@hkfoam.com](mailto:customerservice@hkfoam.com)

If in any case, you are not 100% happy with the item received, would you please contact us first and give us a chance to make it right for you? All of our products are covered by warranty and we will do our best to address any of your concerns. We are dedicated to your 100% satisfaction with your order.