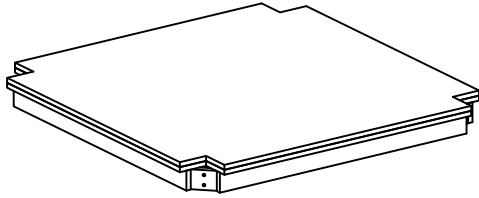


COUNTER TABLE

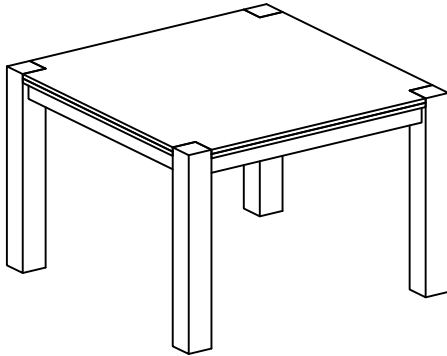
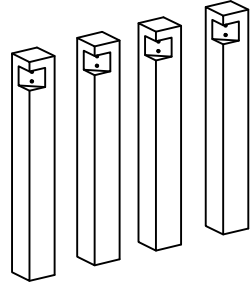
ASSEMBLY INSTRUCTIONS

PARTS PACKING CONFIGURATIONS





A. TABLE TOP 1 PC



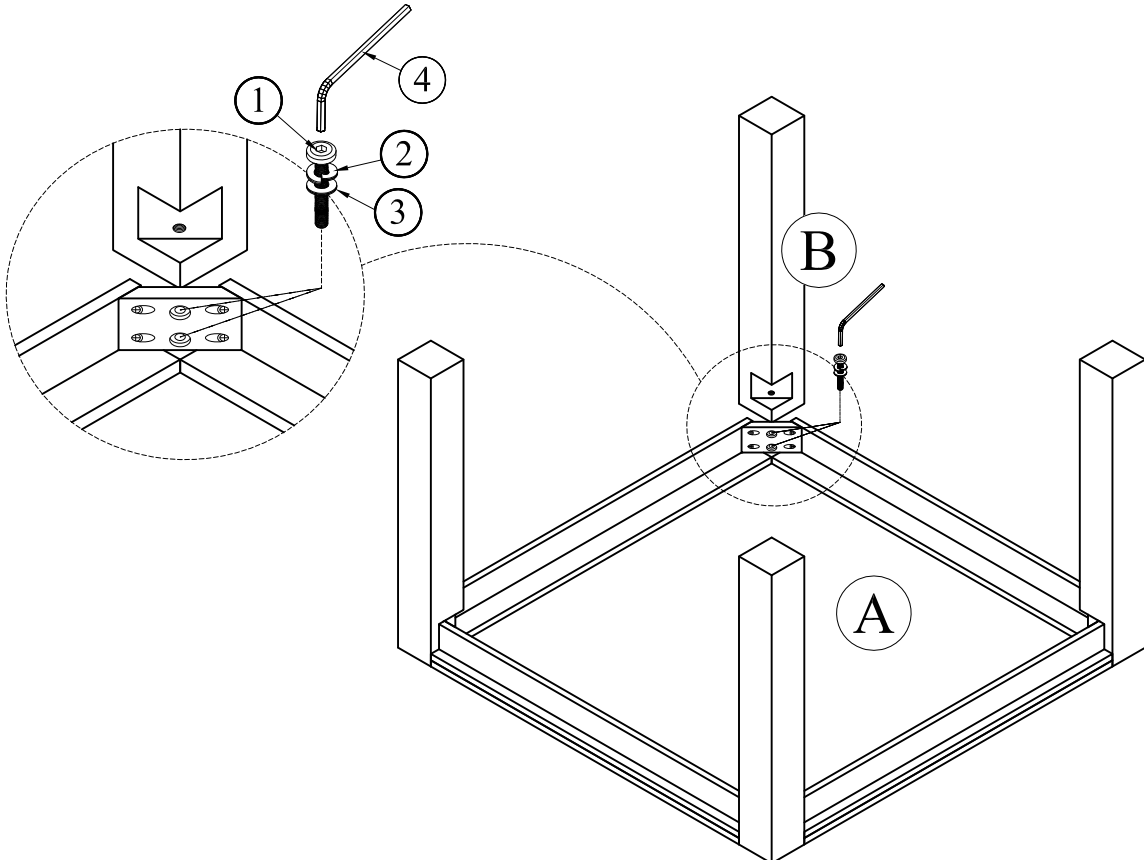
B. LEGS: 4 PCS



HARDWARE PACKED IN CARTON

NO.	DESCRIPTION	PHOTO	QUANTITY
1	ALLEN BOLT (M8x50)		8 Pcs
2	LOCK WASHER (M9)		8 Pcs
3	FLAT WASHER (M8)		8 Pcs
4	ALLEN KEY (M6x80)		1 Pc

STEP 1



COUNTER TABLE FULLY ASSEMBLED