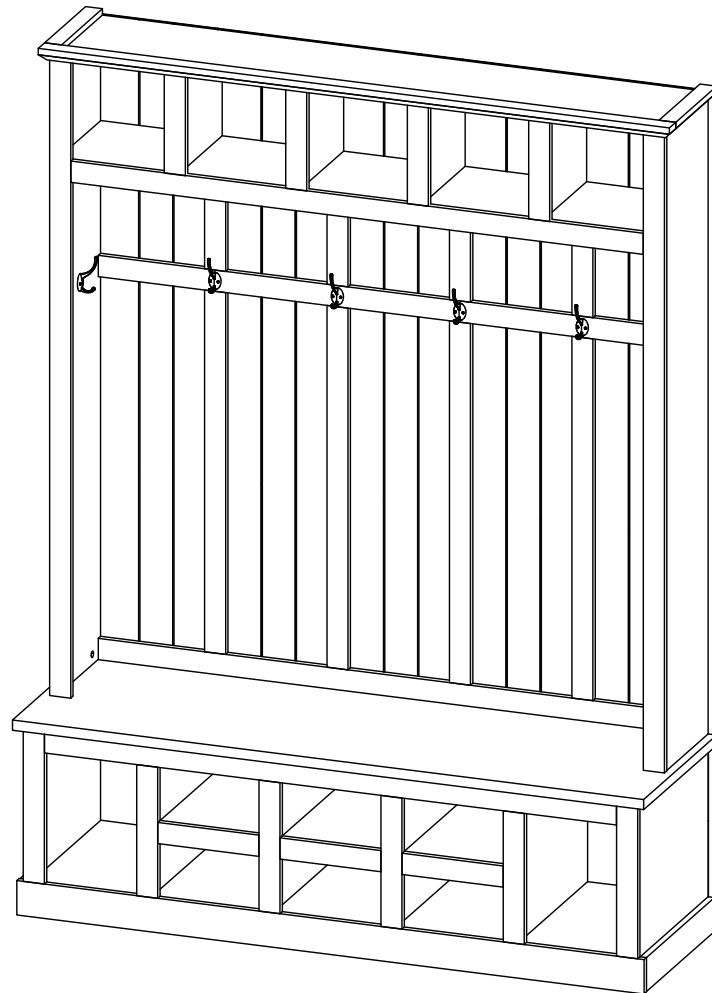


Hall Tree

Assembly Instructions - Please keep for future reference



Dimensions

Width-59.1inch

Depth-18.12inch

Height-78.51inch

Important – Please read these instructions fully before starting assembly



Safety and Care Advice

Important – Please read these instructions fully before starting assembly

- Check you have all the components and tools listed on the following pages.
- Remove all fittings from the plastic bags and separate them into their groups.
- Keep children and animals away from the work area, small parts could choke if swallowed.
- Make sure you have enough space to layout the parts before starting.

- During assembly do not stand or put weight on the product, this could cause damage.
- Assemble the item as close to its final position (in the same room) as possible.
- Assemble on a soft level surface to avoid damaging the unit or your floor.
- Parts of the assembly will be easier with 2 people.



power drill is set on a low torque setting.

- To reduce the likelihood of damaging your product please ensure that your

Care and maintenance

- Only clean using a damp cloth and mild detergent, do not use bleach or abrasive cleaners.

- From time to time check that there are no loose screws on this unit.

- This product should not be discarded with household waste. Take to your local authority waste disposal centre.

Handy Hints

- Assemble all parts and bolts loosely during assembly, only once the product is complete should you fully tighten the bolts

- Regularly check and ensure That all bolts and fittings are tightend properly.

WARNING In order to help prevent overturning – please follow these instructions

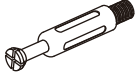

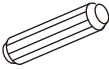
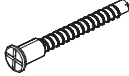
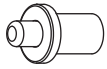




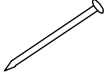
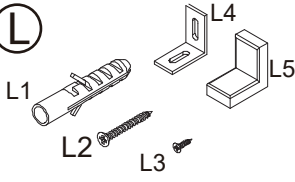
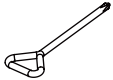
To help prevent product toppling over please follow the below steps:-

- Use the anti tip stap or wall fixing method provided (if applicable)
- Do not allow children to climb or hang on the furniture
- Do not open more than one drawer at a time
- Do not place heavy items in the top drawers
- Do not place heavy items on top of the furniture, unless the furniture has been designed for this purpose

Components-Fittings

Please check you have all the panels listed below

Note: The quantities below are the correct amount to complete the assembly. In some cases more fittings may be supplied than are required.

<p>(A)</p>  <p>Cam Bolt x 99+3</p>	<p>(B)</p>  <p>Cam Lock x 99+3</p>	<p>(C)</p>  <p>8*30mm Dowel x 46+3</p>	<p>(D)</p>  <p>5*40mm Screw x 16+2</p>
<p>(E)</p>  <p>Rotating shaft x 16+2</p>	<p>(F)</p>  <p>Perfect Fit x 99</p>	<p>(G)</p>  <p>Clothes-hook x 6</p>	<p>(H)</p>  <p>3.5*14mm Screw x 12+3</p>
<p>(J)</p>  <p>felt x 16+2</p>	<p>(K)</p>  <p>Light Belt x 118+3</p>	<p>(L)</p>  <p>Anti-dumping x 2</p>	<p>(M)</p>  <p>Screwdriver x 1</p>

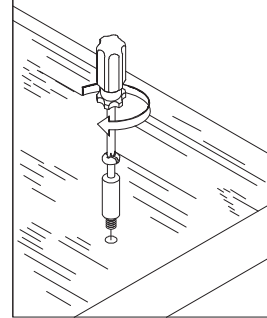
Using Camlocks

Step 1

Connect the male camlock as directed in the assembly instructions using a screwdriver.

1

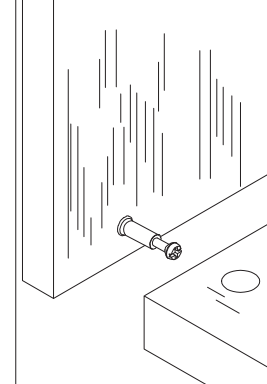
DO NOT OVER TIGHTEN.
NE PAS SERRER EXCESSIVEMENT.



Step 2

Push the male camlock into the entry hole.

2

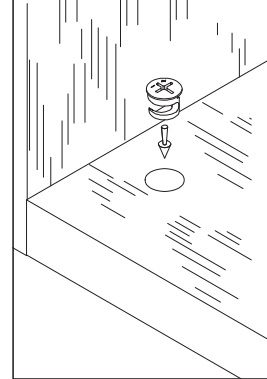


Step 3

Insert the female camlock as shown in the instruction.

Note: ensure that the arrow on the top of the camlock points towards the entry hole for the male camlock.

3



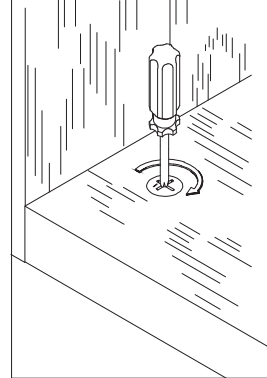
Step 4

Turn the female camlock clockwise with a screwdriver.

You should feel a click when the camlock is locked in place.

The joint is now secure.

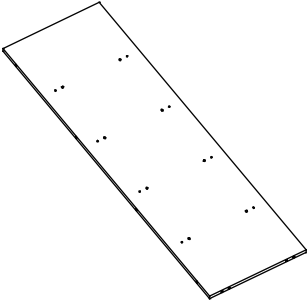
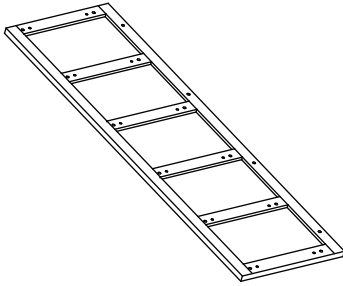
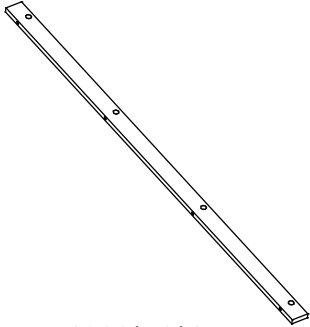
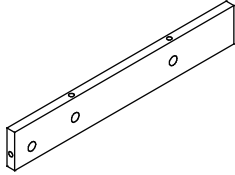
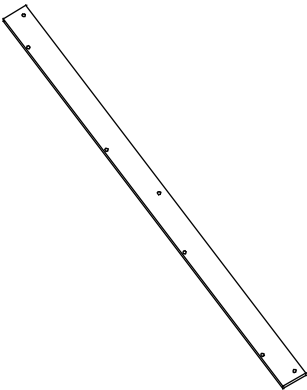
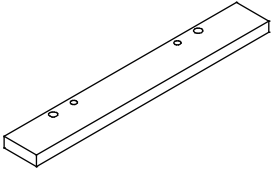
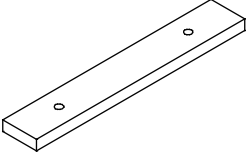
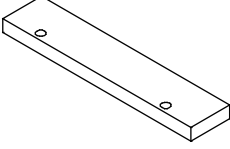
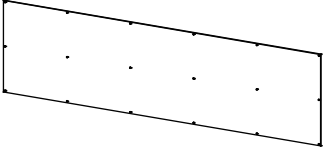
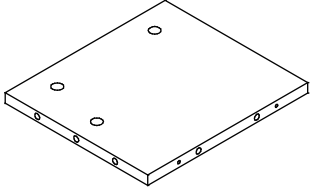
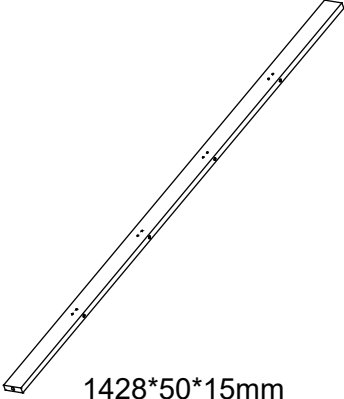
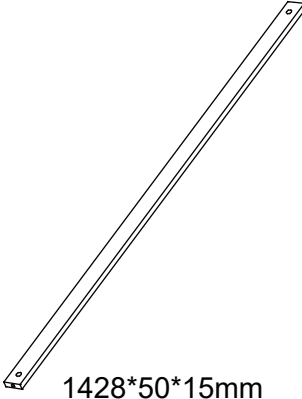
4



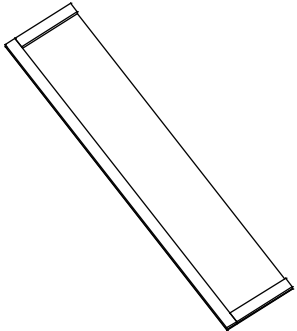


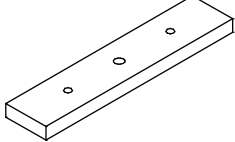
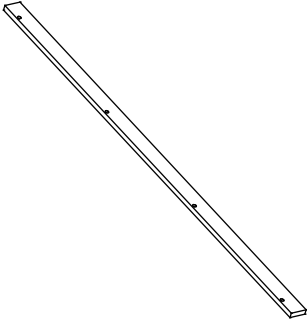
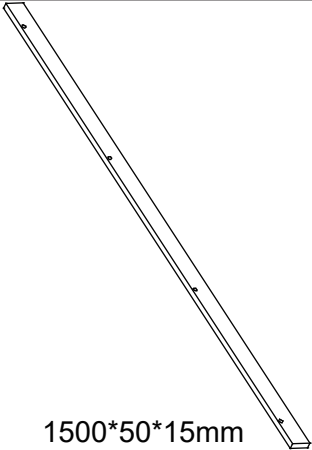
Components-Parts

Please check you have all the panels listed below
Please note that there are 2 boxes of this product.

Box A—WF326066

 <p>1428*430*15mm</p> <p>⑤ X1</p>	 <p>1500*460*24mm</p> <p>⑧ X1</p>	 <p>1360*50*15mm</p> <p>⑨ X1</p>	 <p>430*65*15mm</p> <p>⑩ X1</p>
 <p>1491*81*15mm</p> <p>⑪ X1</p>	 <p>359*50*15mm</p> <p>⑫ X2</p>	 <p>309*50*15mm</p> <p>⑬ X4</p>	 <p>241*50*15mm</p> <p>⑭ X3</p>
 <p>1458*387*4mm</p> <p>⑮ X1</p>	 <p>263*234*15mm</p> <p>⑰ X4</p>	 <p>1428*50*15mm</p> <p>⑱ X1</p>	 <p>1428*50*15mm</p> <p>⑲ X1</p>

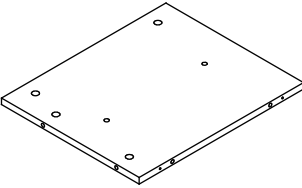
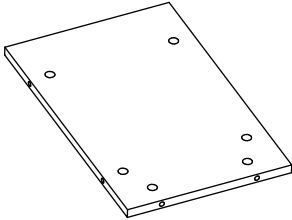
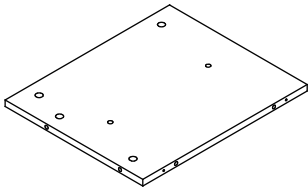
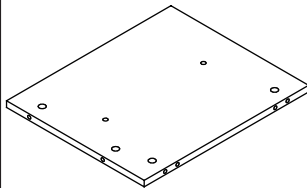
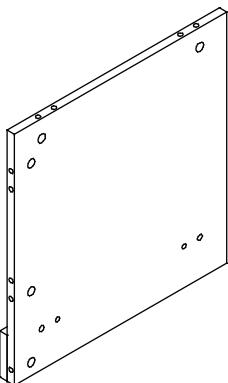
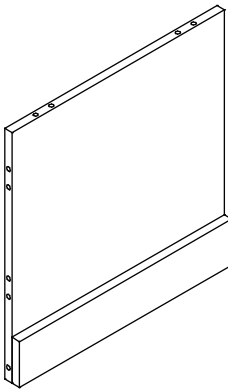
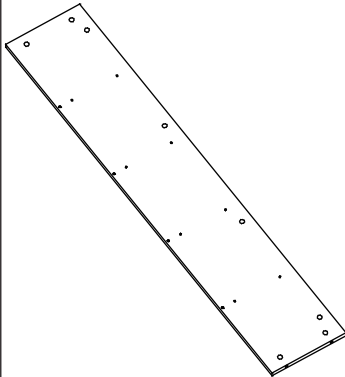
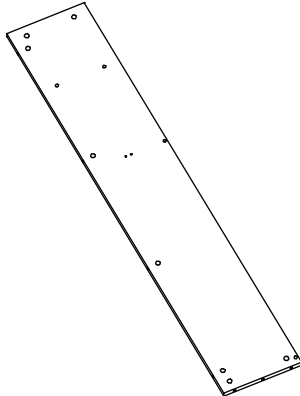
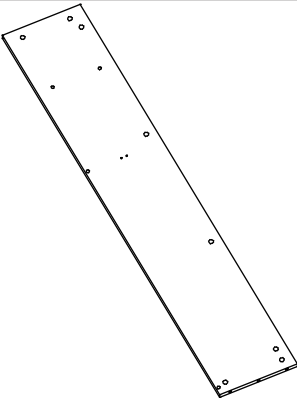
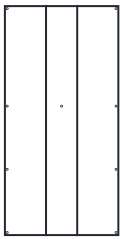
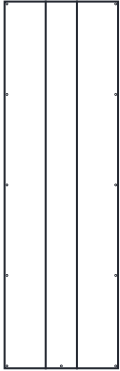
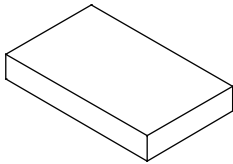
Components-Parts

 <p>1500*298*15mm</p>	 <p>853*50*15mm</p>	 <p>298*50*15mm</p>	 <p>233*50*15mm</p>
②② X1	②③ X4	②④ X4	②⑤ X4
 <p>1360*50*15mm</p>	 <p>1500*50*15mm</p>		
②⑥ X1	②⑦ X2		

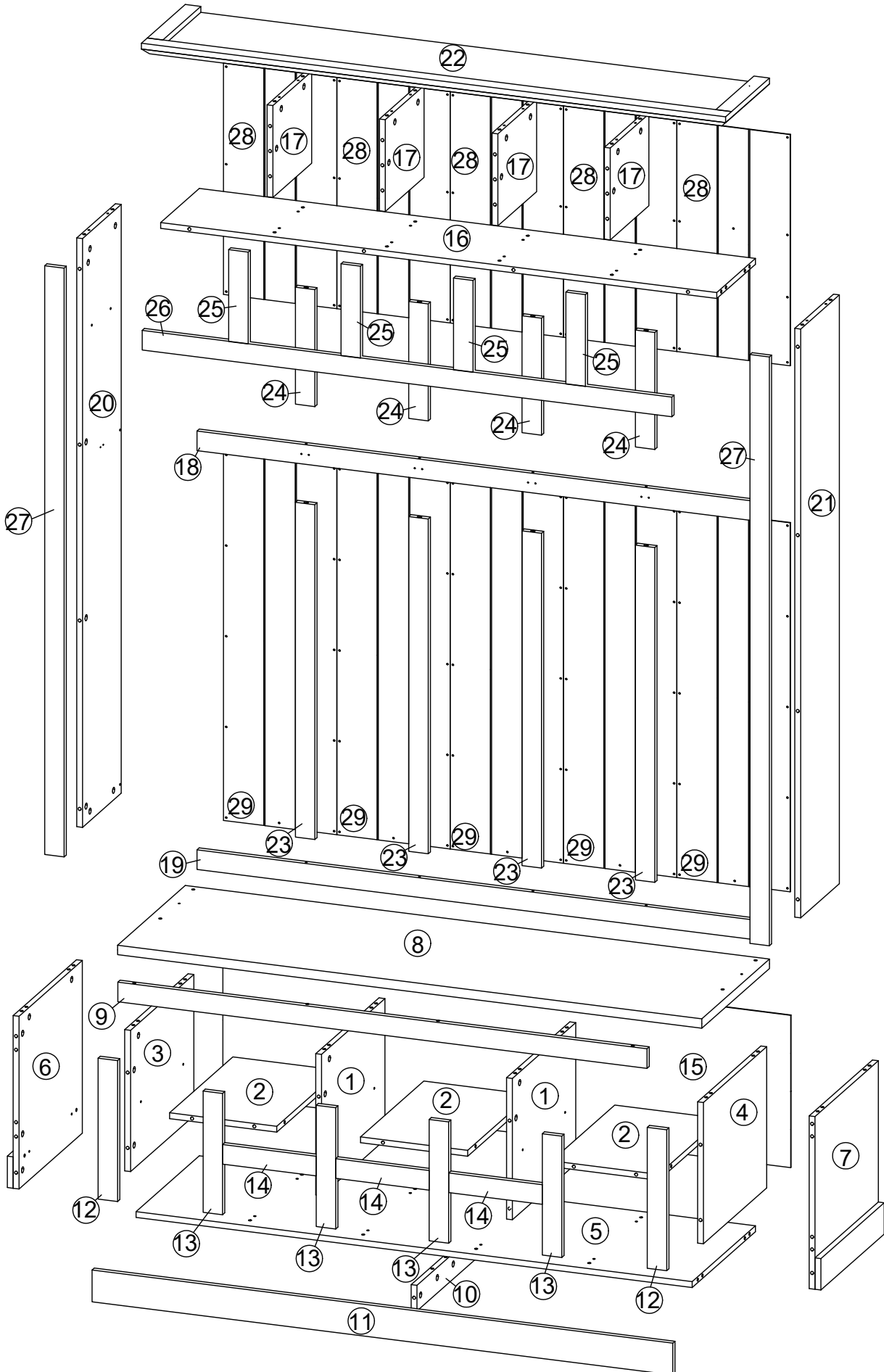
Components-Parts

Please check you have all the panels listed below
Please note that there are 2 boxes of this product.

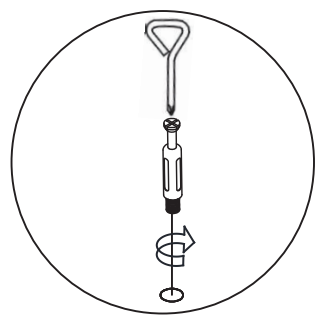
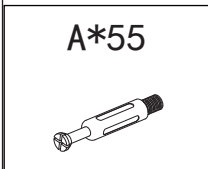
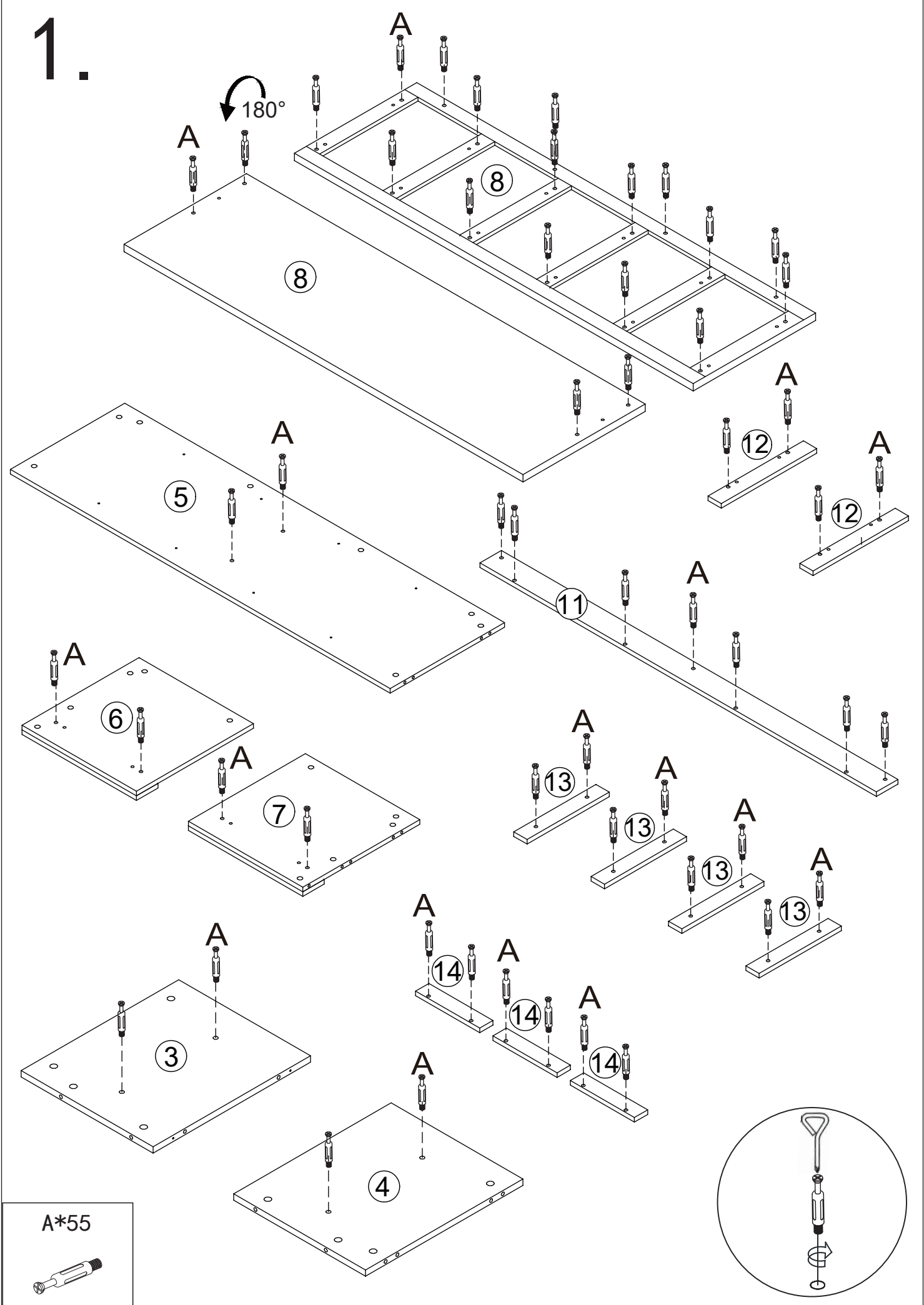
Box B—WF326067

			
430*360*15mm	430*276*15mm	430*360*15mm	430*360*15mm
① X2	② X3	③ X1	④ X1
			
440*430*30mm	440*430*30mm	1428*263*15mm	1500*263*15mm
⑥ X1	⑦ X1	⑬ X1	⑳ X1
			
1500*263*15mm	587*291*4mm	940*291*4mm	
⑳ X1	㉘ X5	㉙ X5	Hardware Pack X1

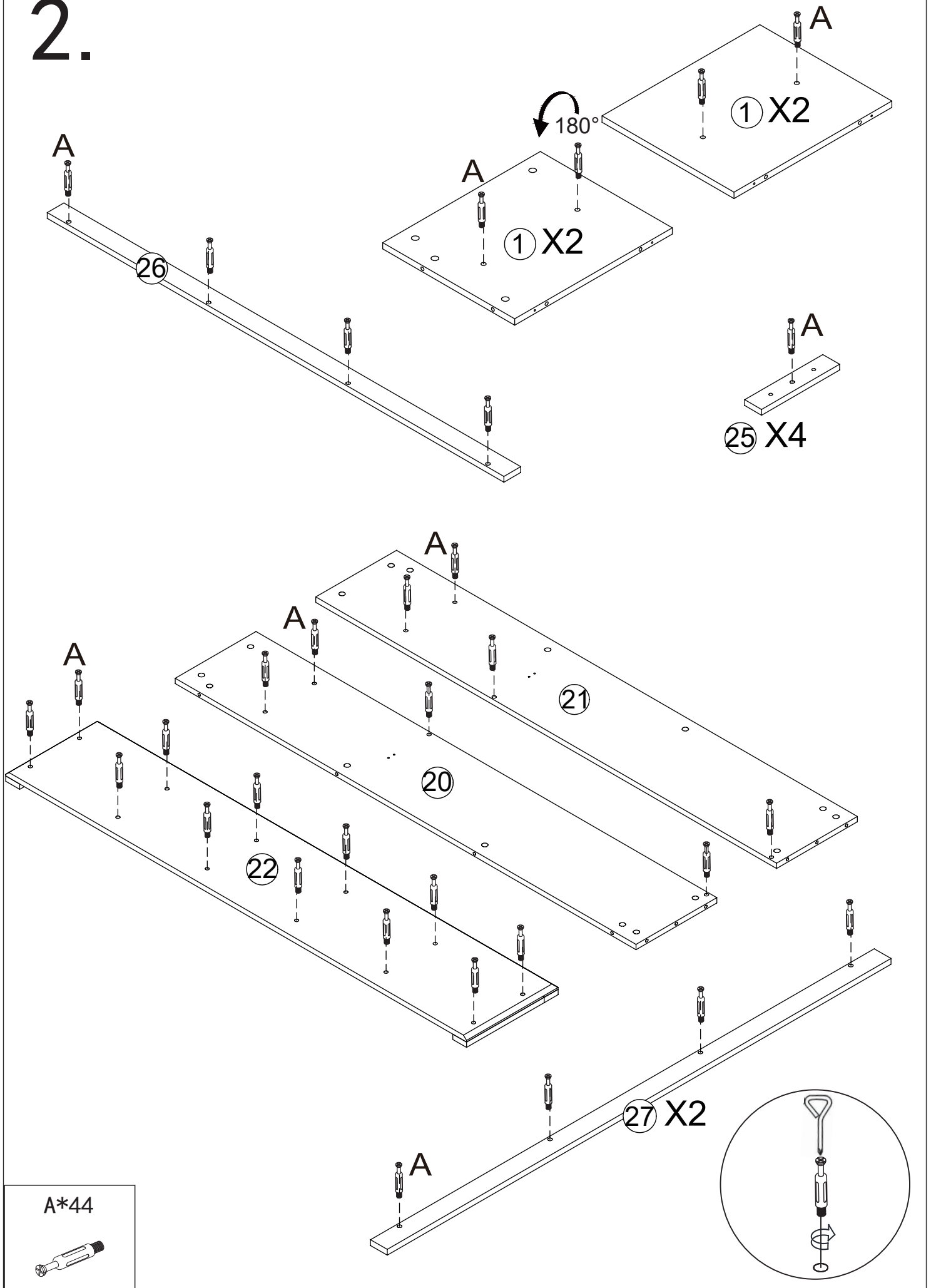
Assembly Instructions



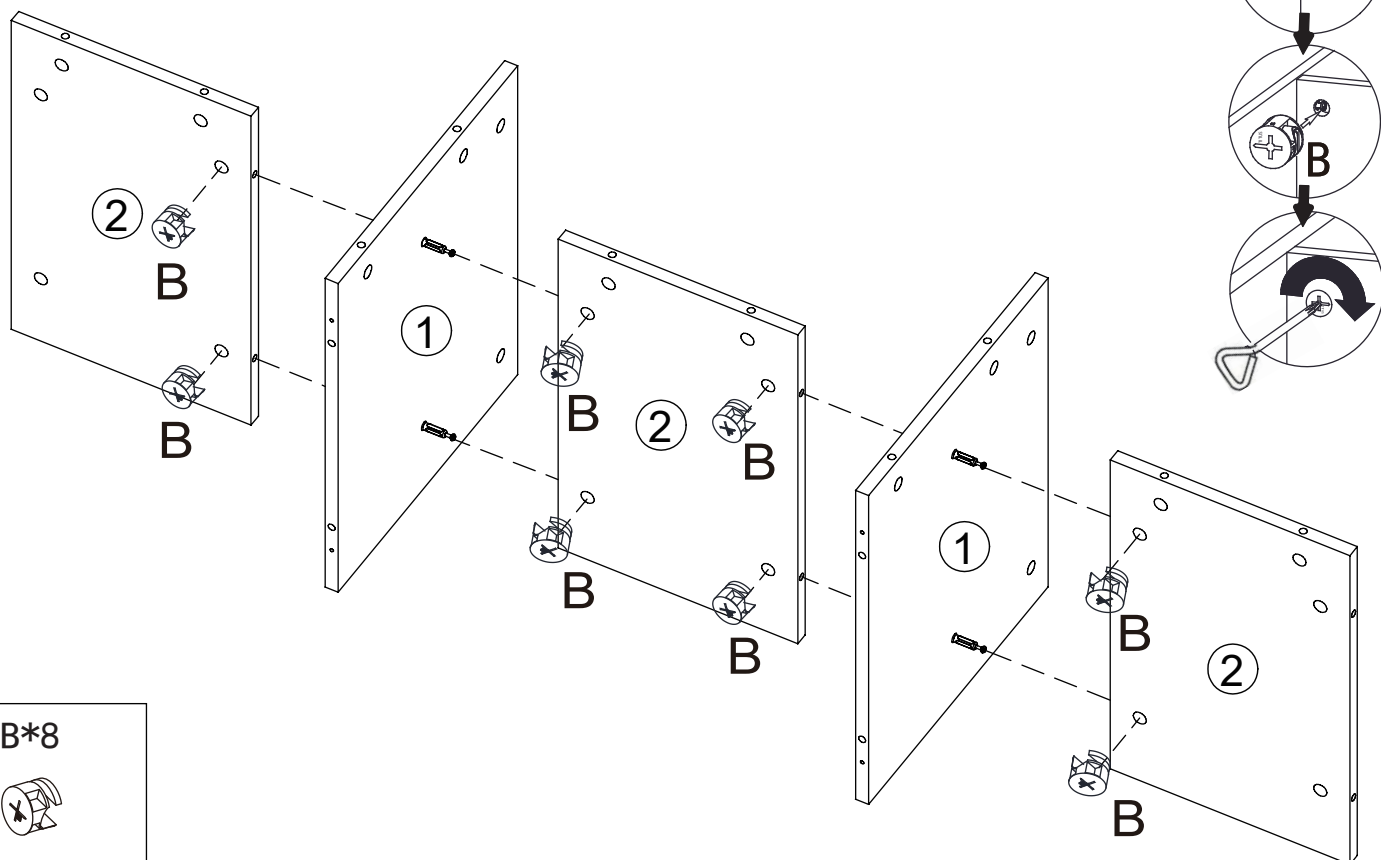
1.



2.



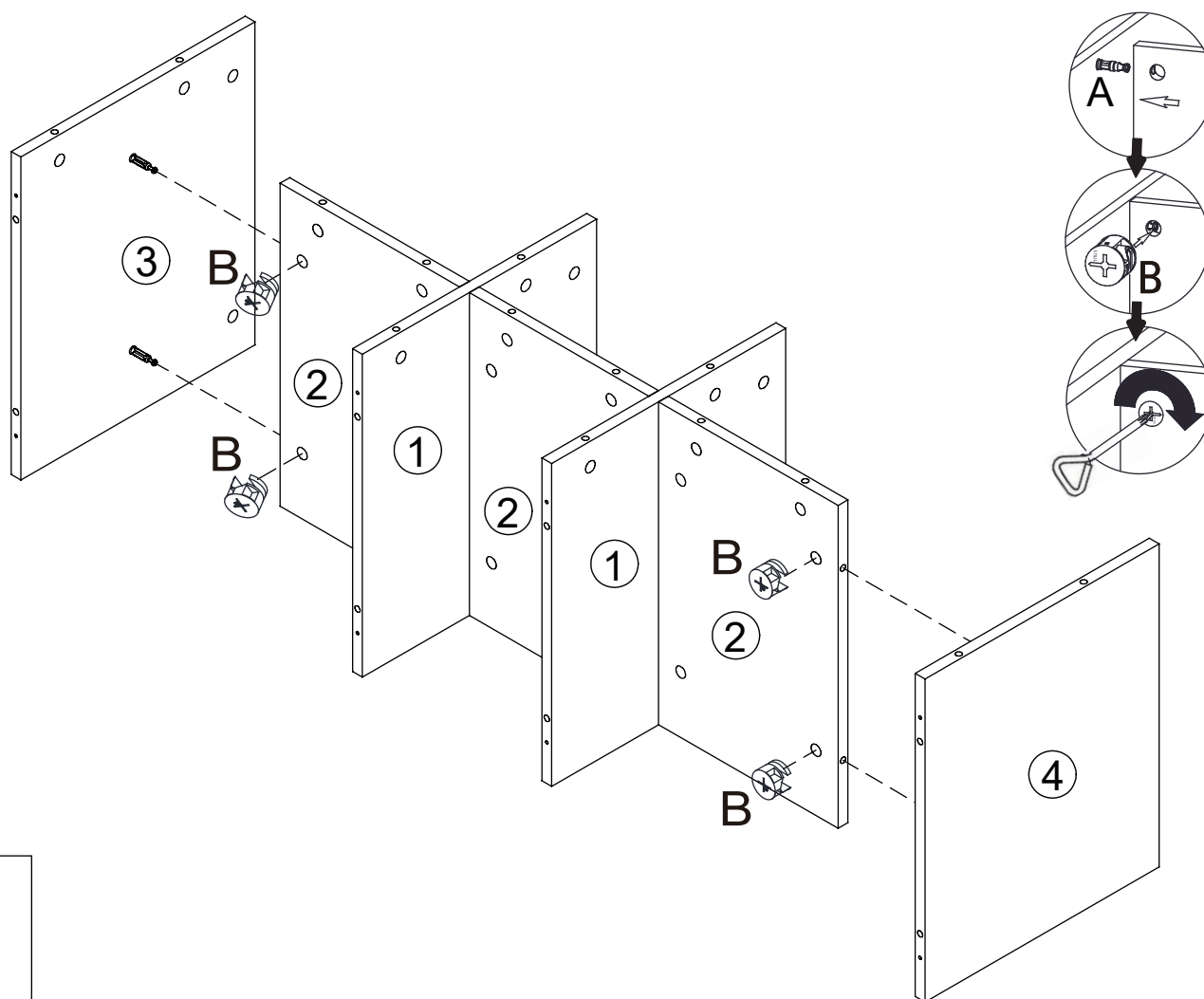
3.



B*8



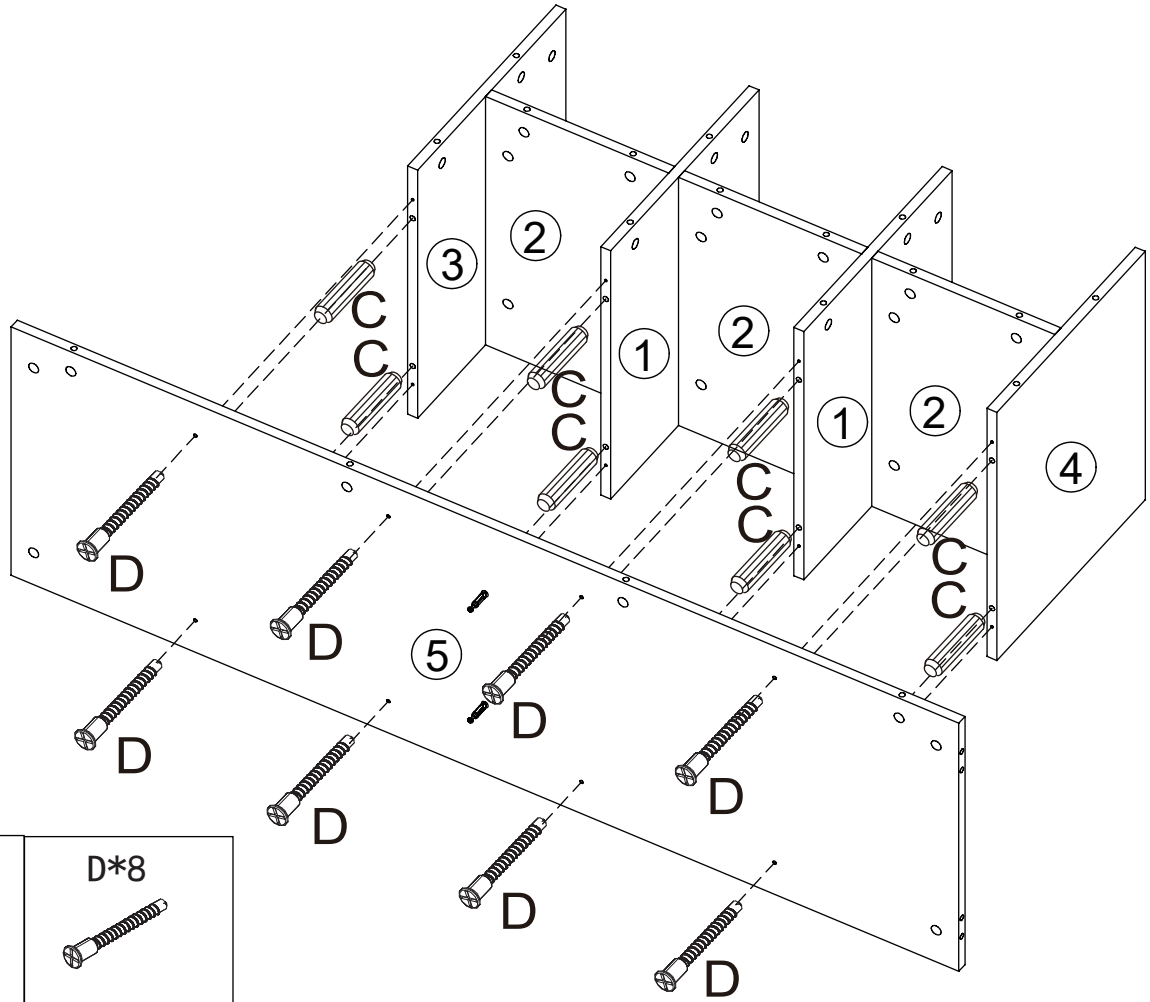
4.



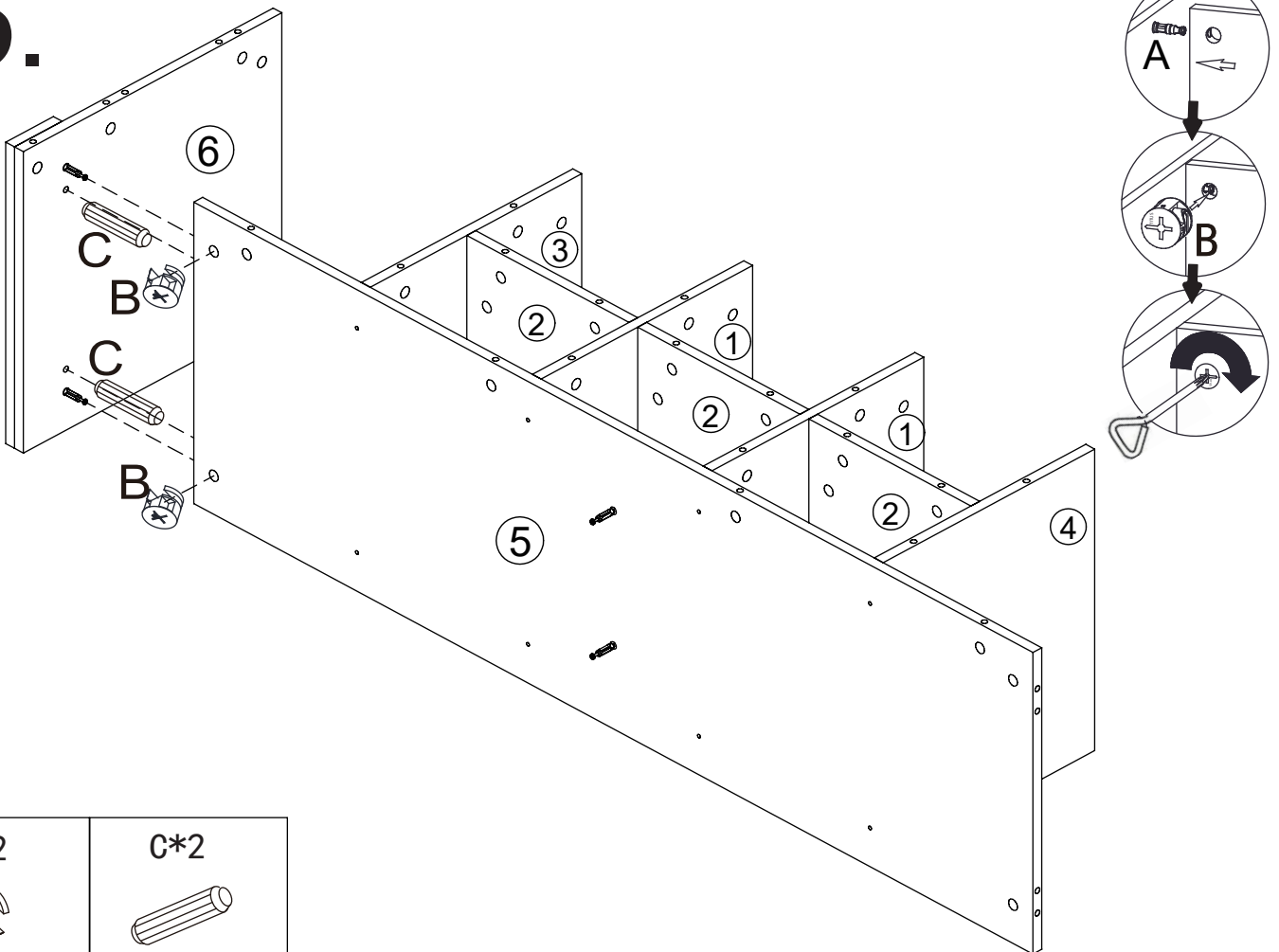
B*4



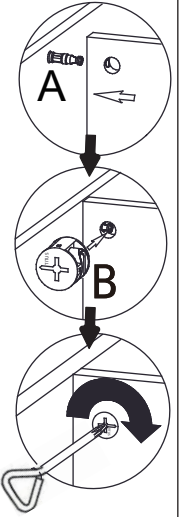
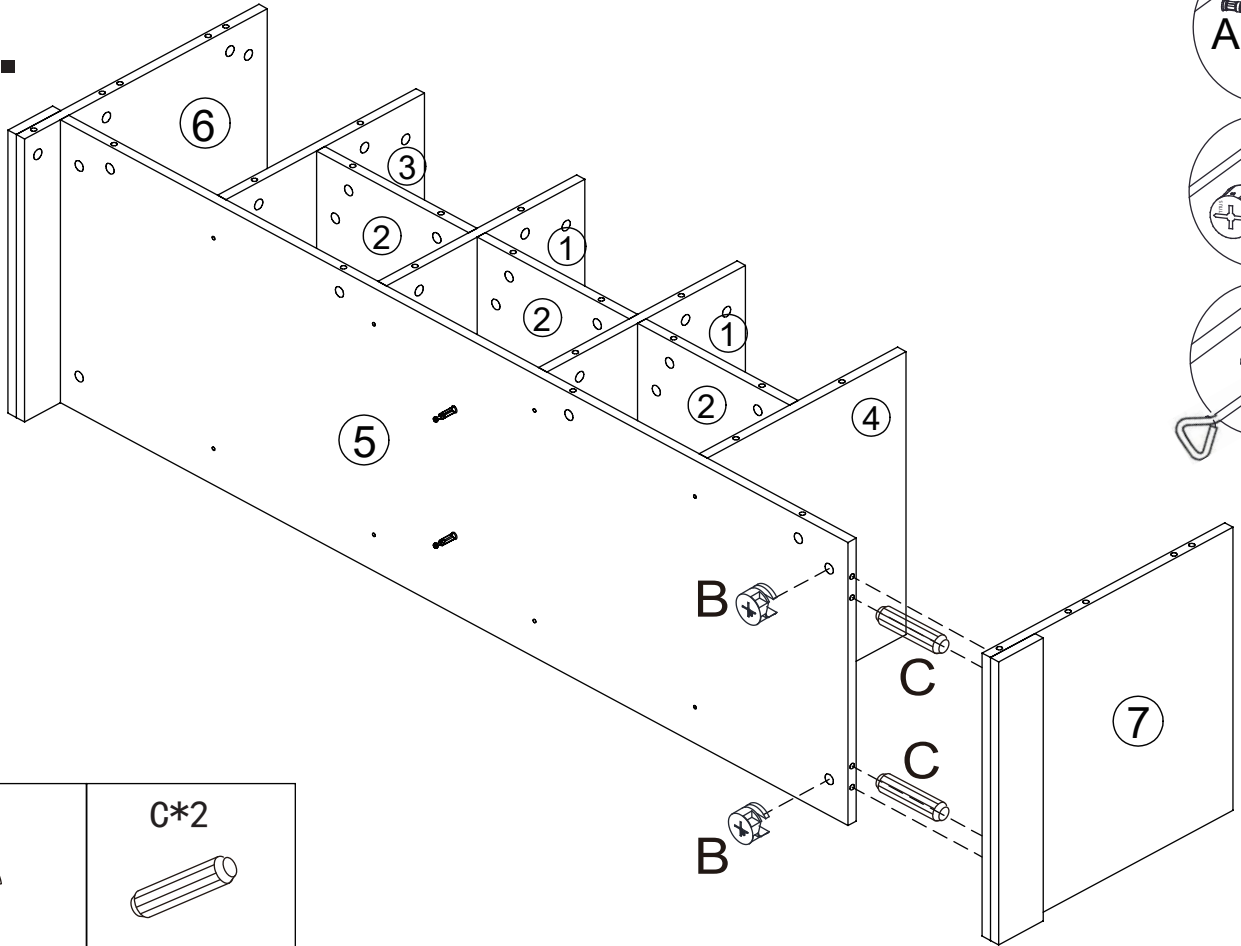
5.



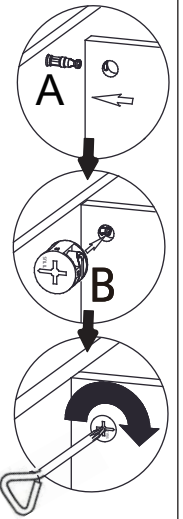
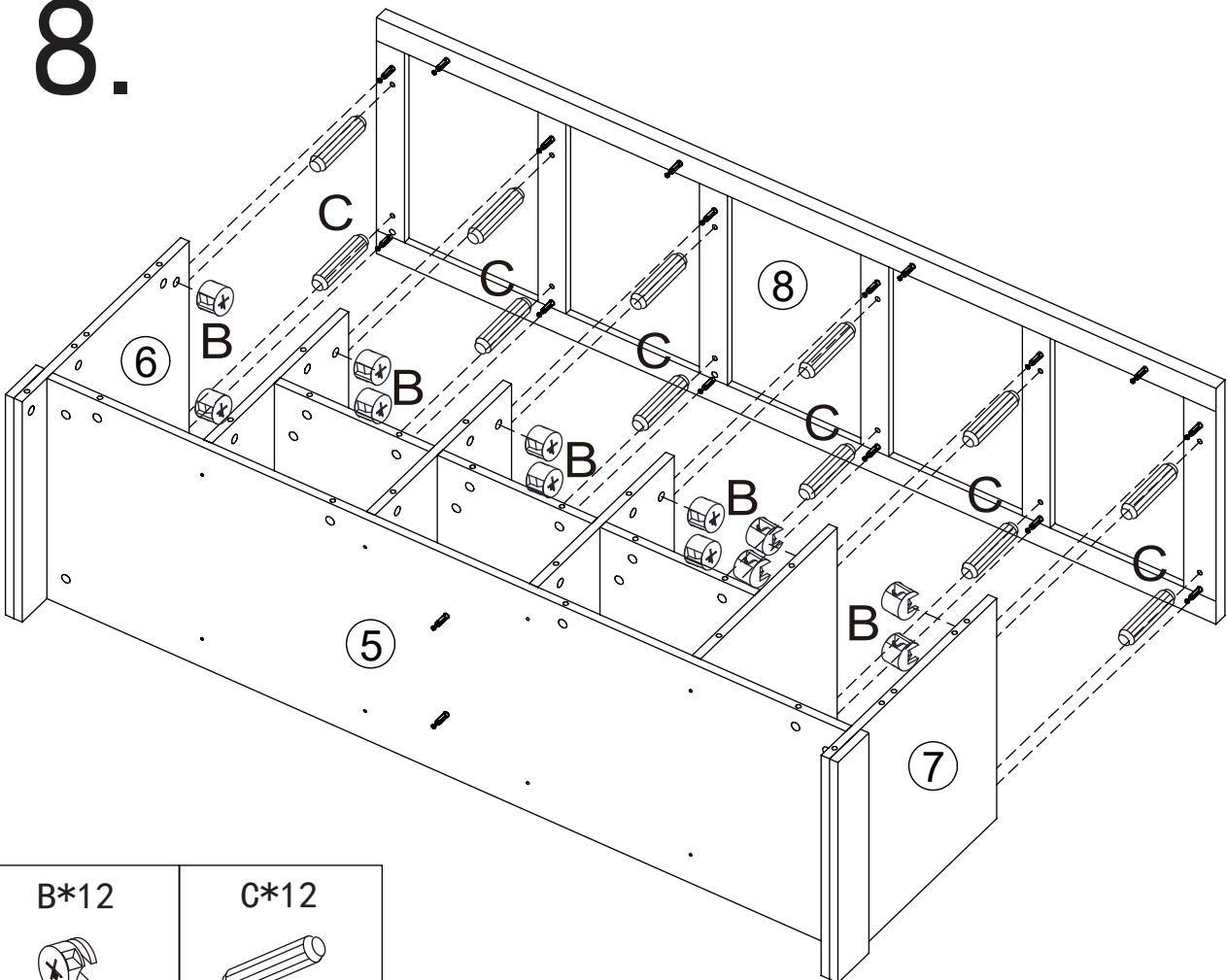
6.



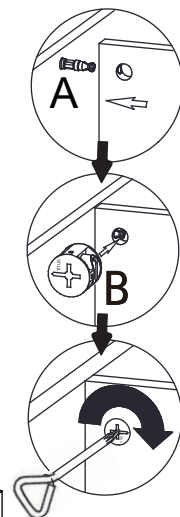
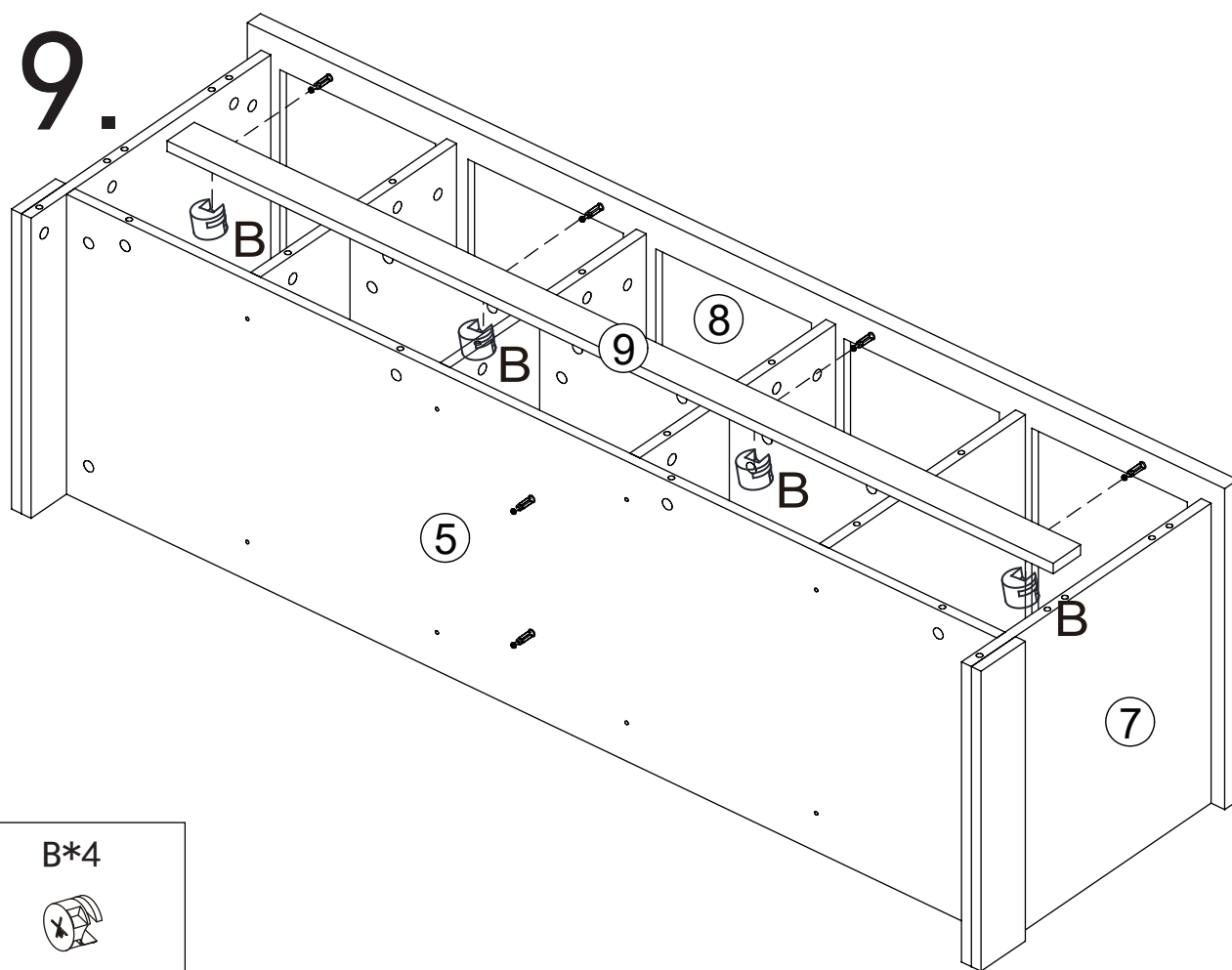
7.



8.



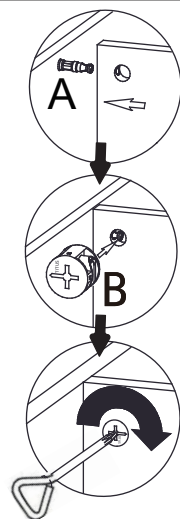
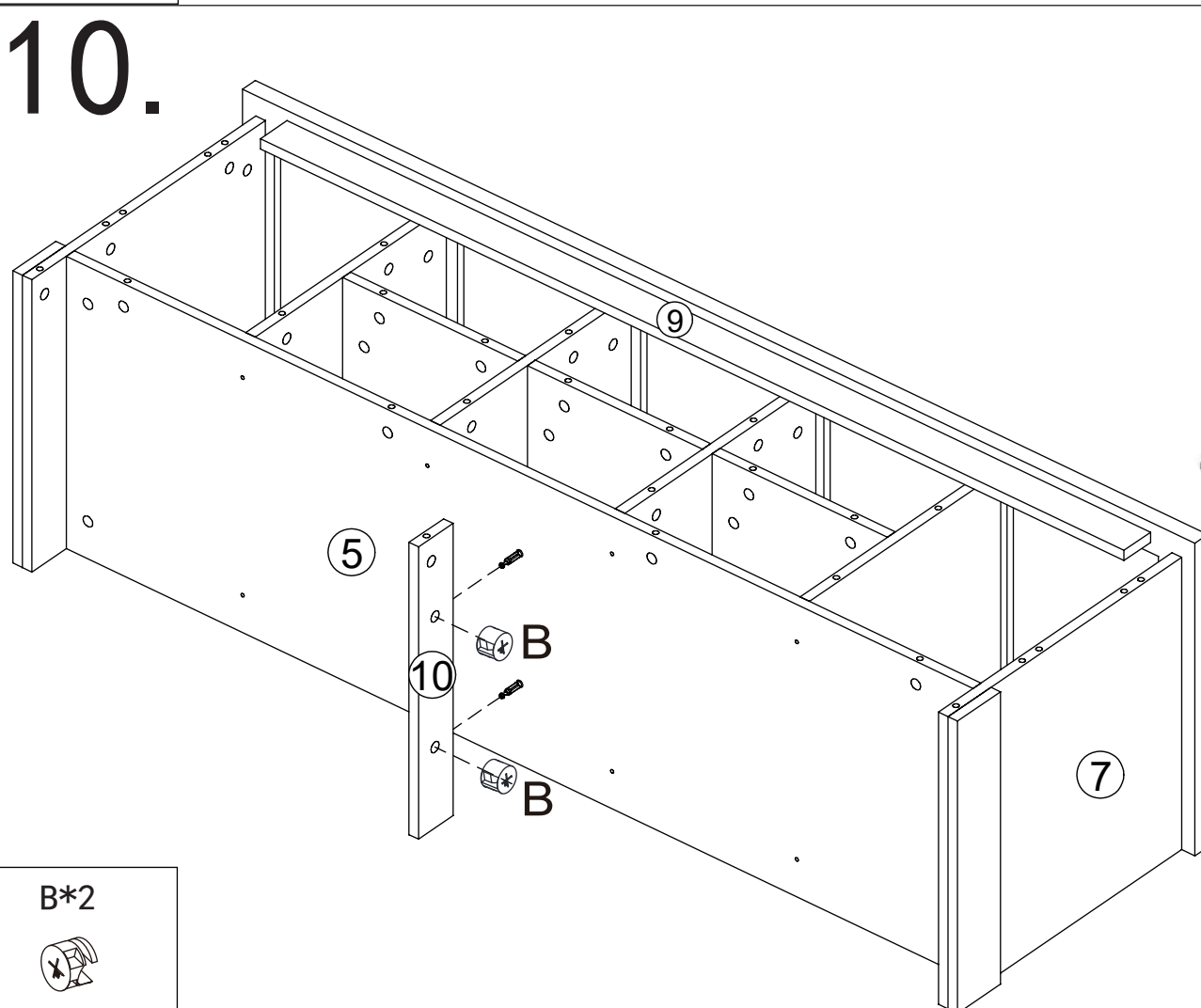
9.



B*4



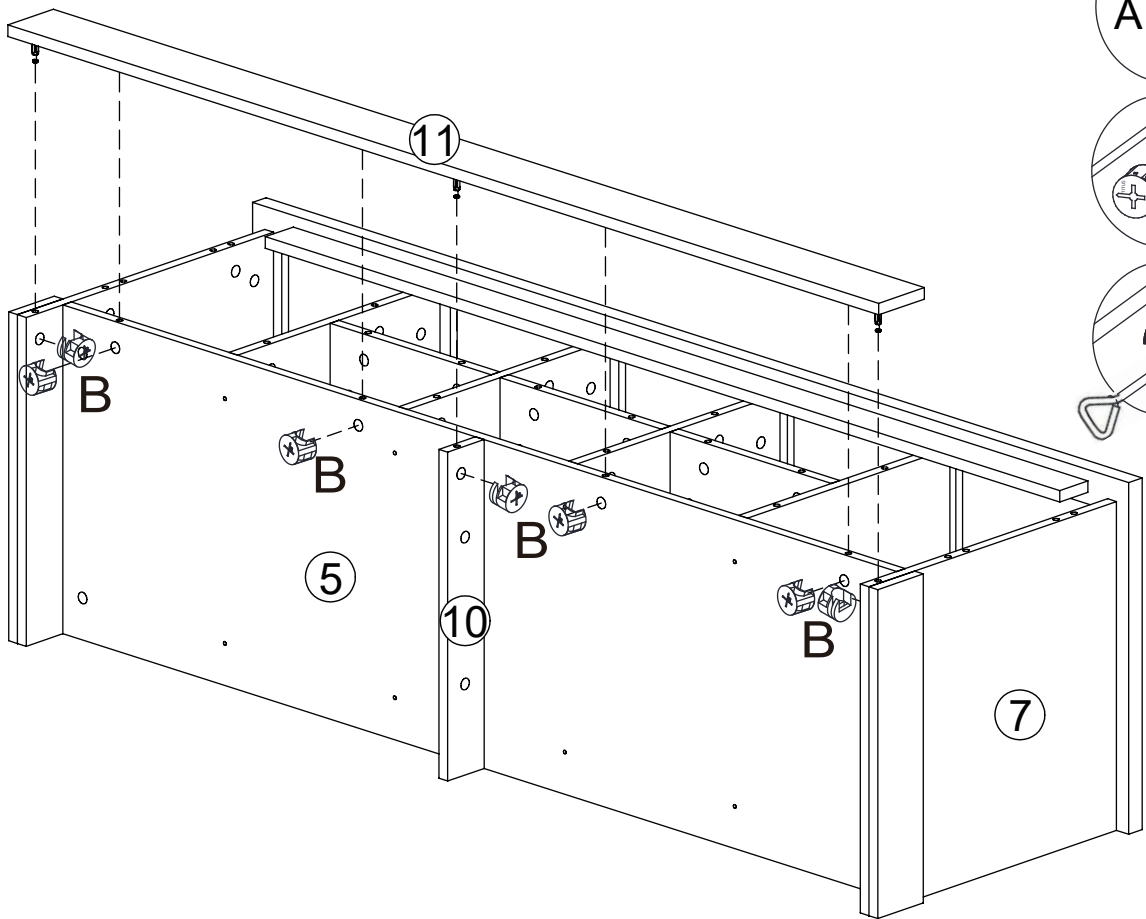
10.



B*2



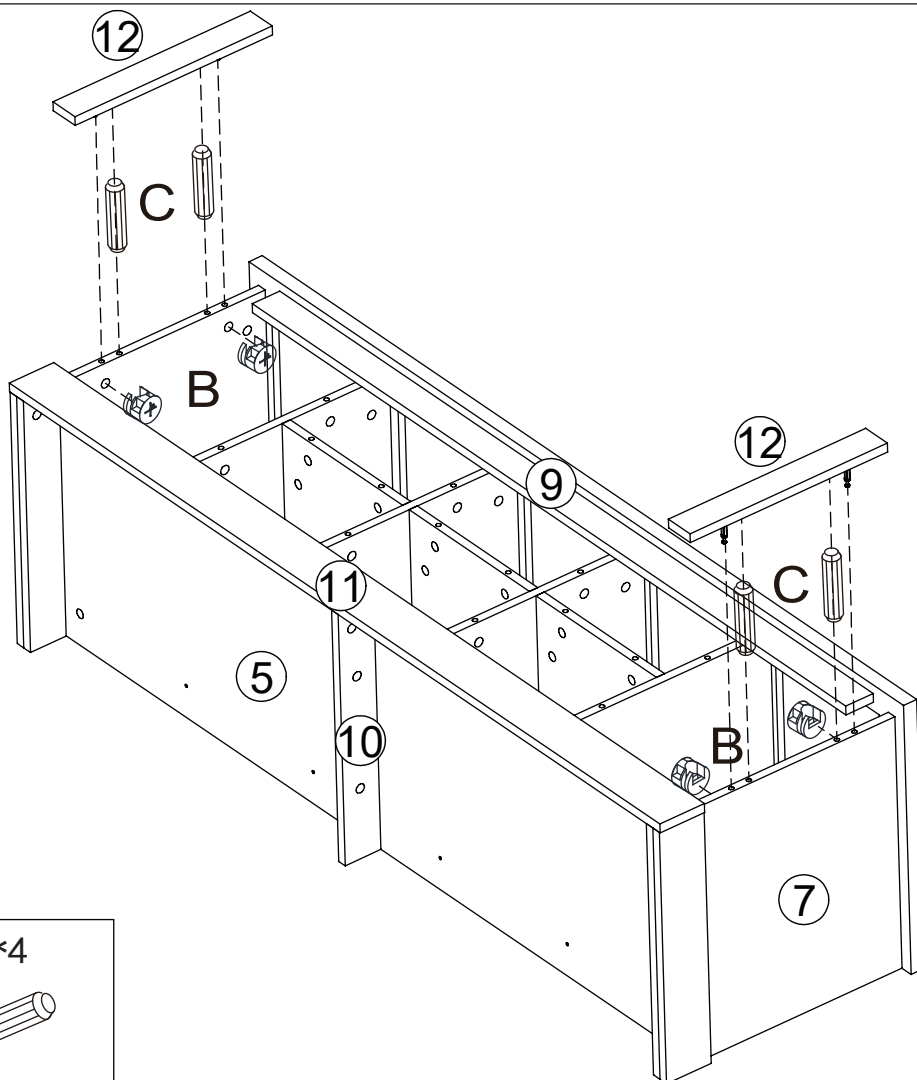
11.



B*7



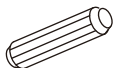
12.



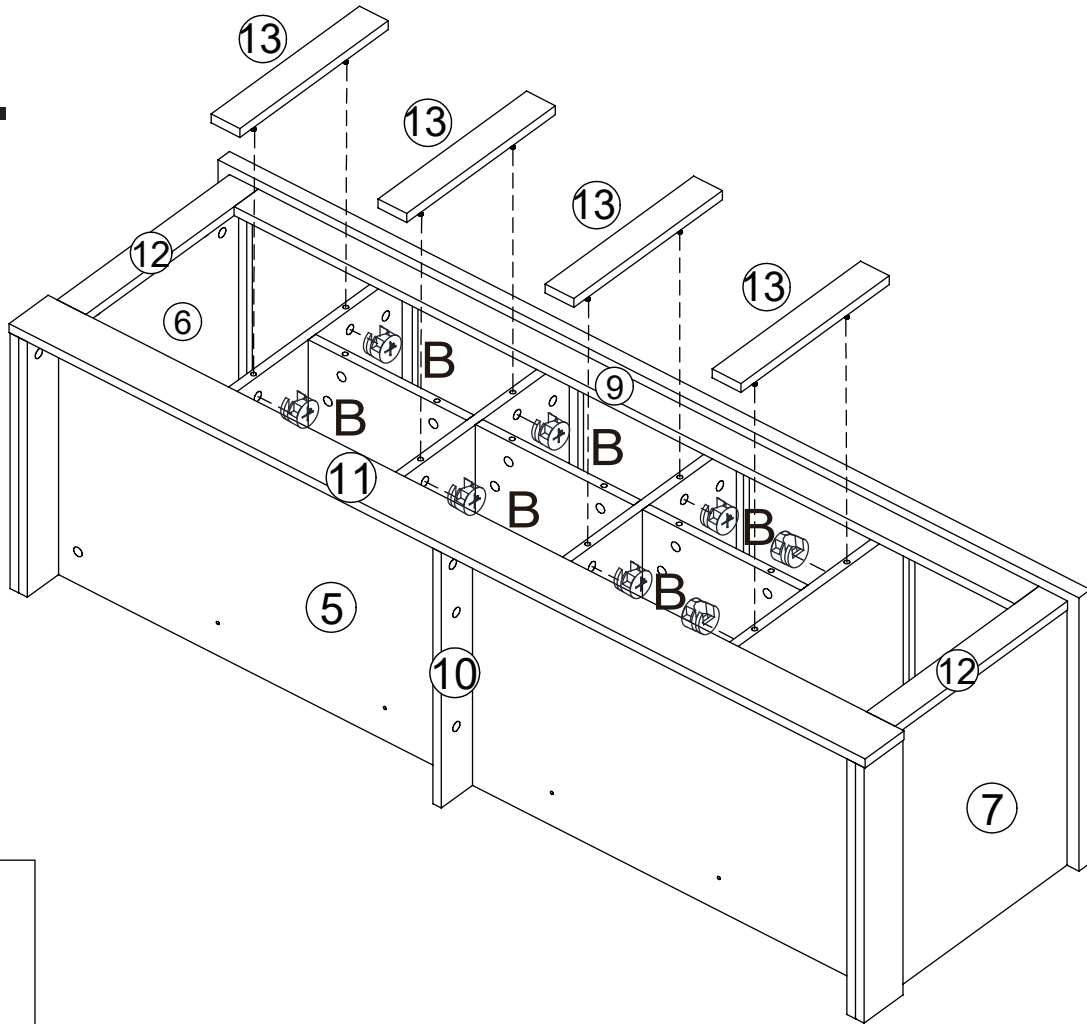
B*4



C*4



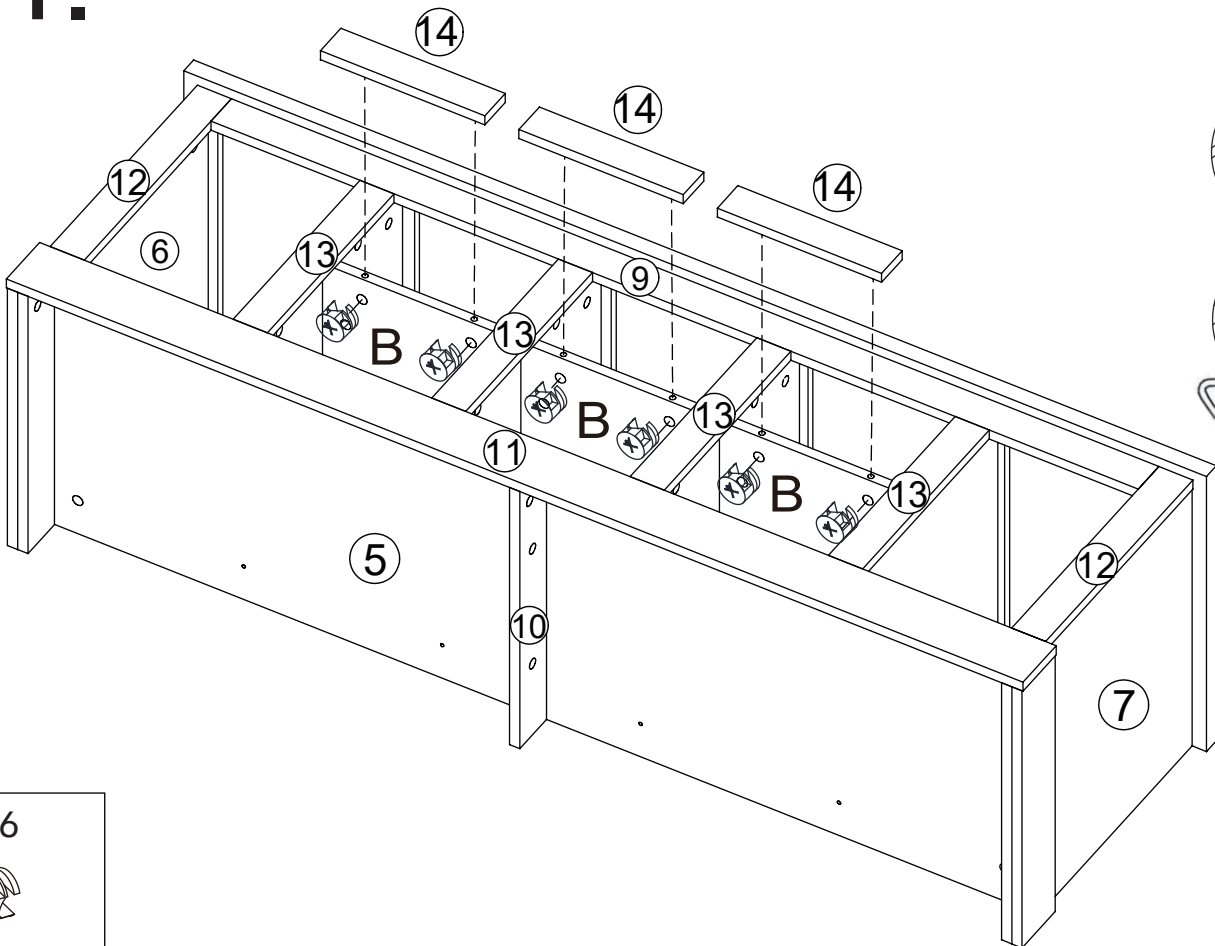
13.



B*8



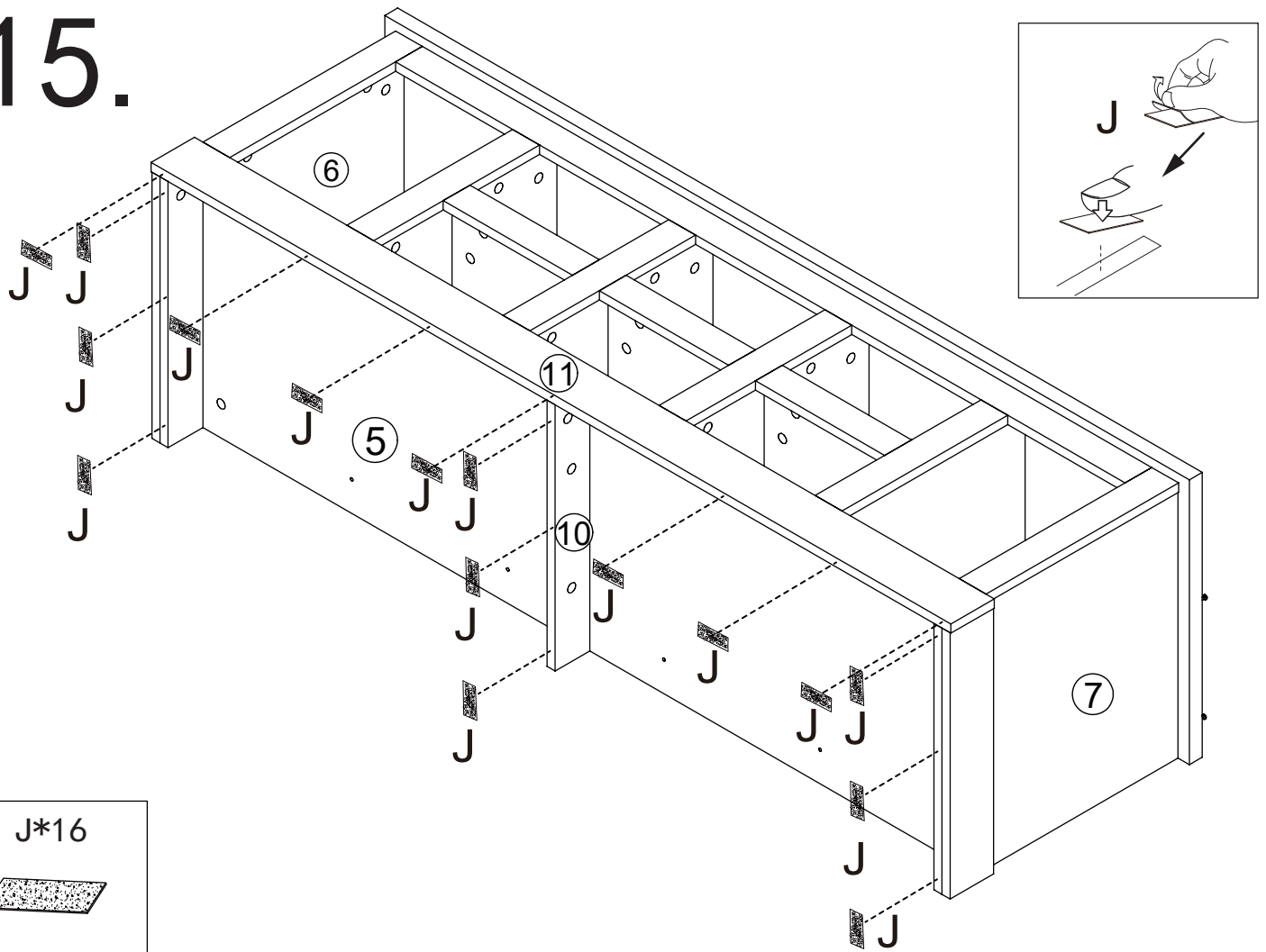
14.



B*6

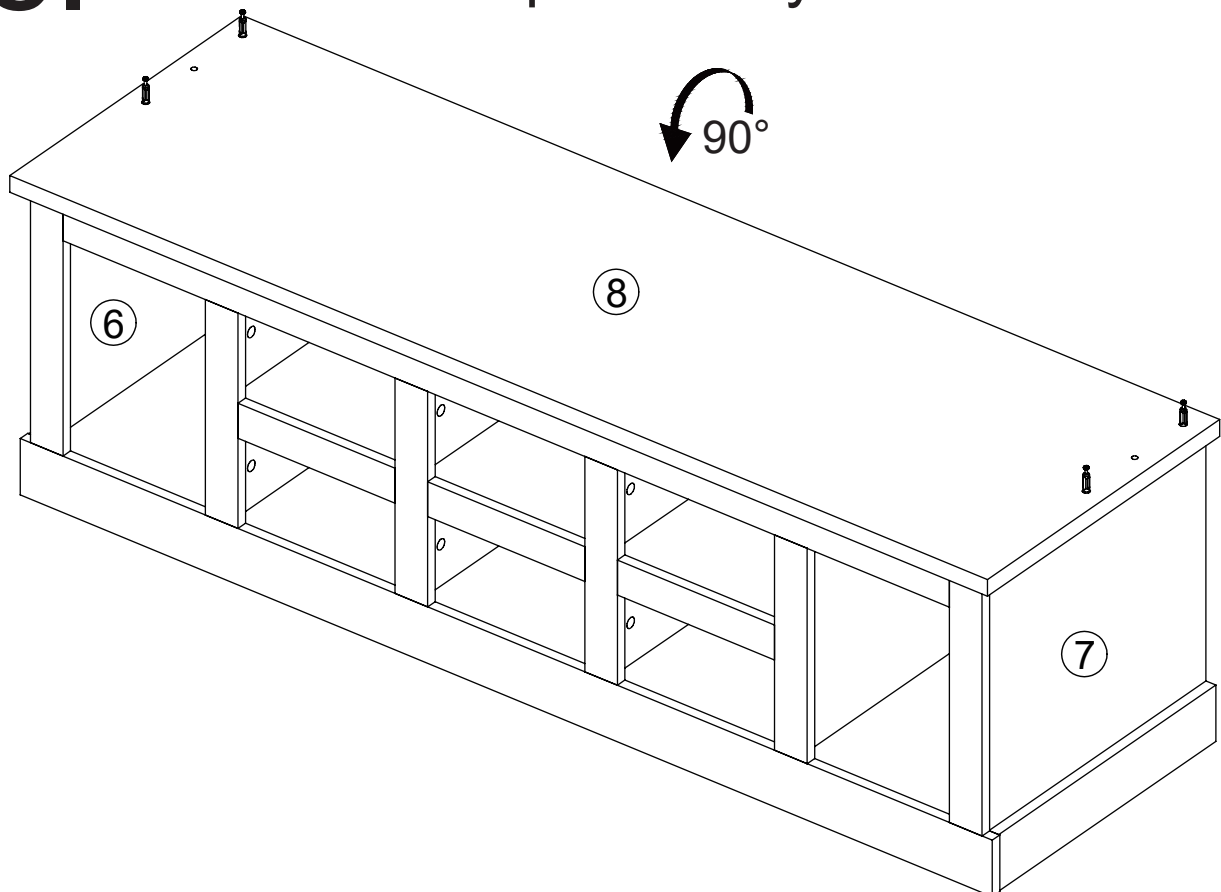


15.



16.

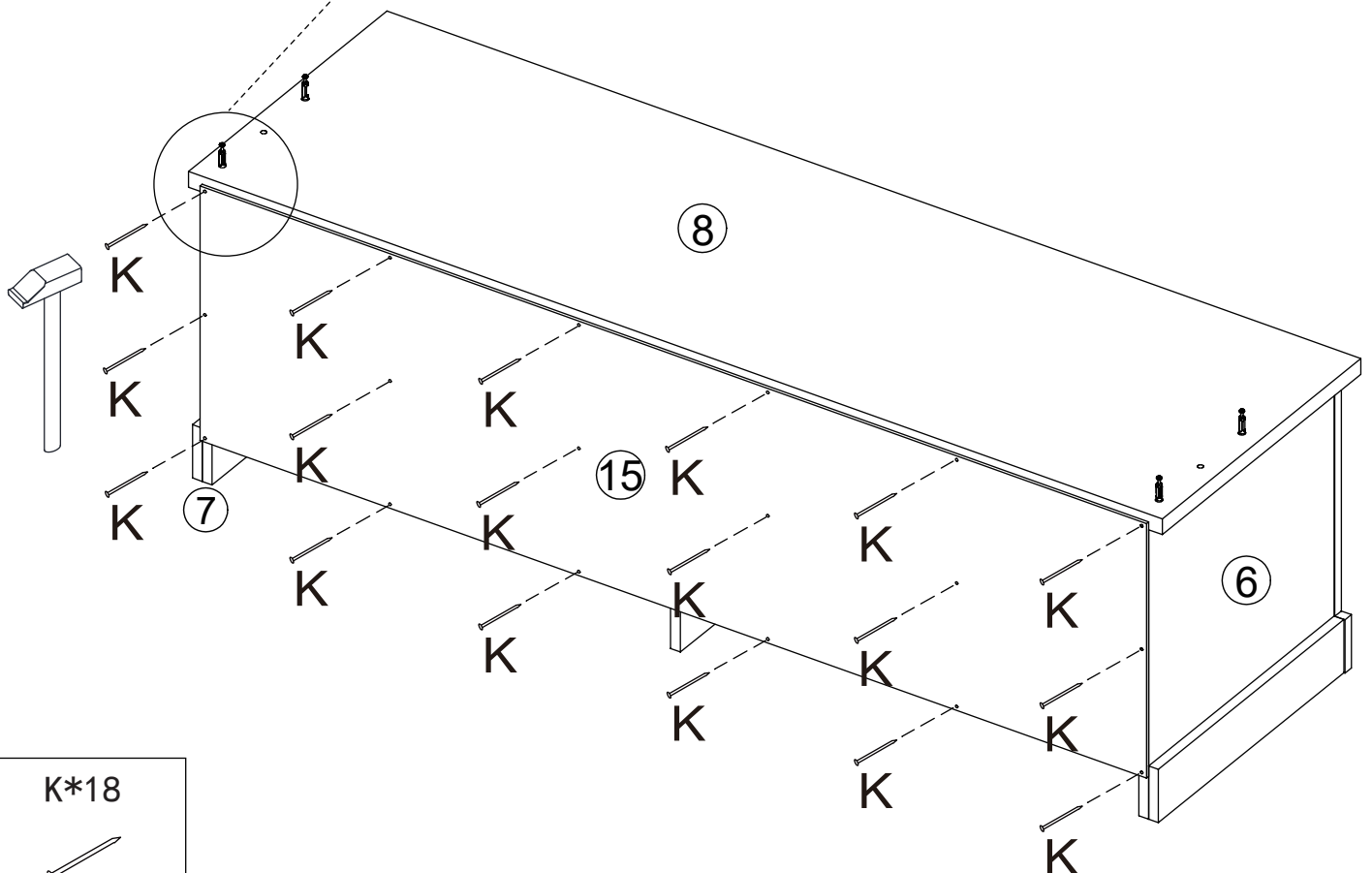
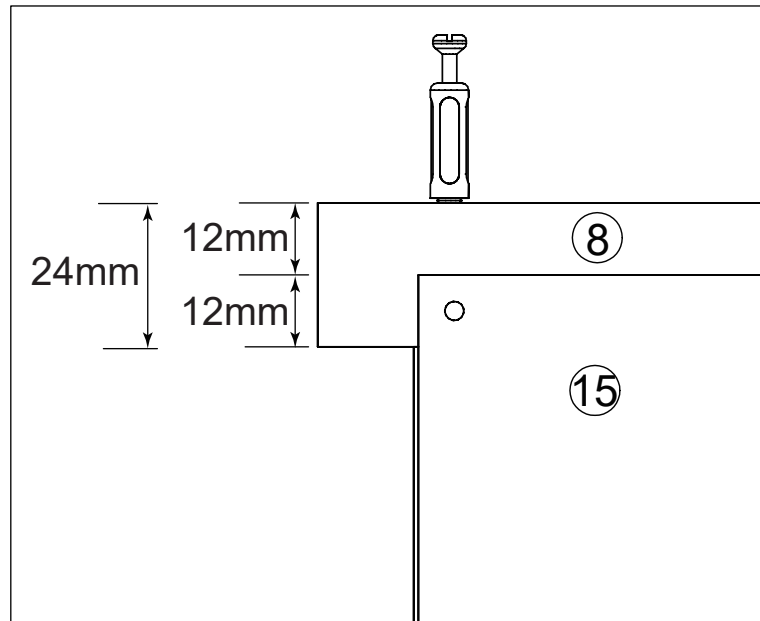
It's better if two people work together on this step.
Please flip carefully!



17.

When installing ⑮, pay attention to covering half of the thickness of ⑧ (12mm). Reserve half of the thickness of ⑧ (12mm) for installation of ⑲.

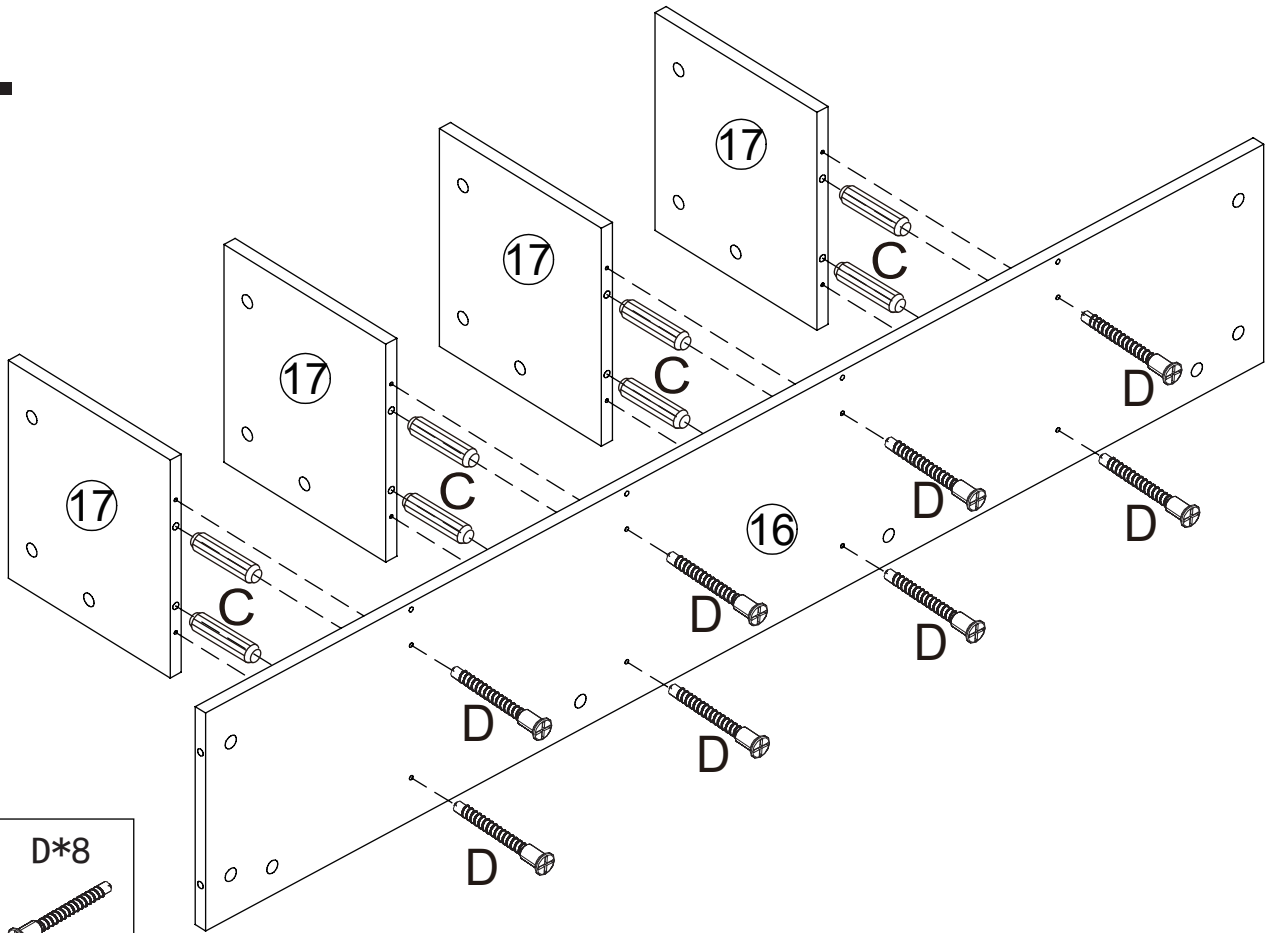
As shown in the following figure:



K*18

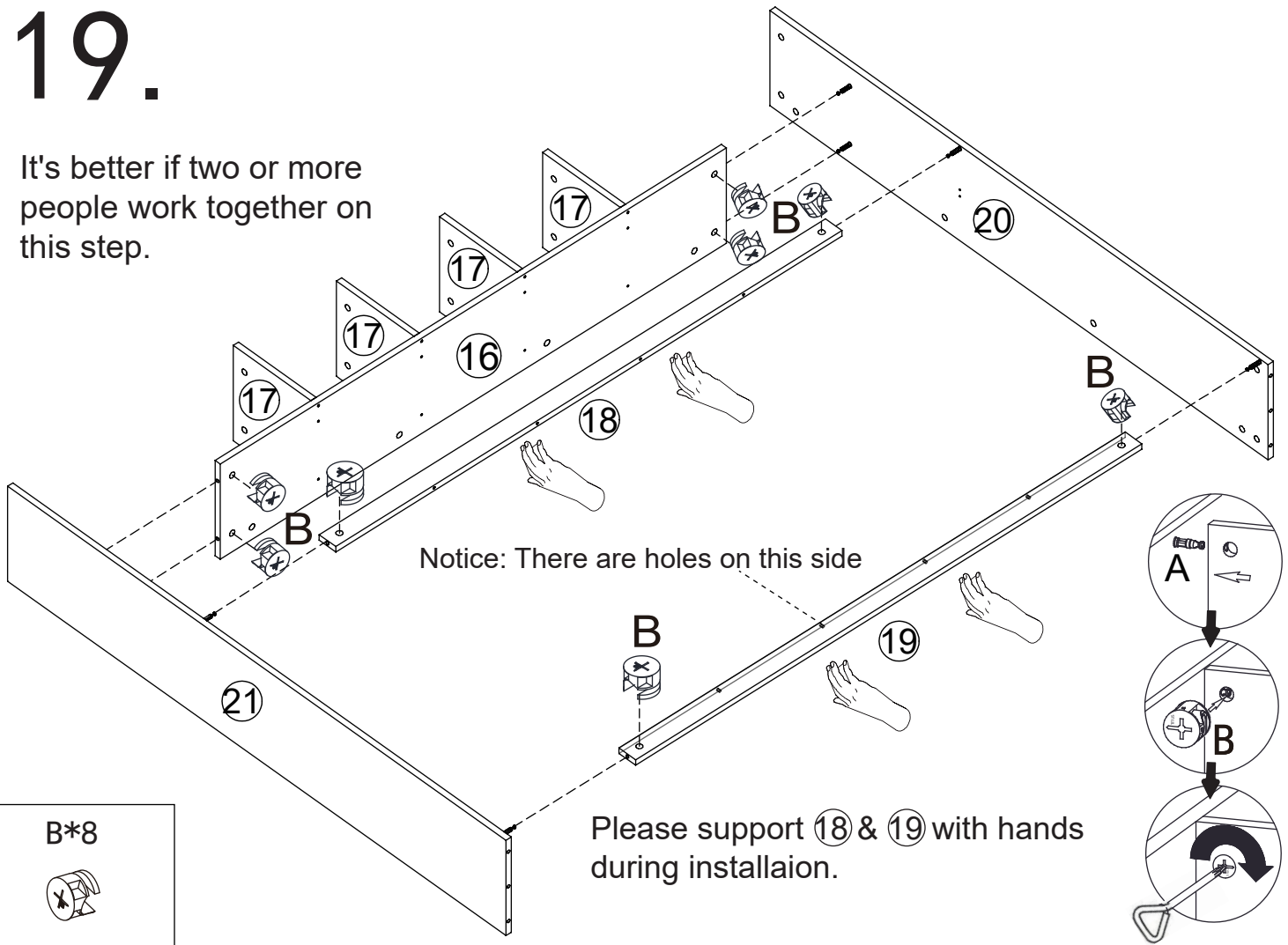


18.

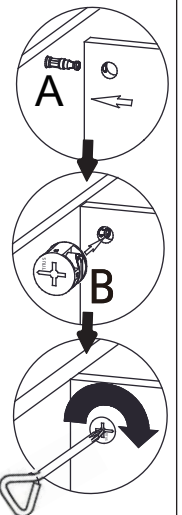
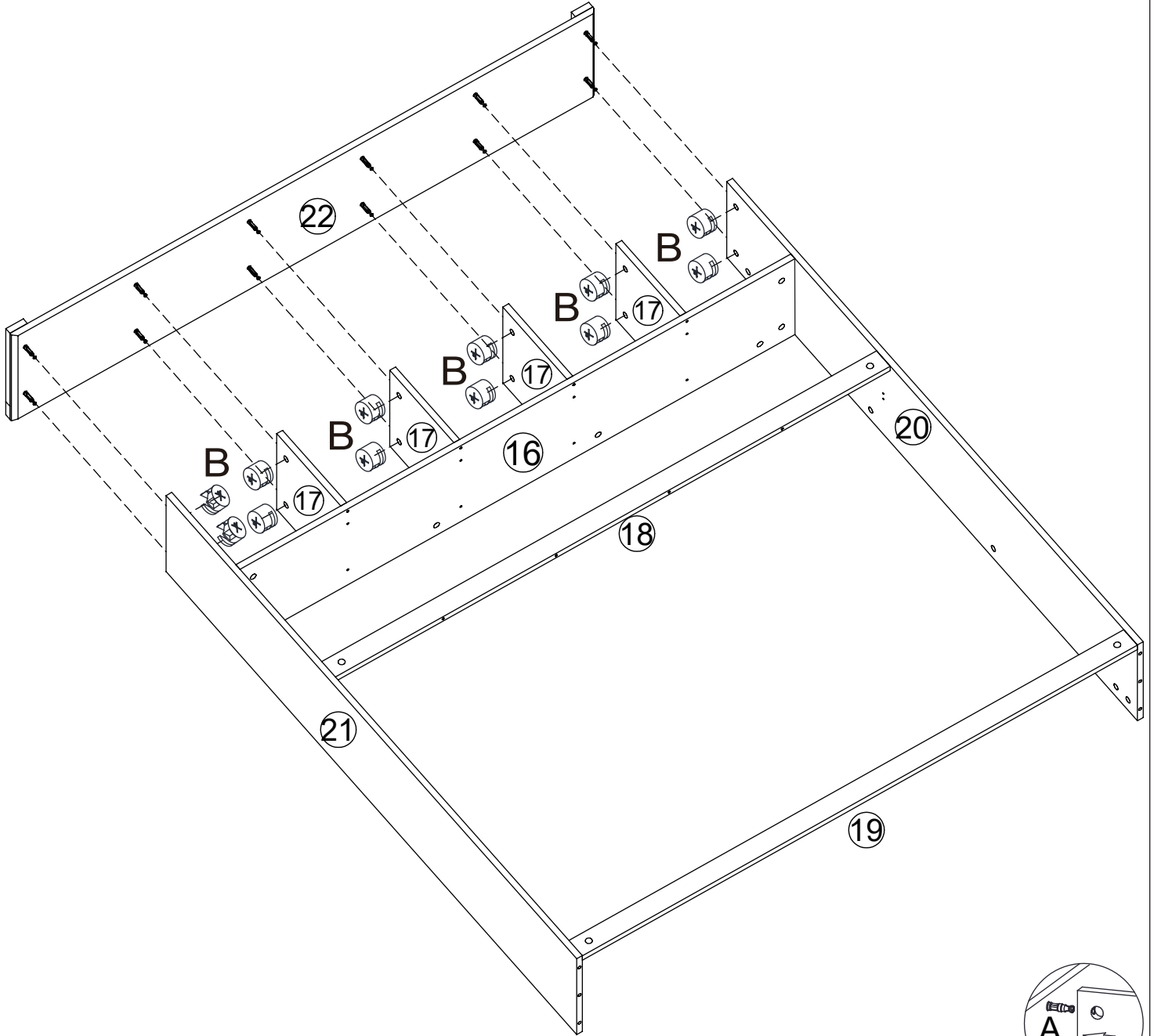


19.

It's better if two or more people work together on this step.



20.

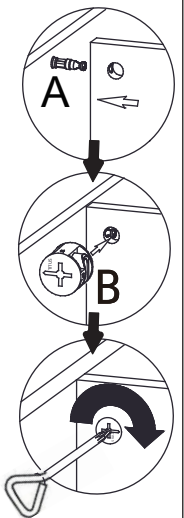
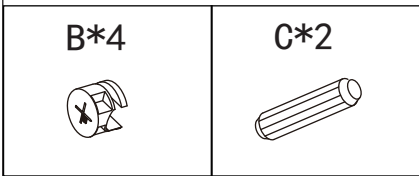
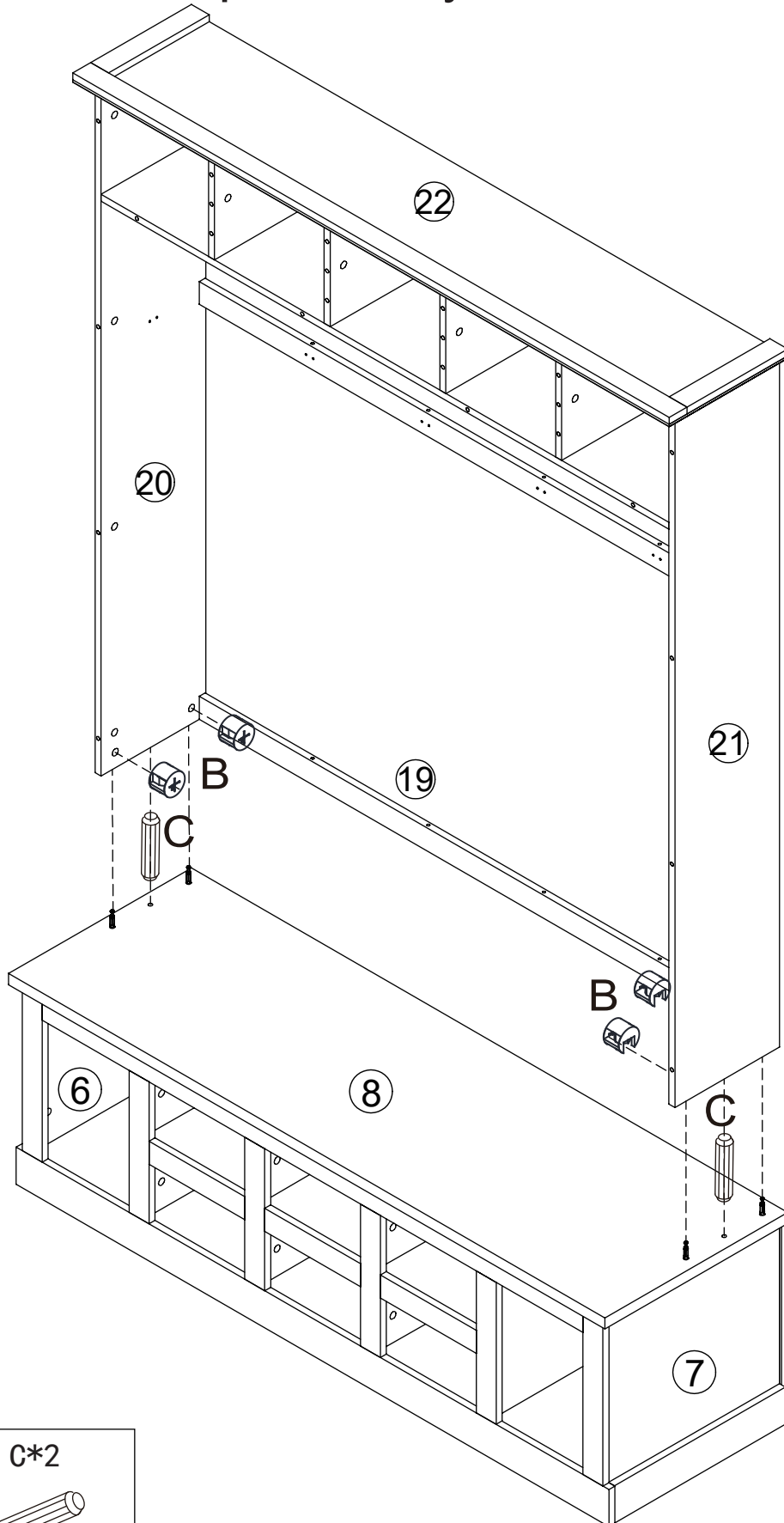


B*12

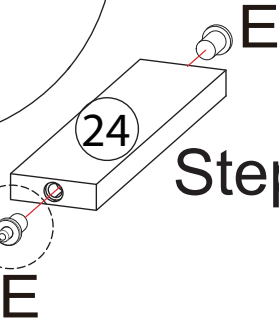
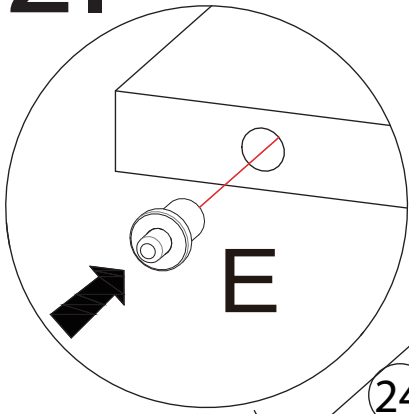


21.

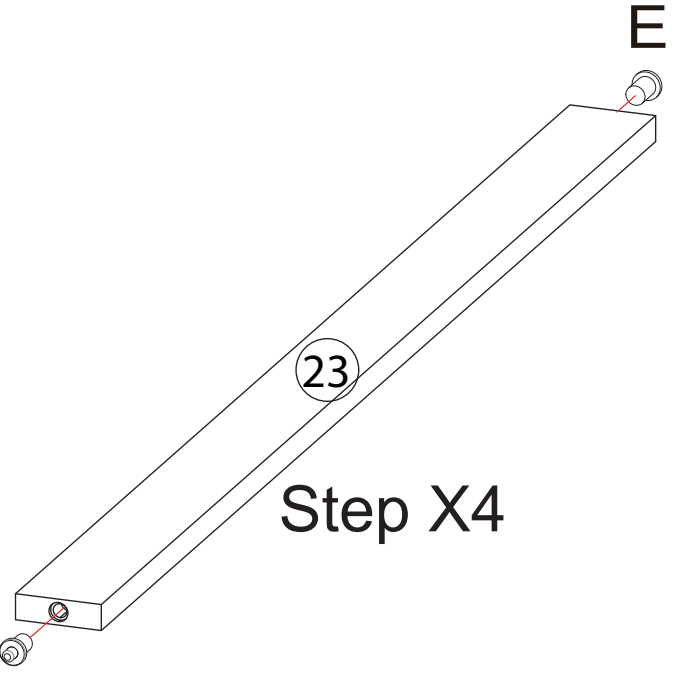
It's better if two or more people work together on this step.
Please flip carefully!



22.

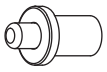


Step X4

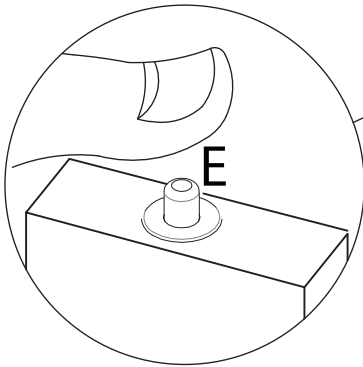


Step X4

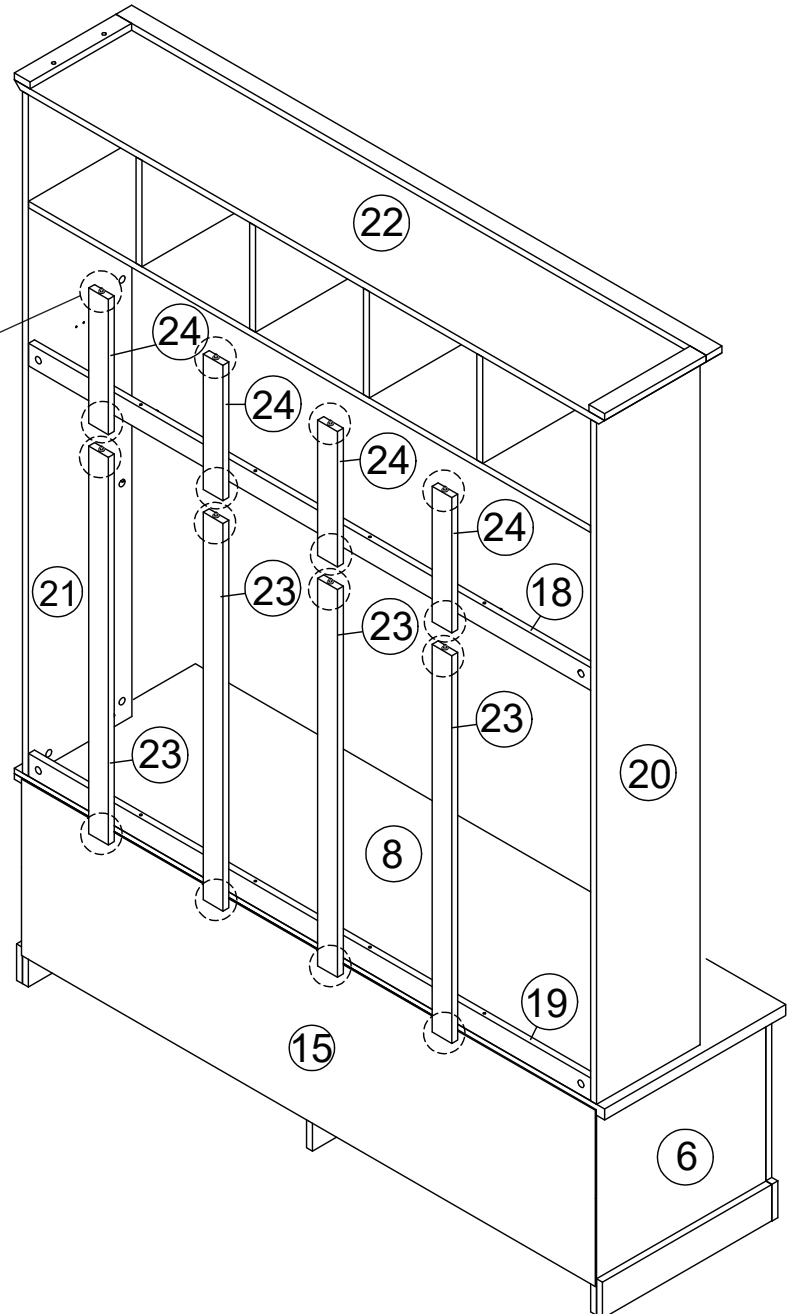
E*16



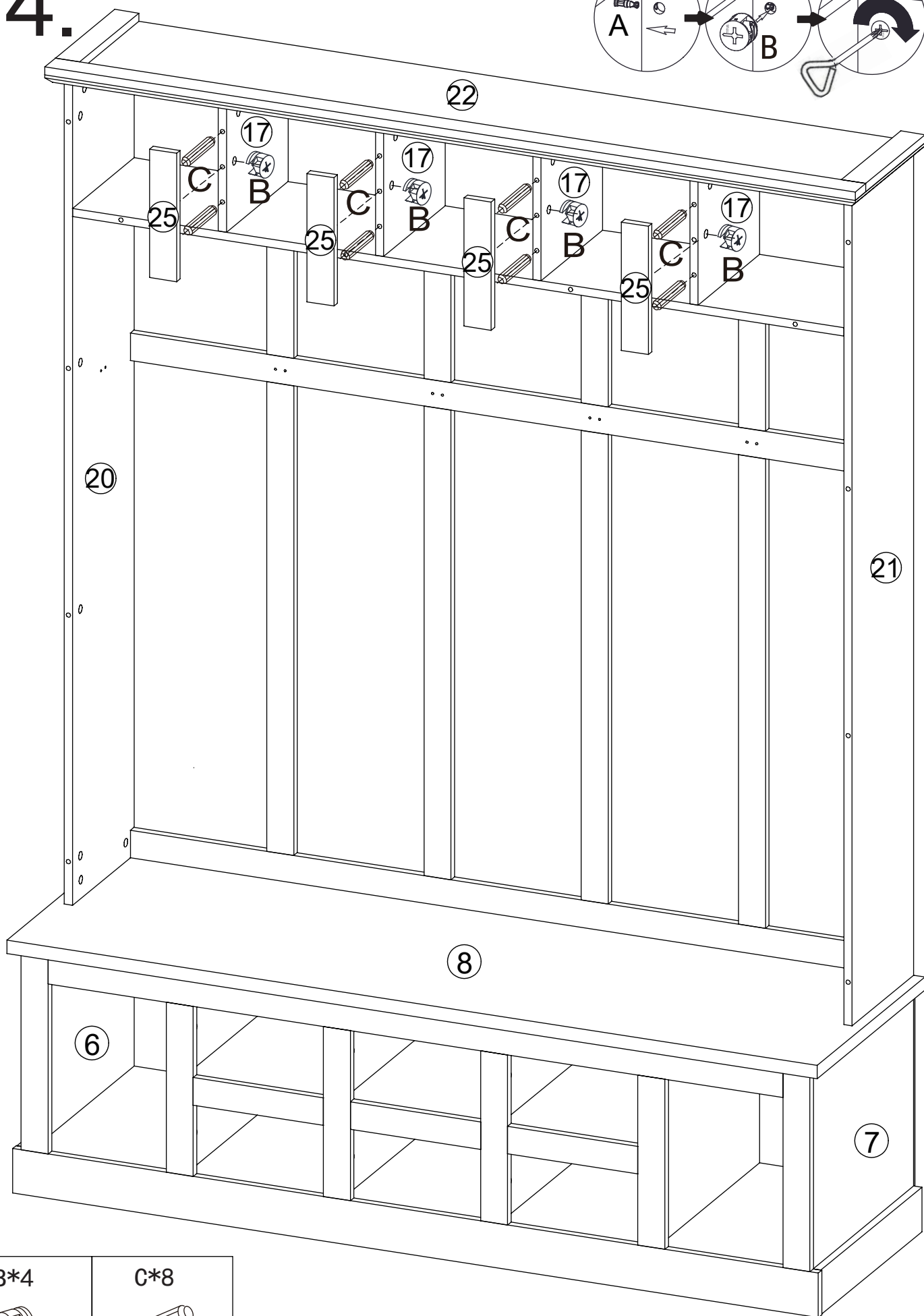
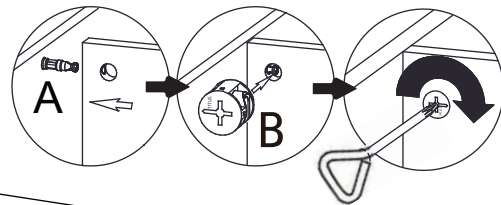
23.



Press hardware E and then slot in to the hole at cabinet.



24.



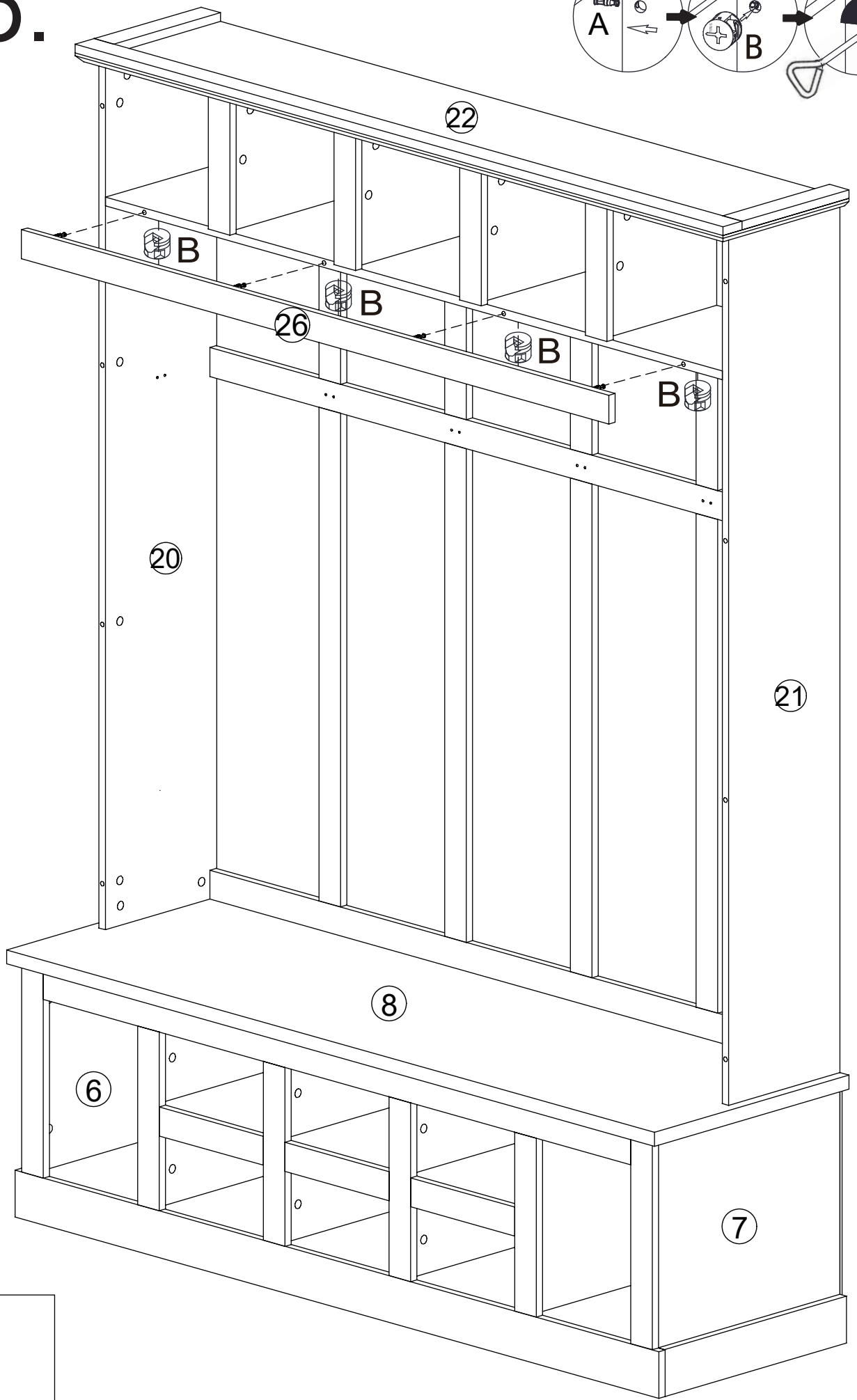
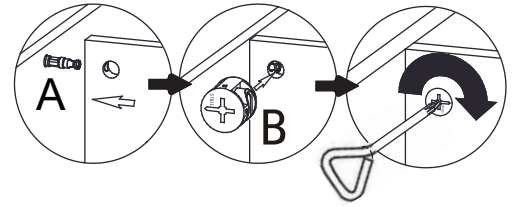
B*4



C*8



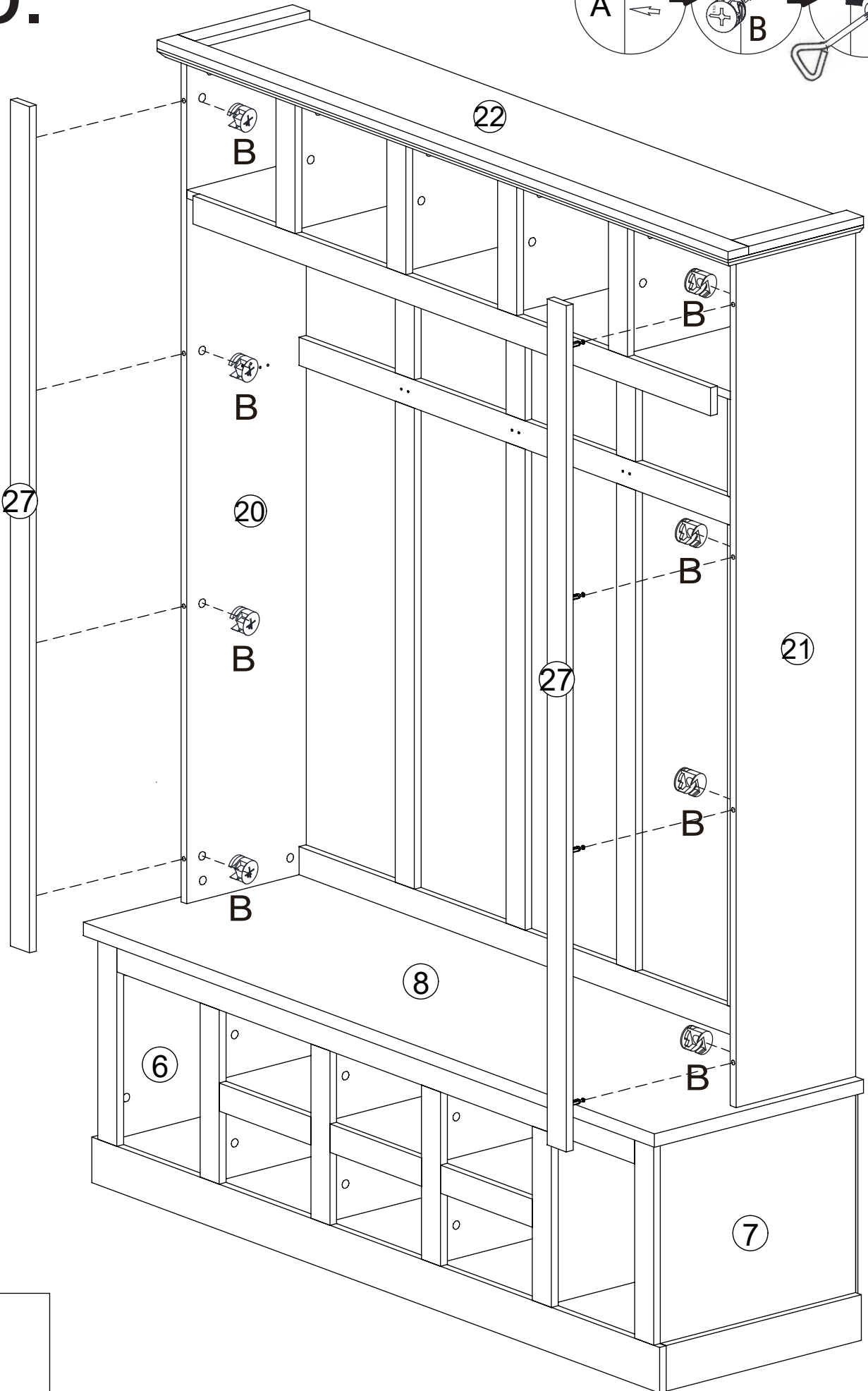
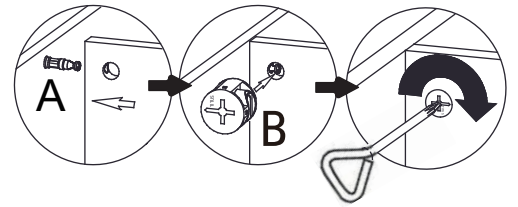
25.



B*4



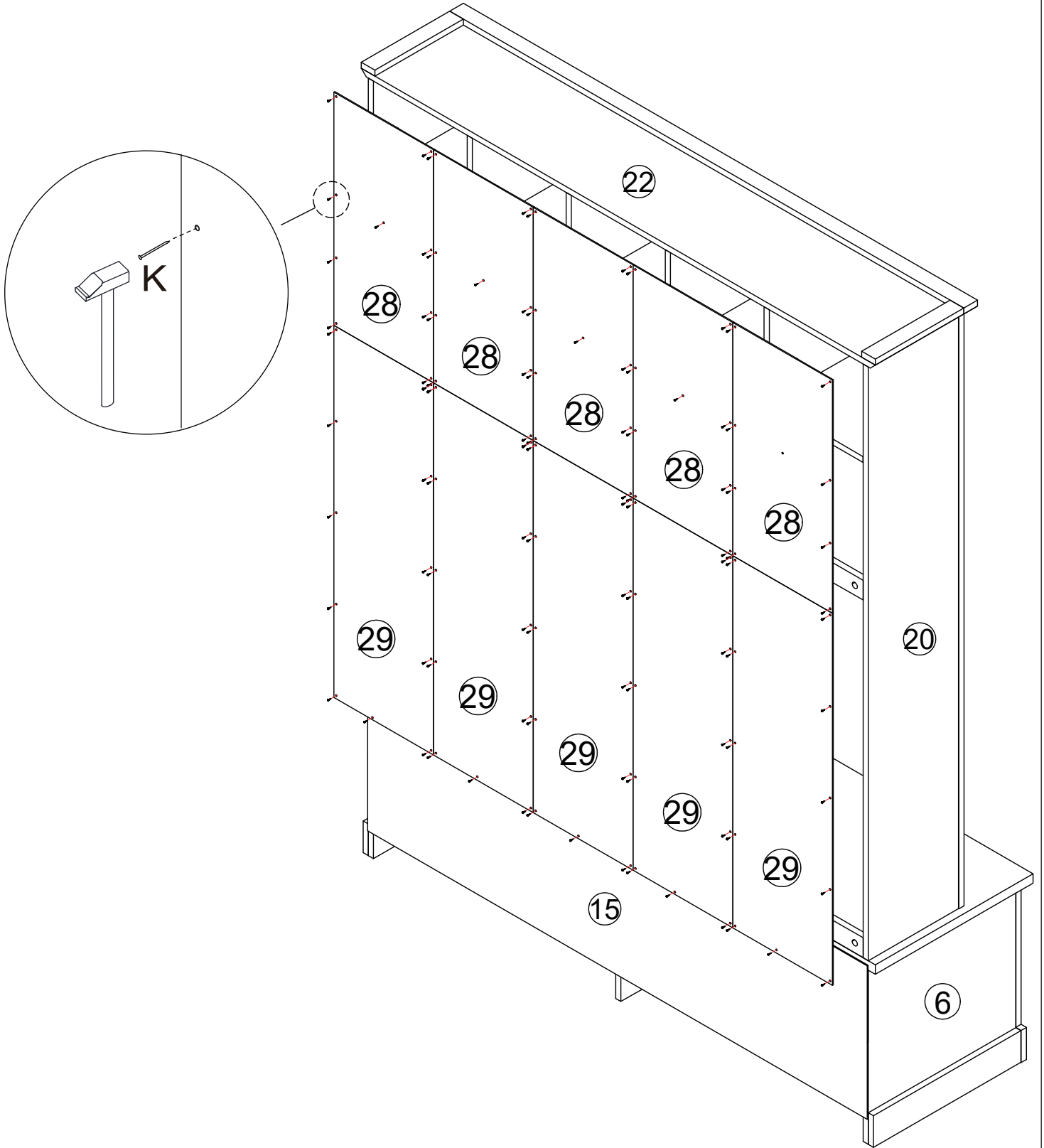
26.



B*8



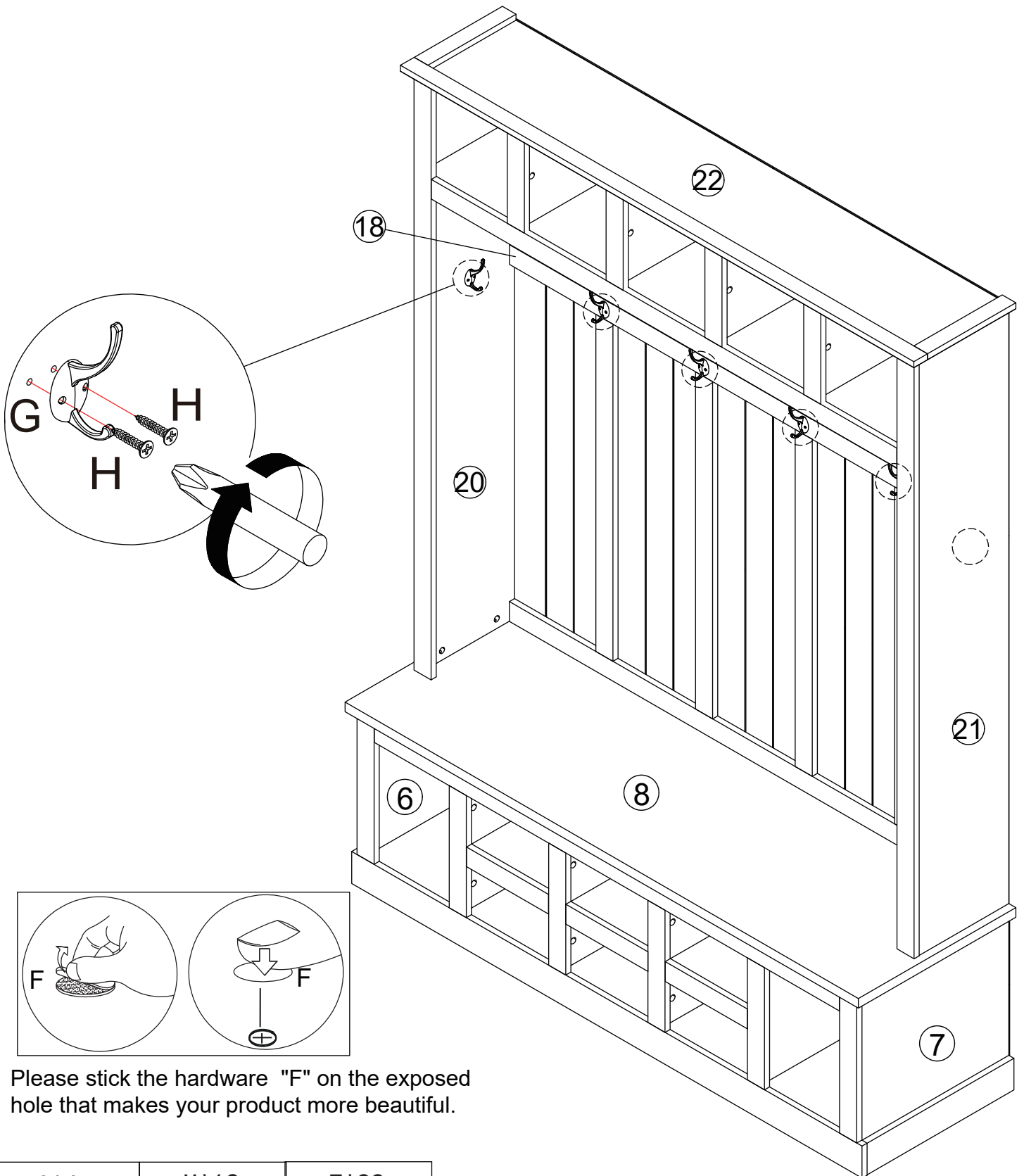
27.



K*100



28.



Please stick the hardware "F" on the exposed hole that makes your product more beautiful.

G*6



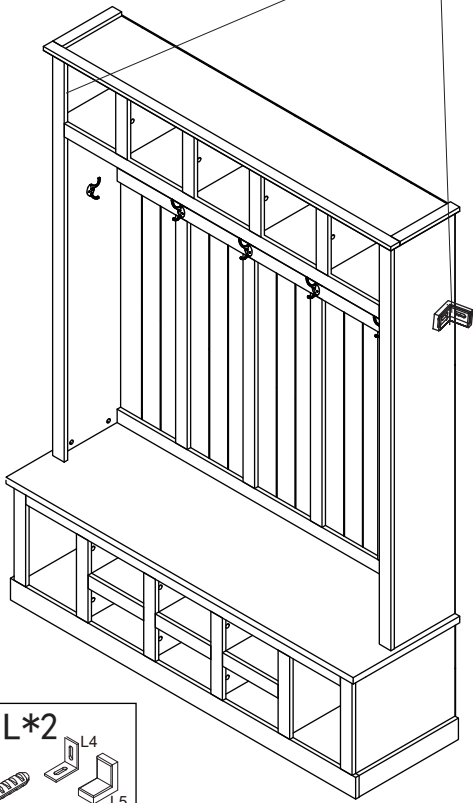
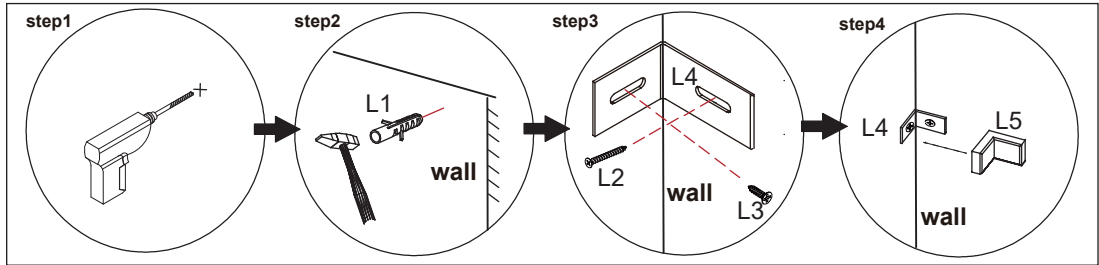
H*12



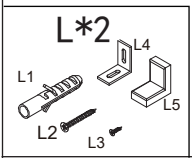
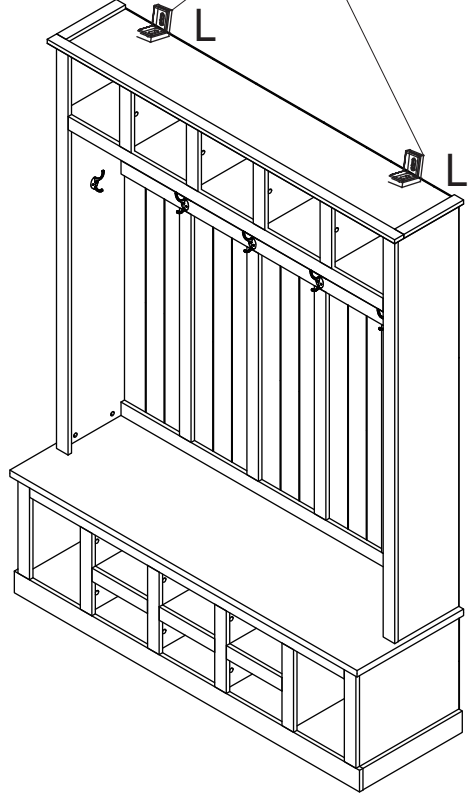
F*99



29.



OR



30.

