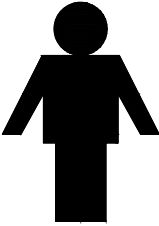
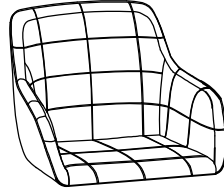
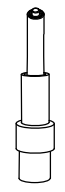
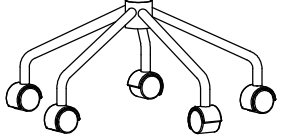

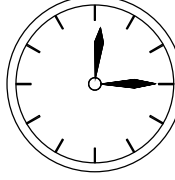
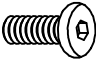
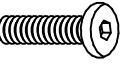

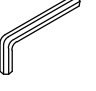
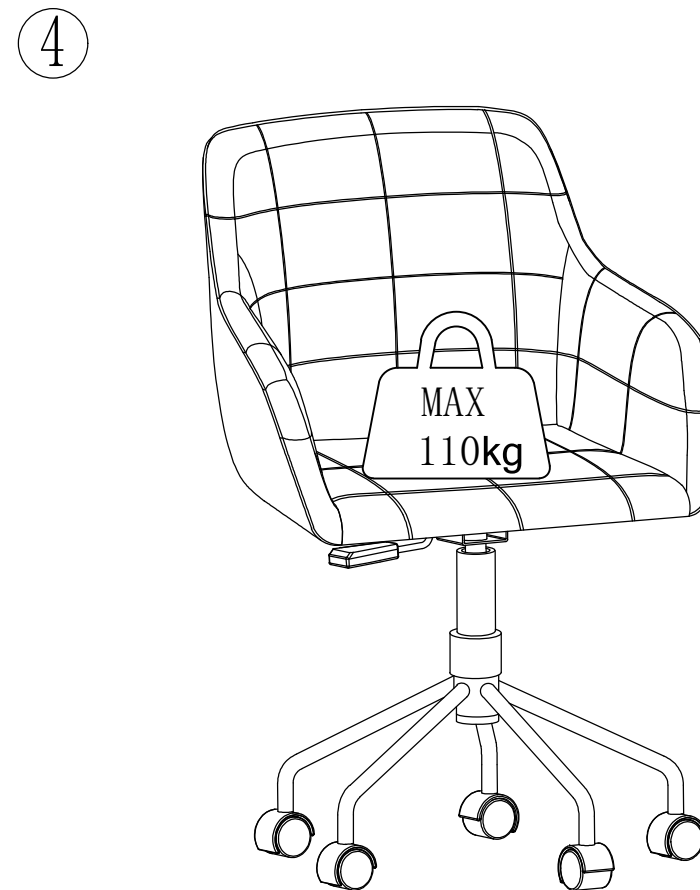
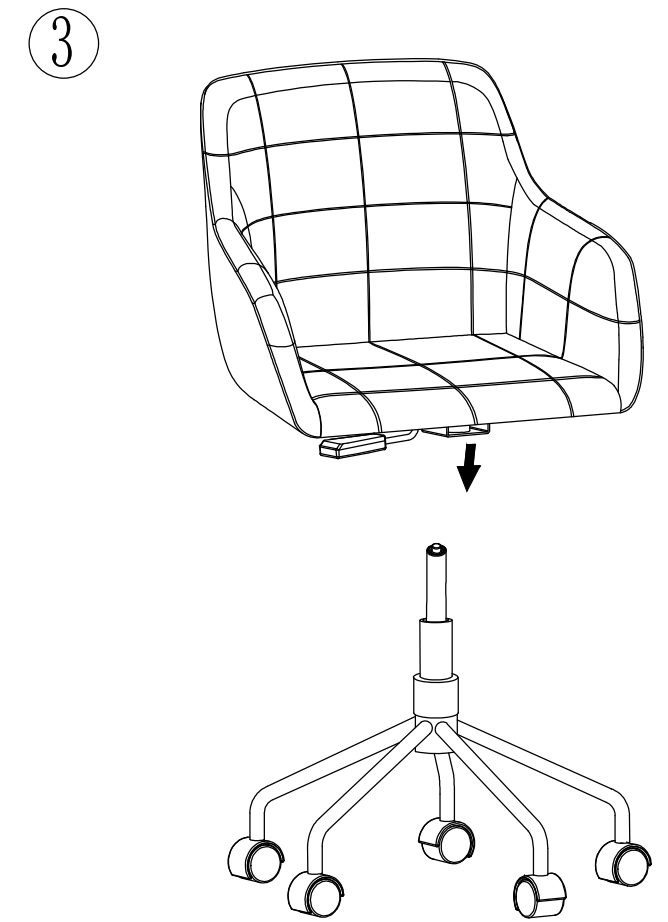
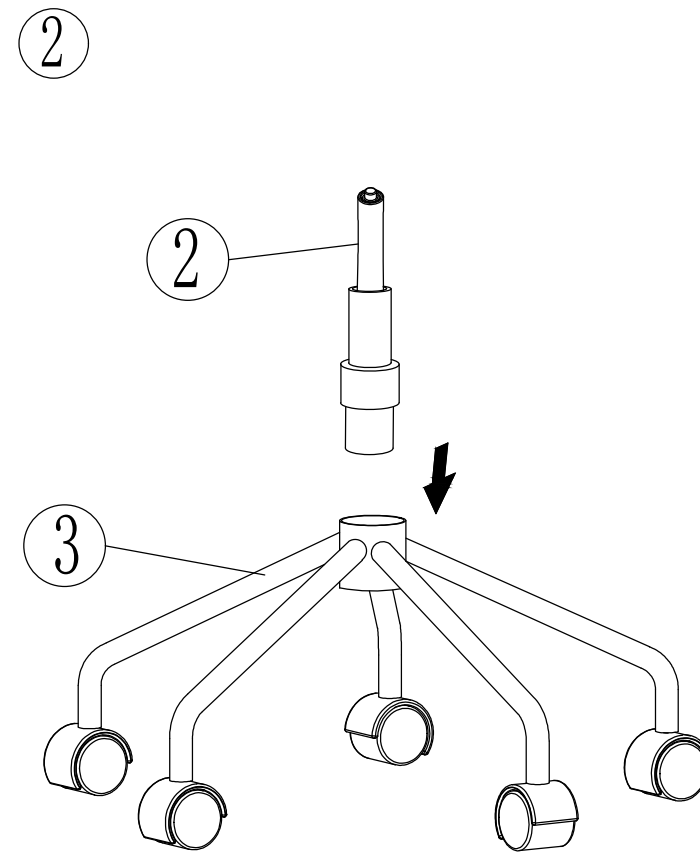
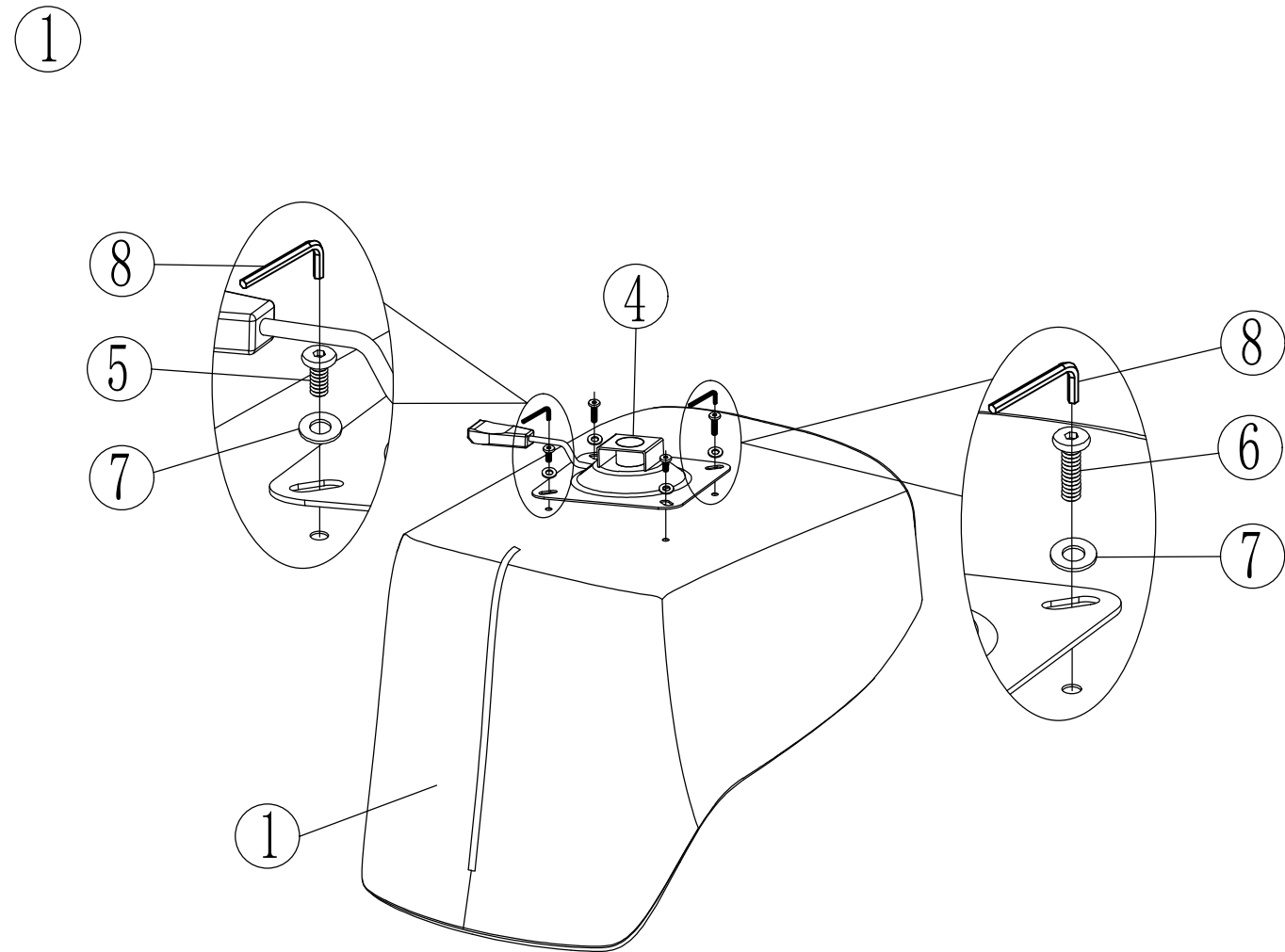


# VIE-511 Vienna swivel chair

	 ① × 1	 ② × 1	 ③ × 1	 ④ × 1
	 M6 × 15 ⑤ × 2	 M6 × 25 ⑥ × 2	 φ 16 / φ 6 ⑦ × 4	 4# ⑧ × 1



**CARE AND CLEANING:**  
 STRIPES IN THE FABRIC ? THIS CAN BE CAUSED BY THE PRESSURE EXERTED ON THE FABRIC BY THE PACKAGING . FORTUNATELY , YOU CAN EASILY SOLVE THIS YOURSELF BY STEAMING THE FABRIC (USE YOUR STEAM IRON, FOR EXAMPLE ) OR BY SPRAYING IT WITH MOISTURE. THEN YOU CAN BRUSH THE FABRIC WITH A CLEAN SOFT BRUSH . THE PILES OF THE FABRIC WILL BE REPAIRED IN THIS WAY !