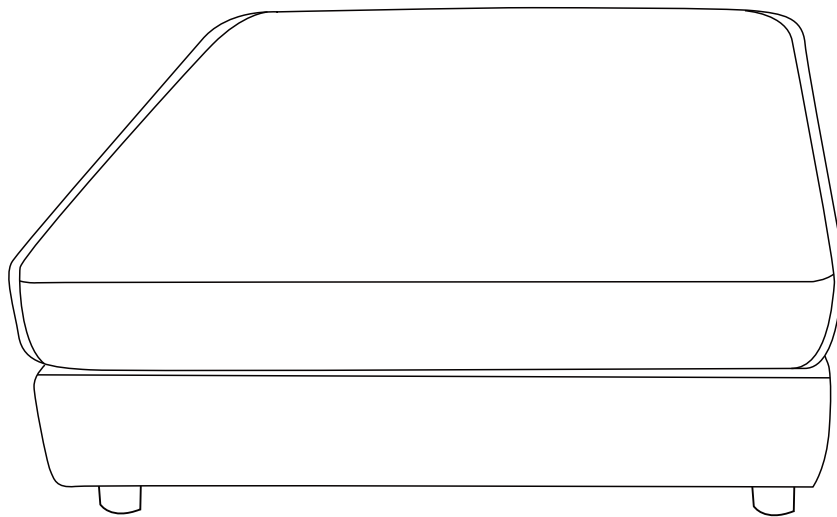


ASSEMBLY INSTRUCTION

Ottoman



Thank you for choosing our product.

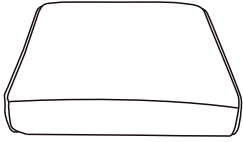
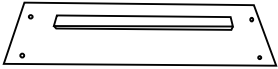
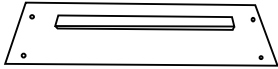
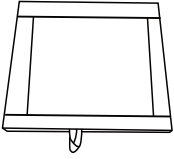
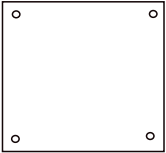
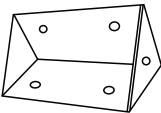

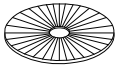
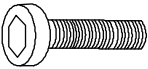


To ensure safe and satisfactory use of this product, please carefully read the below instructions before hand.

1. This sofa ships in several boxes, we recommend unpacking and starting assembly when several boxes are received.
2. Our cushions are vacuum packed for convenient shipping. Please allow 2-3 days for them to fully expand to their original shape and for any wrinkles to disappear.
3. In the event that a part is damaged or missing, no need to return the product, we will gladly help and ship your replacement parts free of charge.

Assembly Instructions

OTTOMAN

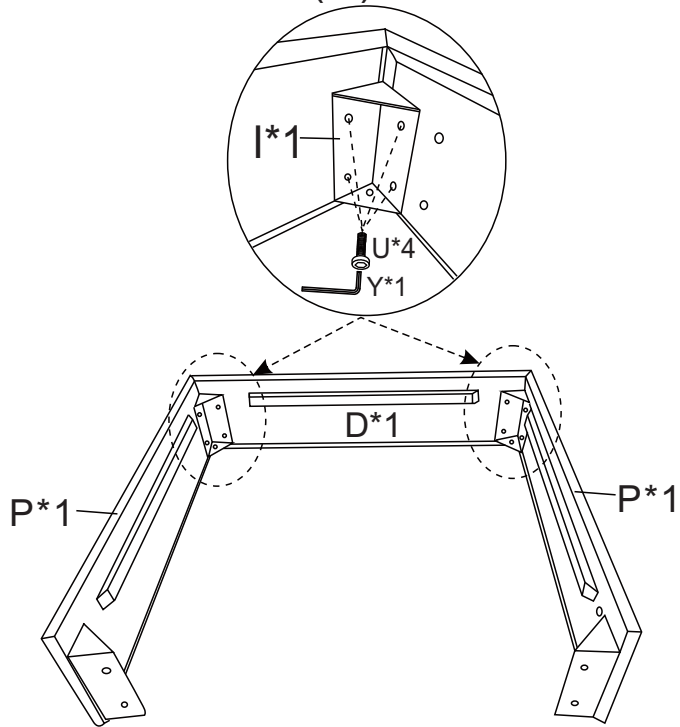
Parts List

B  Seat cushion*1	D  Panel *2	P  Side panel*2	
G  Upper cover plate *1	H  Bottom plate*1	I  Connector*4	J  Leg*4
R  Plastic gasket*4	U  Bolt*17 M8*16mm	Y  Allen key*1	Z  Connector*2

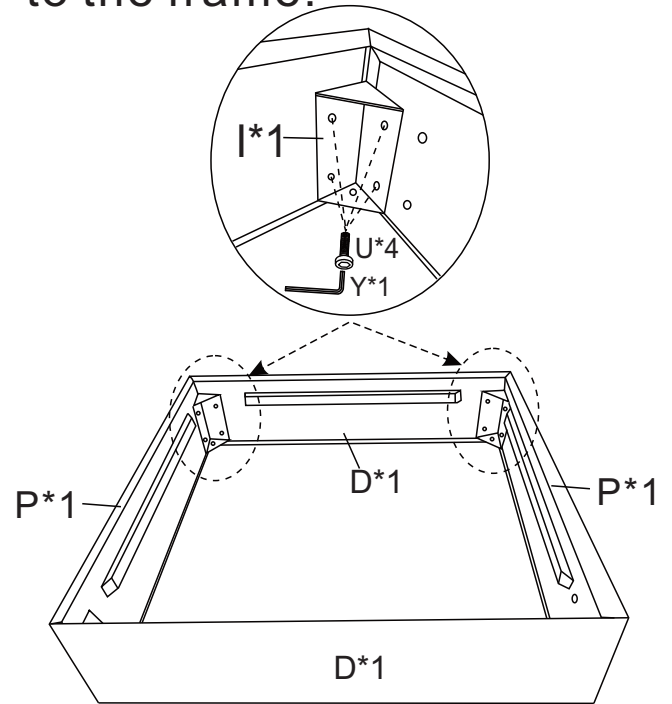
Note: Please retain all boxes until you are certain that your product isn't damaged and that you do not wish to return it. Disposal of boxes may prevent our ability to resolve your request.

STEP 1

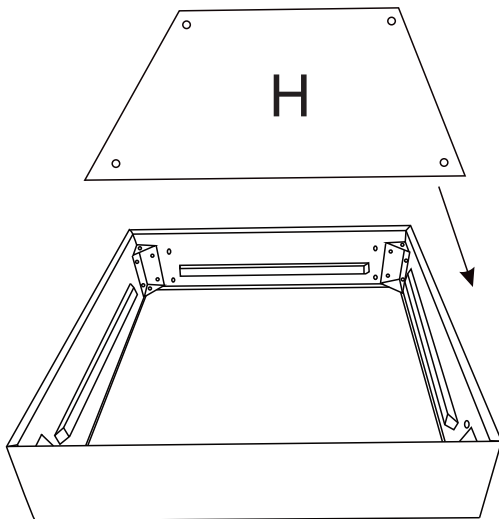
- ① Assemble the Side panel(P) to the Panel(D).



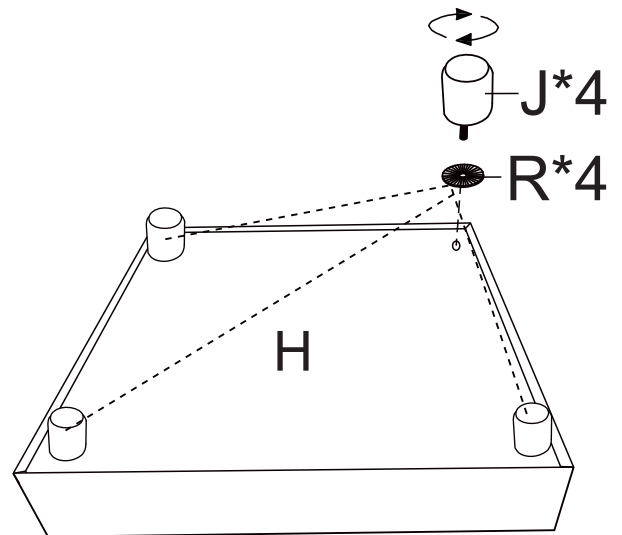
- ② Assemble the Panel(D) to the frame.



- ③ Place the Bottom plate(H) to the bottom of the seat frame.

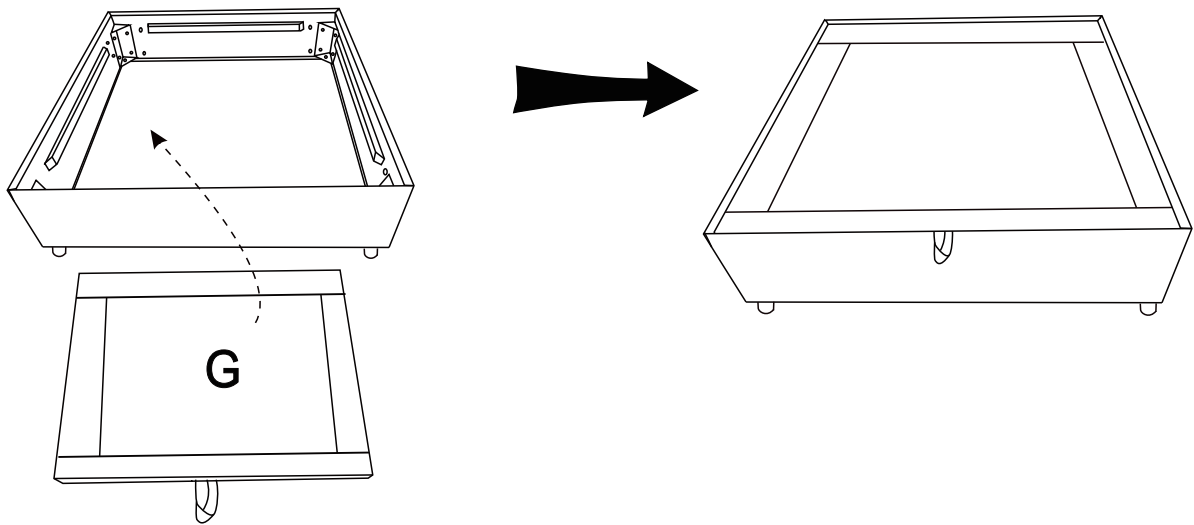


- ④ Assemble the Legs (J) into the Bottom plate(H) with Plastic gasket(R).

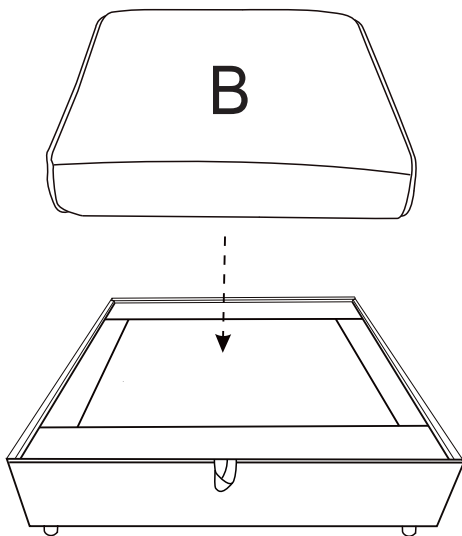


STEP 1

⑤ Put the Upper cover plate(G) to the seat frame.



⑥ Put the Seat cushion(B) to the seat frame.



⑦ Completed .

