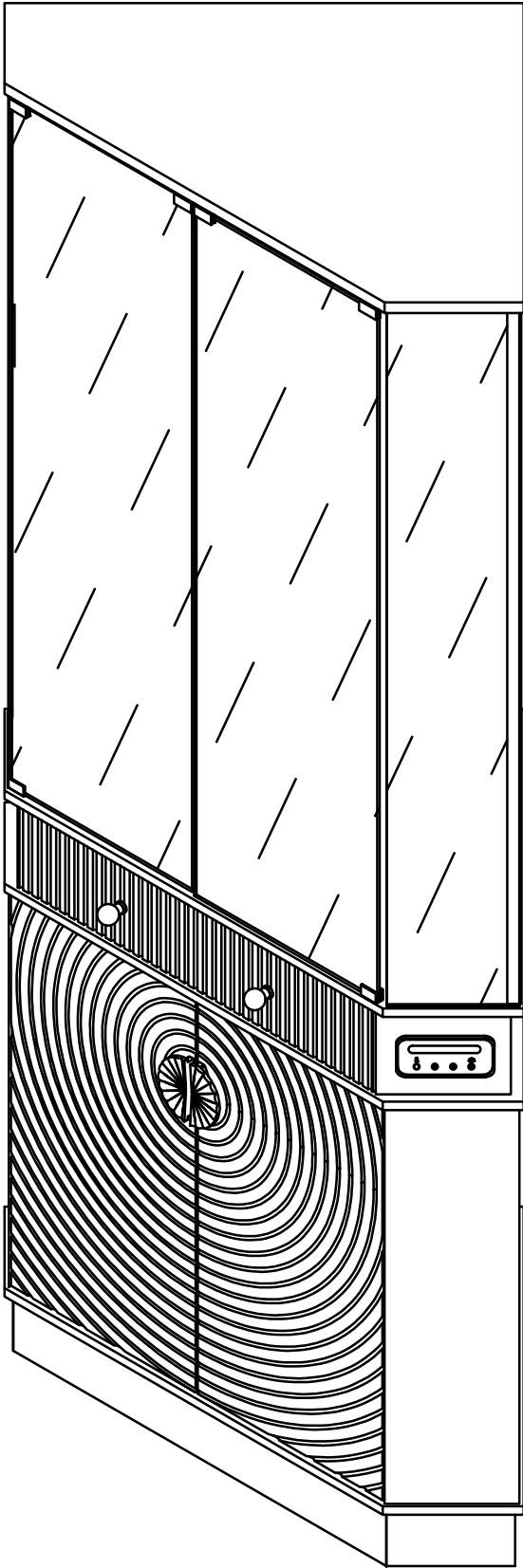
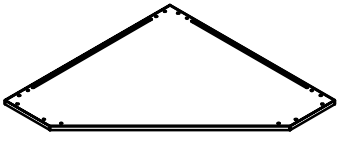
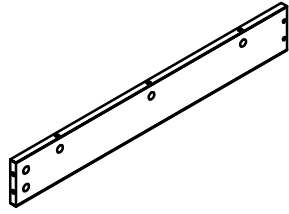


Product Installation Instructions

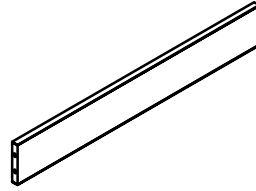




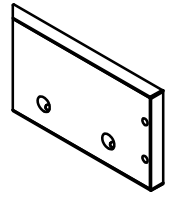
1x1



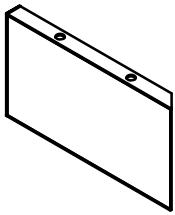
2x1



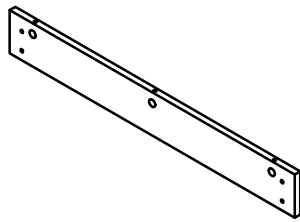
3x1



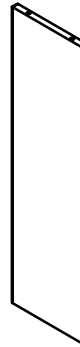
4x1



5x1



6x1



7x1



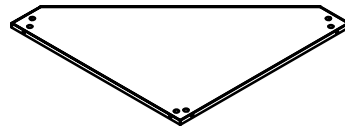
8x1



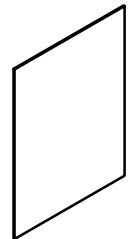
9x1



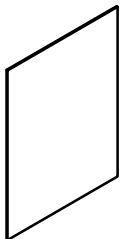
10x3



11x1



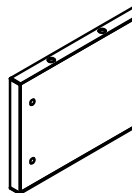
12x1



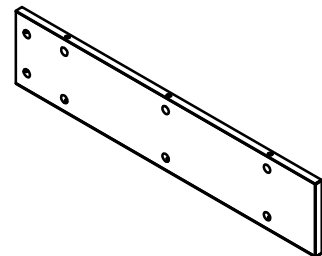
13x1



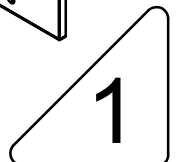
14x1



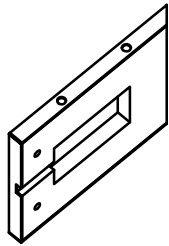
15x1



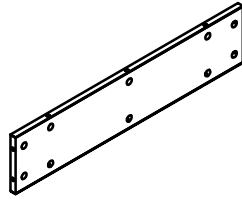
16x1



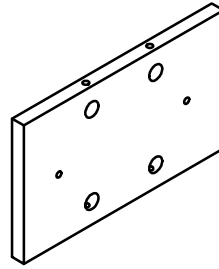
1



17x1



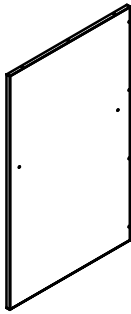
18x1



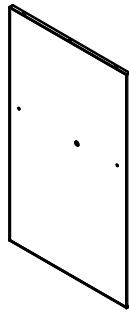
19x2



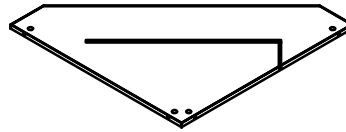
20x1



21x1



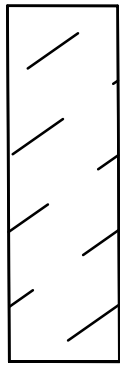
22x1



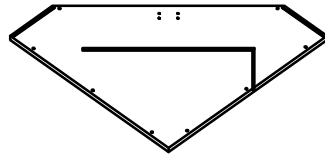
23x1



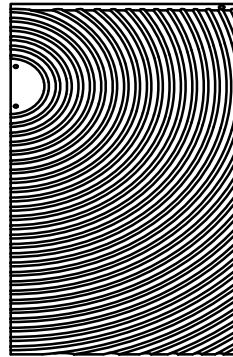
24x2



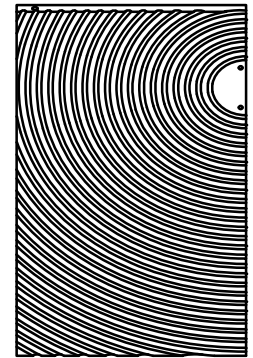
25x2



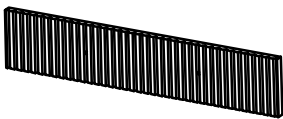
26x1



27x1



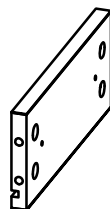
28x1



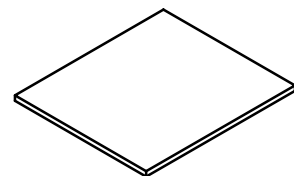
29x1



30x1

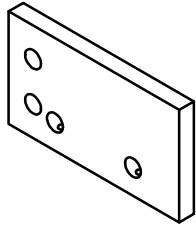


31x2

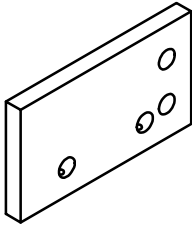


32x1



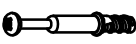

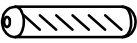
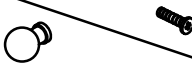
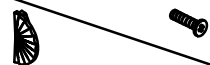
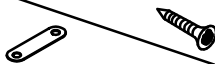


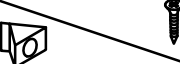






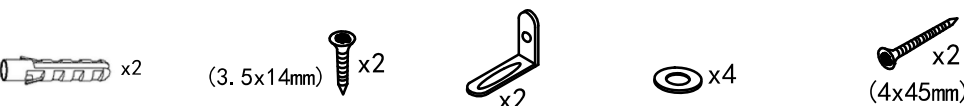

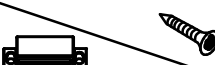




33x1



34x1

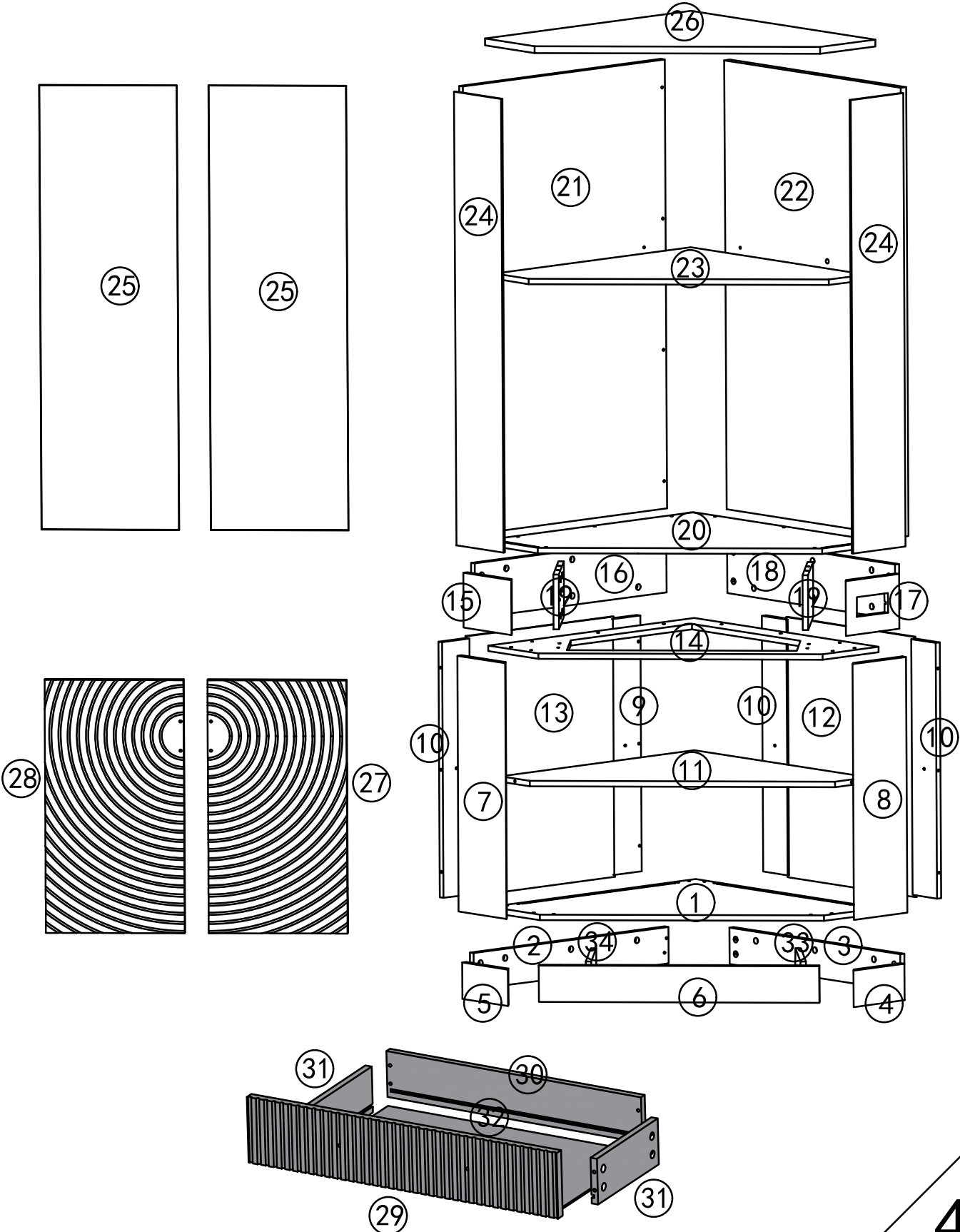
Accessories list

(A)		Two In One Screw (6x28mm)	120pcs +3pcs
(B)		Two In One Nut (10x12mm)	120pcs +3pcs
(C)		Wood Chipping (6x30mm)	8pcs +2pcs
(D)		Handle & screw (4x20mm)	2pcs / 2pcs
(E)		Handle & screw (4x20mm)	2pcs / 4pcs
(F)		Iron Sheet screw (3x10mm)	2pcs / 4pcs
(G)		Screw & Guide (8 inch) (3x12mm)	2pcs / 10pcs
(H)		Wire Clamp	2pcs
(J)		Back plate buckle & Screw 3x16mm	16pcs / 16pcs
(M)		Foot rubber pad(50x10x2mm)	8pcs
(N)		Door shaft	4pcs
(O)		Rebound device & Screw (3x16mm) Iron sheet Hinge	1pcs / 4pcs
			4pcs / 2pcs
			2pcs / 2pcs
(P)		power cord extension cord	1pcs
(Q)	<p>Anti Fall Hardware</p> 		
(R)		A23 wireless box	1pcs
(S)		Wine glass rack & screw B3.5*12mm	3pcs / 6pcs
(T)		Magnetic Attraction Screw (3x16mm)	1pcs / 2pcs
		AC/DC Adapter (12V=2.0A)	1pcs


1pcs
 Double-head screwdriver, use as required

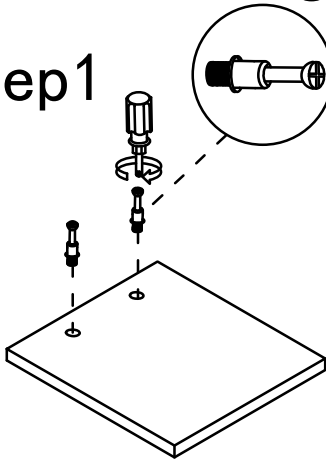
3

Product structure decomposition

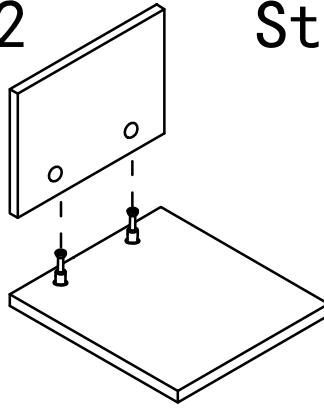


Use parts A and B

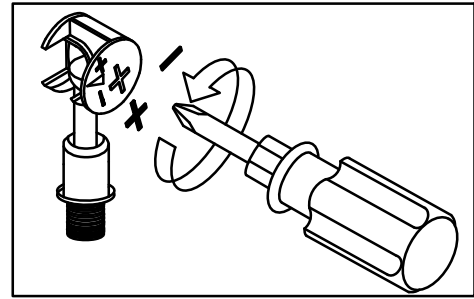
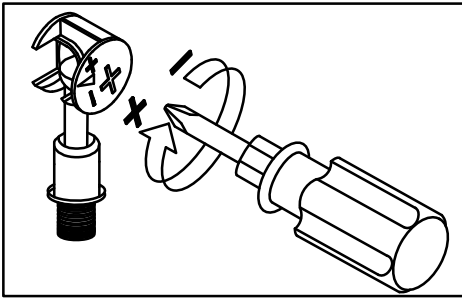
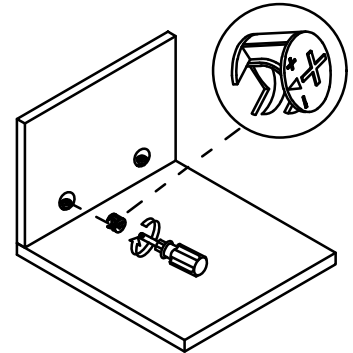
Step 1



Step 2



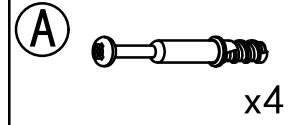
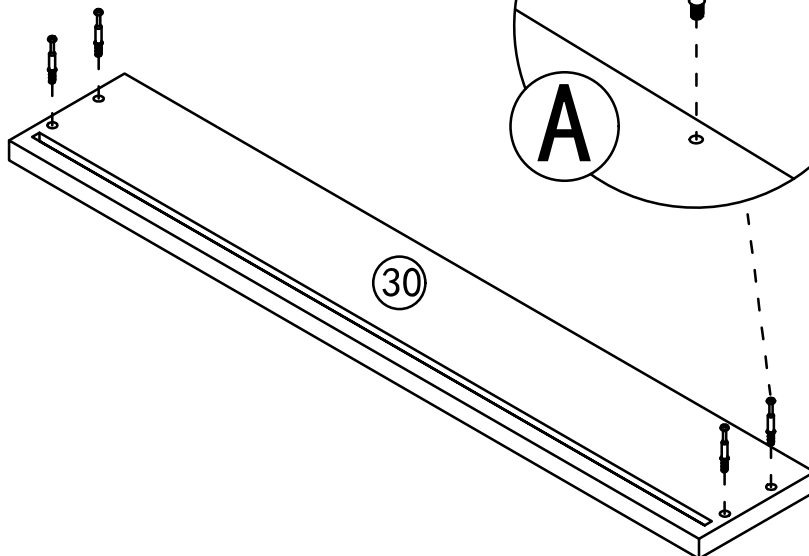
Step 3



Use a screwdriver to lock in the direction of the "+" sign

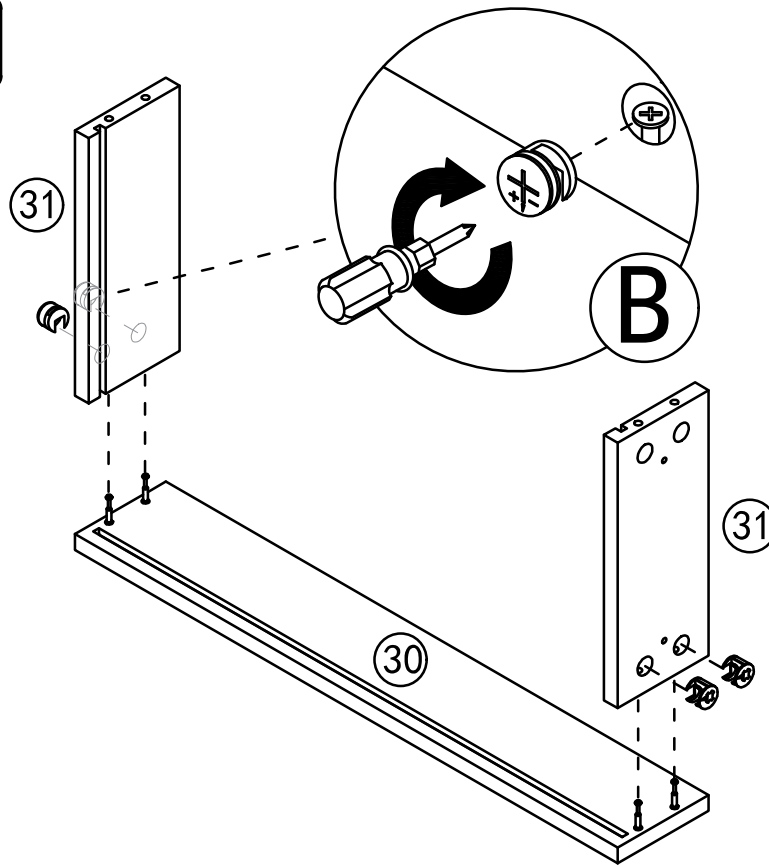
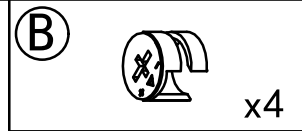
Disassemble along the direction of "-" sign

Step 1

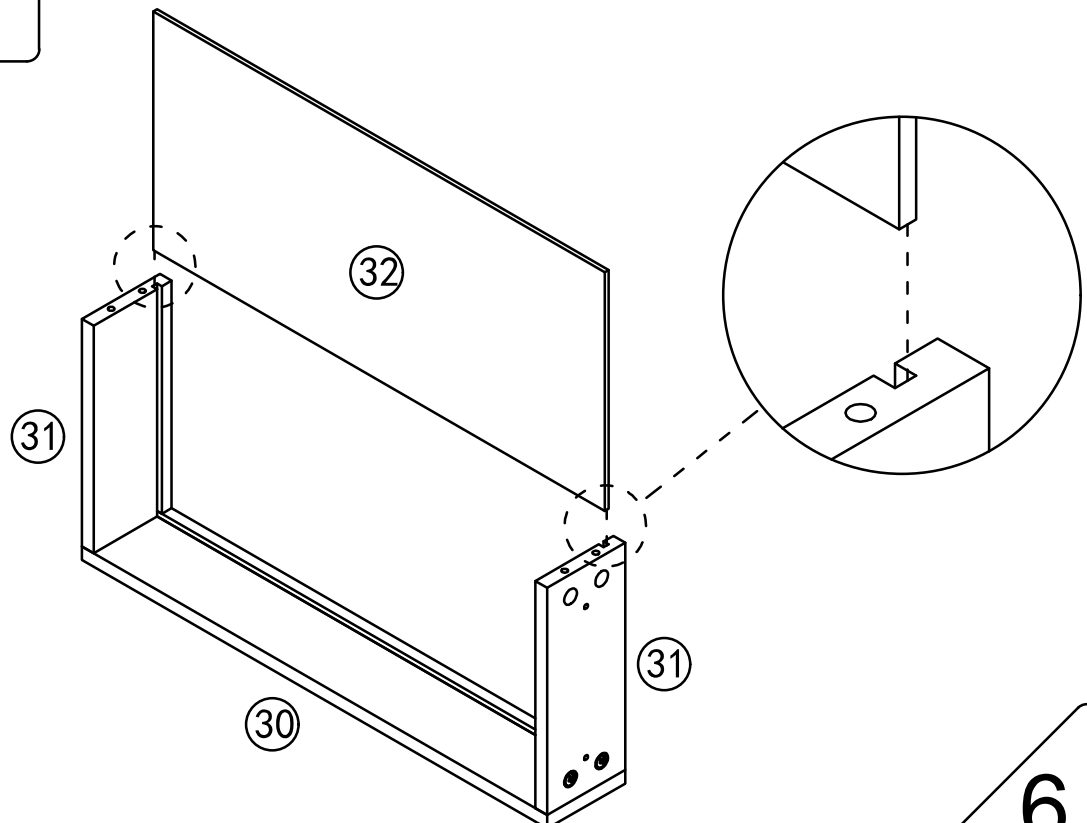


5

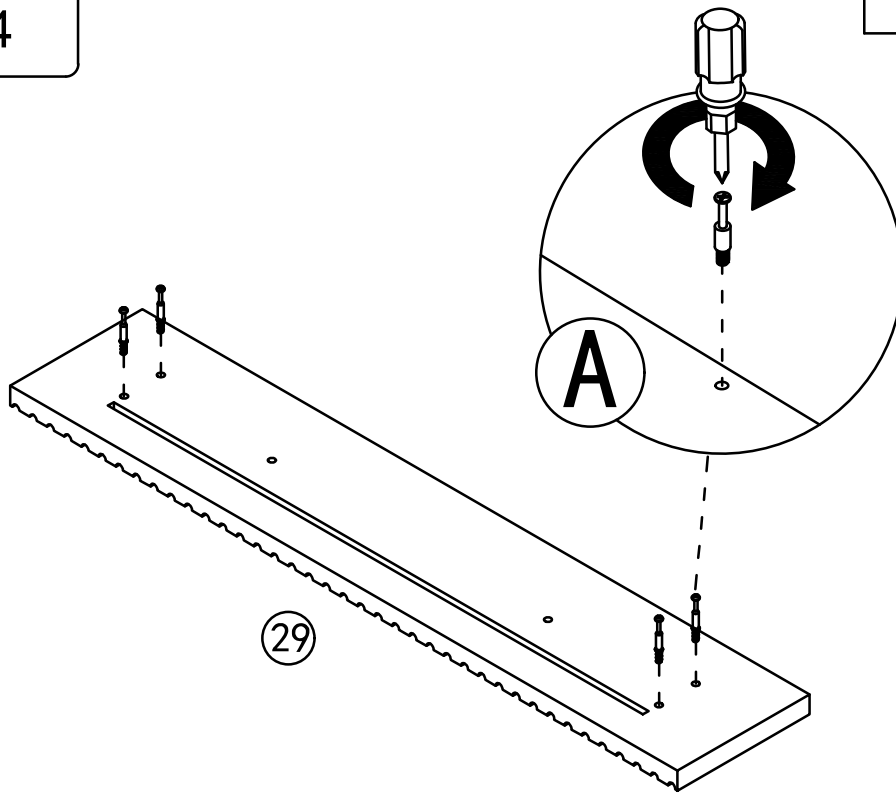
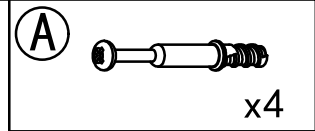
Step 2



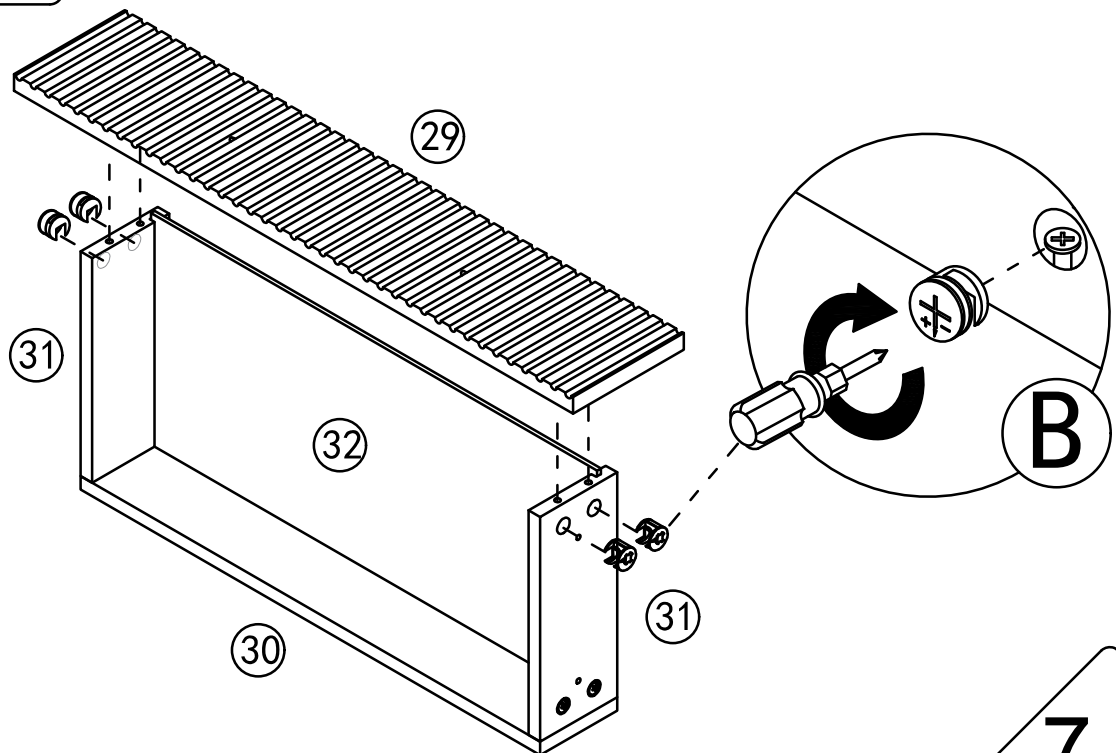
Step 3



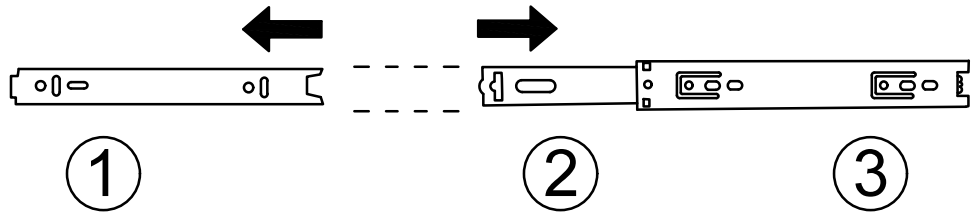
Step 4



Step 5

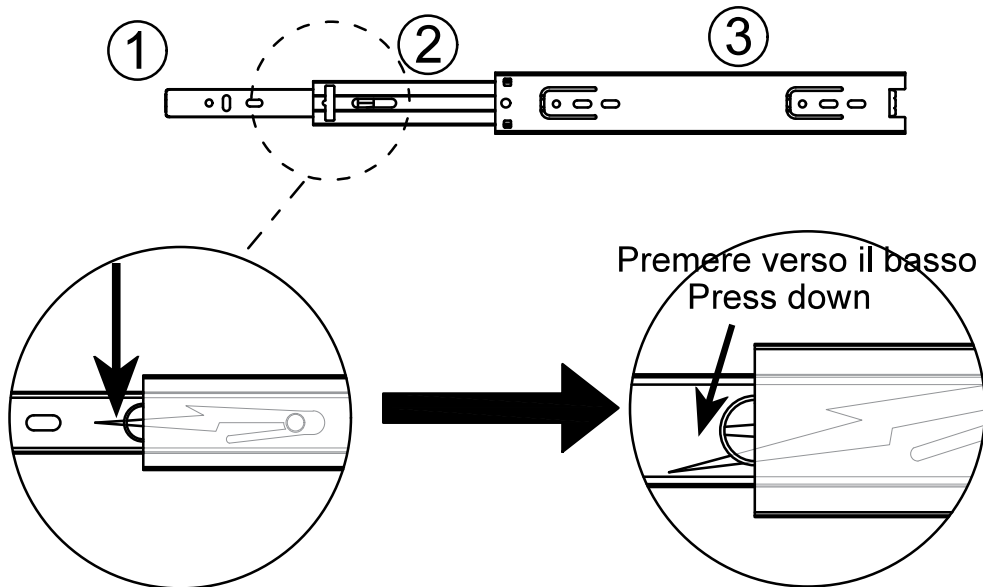


Schema di ripartizione delle guide dei cassetti
 Drawer rail breakdown diagram



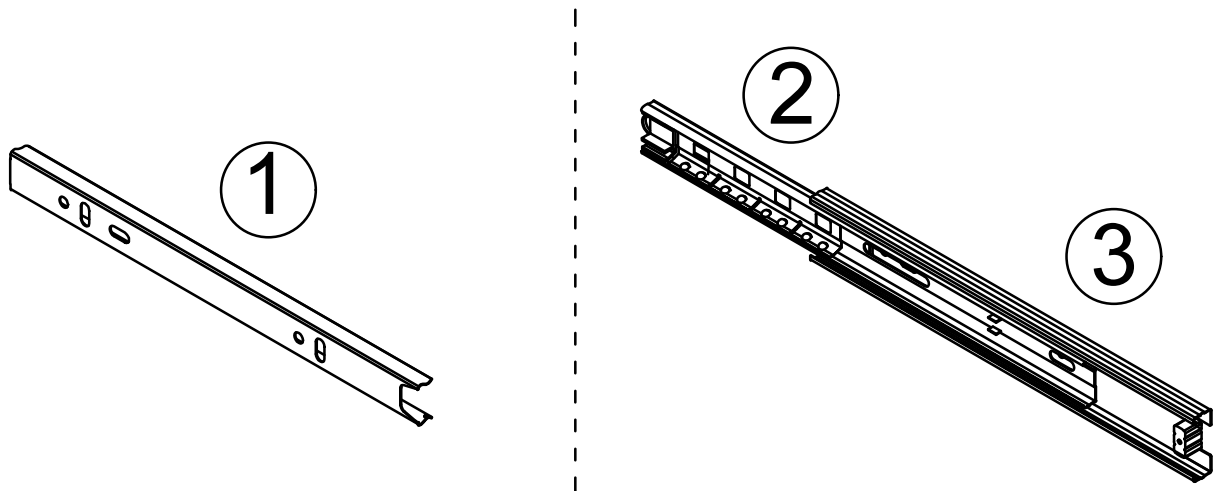
① Dismantle the schematic diagram
 ① Dismantle the schematic diagram

Step 1 : Pull the rails apart Passaggio 1: Separare le guide

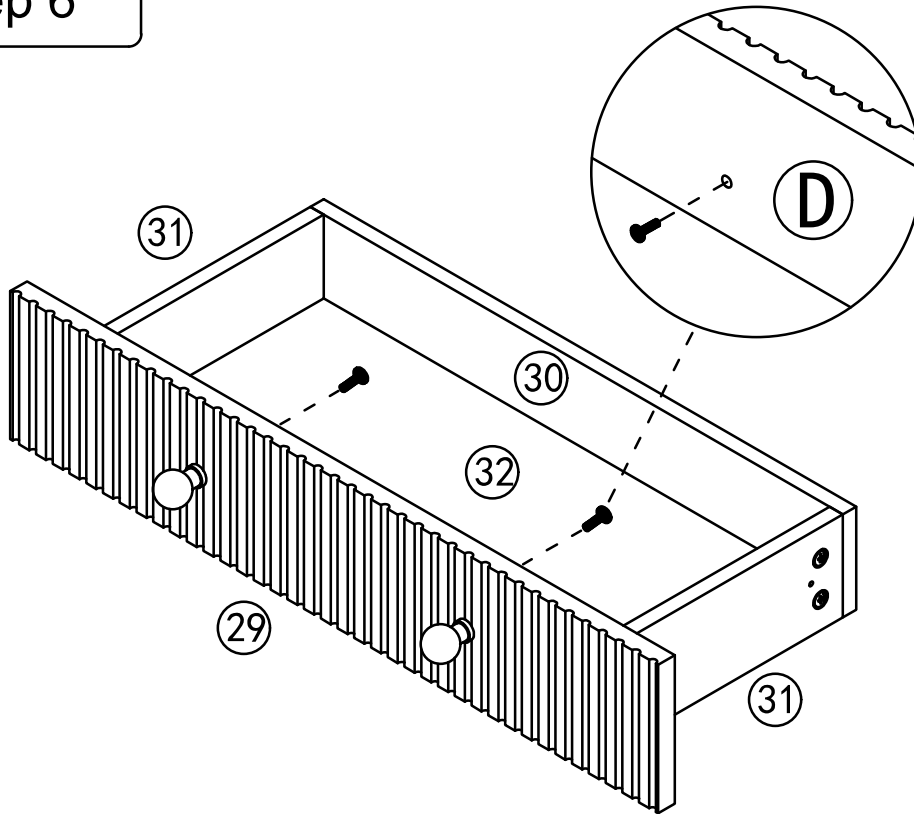
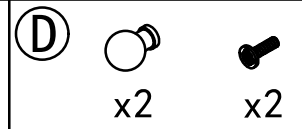


Passaggio 2: Premere il pulsante in nylon ed estrarlo ①.
 Step 2 : Press the nylon button and pull out ①.

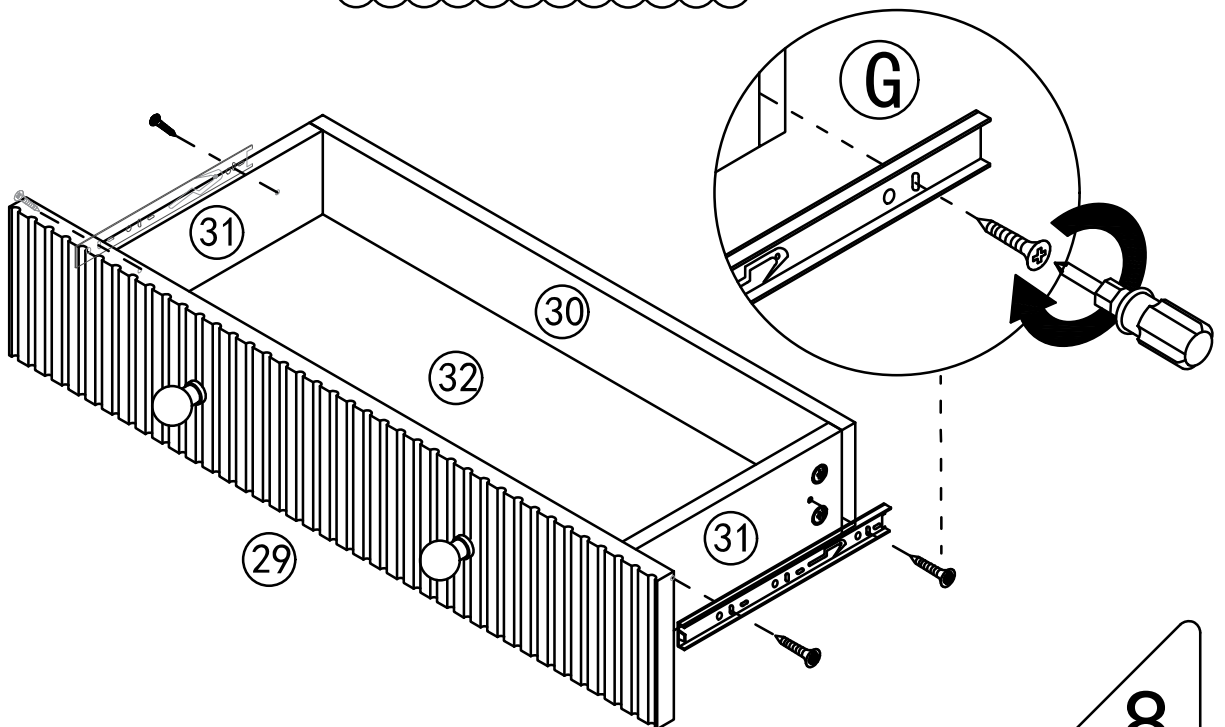
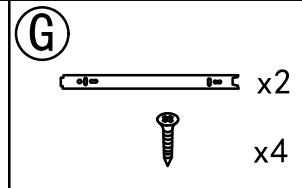
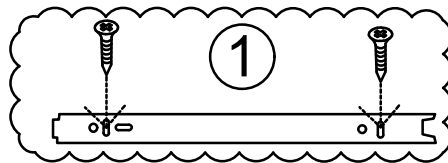
Schema elettrico della scomposizione delle guide del cassetto completata
 Drawer rail decomposition completed schematic diagram



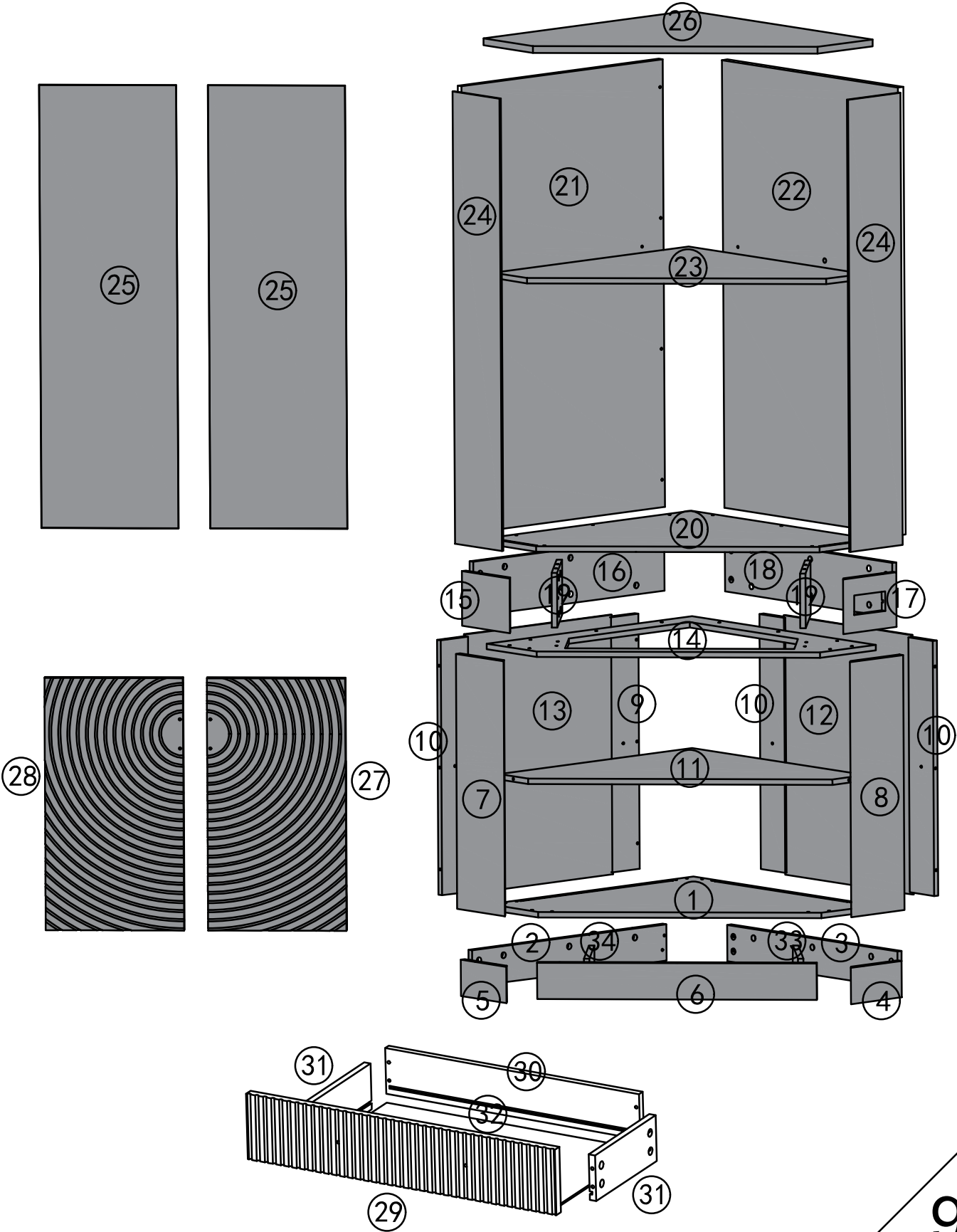
Step 6



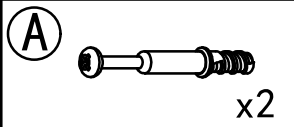
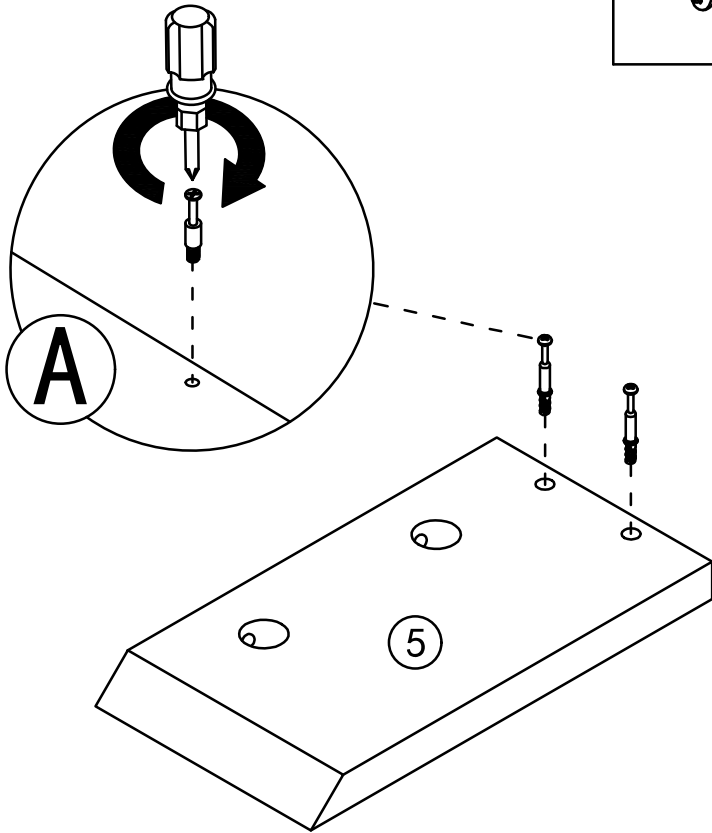
Step 7



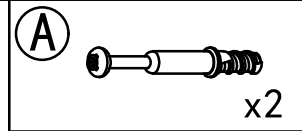
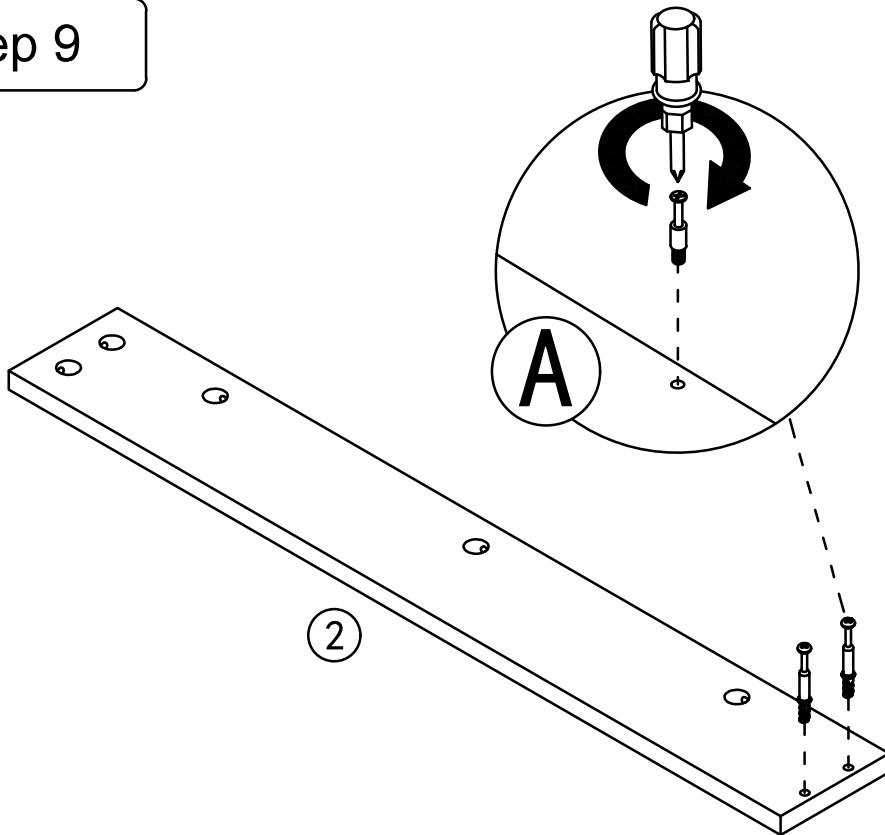
Product structure decomposition



Step 8

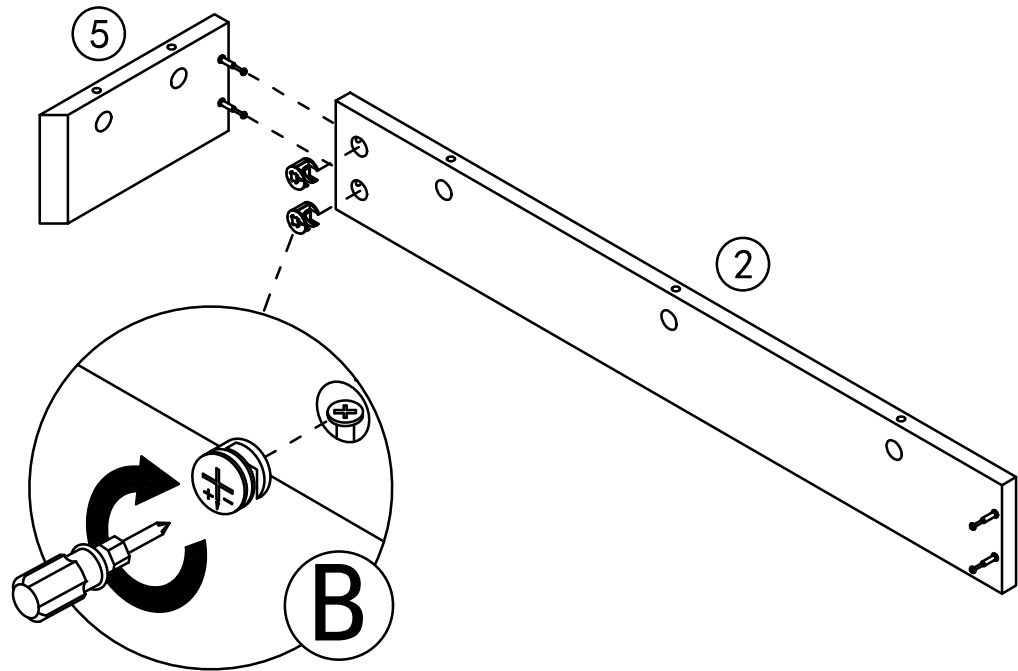
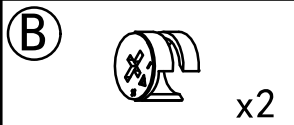


Step 9

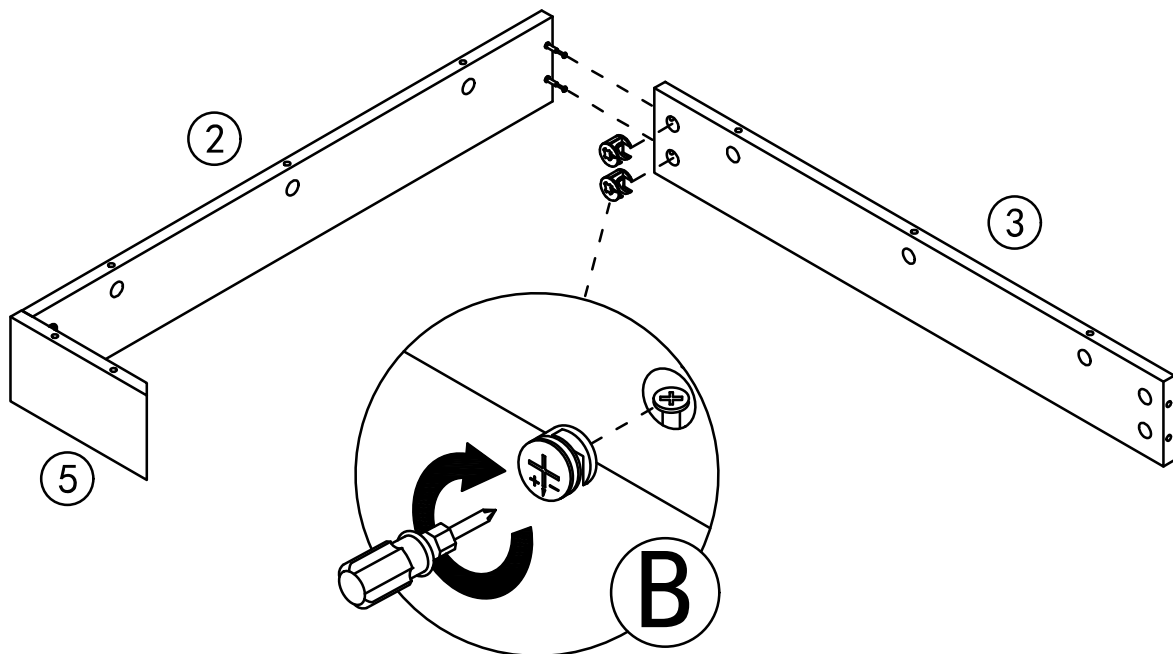
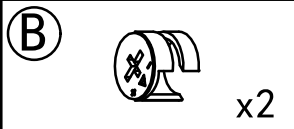


10

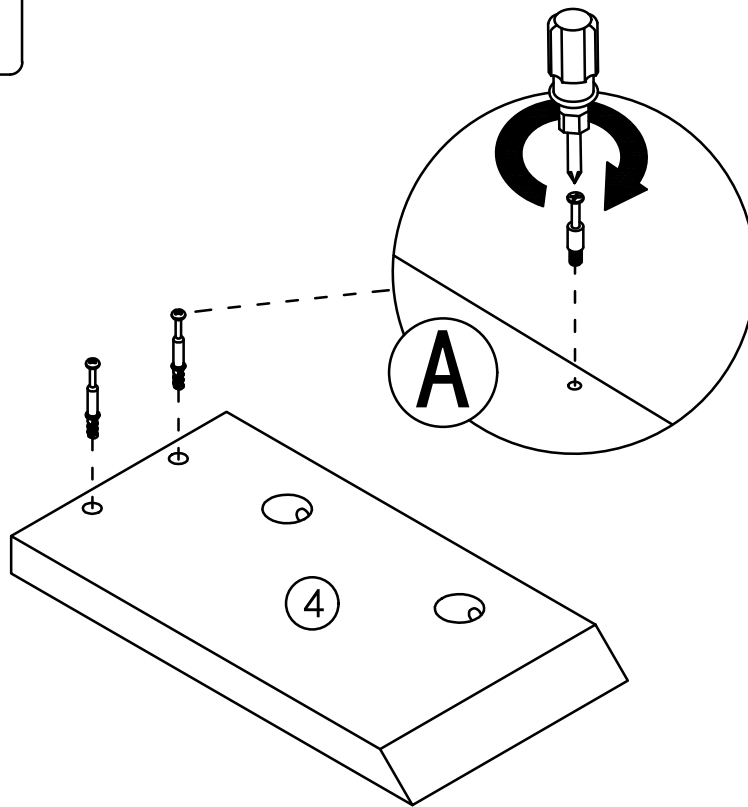
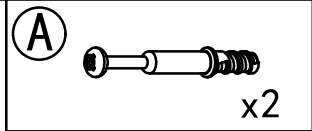
Step 10



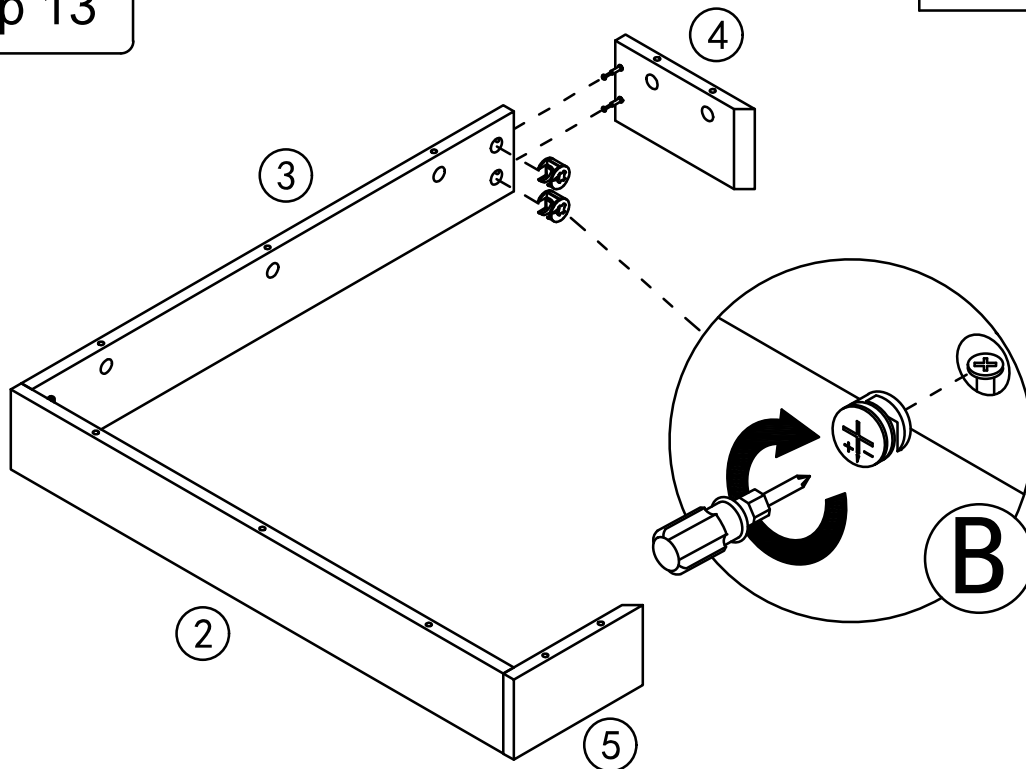
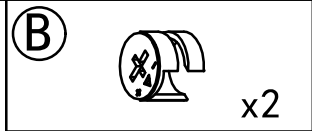
Step 11



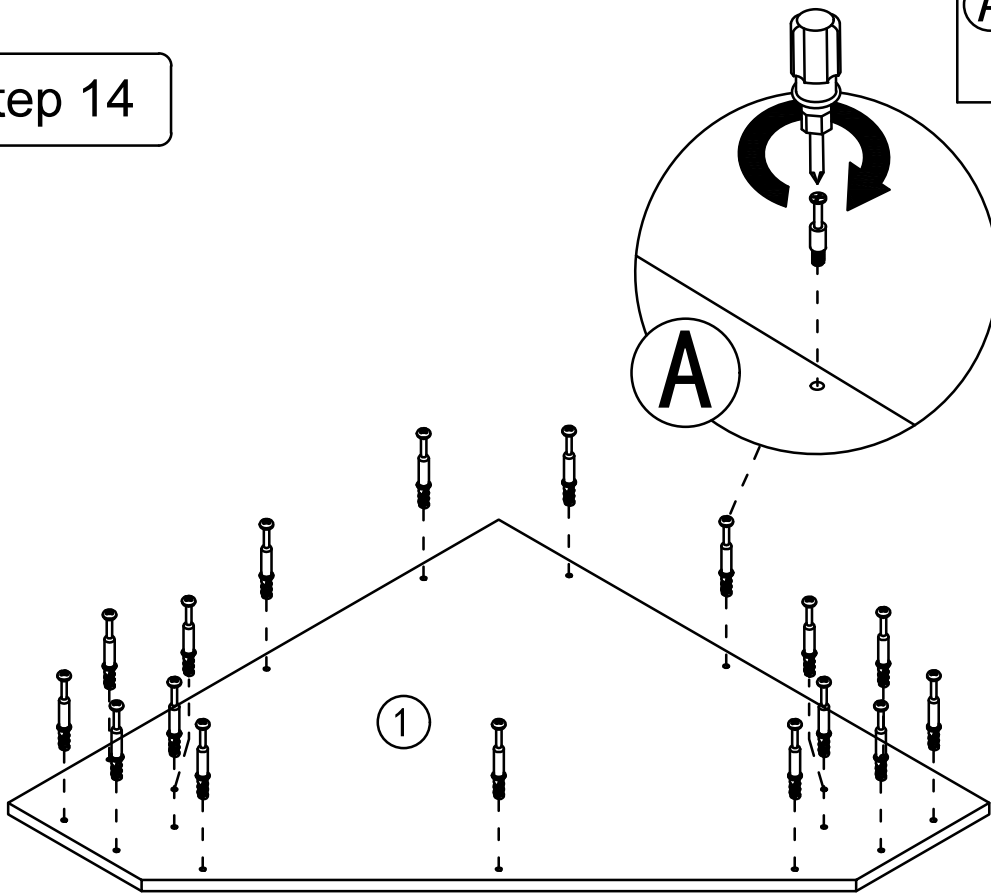
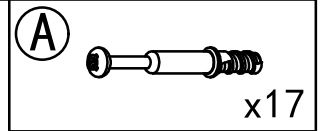
Step 12



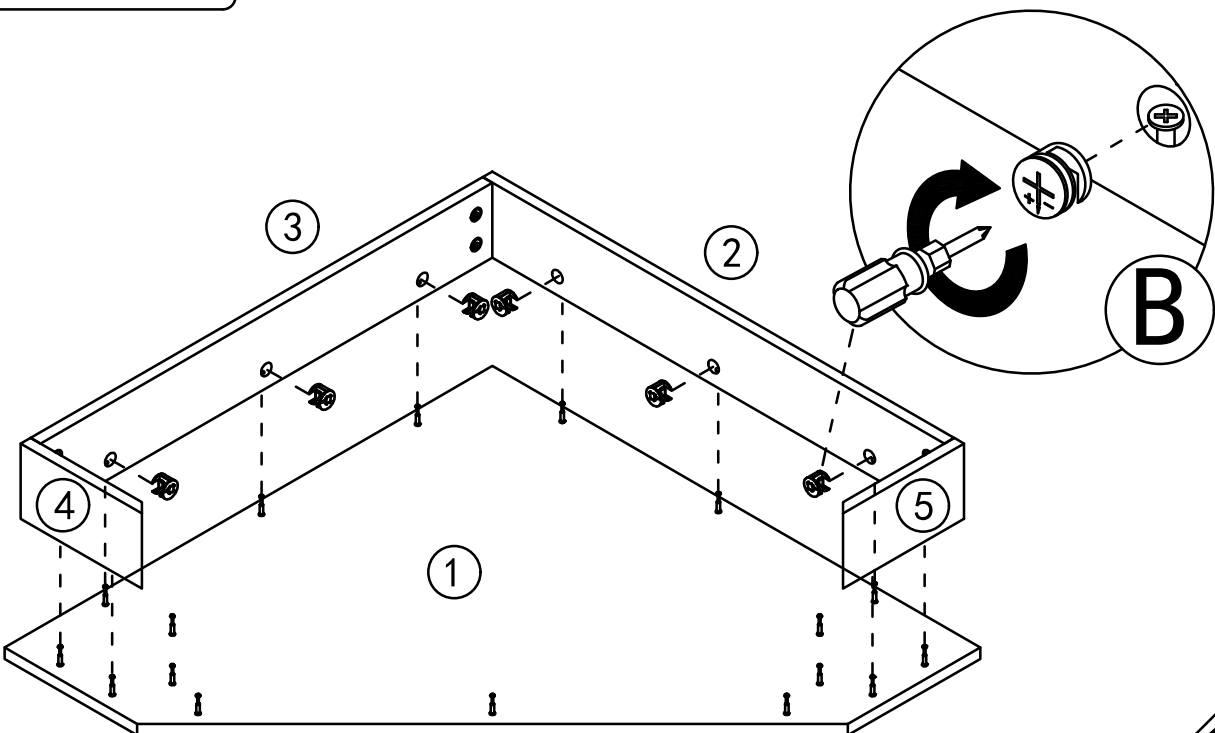
Step 13



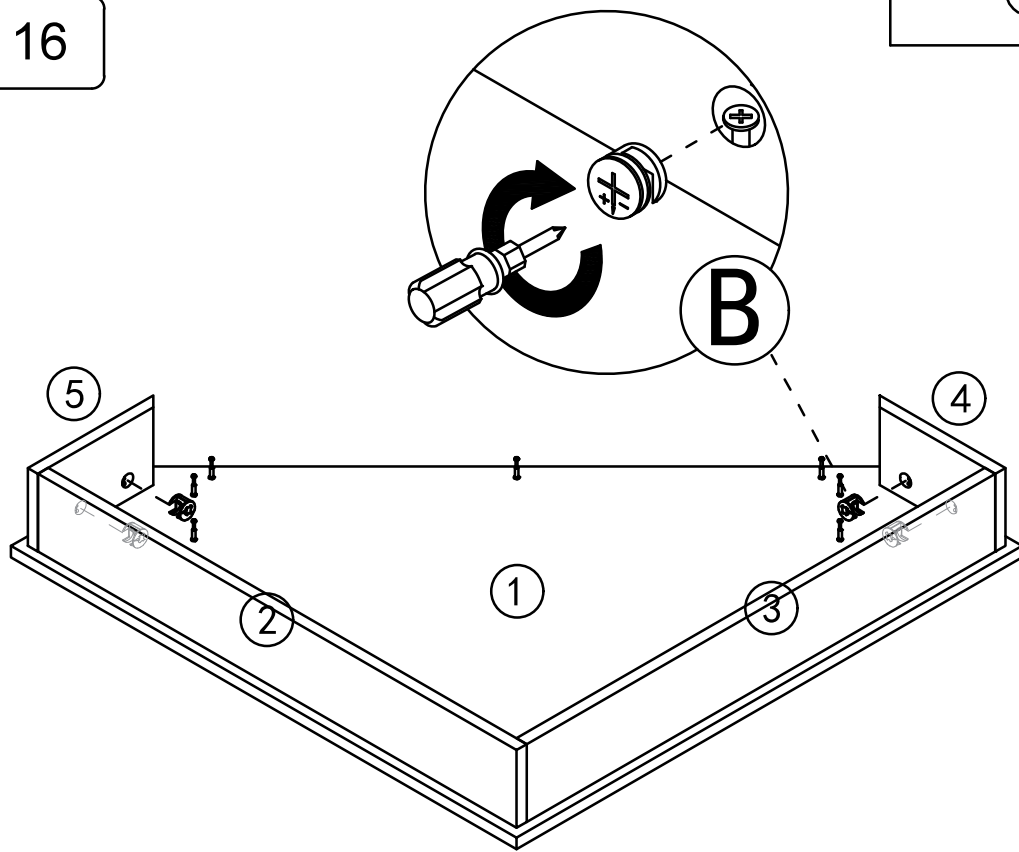
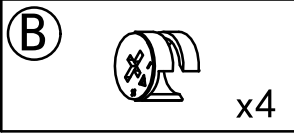
Step 14



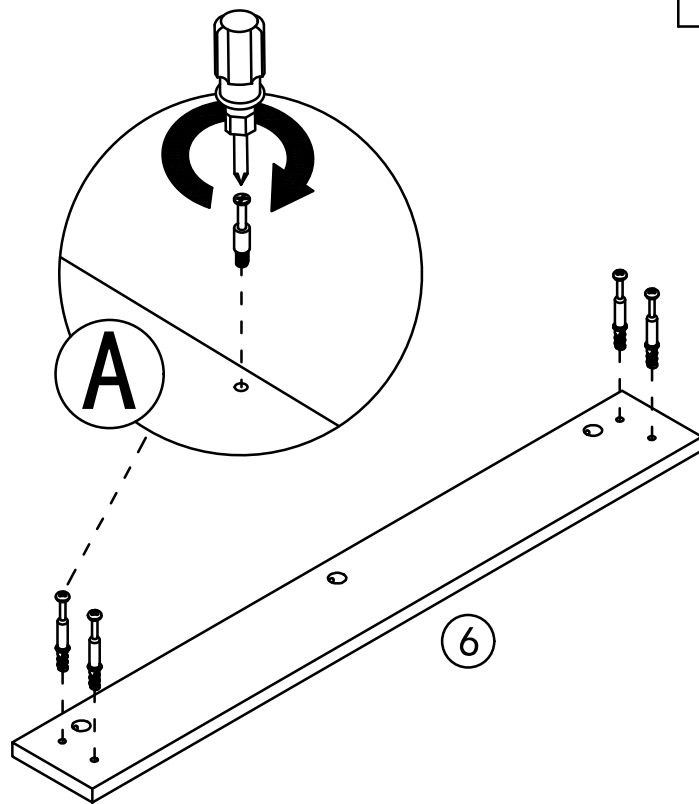
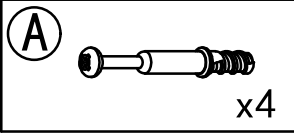
Step 15



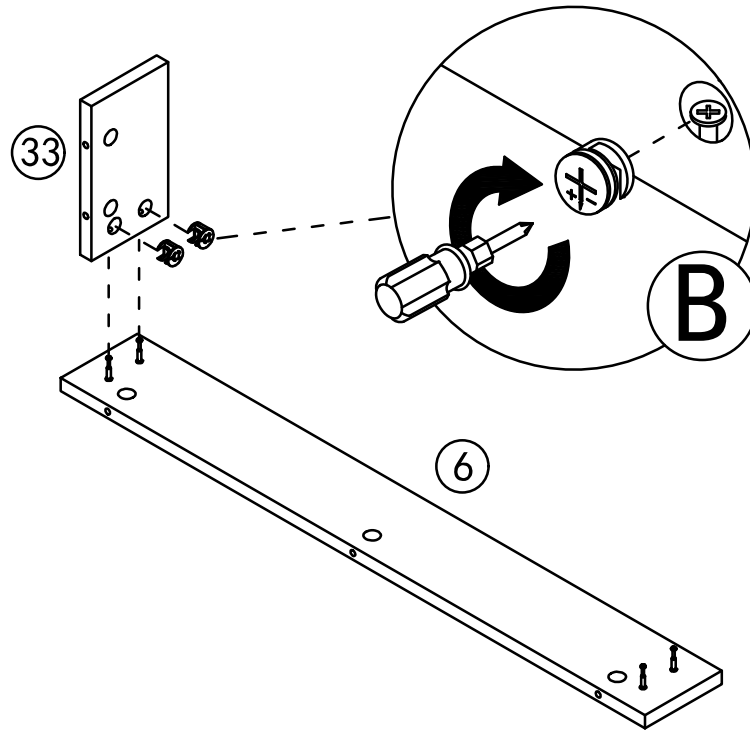
Step 16



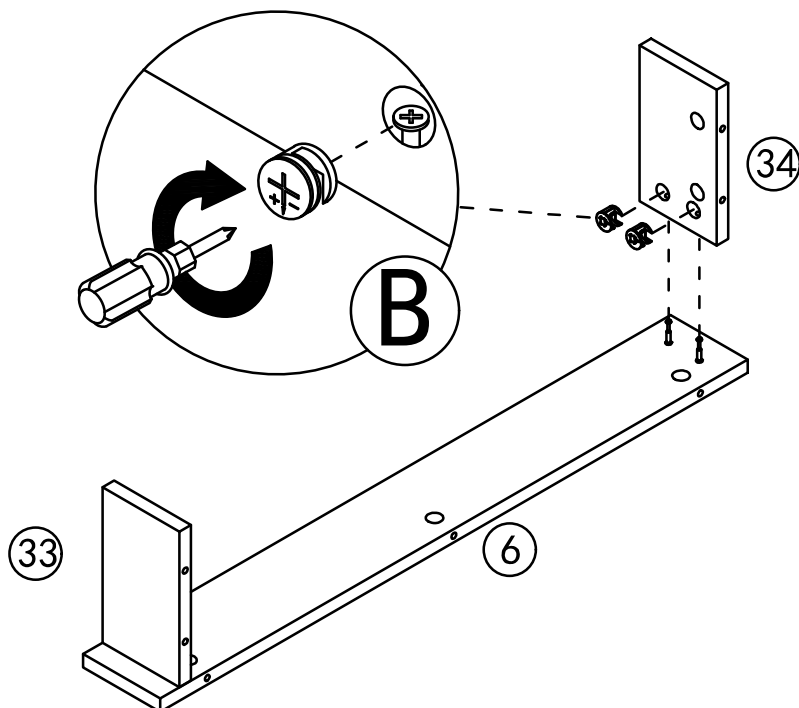
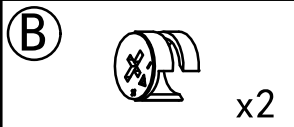
Step 17




Step 18

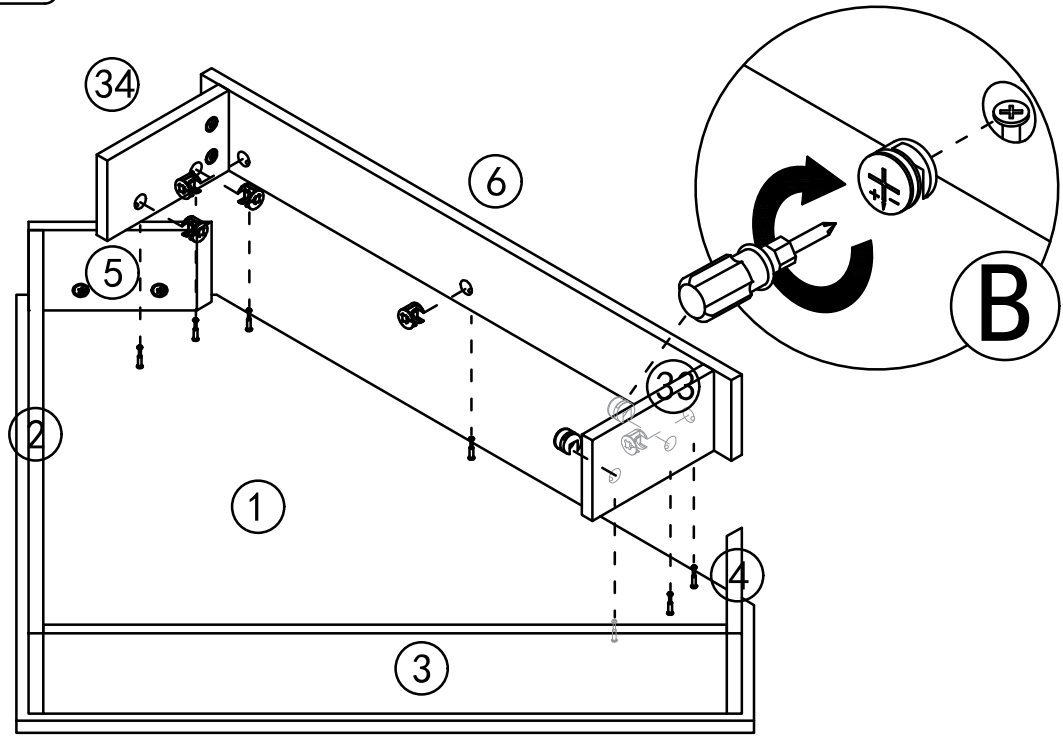


Step 19

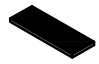


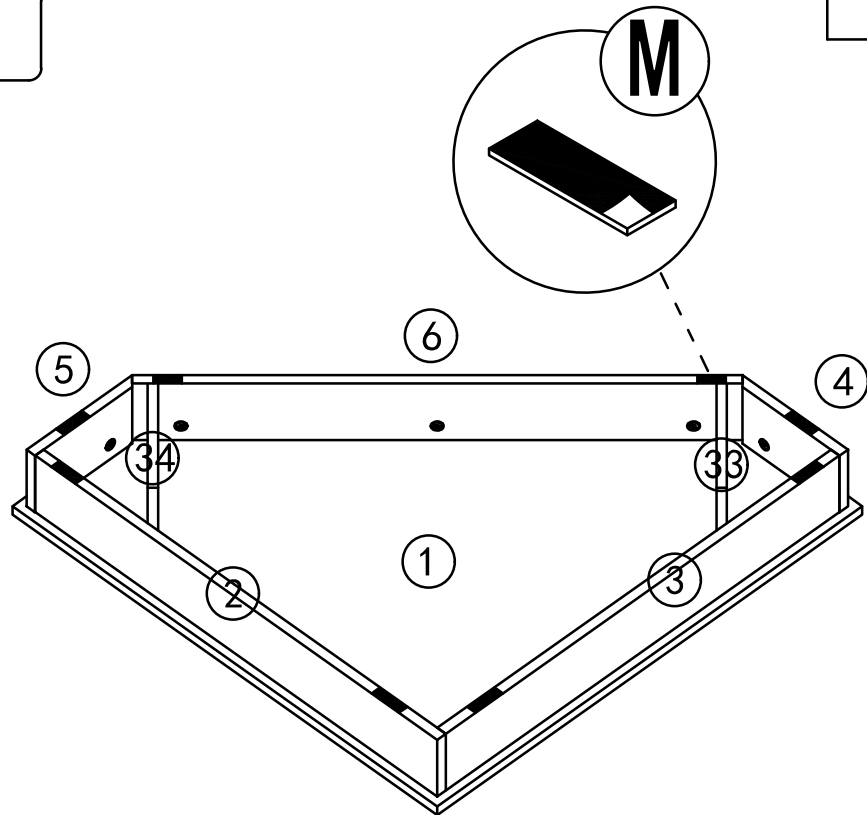
Step 20

B  x7

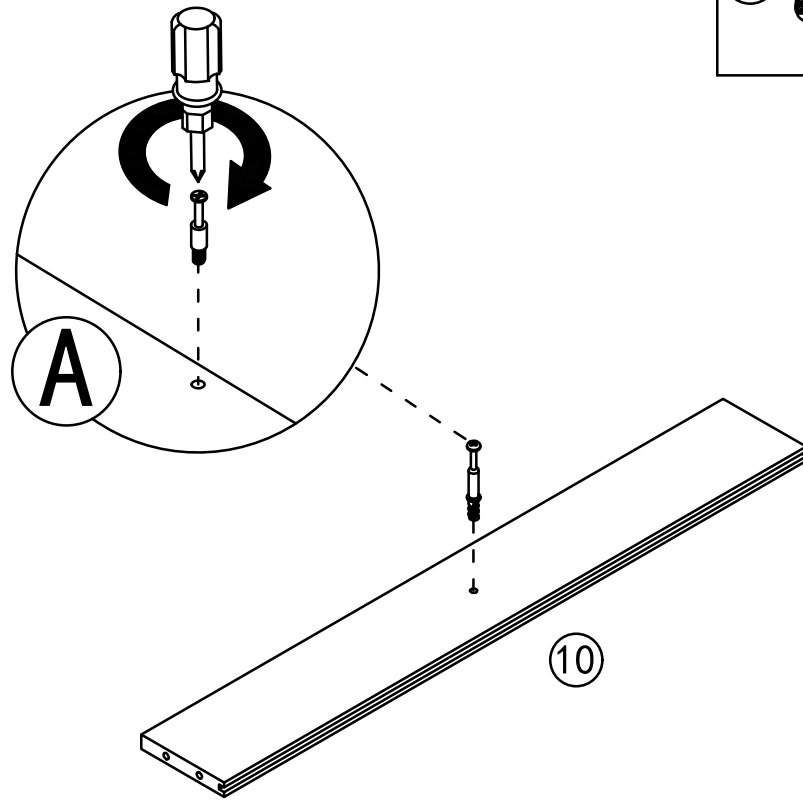
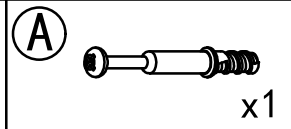


Step 21

M  x8

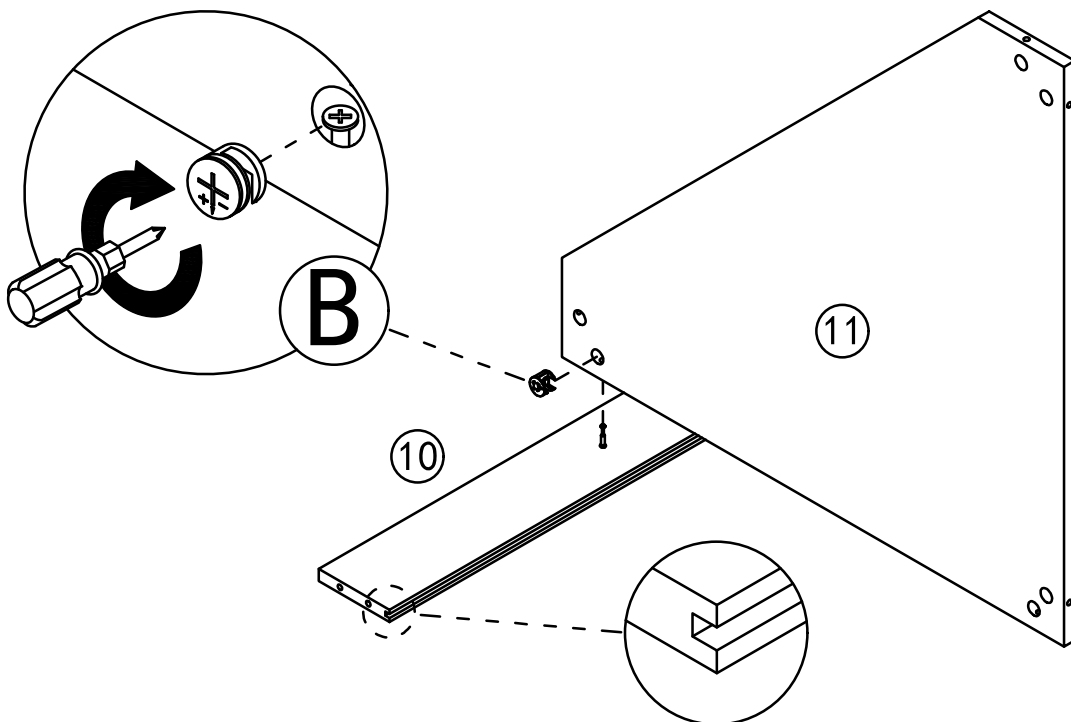


Step 22

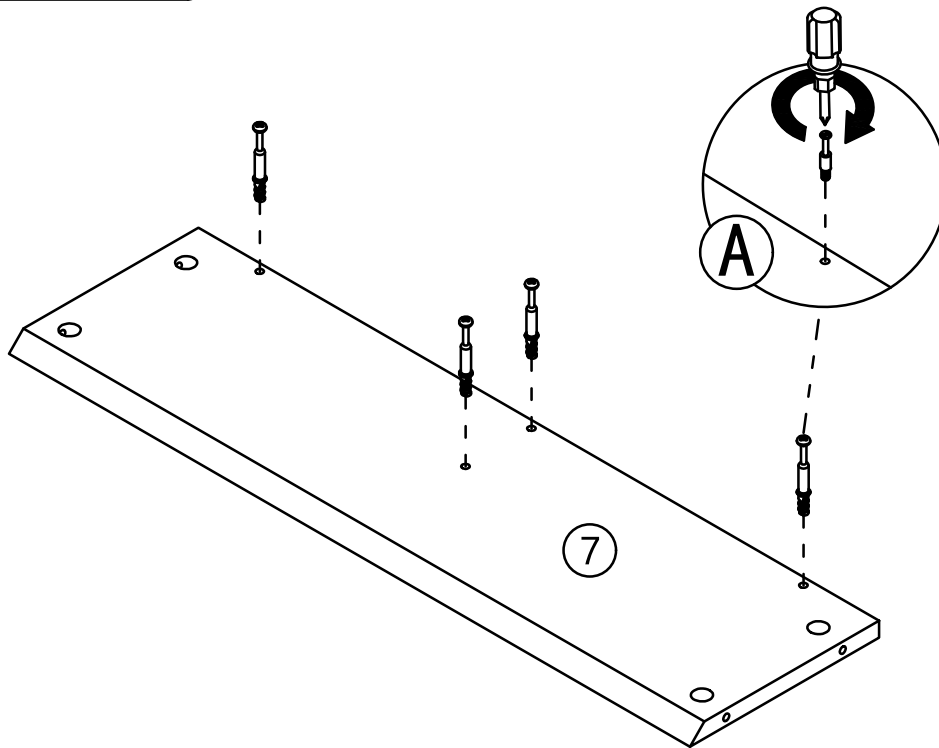
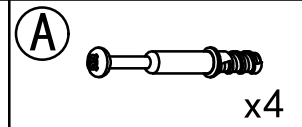


Repeat this step three times

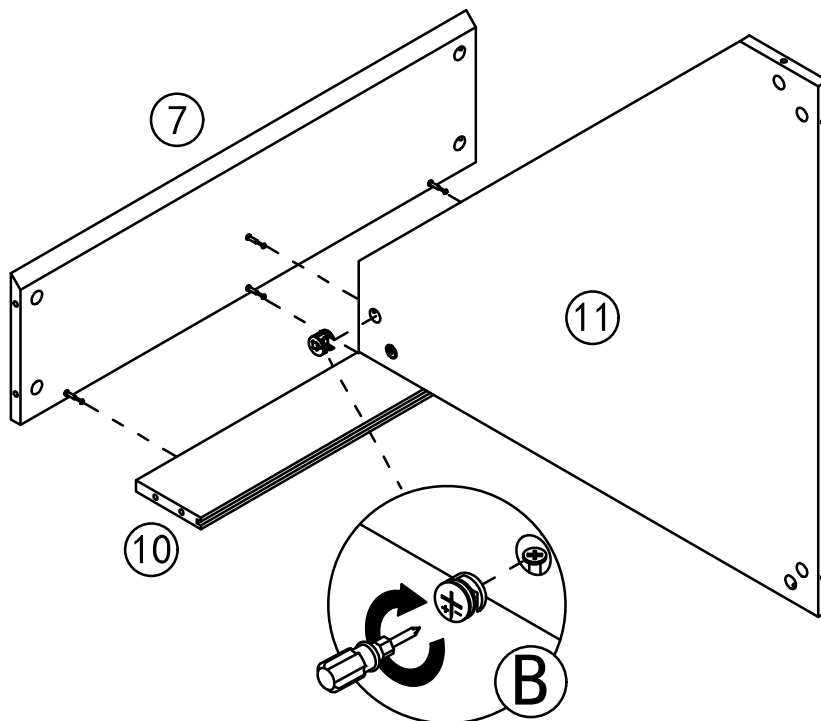
Step 23




Step 24

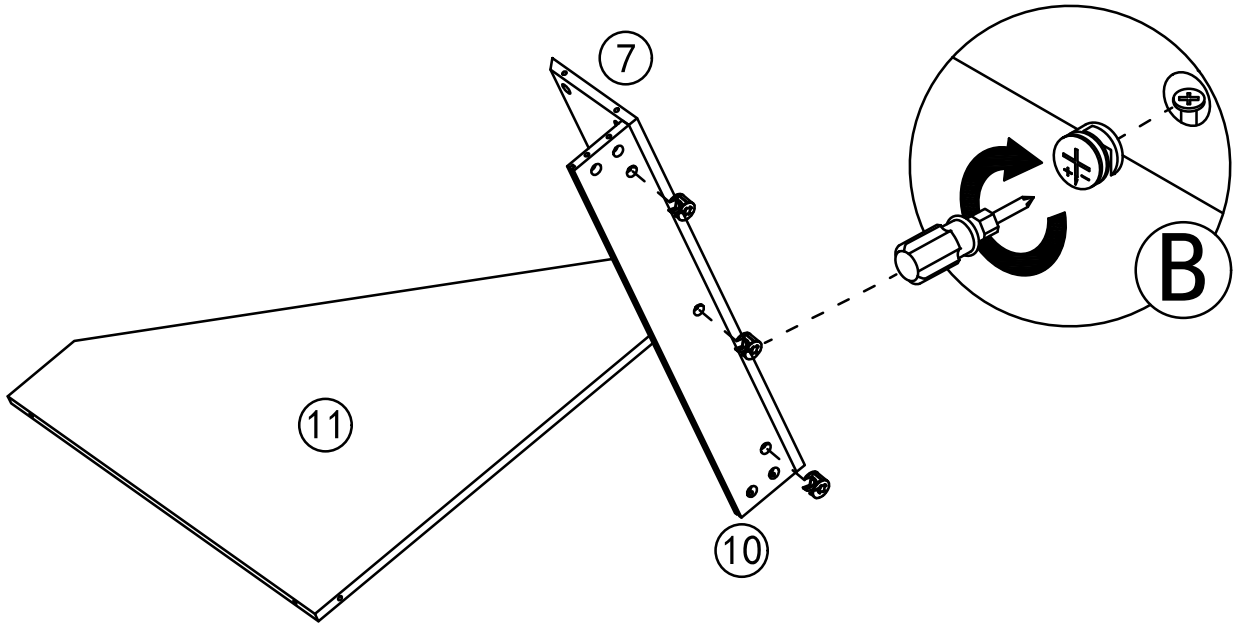


Step 25



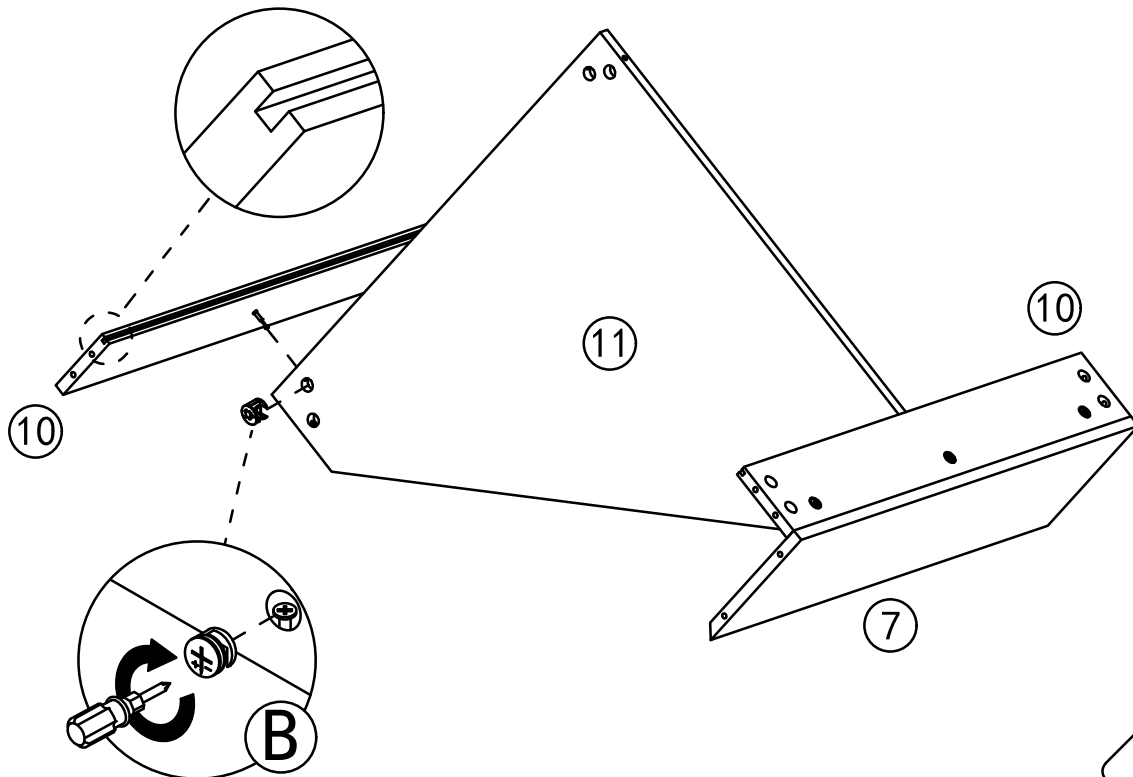
Step 26

(B)  x3

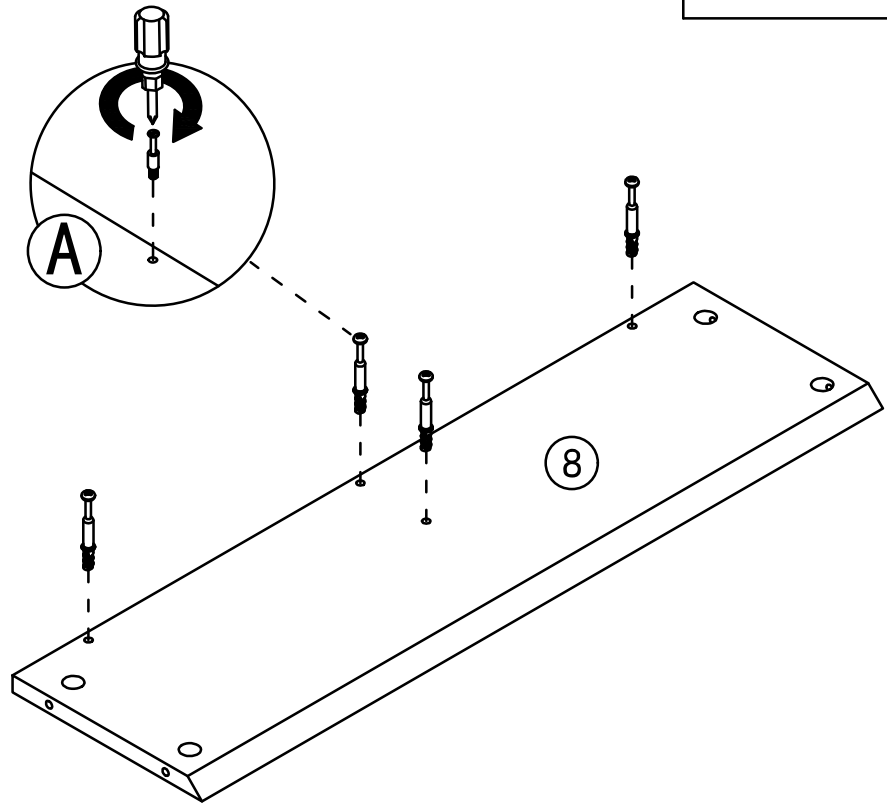
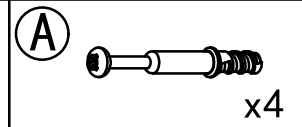


Step 27

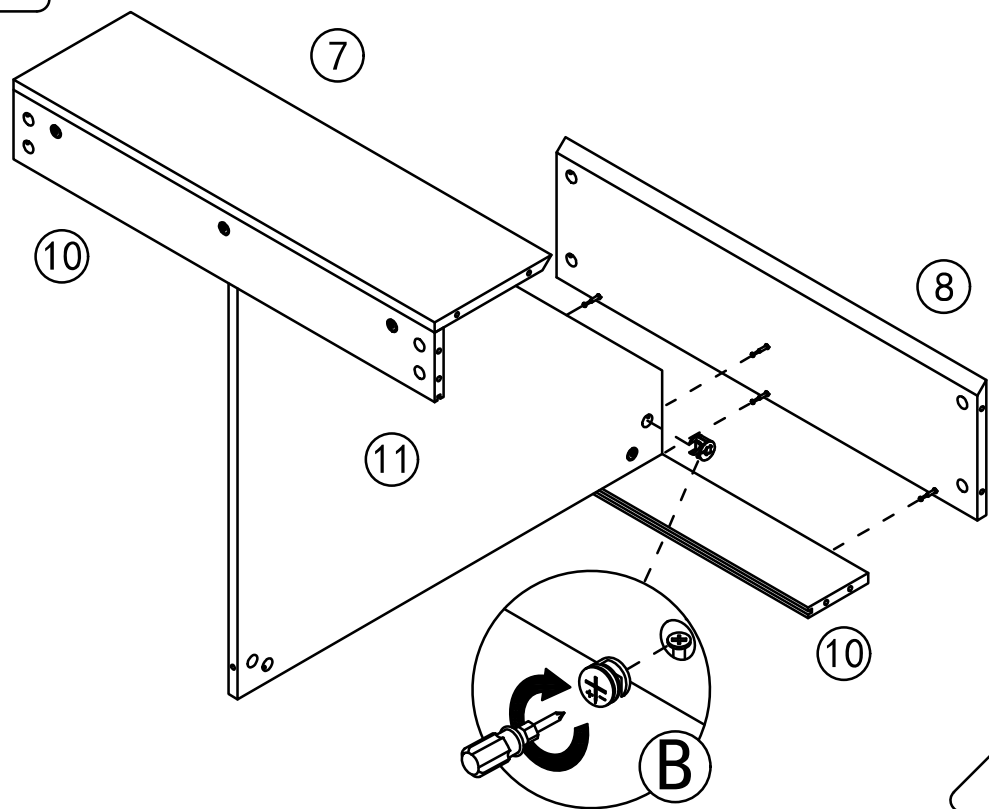
(B)  x1



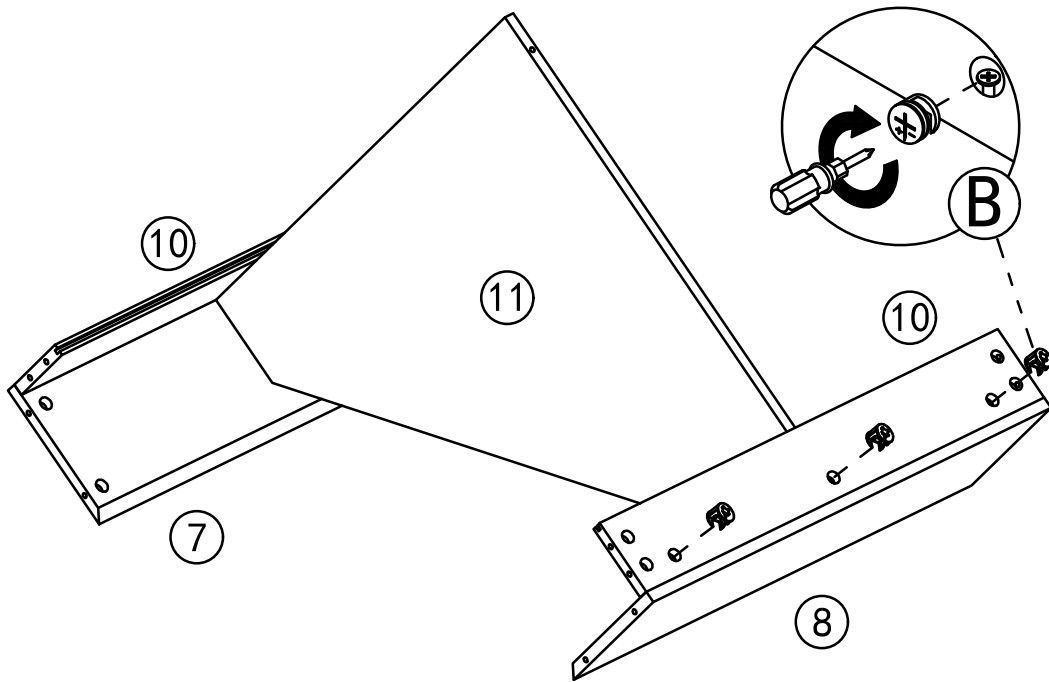
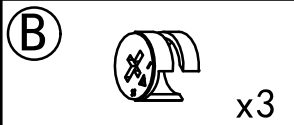
Step 28



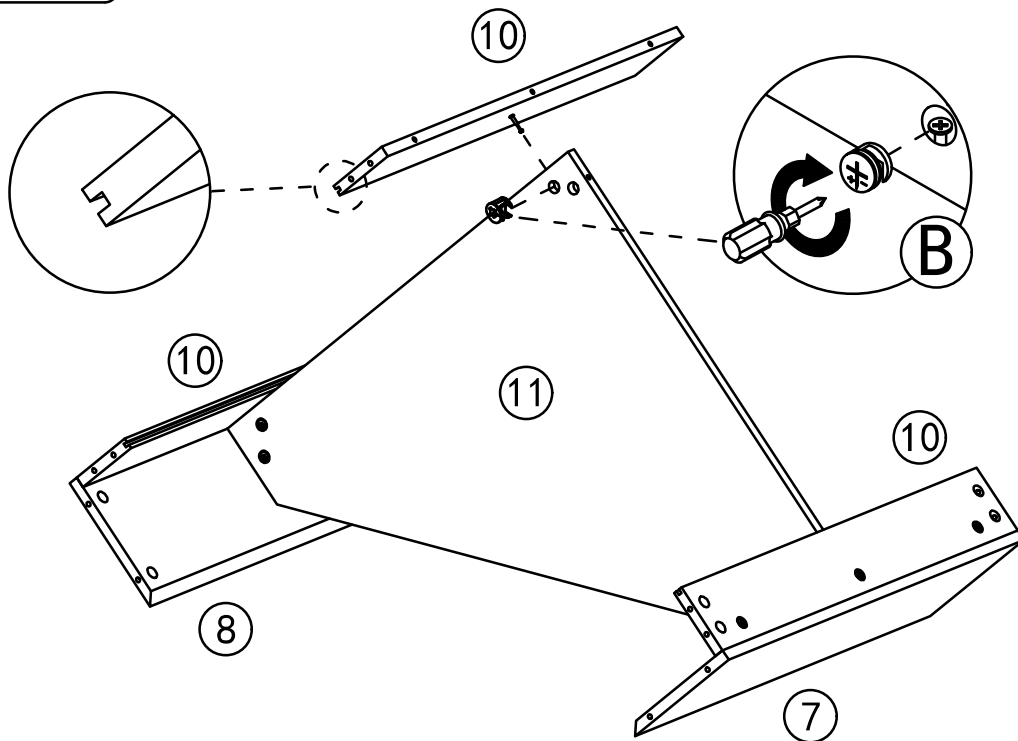
Step 29



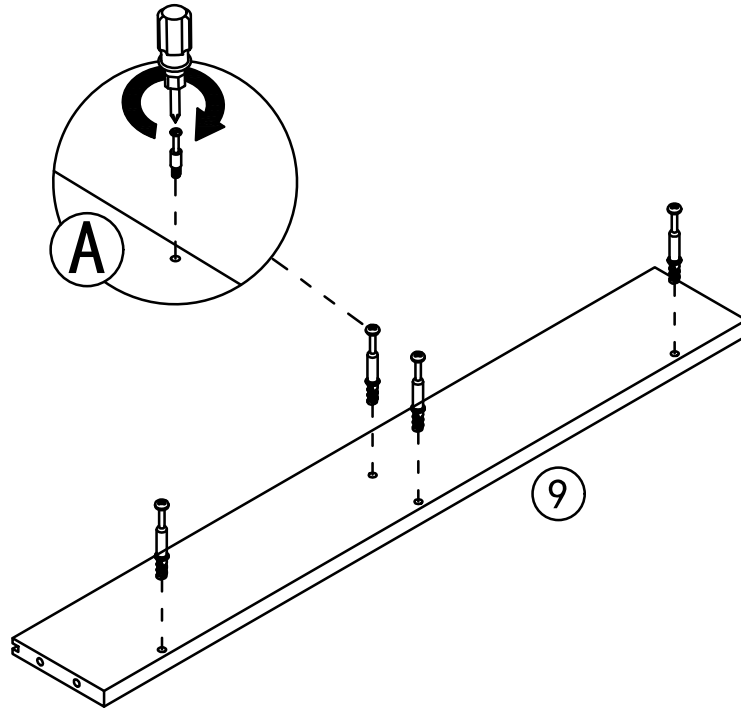
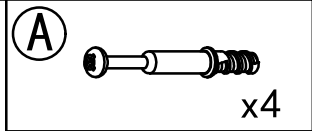
Step 30



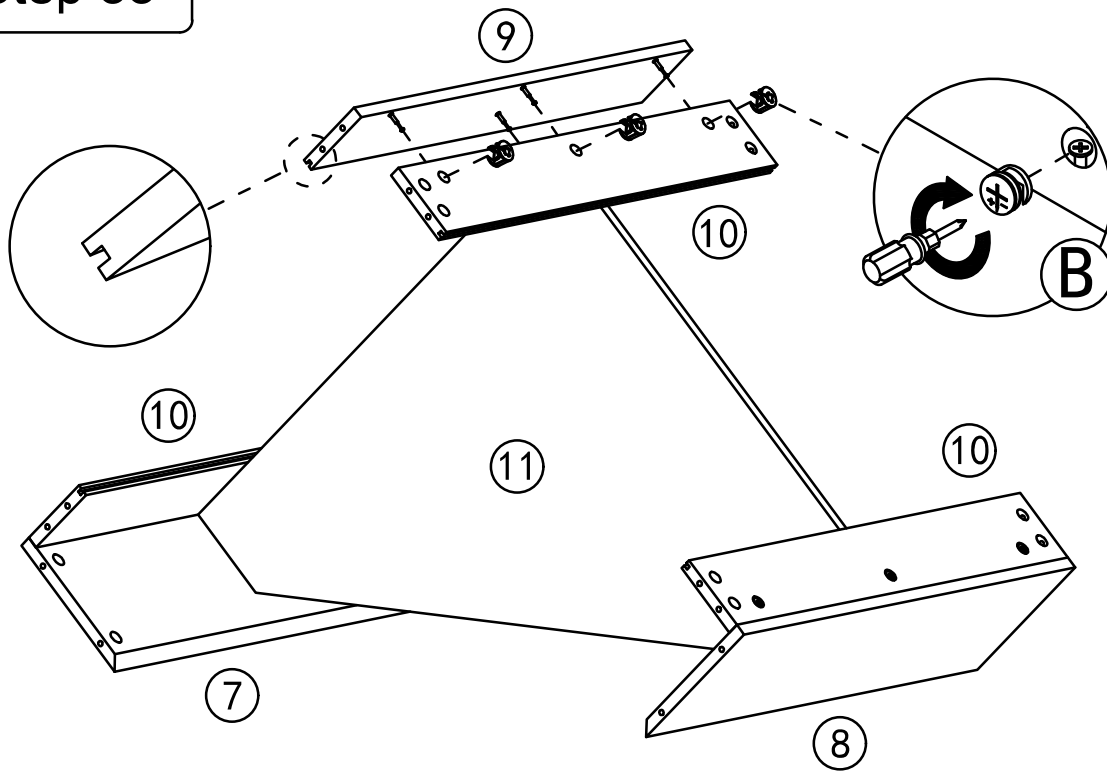
Step 31



Step 32



Step 33

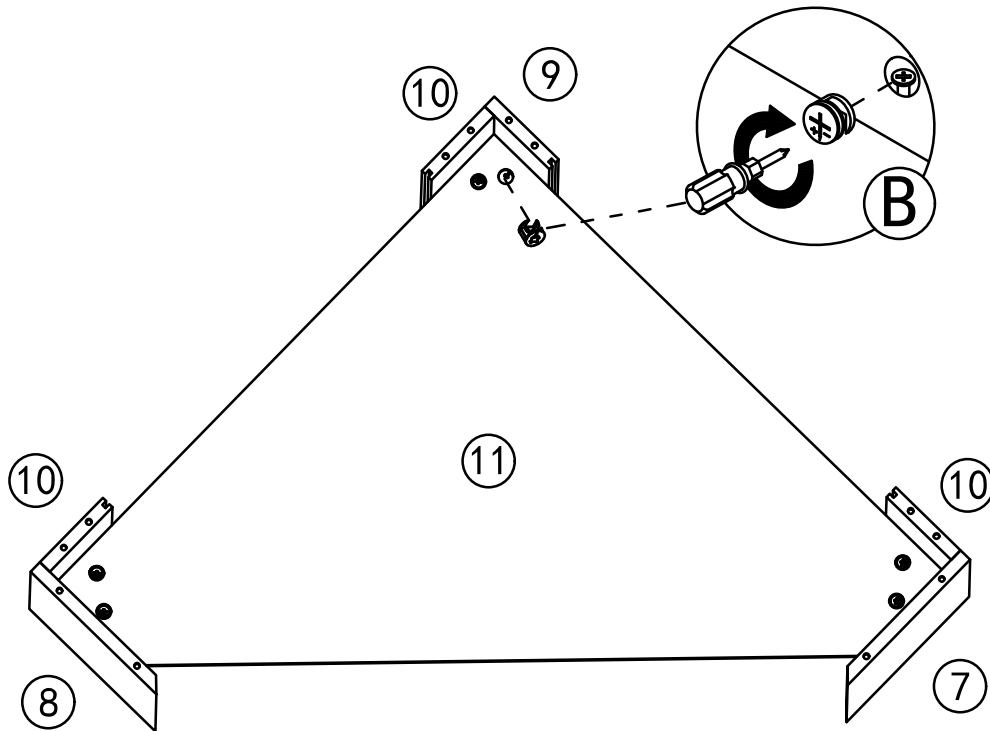


Step 34

(B)

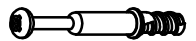


x1

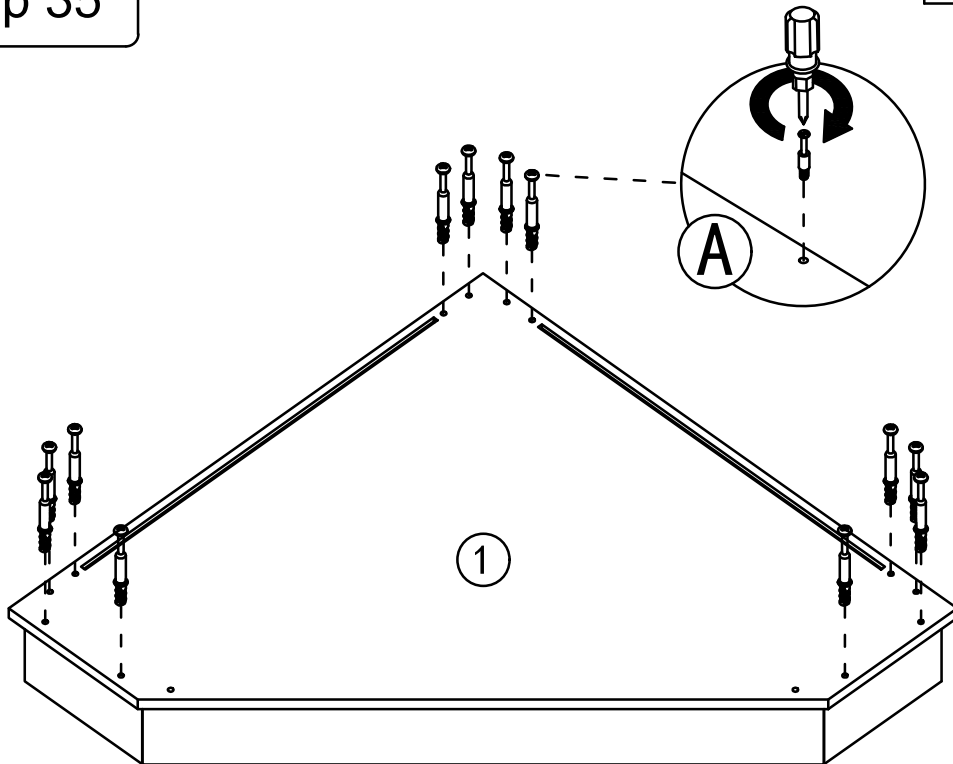


Step 35

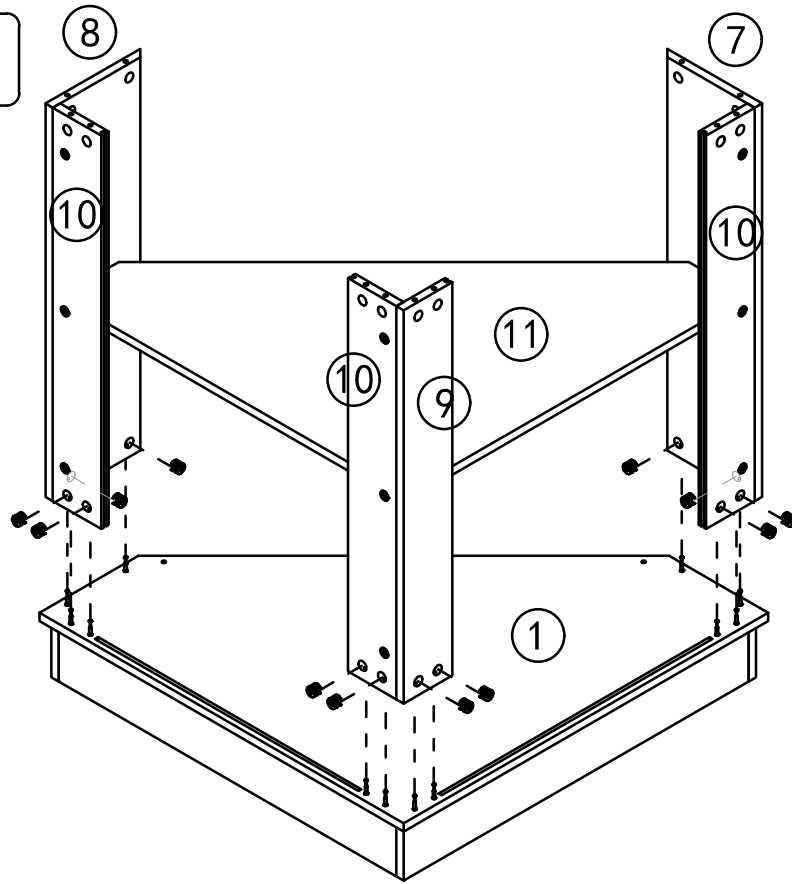
(A)



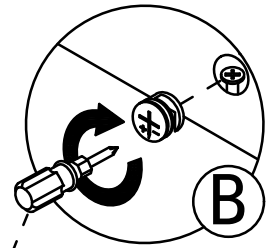
x12



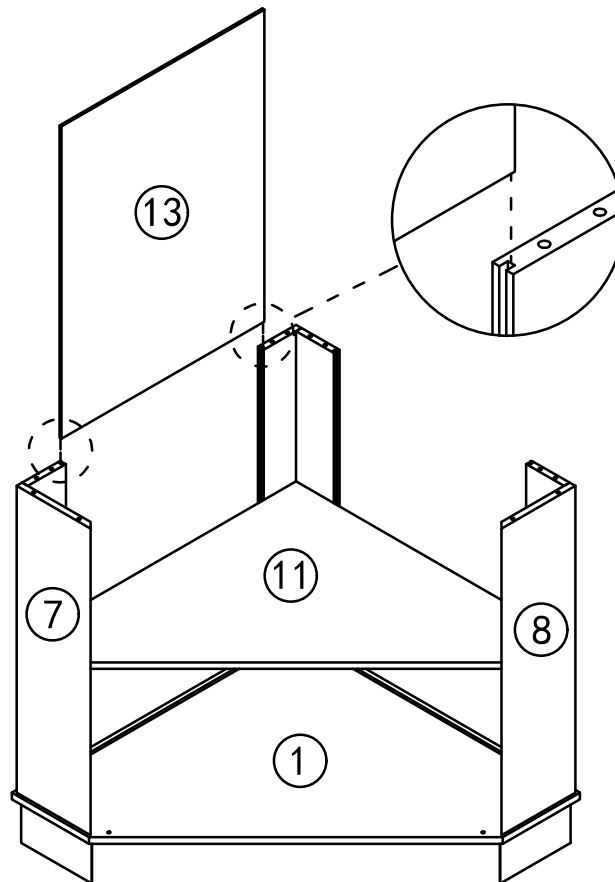
Step 36



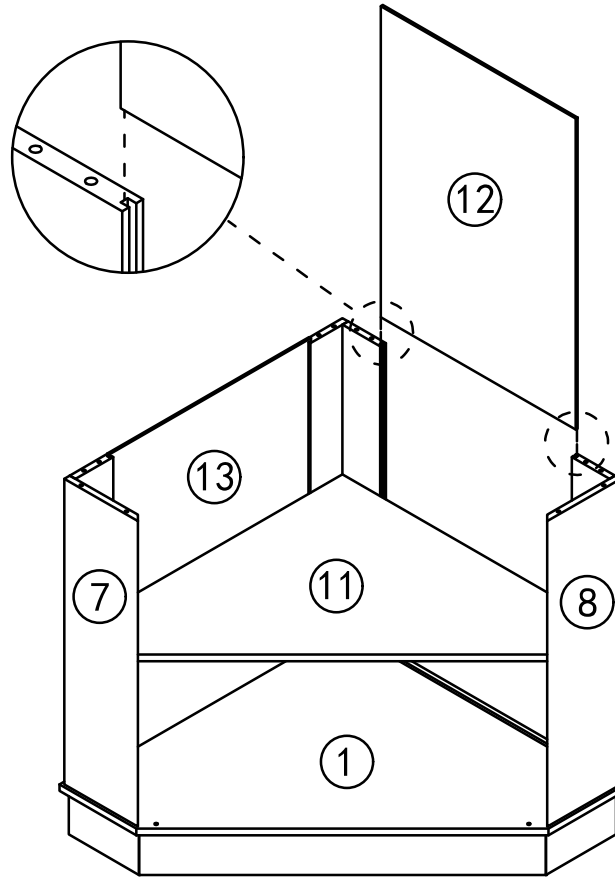
B  x12



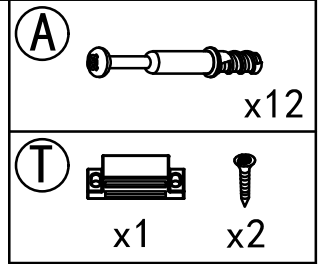
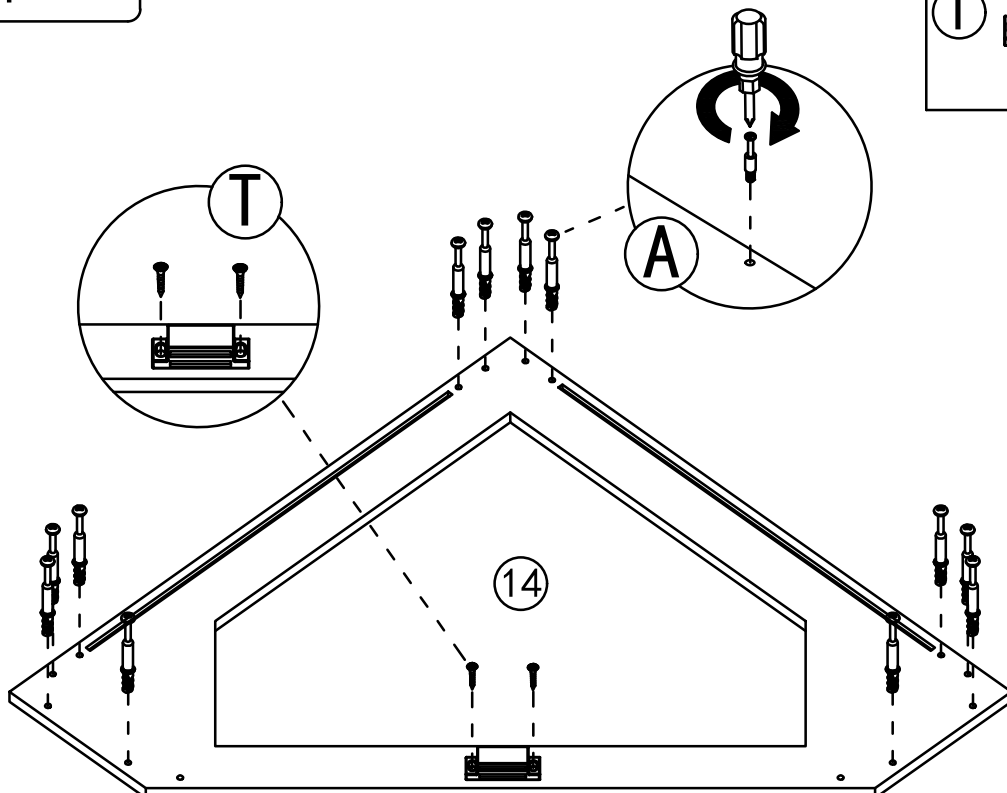
Step 37



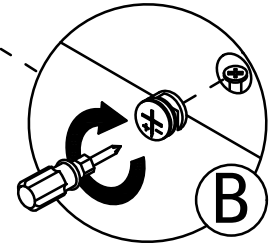
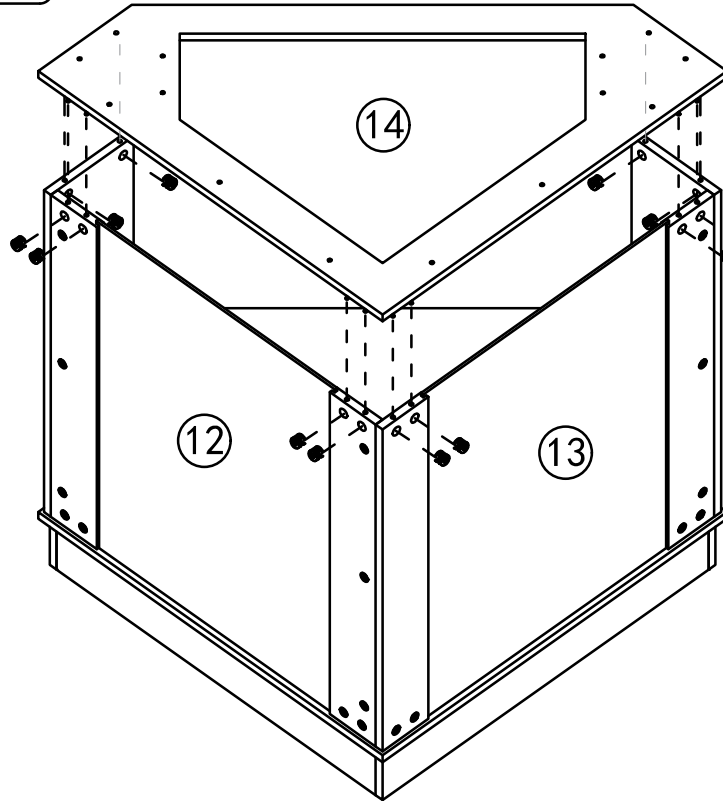
Step 38



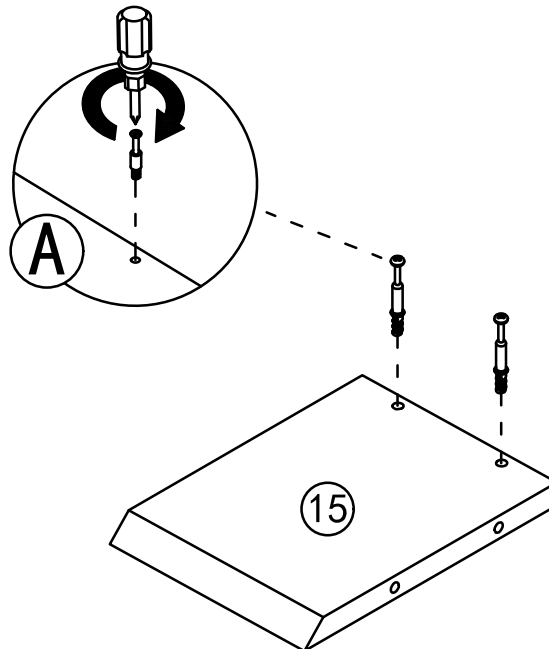
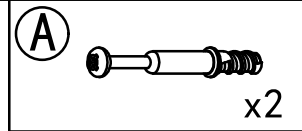
Step 39



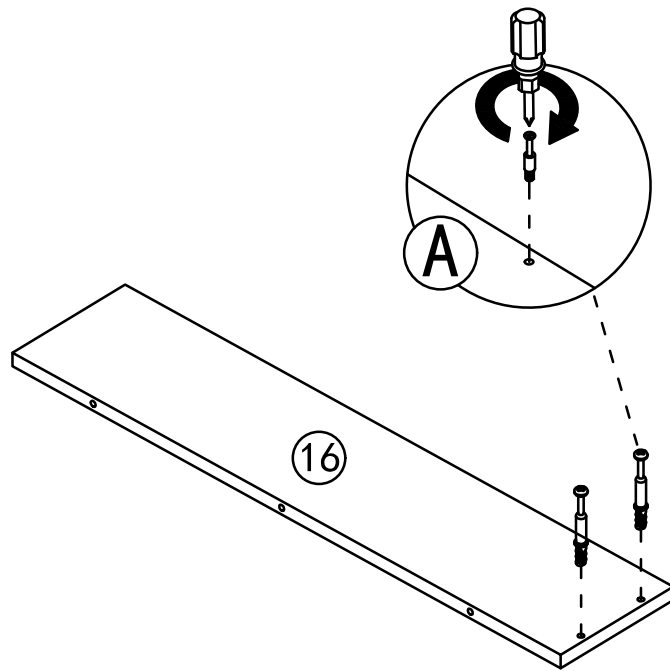
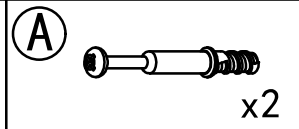
Step 40



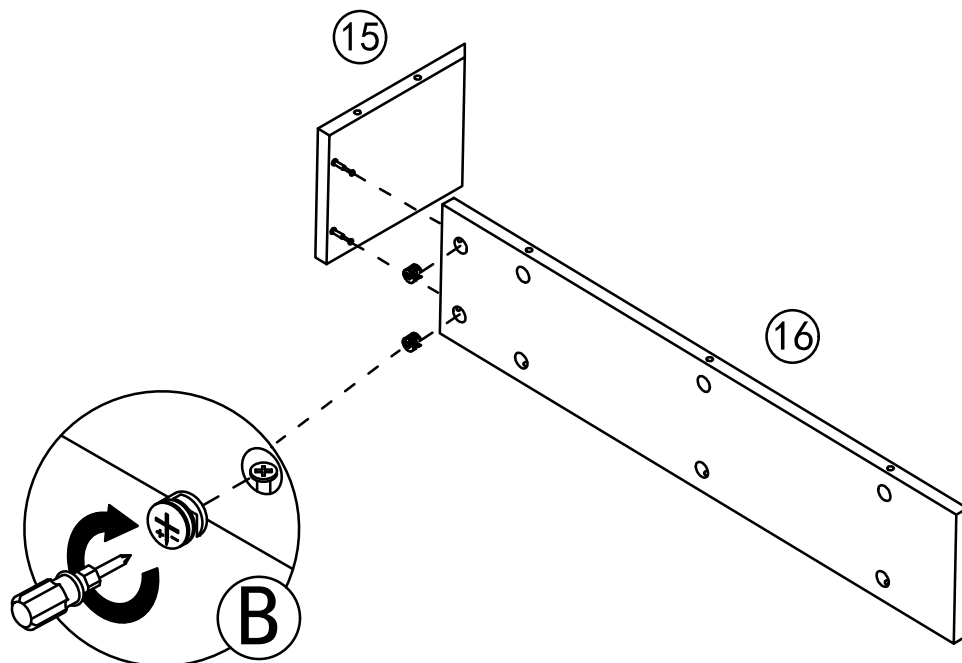
Step 41



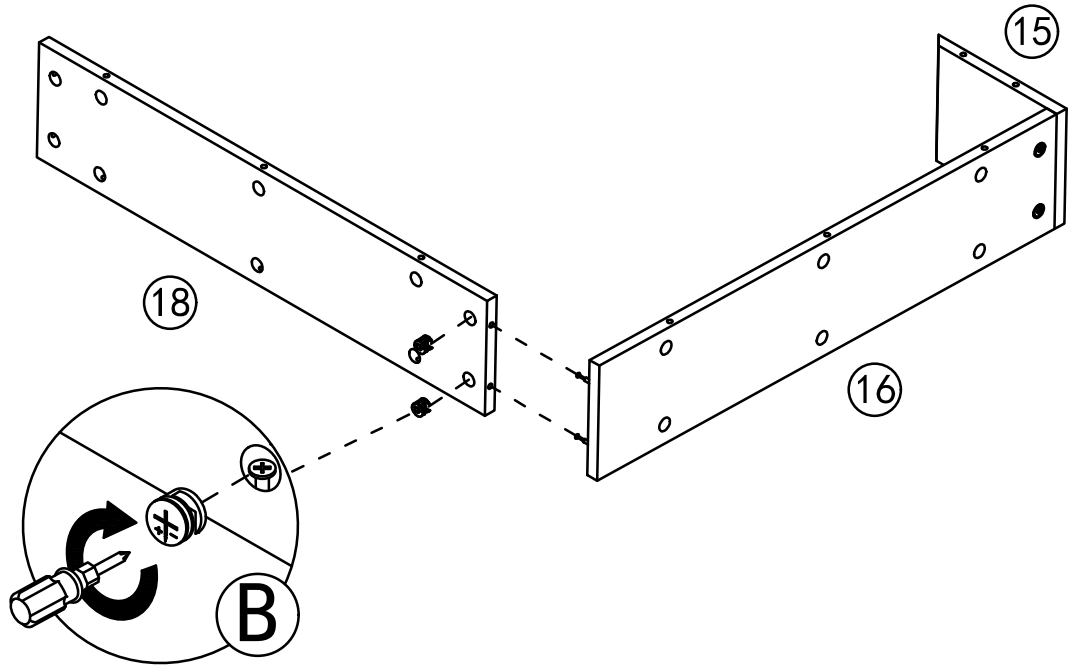
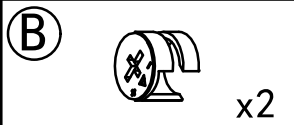
Step 42



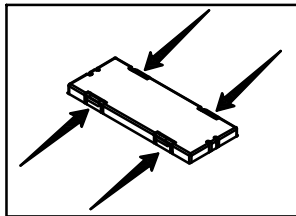
Step 43



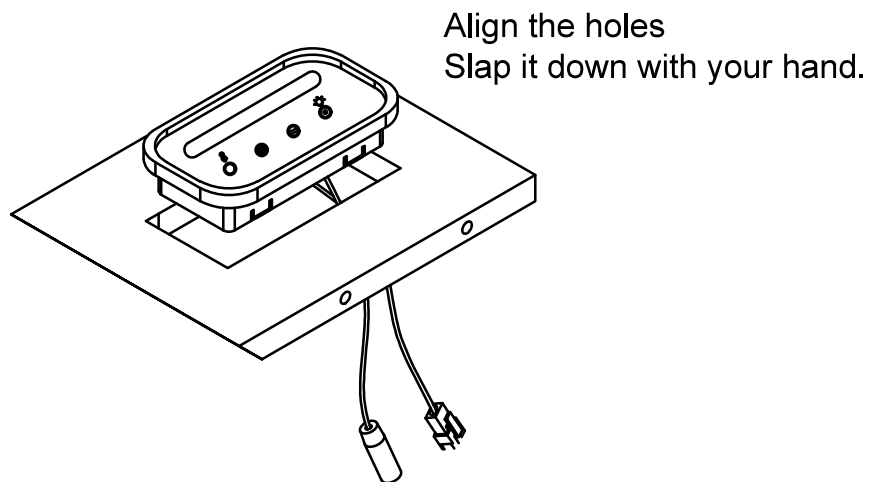
Step 44



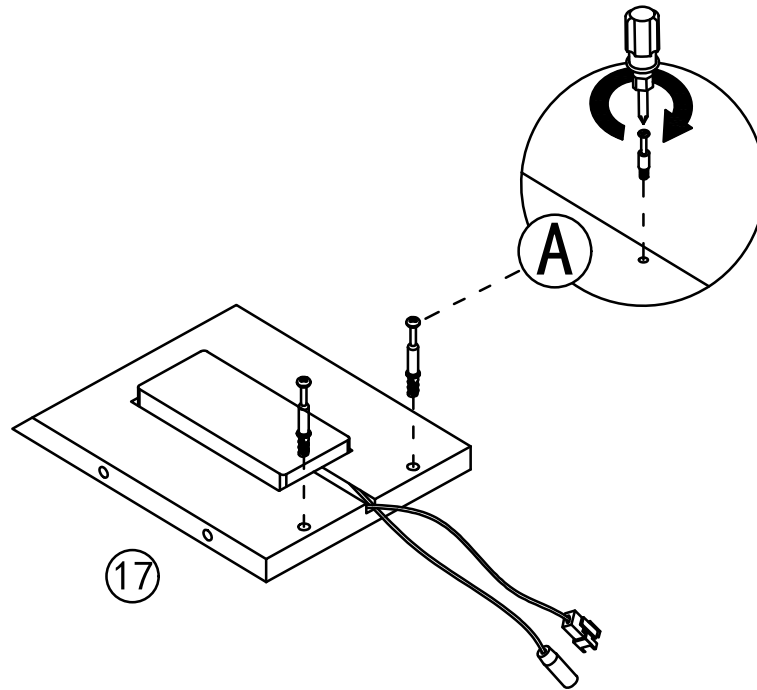
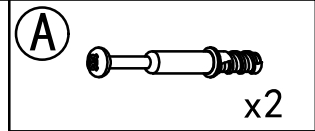
Step 45



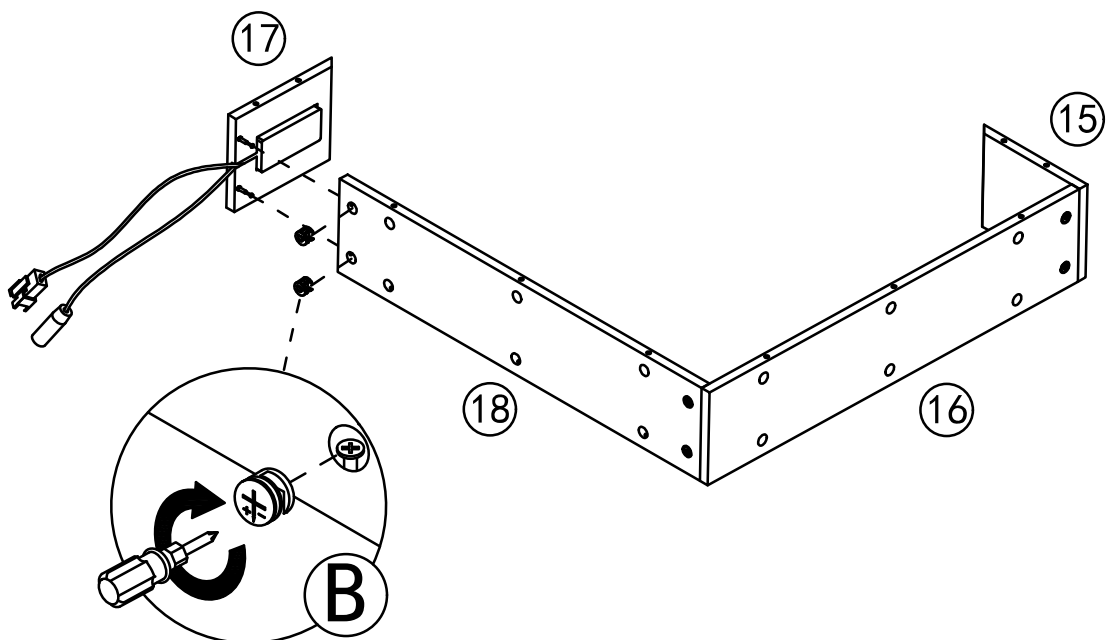
87018 A23 Four on the back of the box protruding part Press together The box will separate from the board



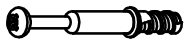
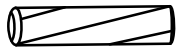
Step 46

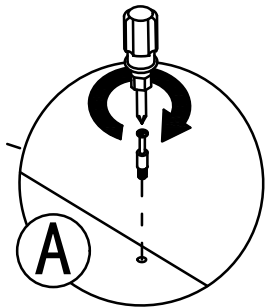
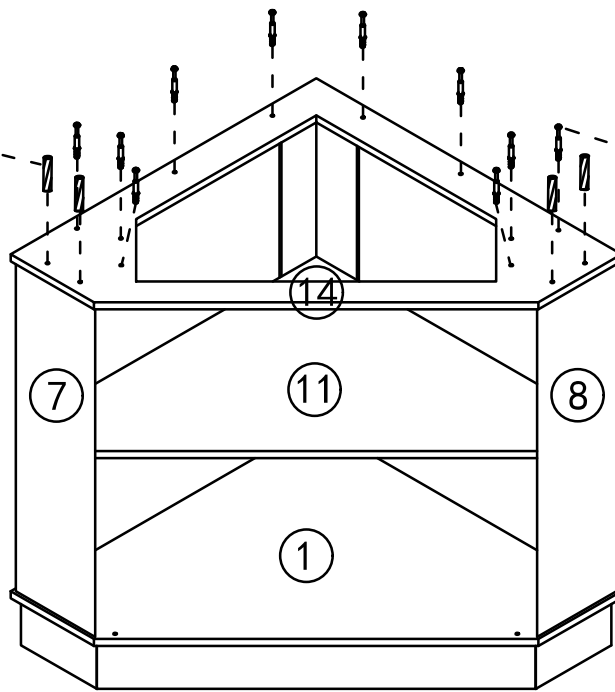
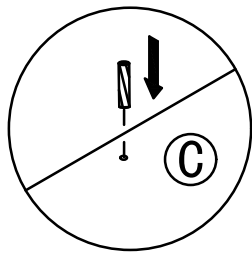


Step 47



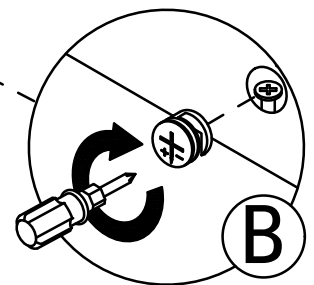
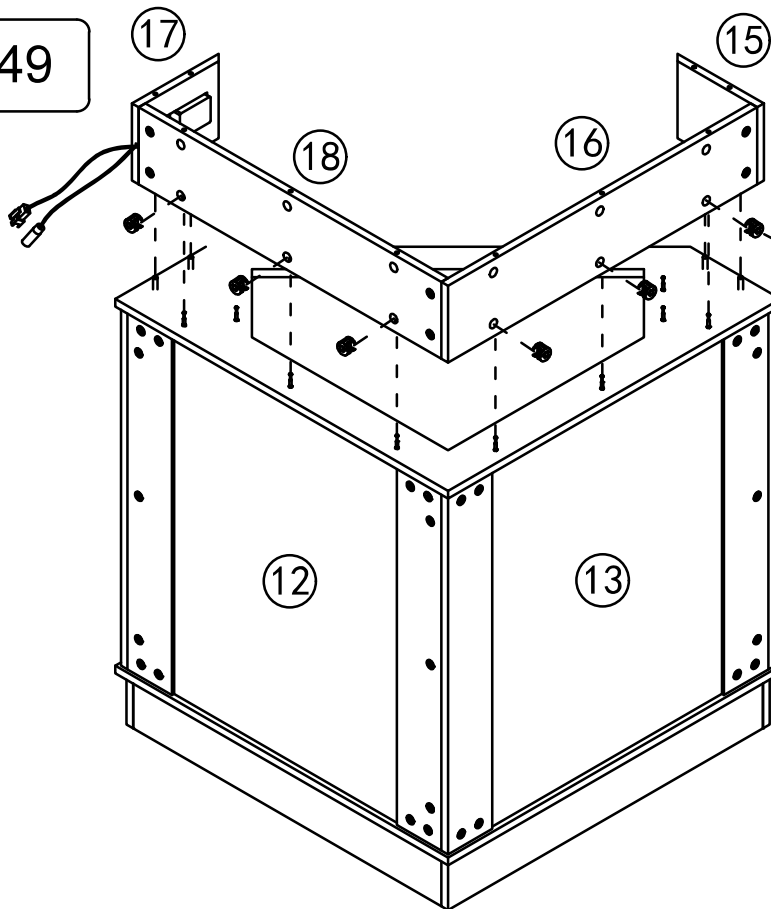
Step 48

- A**  x10
- C**  x4

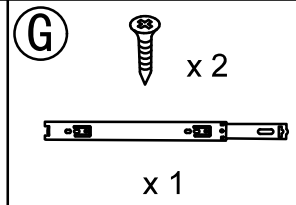
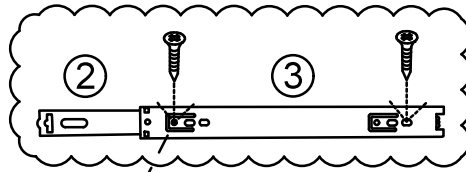


Step 49

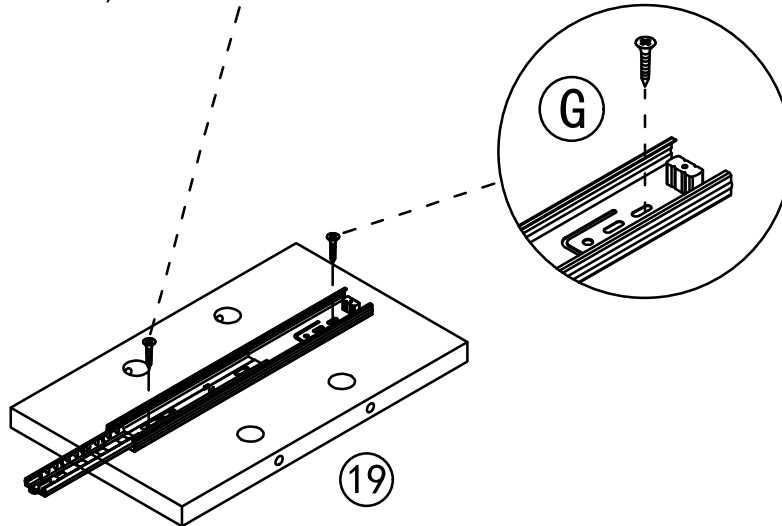
- B**  x6



Step 50

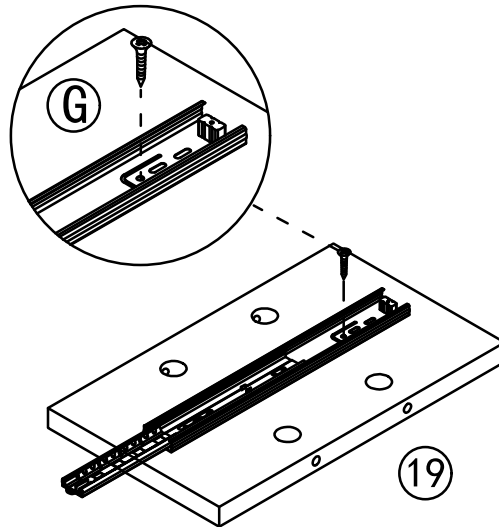
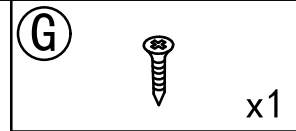
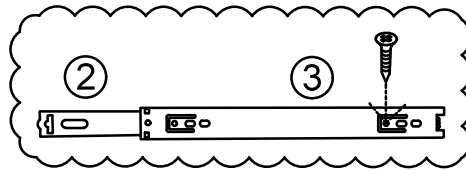


First, install this screw.



This step is repeated twice

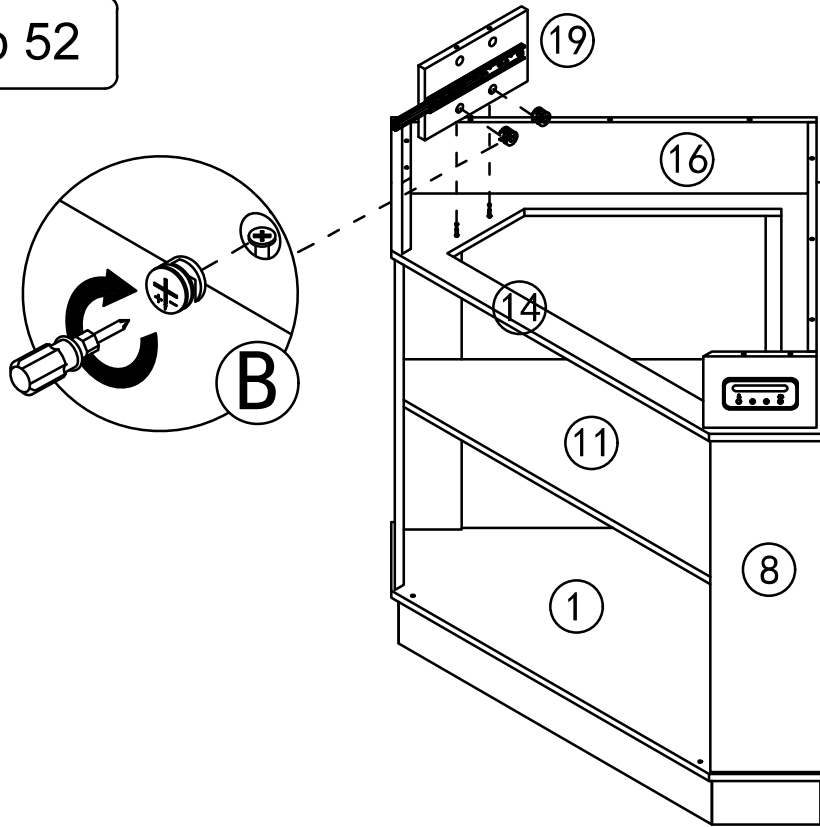
Step 51



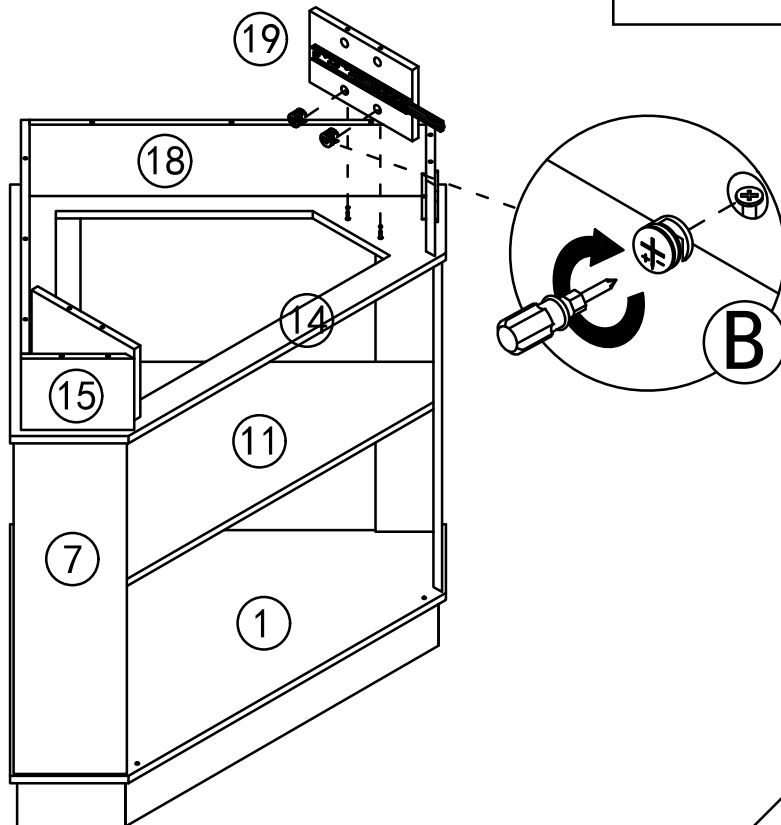
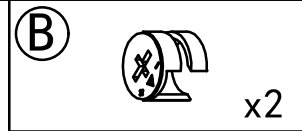
This step is repeated twice

This hole is for strengthening fixed hole
customers can choose to install according to their needs.

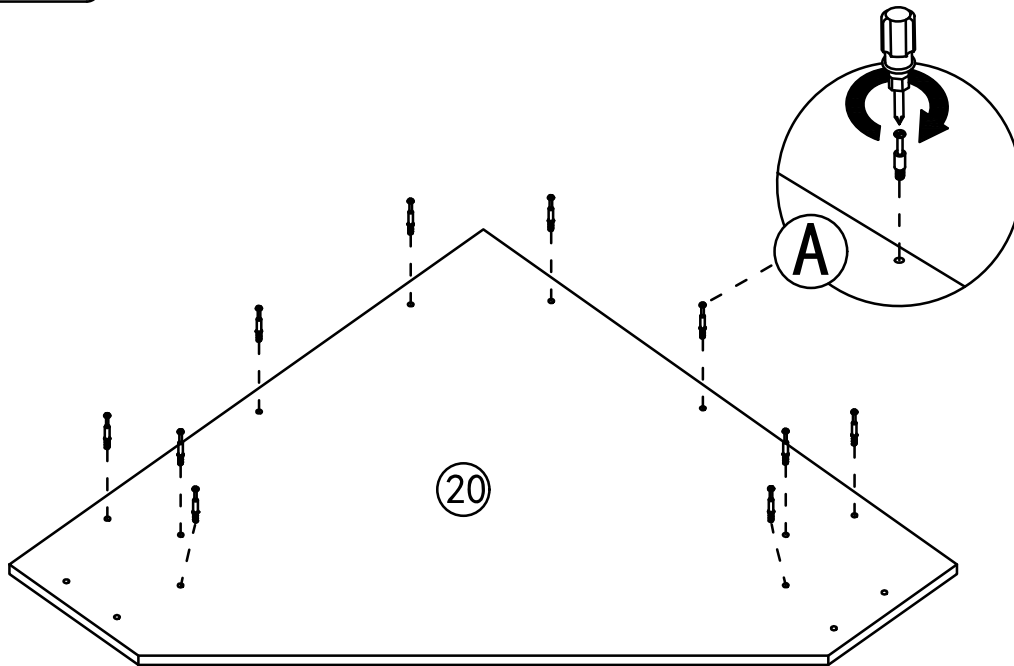
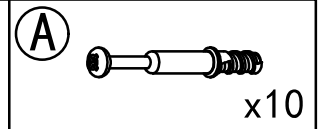
Step 52



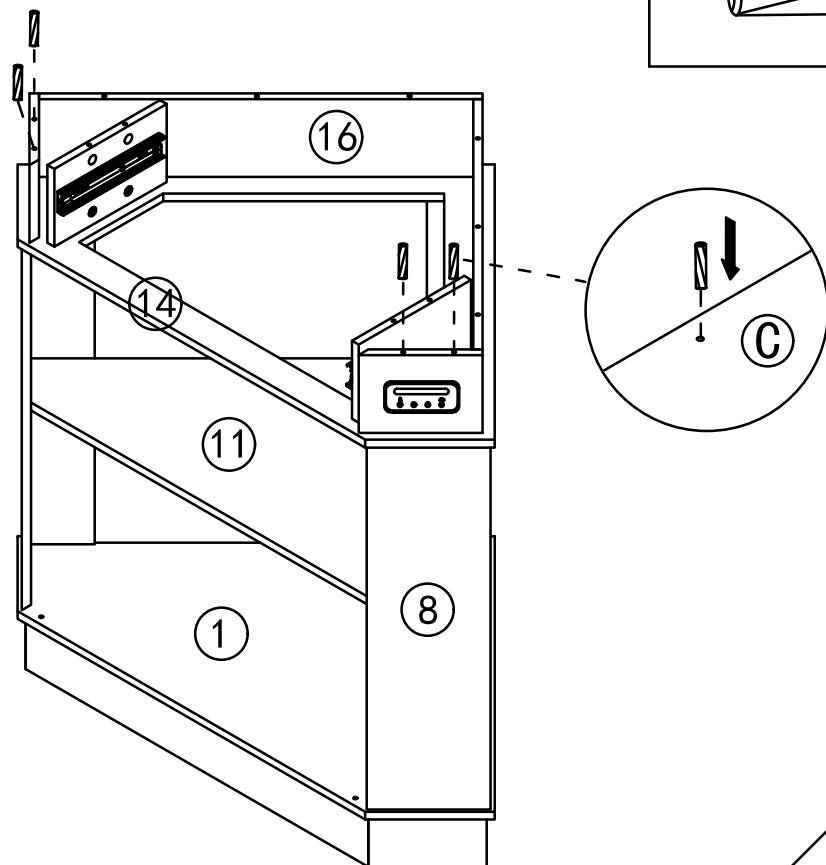
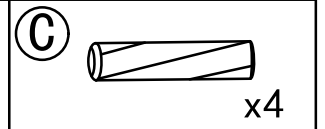
Step 53



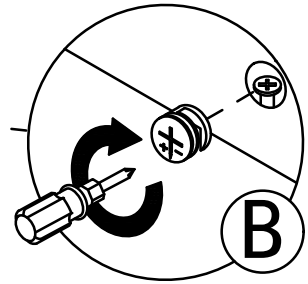
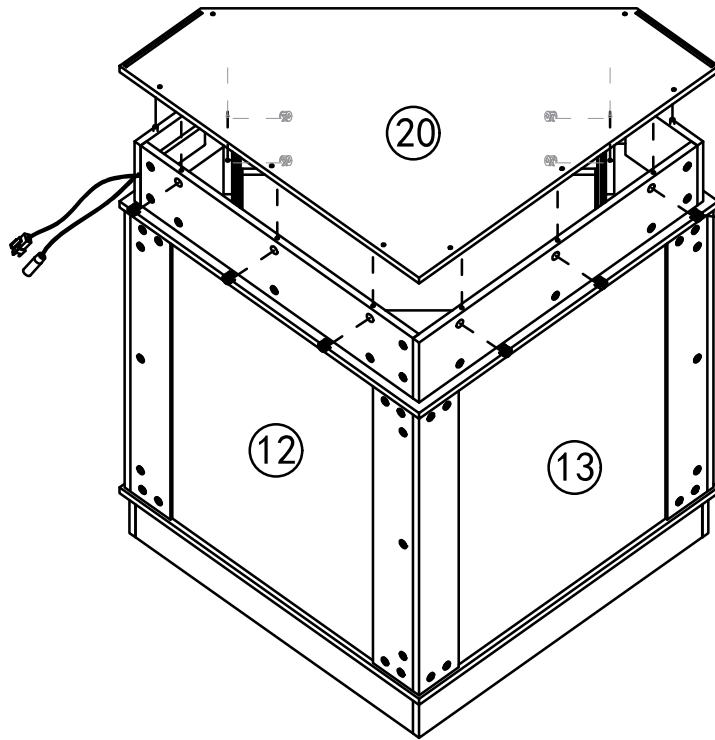
Step 54



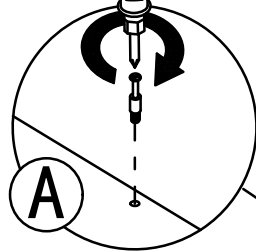
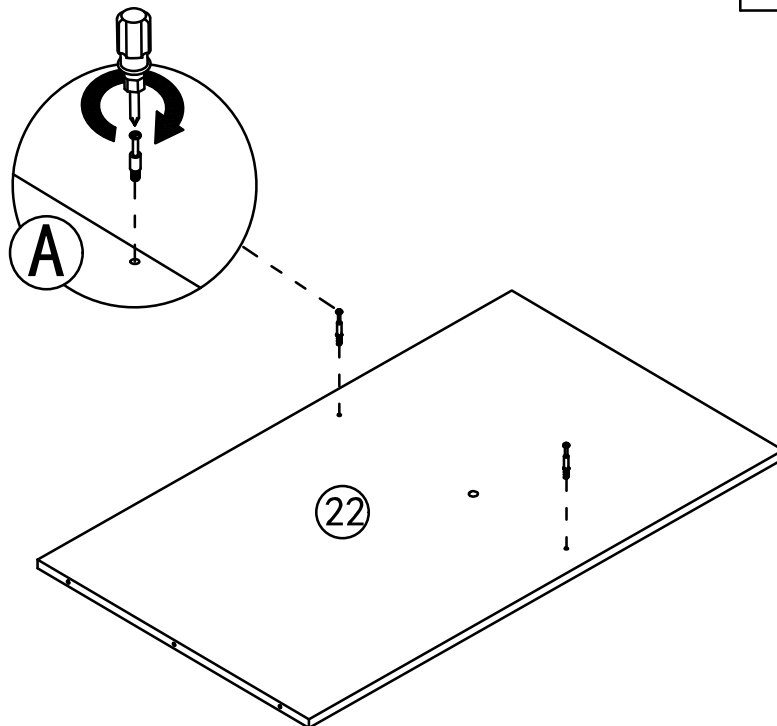
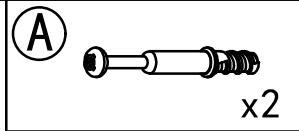
Step 55



Step 56

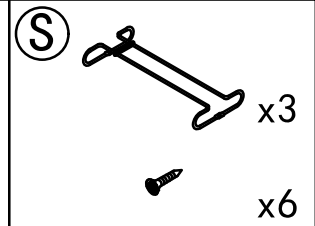
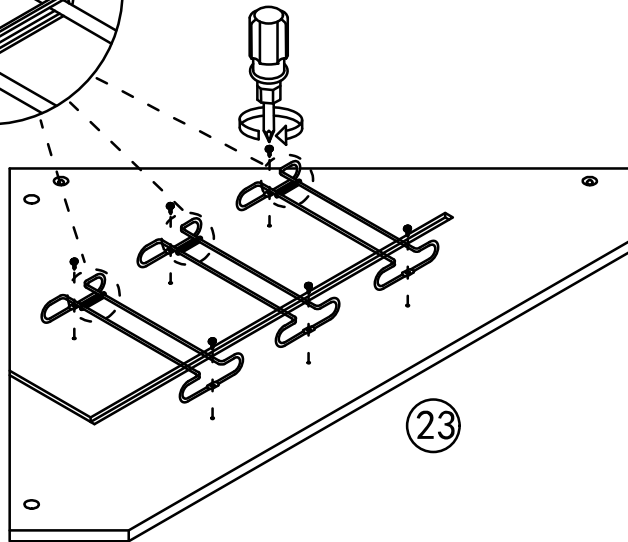
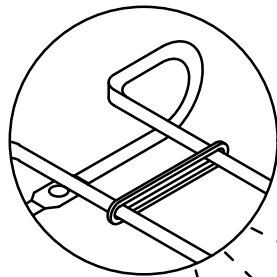


Step 57

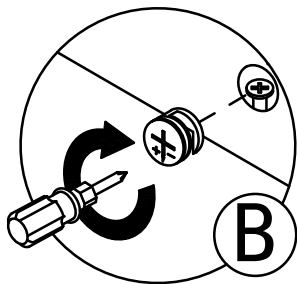


Step 58

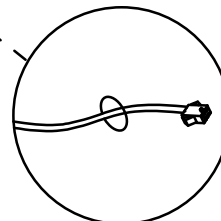
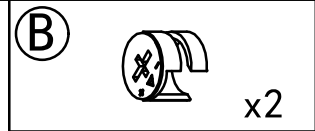
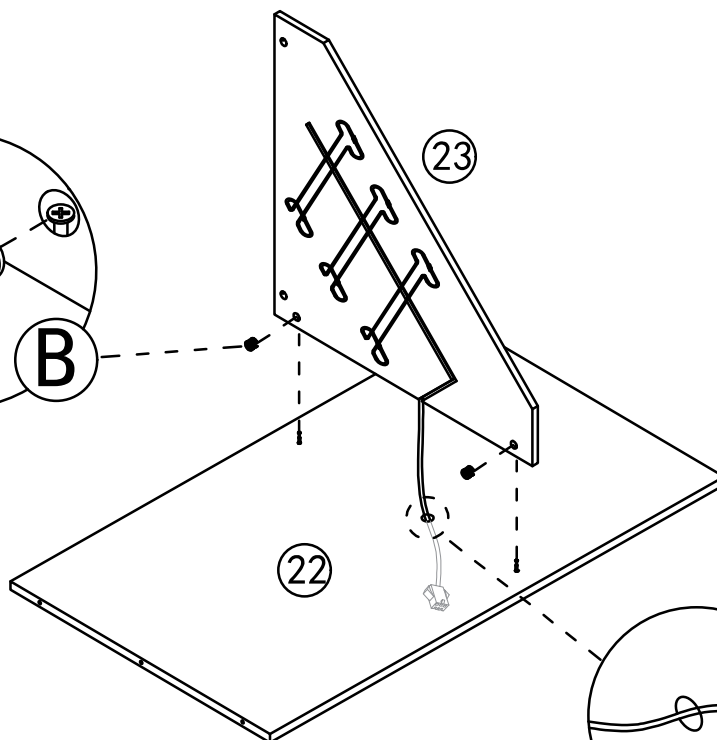
The side with the rubber ring should be at the back.



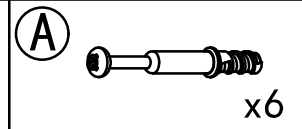
Step 59



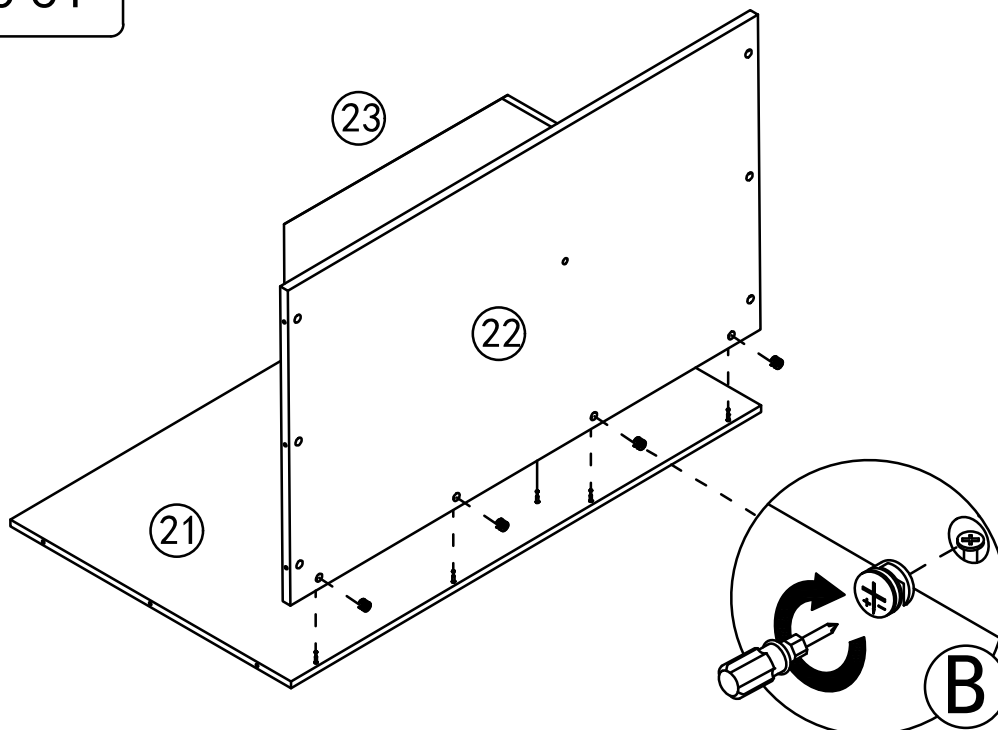
B



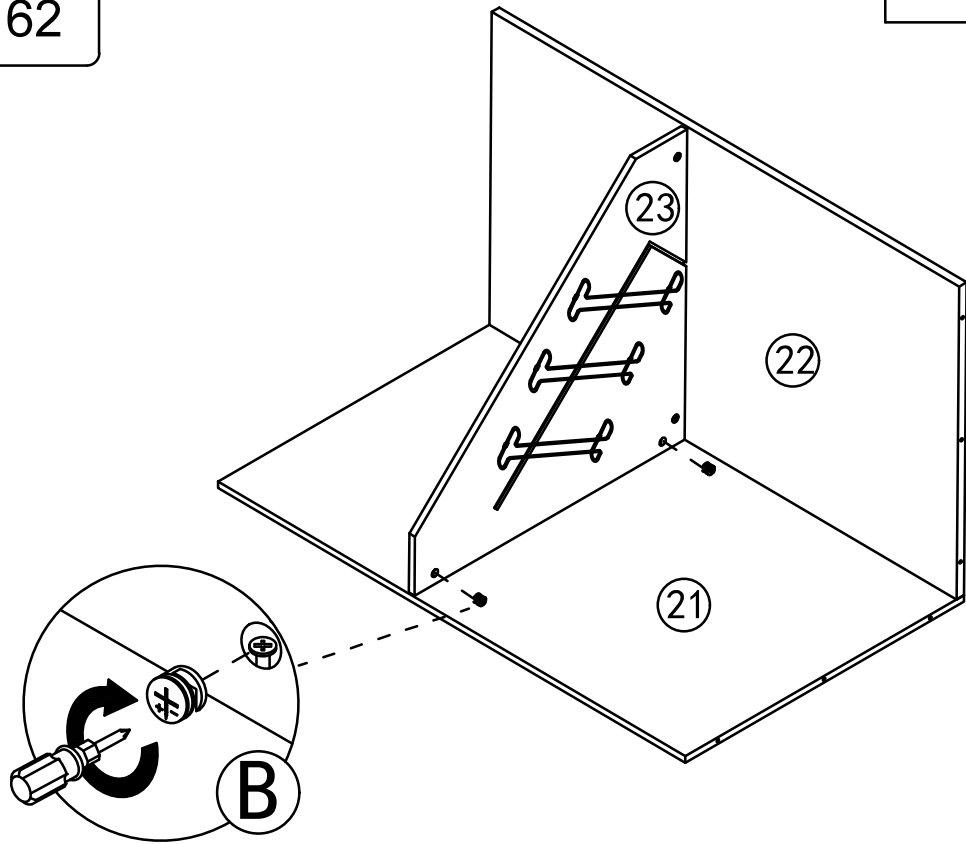
Step 60



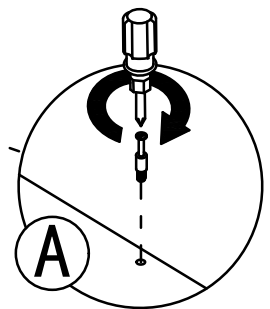
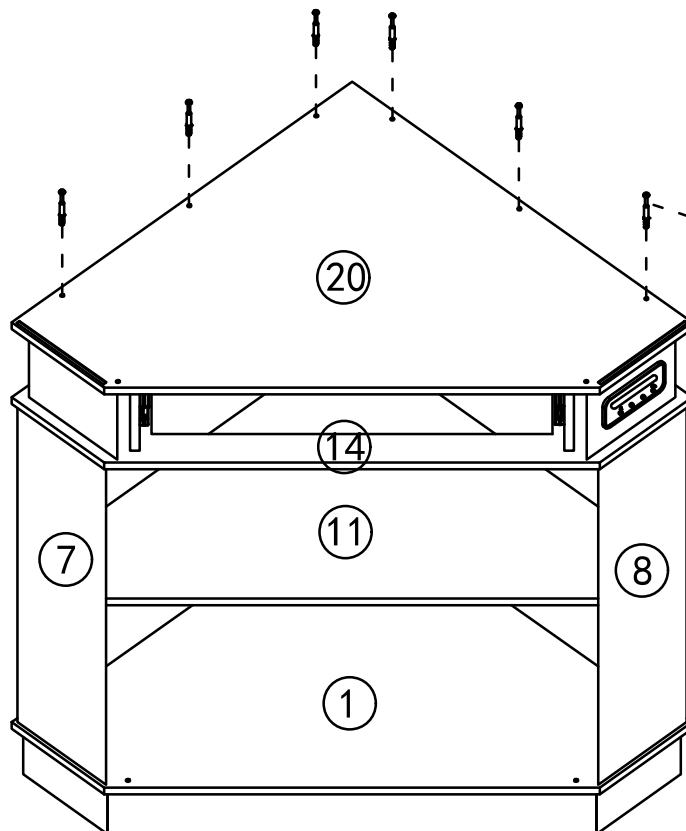
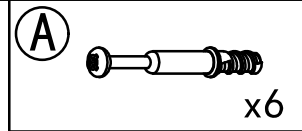
Step 61



Step 62

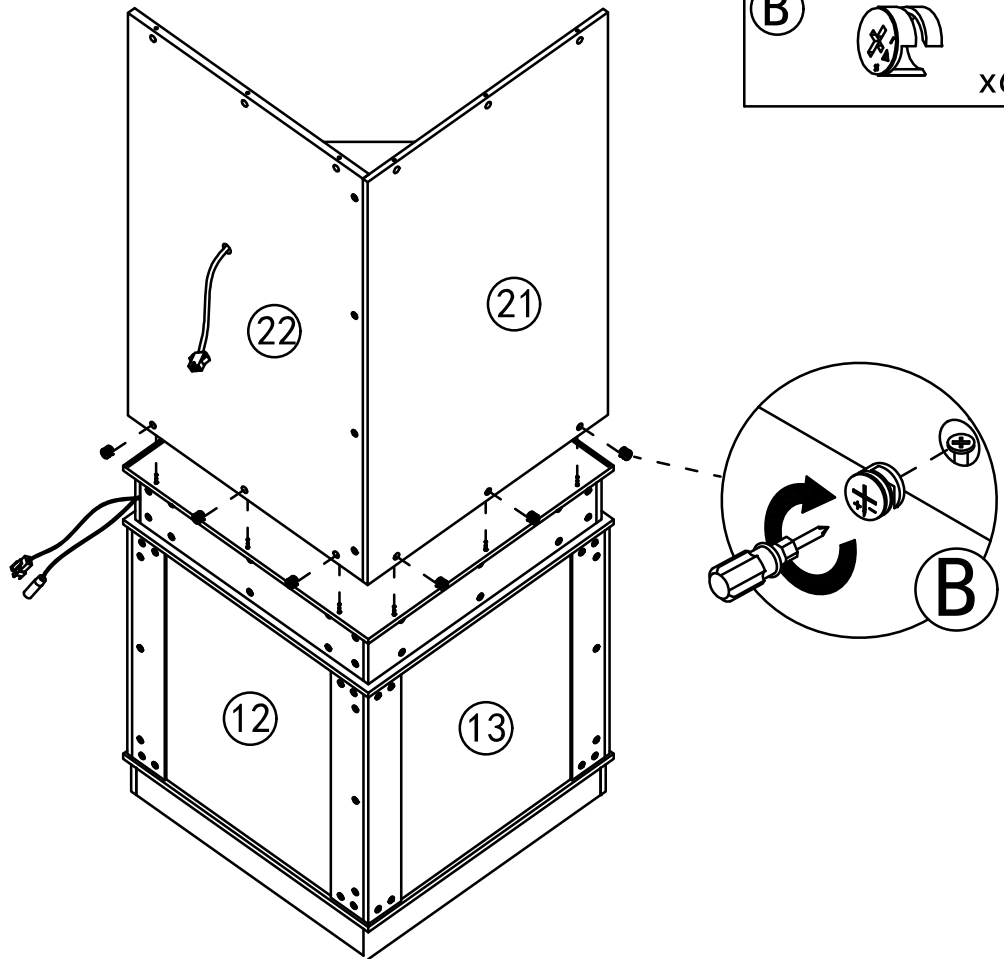


Step 63

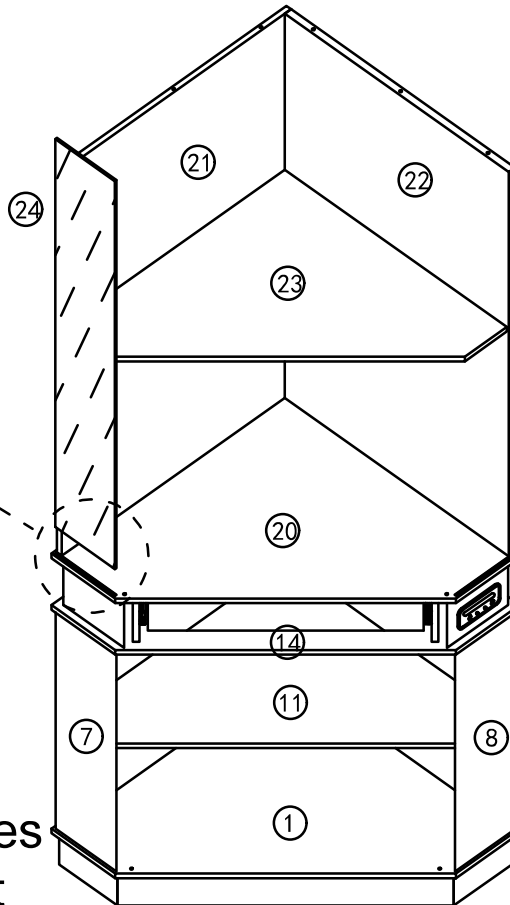
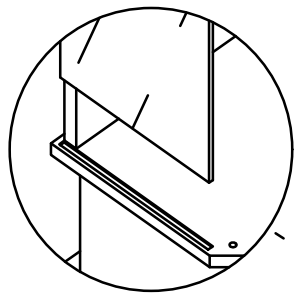


Step 64

B  x6

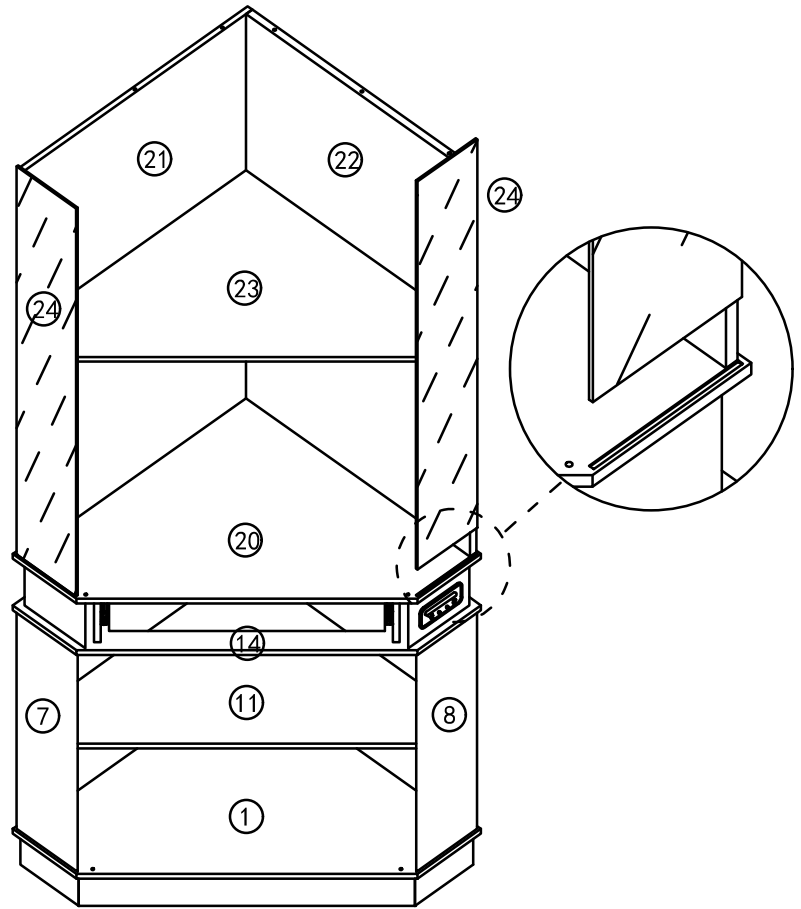


Step 65



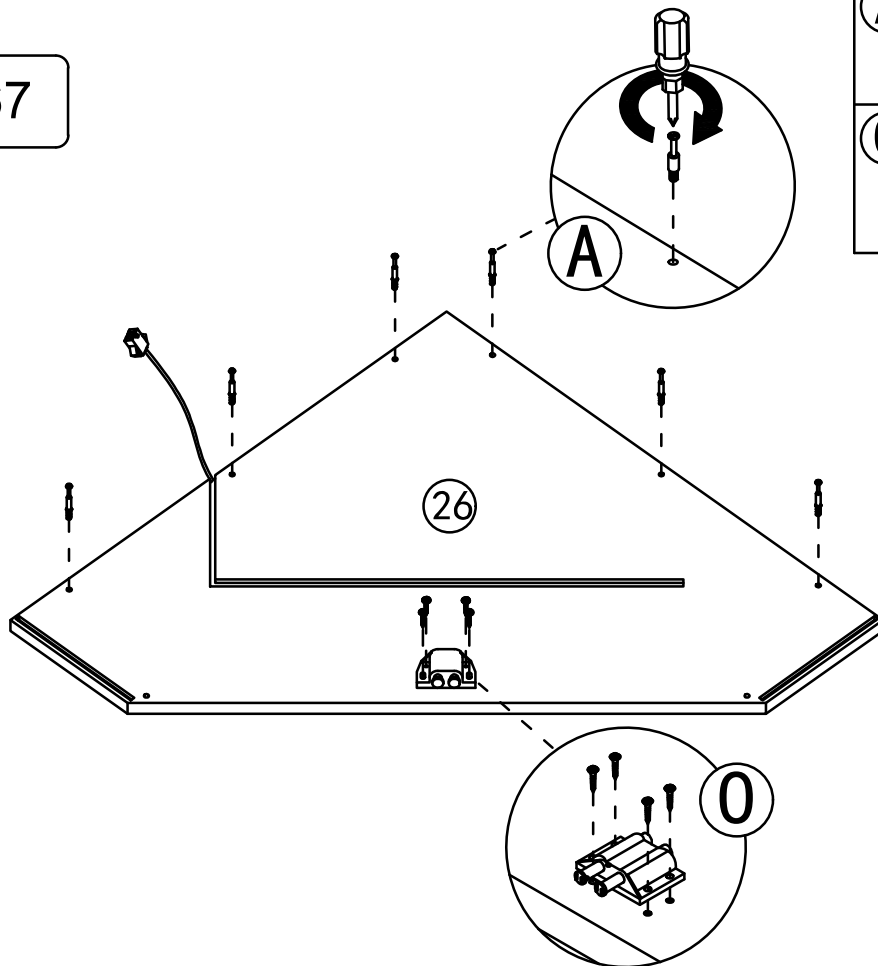
Installing this step requires someone to help support the glass.

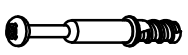


Step 66



Installing this step requires someone to help support the glass.

Step 67



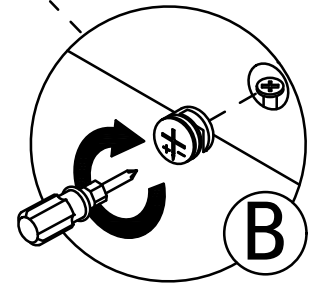
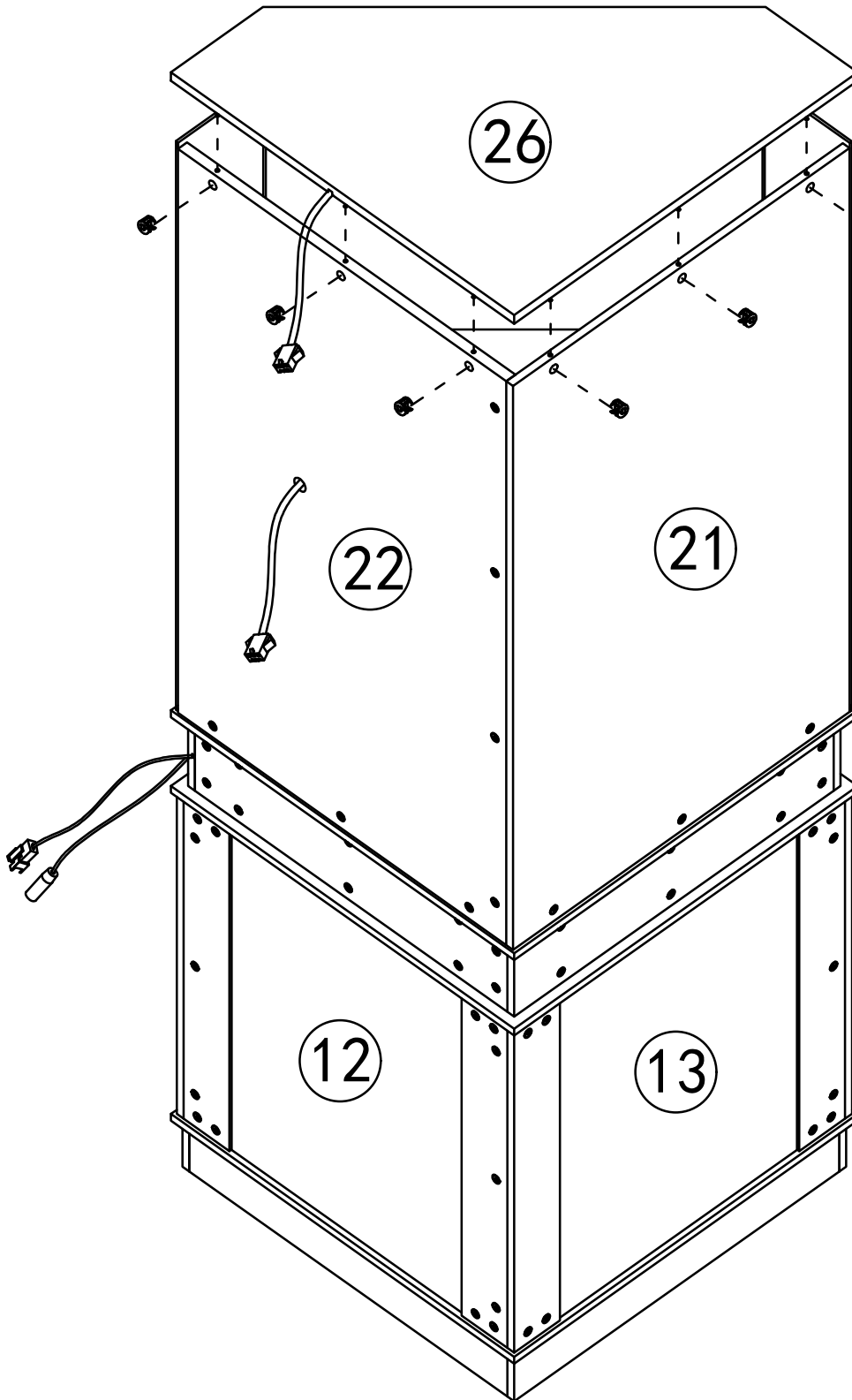
- A**  x6
- O**  x1  x4

Step 68

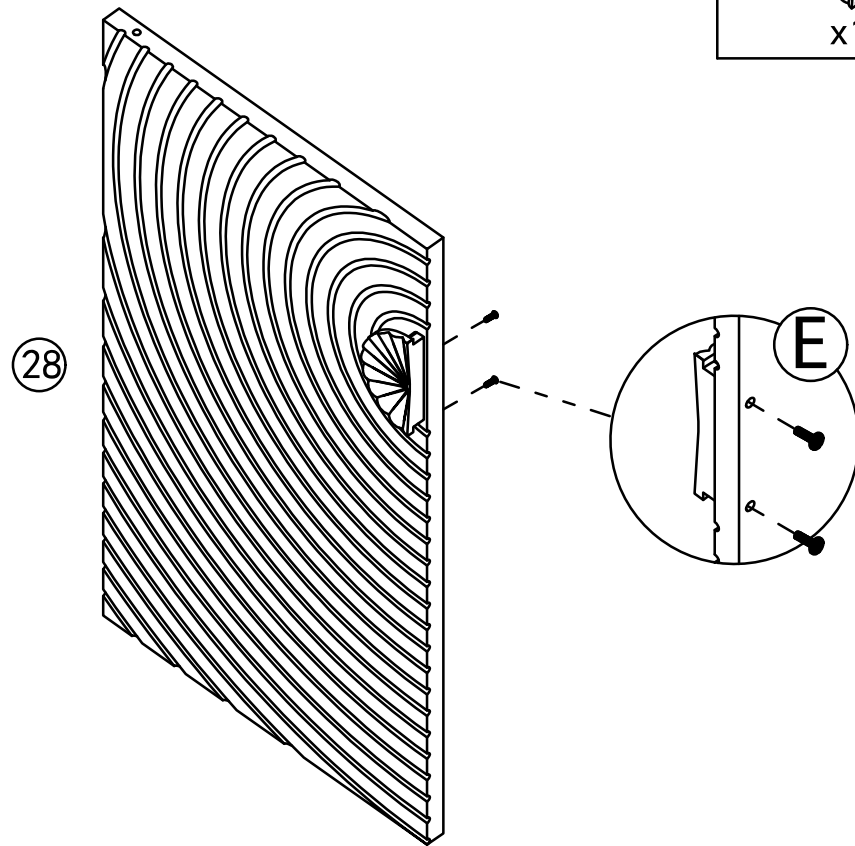
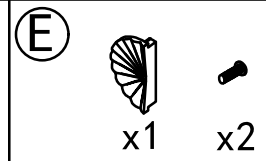
(B)



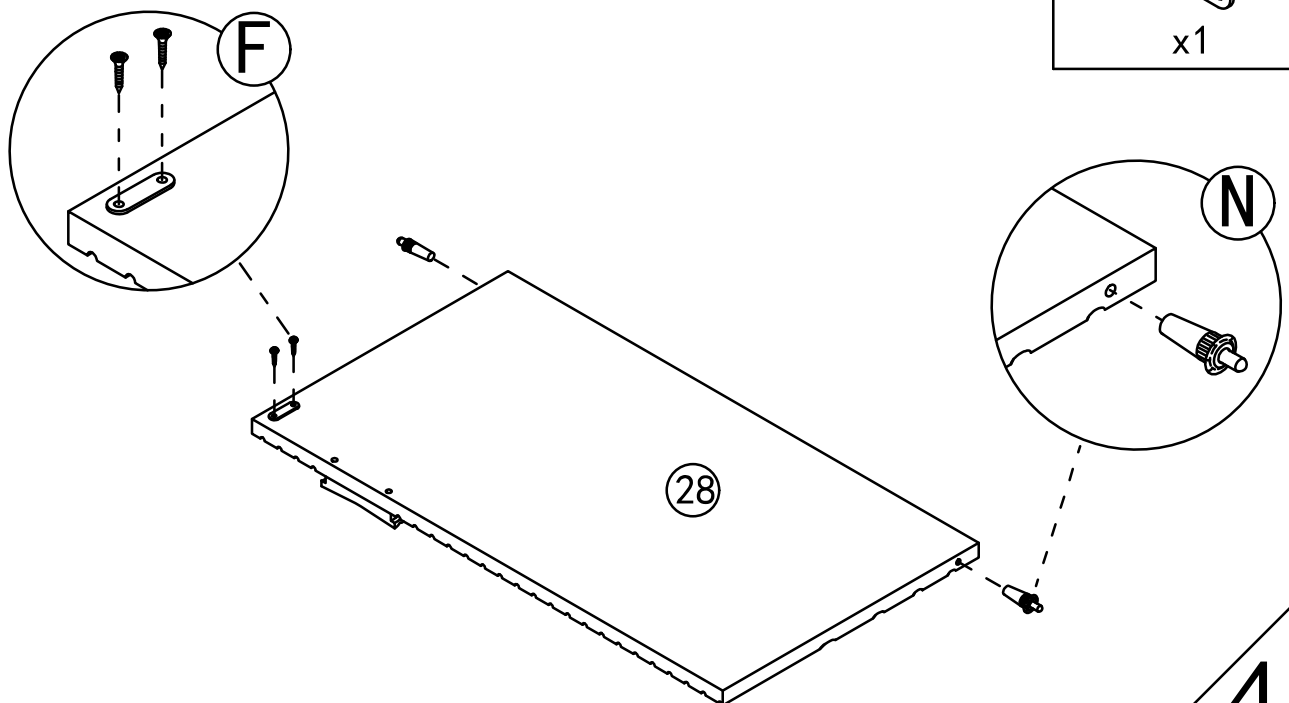
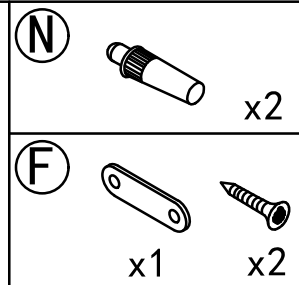
x6



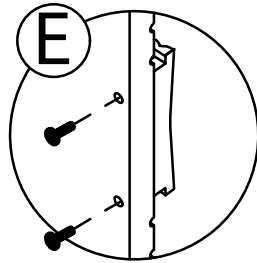
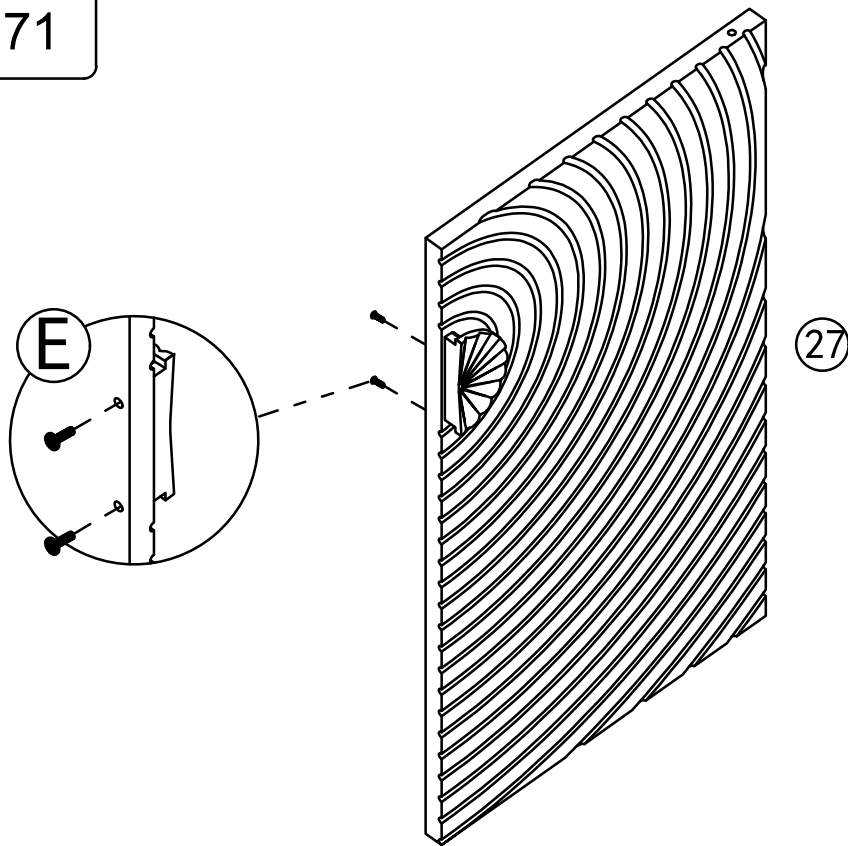
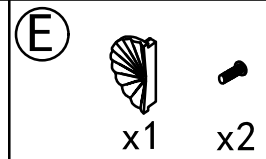
Step 69



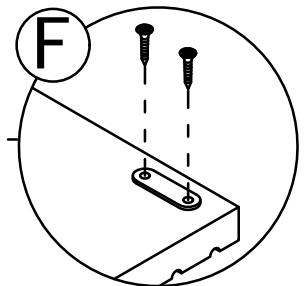
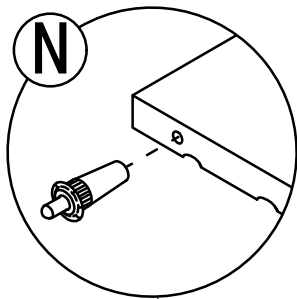
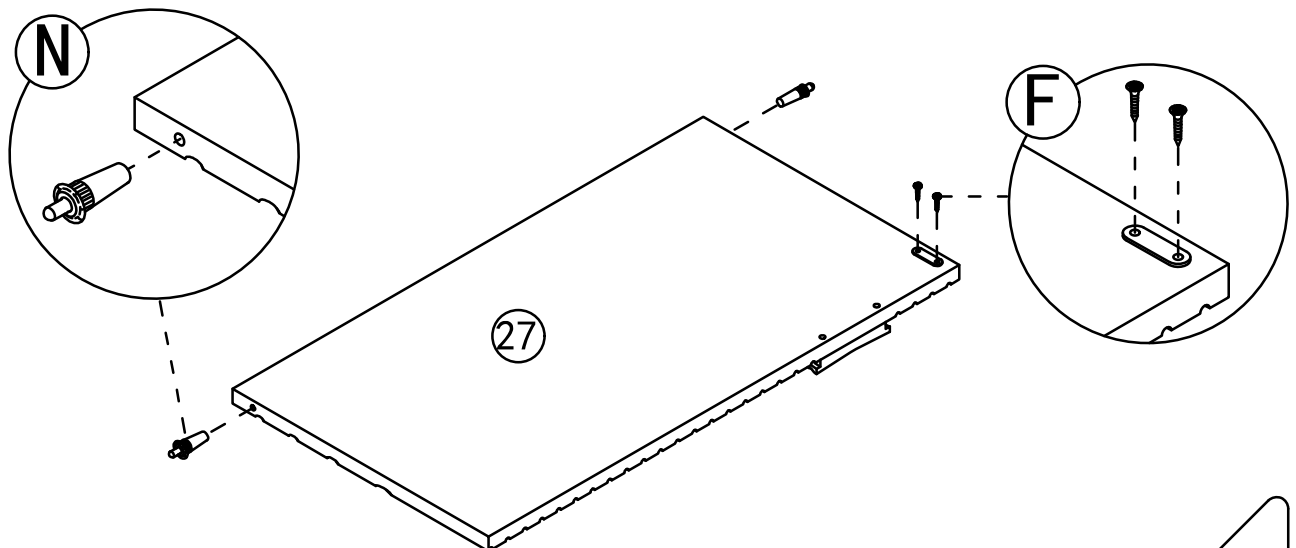
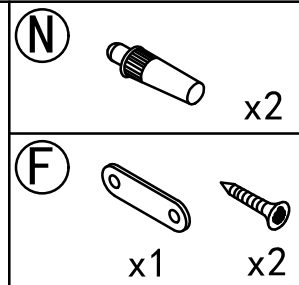
Step 70



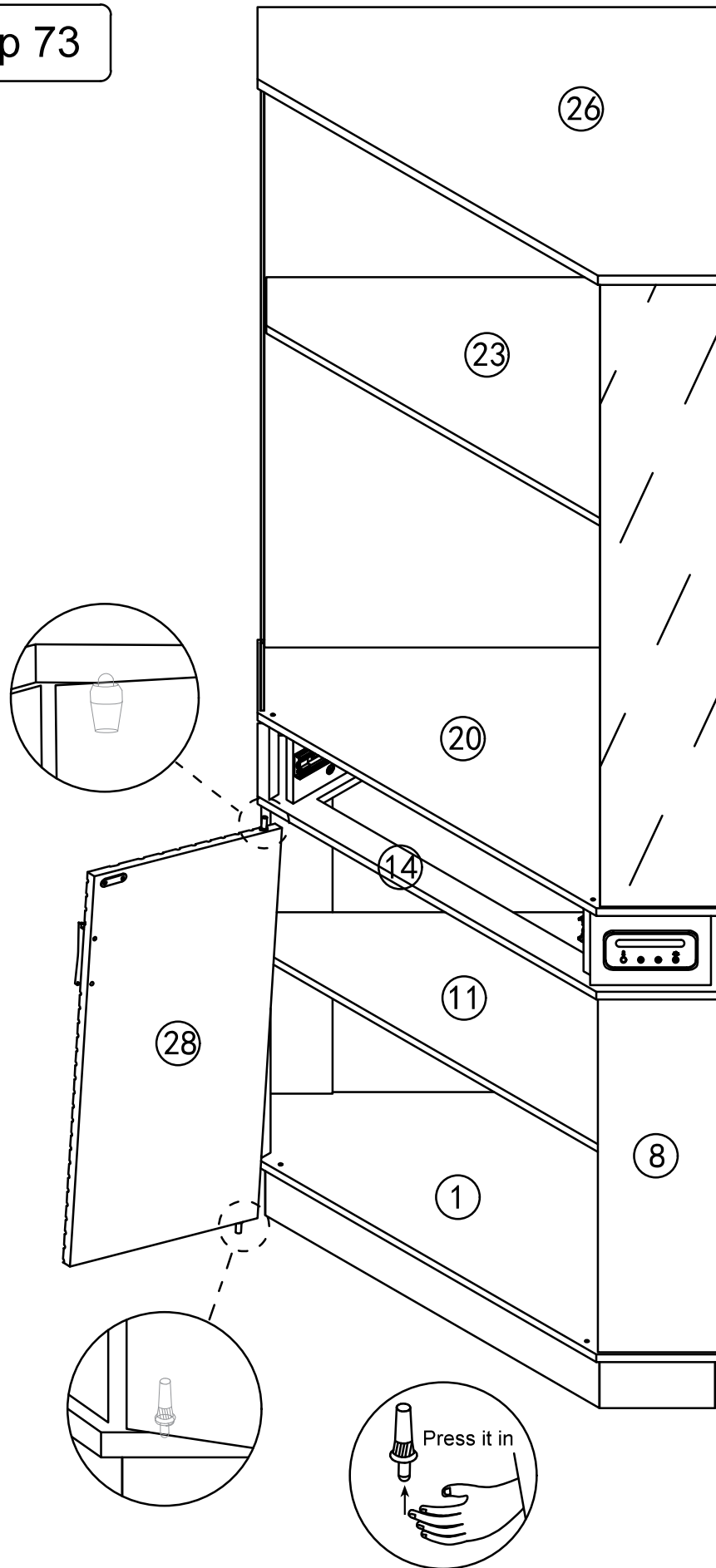
Step 71



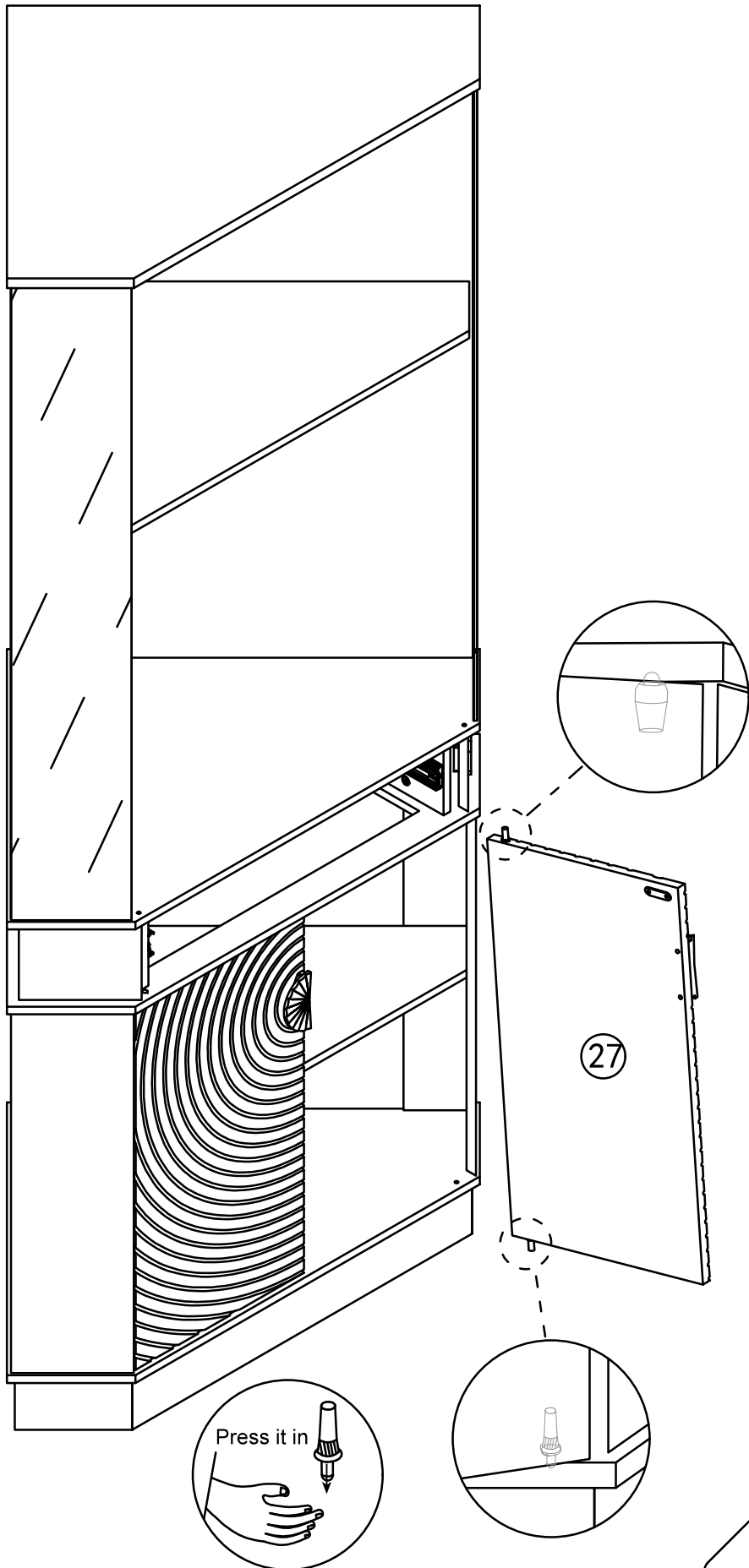
Step 72



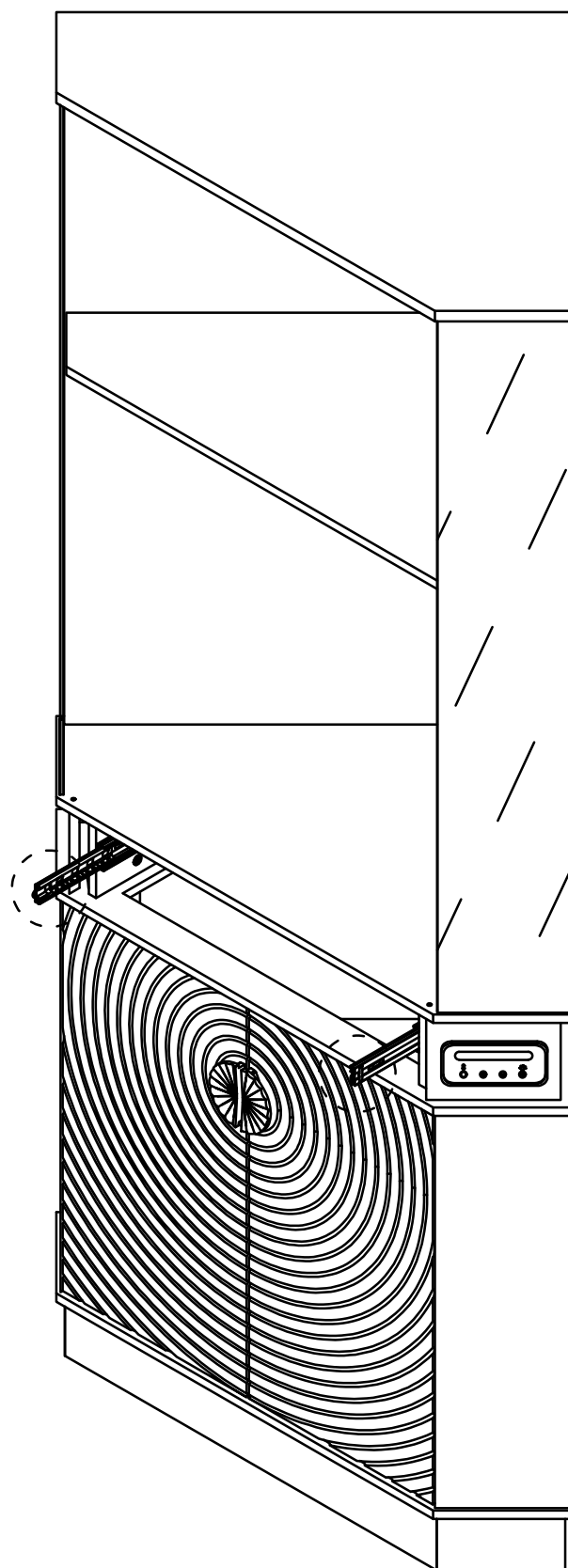
Step 73



Step 74

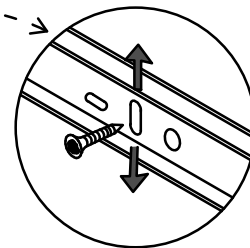
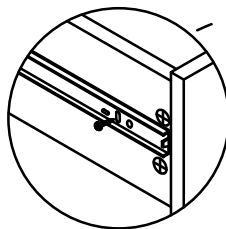
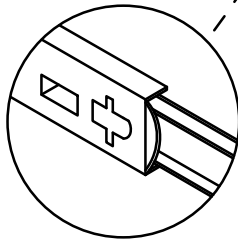
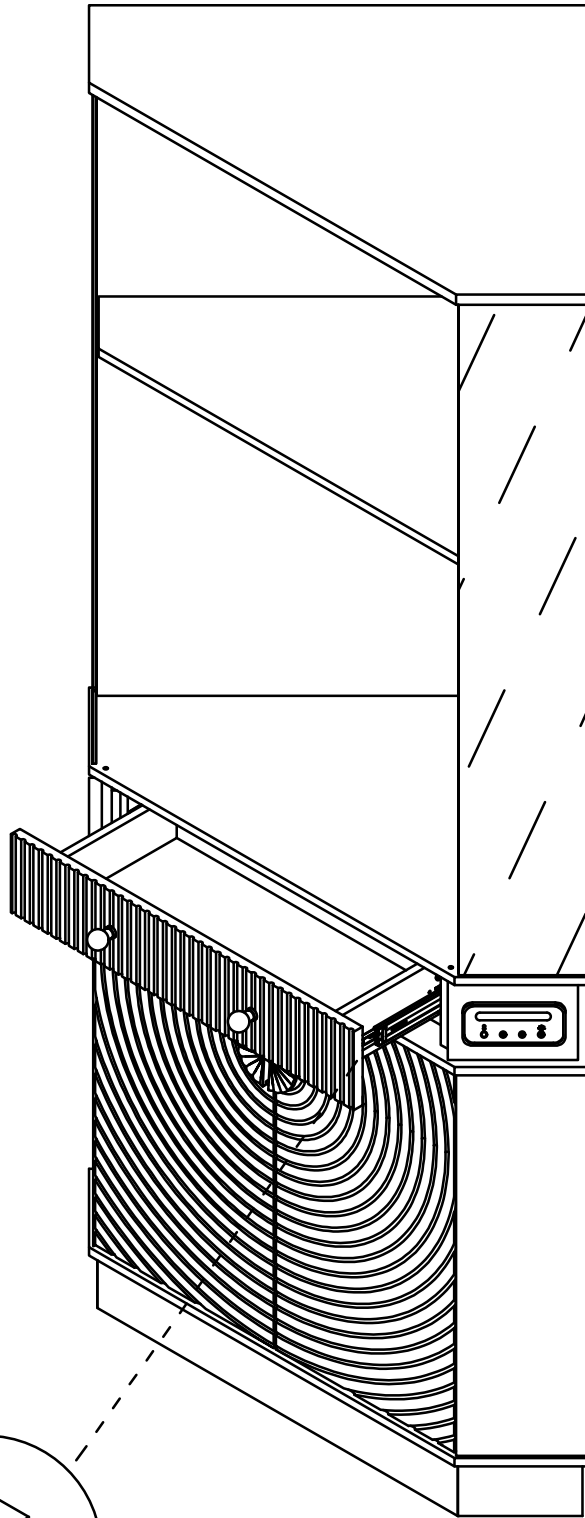


Step 75



As shown, When installing the drawer,
pull the guide rail out first, Slide beads are also pulled out.

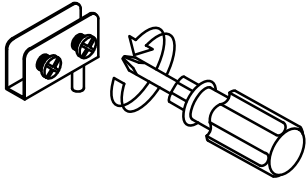
Step 76



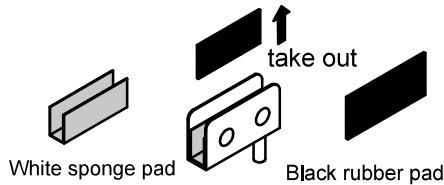
If a large gap is found after installing the drawer the slide rail can be moved up and down to adjust the gap

Step 77

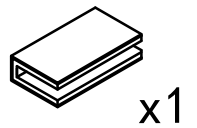
First, completely unscrew the screws on the parts



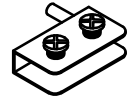
Then take out the black rubber pad from the inside of the part, and the white sponge remains unchanged inside the part.



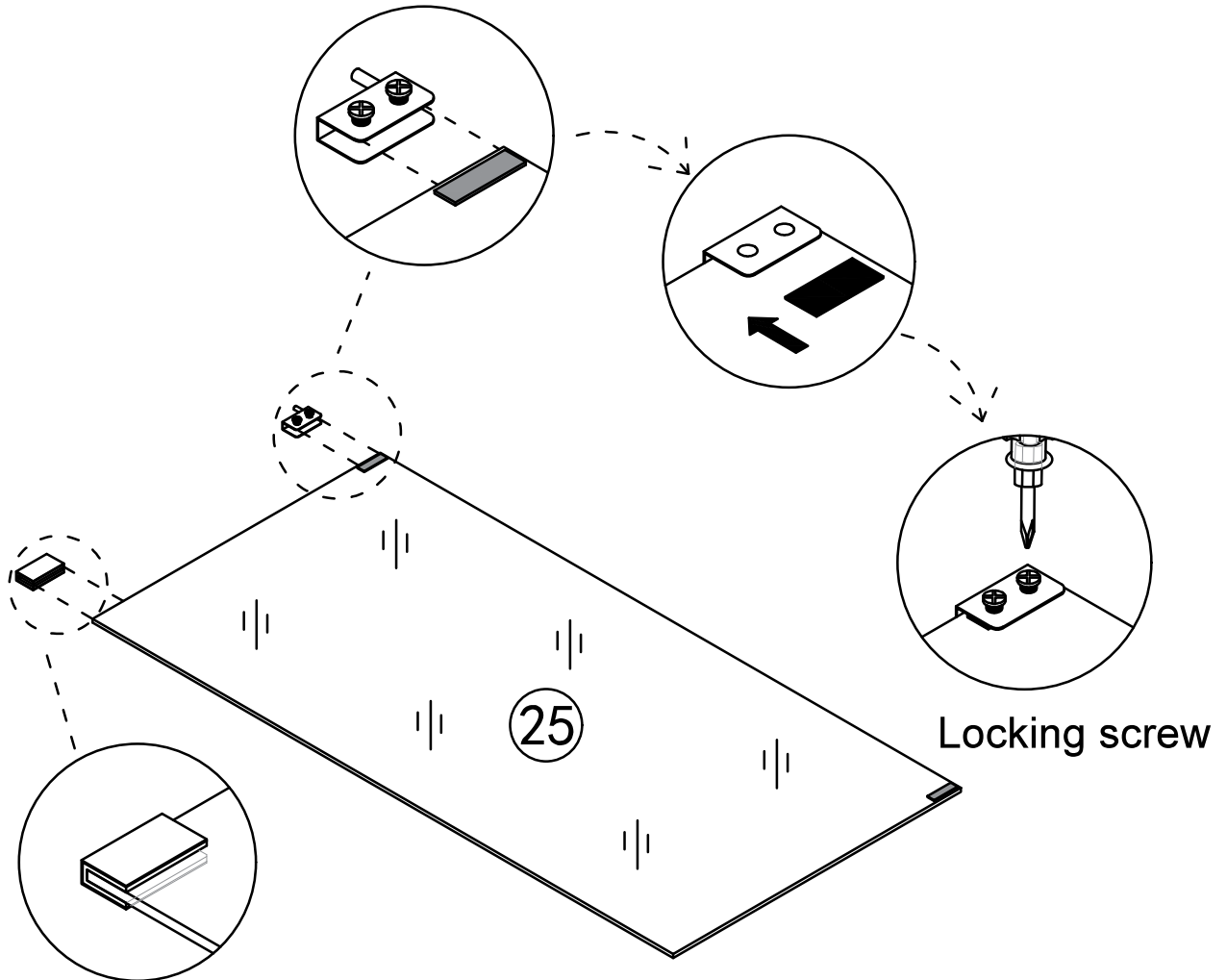
①



x1



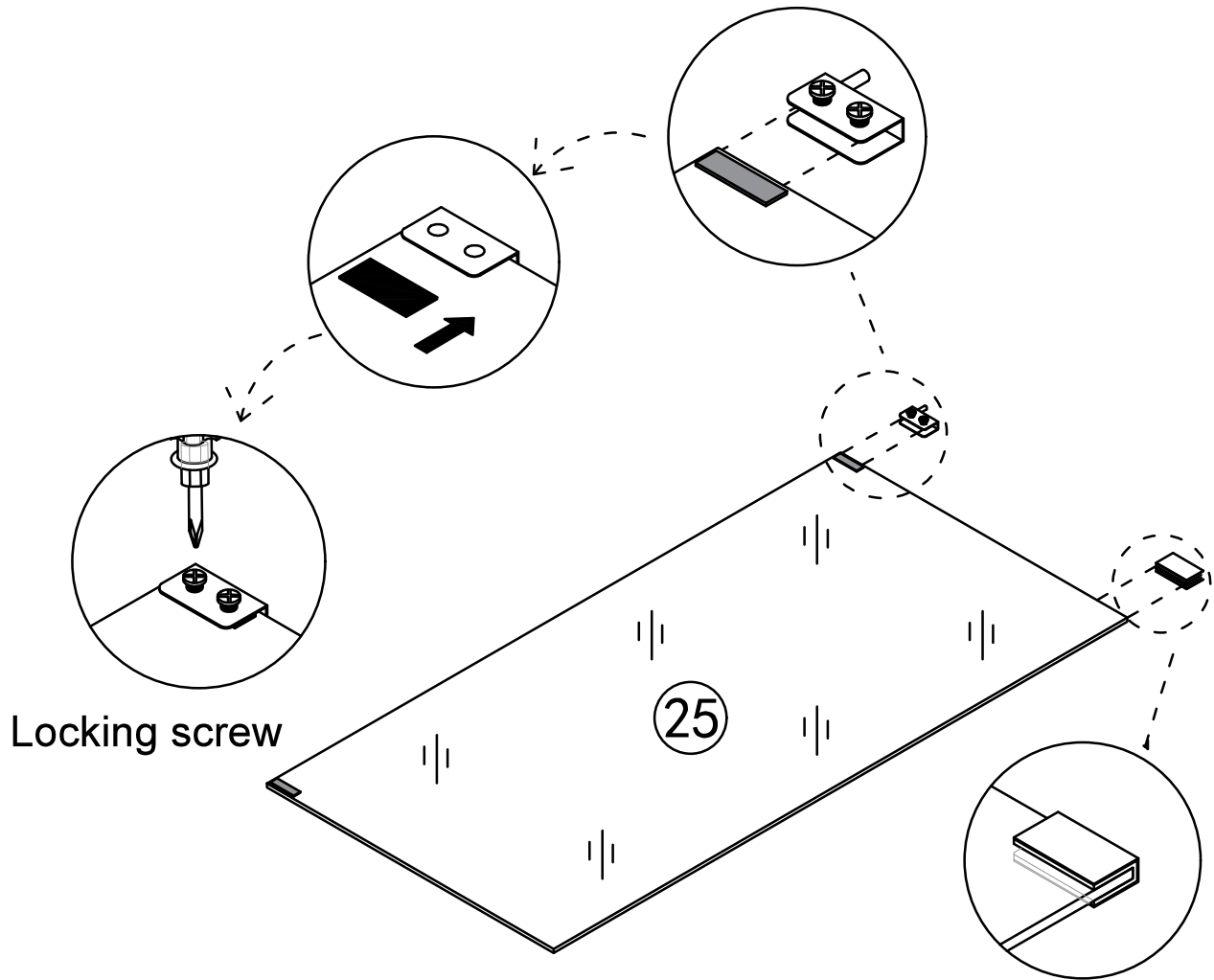
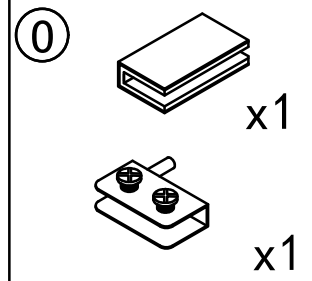
x1



Pay attention to the direction of the door hinge, rotate the screws to compress the black gasket, and do not place it in the opposite direction

Place the black gasket on the side where the screws are installed

Step 78

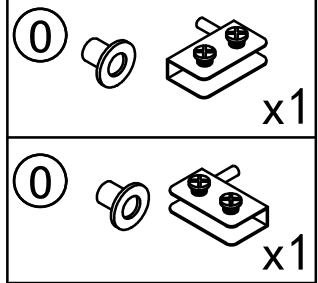
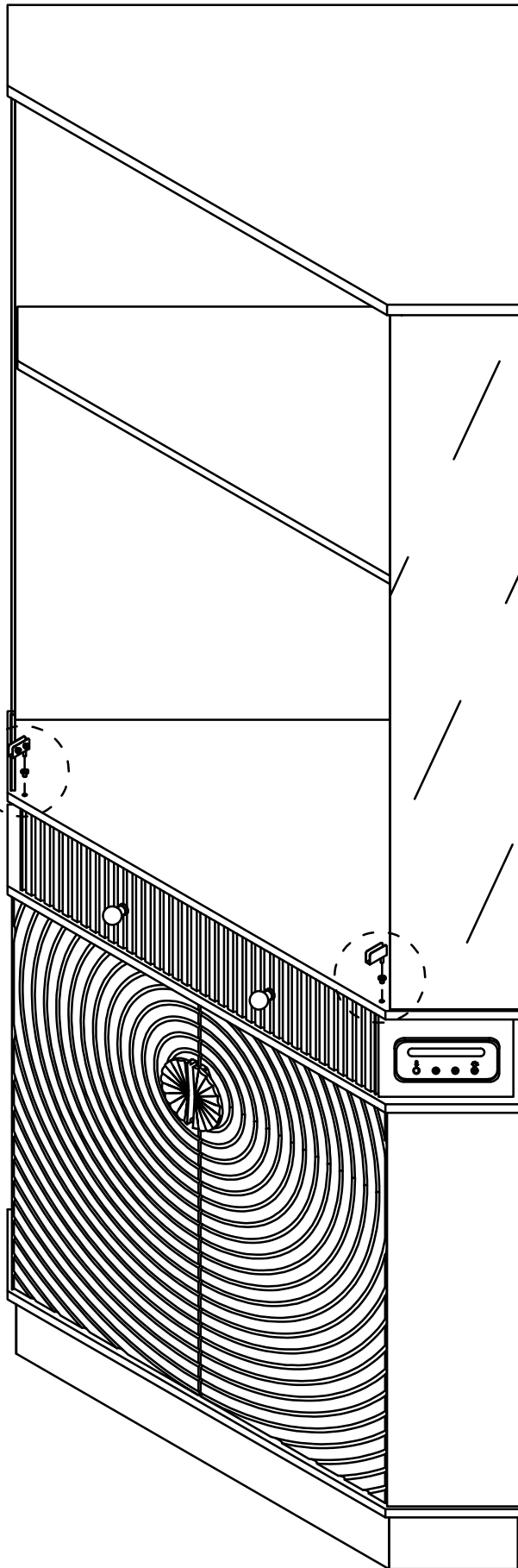
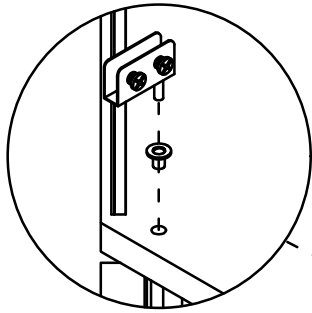


Locking screw

Pay attention to the direction of the door hinge, rotate the screws to compress the black gasket, and do not place it in the opposite direction

Place the black gasket on the side where the screws are installed

Step 79



Step 80

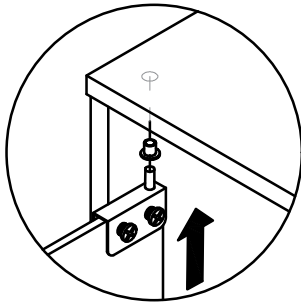
Pay attention to the direction of the door hinge during installation

0

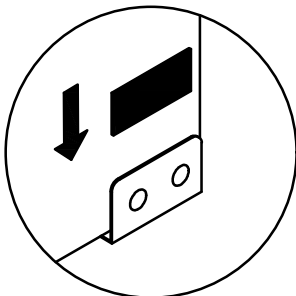


x1

When installing a glass door, it is recommended to have two people install it to avoid the glass door colliding or hitting oneself.

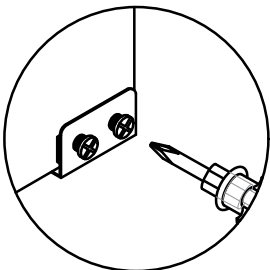


first



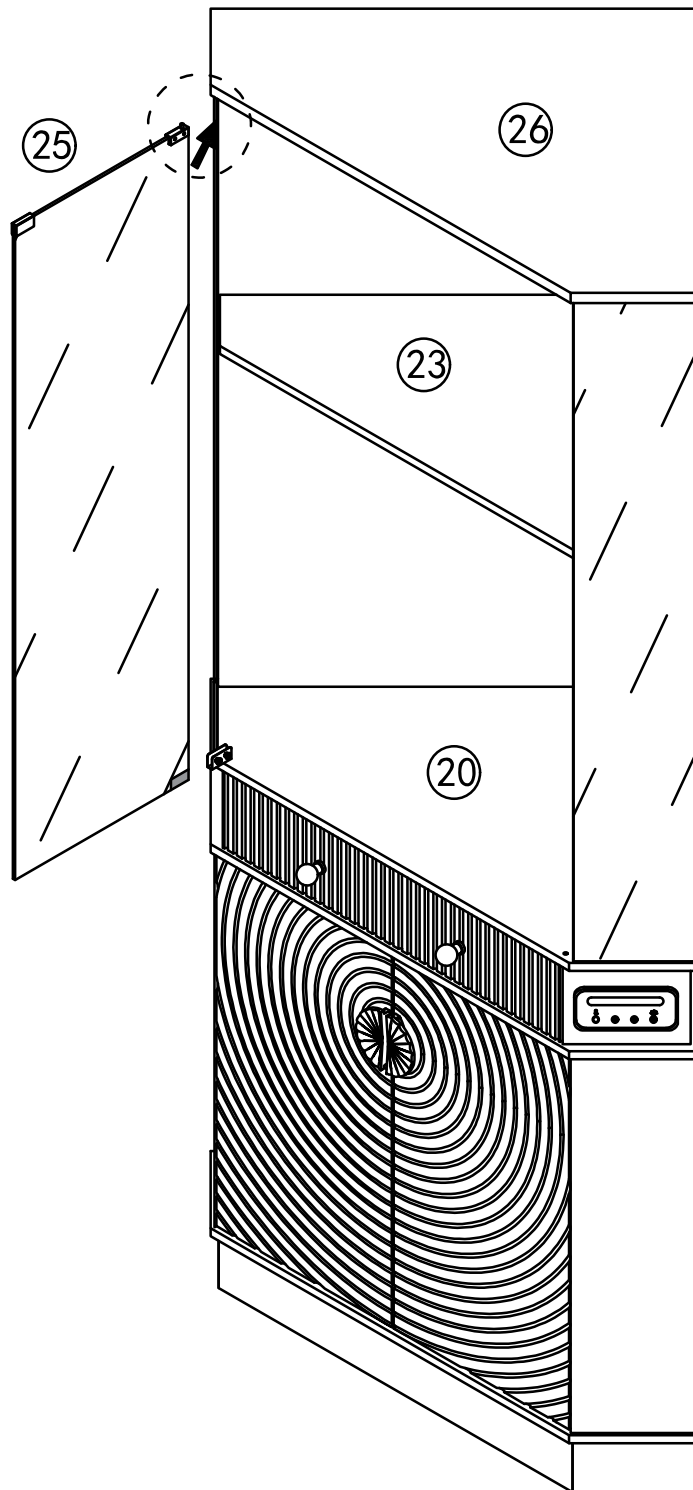
second

After installing the glass door, place the black gasket on the side where the screws are installed



third

Locking screw



50

Step 81

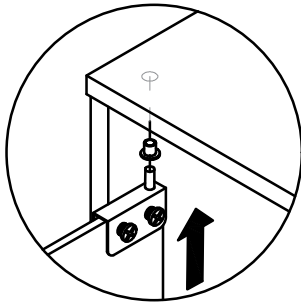
Pay attention to the direction of the door hinge during installation

0

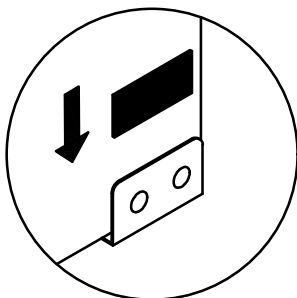


x1

When installing a glass door, it is recommended to have two people install it to avoid the glass door colliding or hitting oneself.

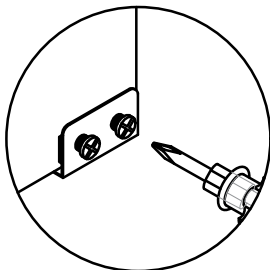


first



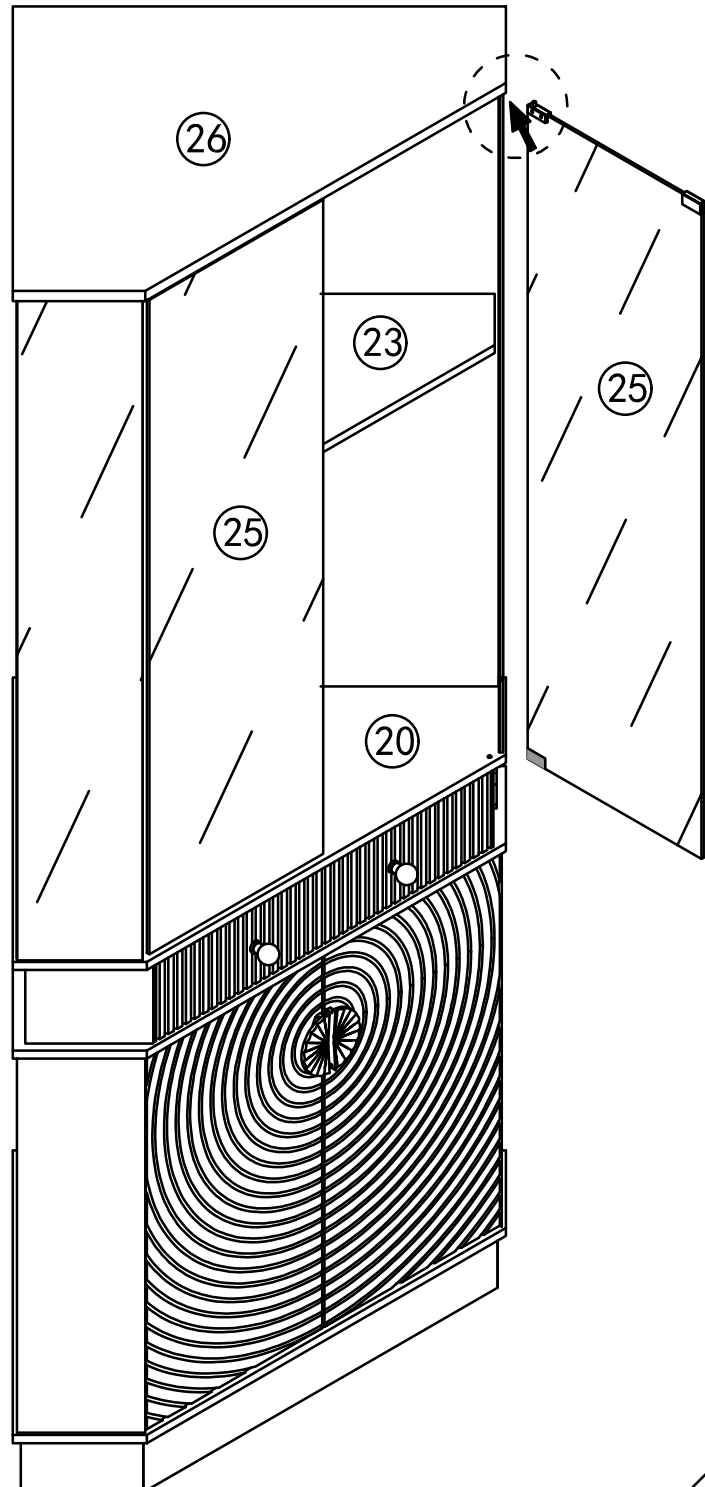
second

After installing the glass door, place the black gasket on the side where the screws are installed



third

Locking screw

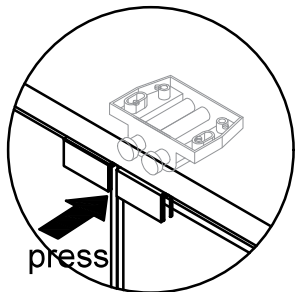


51

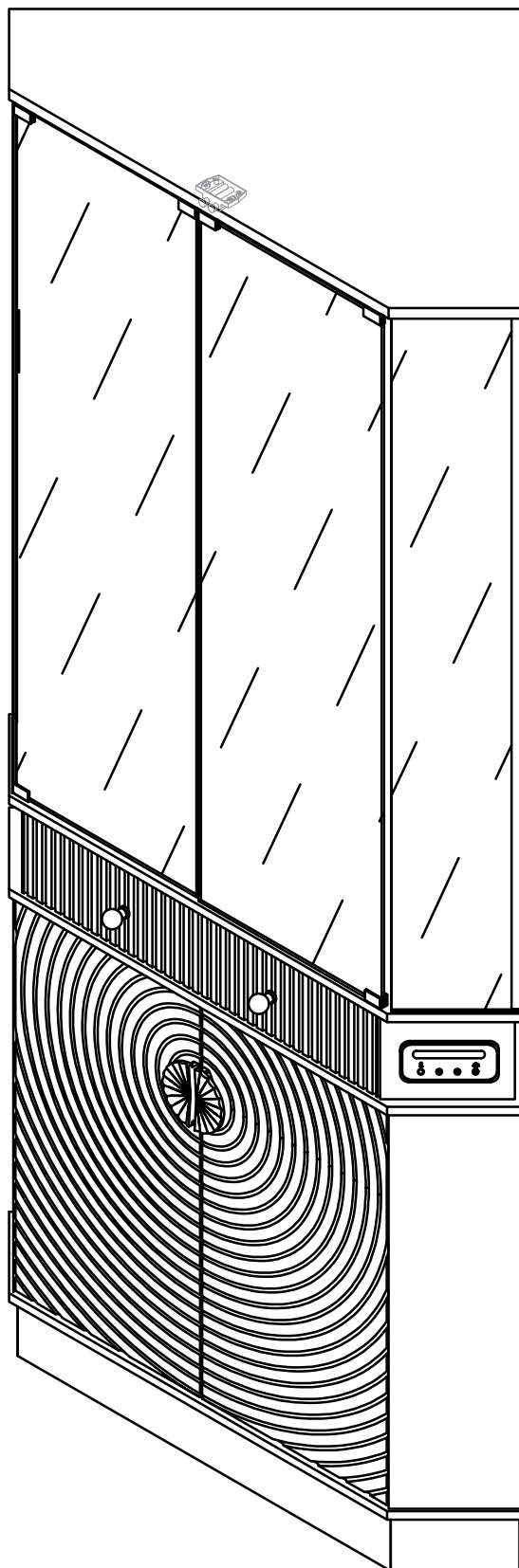
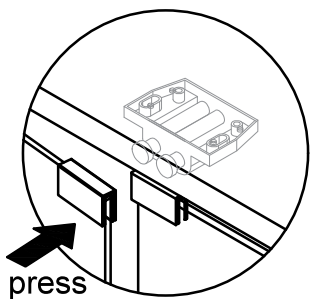
Step 82

The rebound device automatically opens and closes by pressing



Open the glass door

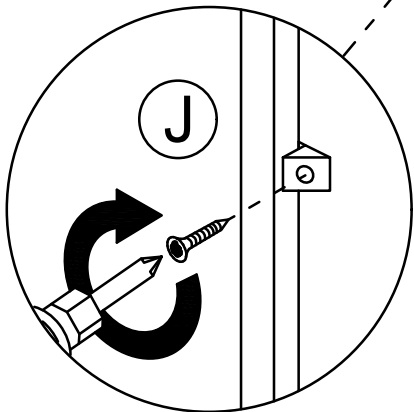
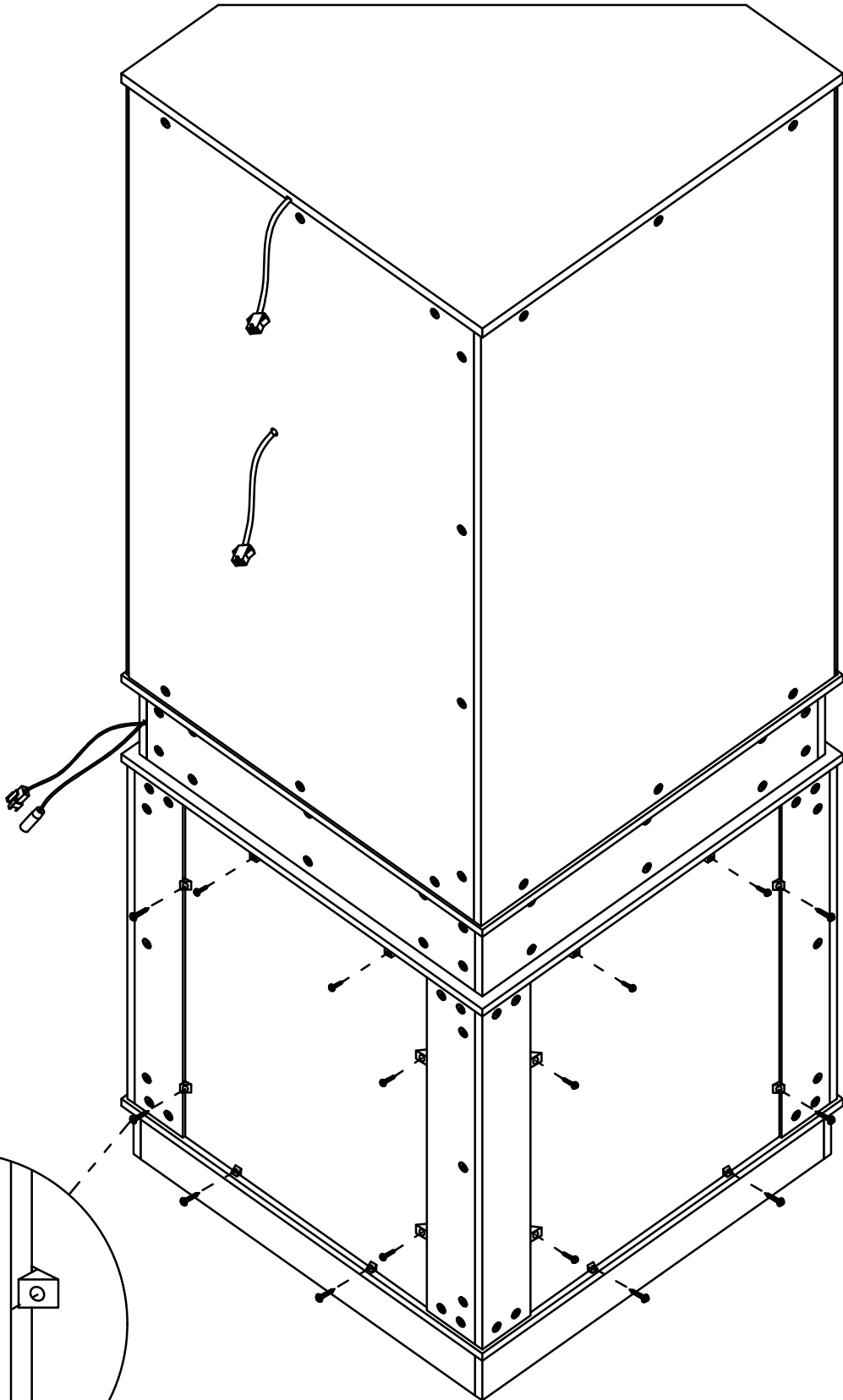


Close the glass door

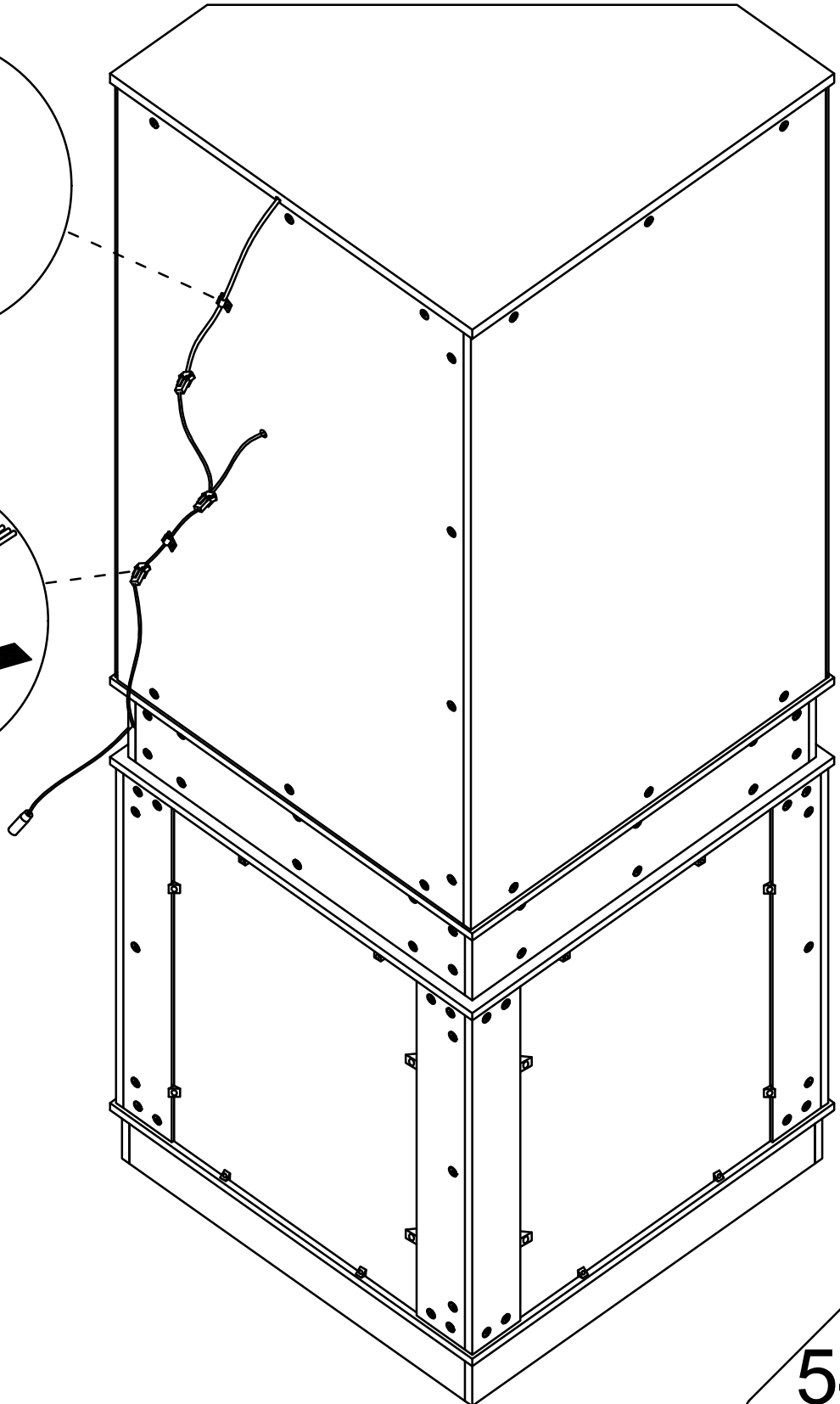
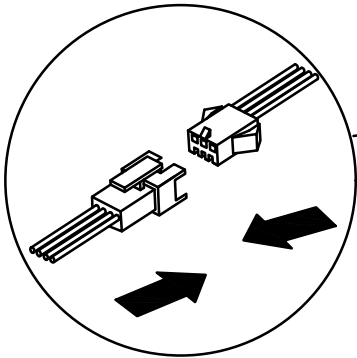
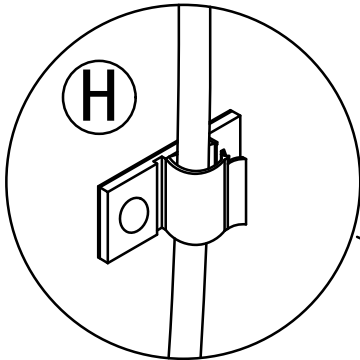
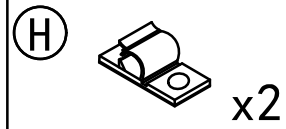
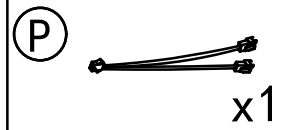


Step 83

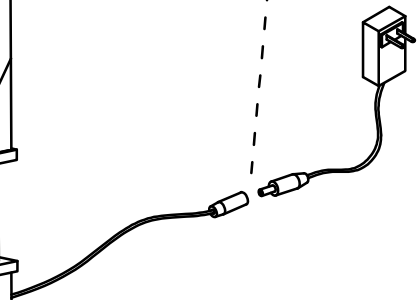
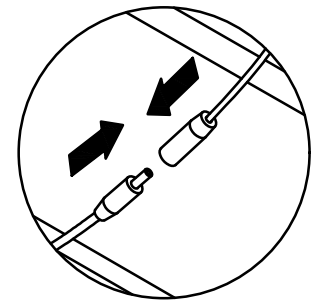
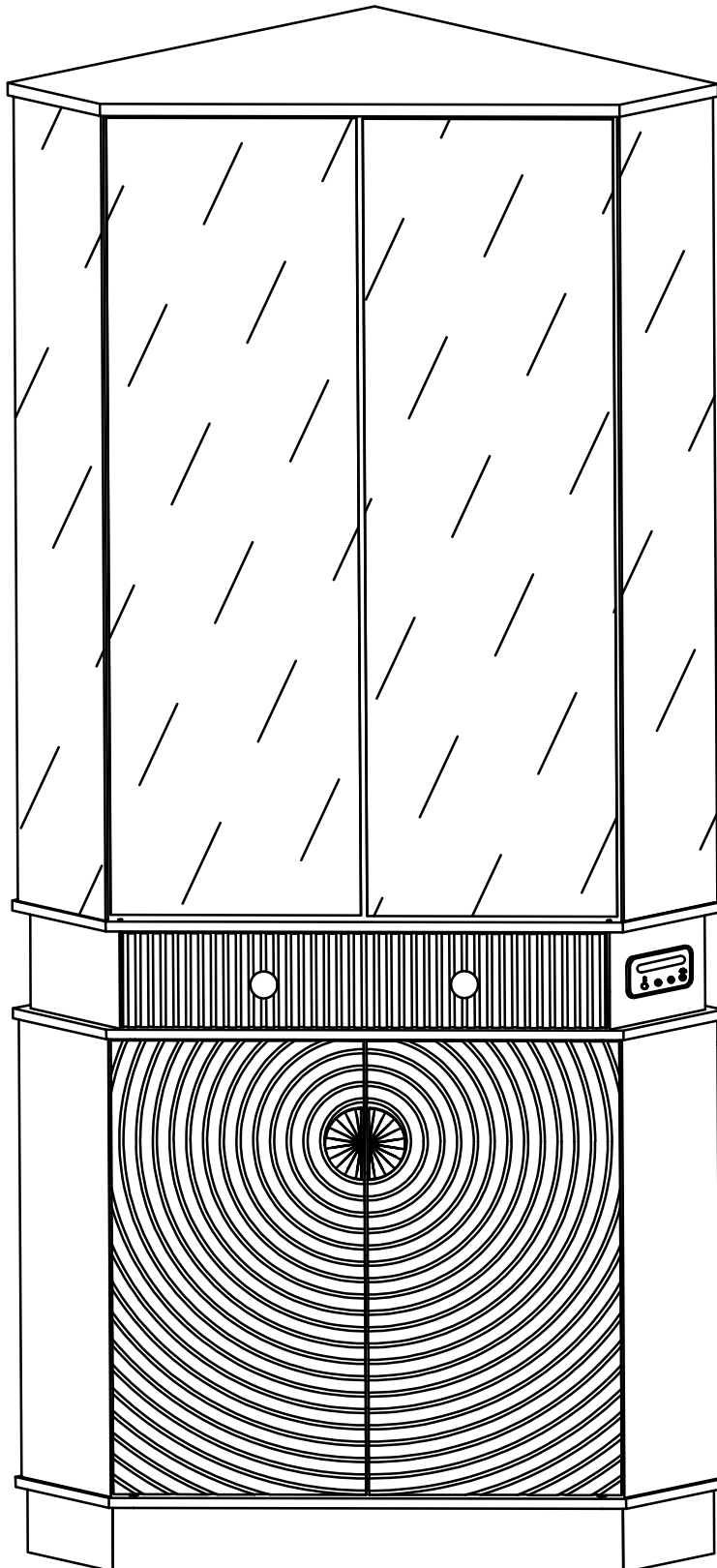
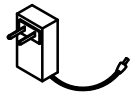
ⓐ   x16



Step 84

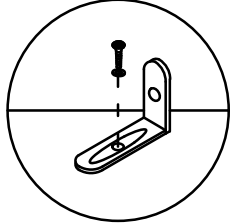


Step 85

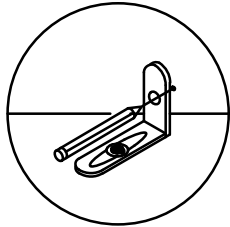


Step 86

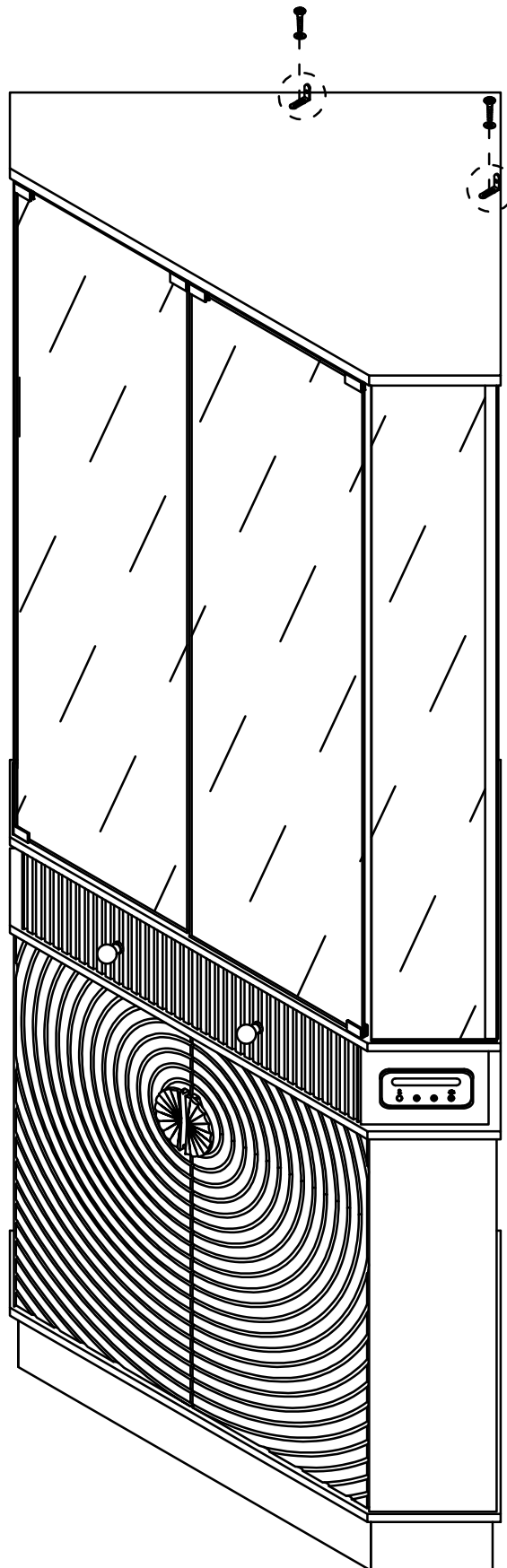
- Q
- x2
- x2
- x2






Install the anti fall hardware on the cabinet as shown in the picture first

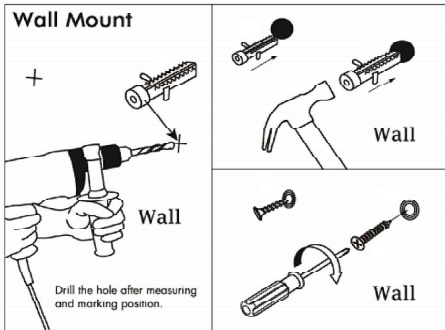


Then mark the wall with a pencil through the holes in the anti-fall hardware



Step 87

- Q  x2
-  x2
-  x2

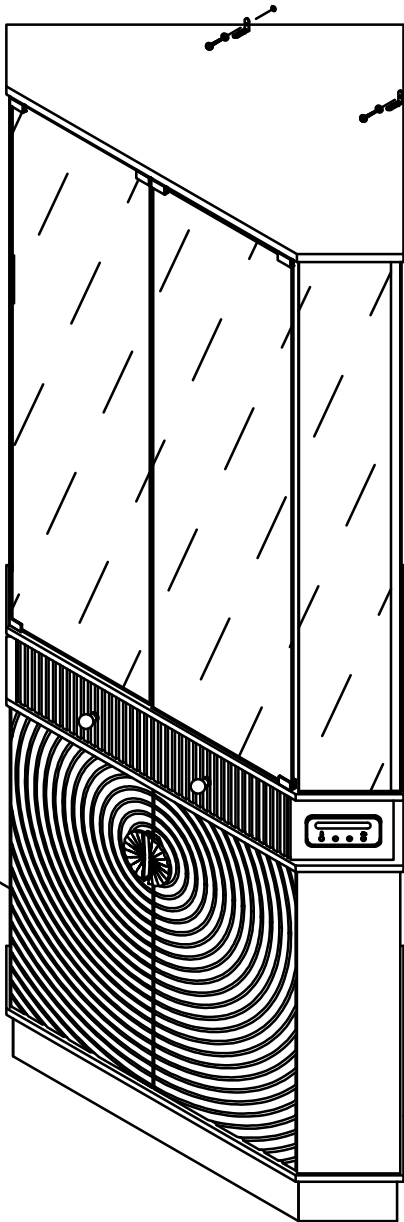


Put the expansion bolt into the hole.

Pass the matching screw through the "anti-rewind" and tighten them to fix them on the wall.

Use a tape drill to make holes in the wall that are suitable for the product screws.

wall



wall



User Manual

1. When using this product, please connect it to a 12V DC power supply.
2. If there is no touch response suddenly, you can try to cut off the power, reconnect and reset the program.
3. If bubbles appear on the panel, please remove the protective film.

Product Presentation

The Smart Color-Changing Box comes equipped with a built-in 5.8G radar motion sensor, capable of detecting nearby objects within a 2-meter range to automatically turn the light on. It offers 24 different light colors and multiple lighting modes for easy switching.

Function Introduction

The touch button can switch the radar sensing function. A single touch activates the radar sensing function, and the indicator light turns on, causing the light to illuminate. When no movement is detected within 30 seconds, the indicator light and the controlled light will turn off. If there is movement of people or objects within a 2-meter range, the indicator light will turn on, and the controlled light will illuminate.

Press and hold the button for more than 0.5 seconds to deactivate the human body sensing function. The indicator light will turn off, and the light strip will remain in its previous state, unaffected by human or object movement.

By default, the radar sensing function is enabled when the smart box is powered on for the first time.

This area is for the color switching function. You can click or swipe to any position on the color bar to switch to the desired color.

This touch button is the main switch of the smart box. It can turn off all functions of the box and control the turning on or off of the light strip. When the light is on, long-pressing the button can realize stepless dimming of the light. The default light color is white when the device is powered on for the first time.



This touch button activates the dynamic phantom color mode, which features 5 different magic color transition modes.

This touch button is for the single-color switching function of the light strip, with 7 colors available for switching.