

**Talis S**  
**SemiArc Kitchen Faucet, 2-Spray Pull-Out, 1.75 GPM**  
 Finishes : **chrome** Part no. : **04247000**



**Description**

**Features**

- Swivel range 150°
- Aerated spray, needle spray
- Locking spray diverter (reverts to default spray mode upon valve closing)
- deck mounted
- Flow: 1.75 GPM (6.6 L/Min)
- Ceramic cartridge
- 3/8" connections
- Integrated double backflow prevention

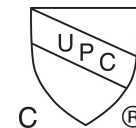
**Item details**

List Price \$ 650.00

**Technology**



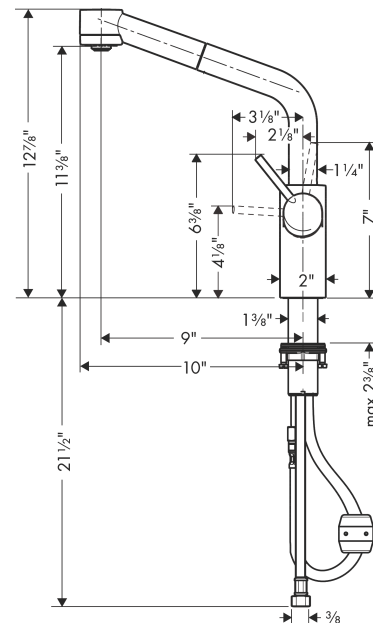
**Compliance**



**Product image**



**Scale drawing**

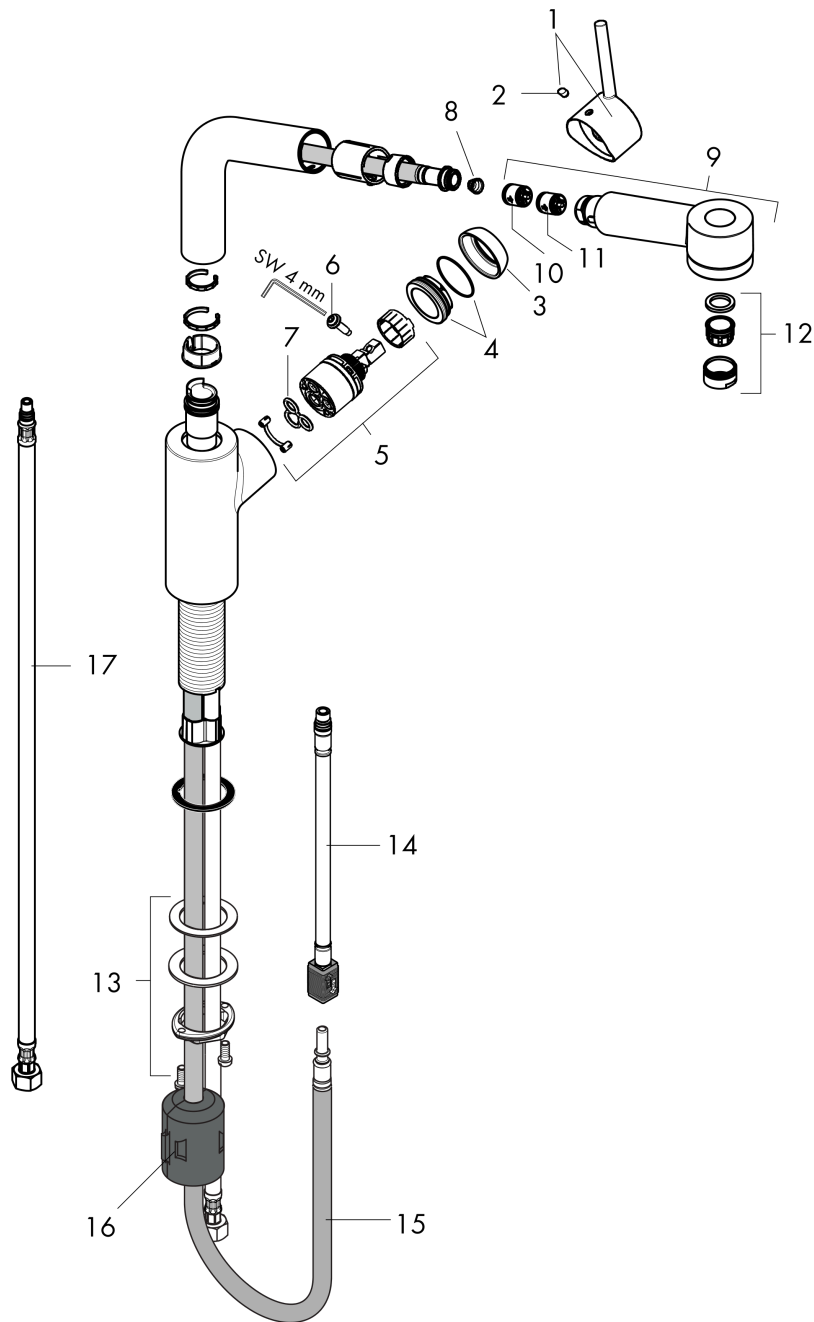


**Talis S**  
**SemiArc Kitchen Faucet, 2-Spray Pull-Out, 1.75 GPM**  
 Finishes : **chrome**    Part no. : **04247000**



Exploded drawing

Year of production: >11/20



**Talis S**  
**SemiArc Kitchen Faucet, 2-Spray Pull-Out, 1.75 GPM**  
 Finishes : **chrome** Part no. : **04247000**



## Spare parts list

Year of production: >11/20

Pos.	Description	Part no.	Price	PU
1	handle	95560000	-	1
2	screw cover	96338000	-	1
3	flange	96468000	-	1
4	nut	97209000	-	1
5	cartridge, assy	92730000	-	1
6	locking screw for handle	95140000	-	1
7	seal	95008000	-	1
8	filter	97735000	-	1
10	non return valve	93218000	-	1
11	set of non return valves DW 15	94074000	-	1
12	aerator M24x1 (15 l/min)	13913000	-	1
13	fixing set (Ø 34)	95049000	-	1
14	connection hose 600 mm M10x1	95561000	-	1
15	hose 1,50 m	88624000	-	1
16	weight	98551000	-	1
17	connection hose 35½" M8x0,75 3/8"	96316001	-	1