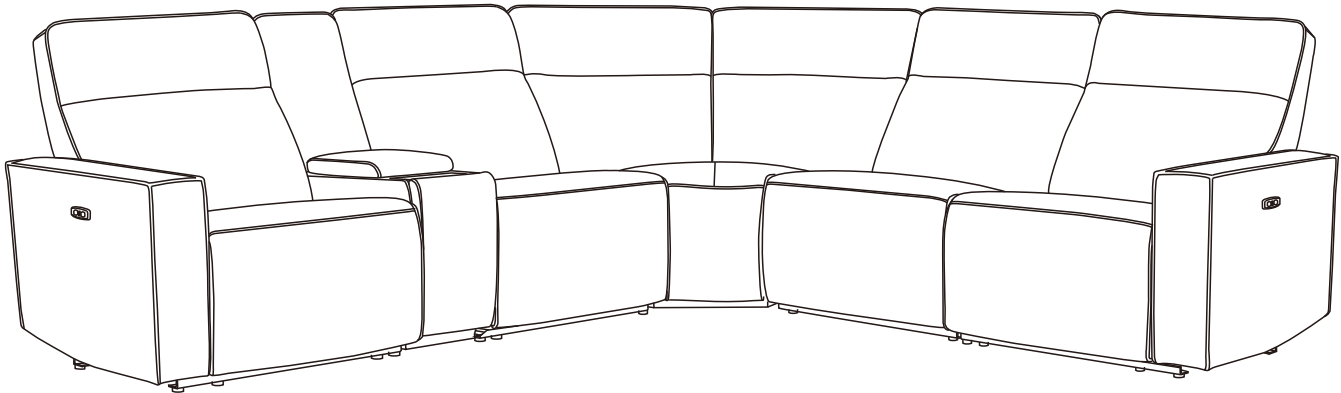


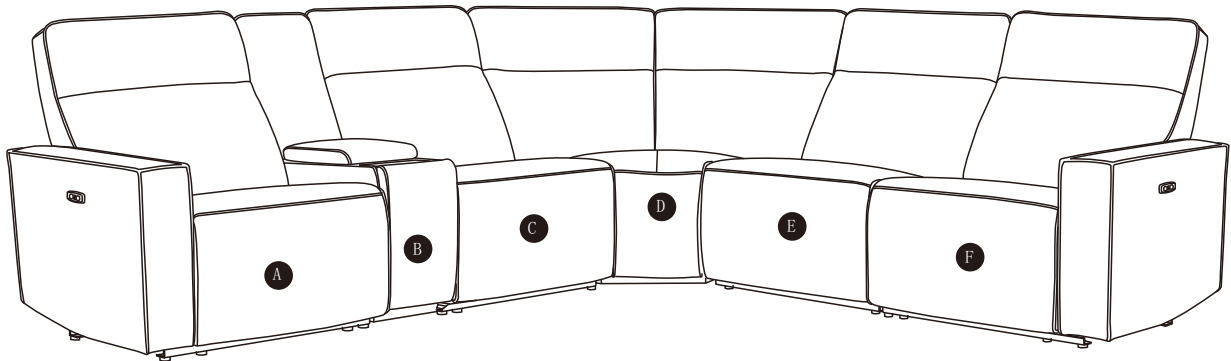
# 6 PCs Sectional KM.912 Assembly Manual



 **CAUTION**

THIS ASSEMBLY MANUAL CONTAINS IMPORTANT SAFETY INFORMATION.  
PLEASE READ AND KEEP FOR FUTURE REFERENCE.

## COMPONENTS



Ⓐ Left-arm sofa

Ⓑ Coffee table

Ⓒ Armless sofa-1

Ⓓ Corner sofa

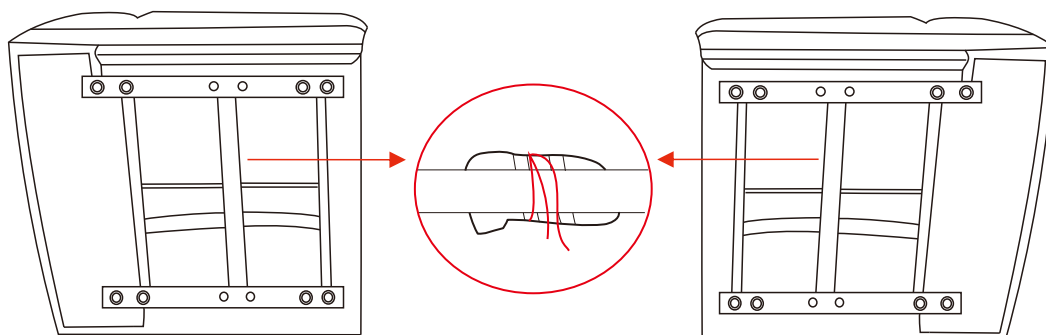
Ⓔ Armless sofa-2

Ⓕ Right-arm sofa

## ASSEMBLY

### STEP 1

Take out both Right armrest and Left armrest at the bottom of the sofa.

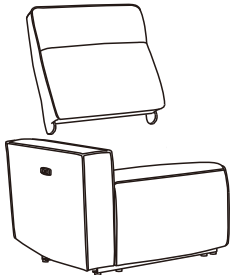


Ⓐ Left-arm sofa

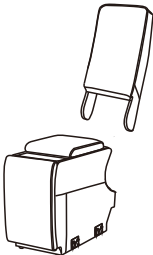
Ⓕ Right-arm sofa

**STEP 2**

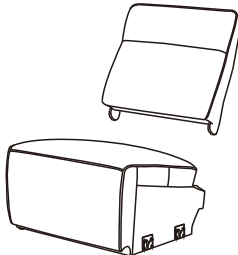
Align the functional connector of the backrest and cushion and press down.



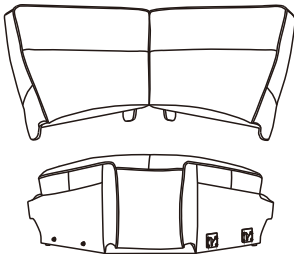
**A** Left-arm sofa



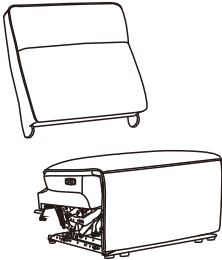
**B** Coffee table



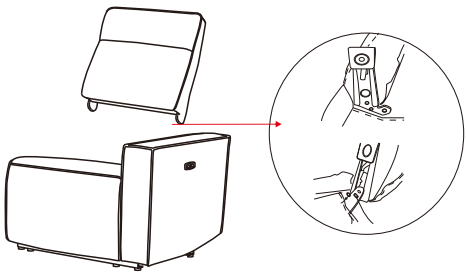
**C** Armless sofa



**D** Corner sofa



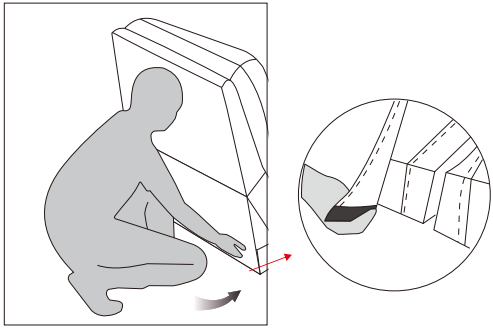
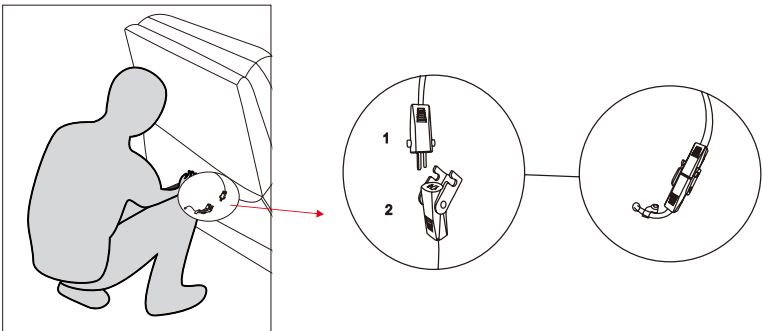
**E** Armless sofa



**F** Right-arm sofa

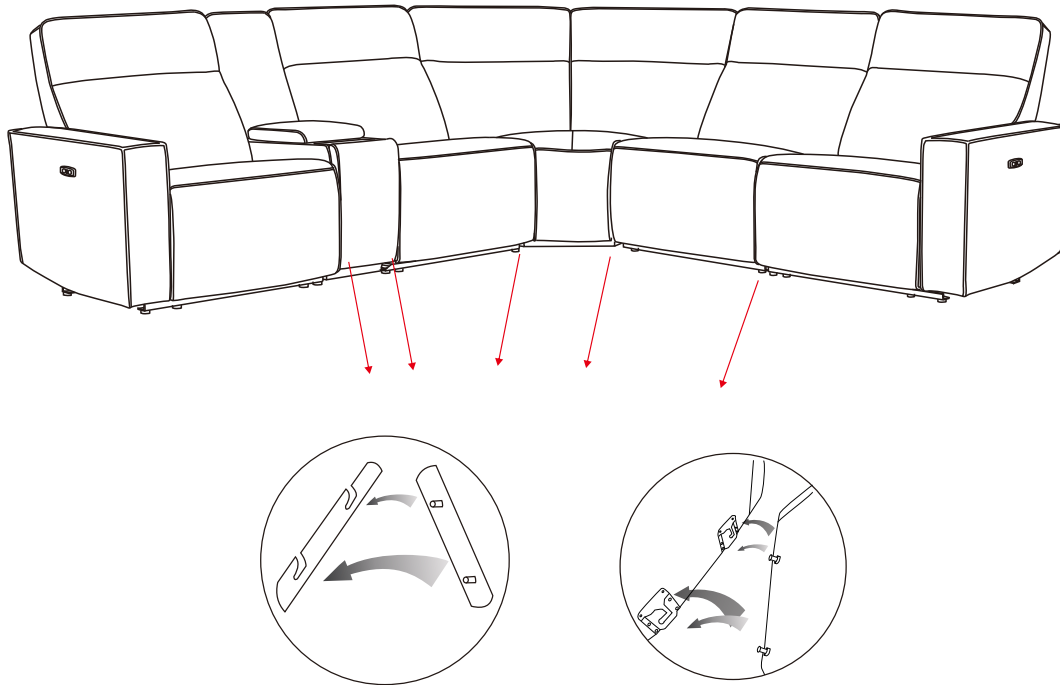
**STEP 3**

Connect the wires between the backrest and the seat cushion, and attach the Velcro to the back seal.



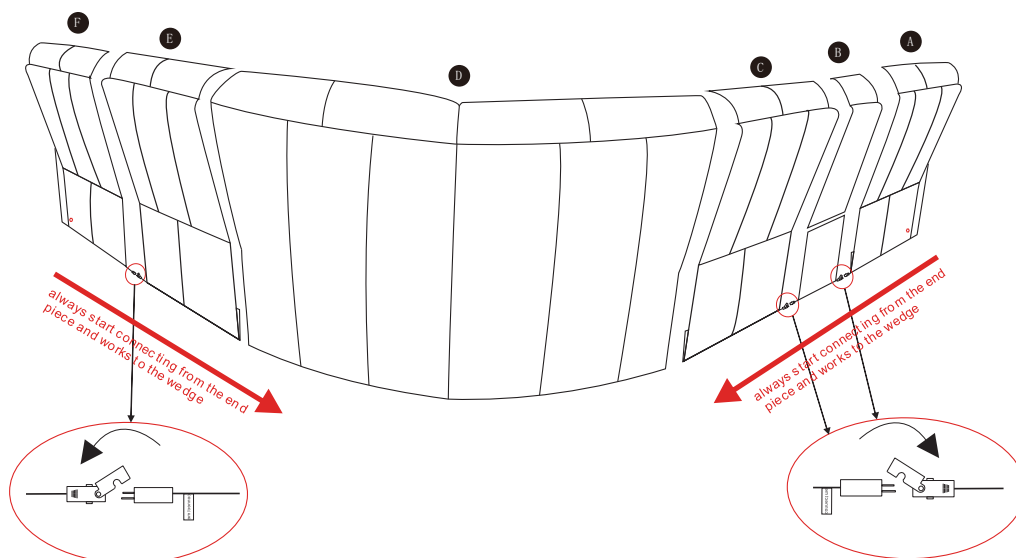
**STEP 4**

Cable connections between components as below.



**STEP 5**

Connect the cables of each sofa component.



**STEP 6**

Connect one end of the power cord into the DC adaptor located at the back of the seat. Plug the other end of power cord into the power outlet.

