

ASSEMBLY INSTRUCTIONS

120-925

TOOLS REQUIRED:






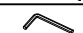

Allen wrench (Provided, part # E, F)
Phillips Screwdriver (not provided)

BEFORE YOU START:

1. Check the parts against the parts list to make sure all items are present.
2. Assemble your furniture on a soft, flat surface to avoid scratching the finish.
3. **CAUTION:** Do not over tighten screws, nuts or bolts during assembly.
4. Your furniture may require occasional tightening.

INSTRUCTIONS:

1. Turn the table upside down on a clean soft surface.
2. Attach both leg frames to the table top using bolt (A), spring washers (C), and flat washers (D), tighten with the wrench (E) as shown Fig 1 (do not over tighten bolt).
3. Attach the support rail the leg frame to using bolt (B), and tighten with the Allen wrench (F) as shown Fig 2.
4. Tighten all bolts before using the table.
5. For safety purpose, we recommend fixing of Anti-tip kit (G) as shown in Fig 3.

No.	Hardware List	Q'ty
A	 Bolt (Ø1/4"*5/8")	10pcs
B	 Bolt (Ø5/16"*1-1/4")	2pcs
C	 Lock Washer (Ø1/4")	10pcs
D	 Flat Washer (Ø1/4"x16mm)	10pcs
E	 Allen Wrench 4mm	1 pc
F	 Allen Wrench 5mm	1 pc
G	 Anti-Tip	1 set

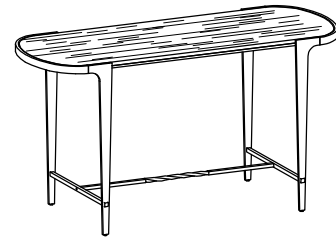


Fig 1

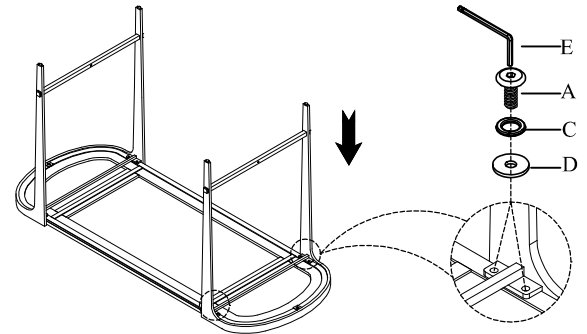


Fig 2

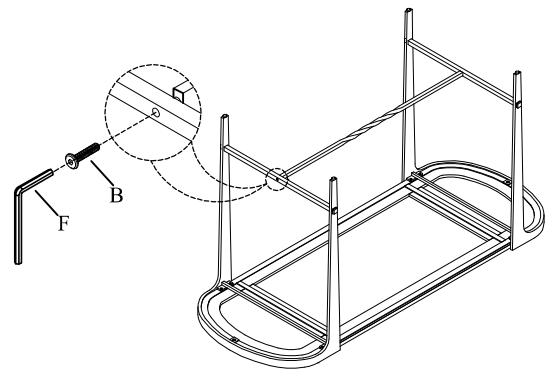


Fig 3

