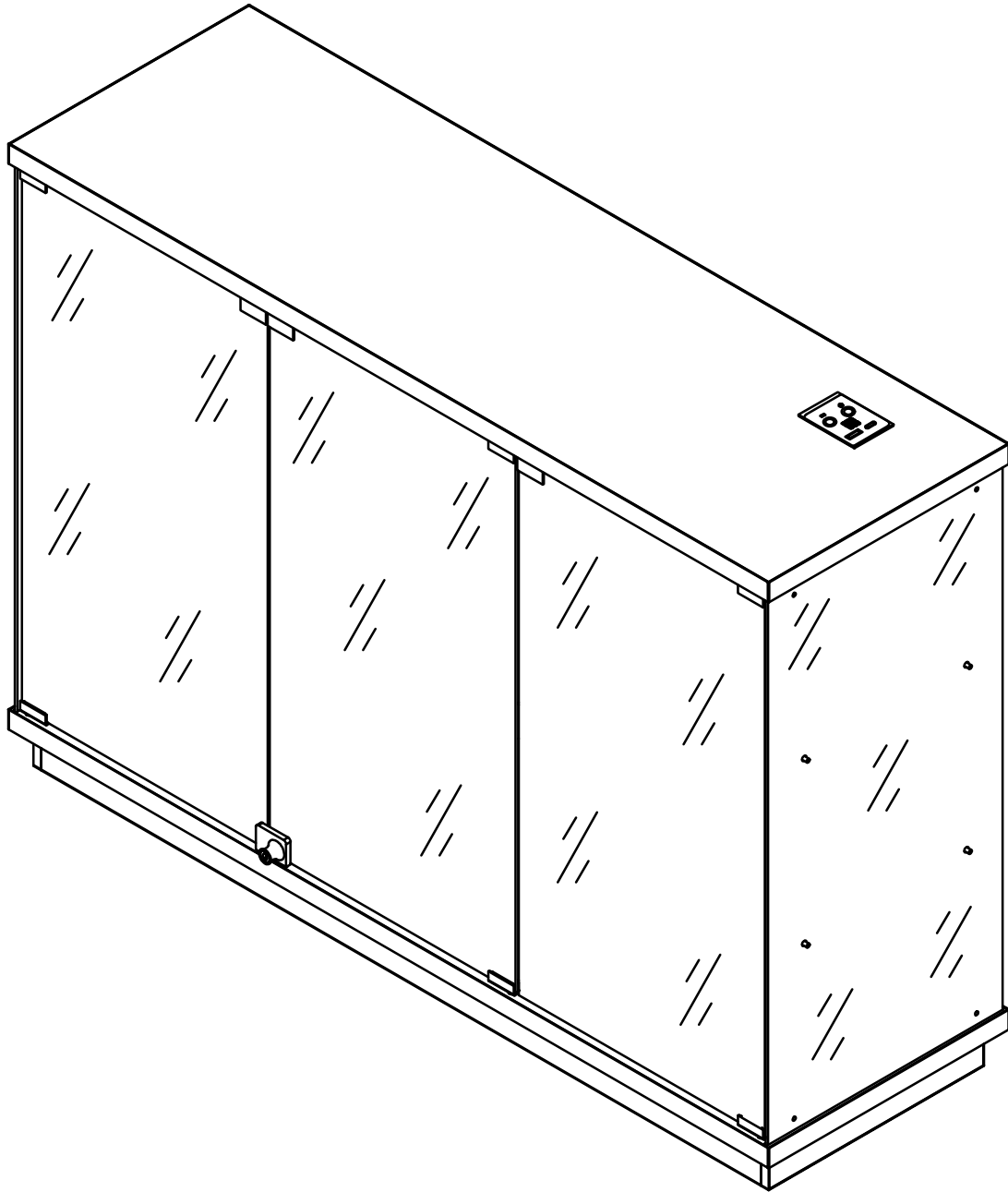
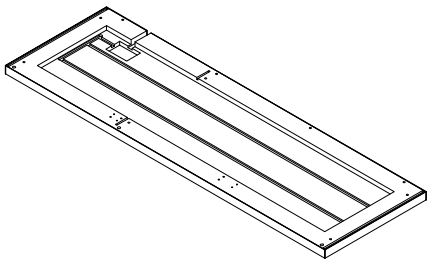
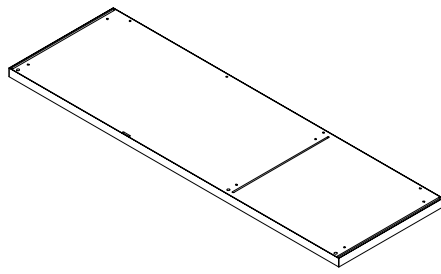


# Product Installation Instructions

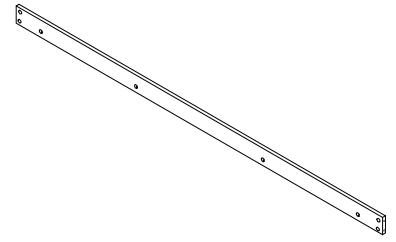




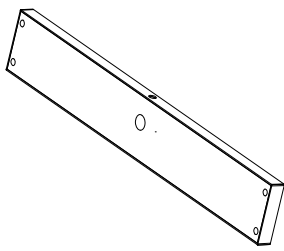
1 x1



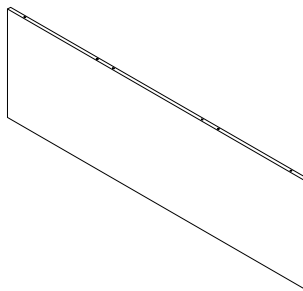
2 x1



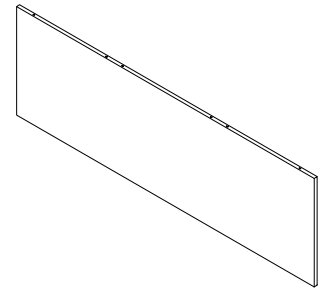
3 x2



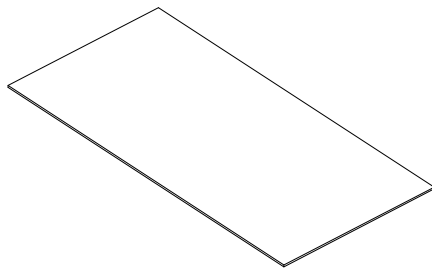
4 x2



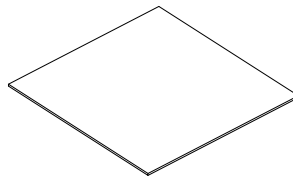
5 x1



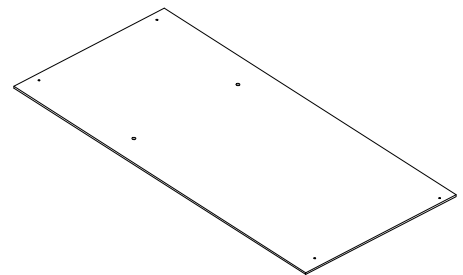
6 x1



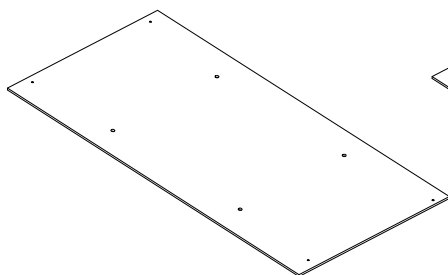
7 x1



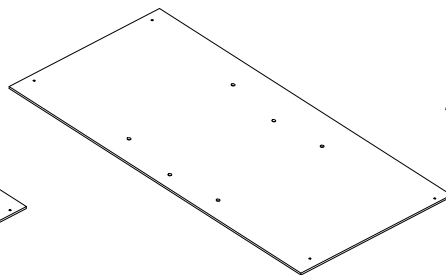
8 x2



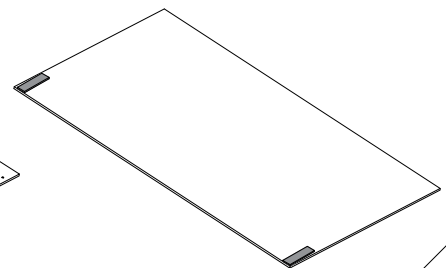
9 x1



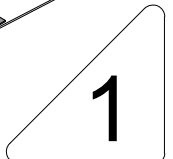
10 x1



11 x1

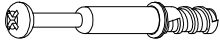


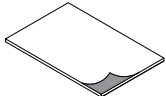
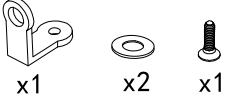
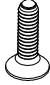
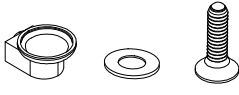



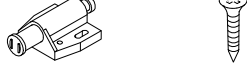



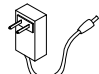


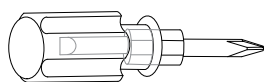
12 x3



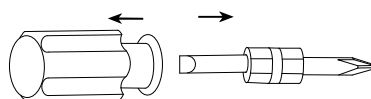
1

# Accessories list

A		Two in one screw (6x28mm)	30pcs +3pcs
B		Two in one nut (10x12mm)	30pcs +3pcs
C		Wood Chipping (6x30mm)	2pcs +1pcs
D		Non-slip pads (50x10mm)	8pcs +2pcs
E	 x1      x2      x1	Corner Bracket, Screw (4x12mm)	12pcs +1pcs
F		Screw (4x12mm)	12pcs +1pcs
G		Laminate Support Nail Screw (6x18mm)	12pcs +1pcs
H		Rebound device & Screw (3x16mm) Iron sheet Hinge	1pcs    4pcs
			4pcs    2pcs
			2pcs    2pcs
I		Rebound device & Screw (3x16mm) Iron sheet Hinge	1pcs    4pcs
			2pcs    1pcs
			1pcs    1pcs
J	 x2	Single door glass lock Key	1pcs
		AC/DC Adapter (12V=2.0A)	1pcs



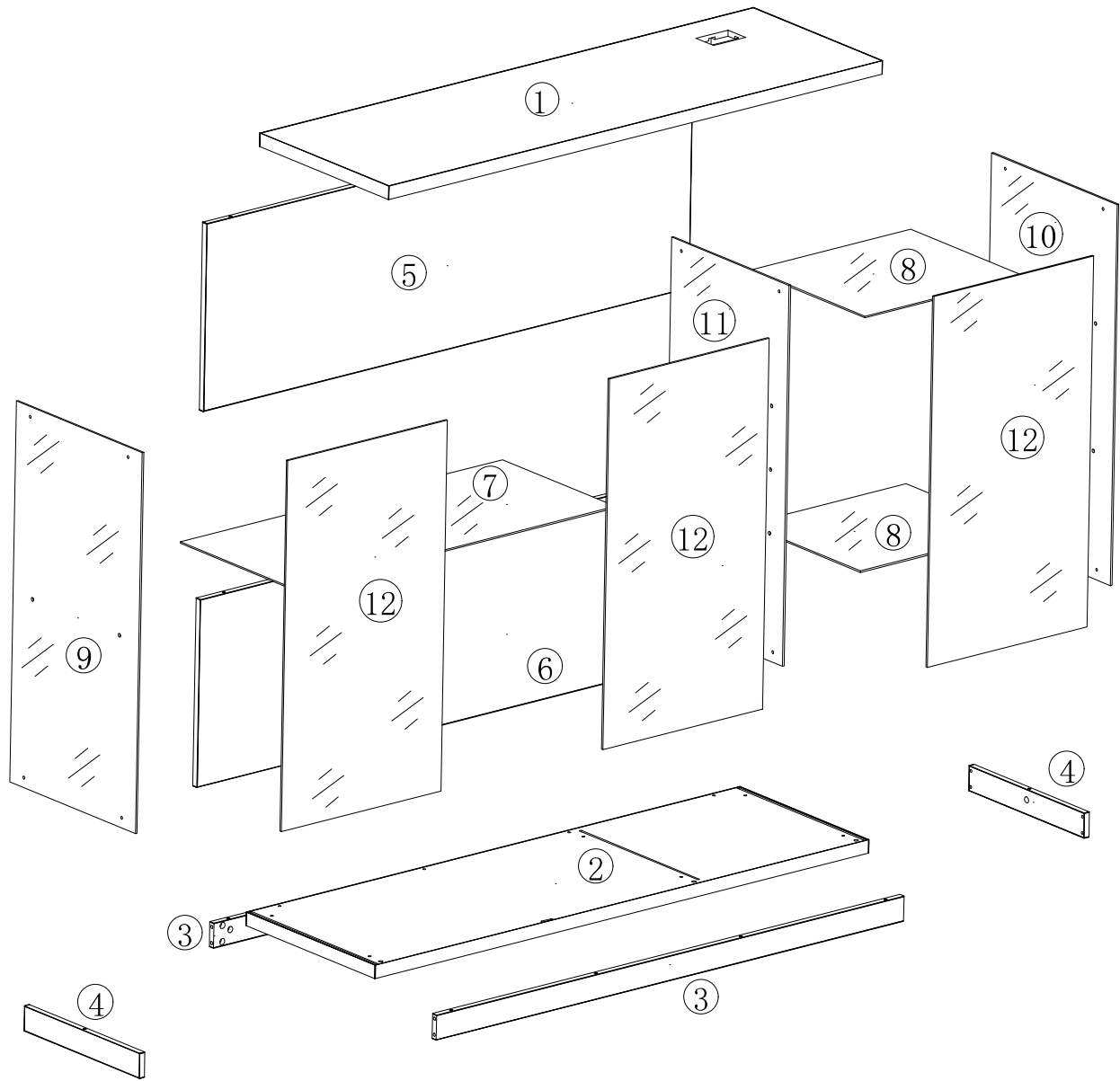
1pcs



Double-head screwdriver, use as required

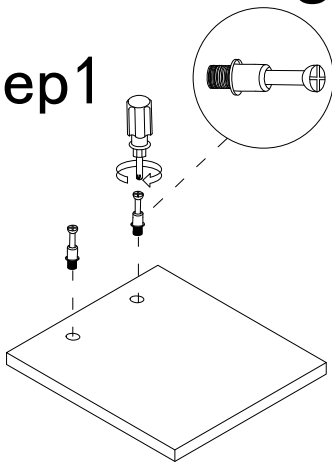
2

# Product structure decomposition

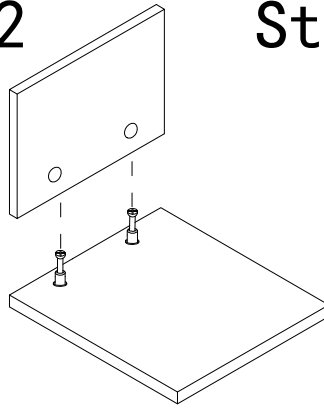


# Use parts A and B

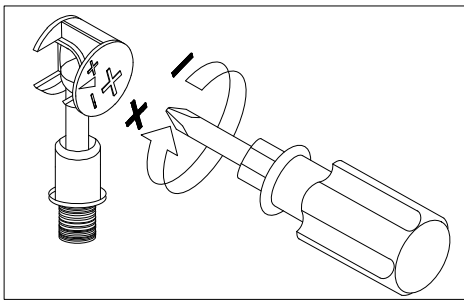
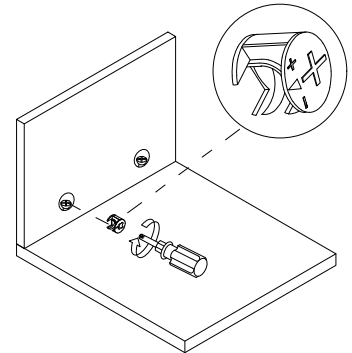
Step1



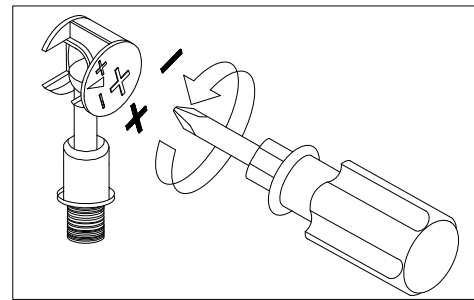
Step2



Step3

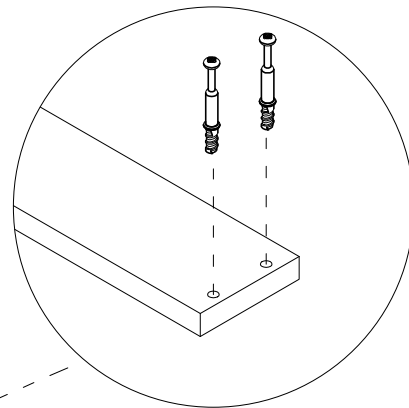
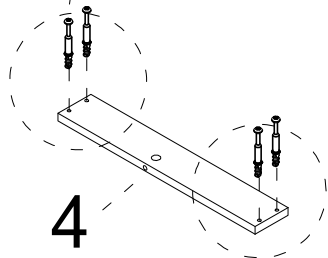
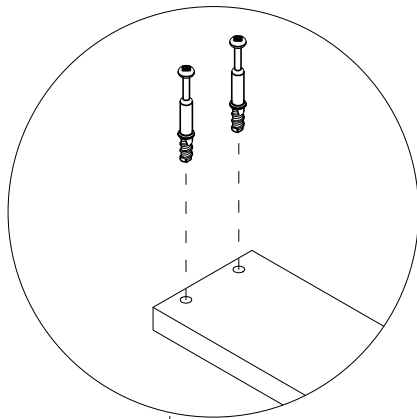
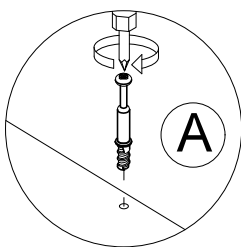
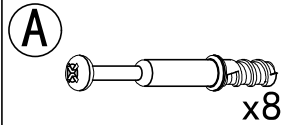


Use a screwdriver to lock in the direction of the "+" sign



Disassemble along the direction of "-" sign

Step 1



# Steps and objects x2

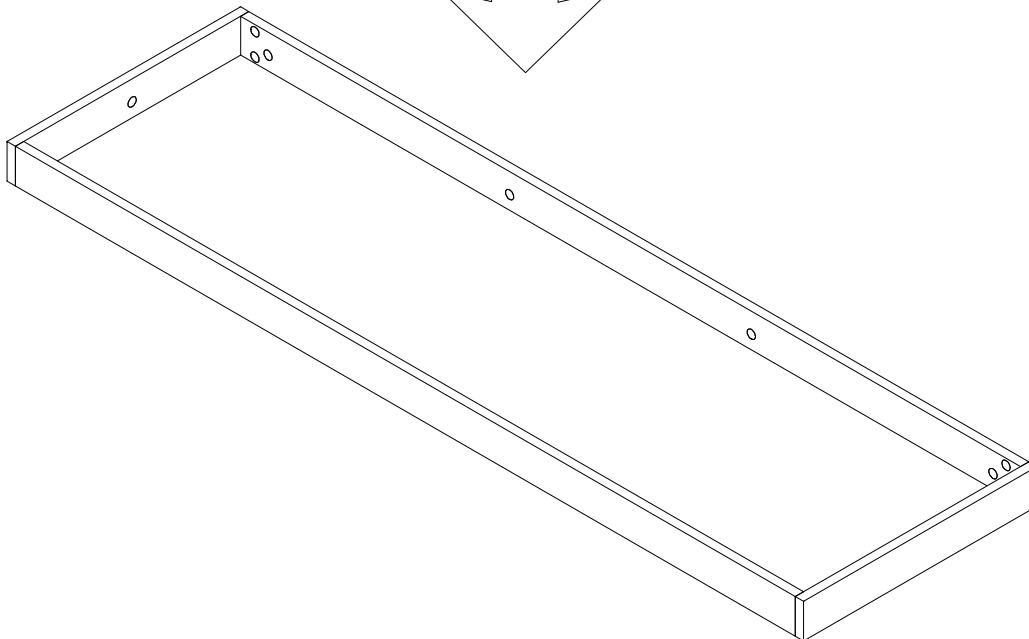
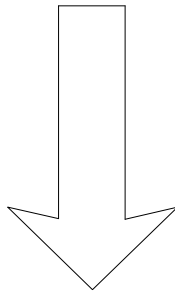
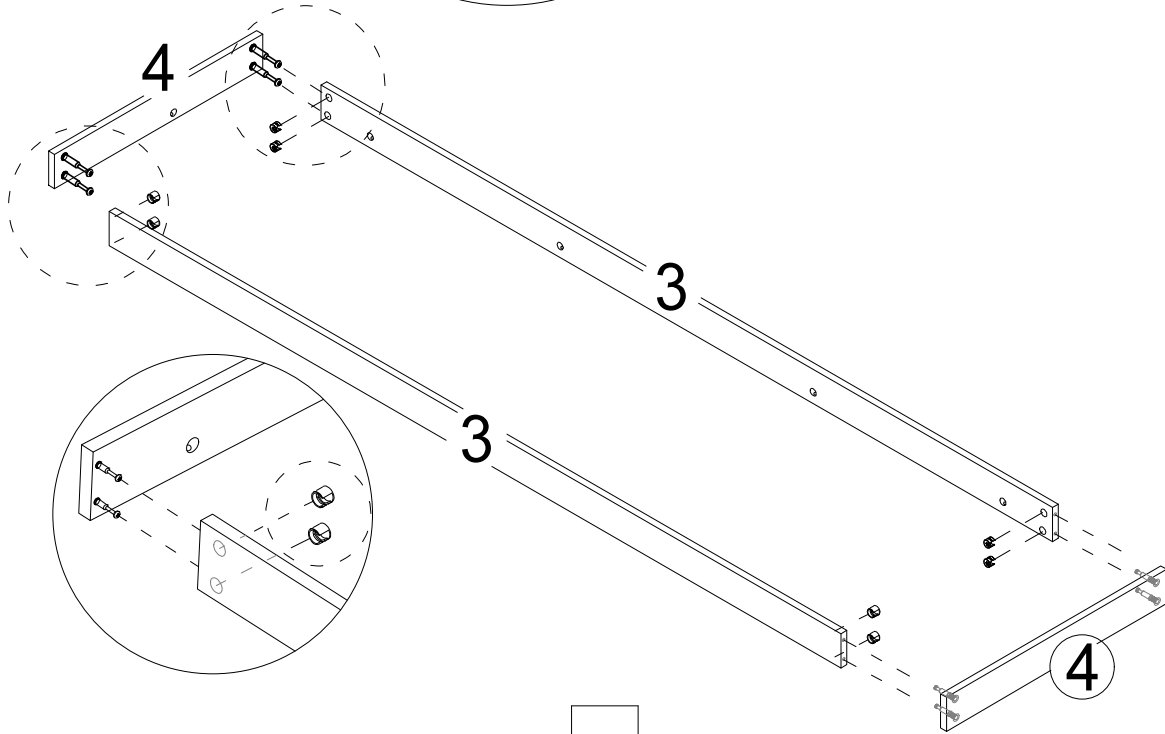
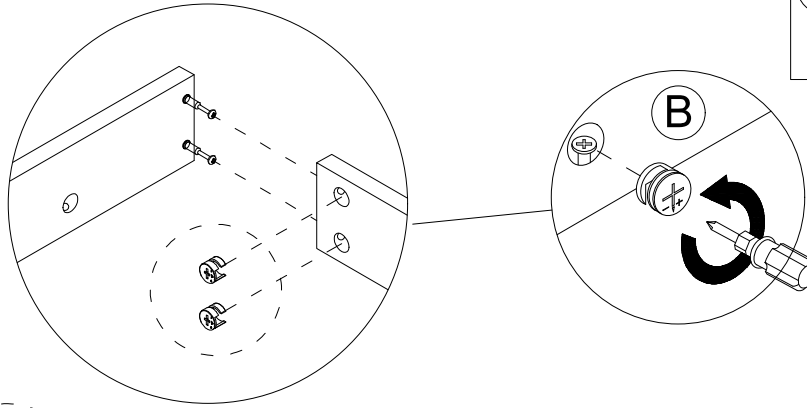
4

Step 2

B

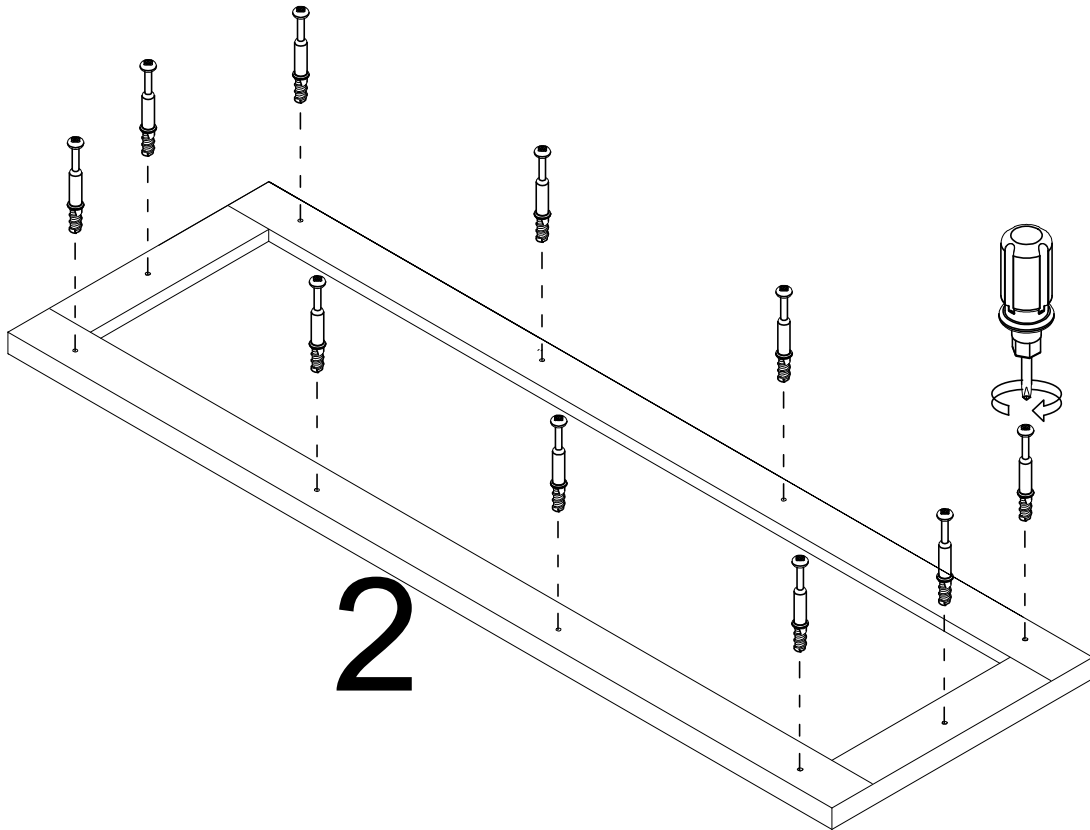
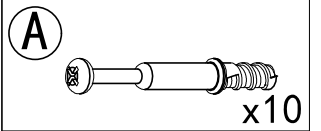


x8

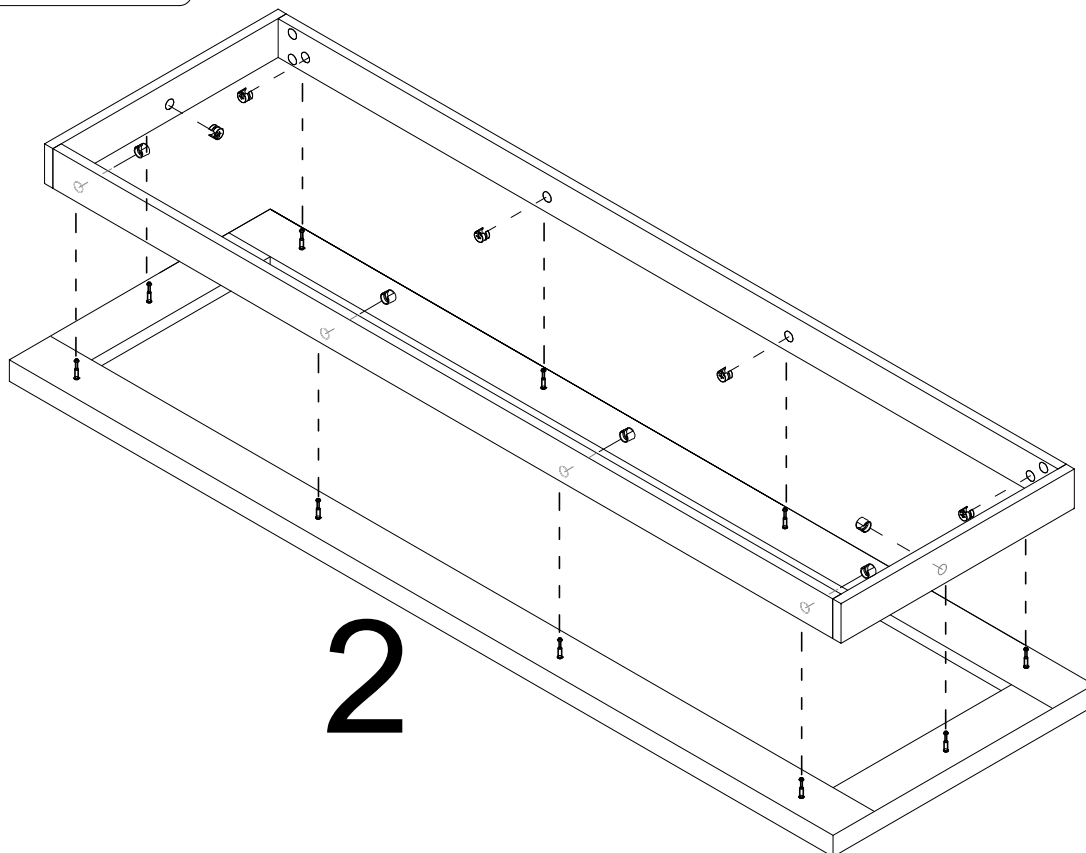
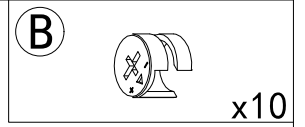


5

Step 3

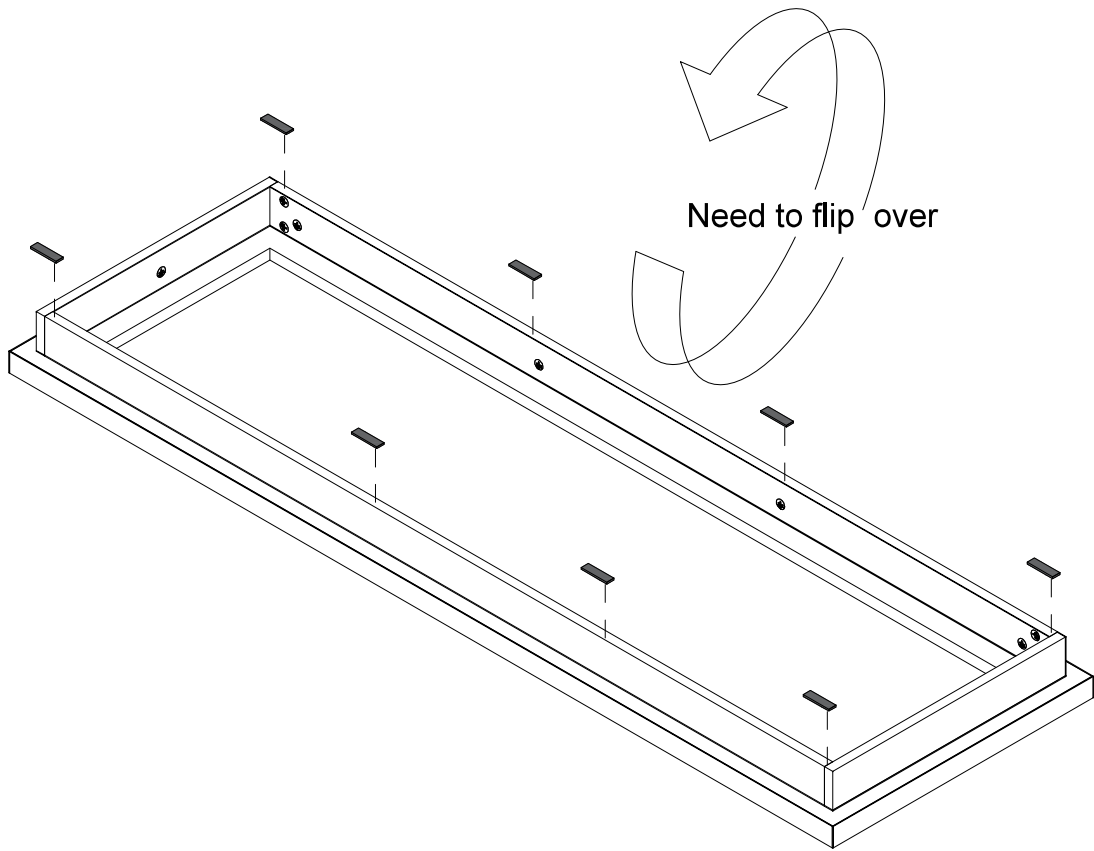
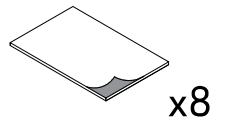


Step 4



## Step 5

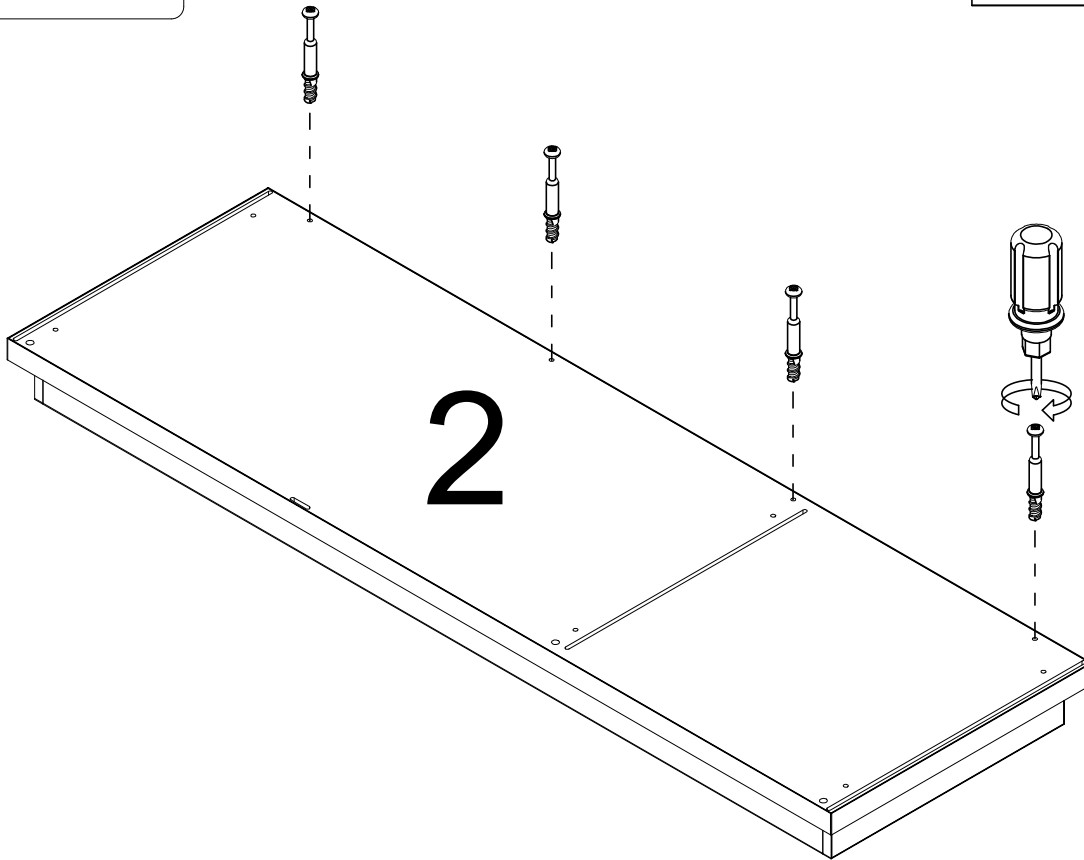
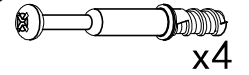
D



Tear off release paper and stick the black foot pad on the board

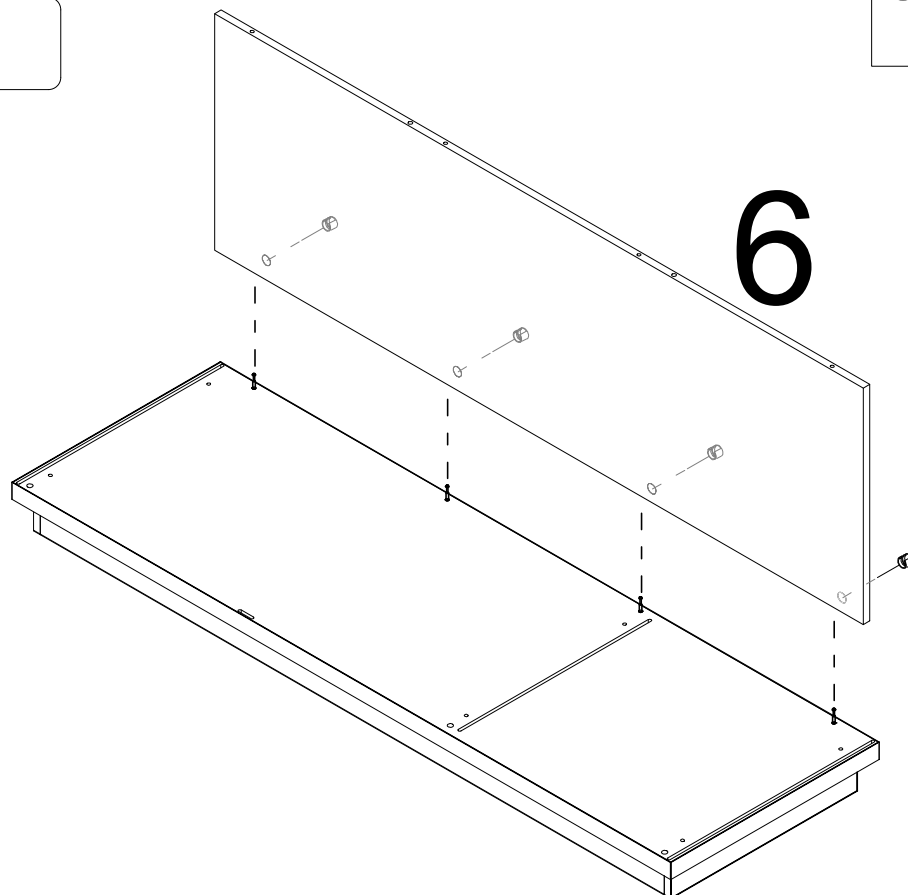
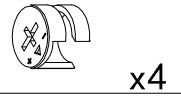
Step 6

A



Step 7

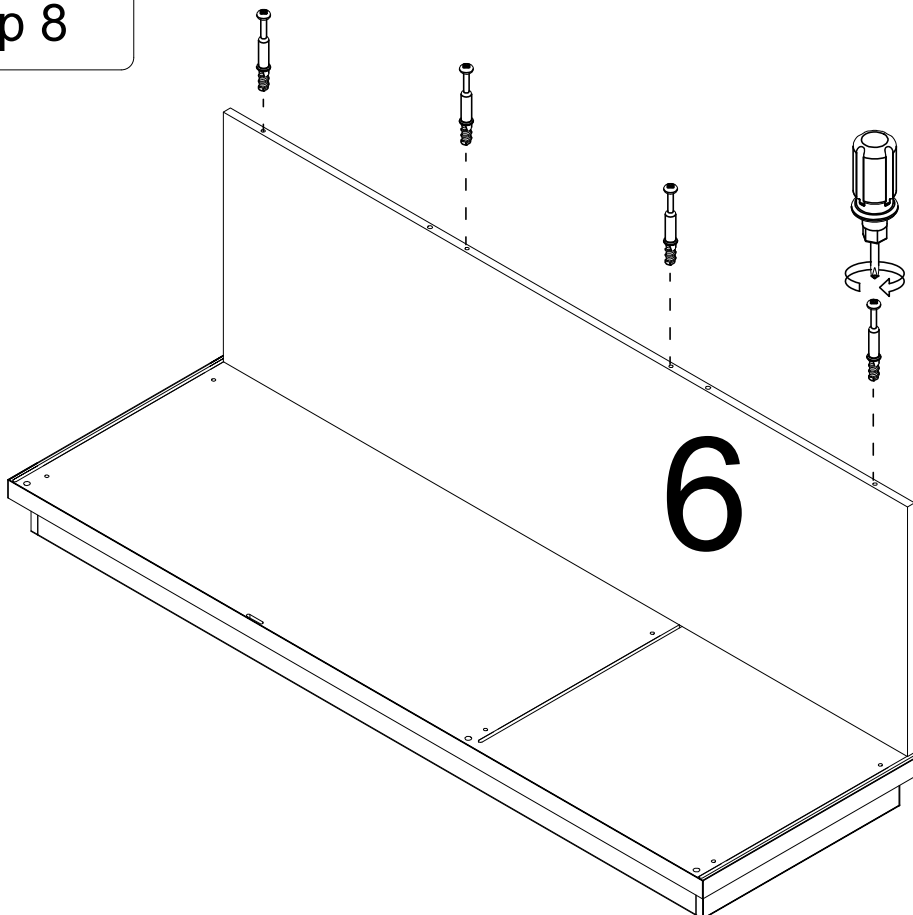
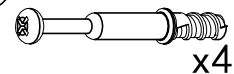
B



8

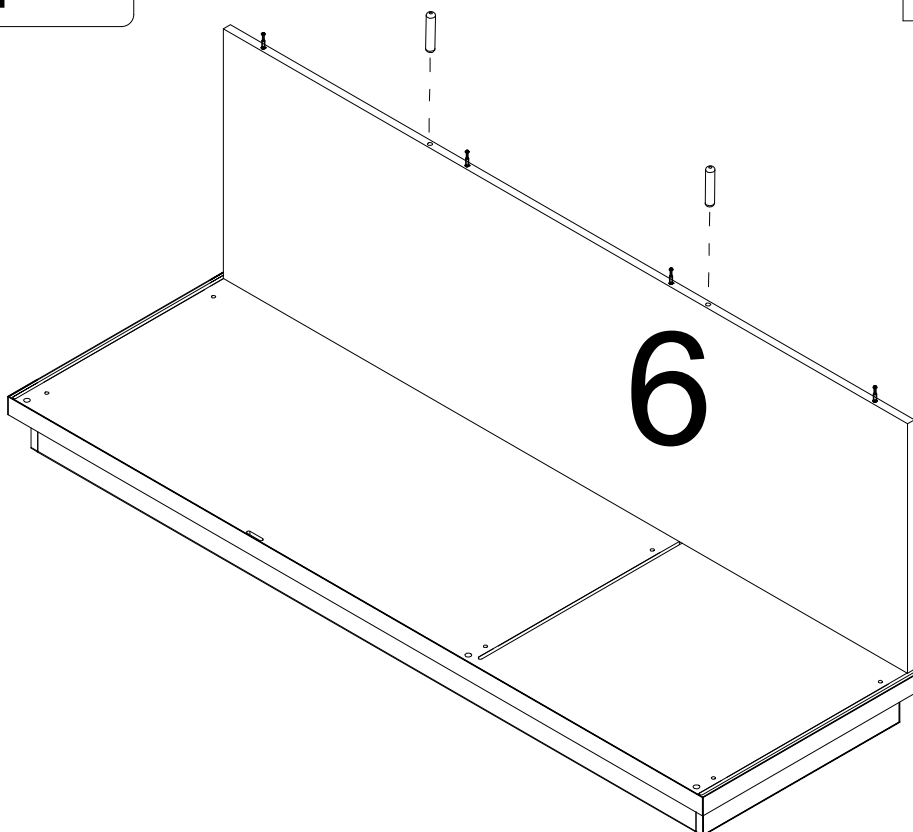
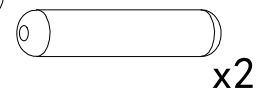
Step 8

A



Step 9

C



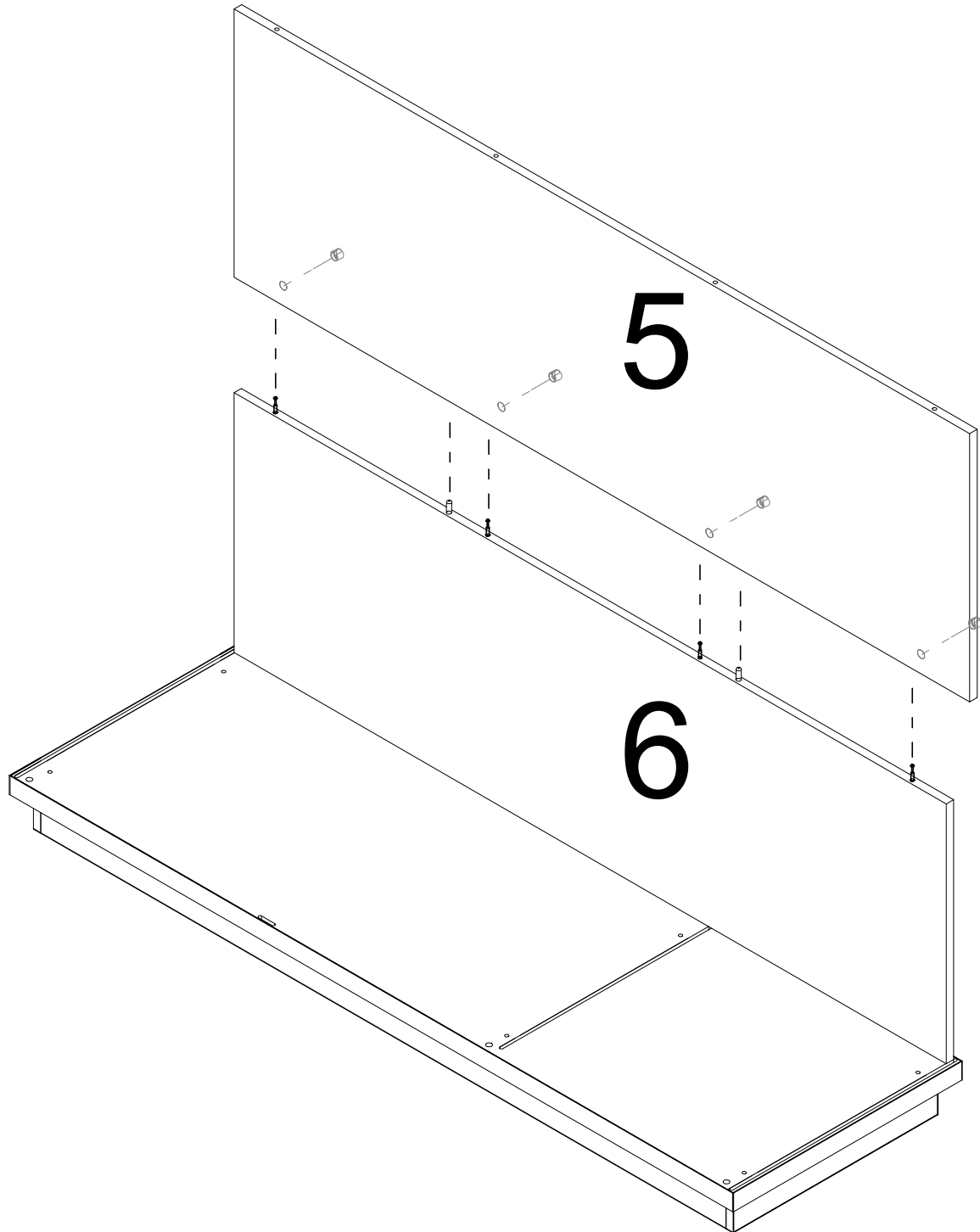
9

Step 10

B






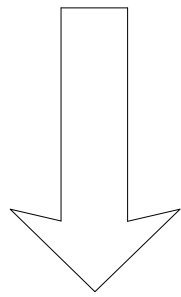
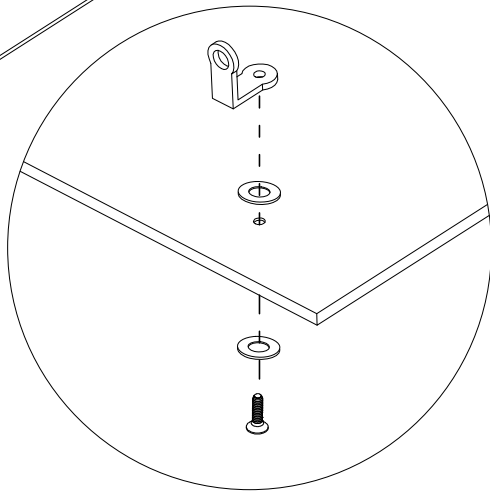
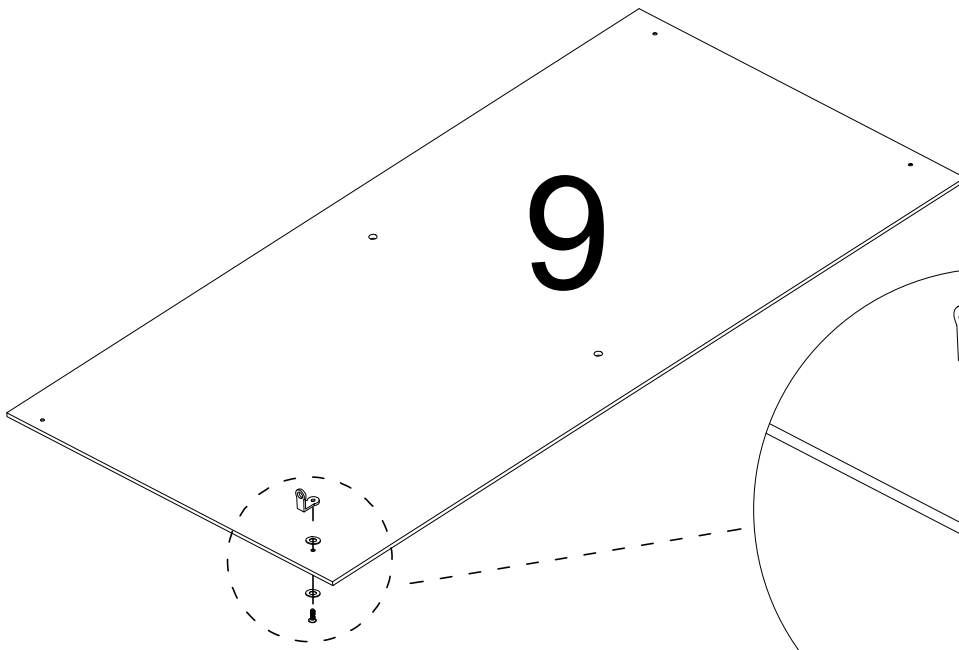
x4



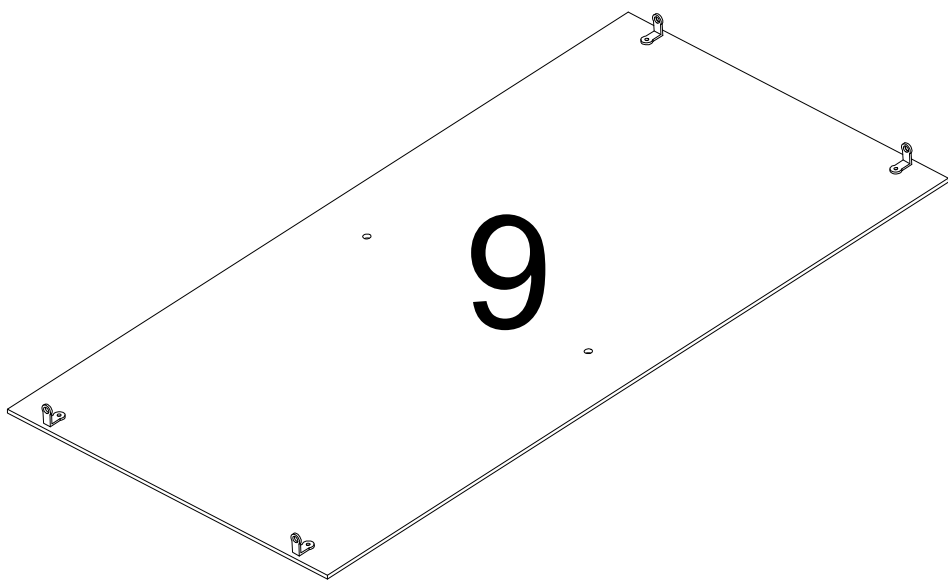
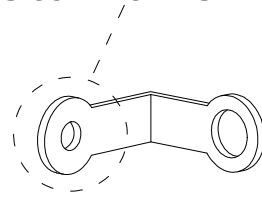
10

Step 11

- E**
-  x4
  -  x8
  -  x4



Install this hole

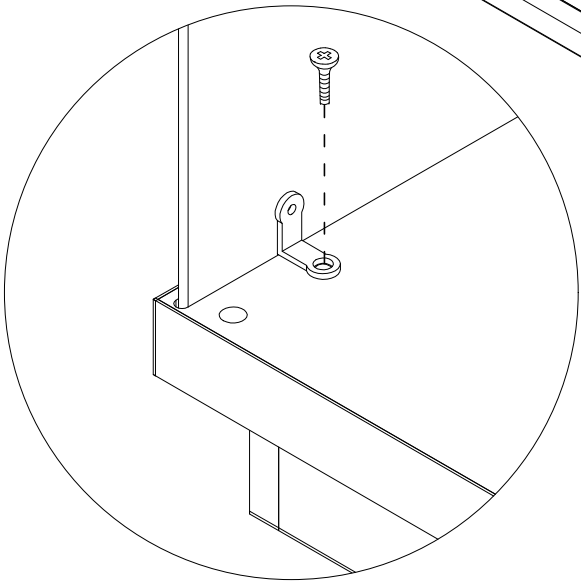
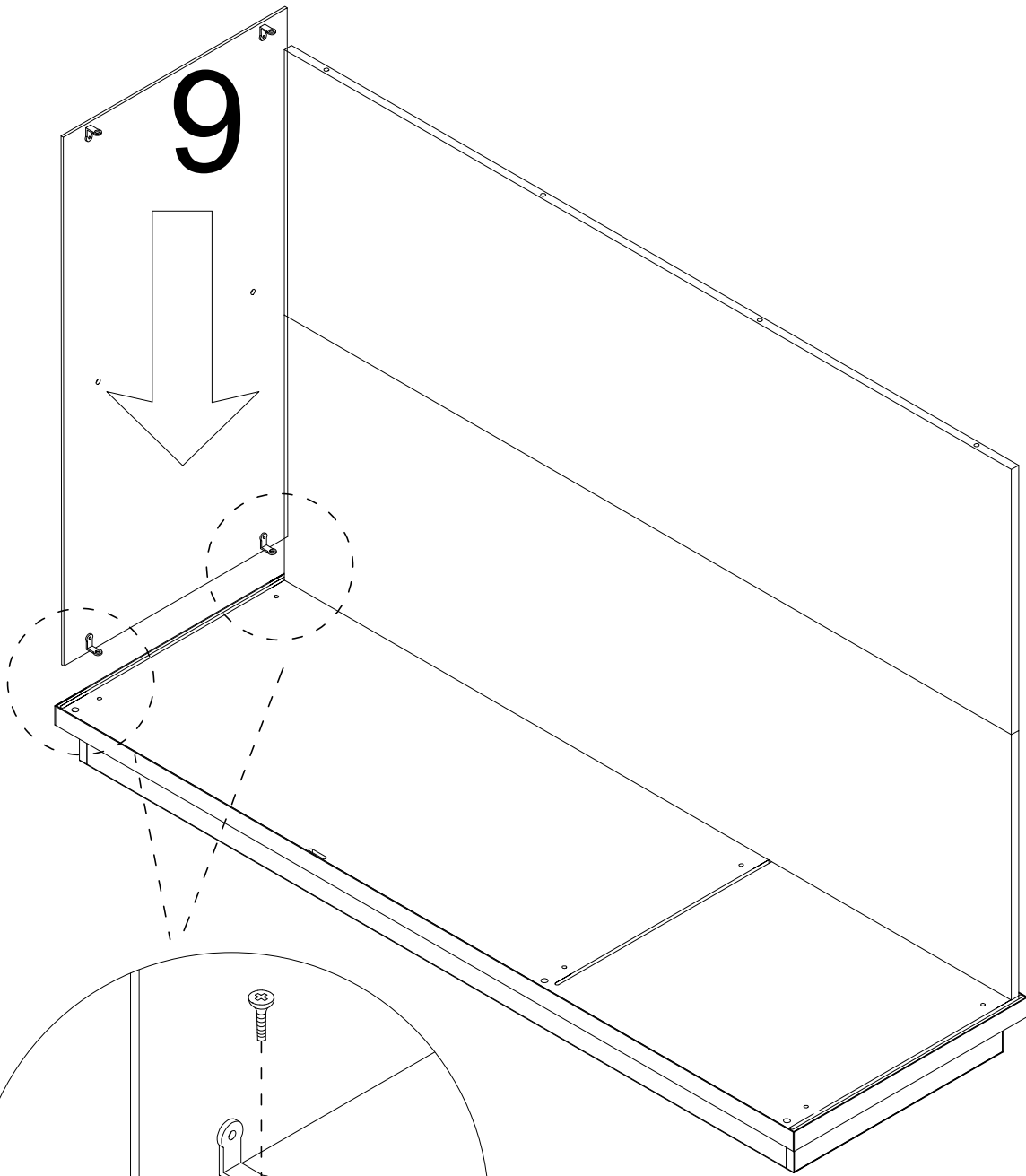


Step 12

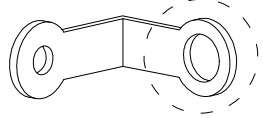
F






x2

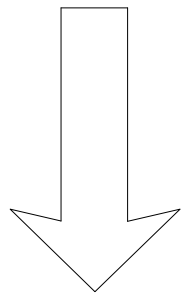
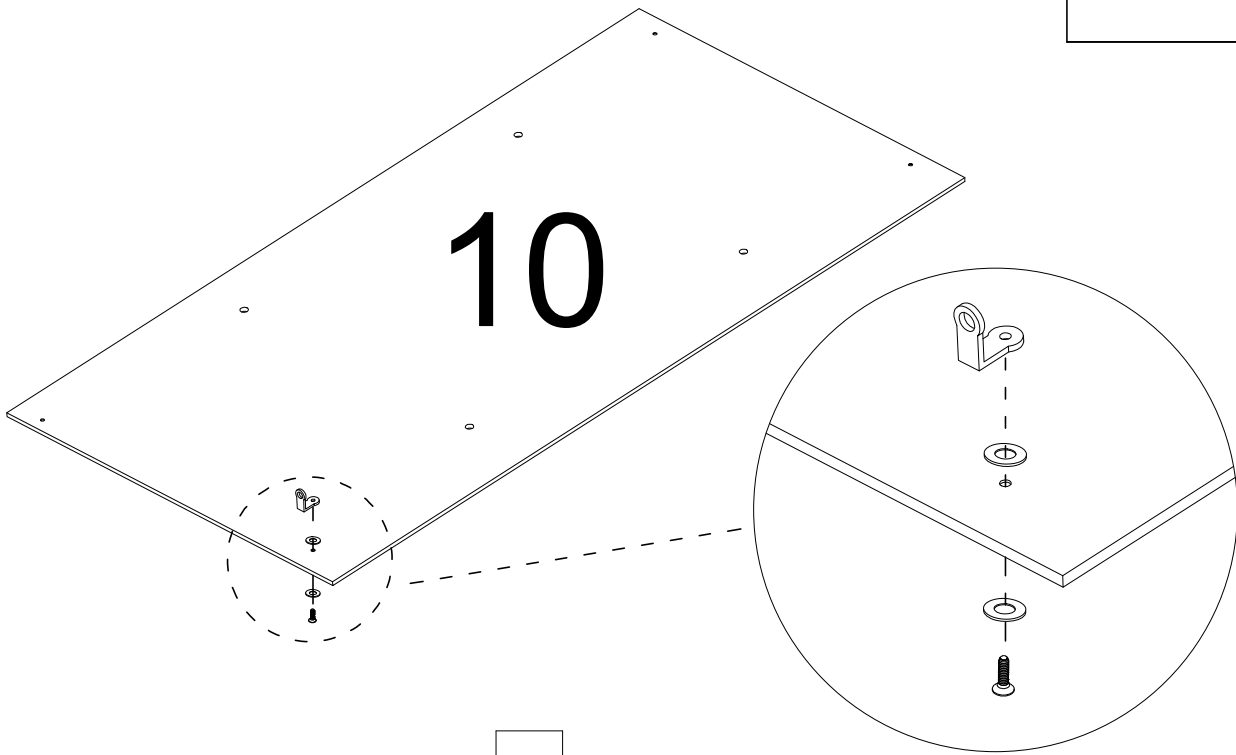


Install this hole

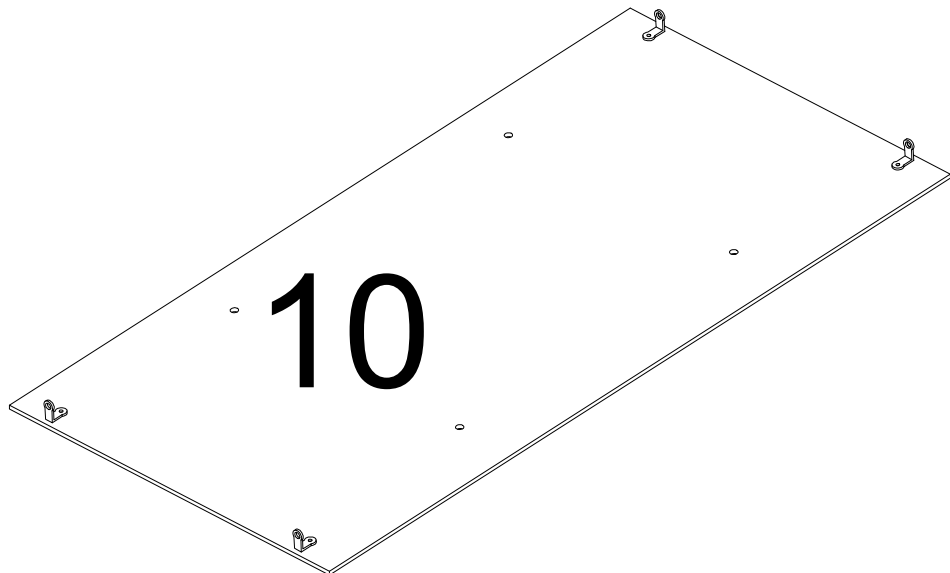
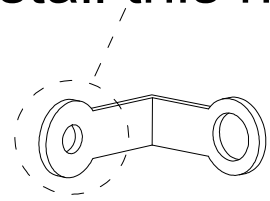


Step 13

- E**
-  x4
  -  x8
  -  x4

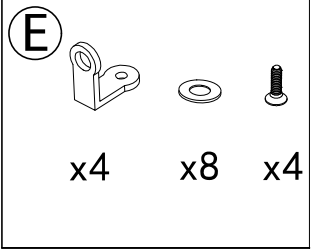


Install this hole



Step 14

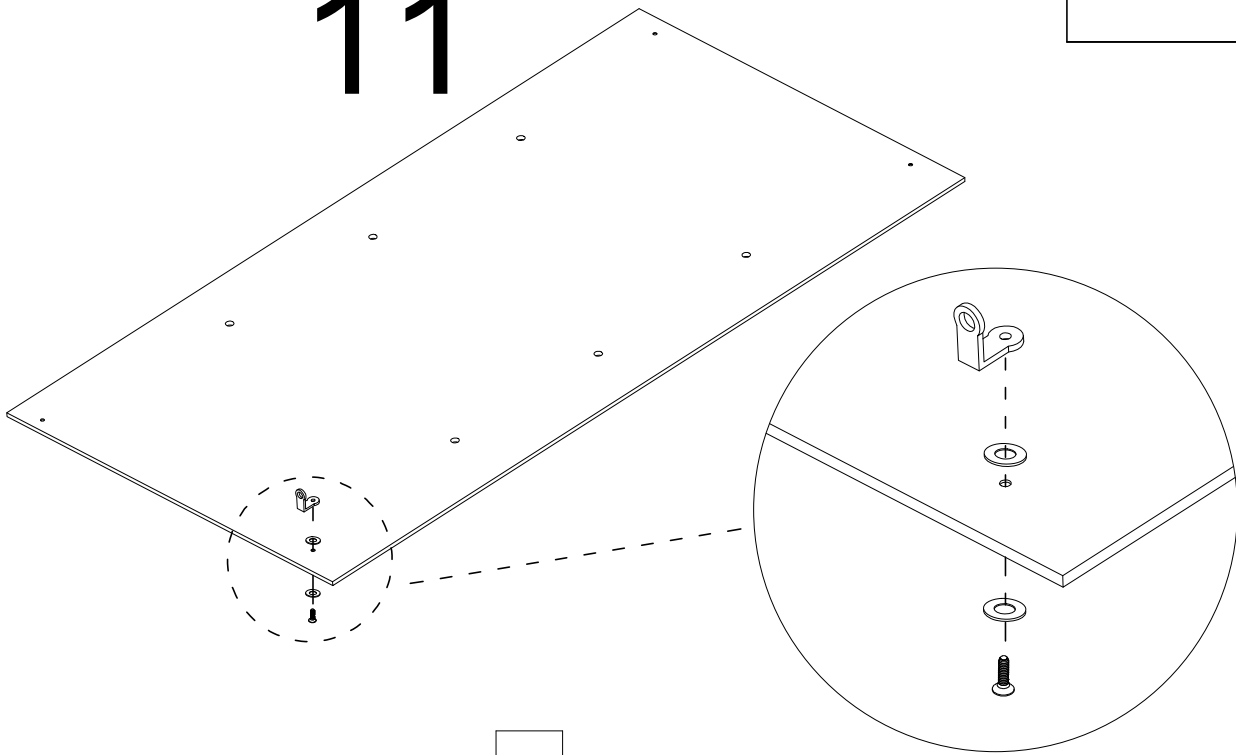
**E**



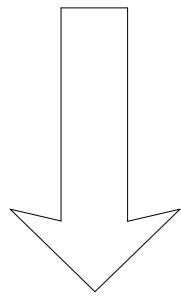
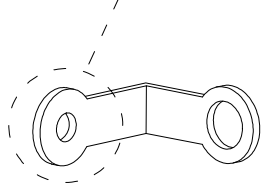
x4    x8    x4

The legend shows three items: a corner bracket (x4), a washer (x8), and a screw (x4).

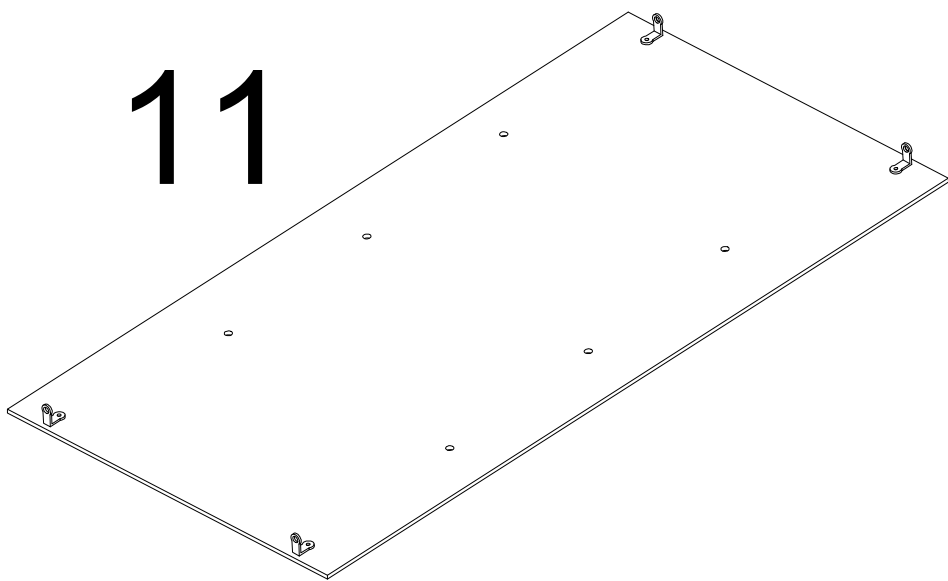
11



Install this hole



11



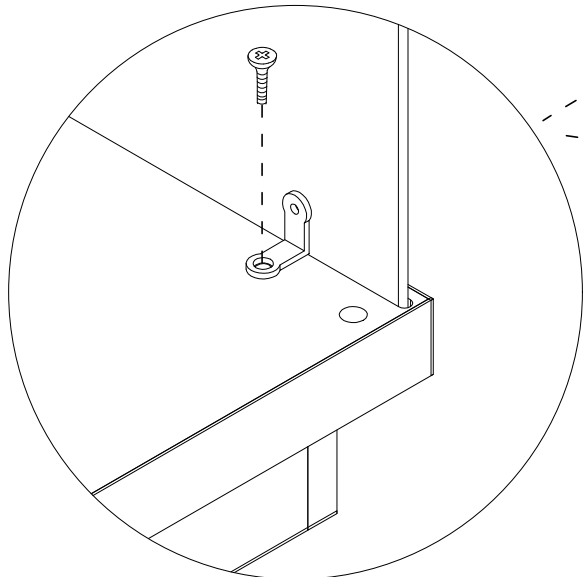
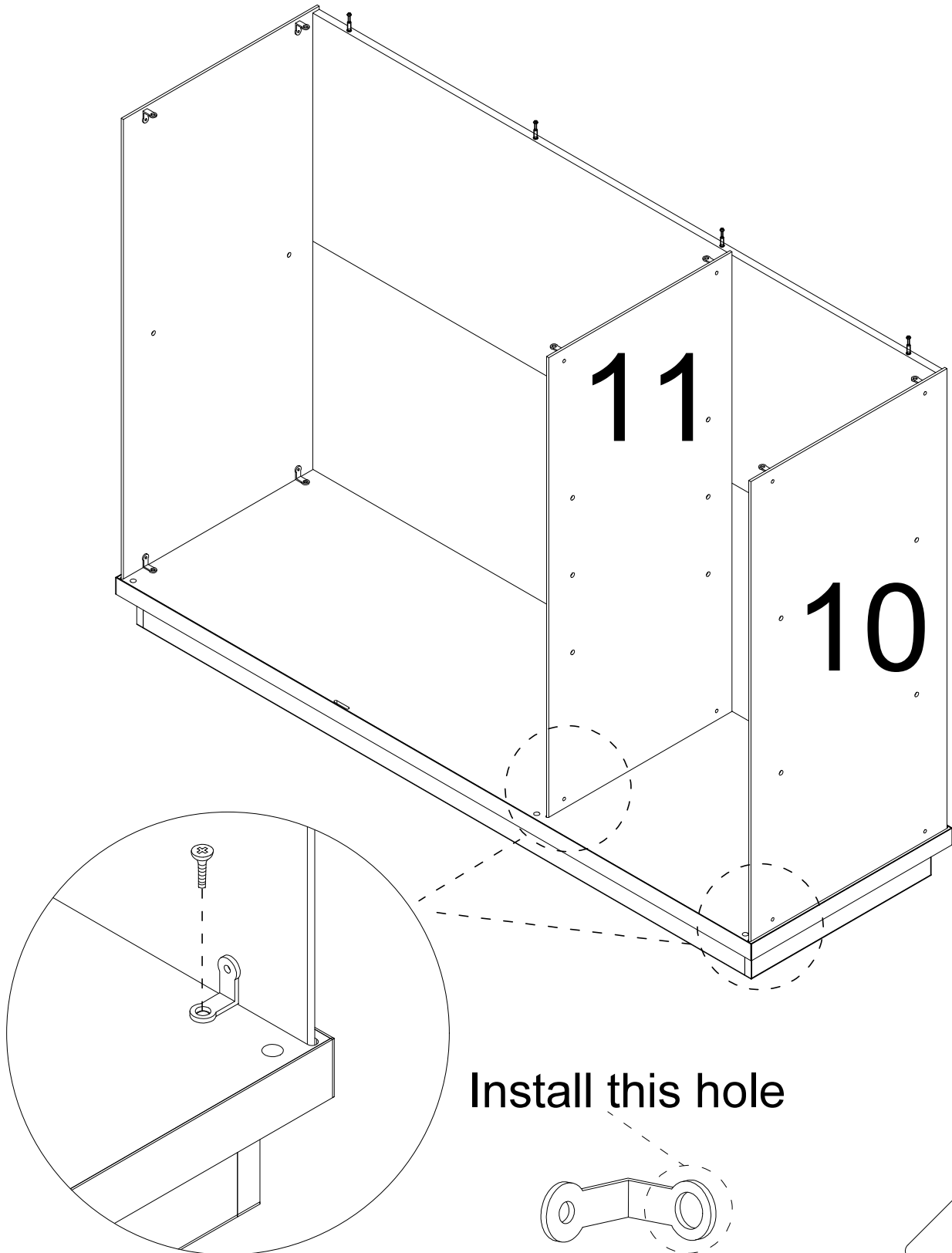
Step 15

F

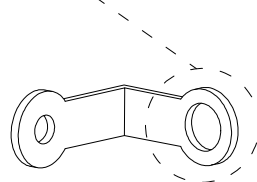


x4

It is recommended that two people work together to install the structural wood panels.

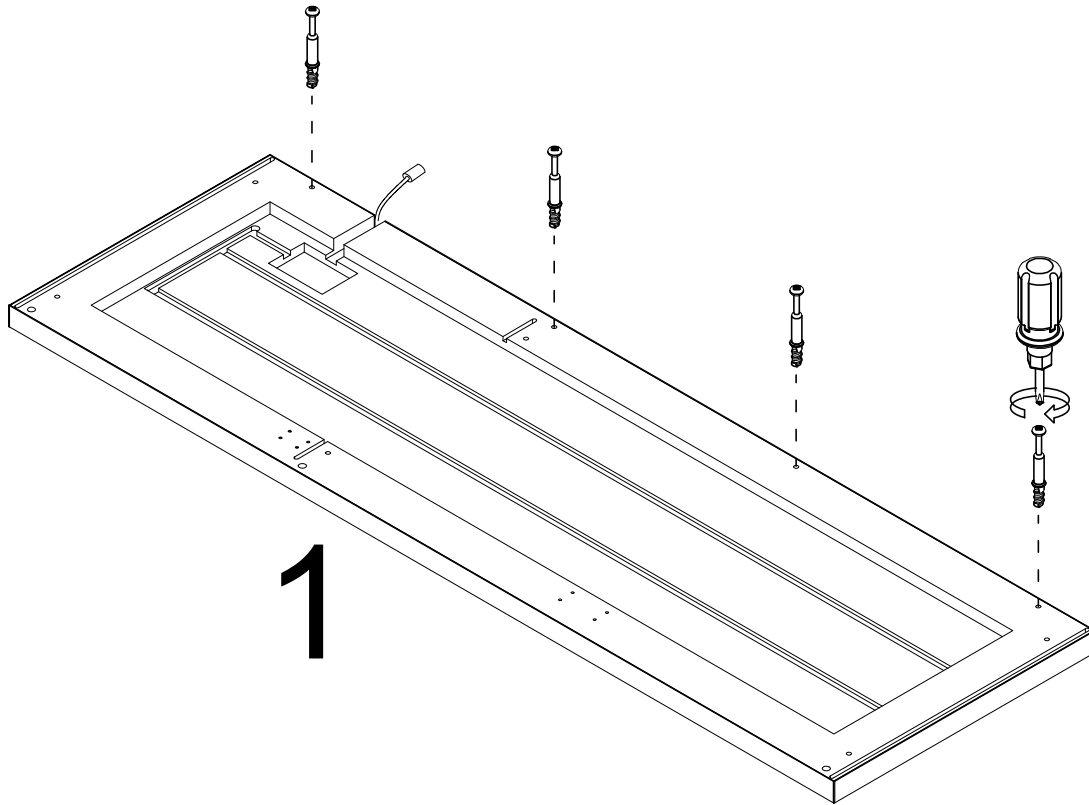
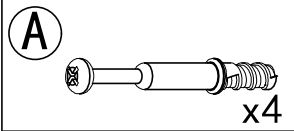


Install this hole

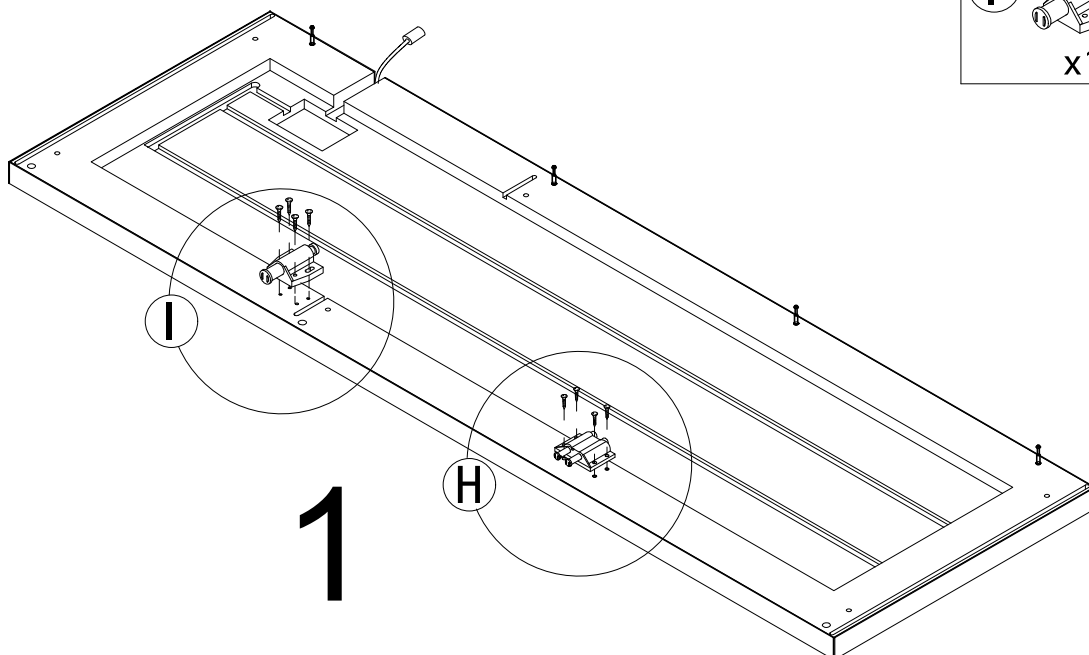
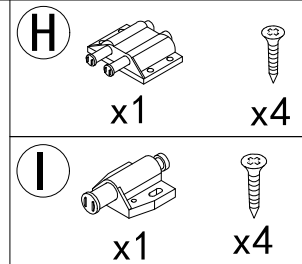


15


# Step 16

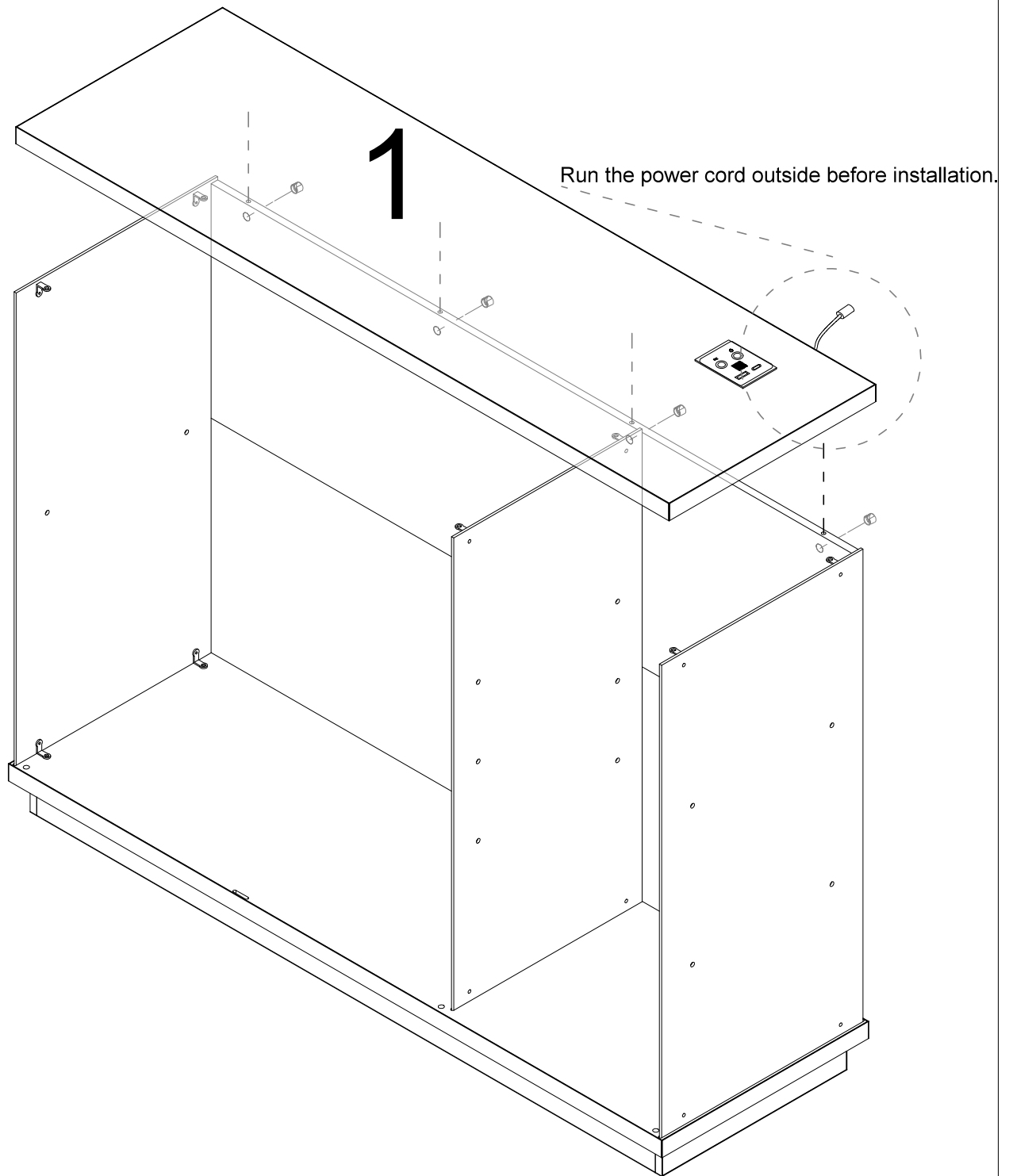


# Step 17



# Step 18

(B)  x4



It is recommended that two people work together to install the structural wood panels.

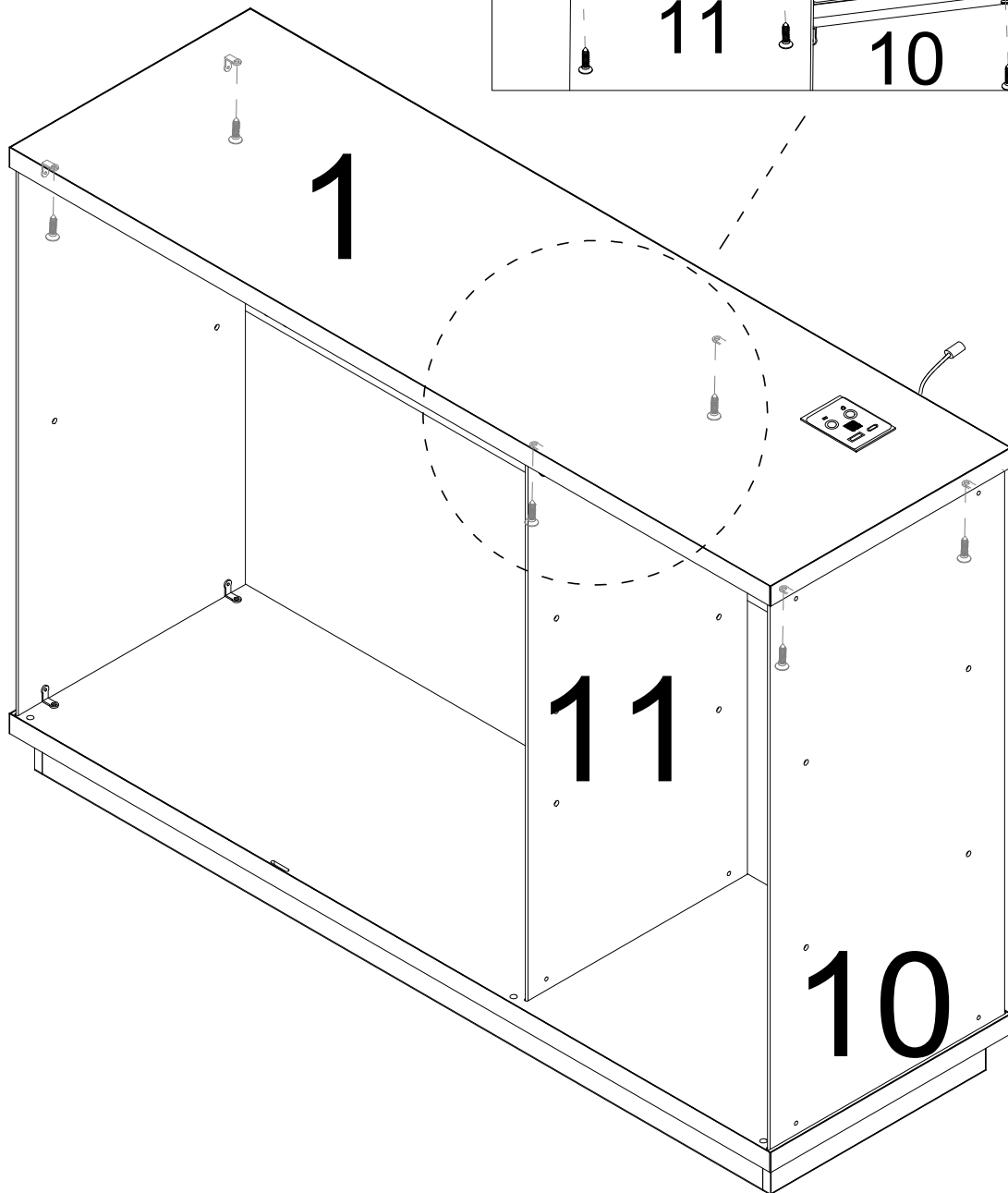
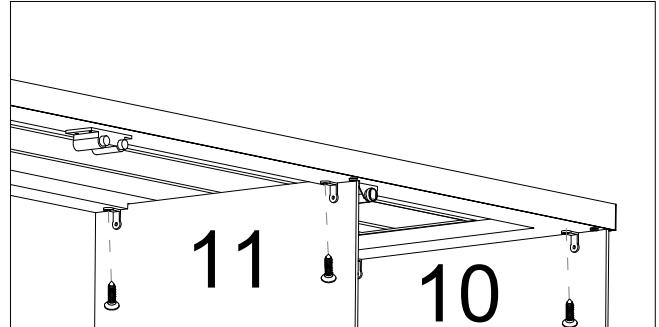
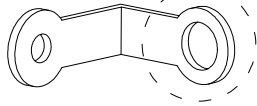
Step 19

F



x6

Install this hole



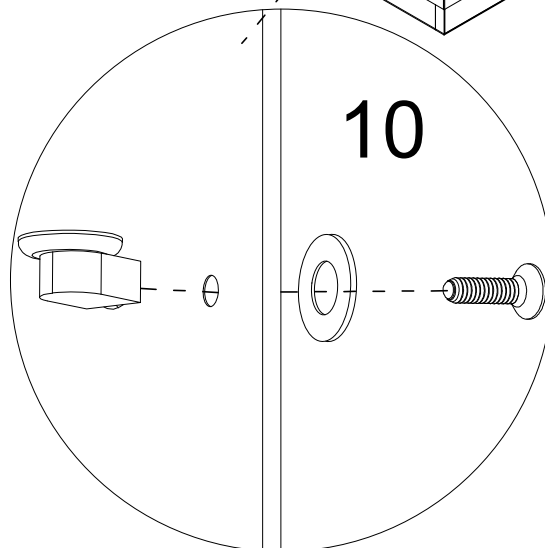
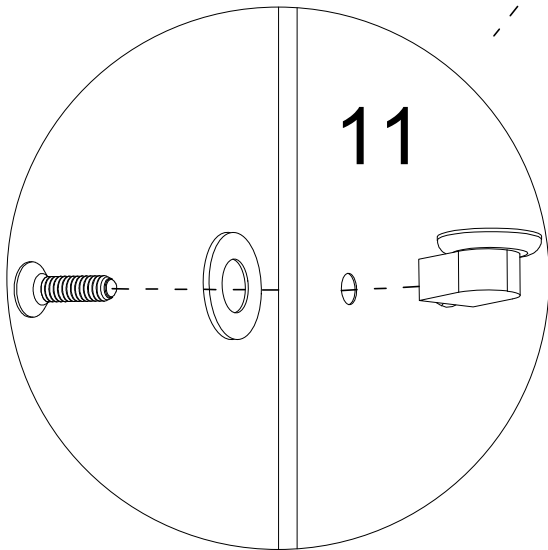
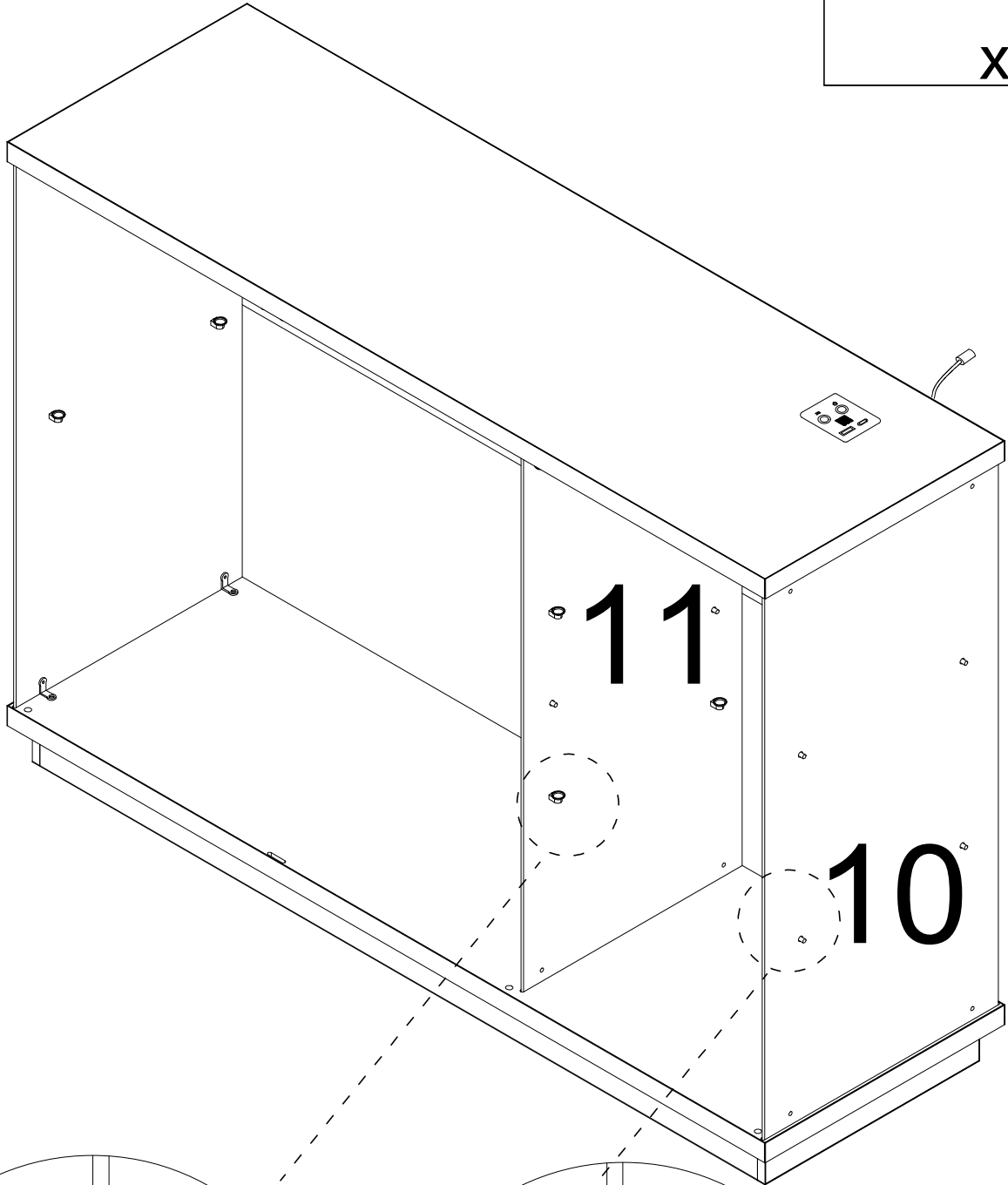
It is recommended that two people work together to install the structural wood panels.

Step 20

G

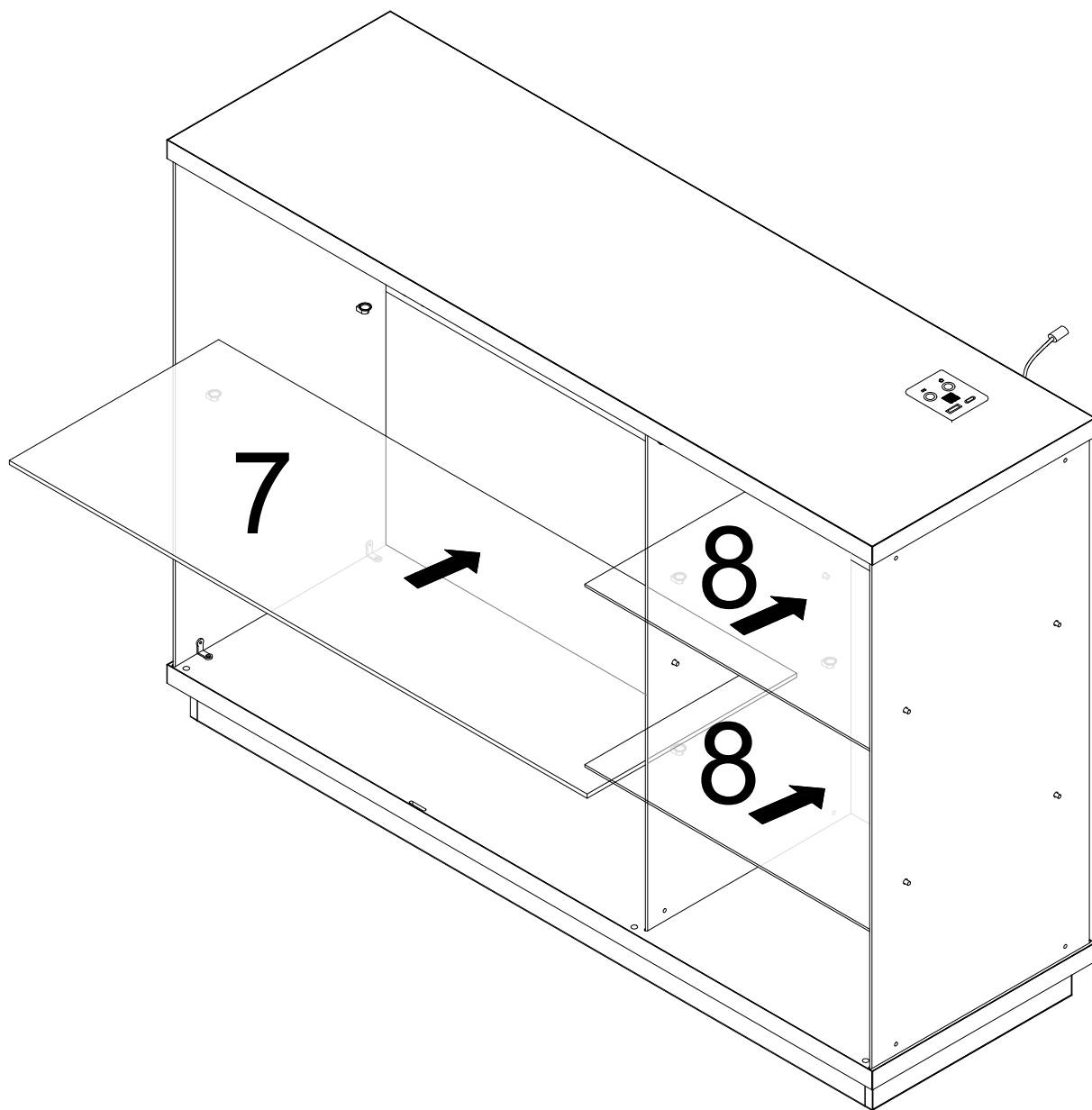


x12



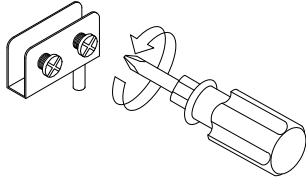
19

# Step 21

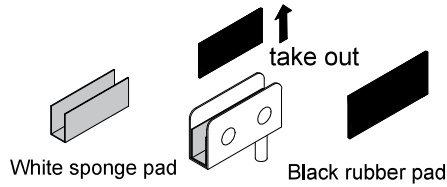


## Step 22

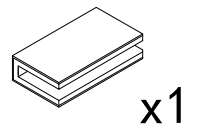
First, completely unscrew the screws on the parts



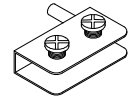
Then take out the black rubber pad from the inside of the part, and the white sponge remains unchanged inside the part.



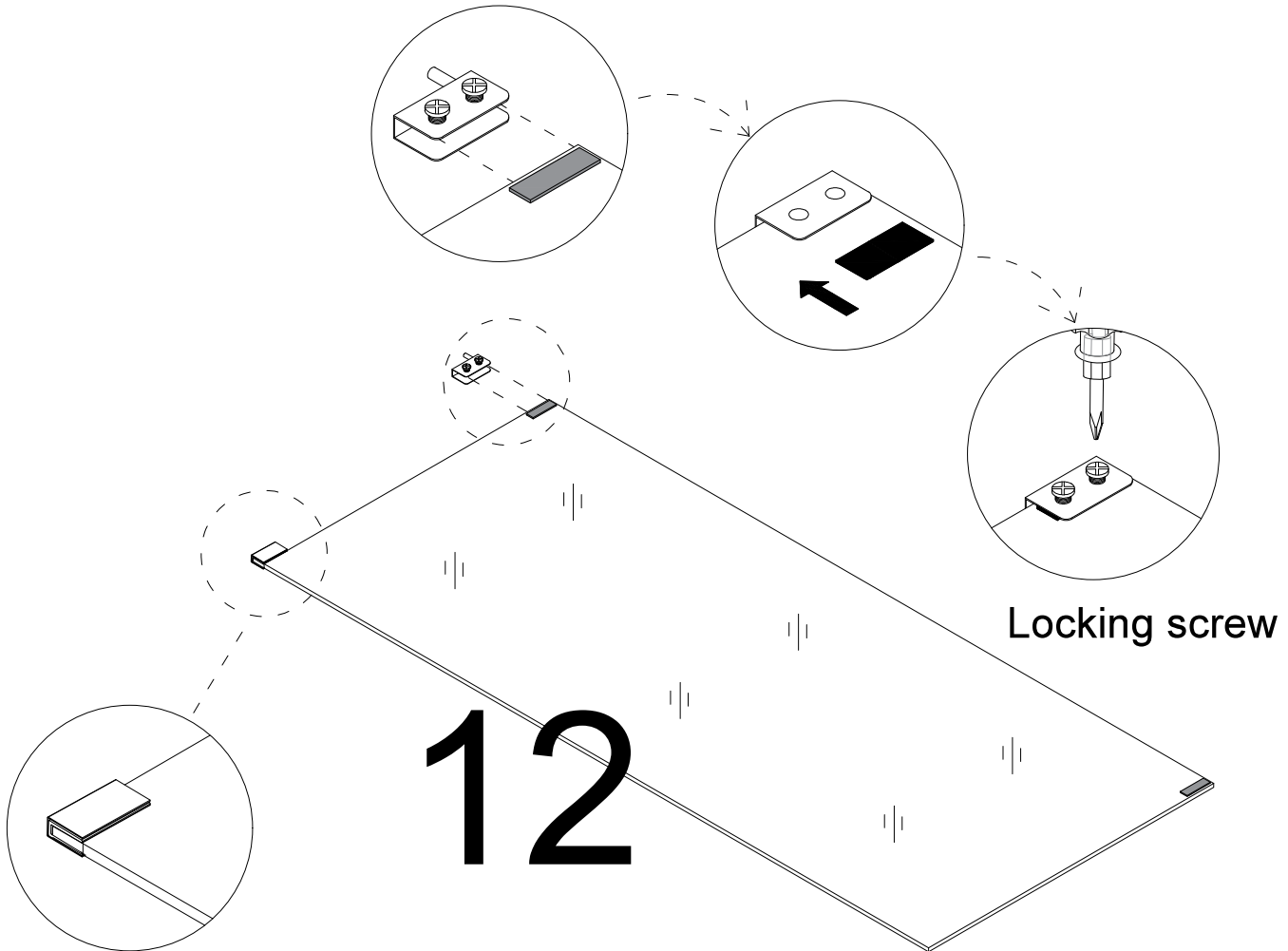
H



x1



x1



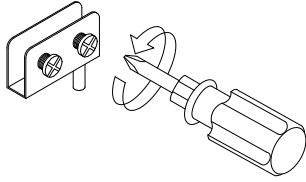
Pay attention to the direction of the door hinge, rotate the screws to compress the black gasket, and do not place it in the opposite direction

Place the black gasket on the side where the screws are installed

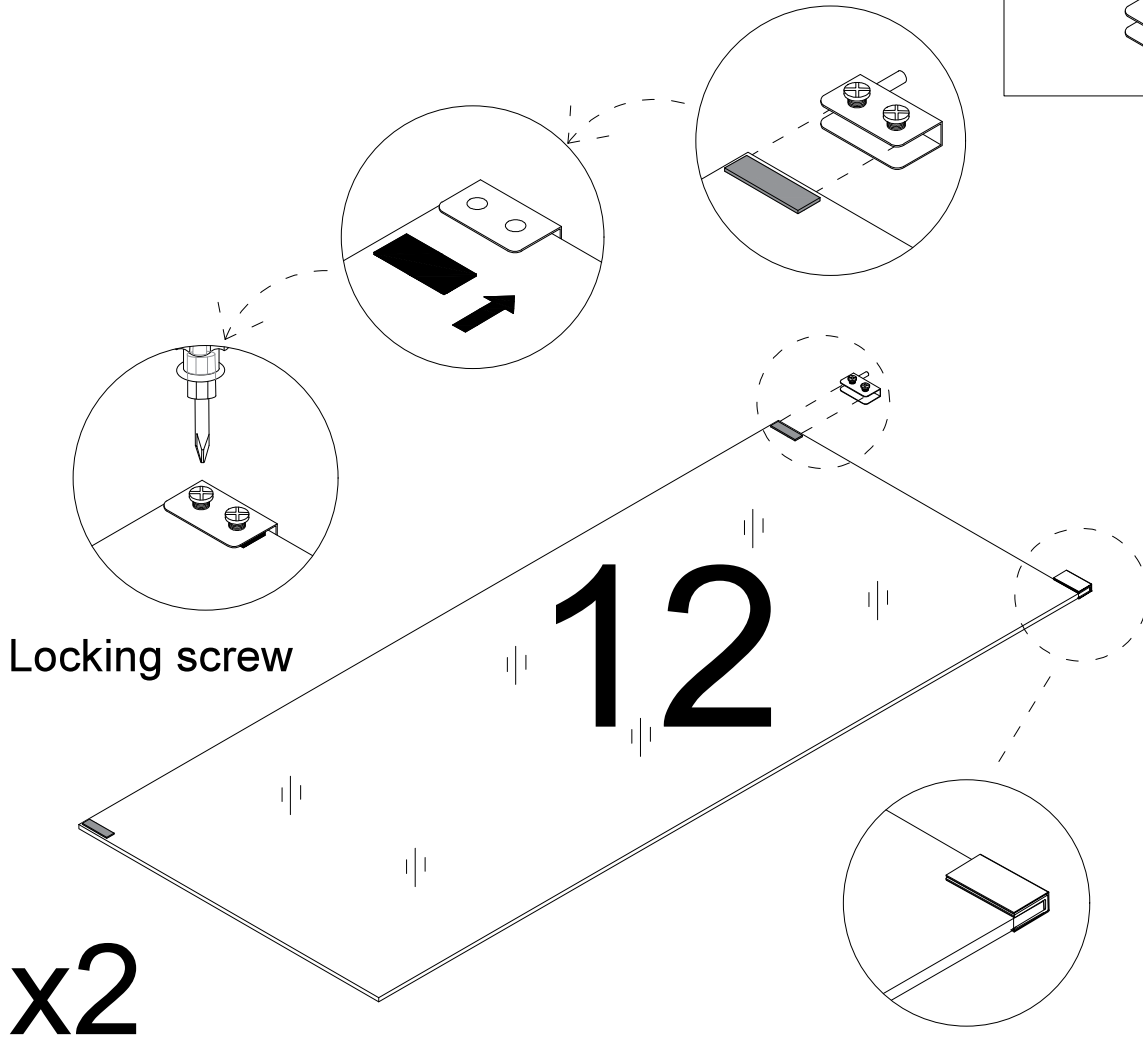
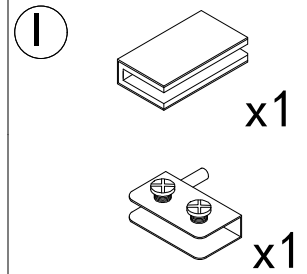
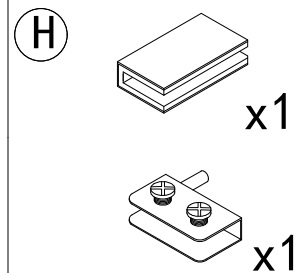
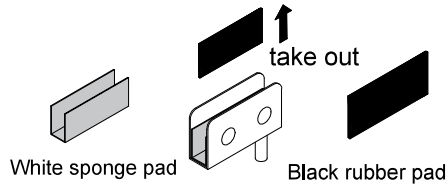
21

## Step 23

First, completely unscrew the screws on the parts



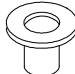
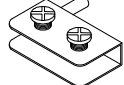
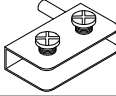
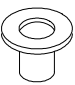
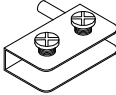
Then take out the black rubber pad from the inside of the part, and the white sponge remains unchanged inside the part.

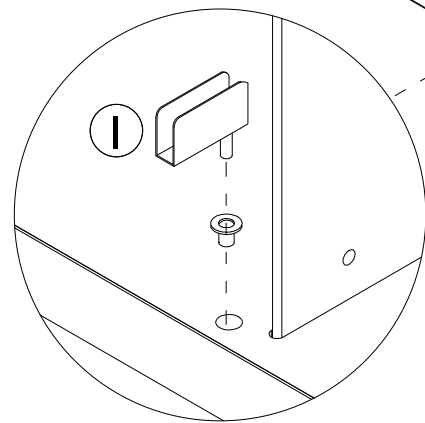
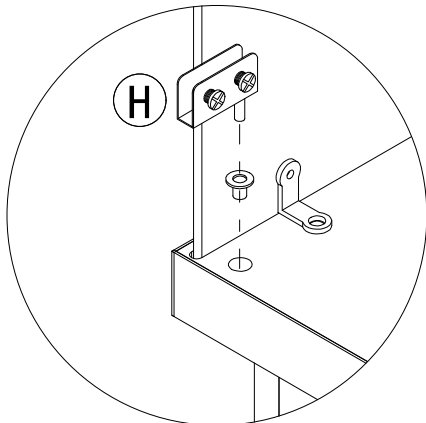
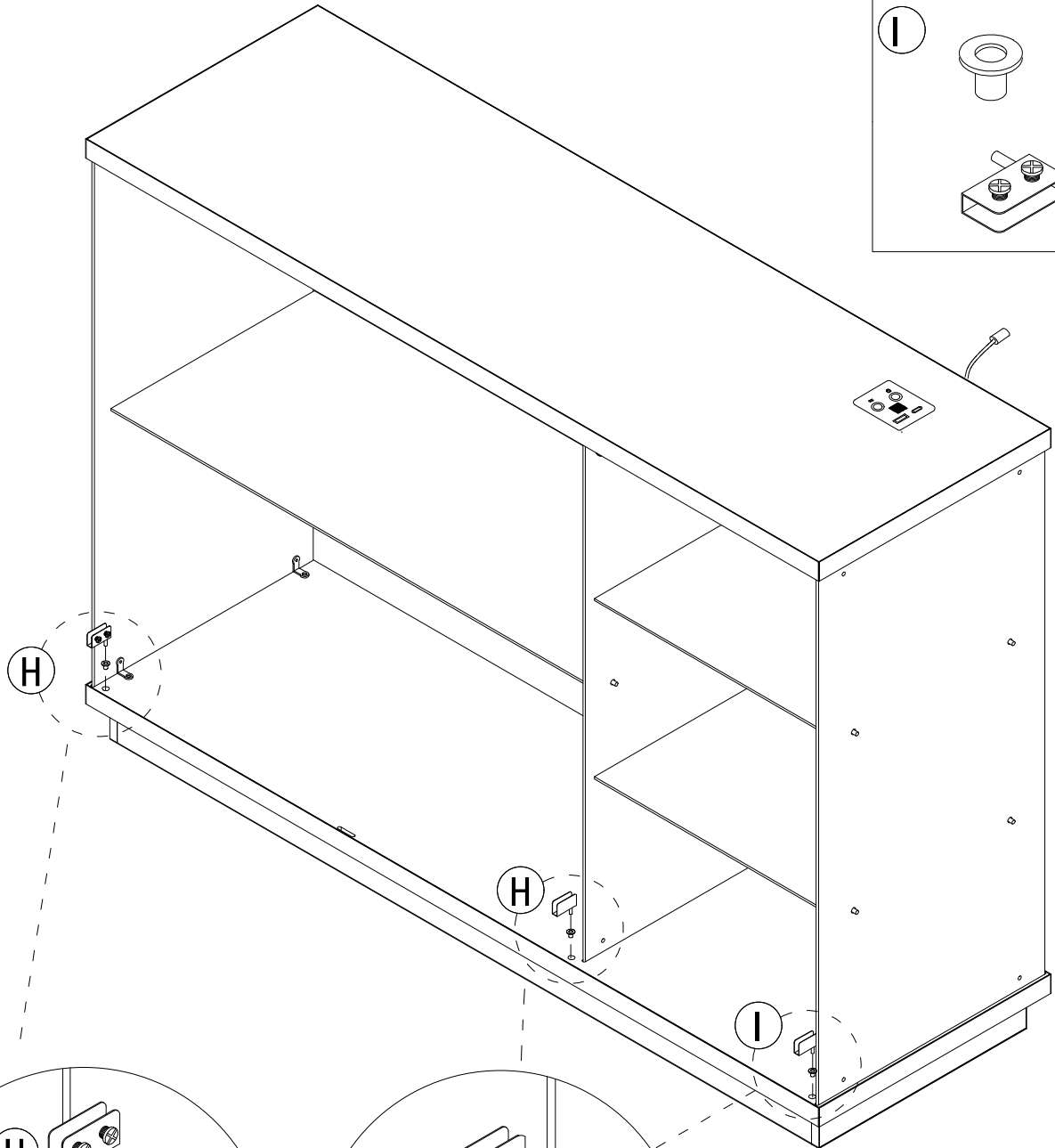


Pay attention to the direction of the door hinge, rotate the screws to compress the black gasket, and do not place it in the opposite direction

Place the black gasket on the side where the screws are installed

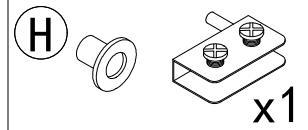
# Step 24

- H**  x2
-  x1
-  x1
- I**  x1
-  x1

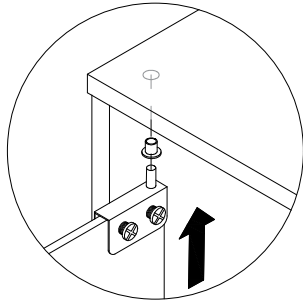


## Step 25

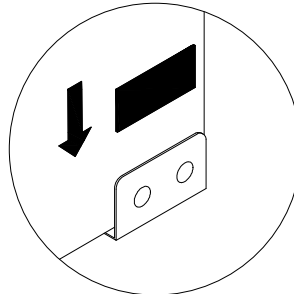
Pay attention to the direction of the door hinge during installation



When installing a glass door, it is recommended to have two people install it to avoid the glass door colliding or hitting oneself.



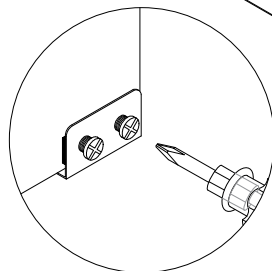
first



second

After installing the glass door, place the black gasket on the side where the screws are installed

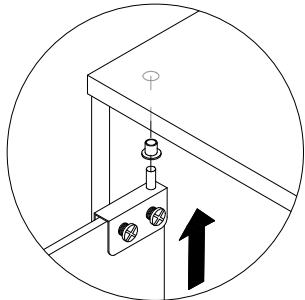
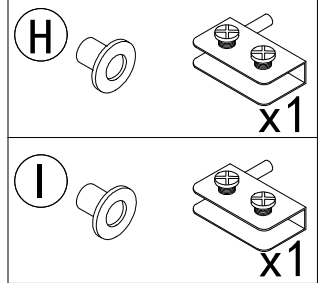
# 12



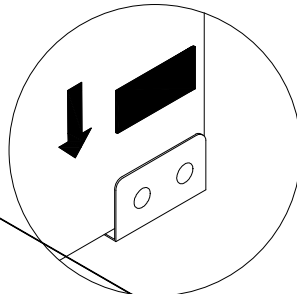
third

Locking screw

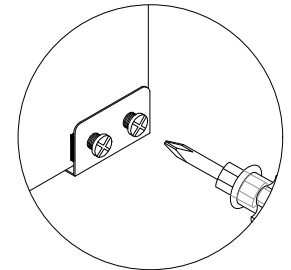
Step 26



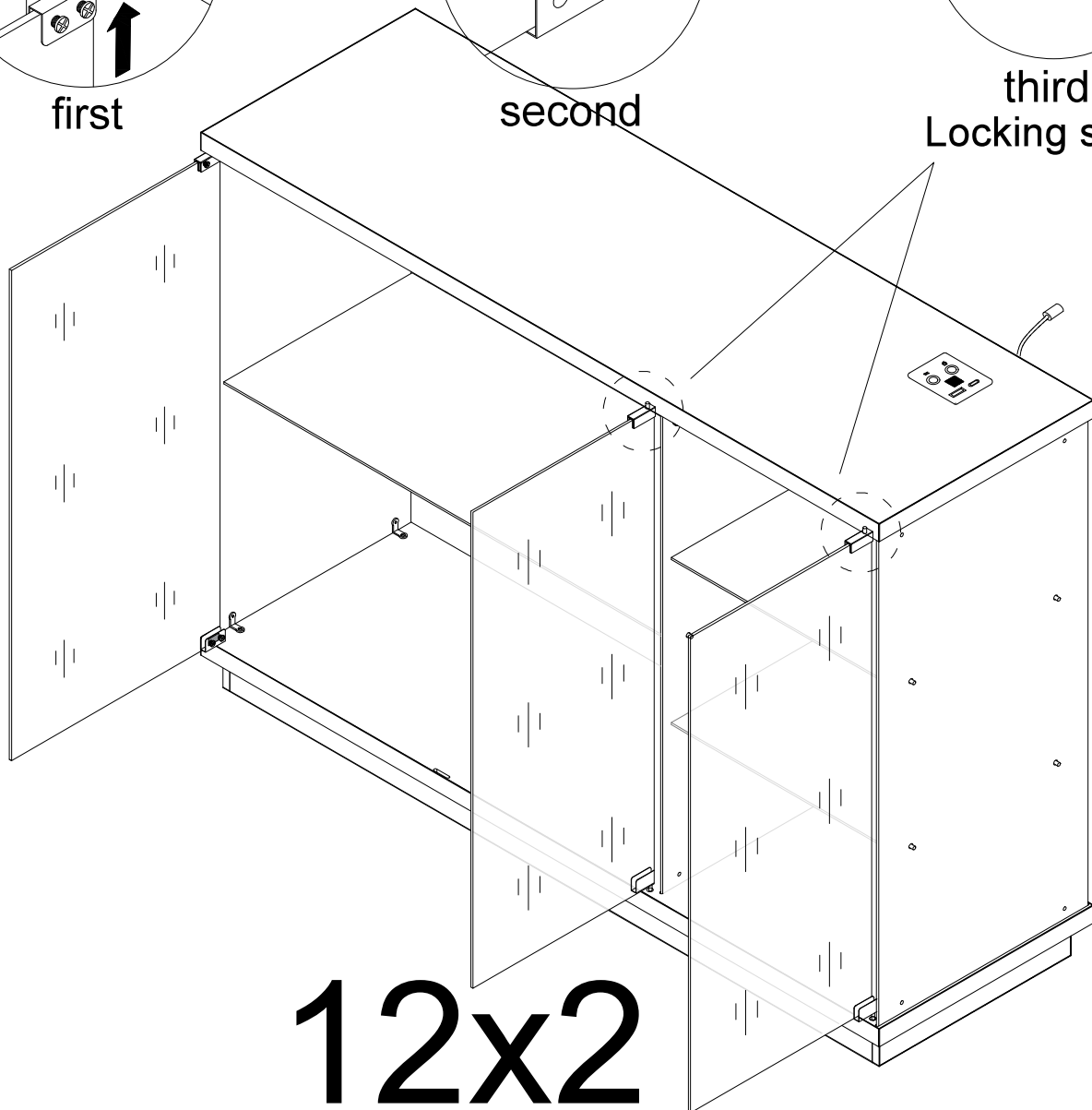
first



second

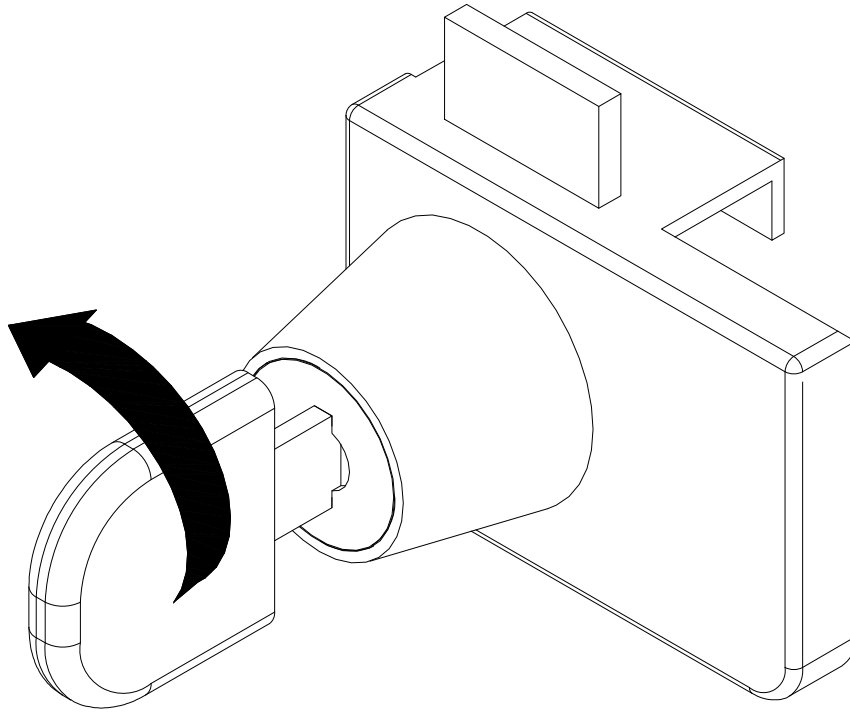


third  
Locking screw

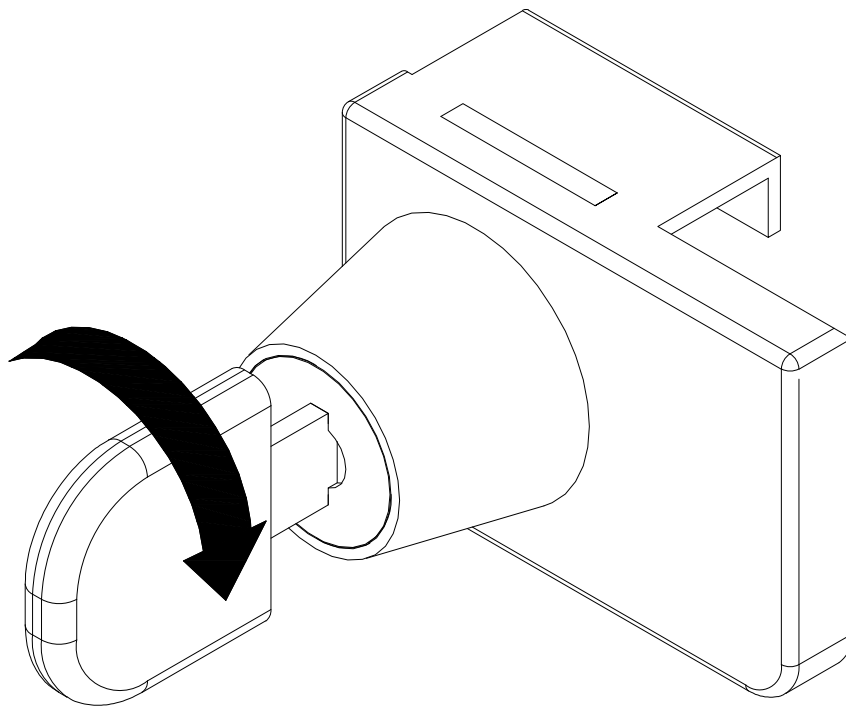


12x2

Tip: Turning the door lock to the right will close it

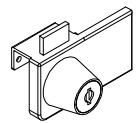


Tip: Turning the door lock to the left opens it



# Step 27

J



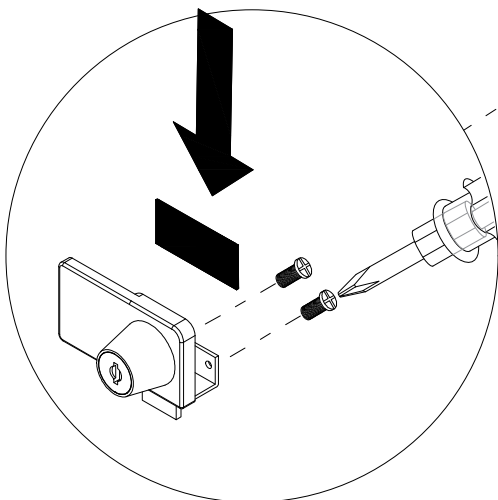
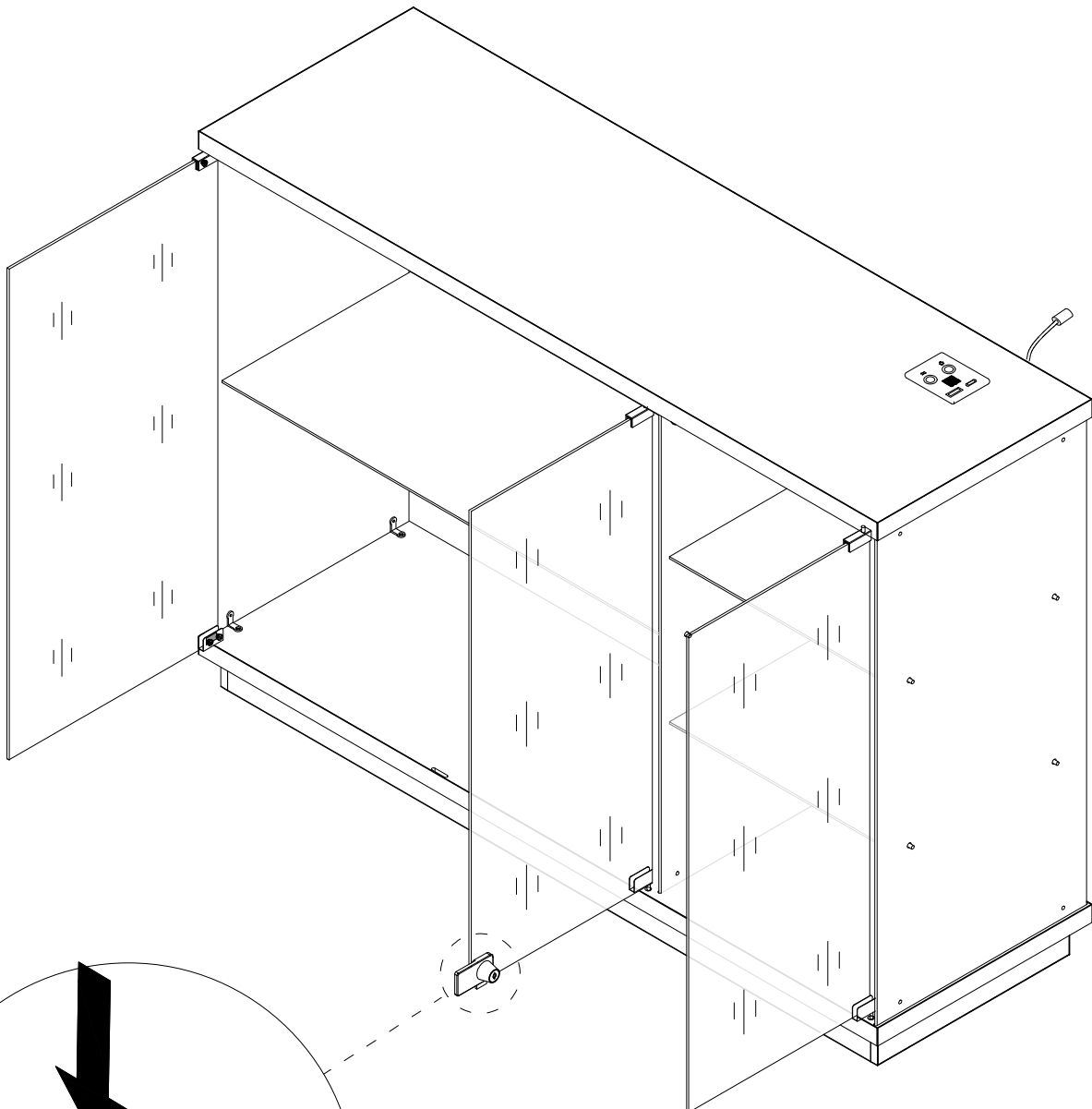
x1



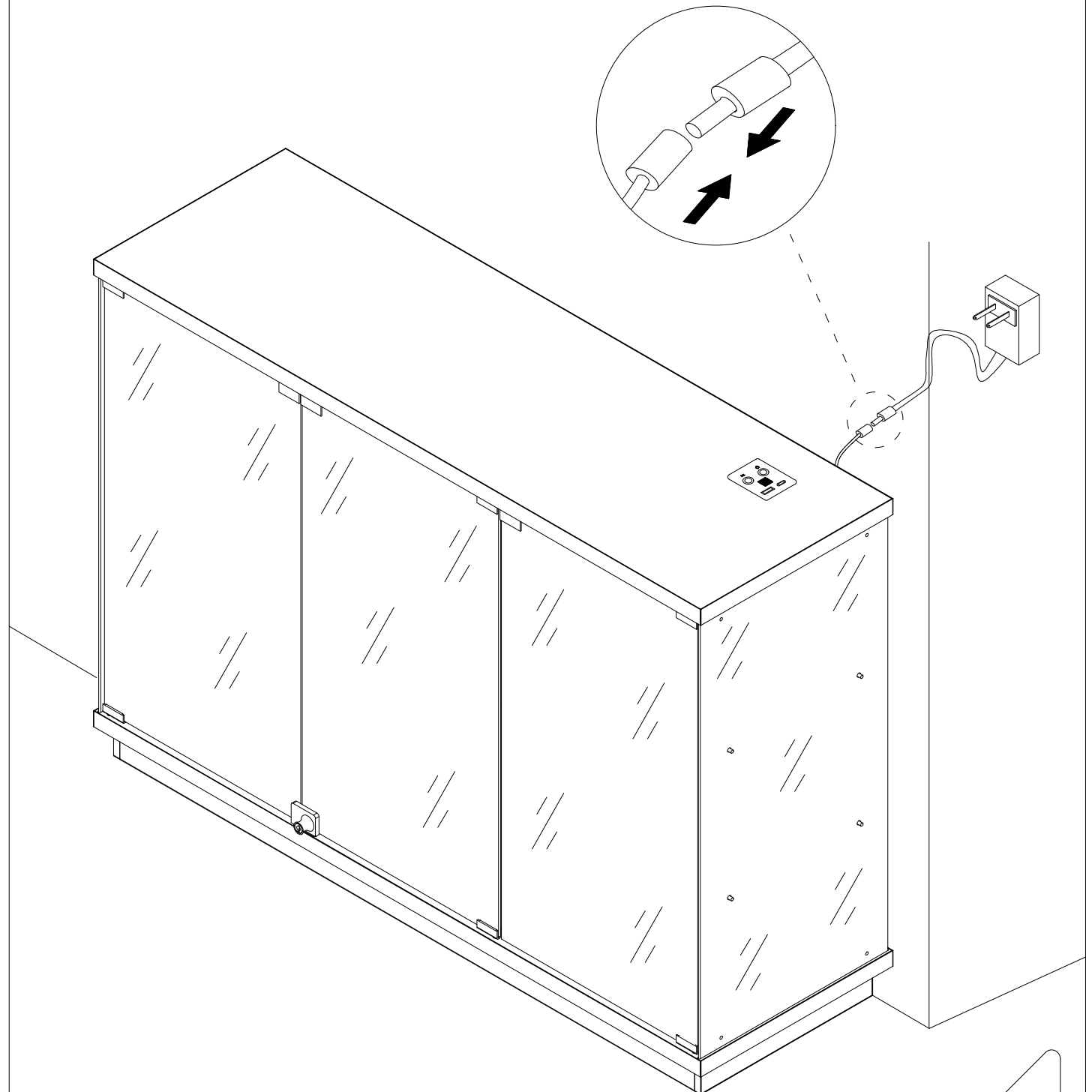
x1

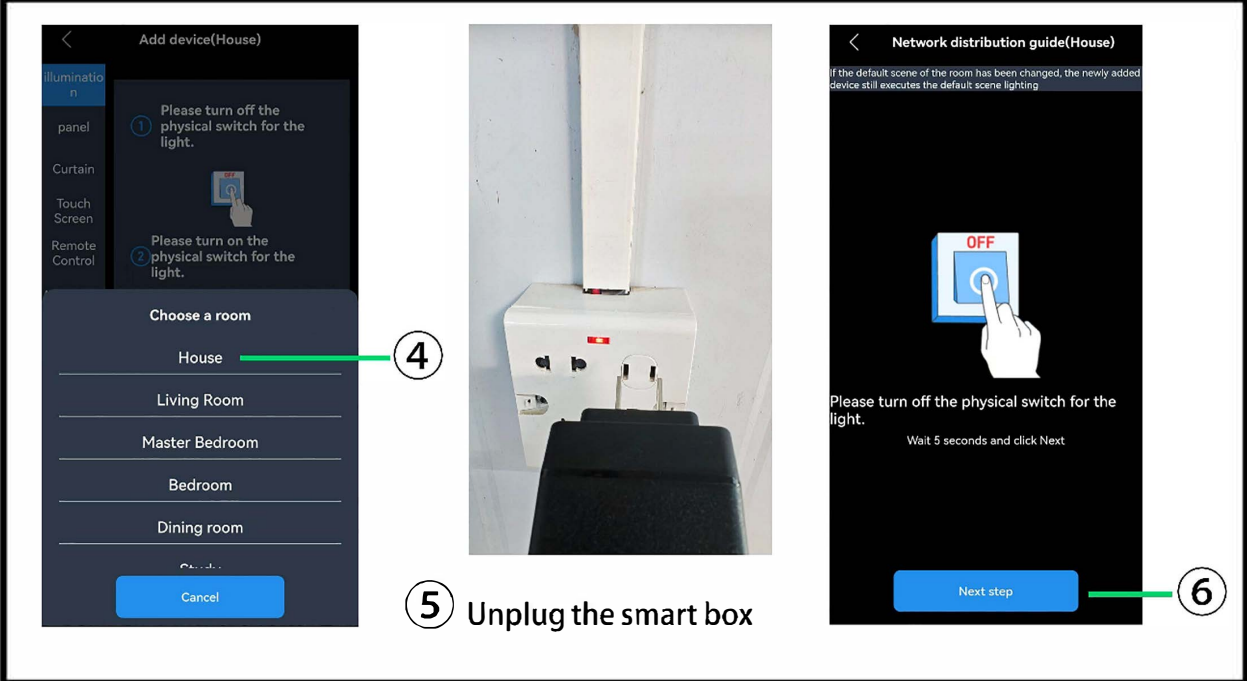
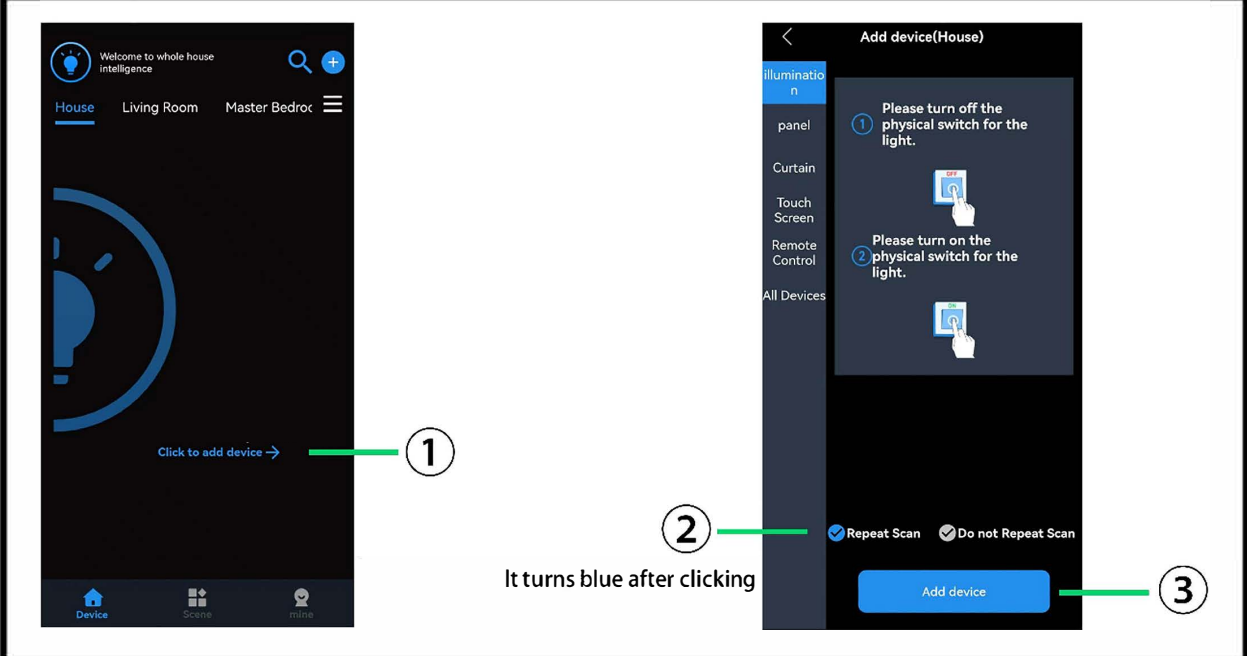
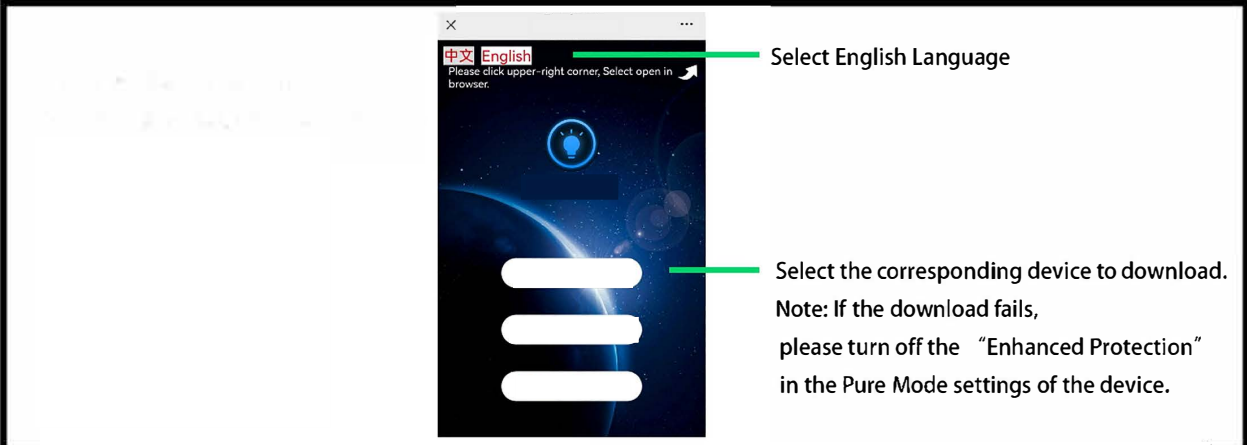


x2

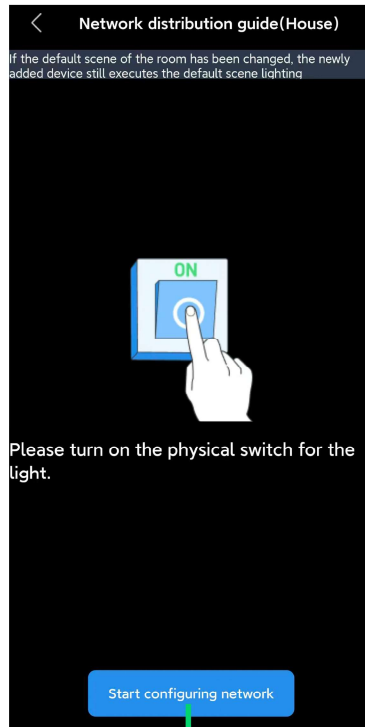


# Step 28



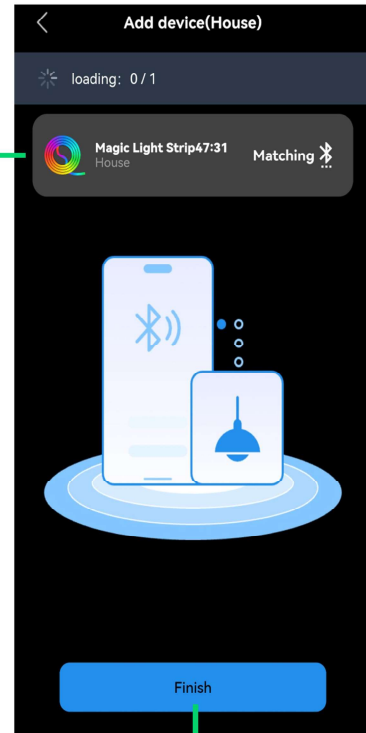


7 Plug in the smart box power plug.

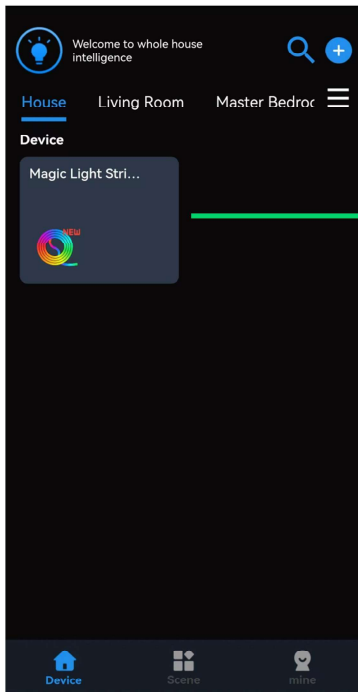


8

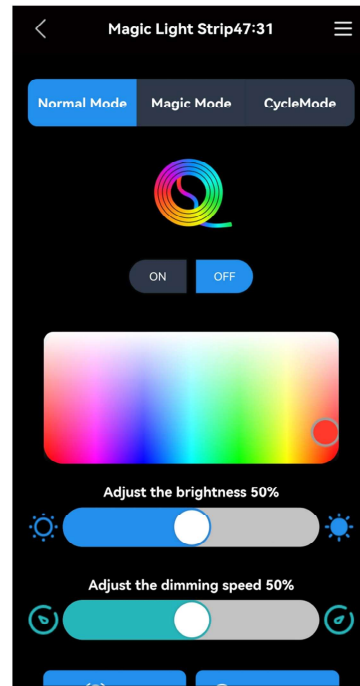
The appearance of this program icon indicates that the matching is complete



9



10



Now you can freely adjust the lighting according to your preferences



## User's Guide

Thank you for purchasing this product.

To use this product, please connect it to a power source.

Please use if the product works normally after connecting to power.

If bubbles appear on the panel, remove the protective film.

## Introduction

The box is an intelligent controller.

It has 1 USB output port 1 Type-c port, with 2 touch buttons,

it can and turn ON/OFF the induction function,

turn ON/OFF the light, adjust the light luminance, and change light colors.

The lights can be controlled through both the touch buttons and a dedicated app.

## Operation



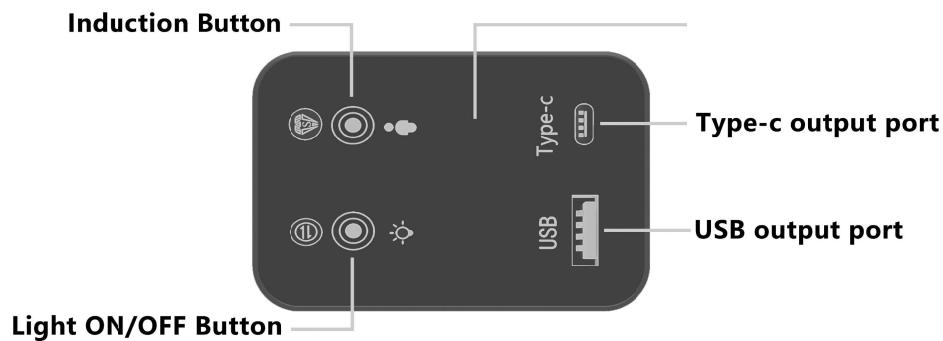
This touch button is used to turn the light on/off, adjust brightness, and switch the color of the lights.

- i. Single Click: Turn the light on/off.
- ii. Quick Double-Click: Switch between 7 static RGB colors.
- iii. Long Press (2+ seconds): Adjust the light luminance.



This touch button is used to switch dynamic phantom colors and turn ON/OFF the induction function.

- i. Single Click: Switch to Phantom Mode, with 5 magical color transformations available.
  - ii. Human Body Sensing Control: Long Press (3+ seconds): Turn on The key press indicator light is on.)  
Long Press (3+ seconds): Turn off (The key press indicator light is off.)
- By default, the human body sensing is enabled upon initial power-on, and the indicator light is on.



## ⚠ ATTENTION PLEASE

1. If there is no touch response suddenly, Re-plug the power to reset the touch static electricity.
2. If you have any questions when installing, please feel free to contact us. Thank you.