

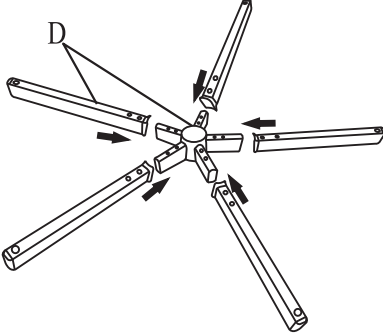
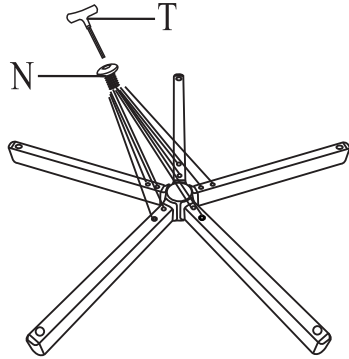
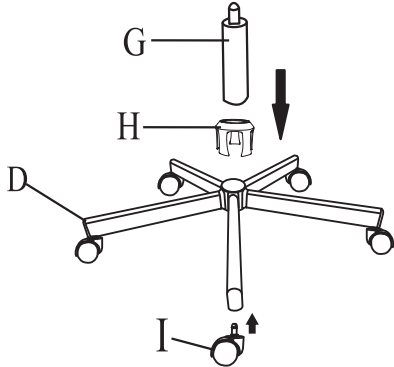
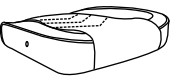



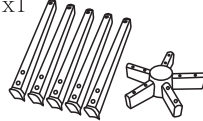
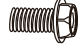
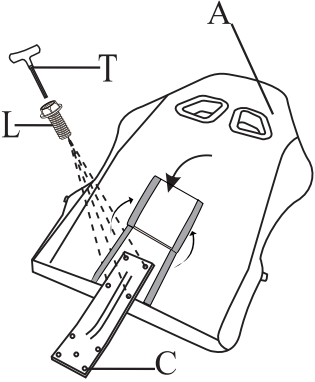
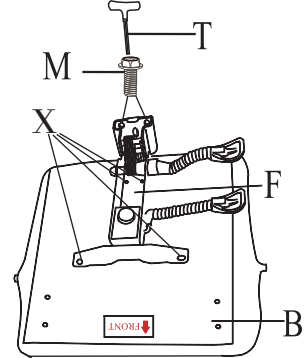
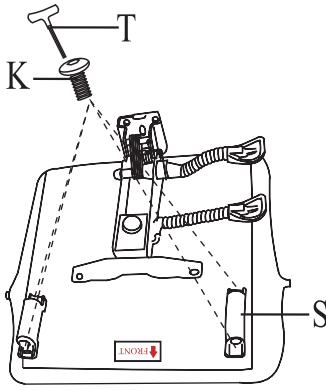


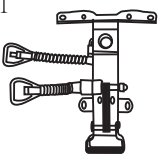


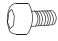
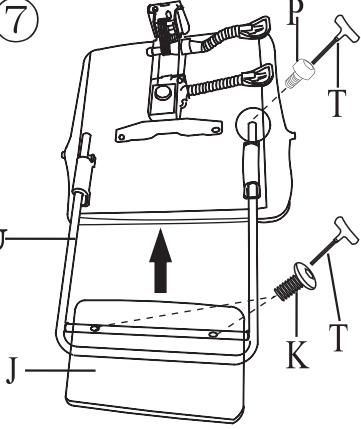
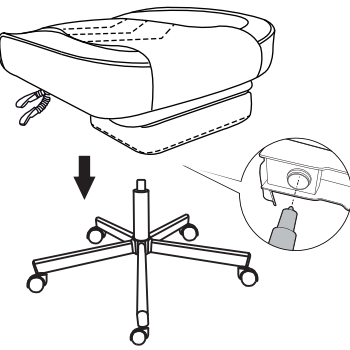
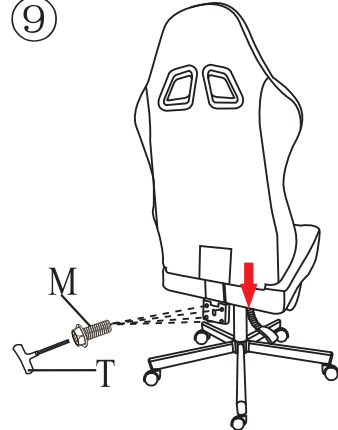

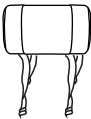



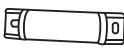
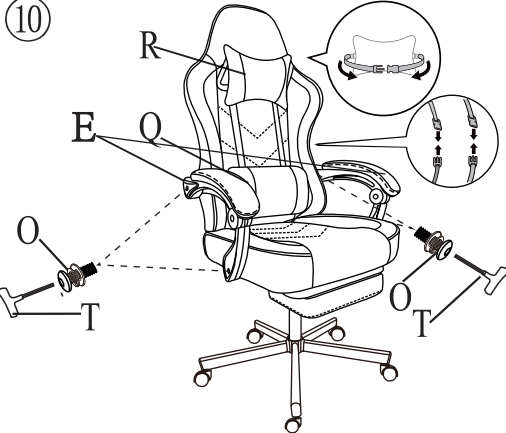
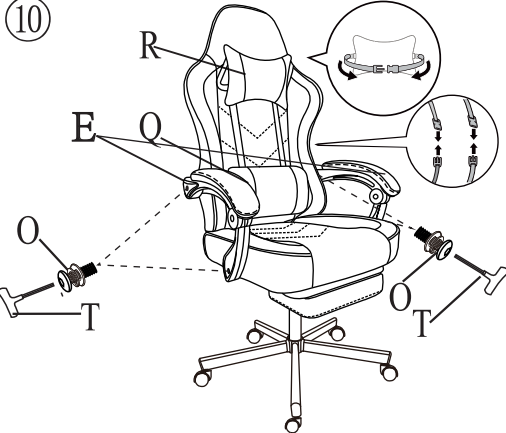
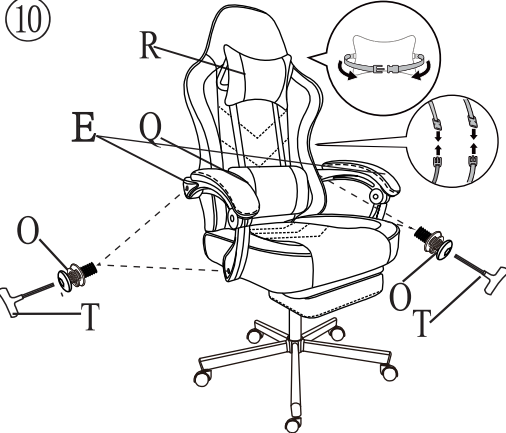



ASSEMBLE INSTRUCTION

(A)x1 	(J)x1 	① 	② 	③ 
(B)x1 	(K)x6 M6*25 			
(C)x1 	(L)x4 M8*25 			
(D)x1 	(M)x4 M8*20 	④ 	⑤ 	⑥ 
(E)x1 	(N)x10 M6*10 			
(F)x1 	(O)x4 M8*35 			
(G)x1 	(P)x1 M5*10 	⑦ 	⑧ 	⑨ 
(H)x1 	(Q)x1 			
(I)x5 	(R)x1 			
(T)x1 	(S)x2 	⑩ 	⑩ 	⑩ 
(U)x1 	(V)x1 Spare Screw Pack 