

*ASSEMBLY INSTRUCTIONS
COASTER FINE FURNITURE*



Fine Furniture for every stage of life

ASSEMBLY INSTRUCTIONS

ASSEMBLY TIPS:

1. Remove hardware from box and sort by size.
2. Please check to see that all hardware and parts are present prior to start of assembly.
3. Please follow attached instructions in the same sequence as numbered to assure fast & easy assembly.



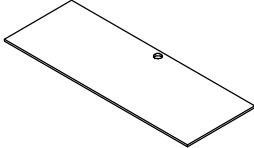
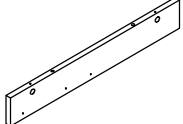
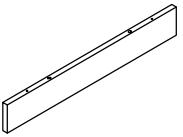
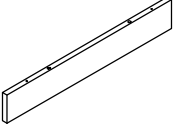
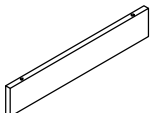
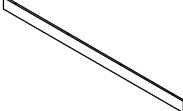
WARNING!

1. Don't attempt to repair or modify parts that are broken or defective. Please contact the store immediately.
2. This product is for home use only and not intended for commercial establishments.



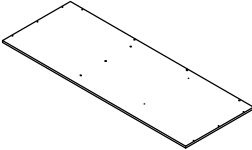
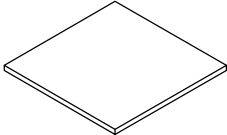
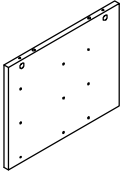
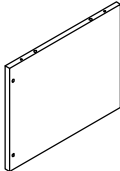
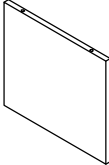
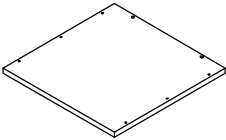
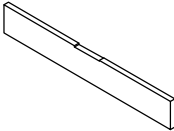

ASSEMBLY TIME 70 MINUTES

PARTS IDENTIFICATION

A	TOP BOARD		1PC
B	LEFT BOARD		1PC
C	MIDDLE BOARD		1PC
D	RIGHT BOARD		1PC
E	SMALL BOARD		1PC
F	BACK BOARD		1PC

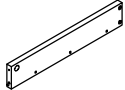
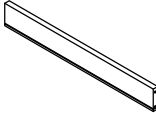
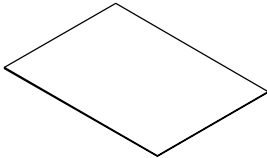
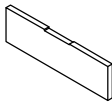
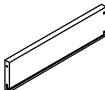
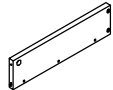
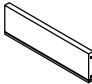
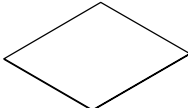
ASSEMBLY INSTRUCTIONS

PARTS IDENTIFICATION

G	BOTTOM BOARD		1PC
H	TOP BOX PANEL		1PC
I	LEFT BOX PANEL		1PC
J	RIGHT BOX PANEL		1PC
K	BACK BOX PANEL		1PC
L	BOTTOM BOX PANEL		1PC
M	LARGE DRAWER FRONT PANEL		1PC
N	LARGE DRAWER LEFT PANEL		1PC

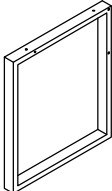
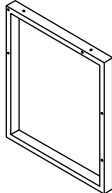
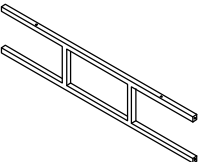
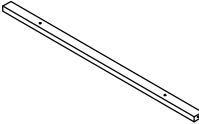


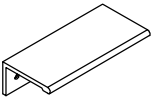
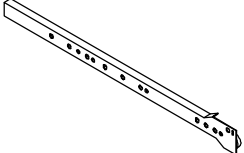
ASSEMBLY INSTRUCTIONS

PARTS IDENTIFICATION

O	LARGE DRAWER RIGHT PANEL		1PC
P	LARGE DRAWER BACK PANEL		1PC
Q	LARGE DRAWER BOTTOM PANEL		1PC
R	SMALL DRAWER FRONT PANEL		3PCS
S	SMALL DRAWER LEFT PANEL		3PCS
T	SMALL DRAWER RIGHT PANEL		3PCS
U	SMALL DRAWER BACK PANEL		3PCS
V	SMALL DRAWER BOTTOM PANEL		3PCS

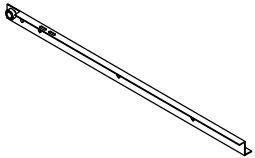
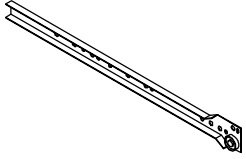
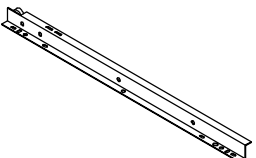
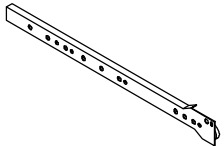
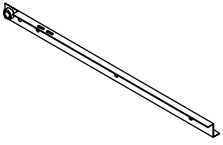
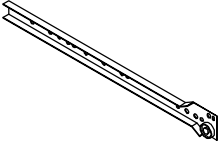
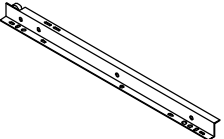
ASSEMBLY INSTRUCTIONS

PARTS IDENTIFICATION

A1	LEFT FRAME		1PC
B1	RIGHT FRAME		1PC
C1	BACK FRAME		1PC
D1	CROSSBAR		1PC
E1	ROUND CROSSBAR		1PC
F1	COVER		1PC
G1	HANDLE		4PCS
H1	LONG LEFT OUTSIDE SLIDE RAIL		1PC







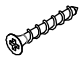


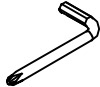



ASSEMBLY INSTRUCTIONS

PARTS IDENTIFICATION

I1	LONG LEFT INSIDE SLIDE RAIL		1PC
J1	LONG RIGHT OUTSIDE SLIDE RAIL		1PC
K1	LONG RIGHT INSIDE SLIDE RAIL		1PC
L1	SHORT LEFT OUTSIDE SLIDE RAIL		3PCS
M1	SHORT LEFT INSIDE SLIDE RAIL		3PCS
N1	SHORT RIGHT OUTSIDE SLIDE RAIL		3PCS
O1	SHORT RIGHT INSIDE SLIDE RAIL		3PCS

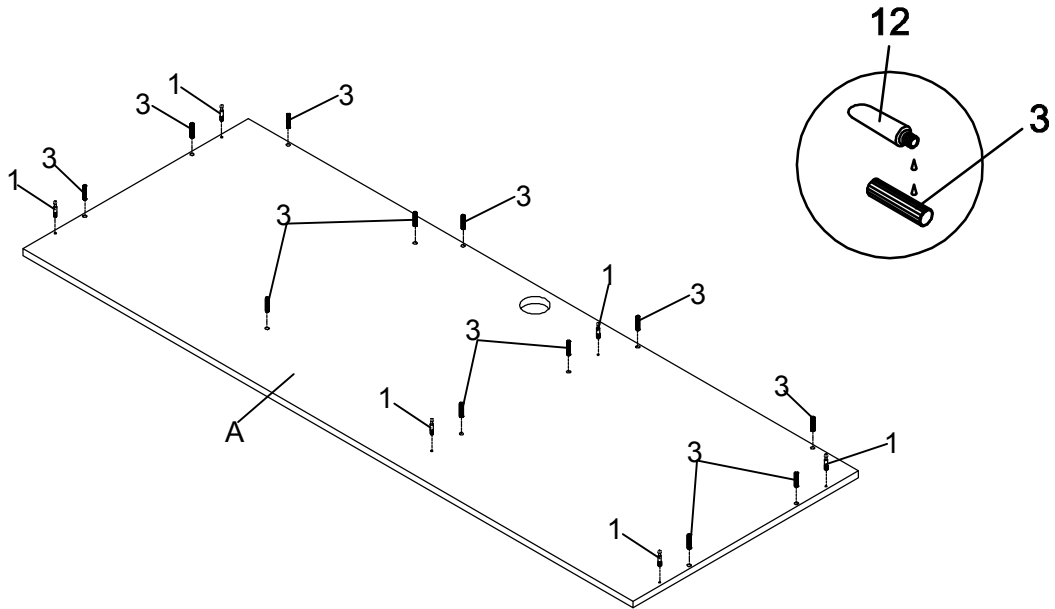
ASSEMBLY INSTRUCTIONS

HARDWARE IDENTIFICATION

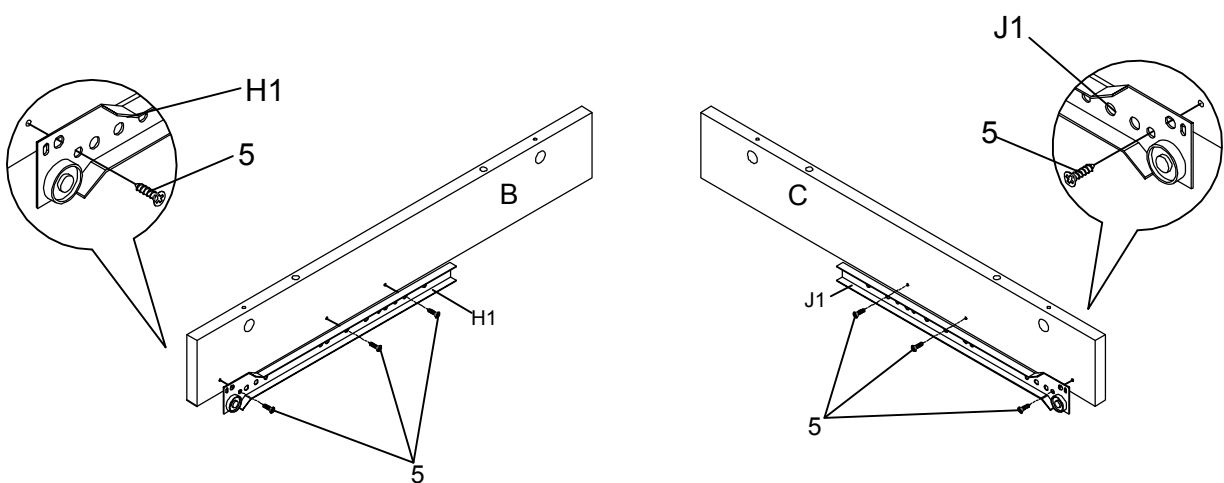
1	CAM BOLT (38mm)		18PCS	9	LED BOLT (1/4" x 38mm)		1PC
2	CAM LOCK (ϕ 15mm)		18PCS	10	LEVELER (1/4" x 17mm)		5PCS
3	WOOD DOWEL (8 x 30mm)		32PCS	11	ADHESIVE (ϕ 20mm)		2PCS
4	LONG SCREW (ϕ 8 x 38mm)		33PCS	12	GLUE		1PC
5	SHORT SCREW (ϕ 6 x 12mm)		56PCS	13	ALLEN WRENCH (4mm)		1PC
6	SHORT BOLT (1/4" x 25mm SR)		2PCS				
7	MEDIUM BOLT (1/4" x 35mm SR)		8PCS				
8	LONG BOLT (1/4" x 75mm SR)		6PCS				

ASSEMBLY INSTRUCTIONS

STEP 1

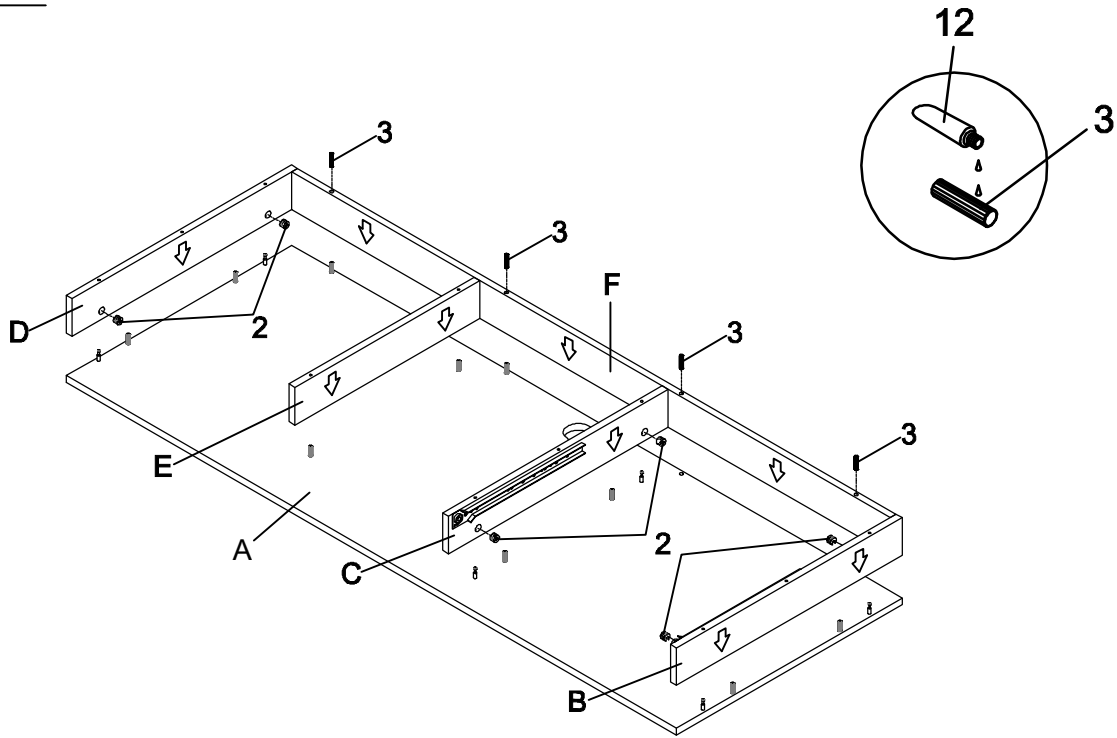


STEP 2

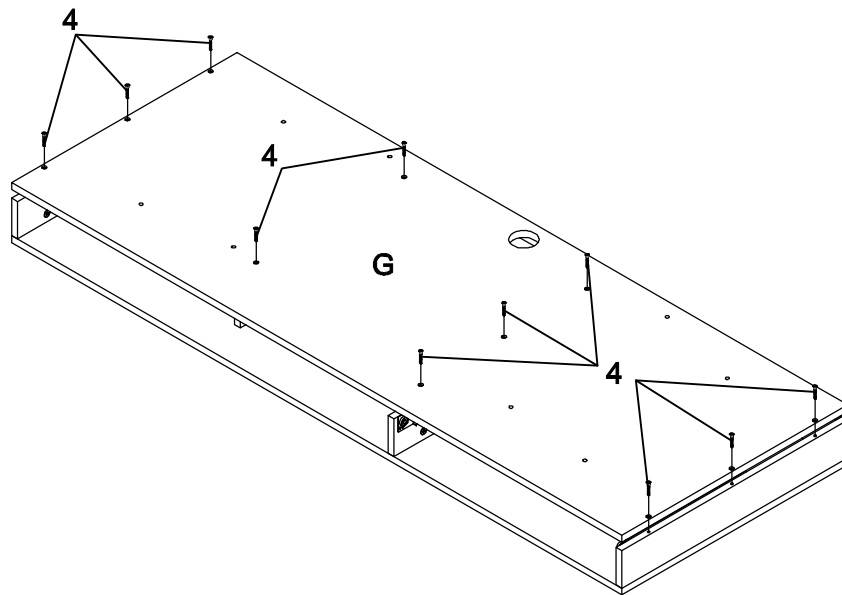


ASSEMBLY INSTRUCTIONS

STEP 3

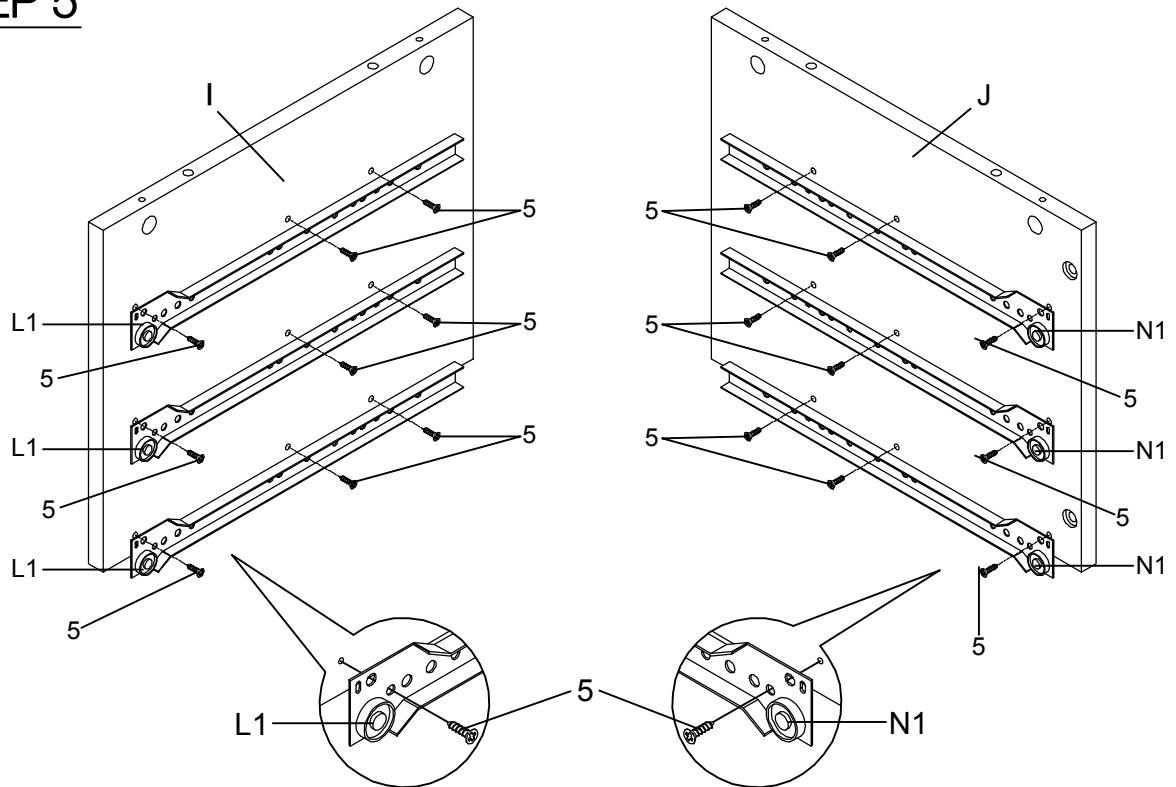


STEP 4

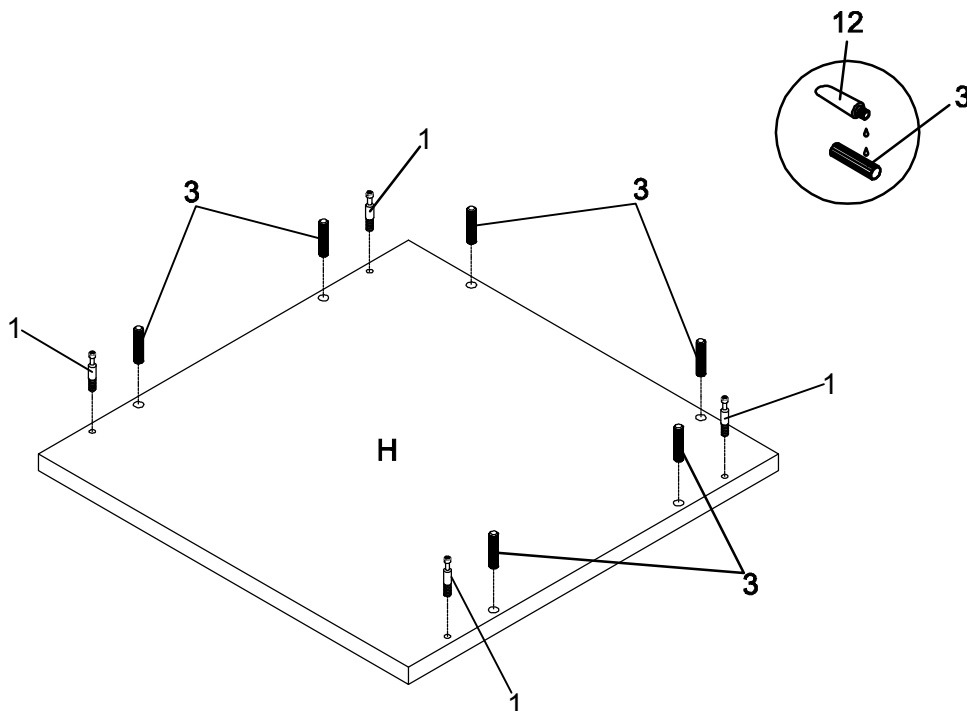


ASSEMBLY INSTRUCTIONS

STEP 5

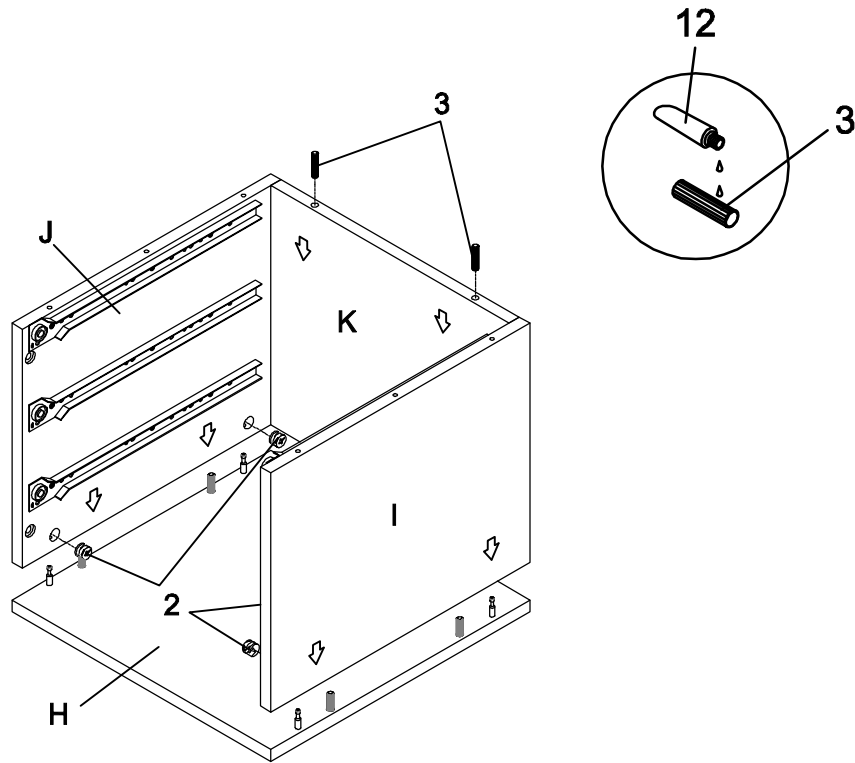


STEP 6

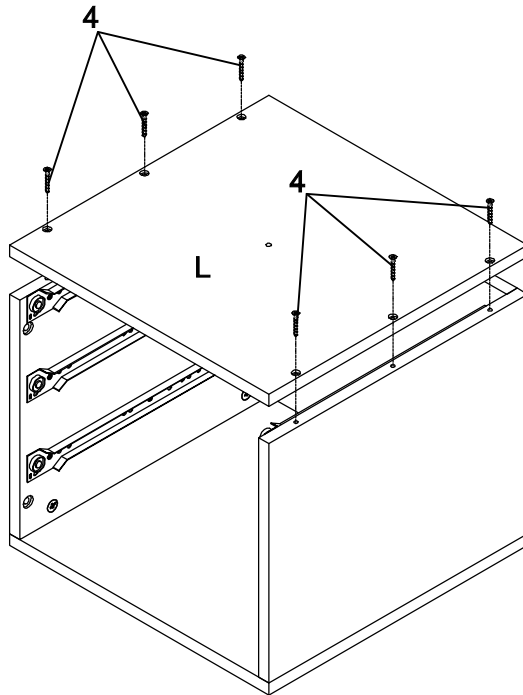


ASSEMBLY INSTRUCTIONS

STEP 7

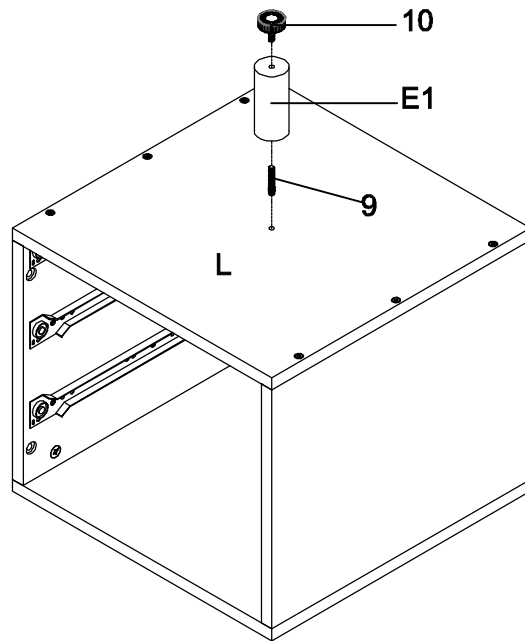


STEP 8

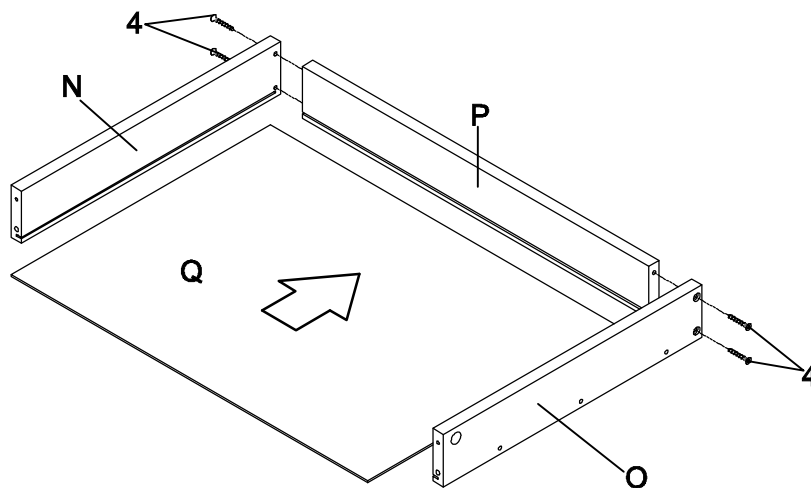


ASSEMBLY INSTRUCTIONS

STEP 9

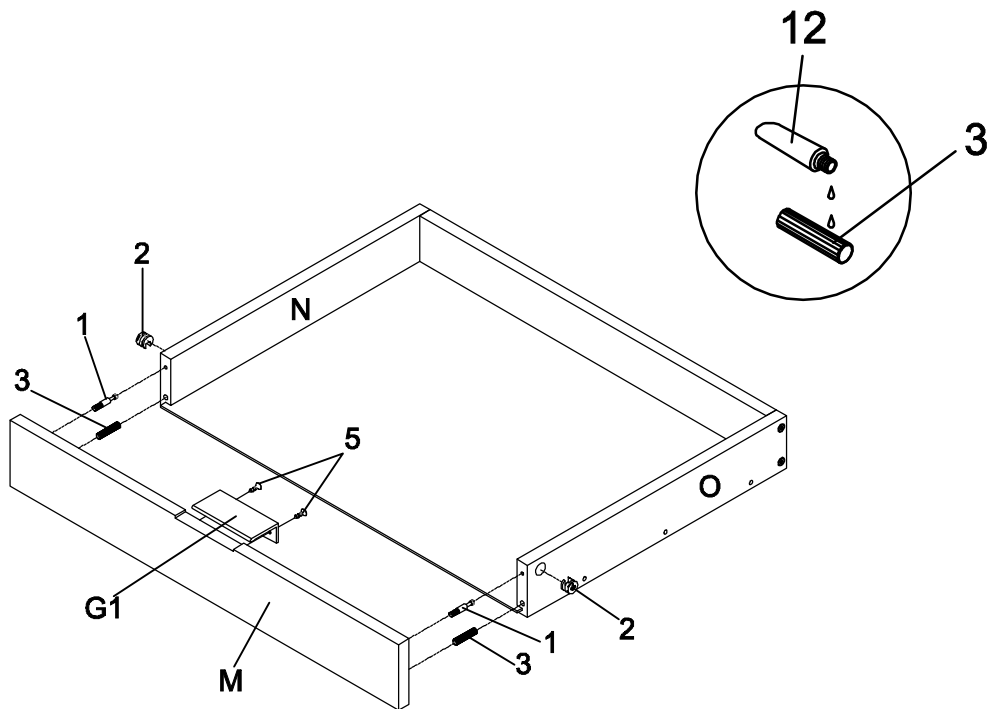


STEP 10

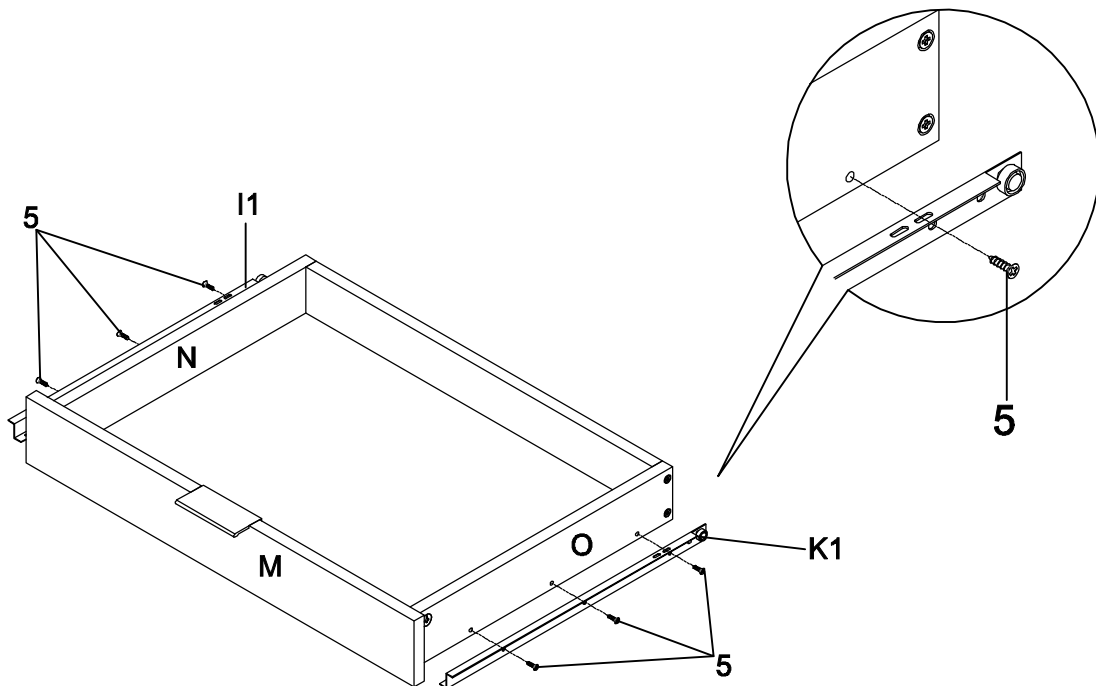


ASSEMBLY INSTRUCTIONS

STEP 11

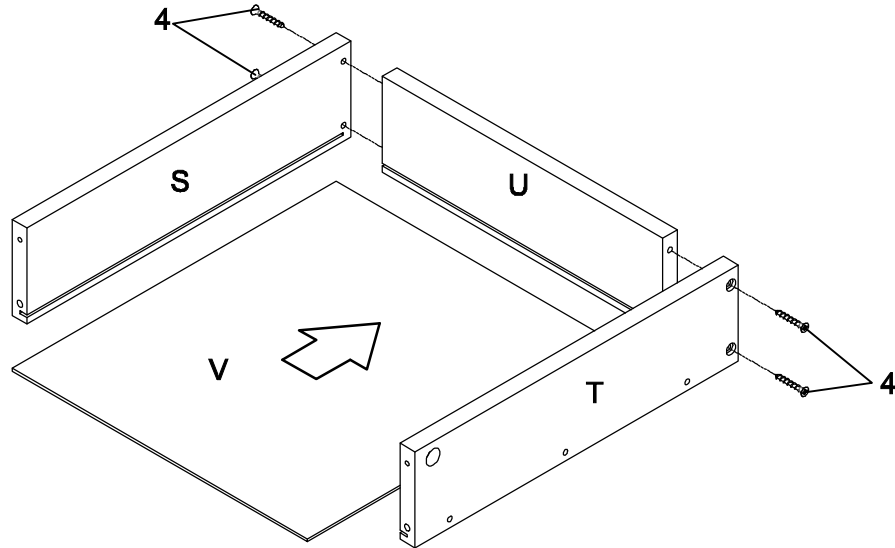


STEP 12

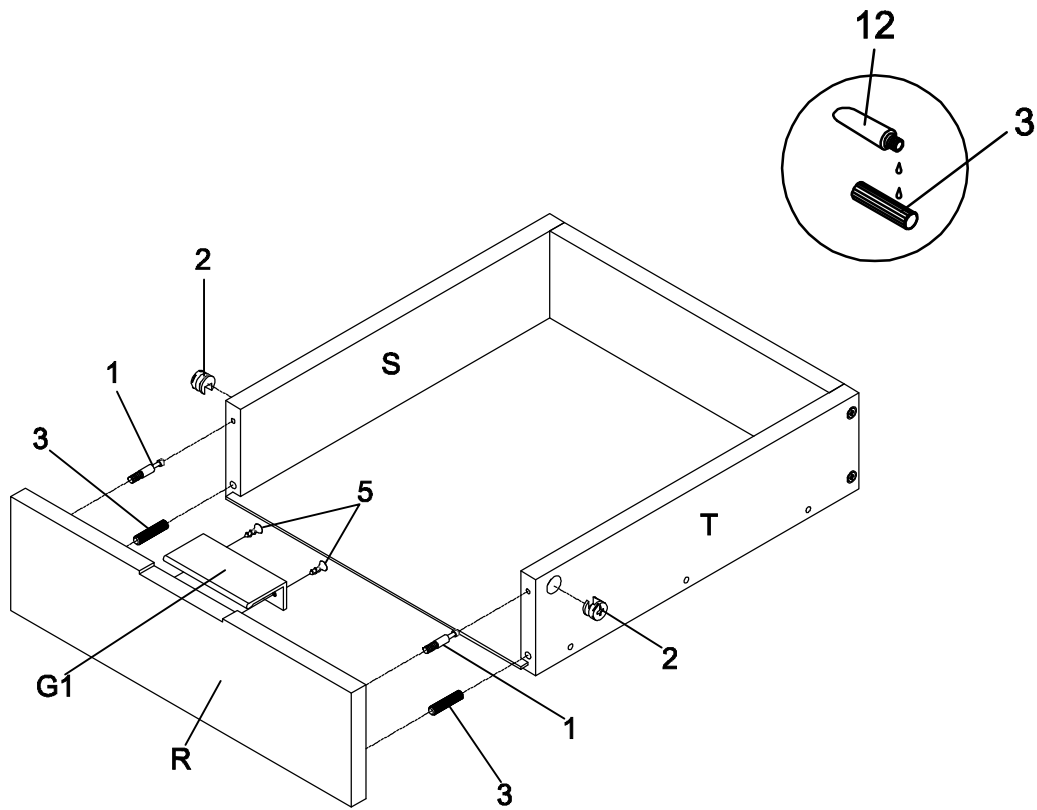


ASSEMBLY INSTRUCTIONS

STEP 13

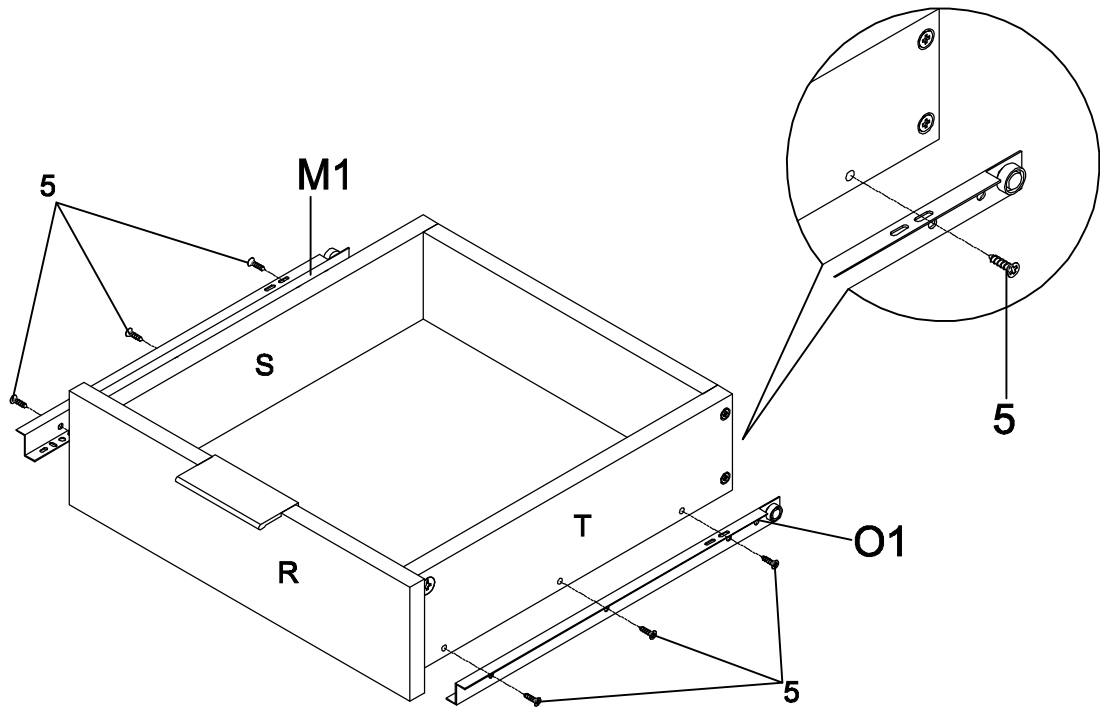


STEP 14

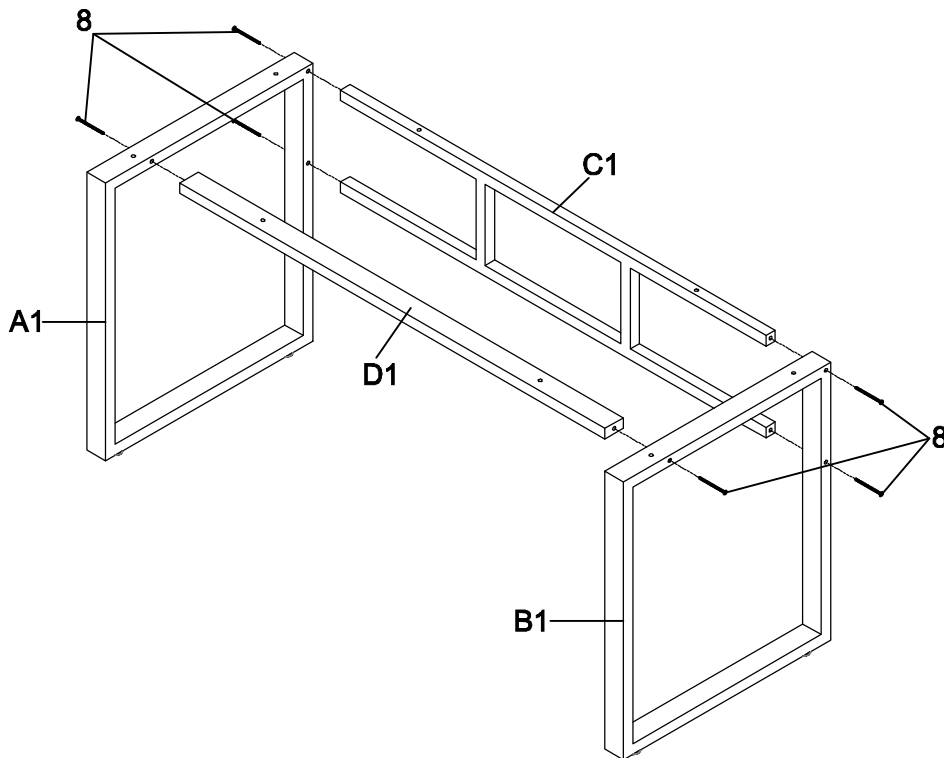


ASSEMBLY INSTRUCTIONS

STEP 15

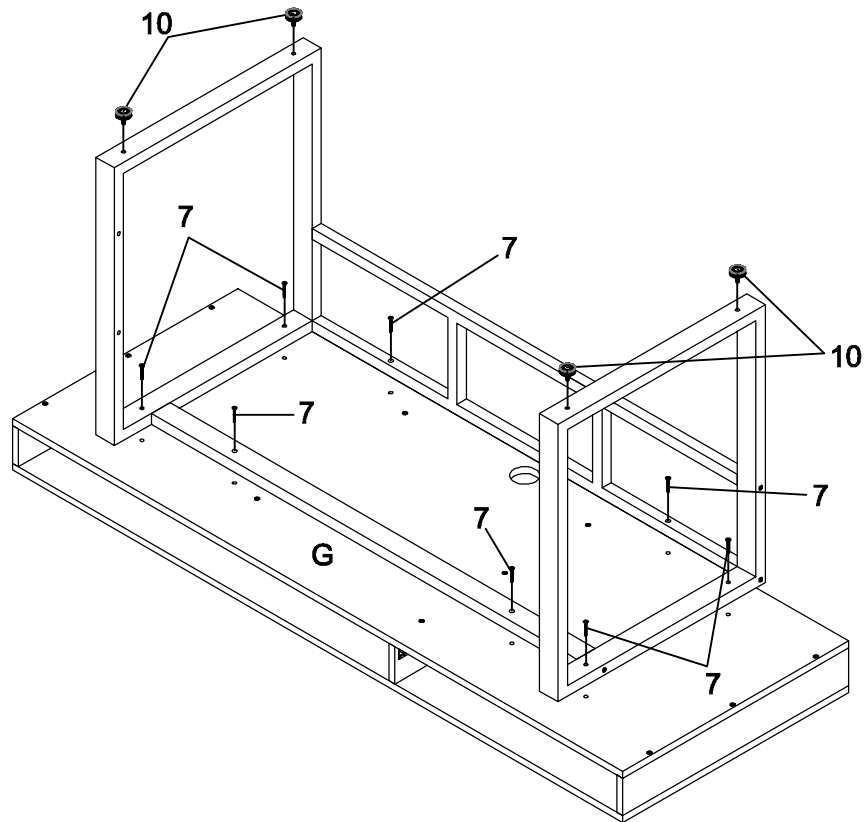


STEP 16

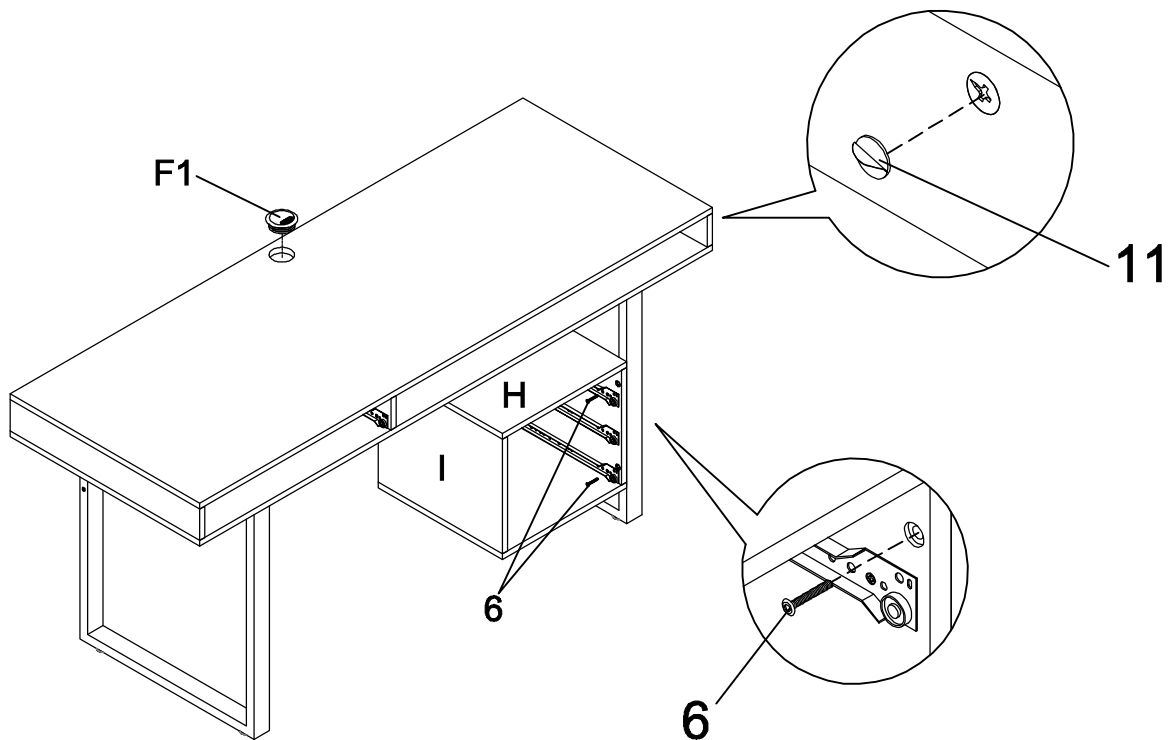


ASSEMBLY INSTRUCTIONS

STEP 17

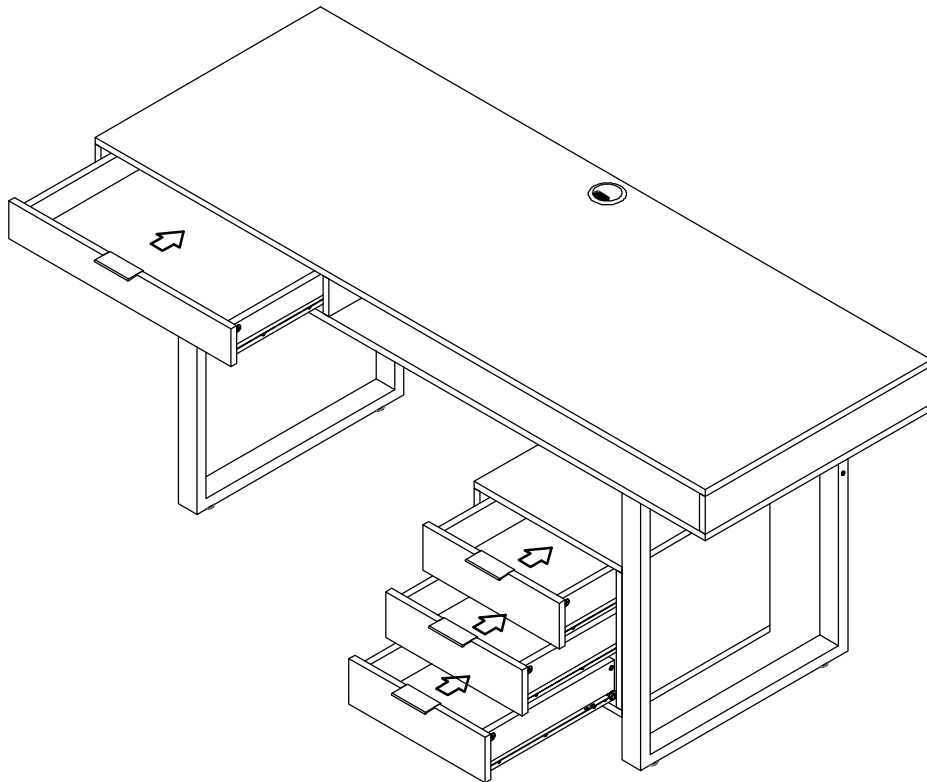


STEP 18

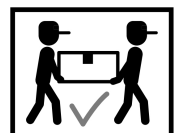
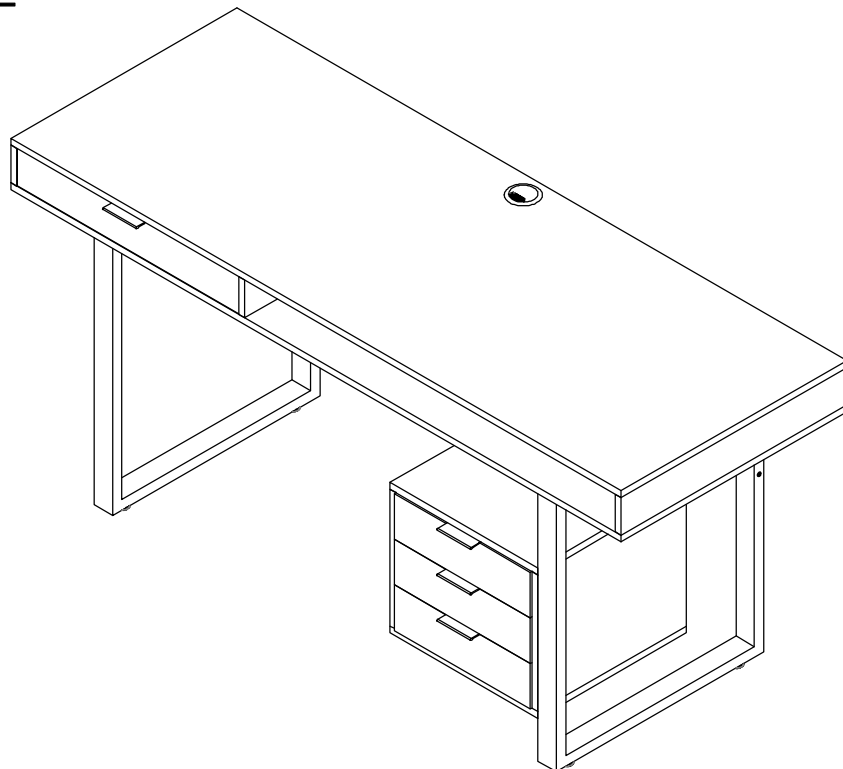


ASSEMBLY INSTRUCTIONS

STEP 19



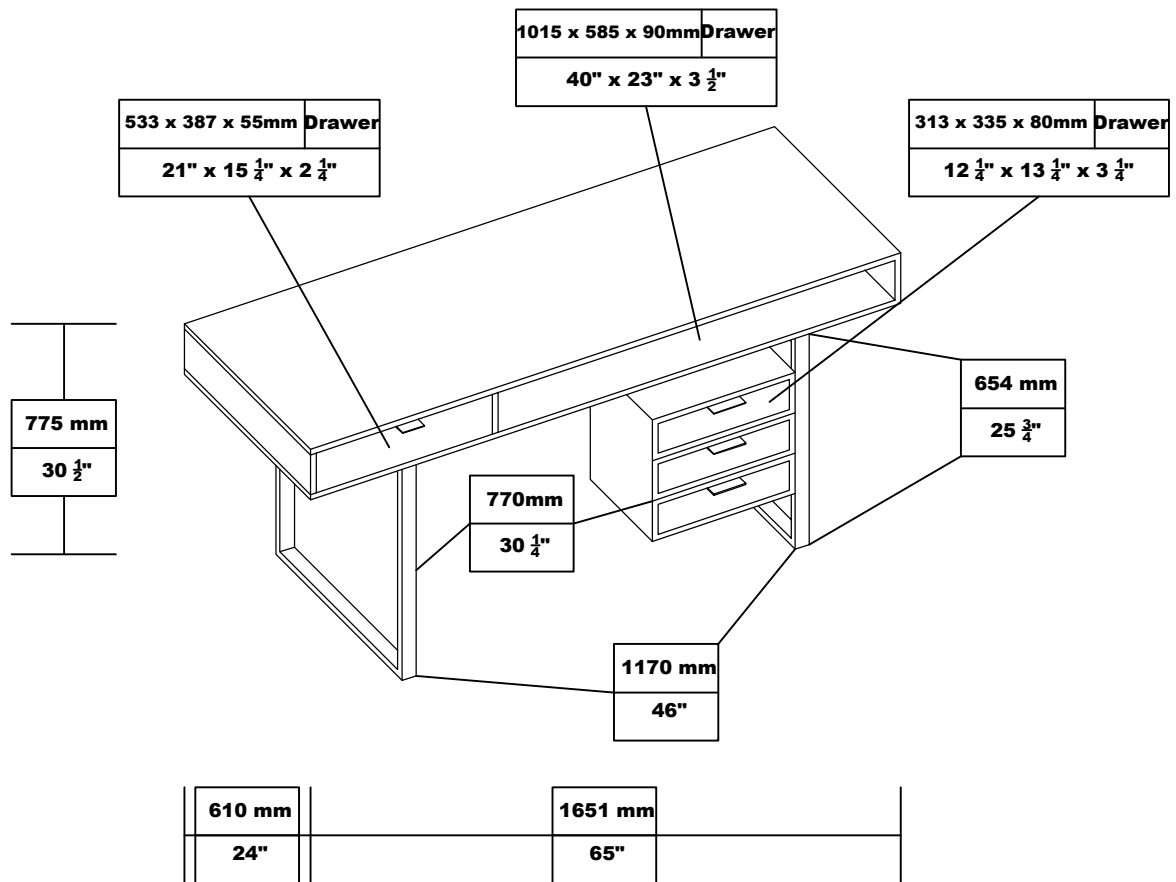
STEP 20 COMPLETE



ASSEMBLY INSTRUCTIONS

Product Size : 1651 X 610 X 775 H (MM)

Product Size : 65" X 24" X 30 1/2"



Note : Dimension tolerance $\pm 5\%$