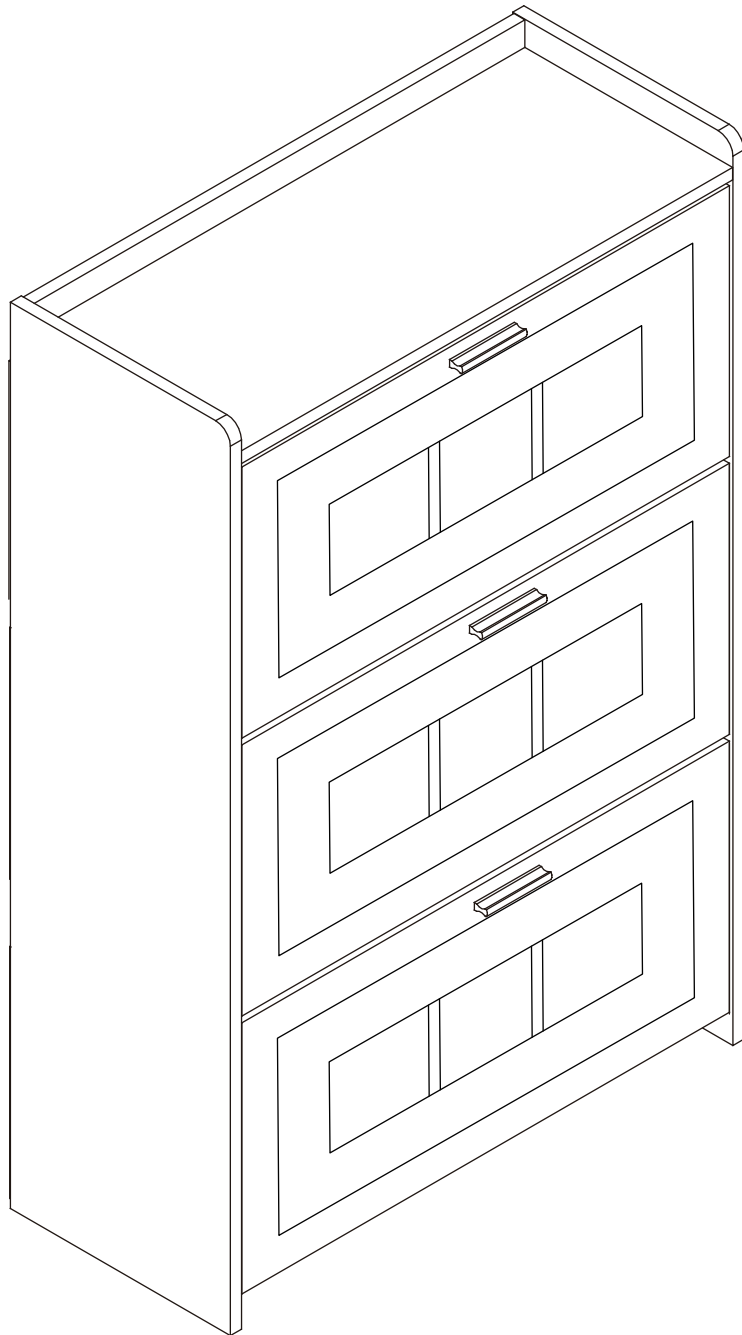


Shoe Cabinet

Assembly Instructions - Please keep for future reference



Dimensions

Width-27.6inch

Depth-11.8inch

Height-47.2inch

Important – Please read these instructions fully before starting assembly



Safety and Care Advice

Important – Please read these instructions fully before starting assembly

- Check you have all the components and tools listed on the following pages.
- Remove all fittings from the plastic bags and separate them into their groups.
- Keep children and animals away from the work area, small parts could choke if swallowed.
- Make sure you have enough space to layout the parts before starting.

- During assembly do not stand or put weight on the product, this could cause damage.
- Assemble the item as close to its final position (in the same room) as possible.
- Assemble on a soft level surface to avoid damaging the unit or your floor.
- Parts of the assembly will be easier with 2 people.



- To reduce the likelihood of damaging your product please ensure that your power drill is set on a low torque setting.

Care and maintenance

- Only clean using a damp cloth and mild detergent, do not use bleach or abrasive cleaners.
- From time to time check that there are no loose screws on this unit.
- This product should not be discarded with household waste. Take to your local authority waste disposal centre.

Handy Hints

- Assemble all parts and bolts loosely during assembly, only once the product is complete should you fully tighten the bolts
- Regularly check and ensure that all bolts and fittings are tightened properly.

WARNING In order to help prevent overturning – please follow these instructions

To help prevent product toppling over please follow the below steps:-

- Use the anti tip stap or wall fixing method provided (if applicable)
- Do not allow children to climb or hang on the furniture
- Do not open more than one drawer at a time
- Do not place heavy items in the top drawers
- Do not place heavy items on top of the furniture, unless the furniture has been designed for this purpose

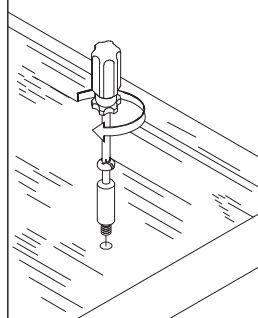
Using Camlocks

Step 1

Connect the male camlock as directed in the assembly instructions using a screwdriver.

1

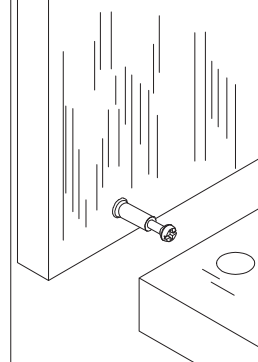
DO NOT OVER TIGHTEN.
NE PAS SERRER EXCESSIVEMENT.



Step 2

Push the male camlock into the entry hole.

2

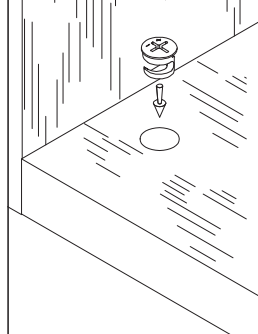


Step 3

Insert the female camlock as shown in the instruction.

Note: ensure that the arrow on the top of the camlock points towards the entry hole for the male camlock.

3



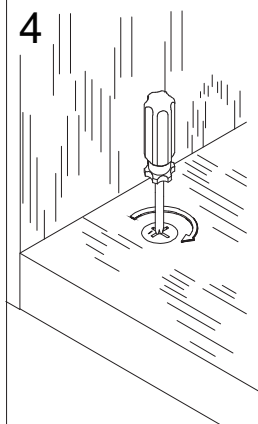
Step 4

Turn the female camlock clockwise with a screwdriver.

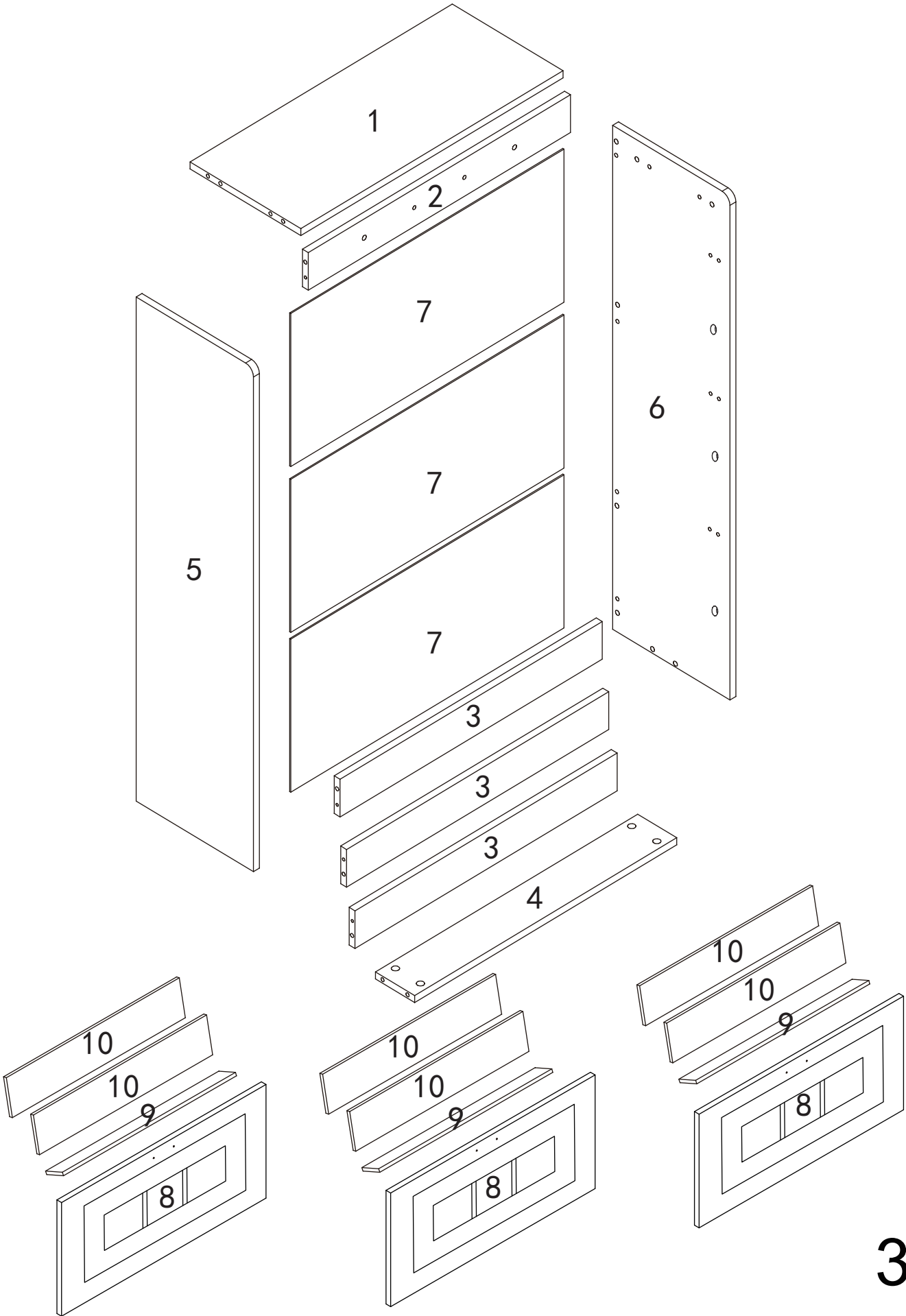
You should feel a click when the camlock is locked in place.

The joint is now secure.

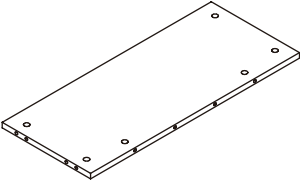
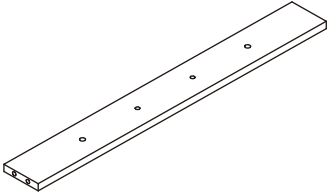
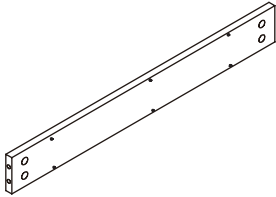
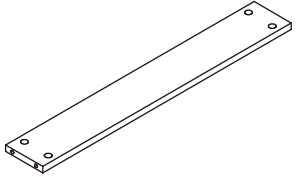
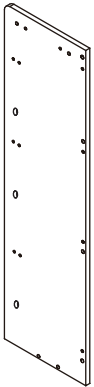
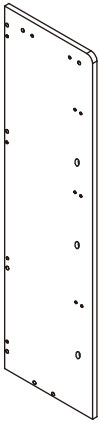
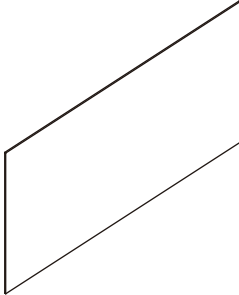
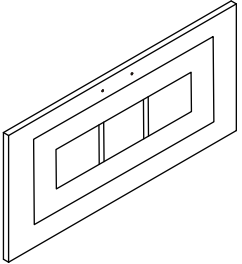
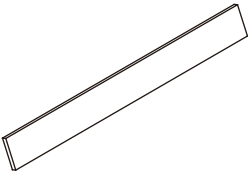
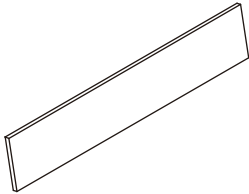
4



Assembly Instructions



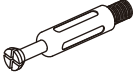

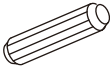
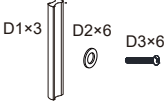
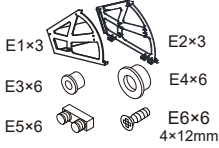
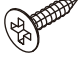
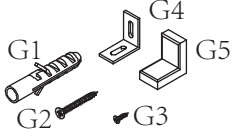
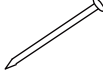

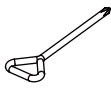
Assembly Instructions

			
① x 1	② x 1	③ x 3	④ x 1
			
⑤ x 1	⑥ x 1	⑦ x 3	⑧ x 3
			
⑨ x 3	⑩ x 6		

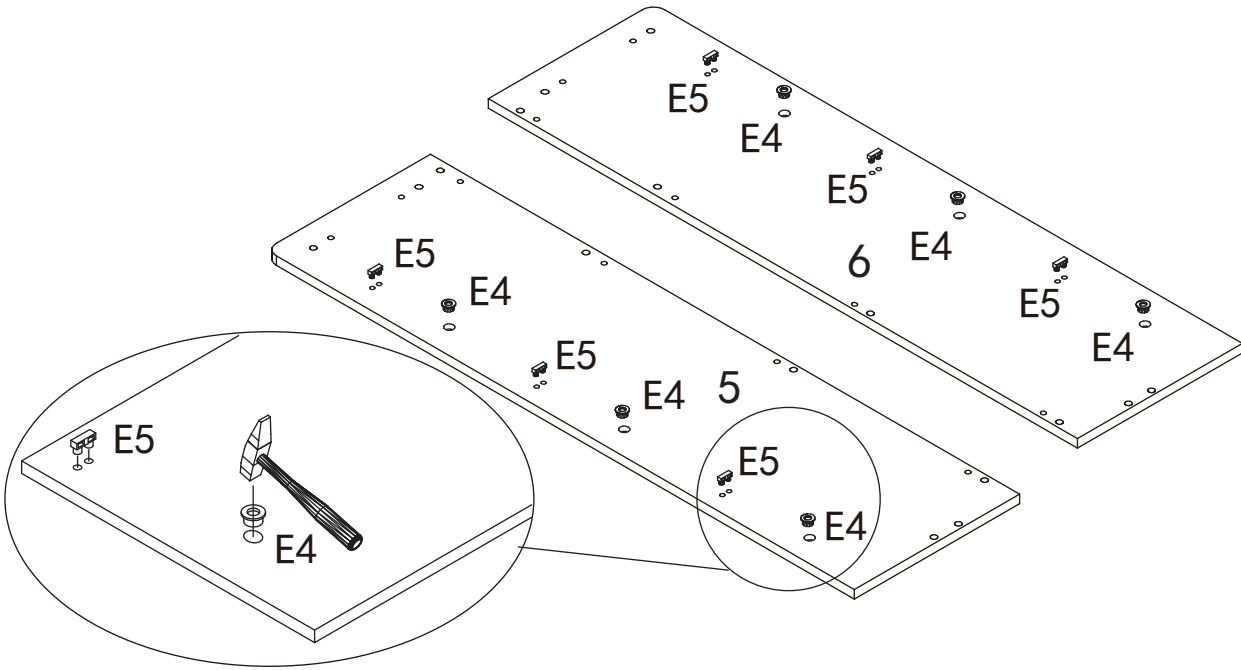
Components-Fittings

Please check you have all the panels listed below

Note: The quantities below are the correct amount to complete the assembly. In some cases more fittings may be supplied than are required.

<p>(A)</p>  <p>Cam Bolt x 18+1</p>	<p>(B)</p>  <p>Cam Lock x 18+1</p>	<p>(C)</p>  <p>8*30mm Dowel x 14+1</p>	<p>(D)</p>  <p>Hole Pitch Handle x 3 set</p>
<p>(E)</p>  <p>Tipping shoe rack x 3 set</p>	<p>(F)</p>  <p>3.5*14mm Screw x 36+2</p>	<p>(G)</p>  <p>Anti dumping x 2 set</p>	<p>(H)</p>  <p>Light Belt x36+3</p>
<p>(J)</p>  <p>felt x 4+1</p>	<p>(K)</p>  <p>Screwdriver x 1</p>		

1.



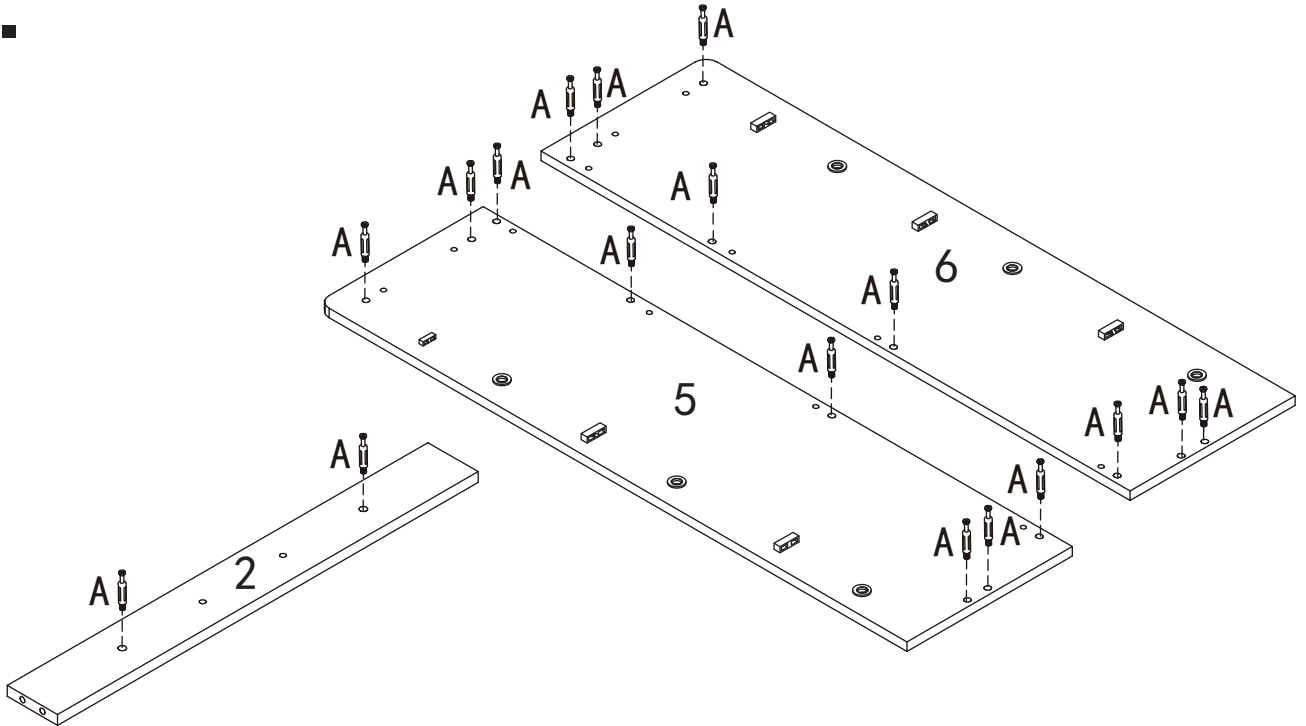
E-E4*6



E-E5*6



2.

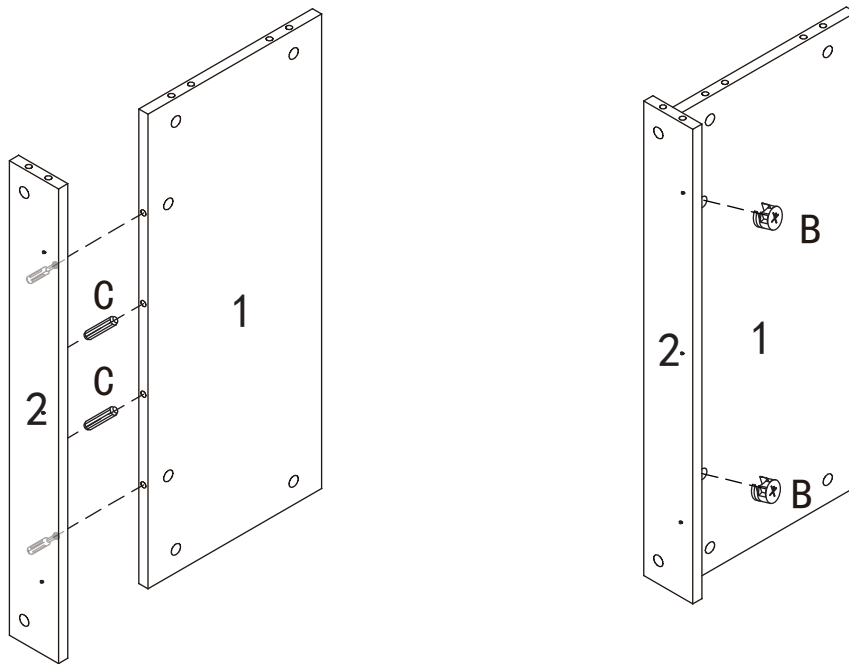




A*18



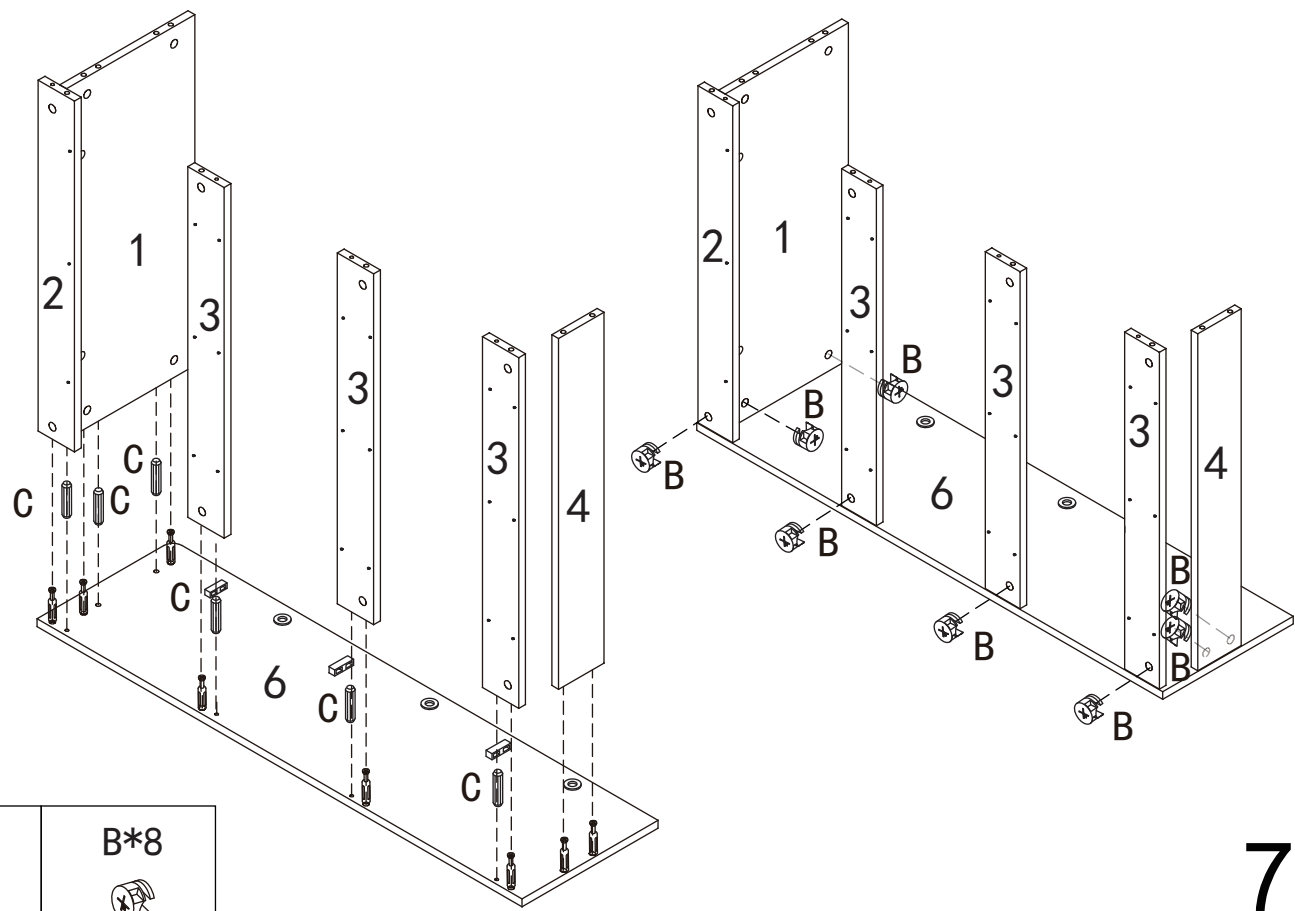
6

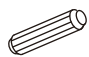

3.



C*2	B*2
	

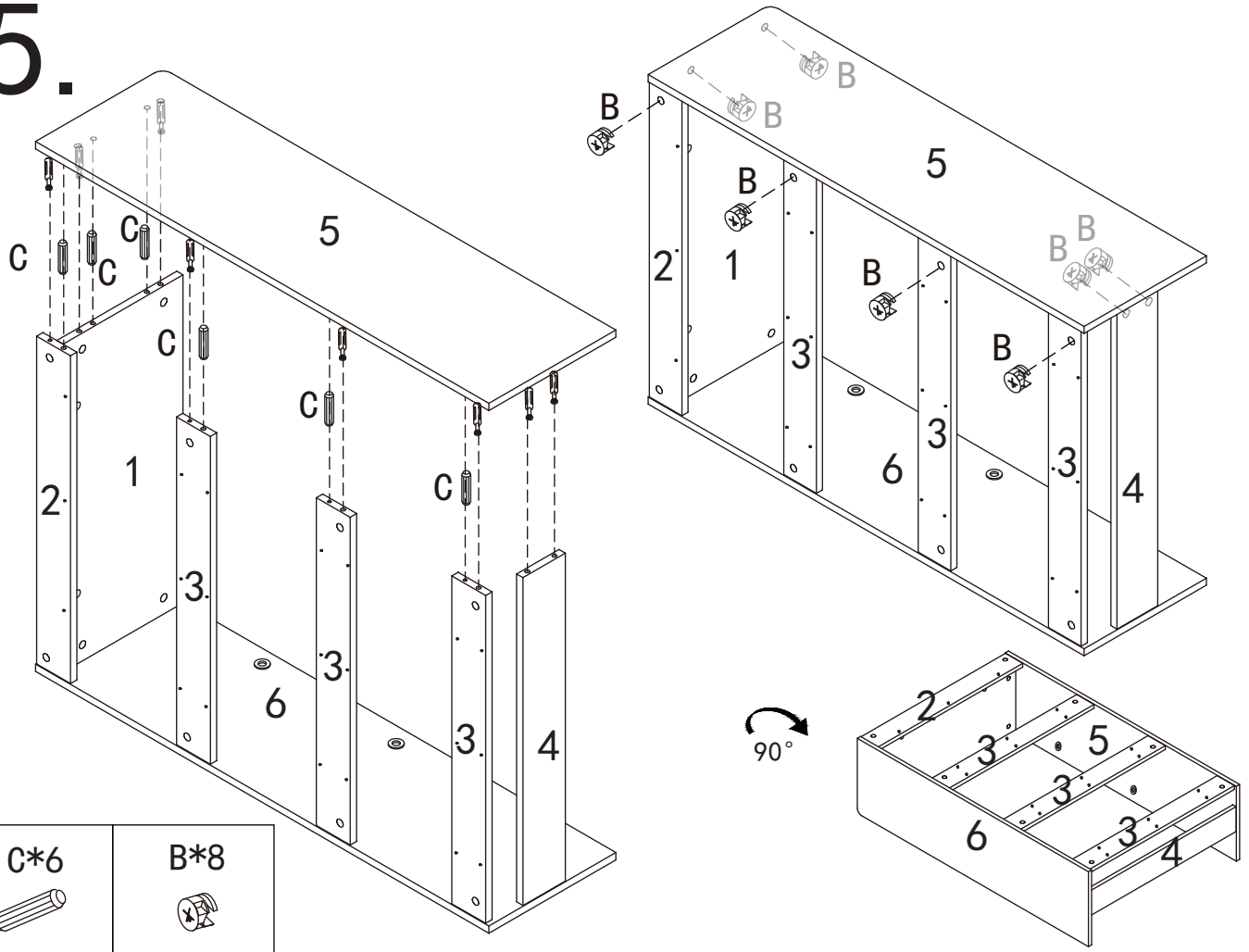
4.



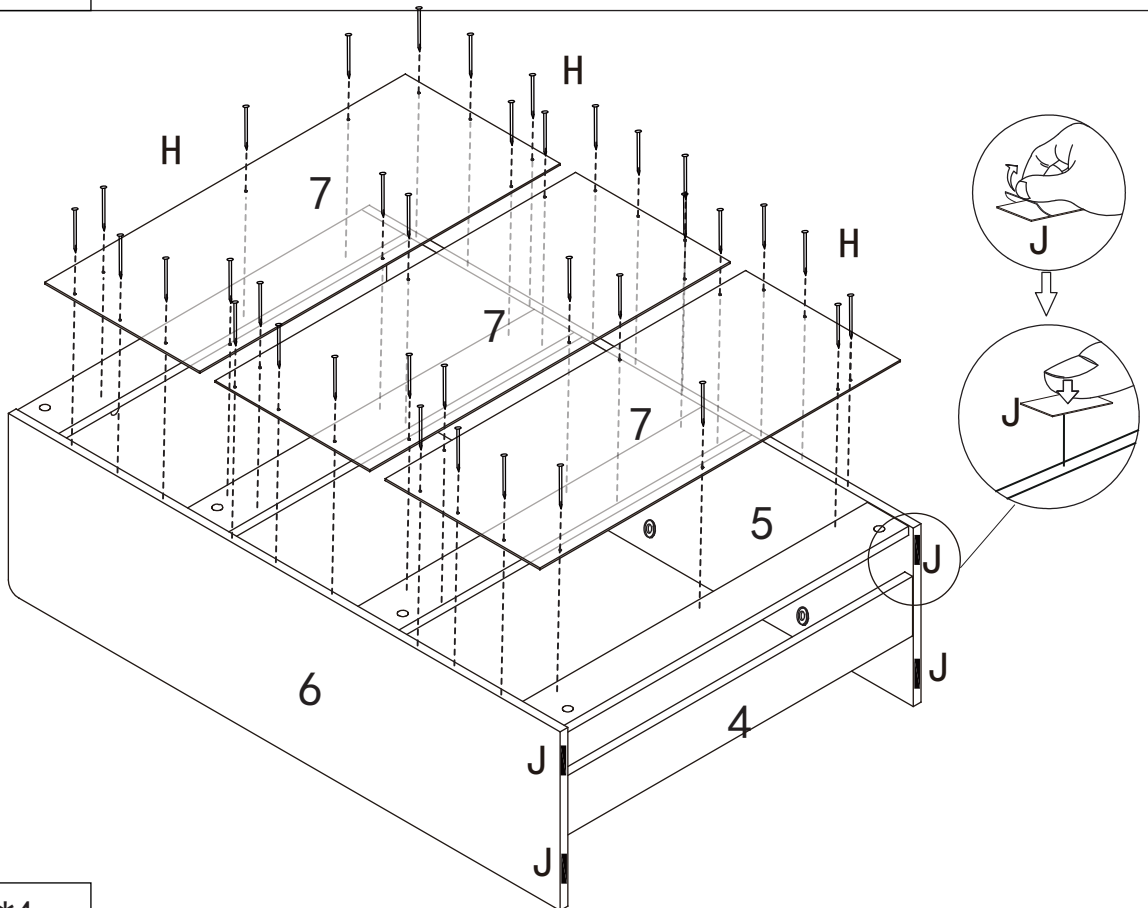
C*6	B*8
	

7

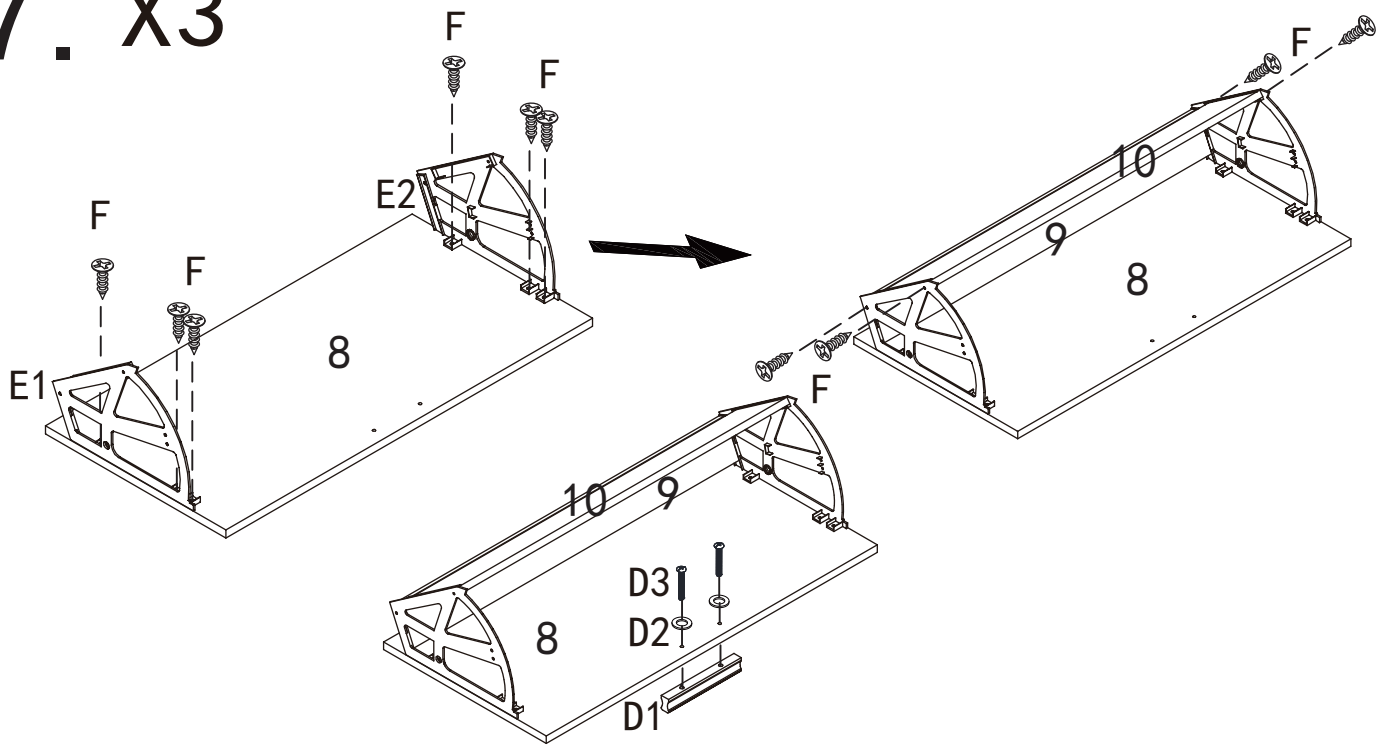
5.



6.



7. X3



F*30



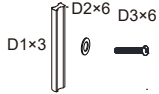
E-E1*3



E-E2*3



D*3



D-D1*3



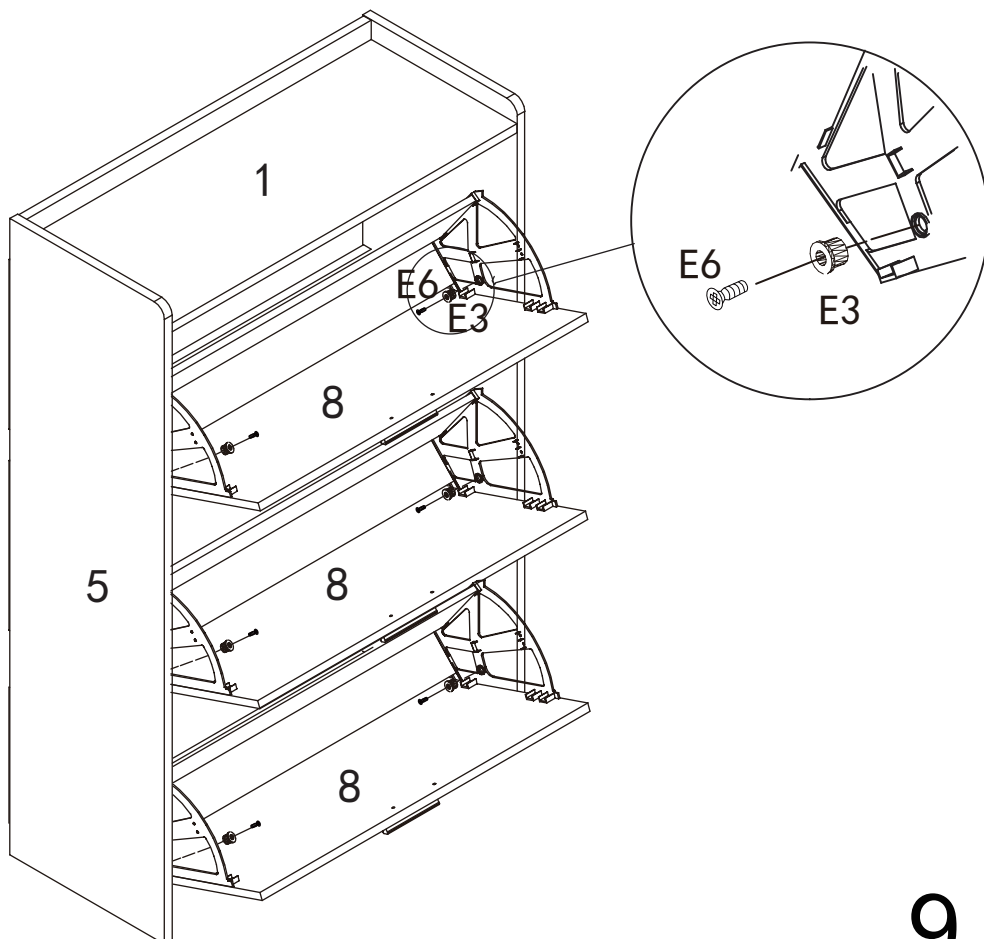
D-D2*6



D-D3*6



8.



E-E6*6

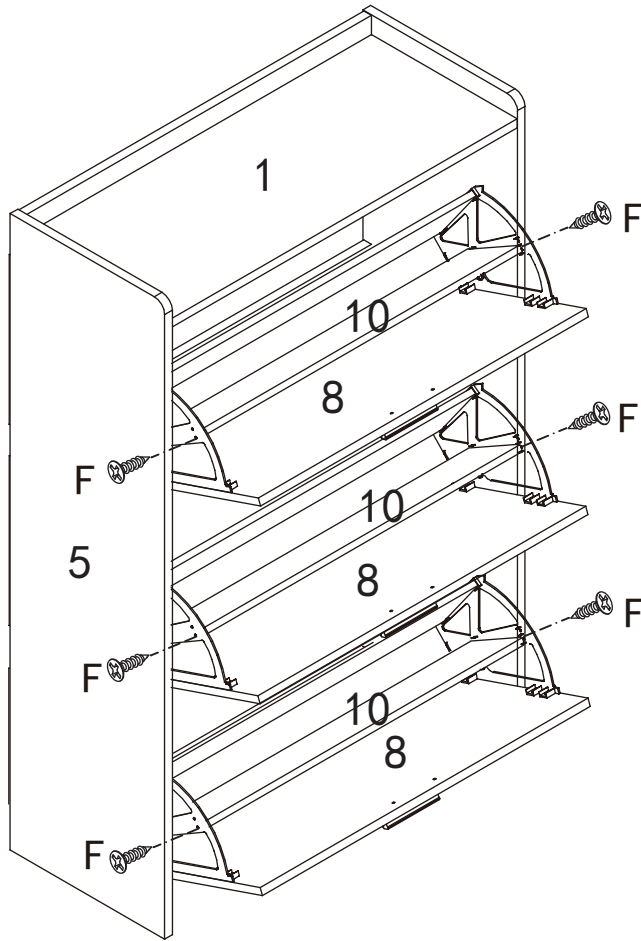


4x12mm

E-E3*6



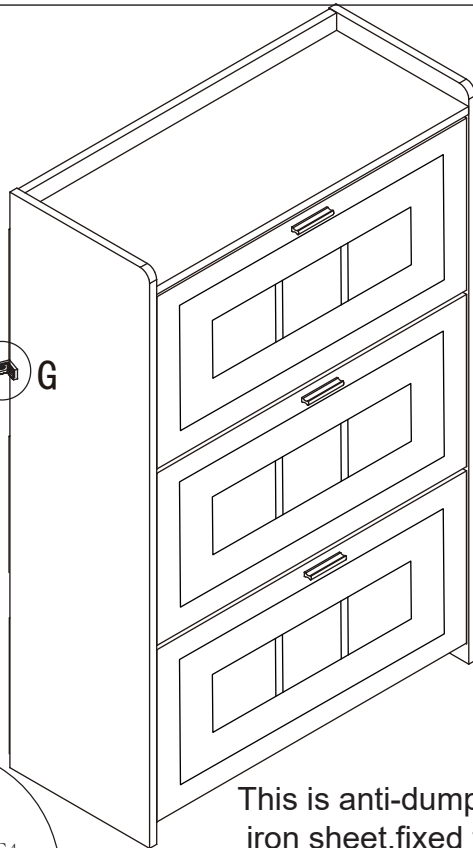
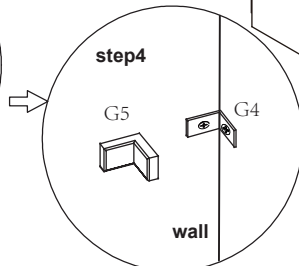
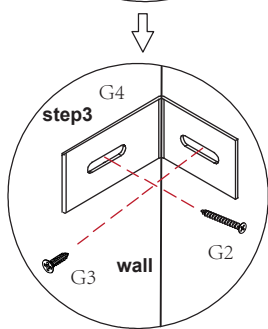
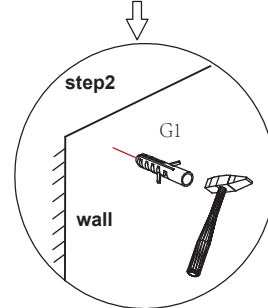
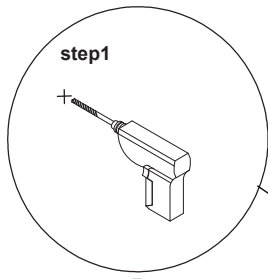
9.



F*6



10.



This is anti-dumping L-type iron sheet, fixed to the wall of the product, can be required to change the installation location

10

G*2



11.

